

# ***GENERAL PURPOSE ENGINE***

GX630  
GX660  
GX690

**PARTS CATALOGUE**

**1**



GX630



GX690



GX660

---

FOREWORD INDEX

**1**

---

ENGINE GROUP

**2**

---

PART NUMBER INDEX

**3**

---

PART NAME INDEX

**4**

---



**Instruction for use of parts catalogue**

- **This parts catalogue was prepared based on the latest information available as of July 01, 2009.**
- See the parts catalogue news for any revision that is made after July 01, 2009.
- **Always specify the part number when ordering a part.**
- Check the model, type, serial numbers, color, maker, and the size as needed before ordering a part.
- Note that the illustrations (part drawings) can differ from the actual parts in shape. They are given just to help you to refer to the parts.
- **When modifications or additions to this parts catalogue are made, a revised edition will be issued at an appropriate time, with successively progressing revision numbers on the cover. We recommend obtaining such revisions in order to keep your parts catalogue up-to-date at all times. To check whether a parts catalogue revision has been issued, please contact your Honda distributor.**

Initial version issue date July 01, 2009  
**Honda Motor Co., Ltd.**

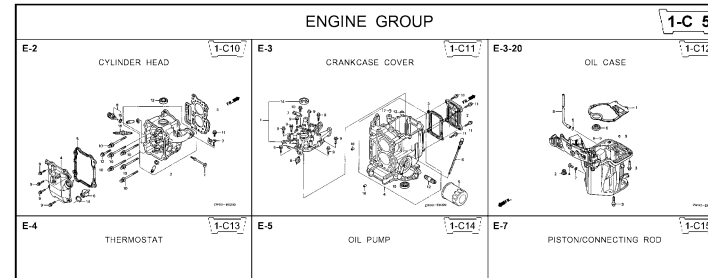
**CONTENTS**

	Page	Address No.	
● Instruction for use of parts catalogue .....	1	B 1	<b>1</b>
● How to refer to the part information .....	2	B 2	
● Part catalogue structure .....	3	B 3	
● When the parts were revised .....	4	B 4	
● Abbreviations used in the parts catalogue .....	4	B 4	
● How to check the part block and serial numbers .....	5	B 5	
● Models, parts catalogue codes and applicable serial numbers .....	6	B 6	
● Features of each type .....	7	B 7	
● Fuel hose, general purpose hoses and vinyl hose .....	8	B 8	
● FLAT RATE SERVICE TIME .....	9	B 9	
● Illustrated index .....	14	B14	
● ENGINE GROUP .....	17	C 1	<b>2</b>
● PART NO. INDEX .....	48	E 1	<b>3</b>
● PART NAME INDEX .....	50	F 1	<b>4</b>



How to refer to the part information

A Reference with "Illustrated index"



B Reference with "Part number index"

PART NO. INDEX					
Part Number	Address	Page	Ref.	Part Number	Address Page
06000				15212-ZW9-000	1-C14 3C
06316-ZW9-000	1-G9	88	1	15220-ZW9-003	1-C14 3C
11000				15332-ZW9-000	1-E8 55
11300-ZW9-405	1-C11	27	1	15332-ZW9-A30	1-E11 5E
11300-ZW9-406	1-C11	27	1	15400-PF8-004	1-C11 27
11340-ZW9-000	1-C11	27	2	15422-ZW9-000	1-C14 3C
11342-ZW9-000	1-C11	27	3	15473-881-000	1-C14 3C
11381-ZW9-003	1-C12	28	1	15474-ZW9-000	1-C14 3C
				15611-921-000	1-C10 2E
				15655-ZW9-000	1-C11 27
				16000	
12000				16010-ZV4-005	1-D4 3E
12000-ZW9-405ZA	1-C11	27	4	16011-ZV4-005	1-D4 3E
12155-ZV4-A00	1-C13	29	1	16013-ZW9-003	1-D4 3E
12166-ZW9-000	1-C10	26	1	16016-ZW9-003	1-D4 3E
12209-GB4-681	1-C16	32	1	16016-ZW9-721	1-D4 3E
12210-ZW9-405ZA	1-C10	26	2	16023-ZW9-003	1-D4 3E
12216-ZE2-300	1-E8	55	1	16024-ZV4-650	1-D4 3E
	1-E11	58	1	16028-ZV4-650	1-D4 3E

Ref. No.	Part No.	Description	Reqd. QTY						Serial No.	Parts catalogue code
			99D1	99D1	1001	1001	1001	1001		
1	12166-ZW9-000	STOPPER, ENGINE SIDE	2	2	2	2	2	2		
2	12210-ZW9-000ZA	HEAD COMP., CYLINDER	1	1	1	1	1	1		
3	12251-ZW9-003	GASKET, CYLINDER HEAD	1	1	1	1	1	1		
4	12310-ZW9-000	COVER COMP., HEAD	1	1	1	1	1	1		
5	12312-ZW9-000	PACKING, HEAD COVER	1	1	1	1	1	1		
6	15611-921-000	CAP, OIL (NO GAUGE)	1	1	1	1	1	1		
7	16617-ZW9-000	HOLDER, CABLE	1	1	1	1	1	1	SC,SG	
	16617-ZW9-010		1	1	1	1	1	1	1001800 LHC,LHD	
			1	1	1	1	1	1	1001801 LHC,LHD	
8	35675-ZW5-003	SENSOR ASSY., WATER	1	1	1	1	1	1		
9	90003-ZW9-000	BOLT, FLANGE, 6X22	1	4	4	4	4	4		
10	90007-ZW9-003	BOLT, FLANGE, 8X83	6	6	6	6	6	6		
11	90011-ZW9-000	BOLT, FLANGE, 6X14(CT200)	1	1	1	1	1	1		
12	90020-ZW9-000	BOLT, FLANGE, 8X40	2	2	2	2	2	2		
13	91202-KJ9-003	OIL SEAL, 20X32X6	1	1	1	1	1	1		
14	91301-805-000	O-RING, 26X2.7	1	1	1	1	1	1		
15	91307-PK2-005	O-RING, 9.5X1.5(HONDA KIKAKI)	1	1	1	1	1	1		
16	98059-55916	PLUG, SPARK (CR5EH-9)	2	2	2	2	2	2		
	98059-55926	PLUG, SPARK (U16FER9)	2	2	2	2	2	2		

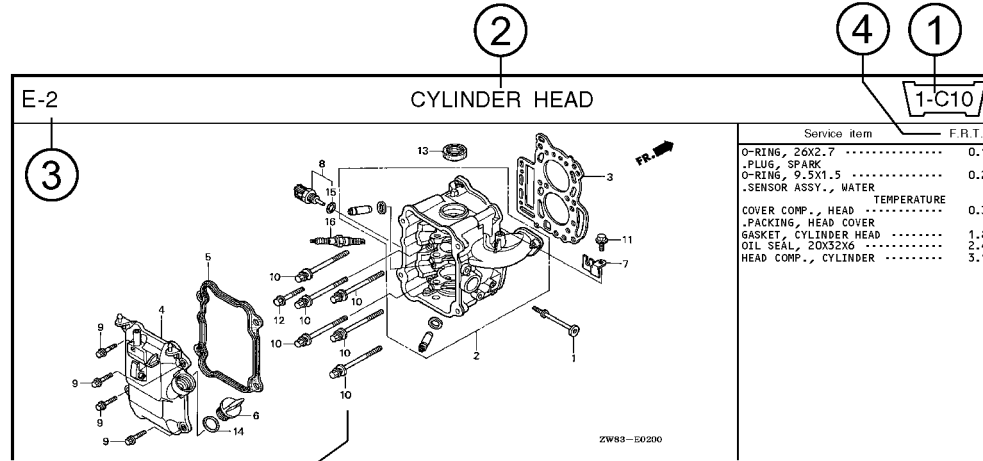
C Reference with "Part name index"

PART NAME INDEX					
Part name	Address	Page	Ref.		
[ A ]				BOLT,	
ABSORBER , FUEL	1-E15	62	5	BOLT,	
ARMATURE COMP.	1-D11	43	7	BOLT,	
ARM COMP. , LINK JOINT	1-G6	85	18	BOLT,	
ARM COMP. , SHIFT LINK	1-G6	85	14	BOLT,	
ARM COMP. , TILT	1-F15	79	20		
ARM , FUEL PUMP ROCKER	1-C16	32	4		
ARM , REVERSE LOCK	1-F15	79	18		
ARM , SHIFT LINK	1-F11	74	7		
ARM , STOPPER	1-D1	33	12	BOLT,	
ARM , THROTTLE REMOTE	1-F11	74	6		
ARM , VALVE ROCKER	1-C16	32	3		
[ B ]					
BAG , TOOL , 160MM	1-G5	84	10		
BAND	1-G6	86	37		
BAND B1 , WIRE	1-F6	69	1		
BAND , CORD	1-F3	67	18	BOLT,	
BAND , TUBE CLIP , 11MM	1-E15	63	20		
BAND , TUBE CLIP , 12.5MM	1-E15	63	19	BOLT,	

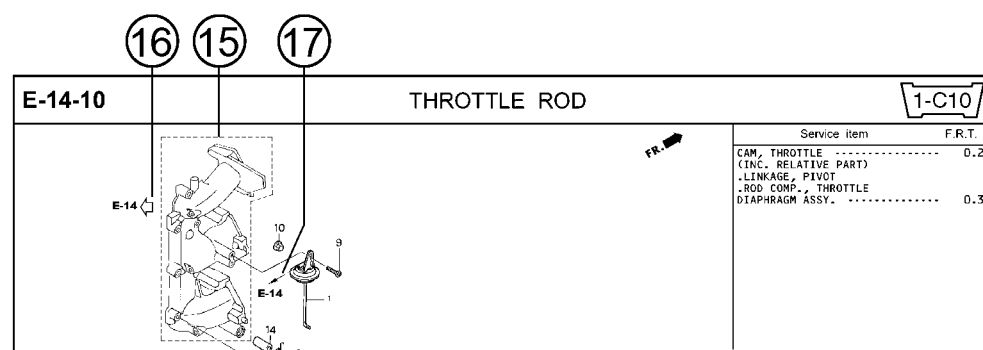
Page No.

2009.09.20 E

**Part catalogue structure**



Ref. No.	Part No.	Description	Reqd. QTY						Serial No.	Parts catalogue code
			BF 9/9D1	BFP 9/9D1	BF 10D1	BFP 10D1	BF 10B1	BFP 10B1		
1	12166-ZW9-000	STOPPER, ENGINE SIDE	2	2	2	2	2	2		
2	12210-ZW9-000ZA	HEAD COMP., CYLINDER *NHS* ..... DARK GRAY	1	1	1	1	1	1		
3	12251-ZW9-003	GASKET, CYLINDER HEAD	1	1	1	1	1	1		
4	12310-ZW9-000	COVER COMP., HEAD	1	1	1	1	1	1		
5	12312-ZW9-000	PACKING, HEAD COVER	1	1	1	1	1	1		
6	15611-921-000	CAP, OIL (NO GAUGE)	1	1	1	1	1	1		
7	16617-ZW9-000	HOLDER, CABLE	1	1	1	1	1	1	SC,SG	
	16617-ZW9-010		1	1	1	1	1	1	1001800 LHC,LHD	



- ① **Address number**
  - Address No. is provided (in place of the page No.) to help you refer to the part with the part No. or part name.
- ② **Block title** ③ **Block number**
- ④ **Service item/Flat rate time**
- ⑤ **Reference number**
  - Title number marked with the parenthesis or parentheses indicates that it continues from the previous page.
- ⑥ **Part number** ⑦ **Honda color code**
- ⑧ **Description**
- ⑨ **Assemblies**
  - Sections framed with broken lines in the exploded view drawings are available as complete assemblies. (Their individual parts can also be obtained.)
- ⑩ **Color description**
- ⑪ **Note**
  - Notes are shown with the parentheses in the part name column.
- ⑫ **Required quantity**
  - Required QTY shown in the parenthesis or parentheses indicates the optional part.
  - Required QTY marked with "N" Indicates the optional part that should be selected as needed.
  - Required QTY indicates the number of the part used in the block.
- ⑬ **Serial number**
- ⑭ **Type**
  - When the type column is blank, it indicates that the part is applicable to all types.
  - As the type of the actual unit may differ from the "parts catalogue, type" please refer to "Models, types and applicable serial numbers" for confirmation.
- ⑮ **[Dotted box]**
  - Parts enclosed within a dotted line [ ] are covered in a different block.
- ⑯ **[Hollow arrow]**
  - A hollow arrow [ ] indicates the block No. for the parts enclosed within a dotted line [ ] .
- ⑰ **[Solid arrow]**
  - A solid arrow [ ] indicates the block No. the part in question is connected to.

When the parts were revised

Abbreviations used in the parts catalogue

1



Be sure to check the serial number!!



Ref. No.	Part No.	Description	Reqd. QTY						Serial No.
			BF 99D1	BFP 9.9D1	BF 10D1	BFP 10D1	BF 10B1	BFP 10B1	
1	12166-ZW9-000	STOPPER, ENGINE SIDE .....	2	2	2	2	2	2	
2	12210-ZW9-000ZA	HEAD COMP., CYLINDER *NHS* .....	1	1	1	1	1	1	
3	12251-ZW9-003	GASKET, CYLINDER HEAD .....	1	1	1	1	1	1	
4	12310-ZW9-000	COVER COMP., HEAD .....	1	1	1	1	1	1	
5	12312-ZW9-000	PACKING, HEAD COVER .....	1	1	1	1	1	1	
6	15611-921-000	CAP, OIL (NO GAUGE) .....	1	1	1	1	1	1	
7	16617-ZW9-000	HOLDER, CABLE (###) .....	1	1	1	1	1	1	SC, SG LHC, LHD LHC, LHD
	16617-ZW9-010	.....	1	1	1	1	1	1	

The number has been used from the initial model without revision.

When shown at the left side, it is applicable to the models of No.1001801 and the subsequent numbers.

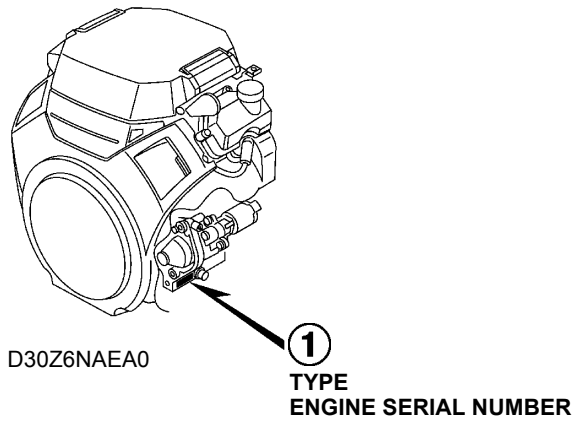
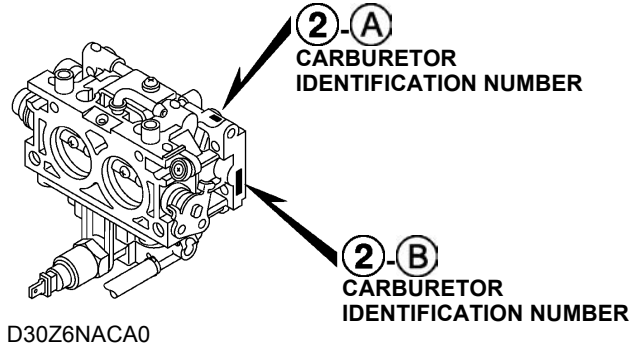
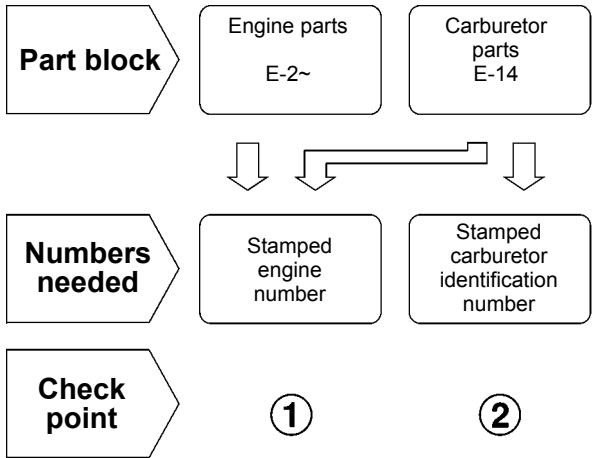
When shown at the right side, it is applicable to the models up to No.1001800.

• The parts listed with "###" at the end of the parts name have limited supply period (parts not for sale).

• The following abbreviations are used in the parts name column.

- |  |                             |
|--|-----------------------------|
| A ..... Ampere                               | FR. ....Front               |
| A.C. .... Alternating current                | IN. ....Inlet               |
| ASSY. .... Assembly                          | L (100L) .Link (100 Links)  |
| AT. .... Automatic transmission              | L. ....Left                 |
| C.D.I. .... Capacitive discharge ignition    | MM .....Millimeter          |
| COMP. ... Complete                           | MT. ....Manual Transmission |
| D.C. .... Direct current                     | P.T.O. ....Power take off   |
| EX. .... Exhaust                             | R. ....Right                |
| G.F.C.I ... Ground fault circuit interruptor | RR. ....Rear                |
| HEX. .... Hexagonal                          | STD. ....Standard           |
| H.S.T. .... Hydrostatic transmission         | T (22T) ...Tooth (22 Teeth) |
|  | V .....Volt                 |
|  | W .....Watt                 |

How to check the part block and serial numbers





### Models, parts catalogue codes and applicable serial numbers

- Models, parts catalogue codes and applicable serial Nos. given in this parts catalogue can be identified as follows.

Model	Type	Parts catalogue type	Applicable engine serial No.	Applicable carburetor identification No.
GX630	QKW1	QKW1	GCBBK-1000001~	BK07A A
	QWD	QWD		
	QWF	QWF		
	SAE1	SAE1		
	VZE1	VZE1		
	VZE8	VZE8		
GX660	TAF5	TAF5	GCBCK-1000001~	BK06A A
	TXF3	TXF3		
	VAY	VAY		
GX690	TAF5	TAF5	GCBDK-1000001~	BK05A A
	TXF3	TXF3		
	VAY	VAY		

\* Of carburetor identification numbers, only the portions underlined in the example below are used for registration.

BK 07A A KC ナ  
 (A) (B)

Features of each type

• See the following table for the features of each type. (Items in brackets are optional)

Specifications		Model	GX630					GX660			GX690		
		Type	QKW1	QWD	QWF	SAE1	VZE1	VZE8	TAF5	TXF3	VAY	TAF5	TXF3
Crankshaft	25.4 mm Ø Straight (L=138)		●	●	●								
	28.575 mm Ø Straight (L=162)							●	●		●	●	
	5/16" Tapered					●				●			●
	25 mm Ø Straight (L=129)				●								
	M10 Tapered						●						
Muffler	High-R	(●)		●		(●)	(●)			(●)			(●)
	High-L	(●)			●	(●)	(●)	●	●	(●)	●	●	(●)
	Side mount		●										
Spark arrester		(●)				(●)	(●)			(●)			(●)
Control box			●			●			●	●		●	●

## Fuel hose, general purpose hoses and vinyl hose

- The standard part fuel hose, general purpose hose and vinyl hose may be substituted by the coiled bulk part.
- When ordering the standard part fuel hose, general purpose hose and vinyl hose use the bulk part number written in the parts catalog in brackets ( ) underneath the part name.
- When exchanging the hose, cut and use at the specified length as mentioned in the part name.  
(For the method of cutting the bulk part, and method of filling out orders etc., please refer to the instructions issued with the bulk part.)

### Bulk part number of fuel hose, general purpose hose and vinyl hose.

Example: 9 5 0 0 1 - 7 5 0 0 1 - 5 0 M

**Bulk part number:**

Refers to the bulk part.

**Marking code (fuel hose and general purpose hose)**

**Change code (Vinyl hose)**

Indicates number mark or change sequence, however, the code for the bulk part must be strictly 0 (zero).

**Types of code:**

- |             |  |                |  |              |   |
|-------------|--|----------------|--|--------------|---|
| • Fuel hose | 2: Red outside braid<br>(3 mm inside dia. only)        | • General hose | 1: Ash gray<br>2: Ash gray<br>3: Black<br>5: Black | • Vinyl hose | 1: Clear<br>2: Black<br>3: Light red<br>6: Light red<br>7: Pale black |
|             | 5: Black inside braid                                  |                |  |              |   |
|             | 3: Red (3 mm inside dia. only)                         |                |  |              |   |
|             | 4: Ash gray with red stripe<br>(3 mm inside dia. only) |                |  |              |   |
|             | 6: Black   |                |  |              |   |

**Lengths:**

- 001: 1 m (standard)  
003: 3 m  
008: 8 m } Application or specification of some parts is not settled.

**I.D code: (fuel hose and general purpose hose)**

- |            |                    |                    |                             |                             |
|------------|--------------------|--------------------|-----------------------------|-----------------------------|
| 30: 3.0 mm | 50: 5.0 mm         | 70: 7.0 mm         | 11: 11 mm                   | 12: 12 (outside dia. 17) mm |
| 35: 3.5 mm | 55: 5.3 mm, 5.5 mm | 75: 7.3 mm, 7.5 mm | 91: 12 (outside dia. 15) mm | 14: 14 mm                   |
| 45: 4.5 mm | 65: 6.5 mm         | 80: 8.0 mm         | 92: 12 (outside dia. 16) mm | 17: 17 mm                   |

**ID./OD. code: (vinyl hose)**

- |                         |                          |                           |                           |                           |
|-------------------------|--------------------------|---------------------------|---------------------------|---------------------------|
| 01: ID. 2.9, OD. 6.8 mm | 12: ID. 5.0, OD. 7.0 mm  | 21: ID. 8.0, OD. 9.0 mm   | 37: ID. 11.0, OD. 15.0 mm | 50: ID. 16.0, OD. 19.0 mm |
| 03: ID. 3.0, OD. 6.0 mm | 10: ID. 5.0, OD. 8.0 mm  | 23: ID. 8.0, OD. 12.0 mm  | 38: ID. 12.0, OD. 13.0 mm | 55: ID. 17.5, OD. 20.5 mm |
| 05: ID. 3.5, OD. 6.5 mm | 11: ID. 5.0, OD. 9.0 mm  | 25: ID. 9.0, OD. 11.0 mm  | 39: ID. 12.0, OD. 14.0 mm | 60: ID. 22.0, OD. 27.0 mm |
| 07: ID. 4.0, OD. 7.0 mm | 14: ID. 6.0, OD. 9.0 mm  | 27: ID. 9.0, OD. 13.0 mm  | 40: ID. 12.0, OD. 16.0 mm |                           |
| 08: ID. 4.5, OD. 6.5 mm | 17: ID. 7.0, OD. 9.0 mm  | 33: ID. 10.0, OD. 14.0 mm | 43: ID. 13.0, OD. 15.0 mm |                           |
| 09: ID. 4.5, OD. 8.0 mm | 19: ID. 7.0, OD. 11.0 mm | 36: ID. 11.0, OD. 13.0 mm | 45: ID. 14.0, OD. 18.0 mm |                           |

**Hose type:**

- 1: Fuel hose  
3: Vinyl hose  
5: General hose

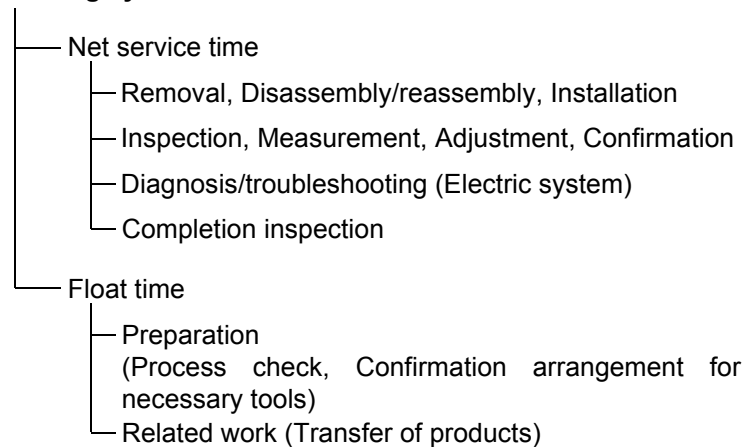
⊙ **CAUTION: It is DANGEROUS to confuse the fuel hose with the general purpose hose or vinyl hose.**

Never use a general purpose hose or vinyl hose in place of a fuel hose or vice versa. Always use the correct bulk part in the parts catalogue, according to the service manual or the instructions issued with the bulk part.

## FLAT RATE SERVICE TIME

Flat rate service time (FRT) means the standard time required to service a product, which is listed in this manual to help the dealers control the actual working process and calculate the service charge by using it as a guide.

### FRT setting system



\* Float time is set by multiplying the net service time by a given coefficient.

### Editorial style

The service items shown in the text are listed with the exchange work time for the repair sales parts as the subject. Other representative service items not using repair parts (removal/installation, adjustment, inspection/measuring, and other work) are listed collectively in the list in the preface, classified according to the work.

### FRT setting standard

- Decimal system (in unit of 0.1) is adopted to set FRT as it is convenient to calculate the wage.  
Example: (0.1) → 6 minutes, (0.2) → 12 minutes  
[Labor cost per hour] x [FRT] = [Wage]
- FRT is set with a hand tool.
- Service items and FRT can be subject to change depending on development of tools and service equipment and improvement in service procedure.

**Work procedure**

- As the work procedure is set with the work time according to the method in the separate Service Manual, refer to this Manual as required.
- Work methods permitting servicing in the shortest time still permitting assurance of safe work and product warranty are used for the setting of service items not listed in the Service Manual.
- Work basically is to be performed by one person, and when two or more people are required, setting is done as the total time for the number of people.
- The set value for the technological level of the workers uses a person with three years of experience in the repair of Honda products as the standard.
- Special tools and service equipment used to set FRT are those specified or recommended in Service Manual.

**Service item whose FRT is not presented**

- Accessories and service parts that are not listed to use in this manual.
  - Locations with little aging deterioration or breakage during normal use.
  - Service work that can be finished by one touch.
  - Service work that is seldom done (i.e. extremely small causes of trouble and service frequency).
  - Products and parts whose location for installation differs according to its status of use and application.
- \* When FRT is not presented, please calculate wages based on appropriate actual work time.

**Operation not included of FRT**

- Oil and coolant water draining, Waiting time for warming up operation and etc..
- Additional operation that involves removal/installation of standard exterior equipment.
- Indirect time spent for service by visiting the customer, trade-in, and delivery.
- Indirect time required for ordering and delivery of parts.
- Cost for grease, adhesive agent, etc. used for service work.

**Explanation of FRT by using an example  
(The example may differ from the actual presented items)**

Ref. No.	L.O.N.	(Relative ref. Number) Description	F.R.T.
①	1111L1	④ (1, 3, 4, 7) VALVE, INTAKE .....4.1	②
②		• NOTE: OHV type ⑥	⑦
③	1111L1A	• Includes: Engine removal and installation	
		One head (intake all) add .....1.4 ⑤	

- ① Reference No. of the illustration of part that shows location of the replacement work.
- ② FRT is an abbreviation of Flat Rate Time indicating the standard service time required for the replacement.
- ③ LON is an abbreviation of Labor Operation Number, and it is a classification of the service items by the work unit code.

The same operation code is used regardless of the models.

Standard operation is indicated with 6 digits code, and additional operation is indicated with 7 digits code.

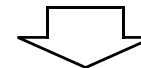
- ④ Indicating the intake valve replacement and FRT4.1.
- ⑤ Indicating FRT1.4 that will be added when additional operation (whole intake side of one cylinder head) is done in association with intake valve replacement.

- ⑥ Indicating work condition or application condition of the service item.
- ⑦ Indicating work contents that are included in the service item.
- ⑧ Indicating a reference No. whose operation and time are the same as FRT4.1 for the intake valve.

(The application range is limited to the service items without an LON setting within a same block.)

**How to refer to the service item by using the sample  
(intake valve replacement)**

Open to the page of the block where the intake valve's spare part illustration is shown.



Look for the intake valve illustration, and refer to the service item and FRT that agree with the reference No.

Indication mark for the listing of service items that continues to the following page

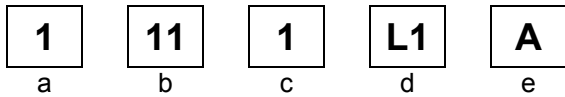
Ref. No.	L.O.N.	(Relative ref. Number) Description	F.R.T.
2	1111L1	VALVE, INTAKE .....	4.1
	.	.	.
	.	.	.

+  
Mark indicated at the last line.

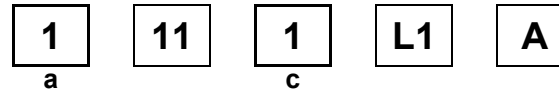
Indication of the block with no setting of FRT

Ref. No.	L.O.N.	(Relative ref. Number) Description	F.R.T.
NO INFORMATION .....			

• LON code system



- a) Category code..... Engine
- b) Location/function code..... Engine upper
- c) Operation code..... Replace
- d) Operation sequence number (Unit code can be shown with alphabet)  
..... Intake valve  
(No regular rule of code)
- e) Additional code ..... One head (intake all)  
(No regular rule of code)



a) Category codes and classification

Code	Category
1	Engine
2	Power drive
3	Fuel & Exhaust
4	Frame & Body
5	Steering
6	Electrical
7	Axle & Brake
8	Control system
9	-
0	Attachments

c) Operation codes and classification

Code	Operation category
1	Replace, Removal/Installation, Change
2	Overhaul
3	Adjust, Rotation
4	(Paint-related work: Top-coat)
5	Test, Inspect/diagnose, Measurement
6	(Overhaul-related work: Rebore)
7	(Overhaul-related work: Reseal)
8	(Resurface)
9	(Paint-related work: Refinish)
0	Repair, Cleaning, Air bleeding

Major service items without using spare parts

- (1) Removal/Installation, (2) Adjustment,  
(3) Inspection/Measurement, (4) Overhaul, (5) Other work

E: Engine, T: Transmission, D: Drive system,  
B: Body and related parts

### (1) Removal/Installation

Set with the parts configuration in the status of being removed from the product.

	LON	DESCRIPTION	FRT
E		<b>CYLINDER HEAD ASSEMBLY-REMOVAL/INSTALLATION</b>	
	1111N0	LEFT	1.4
	1111N1	RIGHT	1.4
	1111N2	BOTH	1.9

### (2) Adjustment

	LON	DESCRIPTION	FRT
E	1113A1	<b>VALVE CLEARANCE-ADJUSTMENT</b> NOTE: For 1 product	0.5
	1163A0	<b>CONTROL, THROTTLE/GOVERNOR-ADJUSTMENT</b>	0.2
	3113A2	<b>CARBURETOR IDLE-ADJUSTMENT</b>	0.2

### (3) Inspection, Measurement, Cleaning

	LON	DESCRIPTION	FRT
E	1105A0	<b>ENGINE OIL-INSPECTION</b>	0.1
	1115A0	<b>CYLINDER COMPRESSION-TEST</b> NOTE: All cylinders	0.4
	1135A0	<b>ENGINE OIL PRESSURE-TEST</b>	0.3
	3115A2	<b>CARBURETOR FLOAT LEVEL-MEASUREMENT</b>	0.6

E	3120A0	<b>AIR CLEANER-CLEANING</b> INCLUDES: Air cleaner-inspection	0.2
	3130A0	<b>SPARK ARRESTER-CLEANING</b> INCLUDES: Spark arrester-inspection	0.2
	6140A0	<b>SPARK PLUG-ADJUSTMENT/CLEANING</b> INCLUDES: Spark plug check NOTE: For 1 product	0.2

### (4) Overhaul

Work condition: The required Measurements, inspections, adjustments, and cleaning/washing of each part are performed, including the main body removal/installation work and the replacement of defective parts.

	LON	DESCRIPTION	FRT
E	3112A0	<b>CARBURETOR-OVERHAUL</b> INCLUDES: All necessary adjustment	1.0

### (5) Other work

	LON	DESCRIPTION	FRT
E	1101E1	<b>ENGINE OIL-CHANGE</b> INCLUDES: Engine oil-inspection	0.1



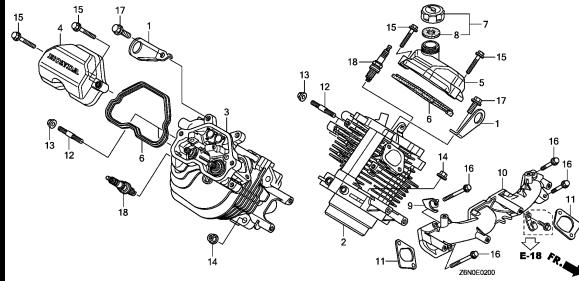
# ENGINE GROUP

**B14**

**E-2**

CYLINDER HEAD

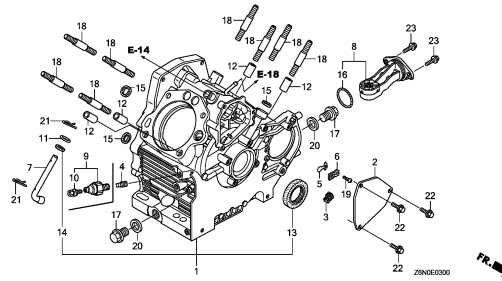
**C 1**



**E-3**

CRANKCASE

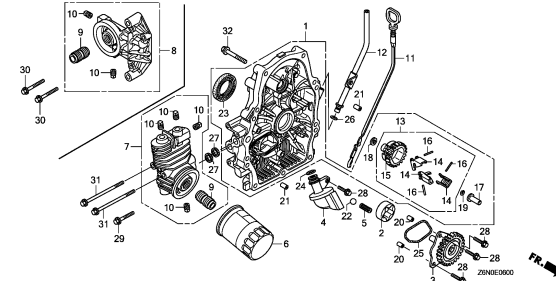
**C 3**



**E-6**

CRANKCASE COVER

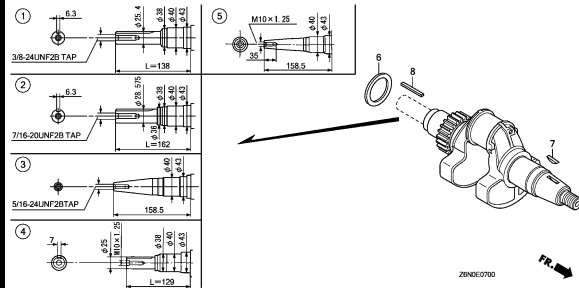
**C 5**



**E-7**

CRANKSHAFT

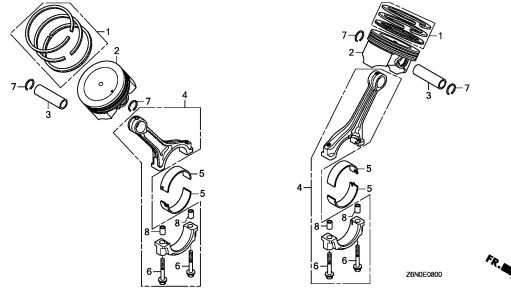
**C 7**



**E-8**

PISTON

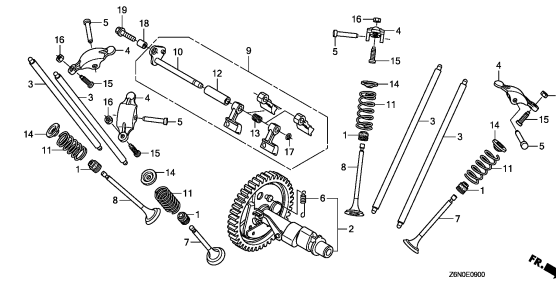
**C 8**



**E-9**

CAMSHAFT

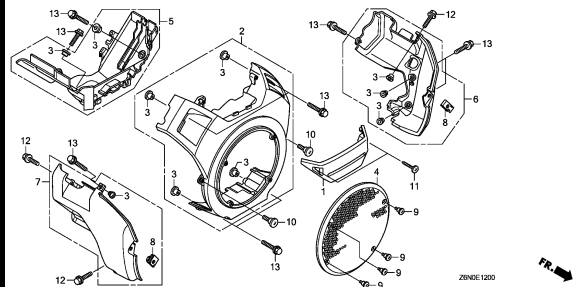
**C 9**



**E-12**

FAN COVER

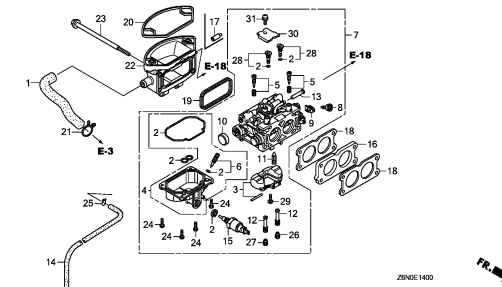
**C14**



**E-14**

CARBURETOR

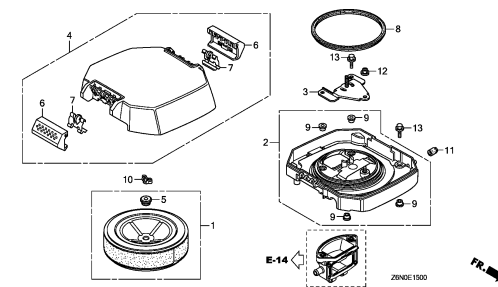
**C15**



**E-15**

AIR CLEANER

**D 1**



**2**

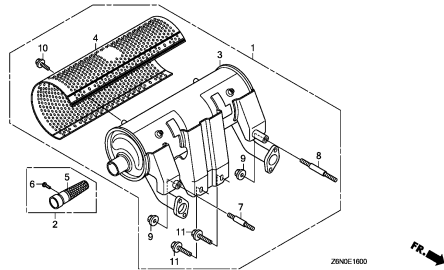
# ENGINE GROUP

**B15**

**E-16**

MUFFLER(HIGH-R)

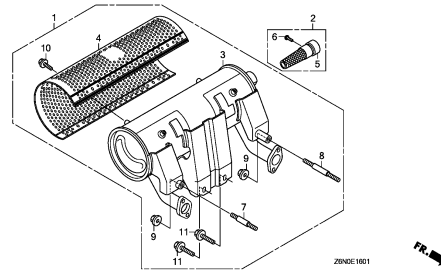
**D 2**



**E-16-1**

MUFFLER(HIGH-L)

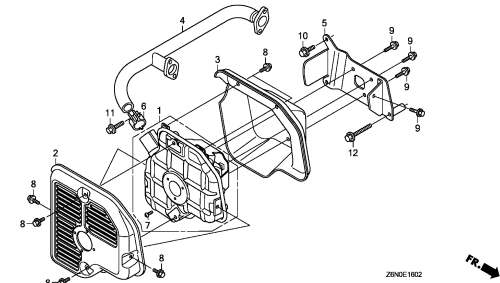
**D 3**



**E-16-2**

MUFFLER(SIDE MOUNT)

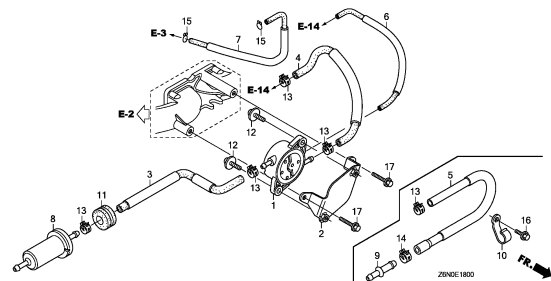
**D 4**



**E-18**

FUEL PUMP

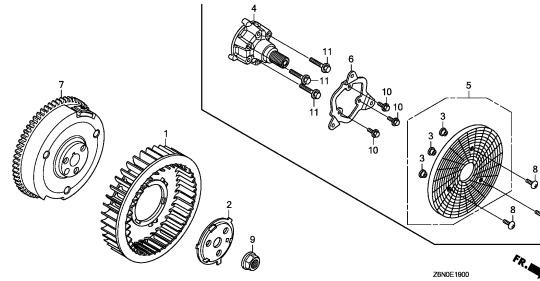
**D 5**



**E-19**

FLYWHEEL

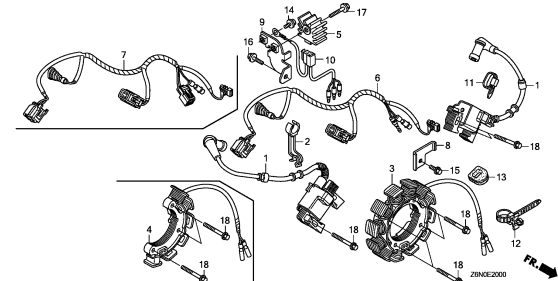
**D 6**



**E-20**

IGNITION COIL

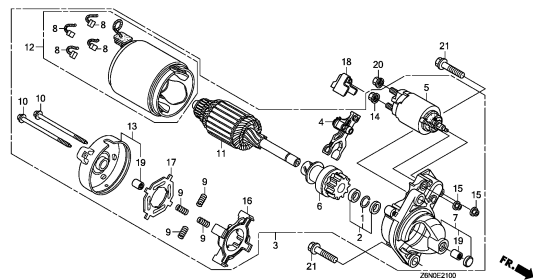
**D 7**



**E-21**

STARTER MOTOR

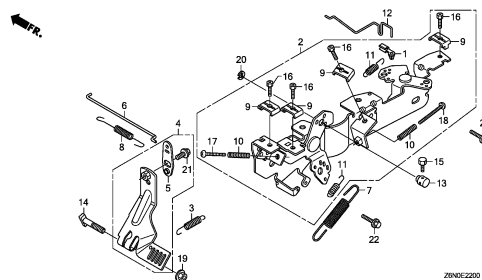
**D 8**



**E-22**

CONTROL

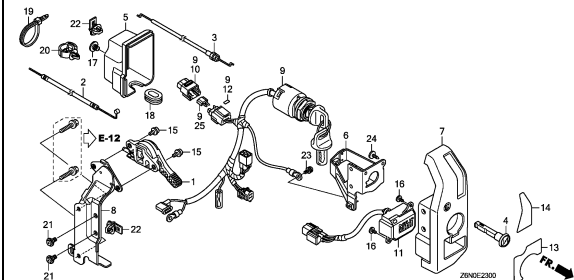
**D 9**



**E-23**

CONTROL BOX

**D11**



**2**

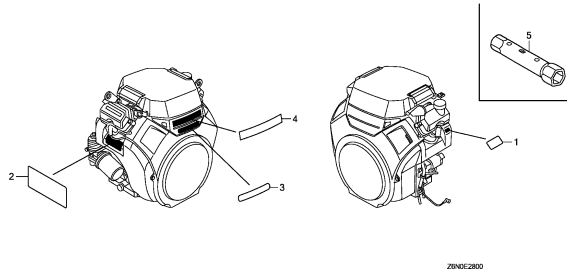
# ENGINE GROUP

**B16**

**E-28**

LABEL/TOOL

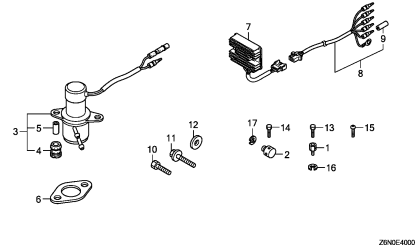
**D13**



**E-40**

OTHER PARTS(FUEL PUMP)(REGULATOR  
RECTIFIER)

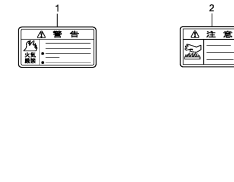
**D14**



**E-40-1**

OTHER PARTS(LABEL)

**D15**

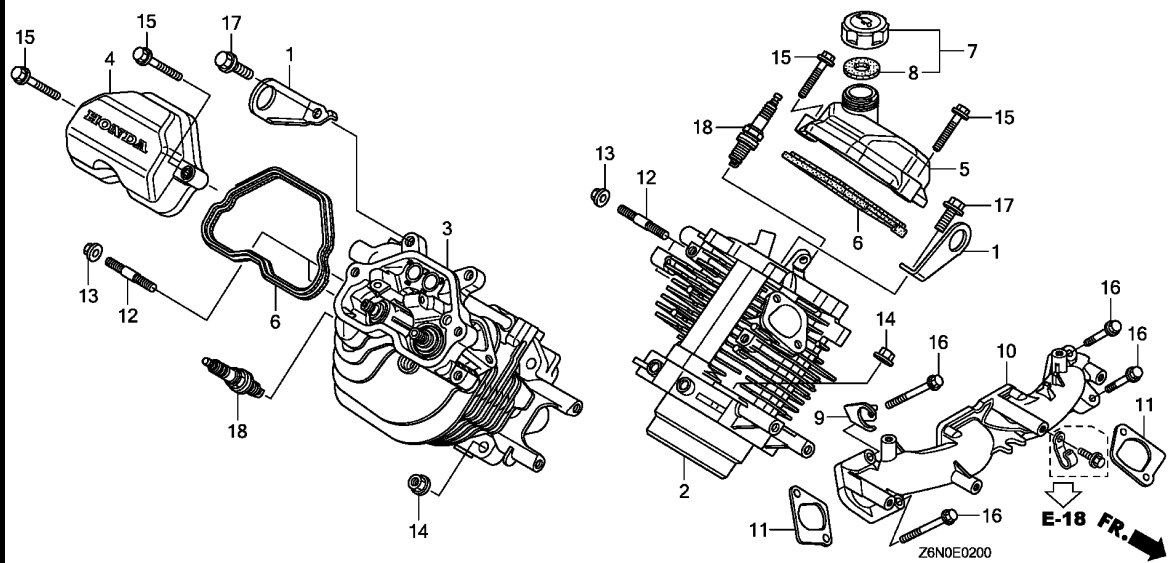


**2**

E-2

CYLINDER HEAD

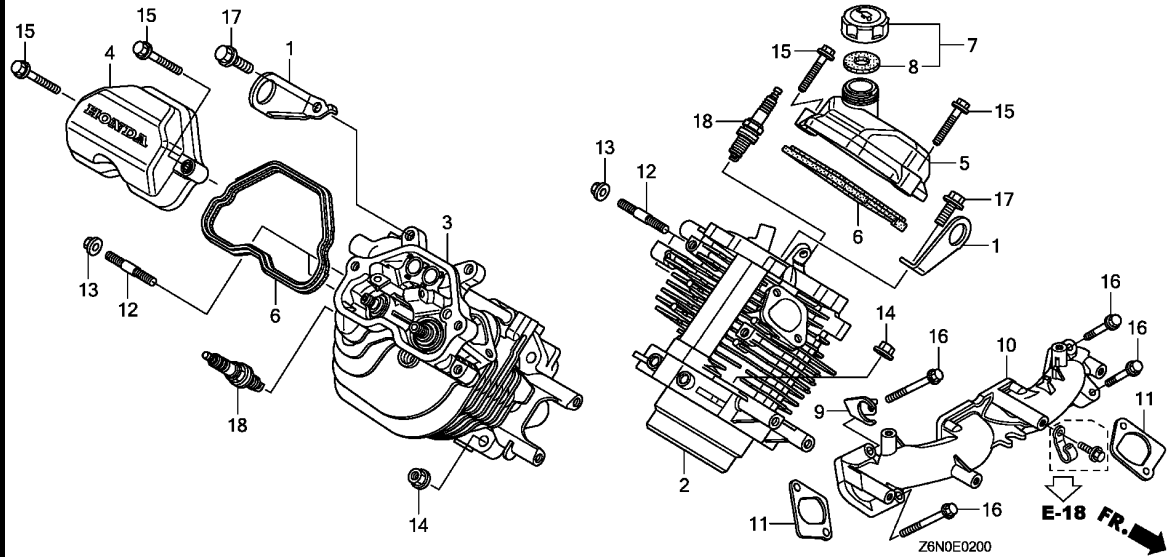
C 1



Ref. No.	L.O.N.	(Relative ref. Number) Description	F.R.T.
2	1111F2	HEAD, CYLINDER :LEFT BANK .... .INCLUDES: Valve clearance adjustment and reface	2.1
	1111L4	HEAD, CYLINDER :BOTH BANKS ... .INCLUDES: Valve clearance adjustment and reface	3.3
3	1111F3	HEAD, CYLINDER :RIGHT BANK ... .INCLUDES: Valve clearance adjustment and reface	2.1
	1111L4	HEAD, CYLINDER :BOTH BANKS ... .INCLUDES: Valve clearance adjustment and reface	3.3
4	1111D4	COVER, CYLINDER HEAD AND/OR PACKING, HEAD COVER :RIGHT ..	0.2
	1111L5	COVER, CYLINDER HEAD AND/OR PACKING, HEAD COVER :BOTH ...	0.3
5	1111D3	COVER, CYLINDER HEAD AND/OR PACKING, HEAD COVER :LEFT ...	0.2
	1111L5	COVER, CYLINDER HEAD AND/OR PACKING, HEAD COVER :BOTH ...	0.3
10	3111C4	MANIFOLD, INTAKE .....	0.7
11	3111M6	PACKING, INTAKE MANIFOLD :LEFT	0.7
+ .NOTE: Same time for two units			

Ref. No.	Part No.	Description	Reqd. QTY			Serial No.	Parts catalogue code
			GX 630	GX 660	GX 690		
1	11911-Z6L-000	HANGER, ENGINE .....	2	2	2		
2	12110-Z6L-000	HEAD COMP., CYLINDER (#1) ...	1	1	1		
3	12120-Z6L-000	HEAD COMP., CYLINDER (#2) ...	1	1	1		
4	12311-Z6L-000	COVER, CYLINDER HEAD .....	1	1	1		
5	12311-Z6L-800	COVER, CYLINDER HEAD .....	1	1	1		
6	12312-Z6L-000	PACKING, HEAD COVER .....	2	2	2		
7	15600-Z6L-000	CAP ASSY., OIL FILLER .....	1	1	1		
8	15625-Z6L-000	PACKING, OIL FILLER CAP .....	1	1	1		
9	16722-Z6L-000	STAY, FUEL TUBE GROMMET .....	1	1	1		
10	17101-Z6L-000	MANIFOLD, INTAKE .....	1	1	1		
11	17151-Z6L-000	PACKING, INTAKE MANIFOLD ....	2	2	2		
12	92900-08022-0E	BOLT, STUD, 8X22 .....	4	4	4		
13	94050-08000	NUT, FLANGE, 8MM .....	4	4	4		
14	94050-10000	NUT, FLANGE, 10MM .....	8	8	8		
15	95701-06030-00	BOLT, FLANGE, 6X30 .....	4	4	4		
16	95701-06050-00	BOLT, FLANGE, 6X50 .....	4	4	4		
17	95701-08016-00	BOLT, FLANGE, 8X16 .....	2	2	2		
18	98079-5587G	PLUG, SPARK (ZFR5F) .....	2	2	2		

2

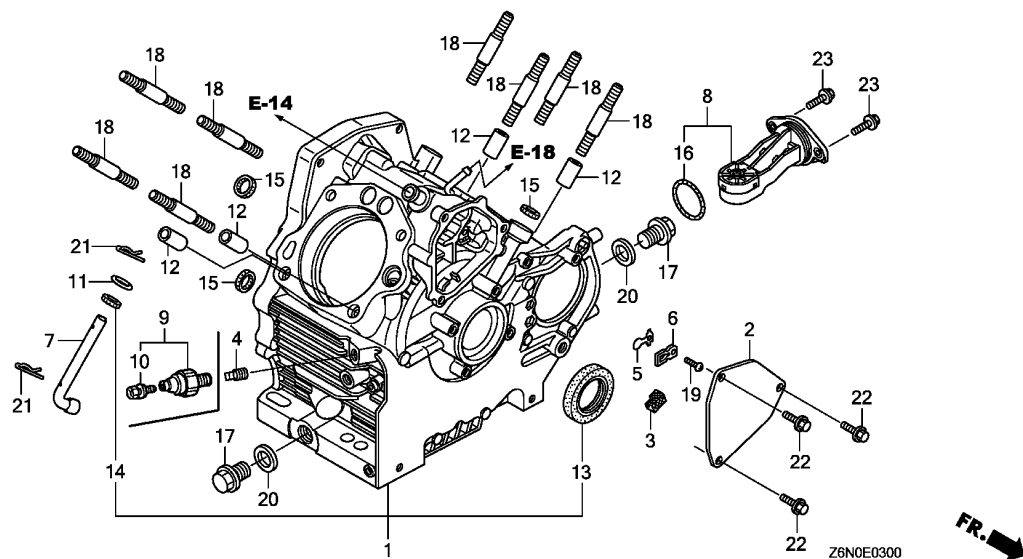


Ref. No.	L.O.N.	(Relative ref. Number) Description	F.R.T.
+11	3111M7	PACKING, INTAKE MANIFOLD :RIGHT .....	0.7
		.NOTE: Same time for two units	
18	6141E6	PLUG, SPARK :LEFT BANK .....	0.1
		.INCLUDES: Spark plug check	
	6141E7	PLUG, SPARK :RIGHT BANK .....	0.1
		.INCLUDES: Spark plug check	
	6141E8	PLUG, SPARK :BOTH BANKS .....	0.2
		.INCLUDES: All spark plug check	

E-3

CRANKCASE

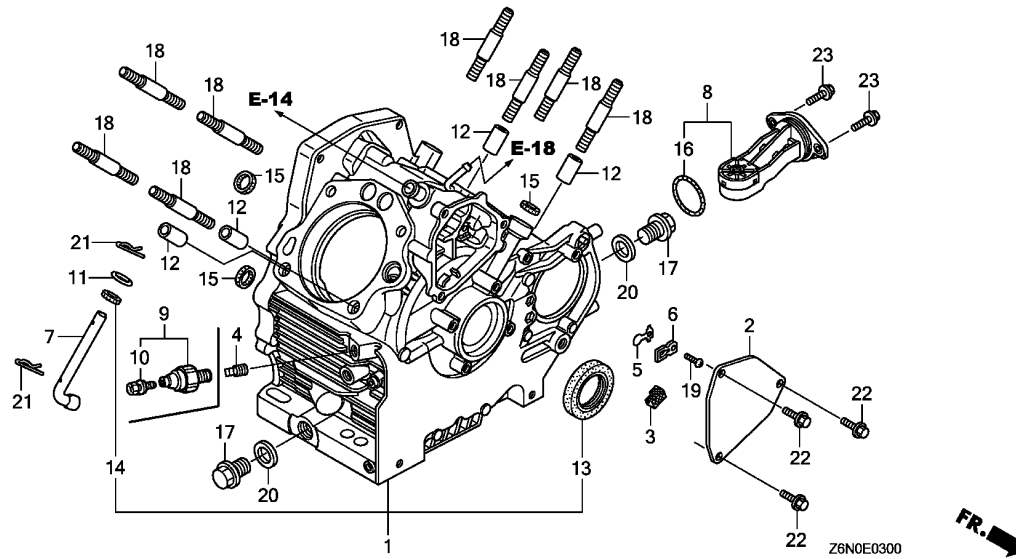
C 3



Ref. No.	L.O.N.	(Relative ref. Number) Description	F.R.T.
1	1101B7	CRANKCASE	3.9
3		(2)	
5	1111E5	FILTER, BREATHER	1.0
6		(6)	
7	1171A8	VALVE, OIL OUTLET	1.0
7	1161B4	SHAFT, GOVERNOR ARM	3.0
8		(16)	
8	6151E8	SWITCH, OIL LEVEL	0.2
9	6151E4	SWITCH, OIL PRESSURE	0.2
13	1101E4	OIL SEAL, CRANKSHAFT :FRONT	3.0
14	1101C4	OIL SEAL, GOVERNOR ARM SHAFT	3.0
15	1101T8	PACKING, OIL PASS	0.8
	1111AS	PACKING, OIL PASS :LEFT BANK	1.4
	1111AT	PACKING, OIL PASS :RIGHT BANK	1.4
	1111AU	PACKING, OIL PASS :BOTH BANKS	1.9

Ref. No.	Part No.	Description	Reqd. QTY			Serial No.	Parts catalogue code
			GX 630	GX 660	GX 690		
1	11100-Z6L-000	CRANKCASE ASSY.	1	1	1	----- QKW1,QWD,QWF,SAE1,VAY	
	11100-Z6L-800	.....	1	1	1	----- TXF3,VZE1,VZE8	
	11100-Z6L-810	.....	-	1	1	----- TAF5	
2	12356-Z6L-000	COVER, BREATHER	1	1	1		
3	12367-Z6L-000	FILTER, BREATHER	1	1	1		
4	15424-Z6L-000	BOLT, SEALING	1	-	-	----- QWF,VZE1,VZE8	
5	15571-ZM7-003	VALVE, OIL OUTLET	1	1	1		
6	15572-Z6L-000	PLATE, STOPPER	1	1	1		
7	16541-Z6L-000	SHAFT, GOVERNOR ARM	1	1	1		
8	35480-Z6L-003	SWITCH ASSY., OIL LEVEL	1	1	1	----- TXF3,VZE1,VZE8	
9	37240-ZG5-004	SWITCH, OIL PRESSURE	1	-	-	----- QKW1,QWD,SAE1	
			-	1	1		
10	90002-ZG5-004	SCREW-WASHER, 4X8	1	-	-	----- QKW1,QWD,SAE1	
			-	1	1		
11	90404-Z6L-000	WASHER, PLAIN (10MM)	1	1	1		
12	90709-Z6L-000	DOWEL PIN, 12X20	4	4	4		
13	91201-Z6L-003	OIL SEAL, 38X58X9	1	1	1		
14	91203-Z6L-003	OIL SEAL, 10X16X5	1	1	1		
15	91308-Z6L-003	PACKING, OIL PASS	3	3	3		
16	91309-Z6L-000	O-RING, 37.9X2.4	1	1	1	----- TXF3,VZE1,VZE8	
17	92800-20000	BOLT, DRAIN PLUG, 20MM	2	2	2		
18	92900-10040-0B	BOLT, STUD, 10X40	8	8	8		
19	93500-03008-0A	SCREW, PAN, 3X8	1	1	1		
20	94109-20000	WASHER, DRAIN PLUG, 20MM	2	2	2		
21	94251-10000	PIN, LOCK, 10MM	2	2	2		

2



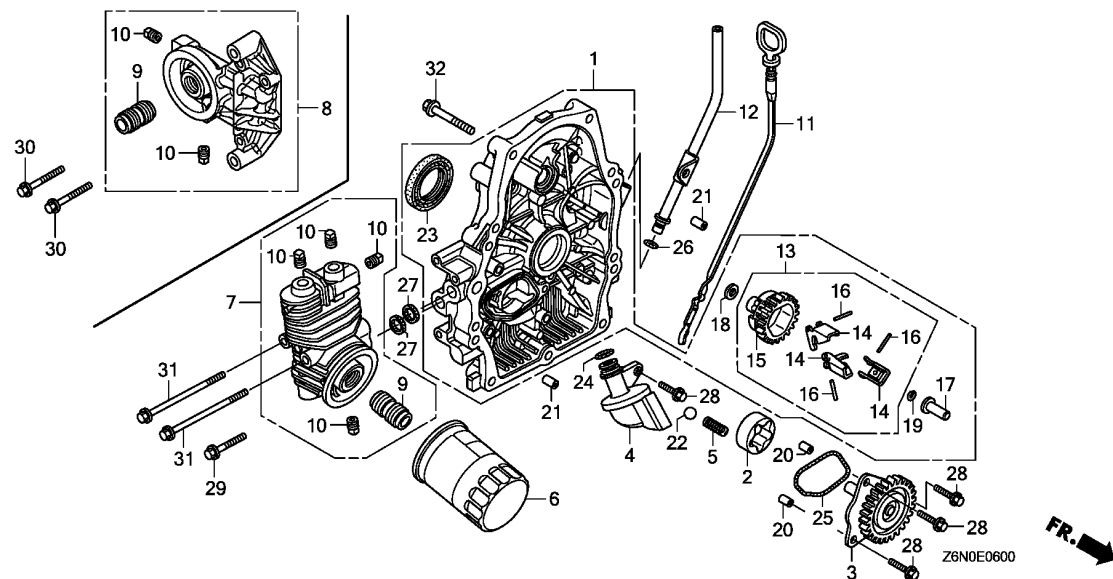
Ref. No.	Part No.	Description	Reqd. QTY			Serial No.	Parts catalogue code
			GX 630	GX 660	GX 690		

22	95701-06014-00	BOLT, FLANGE, 6X14 .....	3	3	3		
23	95701-06016-00	BOLT, FLANGE, 6X16 .....	2	2	2	-----	----- TXF3,VZE1,VZE8

E-6

CRANKCASE COVER

C 5



Ref. No.	L.O.N.	(Relative ref. Number) Description	F.R.T.
1	1101F1	COVER, CRANKCASE .....	1.2
2		(5,22)	
2	1131B3	ROTOR, OIL PUMP OUTER .....	0.9
3		(25)	
3	1131A4	GEAR, OIL PUMP .....	0.9
4		(24)	
4	1131B5	STRAINER, OIL .....	0.9
6	110175	CARTRIDGE, OIL FILTER .....	0.2
7		(27)	
7	1101A2	BASE, OIL FILTER .....	0.3
8		(27)	
	1101T7	BASE, OIL FILTER(A) .....	0.4
		.NOTE: Side mount type	
13	1161C4	GOVERNOR ASSEMBLY .....	0.9
15		(14,16)	
	1161A7	HOLDER, GOVERNOR WEIGHT .....	1.0
	1161B6	SLIDER, GOVERNOR .....	0.9
	23	OIL SEAL, CRANKSHAFT :REAR ...	0.9

Ref. No.	Part No.	Description	Reqd. QTY			Serial No.	Parts catalogue code
			GX 630	GX 660	GX 690		
1	11300-Z6L-000	COVER ASSY., CRANKCASE .....	1	1	1		
2	15133-Z6L-000	ROTOR, OIL PUMP OUTER .....	1	1	1		
3	15140-Z6L-000	GEAR COMP., OIL PUMP .....	1	1	1		
4	15220-Z6L-000	STRAINER COMP., OIL .....	1	1	1		
5	15232-Z6L-000	SPRING, RELIEF VALVE .....	1	1	1		
6	15400-RTA-004	CARTRIDGE, OIL FILTER (TOYO ROKI)	1	1	1		
7	15410-Z6L-000	BASE COMP., OIL FILTER .....	1	-	-	-----	QKW1,QWF,SAE1,VZE1,VZE8
			-	1	1		
8	15410-Z6L-800	BASE COMP., OIL FILTER .....	1	-	-	-----	QWD
9	15423-Z6L-000	HOLDER, OIL FILTER .....	1	1	1		
10	15424-Z6L-000	BOLT, SEALING .....	2	-	-	-----	QWD
			4	-	-	-----	QKW1,QWF,SAE1,VZE1,VZE8
			-	4	4		
11	15655-Z6L-000	GAUGE COMP., OIL LEVEL .....	1	1	1		
12	15665-Z6L-000	PIPE COMP., OIL LEVEL .....	1	1	1		
13	16510-Z6L-000	GOVERNOR ASSY. ....	1	1	1		
14	16511-Z6L-300	WEIGHT, GOVERNOR .....	3	3	3		
15	16512-Z6L-300	HOLDER, GOVERNOR WEIGHT .....	1	1	1		
16	16513-Z6L-000	PIN, GOVERNOR WEIGHT .....	3	3	3		
17	16531-Z6L-000	SLIDER, GOVERNOR .....	1	1	1		
18	90403-Z6L-000	WASHER, 6X16 .....	1	1	1		
19	90602-ZE1-000	CLIP, GOVERNOR HOLDER .....	1	1	1		
20	90707-Z6L-000	DOWEL PIN, 8X10 .....	2	2	2		
21	90708-Z6L-000	DOWEL PIN, 8X14 .....	2	2	2		

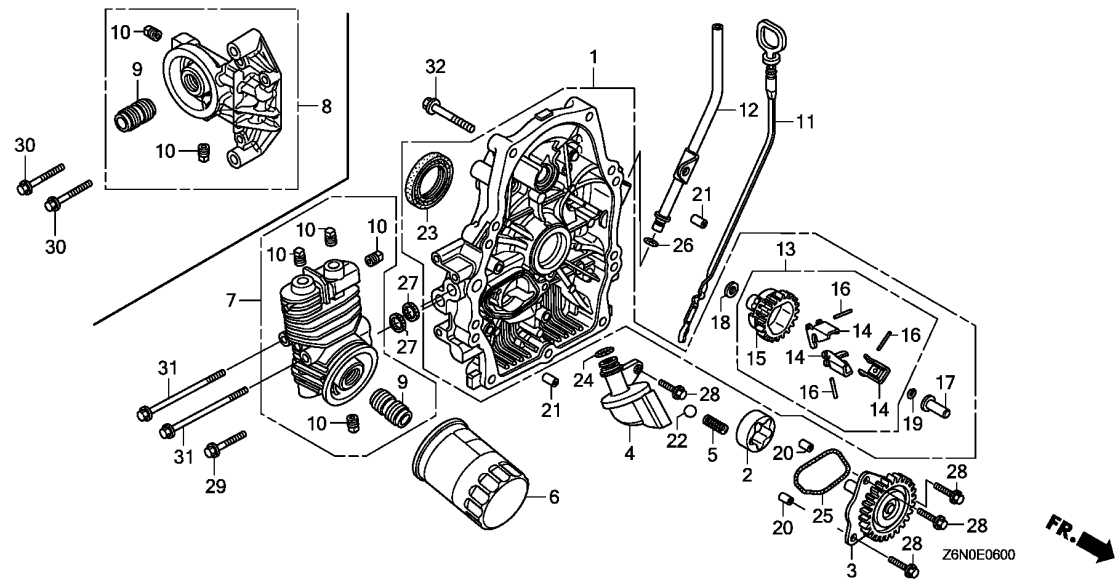
2



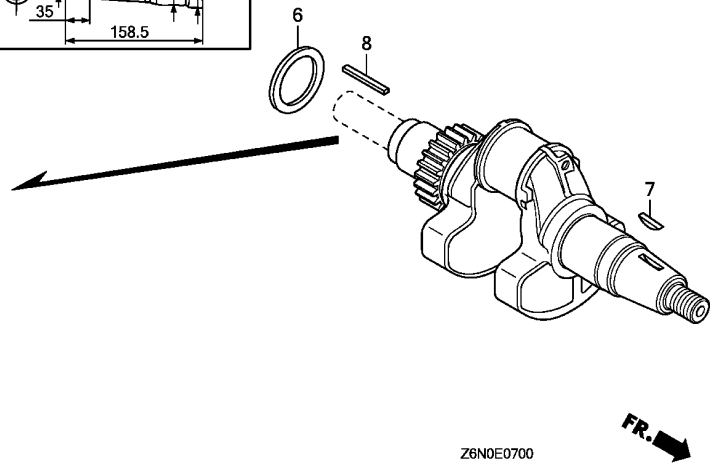
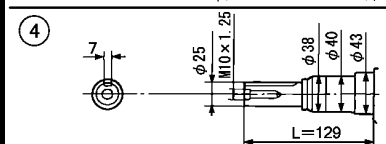
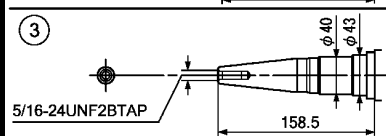
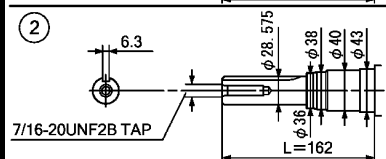
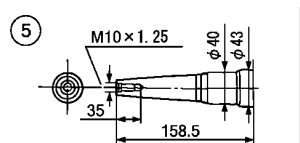
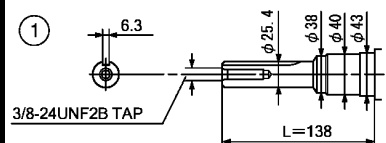
E-6

CRANKCASE COVER

C 6



Ref. No.	Part No.	Description	Reqd. QTY			Serial No.	Parts catalogue code
			GX 630	GX 660	GX 690		
22	90902-Z6L-000	BALL, STEEL, #15 (15/32) .....	1	1	1		
23	91202-Z6L-003	OIL SEAL, 38X58X9 .....	1	1	1		
24	91301-Z6L-003	O-RING, 14.8X2.4 .....	1	1	1		
25	91302-Z6L-003	O-RING, OIL PUMP .....	1	1	1		
26	91308-PH9-000	O-RING, 8.8X1.9 .....	1	1	1		
27	91308-Z6L-003	PACKING, OIL PASS .....	2	2	2		
28	95701-06020-00	BOLT, FLANGE, 6X20 .....	4	4	4		
29	95701-06028-00	BOLT, FLANGE, 6X28 .....	1	1	1		
30	95701-06035-00	BOLT, FLANGE, 6X35 .....	2	-	-	-----	QWD
31	95701-06090-00	BOLT, FLANGE, 6X90 .....	2	-	-	-----	QKW1,QWF,SAE1,VZE1,VZE8
32	95701-08045-00	BOLT, FLANGE, 8X45 .....	9	9	9		



Z6N0E0700

Ref. No.	L.O.N.	(Relative ref. Number) Description	F.R.T.
1	1101F0	(2,3,4,5) CRANKSHAFT	3.2

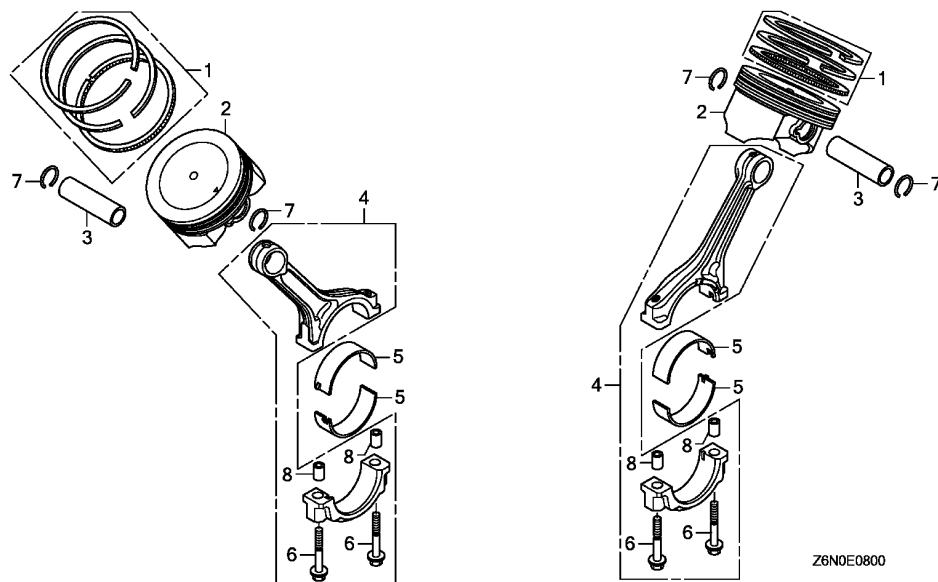
Ref. No.	Part No.	Description	Reqd. QTY			Serial No.	Parts catalogue code
			GX 630	GX 660	GX 690		
1	13310-Z6L-000	CRANKSHAFT COMP. (L=138)	1	-	-	QKW1,QWD,QWF	
2	13310-Z6L-600	CRANKSHAFT COMP. (L=162)	-	1	1	TAF5,TFX3	
3	13310-Z6L-620	CRANKSHAFT COMP.	1	1	1	VAY,VZE1	
4	13310-Z6L-640	CRANKSHAFT COMP. (L=129)	1	-	-	SAE1	
5	13310-Z6L-650	CRANKSHAFT COMP.	1	-	-	VZE8	
6	90402-Z6L-000	WASHER, CRANKSHAFT THRUST	1	1	1		
7	90741-ZE2-000	KEY, SPECIAL WOODRUFF, 25X18	1	1	1		
8	90745-ZE2-600	KEY, 6.3X6.3X43	1	-	1	QKW1,QWF,TAF5	
			-	1	1	TFX3	



E-8

PISTON

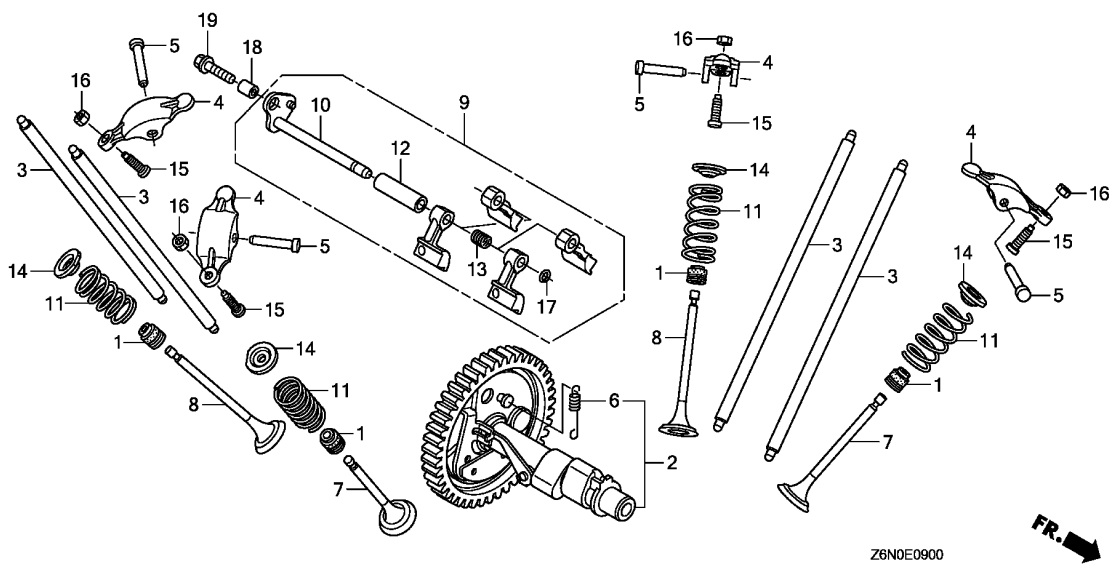
C 8



Ref. No.	L.O.N.	(Relative ref. Number) Description	F.R.T.
2		(1,3)	
1111AP		PISTON AND/OR RING, PISTON :LEFT BANK .....	1.9
1111AQ		PISTON AND/OR RING, PISTON :RIGHT BANK .....	1.9
1111AR		PISTON AND/OR RING, PISTON :BOTH BANKS .....	2.6
4		(5)	
1101T3		ROD, CONNECTING :LEFT BANK ...	2.7
1101T4		ROD, CONNECTING :RIGHT BANK ..	2.7
1101T5		ROD, CONNECTING :BOTH BANKS ..	3.2

Ref. No.	Part No.	Description	Reqd. QTY			Serial No.	Parts catalogue code
			GX 630	GX 660	GX 690		
1	13010-Z6L-003	RING SET, PISTON (STD.) (TEIKOKU)	2	2	2		
2	13101-Z6L-000	PISTON .....	2	2	2		
3	13111-Z6L-000	PIN, PISTON .....	2	2	2		
4	13210-Z6L-000	ROD ASSY., CONNECTING .....	2	2	2		
5	13211-Z6L-003	BEARING A, CONNECTING ROD ...	4	4	4		
6	90001-Z6L-000	BOLT, CONNECTING ROD, 7X38 ..	4	4	4		
7	90551-ZE1-000	CLIP, PISTON PIN, 18MM .....	4	4	4		
8	90705-Z6L-000	DOWEL PIN, 9X10 .....	4	4	4		

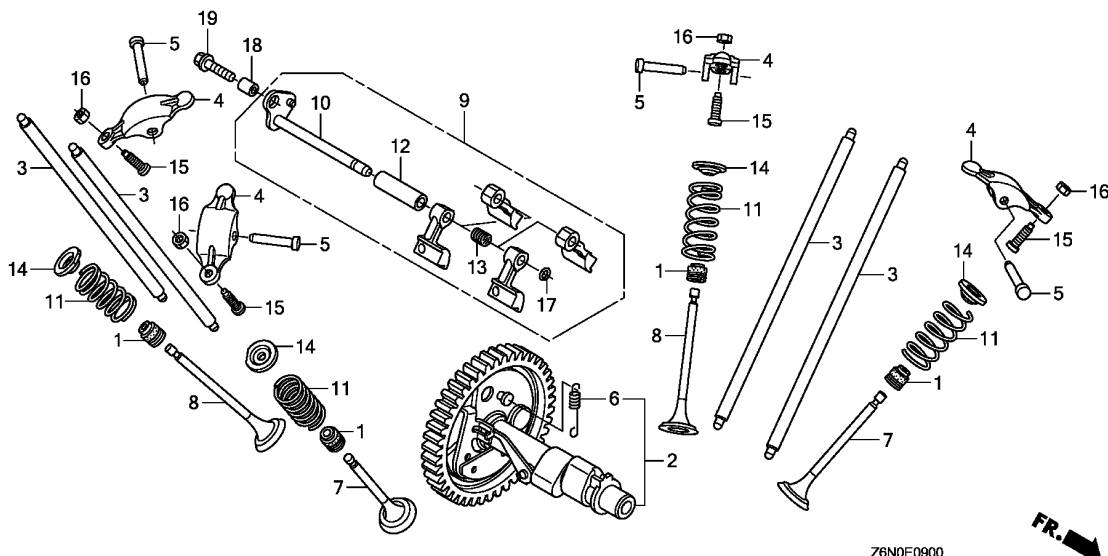
2



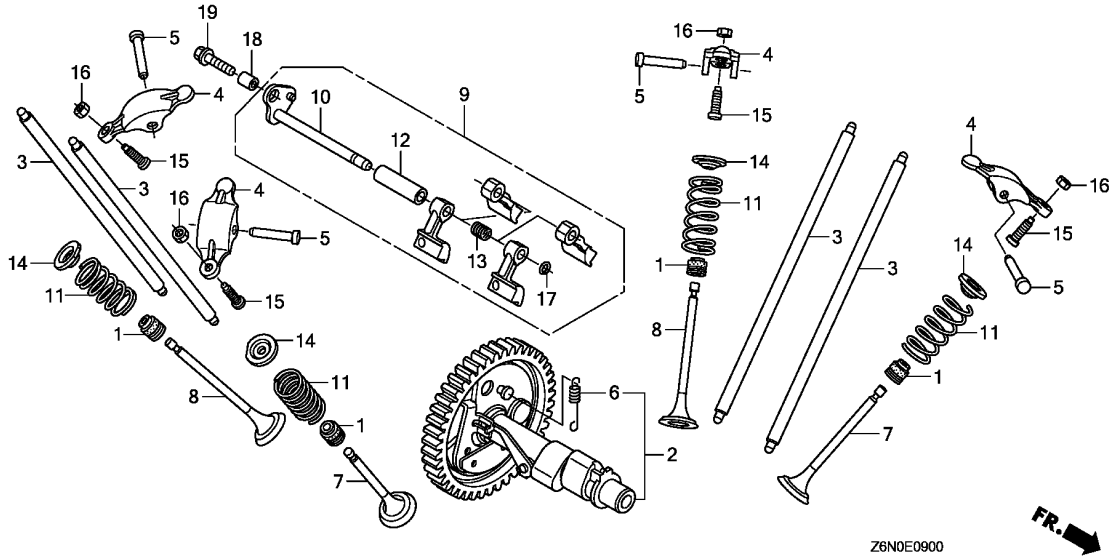
Ref. No.	L.O.N.	(Relative ref. Number) Description	F.R.T.
1	1111U9	SEAL, INTAKE VALVE STEM(ONE) :LEFT BANK .....	1.5
		.INCLUDES: Valve clearance adjustment	
	1111U9B	.Replace one head(intake and exhaust all) add .....	0.1
	1111V0	SEAL, INTAKE VALVE STEM(ONE) :RIGHT BANK .....	1.5
		.INCLUDES: Valve clearance adjustment	
	1111V0B	.Replace one head(intake and exhaust all) add .....	0.1
	1111V1	SEAL, EXHAUST VALVE STEM(ONE) :LEFT BANK .....	1.5
		.INCLUDES: Valve clearance adjustment	
	1111V1B	.Replace one head(intake and exhaust all) add .....	0.1
	1111V2	SEAL, EXHAUST VALVE STEM(ONE) :RIGHT BANK .....	1.5
		.INCLUDES: Valve clearance adjustment	
	1111V2B	.Replace one head(intake and exhaust all) add .....	0.1
+ 2	1111C2	CAMSHAFT .....	1.3

Ref. No.	Part No.	Description	Reqd. QTY			Serial No.	Parts catalogue code
			GX 630	GX 660	GX 690		
1	12208-Z6L-003	SEAL, VALVE STEM .....	4	4	4		
2	14100-Z6L-000	CAMSHAFT ASSY. ....	1	1	1		
3	14410-Z6L-000	ROD COMP., PUSH .....	4	4	4		
4	14431-Z6L-000	ARM, VALVE ROCKER .....	4	4	4		
5	14461-Z6L-000	SHAFT, ROCKER ARM .....	4	4	4		
6	14568-Z6L-000	SPRING, WEIGHT RETURN .....	1	1	1		
7	14711-Z6L-000	VALVE, IN. ....	2	2	2		
8	14721-Z6L-000	VALVE, EX. ....	2	2	2		
9	14730-Z6L-000	LIFTER ASSY., VALVE .....	1	1	1		
10	14735-Z6L-000	SHAFT COMP., VALVE LIFTER ...	1	1	1		
11	14751-Z6L-000	SPRING, VALVE .....	4	4	4		
12	14763-Z6L-000	COLLAR, VALVE LIFTER .....	1	1	1		
13	14764-Z6L-000	SPRING, VALVE LIFTER .....	1	1	1		
14	14771-ZE1-000	RETAINER, IN. VALVE SPRING ..					
		(IN./EX.)	4	4	4		
15	90012-Z6L-000	SCREW, TAPPET ADJUSTING .....	4	4	4		
16	90206-Z6L-000	NUT, TAPPET ADJUSTING .....	4	4	4		
17	90602-ZE1-000	CLIP, GOVERNOR HOLDER .....	1	1	1		
18	90707-Z6L-000	DOWEL PIN, 8X10 .....	1	1	1		
19	95701-06022-00	BOLT, FLANGE, 6X22 .....	1	1	1		



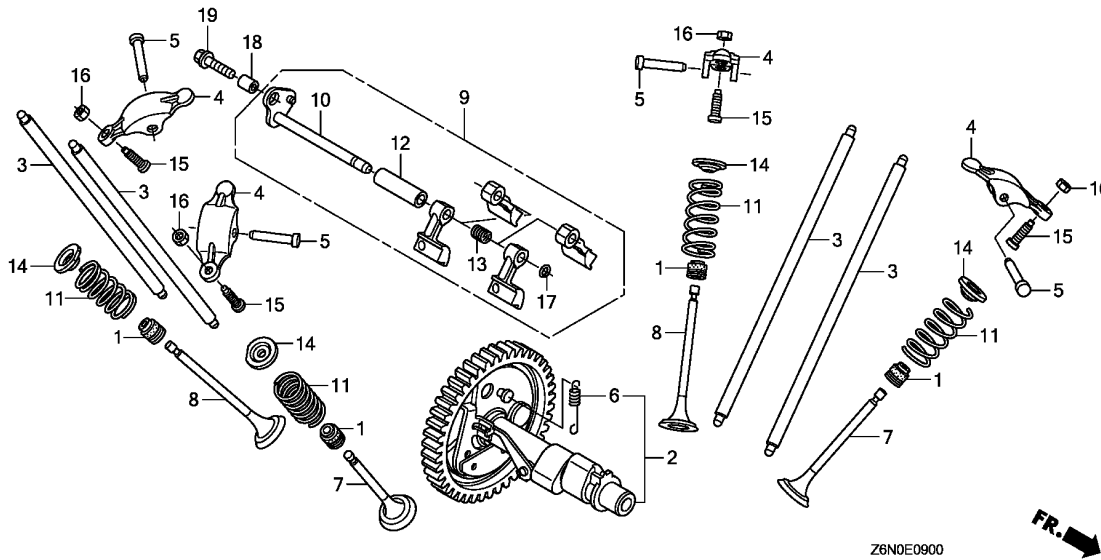


Ref. No.	L.O.N.	(Relative ref. Number) Description	F.R.T.
+ 2		.INCLUDES: Valve clearance adjustment	
3	1111X5	ROD, PUSH(ONE) :LEFT BANK INTAKE .....	0.3
		.INCLUDES: Valve clearance adjustment	
	1111X5B	.Replace one head(intake and exhaust all) add .....	0.1
	1111X6	ROD, PUSH(ONE) :RIGHT BANK INTAKE .....	0.3
		.INCLUDES: Valve clearance adjustment	
	1111X6B	.Replace one head(intake and exhaust all) add .....	0.1
	1111X7	ROD, PUSH(ONE) :LEFT BANK EXHAUST .....	0.3
		.INCLUDES: Valve clearance adjustment	
	1111X7B	.Replace one head(intake and exhaust all) add .....	0.1
	1111X8	ROD, PUSH(ONE) :RIGHT BANK EXHAUST .....	0.3
		.INCLUDES: Valve clearance adjustment	
+			

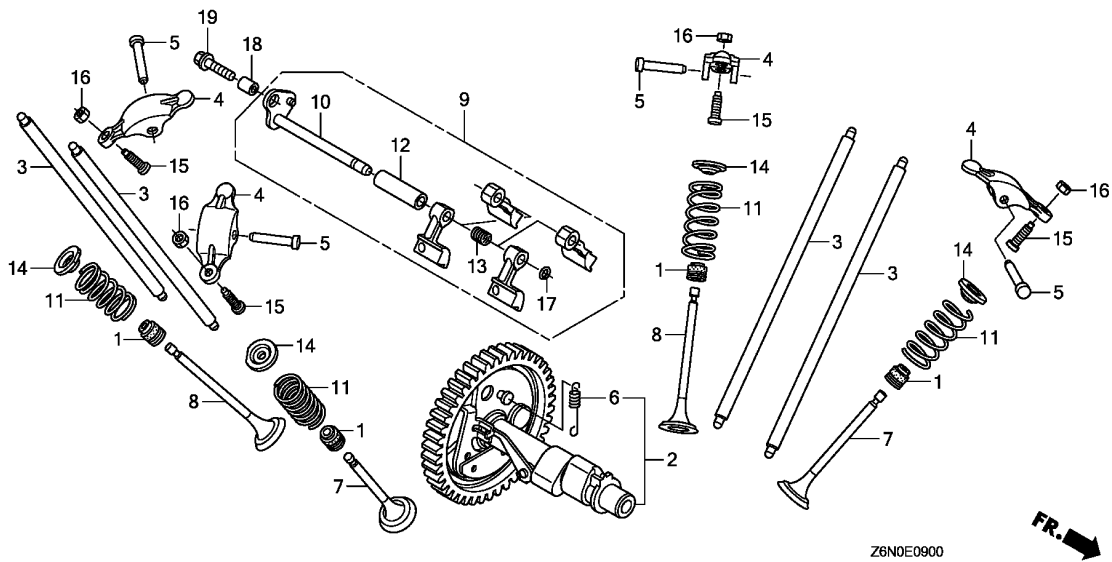


Ref. No.	L.O.N.	(Relative ref. Number) Description	F.R.T.
+ 3	1111X8B	.Replace one head(intake and exhaust all) add .....	0.1
4	1111T1	ARM, ROCKER :LEFT BANK INTAKE .INCLUDES: Valve clearance adjustment	0.3
	1111T1C	.Replace one head(intake and exhaust all) add .....	0.1
	1111U3	ARM, ROCKER :LEFT BANK EXHAUST .INCLUDES: Valve clearance adjustment	0.3
	1111U3C	.Replace one head(intake and exhaust all) add .....	0.1
	1111T2	ARM, ROCKER :RIGHT BANK INTAKE .INCLUDES: Valve clearance adjustment	0.3
	1111T2C	.Replace one head(intake and exhaust all) add .....	0.1
	1111U4	ARM, ROCKER :RIGHT BANK EXHAUST .INCLUDES: Valve clearance adjustment	0.3
	1111U4C	.Replace one head(intake and exhaust all) add .....	0.1
+ 7	1111T9	VALVE, INTAKE(ONE) :LEFT BANK	1.6





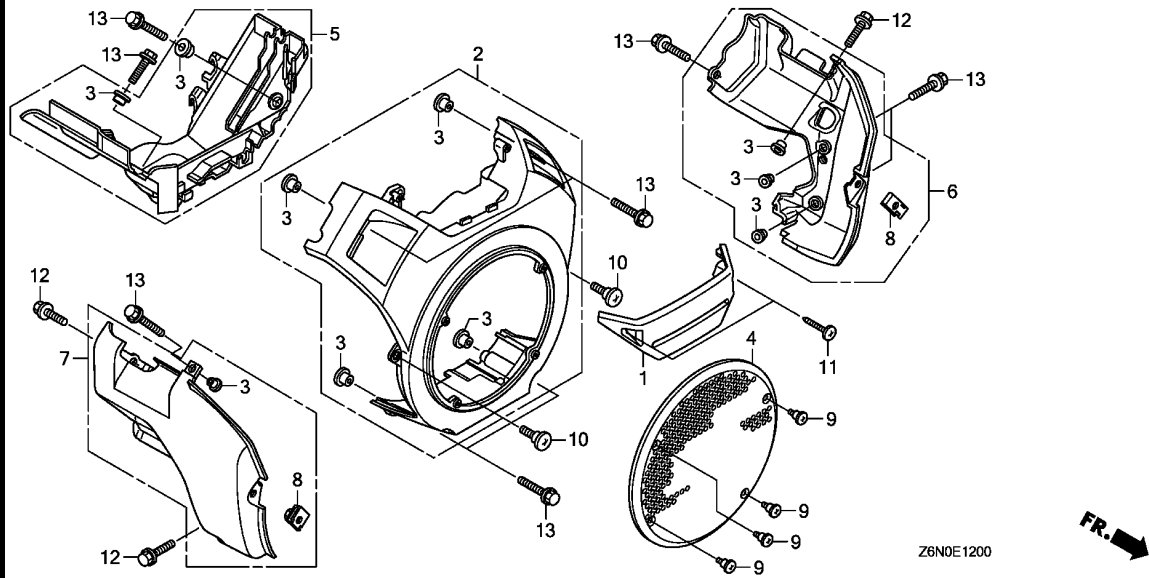
Ref. No.	L.O.N.	(Relative ref. Number) Description	F.R.T.
+ 7		.INCLUDES: Valve clearance adjustment and reface	
1111T9B		.Replace one head(intake and exhaust all) add .....	0.2
1111U1		VALVE, INTAKE(ONE) :RIGHT BANK .INCLUDES: Valve clearance adjustment and reface	1.6
1111U1B		.Replace one head(intake and exhaust all) add .....	0.2
8 1111U0		VALVE, EXHAUST(ONE) :LEFT BANK .INCLUDES: Valve clearance adjustment and reface	1.6
1111U0B		.Replace one head(intake and exhaust all) add .....	0.2
1111U2		VALVE, EXHAUST(ONE) :RIGHT BANK .....	1.6
1111U2B		.Replace one head(intake and exhaust all) add .....	0.2
9 1111F7		LIFTER, VALVE .....	1.3
		.INCLUDES: Valve clearance adjustment (12,13,17)	
+ 10		1111P2 SHAFT, VALVE LIFTER .....	1.4



Ref. No.	L.O.N.	(Relative ref. Number) Description	F.R.T.
----------	--------	------------------------------------	--------

+10		.INCLUDES: Valve clearance adjustment	
-----	--	---------------------------------------	--





Ref. No.	L.O.N.	(Relative ref. Number) Description	F.R.T.
1	3101A4	COVER, FUEL PUMP .....	0.1
2	1141G8	COVER, ENGINE COOLING FAN ....	0.2
4	4141C9	PROTECTOR, FAN COVER .....	0.1
5	4141E2	SHROUD, ENGINE :UPPER .....	0.5
6	4141D9	SHROUD, ENGINE :LEFT .....	0.3
7	4141E1	SHROUD, ENGINE :RIGHT .....	0.2

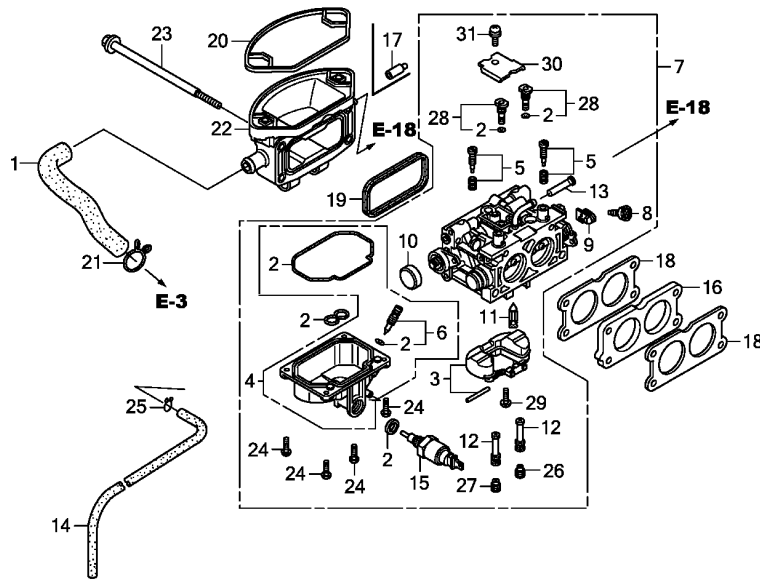
2

Ref. No.	Part No.	Description	Reqd. QTY			Serial No.	Parts catalogue code
			GX 630	GX 660	GX 690		
1	16715-Z6L-000	COVER, FUEL PUMP .....	1	1	1		
2	19610-Z6L-000ZA	COVER COMP., FAN					
	19610-Z6L-000ZB	*R280*.....POWER RED *NH1*.....BLACK	1	1	1	-----	VZE8
3	19619-Z0A-300	COLLAR, FAN COVER .....	10	10	10		
4	19621-Z6L-000	PROTECTOR, FAN COVER .....	1	-	-	-----	QKW1,QWF,SAE1,VZE1,VZE8
5	19631-Z6L-000	SHROUD, UPPER .....	1	1	1		
6	19641-Z6L-000	SHROUD, R. LOWER .....	1	1	1		
7	19642-Z6L-000	SHROUD, L. LOWER .....	1	-	-	-----	QKW1,QWF,SAE1,VZE1,VZE8
	19642-Z6L-800	.....	1	-	-	-----	QWD
8	84601-HA7-670	NUT, FENDER SETTING .....	2	2	2		
9	90005-Z6L-000	SCREW, SPECIAL, 4X10 .....	4	-	-	-----	QKW1,QWF,SAE1,VZE1,VZE8
			-	4	4		
10	90380-GM9-740	SCREW, SPECIAL, 6X15 .....	2	2	2		
11	93913-25580	SCREW, TAPPING, 5X20 .....	2	2	2		
12	95701-06016-00	BOLT, FLANGE, 6X16 .....	3	3	3		
13	95701-06020-00	BOLT, FLANGE, 6X20 .....	10	10	10		

# E-14

# CARBURETOR

# C15

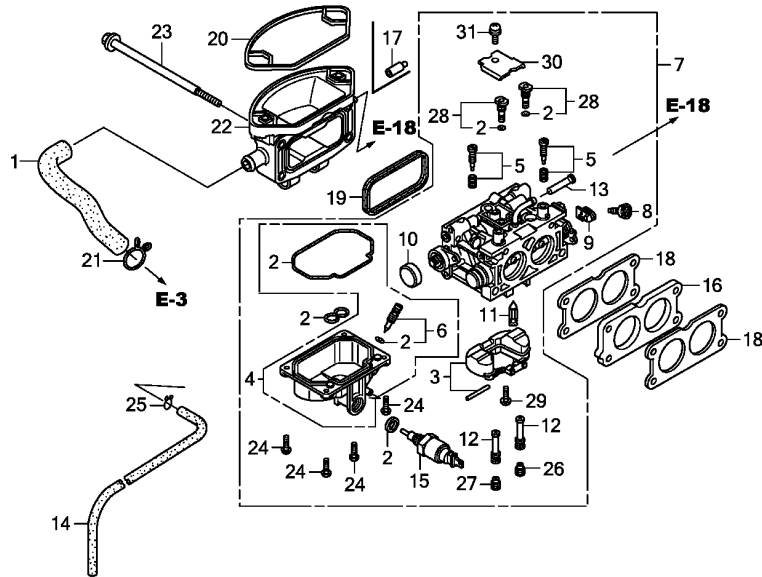


Z6N0E1400

Ref. No.	L.O.N.	(Relative ref. Number) Description	F.R.T.
1	1111K5	TUBE, BREATHER .....	0.5
2	3111B1	GASKET SET, CARBURETOR .....	0.8
4	3111A3	CHAMBER SET, FLOAT AND/OR GASKET, FLOAT CHAMBER .....	0.6
5	3111T7	SCREW SET, PILOT :LEFT .....	0.3
	3111T8	SCREW SET, PILOT :RIGHT .....	0.3
7	3111F3	CARBURETOR .....	0.5
11	3111E1	VALVE SET, FLOAT AND/OR FLOAT SET .....	0.7
13	3111T4	SCREEN, CARBURETOR FUEL STRAINER .....	0.2
15	6211C0	VALVE, CARBURETOR SOLENOID ...	0.6
16	3111C0	INSULATOR, CARBURETOR AND/OR PACKING, INSULATOR .....	0.4
18	3111C8	PACKING, CARBURETOR .....	0.5
		.NOTE: Same time for two units	
19	3121D9	PACKING, AIR CLEANER .....	0.5
20	3121E8	SEAL, AIR CLEANER CASE .....	0.2
22	3121B4	ELBOW, AIR CLEANER .....	0.5
26		(12)	
	3111T5	JET, MAIN :LEFT .....	0.6
27		(12)	
	3111T6	JET, MAIN :RIGHT .....	0.6

Ref. No.	Part No.	Description	Reqd. QTY			Serial No.	Parts catalogue code
			GX 630	GX 660	GX 690		
1	15721-Z6L-000	TUBE, BREATHER .....	1	1	1		
2	16010-Z6L-003	GASKET SET .....	1	1	1		
3	16013-Z6L-003	FLOAT SET .....	1	1	1		
4	16015-Z6L-003	CHAMBER SET, FLOAT .....	1	1	1		
5	16016-Z6L-003	SCREW SET .....	2	2	2		
6	16024-124-760	SCREW SET, DRAIN .....	1	1	1		
7	16100-Z9E-003	CARBURETOR ASSY. (BK07A A) ..	1	-	-		
	16100-Z8N-003	CARBURETOR ASSY. (BK06A A) ..	-	1	-		
	16100-Z6L-003	CARBURETOR ASSY. (BK05A A) ..	-	-	1		
8	16124-ZE0-005	SCREW, THROTTLE STOP .....	1	1	1		
9	16126-Z6L-003	ARM, THROTTLE LINKAGE .....	1	1	1		
10	16148-141-881	CAP, CHOKE DUST .....	1	1	1		
11	16155-Z6L-003	VALVE COMP., FLOAT .....	1	1	1		
12	16166-Z8N-003	NOZZLE, MAIN .....	2	2	-		
	16166-Z6L-003	.....	-	-	2		
13	16176-Z2G-D51	SCREEN, FUEL STRAINER .....	1	1	1		
14	16198-Z6L-000	TUBE, DRAIN .....	1	1	1		
15	16200-Z6L-003	VALVE ASSY., SOLENOID .....	1	1	1		
16	16211-Z6L-000	INSULATOR, CARBURETOR .....	1	1	1		
17	16215-MV4-000	CAP, BOOST .....	-	1	1		----- TAF5
18	16221-Z6L-000	PACKING, CARBURETOR .....	2	2	2		
19	17228-Z6L-000	PACKING, AIR CLEANER .....	1	1	1		
20	17229-Z6L-000	SEAL, AIR CLEANER CASE .....	1	1	1		
21	17369-KB4-670	CLIP, BREATHER TUBE .....	1	1	1		
22	17410-Z6L-000	ELBOW COMP., AIR CLEANER ....	1	1	1		





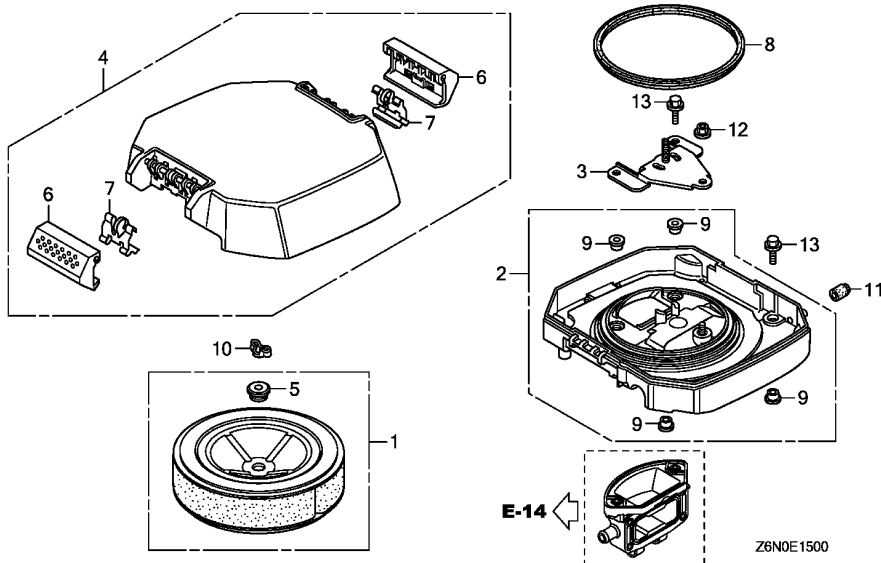
Z6N0E1400

Ref. No.	Part No.	Description	Reqd. QTY			Serial No.	Parts catalogue code
			GX 630	GX 660	GX 690		
23	90003-Z6L-000	BOLT, FLANGE, 6X106 .....	4	4	4		
24	93500-04012-1H	SCREW, PAN, 4X12 .....	4	4	4		
25	95002-02080	CLIP, TUBE (B8) .....	1	1	1		
26	99101-ZH8-0900	JET, MAIN, #90 .....	(1)	-	-		
	99101-ZH8-0950	JET, MAIN, #95 .....	(1)	-	-		
	99101-ZH8-1000	JET, MAIN, #100 .....	-	(1)	-		
	99101-ZH8-1020	JET, MAIN, #102 .....	1	-	-		
	99101-ZH8-1050	JET, MAIN, #105 .....	-	(1)	(1)		
	99101-ZH8-1100	JET, MAIN, #110 .....	-	-	(1)		
	99101-ZH8-1120	JET, MAIN, #112 .....	-	1	-		
	99101-ZH8-1180	JET, MAIN, #118 .....	-	-	1		
27	99101-ZH8-0920	JET, MAIN, #92 .....	(1)	-	-		
	99101-ZH8-0980	JET, MAIN, #98 .....	(1)	-	-		
	99101-ZH8-1000	JET, MAIN, #100 .....	-	(1)	-		
	99101-ZH8-1050	JET, MAIN, #105 .....	1	(1)	(1)		
	99101-ZH8-1100	JET, MAIN, #110 .....	-	-	(1)		
	99101-ZH8-1120	JET, MAIN, #112 .....	-	1	-		
	99101-ZH8-1180	JET, MAIN, #118 .....	-	-	1		
28	99204-ZE2-0400	JET SET, PILOT, #40 .....	2	2	-		
	99204-ZE2-0450	JET SET, PILOT, #45 .....	-	-	2		
29	16081-Z6L-003	SCREW, FLOAT .....	1	1	1		
30	16113-Z6L-003	PLATE .....	1	1	1		
31	93892-05010-18	SCREW-WASHER, 5X10 .....	1	1	1		

# E-15

# AIR CLEANER

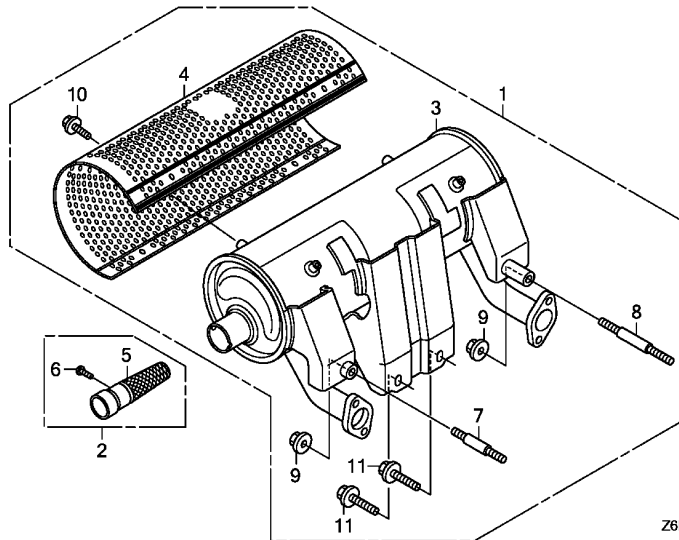
**D 1**



Ref. No.	L.O.N.	(Relative ref. Number) Description	F.R.T.
1	3121B8	ELEMENT, AIR CLEANER ..... .INCLUDES: Air cleaner element -inspection	0.1
2	3121A5	CASE, AIR CLEANER .....	0.2
4	3121B1	COVER, AIR CLEANER .....	0.1
8	3121R3	PACKING, AIR CLEANER CASE ....	0.1

Ref. No.	Part No.	Description	Reqd. QTY			Serial No.	Parts catalogue code
			GX 630	GX 660	GX 690		
1	17210-Z6L-000	ELEMENT COMP., AIR CLEANER ..	1	1	1		
2	17220-Z6L-000	CASE COMP., AIR CLEANER .....	1	1	1		
3	17223-Z6L-000	STAY COMP., AIR CLEANER ELEMENT	1	1	1		
4	17230-Z6L-000	COVER COMP., AIR CLEANER .....	1	1	1		
5	17232-Z2E-000	GROMMET, AIR CLEANER .....	1	1	1		
6	17235-Z6L-300	KNOB, AIR CLEANER COVER .....	2	2	2		
7	17236-Z6L-300	SPRING, AIR CLEANER CASE COVER	2	2	2		
8	17417-Z6L-000	PACKING, AIR CLEANER CASE ...	1	1	1		
9	19619-Z0A-300	COLLAR, FAN COVER .....	4	4	4		
10	90325-044-000	NUT, TOOL BOX SETTING .....	1	1	1		
11	90802-Z6L-000	CAP, SEALING .....	1	1	1		
12	94050-06000	NUT, FLANGE, 6MM .....	1	1	1		
13	95701-06018-00	BOLT, FLANGE, 6X18 .....	4	4	4		

**2**



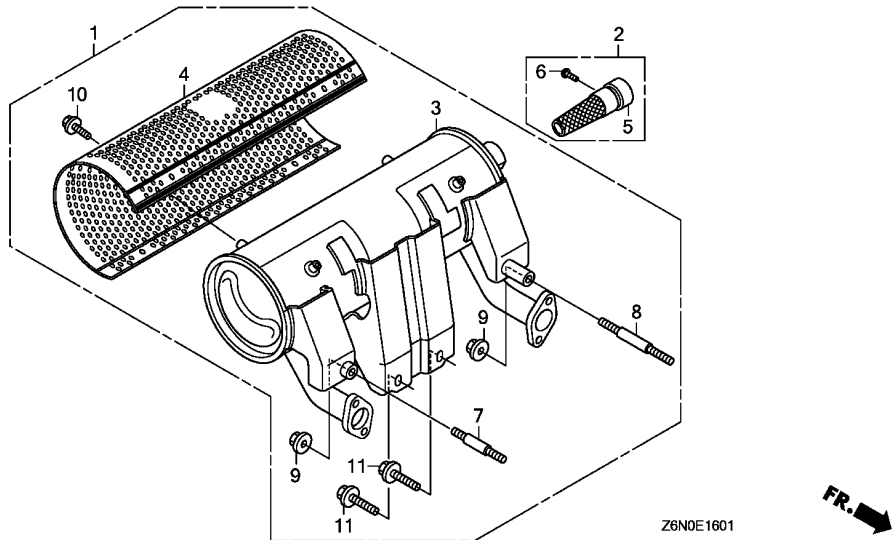
Ref. No.	L.O.N.	(Relative ref. Number) Description	F.R.T.
1	3131C4	MUFFLER KIT .....	0.4
3	3131C5	MUFFLER, EXHAUST .....	0.2
5		(2)	
	3131A1	ARRESTER, SPARK .....	0.1
		.INCLUDES: Spark arrester check	

Ref. No.	Part No.	Description	Reqd. QTY			Serial No.	Parts catalogue code
			GX 630	GX 660	GX 690		
1	06183-Z6L-010	MUFFLER KIT (HIGH-R) .....	(1)	(1)	(1)	-----	QKW1,VAY,VZE1,VZE8
2	06185-Z6L-000	ARRESTER KIT (HIGH) .....	(1)	(1)	(1)	-----	QKW1,VAY,VZE1,VZE8
3	18310-Z6L-003	MUFFLER COMP. (HIGH-R) .....	1	-	-	-----	QWF
4	18321-ZJ1-010	PROTECTOR, MUFFLER (HIGH) (FUTABA)	(1)	(1)	(1)	-----	QKW1,VAY,VZE1,VZE8
			1	-	-	-----	QWF
5	18355-ZJ1-000	ARRESTER, SPARK .....	(1)	(1)	(1)	-----	QKW1,VAY,VZE1,VZE8
6	93901-250J0	SCREW, TAPPING, 5X8 .....	(1)	(1)	(1)	-----	QKW1,VAY,VZE1,VZE8
7	92900-08045-0B	BOLT, STUD, 8X45 .....	1	-	-	-----	QWF
8	92900-08060-0B	BOLT, STUD, 8X60 .....	(1)	(1)	(1)	-----	QKW1,VAY,VZE1,VZE8
9	94050-08000	NUT, FLANGE, 8MM .....	(1)	(1)	(1)	-----	QKW1,VAY,VZE1,VZE8
			2	-	-	-----	QWF
10	95701-06008-00	BOLT, FLANGE, 6X8 .....	(2)	(2)	(2)	-----	QKW1,VAY,VZE1,VZE8
			6	-	-	-----	QWF
11	95701-08020-00	BOLT, FLANGE, 8X20 .....	(6)	(6)	(6)	-----	QKW1,VAY,VZE1,VZE8
			2	-	-	-----	QWF
			(2)	(2)	(2)	-----	QKW1,VAY,VZE1,VZE8

E-16-1

MUFFLER(HIGH-L)

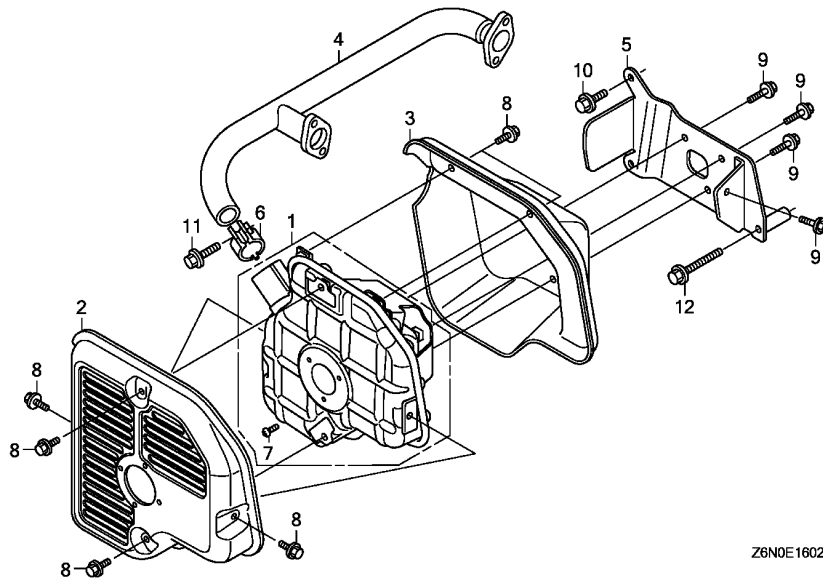
D 3



Ref. No.	L.O.N.	(Relative ref. Number) Description	F.R.T.
1	3131C4	MUFFLER KIT .....	0.4
3	3131C5	MUFFLER, EXHAUST .....	0.2
5		(2)	
	3131A1	ARRESTER, SPARK .....	0.1

Ref. No.	Part No.	Description	Reqd. QTY			Serial No.	Parts catalogue code
			GX 630	GX 660	GX 690		
1	06183-Z6L-801	MUFFLER KIT (HIGH-L) .....	(1)	(1)	(1)	-----	QKW1,VAY,VZE1,VZE8
2	06185-Z6L-000	ARRESTER KIT (HIGH) .....	(1)	(1)	(1)	-----	QKW1,VAY,VZE1,VZE8
3	18310-Z6L-801	MUFFLER COMP. (HIGH-L) .....	1	(1)	(1)	-----	SAE1,VAY
4	18321-ZJ1-010	PROTECTOR, MUFFLER (HIGH) (FUTABA)	(1)	1	1	-----	QKW1,TAF5,TFX3,VZE1,VZE8
5	18355-ZJ1-000	ARRESTER, SPARK .....	(1)	(1)	(1)	-----	QKW1,VAY,VZE1,VZE8
6	93901-250J0	SCREW, TAPPING, 5X8 .....	(1)	(1)	(1)	-----	QKW1,VAY,VZE1,VZE8
7	92900-08045-0B	BOLT, STUD, 8X45 .....	1	(1)	(1)	-----	SAE1,VAY
8	92900-08060-0B	BOLT, STUD, 8X60 .....	(1)	1	1	-----	QKW1,TAF5,TFX3,VZE1,VZE8
9	94050-08000	NUT, FLANGE, 8MM .....	2	(2)	(2)	-----	SAE1,VAY
10	95701-06008-00	BOLT, FLANGE, 6X8 .....	(2)	2	2	-----	QKW1,TAF5,TFX3,VZE1,VZE8
11	95701-08020-00	BOLT, FLANGE, 8X20 .....	6	(6)	(6)	-----	SAE1,VAY
			(6)	6	6	-----	QKW1,TAF5,TFX3,VZE1,VZE8
			2	(2)	(2)	-----	SAE1,VAY
			(2)	2	2	-----	QKW1,TAF5,TFX3,VZE1,VZE8

2



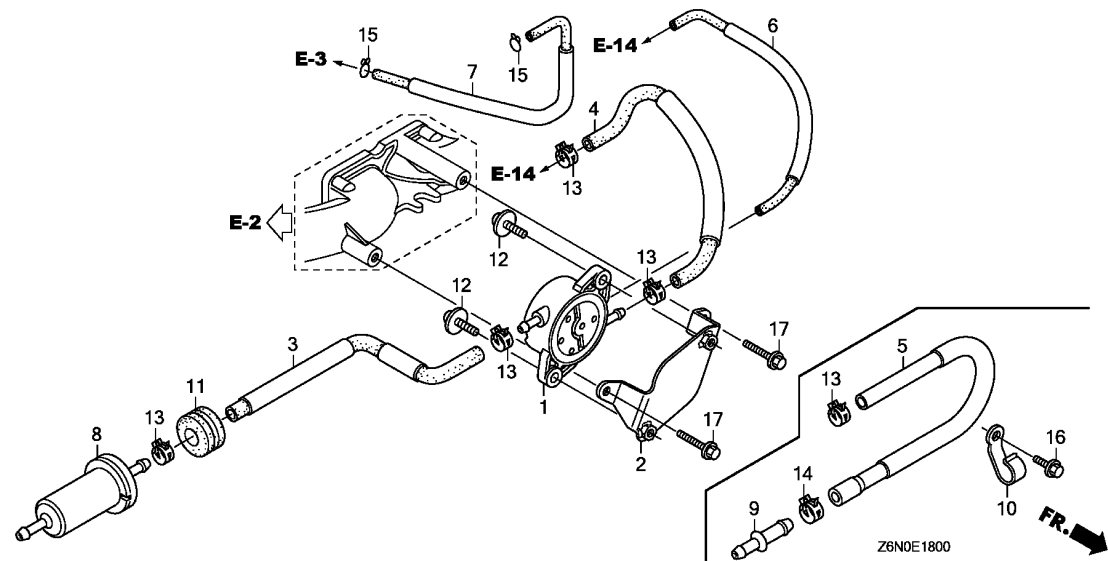
Ref. No.	L.O.N.	(Relative ref. Number) Description	F.R.T.
1	3131F7	MUFFLER, EXHAUST(A) .....	0.3
3	3131D6	PROTECTOR, EXHAUST MUFFLER ...	0.3
4	3131C9	PIPE, EXHAUST .....	0.2

Ref. No.	Part No.	Description	Reqd. QTY			Serial No.	Parts catalogue code
			GX 630	GX 660	GX 690		
1	18310-Z6L-810	MUFFLER COMP. ....	1	-	-	-----	QWD
2	18321-Z6L-801	PROTECTOR, MUFFLER (OUTSIDE) .....	1	-	-	-----	QWD
3	18325-Z6L-800	PROTECTOR, MUFFLER (INSIDE) .....	1	-	-	-----	QWD
4	18330-Z6L-800	PIPE COMP., EX. ....	1	-	-	-----	QWD
5	18338-Z6L-800	STAY, MUFFLER .....	1	-	-	-----	QWD
6	18371-Z6L-000	BAND, MUFFLER .....	1	-	-	-----	QWD
7	93500-04008-4J	SCREW, PAN, 4X8 .....	3	-	-	-----	QWD
8	95701-06008-00	BOLT, FLANGE, 6X8 .....	6	-	-	-----	QWD
9	95701-06012-00	BOLT, FLANGE, 6X12 .....	4	-	-	-----	QWD
10	95701-08020-00	BOLT, FLANGE, 8X20 .....	2	-	-	-----	QWD
11	95701-08030-00	BOLT, FLANGE, 8X30 .....	1	-	-	-----	QWD
12	95701-08060-00	BOLT, FLANGE, 8X60 .....	1	-	-	-----	QWD

# E-18

# FUEL PUMP

**D 5**

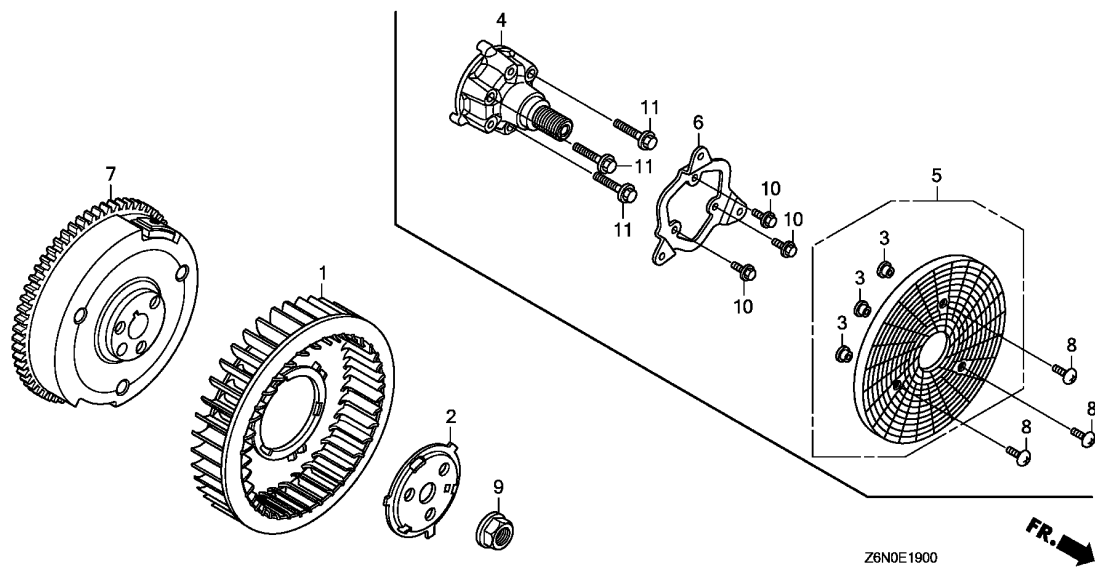


Ref. No.	L.O.N.	(Relative ref. Number) Description	F.R.T.
1	3101H9	PUMP, FUEL	0.3
3	3101L0	TUBE A, FUEL	0.2
4	3101F7	TUBE B, FUEL	0.2
6	3111Q5	TUBE, PURGE	0.2
7	3101E5	TUBE, DIAPHRAGM	0.2
8	3101H8	STRAINER, FUEL	0.1

Ref. No.	Part No.	Description	Reqd. QTY			Serial No.	Parts catalogue code
			GX 630	GX 660	GX 690		
1	16700-Z6L-003	PUMP ASSY., FUEL	1	-	-		
2	16711-Z6L-000	STAY, FUEL PUMP	1	-	-		
3	16850-Z6L-000	TUBE COMP. A, FUEL (FKM)	1	1	1	----- TXF3,VAY	
4	16860-Z6L-000	TUBE COMP. B, FUEL (FKM)	1	-	-	----- TXF3,VAY	
5	16860-Z6L-800	TUBE COMP. B, FUEL (FKM)	-	1	1	----- TAF5	
6	16870-Z6L-000	TUBE, PURGE	1	-	-	----- TXF3,VAY	
7	16882-Z6L-000	TUBE, DIAPHRAGM	1	-	-	----- TXF3,VAY	
8	16910-Z6L-003	STRAINER COMP., FUEL	1	1	1		
9	17526-MCA-000	JOINT, FUEL RETURN	-	1	1	----- TAF5	
10	55109-GAA-000	CLAMP, OIL HOSE	-	1	1	----- TAF5	
11	80152-958-680	RUBBER, RR. FENDER	1	1	1		
12	93894-06016-00	SCREW-WASHER, 6X16	2	-	-		
13	95002-41000-08	CLAMP, TUBE (D10)	4	-	-	----- TXF3,VAY	
			-	3	3	----- TAF5	
			-	4	4	----- TXF3,VAY	
14	95002-41200-08	CLAMP, TUBE (D12)	-	1	1	----- TAF5	
15	95002-70000	CLIP, TUBE (C11)	2	-	-		
			-	2	2	----- TXF3,VAY	
16	95701-06012-00	BOLT, FLANGE, 6X12	-	1	1	----- TAF5	
17	95701-06014-00	BOLT, FLANGE, 6X14	2	-	-		
			-	2	2	----- TXF3,VAY	

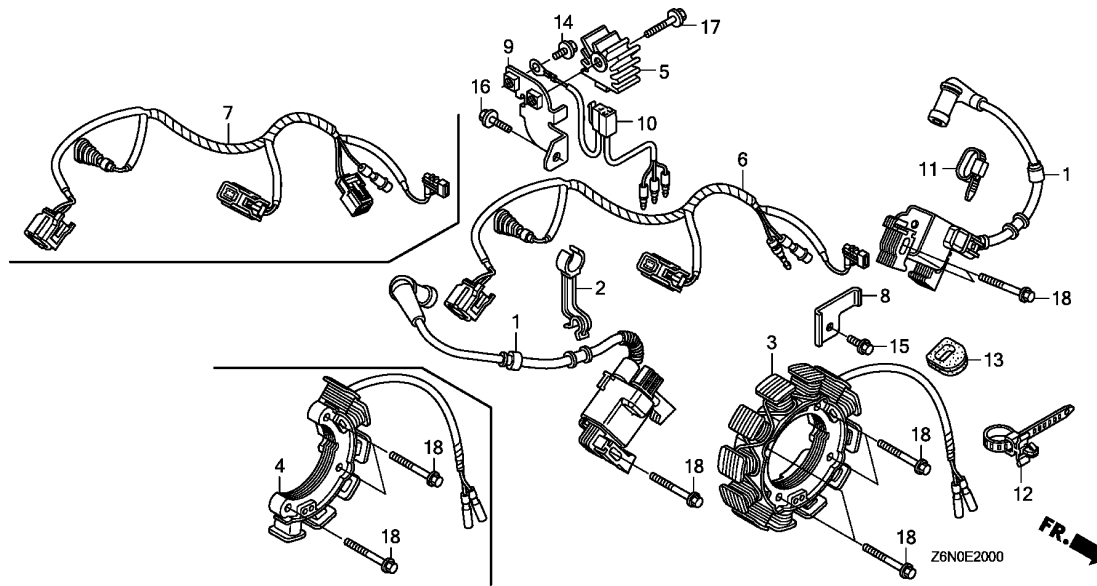
**2**





Ref. No.	L.O.N.	(Relative ref. Number) Description	F.R.T.
1	1141G7	FAN, ENGINE COOLING .....	0.7
4	2141H3	SHAFT, POWER TAKE OFF :FRONT .	0.3
5	6201A5	GRID, SCREEN .....	0.1
7	2161B5	FLYWHEEL .....	0.8

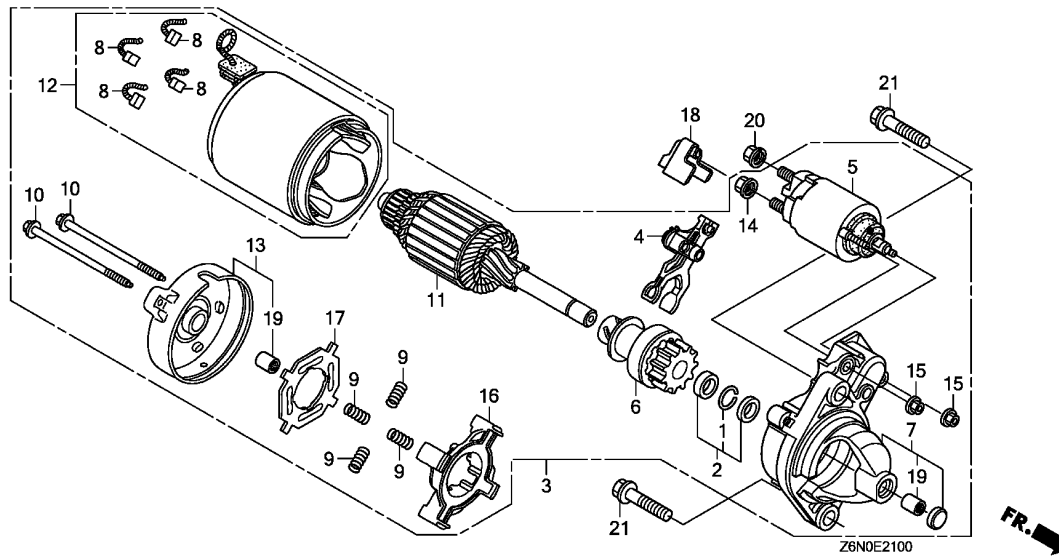
Ref. No.	Part No.	Description	Reqd. QTY			Serial No.	Parts catalogue code
			GX 630	GX 660	GX 690		
1	19511-Z6L-000	FAN, COOLING .....	1	1	1		
2	19513-Z6L-000	PLATE, COOLING FAN SETTING ..	1	1	1		
3	19619-Z0A-300	COLLAR, FAN COVER .....	3	-	-	-----	QWD
4	23311-Z6L-800	SHAFT, FR. P.T.O. (HS) .....	1	-	-	-----	QWD
5	28452-Z6L-810	GRID, SCREEN (P.T.O.) .....	1	-	-	-----	QWD
6	28454-Z6L-810	HOLDER, SCREEN GRID (P.T.O.)	1	-	-	-----	QWD
7	31110-Z6L-003	FLYWHEEL COMP. ....	1	1	1		
8	90131-S0X-A00	SCREW, TRUSS, 6X16 .....	3	-	-	-----	QWD
9	90201-Z6L-000	NUT, SPECIAL (20MM) .....	1	1	1		
10	95701-06012-00	BOLT, FLANGE, 6X12 .....	3	-	-	-----	QWD
11	95701-08050-00	BOLT, FLANGE, 8X50 .....	3	-	-	-----	QWD



Ref. No.	L.O.N.	(Relative ref. Number) Description	F.R.T.
1	6141A3	COIL, IGNITION :LEFT .....	0.5
	6141A4	COIL, IGNITION :RIGHT .....	0.4
3		(4)	
	6131C3	COIL, CHARGE .....	0.9
5	6131B7	RECTIFIER, REGULATOR .....	0.2
6		(7)	
	6111C0	HARNESS, ENGINE WIRE .....	0.3

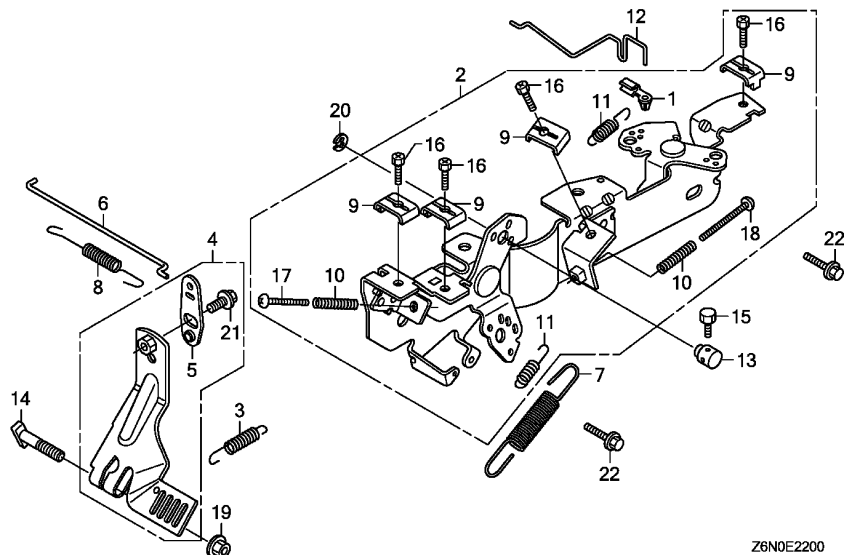
Ref. No.	Part No.	Description	Reqd. QTY			Serial No.	Parts catalogue code
			GX 630	GX 660	GX 690		
1	30500-Z6L-003	COIL ASSY., IGNITION .....	2	2	2		
2	30551-Z6L-000	CLAMP, HIGH TENSION CORD ....	1	1	1		
3	31630-Z6L-003	COIL ASSY., CHARGE (17A) ....	1	1	1	-----	QWD,QWF,TAF5,VAY
4	31630-Z6L-801	COIL ASSY., CHARGE (2.7A) ...	1	1	1	-----	QKW1,SAE1,TFX3,VZE1,VZE8
5	31750-735-013	RECTIFIER COMP., REGULATOR (5A)	1	1	1	-----	QKW1,SAE1,TFX3,VZE1,VZE8
6	32110-Z6L-000	HARNESS ASSY., ENGINE WIRE ..	1	1	1	-----	QWD,QWF,SAE1,TAF5
	32110-Z6L-800	.....	1	-	-	-----	VZE8
7	32110-Z6L-810	HARNESS ASSY., ENGINE WIRE ..	1	1	1	-----	QKW1,TFX3,VZE1
	32110-Z6L-840	.....	-	1	1	-----	VAY
8	32114-Z6L-000	BRACKET, HARNESS .....	1	1	1		
9	32115-Z6L-000	BRACKET, REGULATOR RECTIFIER	1	1	1	-----	QKW1,SAE1,TFX3,VZE1,VZE8
10	32183-Z6L-000	HARNESS ASSY., REGULATOR RECTIFIER	1	1	1	-----	QKW1,SAE1,TFX3,VZE1,VZE8
11	90650-KV6-003	BAND, WIRE, 95MM .....	1	1	1		
12	90672-SB2-003	STRAP, CABLE, 105MM(BLACK) ..	1	1	1	-----	QWD,QWF,SAE1,TAF5,VZE8
13	91601-Z6L-000	GROMMET, CORD .....	1	1	1		
14	95701-06008-00	BOLT, FLANGE, 6X8 .....	1	1	1	-----	QKW1,SAE1,TFX3,VZE1,VZE8
15	95701-06012-00	BOLT, FLANGE, 6X12 .....	1	1	1		
16	95701-06014-00	BOLT, FLANGE, 6X14 .....	1	1	1	-----	QKW1,SAE1,TFX3,VZE1,VZE8
17	95701-06030-00	BOLT, FLANGE, 6X30 .....	1	1	1	-----	QKW1,SAE1,TFX3,VZE1,VZE8
18	95701-06032-00	BOLT, FLANGE, 6X32 .....	7	8	8	-----	QKW1,SAE1,TAF5,VAY,VZE1,VZE8
			8	7	7	-----	QWD,QWF,TFX3





Ref. No.	L.O.N.	(Relative ref. Number) Description	F.R.T.
3	6121D5	MOTOR, STARTER .....	0.2
5	6121C9	SWITCH, STARTER MAGNETIC .....	0.4
6		(1,2)	
	6121B0	CLUTCH, OVERRUNNING .....	0.6
8	6121A9	BRUSH, STARTER .....	0.5
11	6121A0	ARMATURE, STARTER .....	0.7
12	6121D1	YOKE, STARTER .....	0.4
16		(9)	
	6121B6	HOLDER, STARTER BRUSH .....	0.3

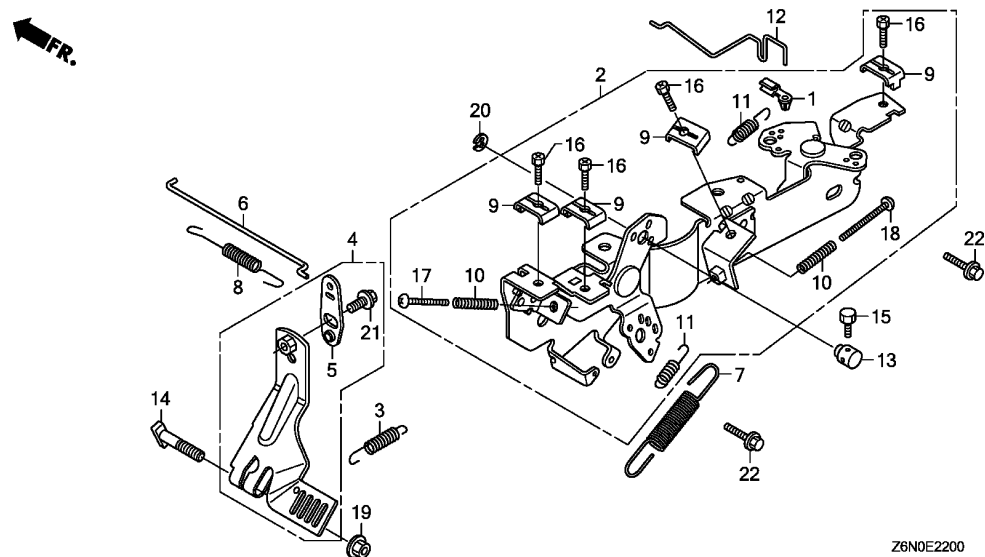
Ref. No.	Part No.	Description	Reqd. QTY			Serial No.	Parts catalogue code
			GX 630	GX 660	GX 690		
1	30201-PH9-004	RING, SNAP (DENSO) .....	1	1	1		
2	30202-PZ1-003	COLLAR SET, CLUTCH STOP .....	1	1	1		
3	31200-Z6L-003	MOTOR ASSY., STARTER .....	1	1	1		
4	31203-PH9-004	LEVER, PINION DRIVE .....	1	1	1		
5	31204-ZJ1-H02	SWITCH ASSY., MAGNET .....	1	1	1		
6	31207-ZE9-H01	CLUTCH COMP., OVERRUNNING ...	1	1	1		
7	31208-Z6L-003	HOUSING COMP., DRIVE SIDE ...	1	1	1		
8	31211-PH9-004	BRUSH .....	4	4	4		
9	31212-PH9-004	SPRING, BRUSH .....	4	4	4		
10	31214-PH9-004	BOLT, THROUGH .....	2	2	2		
11	31217-Z0A-003	ARMATURE COMP. ....	1	1	1		
12	31218-P64-N01	YOKE COMP. ....	1	1	1		
13	31219-Z6L-003	FRAME COMP., COMMUTATOR END ..	1	1	1		
14	31220-PH9-004	NUT, HEX., 8MM .....	1	1	1		
15	31223-PA0-006	NUT, HEX. ....	2	2	2		
16	31231-PH9-004	HOLDER, BRUSH .....	1	1	1		
17	31233-PH9-004	INSULATOR, BRUSH HOLDER .....	1	1	1		
18	31234-Z6L-000	COVER, TERMINAL .....	1	1	1		
19	91002-ZG4-801	BEARING A .....	2	2	2		
20	94070-08080	NUT-WASHER, 8MM .....	1	1	1		
21	95701-10040-00	BOLT, FLANGE, 10X40 .....	2	2	2		



Ref. No.	L.O.N.	(Relative ref. Number) Description	F.R.T.
2	1161A5	CONTROL, THROTTLE/GOVERNOR ...	0.4
4	1161A0	ARM, GOVERNOR .....	0.3
6	1161B1	ROD, GOVERNOR .....	0.2
7	1161C5	SPRING, GOVERNOR .....	0.1
8	1161C2	SPRING, THROTTLE RETURN .....	0.2

Ref. No.	Part No.	Description	Reqd. QTY			Serial No.	Parts catalogue code
			GX 630	GX 660	GX 690		
1	16263-Z0G-010	JOINT, ROD .....	1	1	1		
2	16500-Z6L-000	CONTROL ASSY. ....	1	-	-	-----	QKW1,QWD,QWF,SAE1,VZE1
	16500-Z6L-800	.....	1	-	-	-----	VZE8
3	16534-Z6L-000	SPRING, STARTER .....	1	1	1		
4	16550-Z6L-000	ARM COMP., GOVERNOR .....	1	1	1		
5	16553-Z6L-000	ARM, SUB .....	1	1	1		
6	16555-Z6L-000	ROD, GOVERNOR .....	1	1	1		
7	16561-Z6L-000	SPRING, GOVERNOR .....	1	1	1		
8	16562-Z6L-000	SPRING, THROTTLE RETURN .....	1	1	1		
9	16576-891-000	HOLDER, CABLE .....	4	4	4		
10	16584-883-300	SPRING, CONTROL ADJUSTING ...	1	-	-	-----	VZE8
			2	-	-	-----	QKW1,QWD,QWF,SAE1,VZE1
			-	2	2		
11	16592-ZJ1-000	SPRING, CABLE RETURN .....	2	2	2		
12	16611-Z6L-000	ROD, CHOKE CONTROL .....	1	1	1		
13	16617-Z6L-000	HOLDER, CABLE .....	1	1	1	-----	QKW1,VAY,VZE1
14	90015-ZE3-790	BOLT, GOVERNOR ARM .....	1	1	1		
15	92301-04006-0H	BOLT, RECESSED, 4X6 .....	1	1	1	-----	QKW1,VAY,VZE1
16	92301-05016-0A	BOLT, RECESSED, 5X16 .....	4	4	4		
17	93500-05030-0A	SCREW, PAN, 5X30 .....	1	-	-	-----	QKW1,QWD,QWF,SAE1,VZE1
			-	1	1		
	93500-05045-0A	SCREW, PAN, 5X45 .....	1	-	-	-----	VZE8
18	93500-05040-0A	SCREW, PAN, 5X40 .....	1	-	-	-----	QKW1,QWD,QWF,SAE1,VZE1
			-	1	1		
19	94050-06000	NUT, FLANGE, 6MM .....	1	1	1		



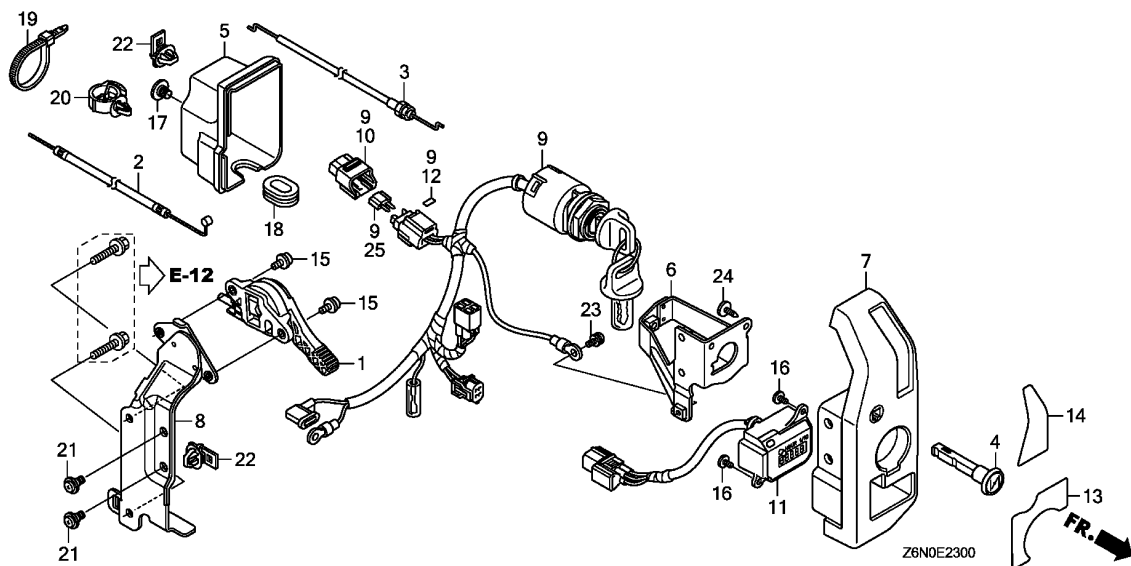


Z6N0E2200

Ref. No.	Part No.	Description	Reqd. QTY			Serial No.	Parts catalogue code
			GX 630	GX 660	GX 690		
20	94540-05018	E-RING, 5MM .....	1	1	1	-----	QKW1,VAY,VZE1
21	95701-06010-00	BOLT, FLANGE, 6X10 .....	1	1	1		
22	95701-06014-00	BOLT, FLANGE, 6X14 .....	2	2	2		

E-23

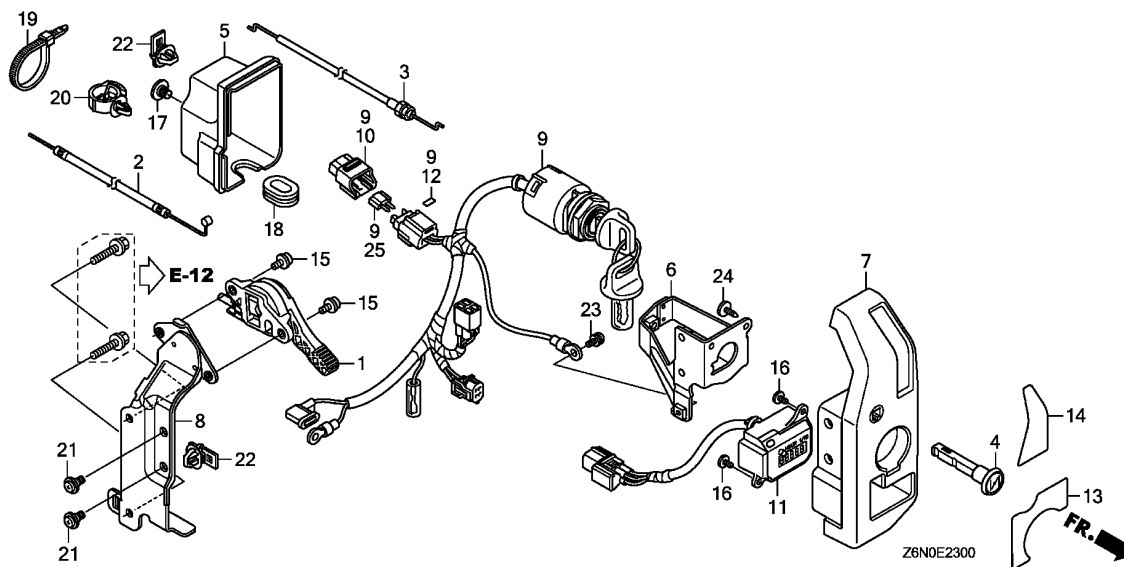
CONTROL BOX



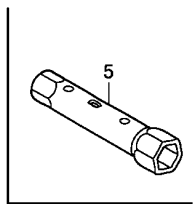
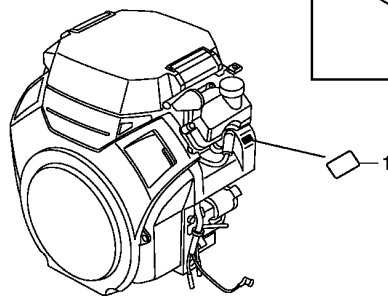
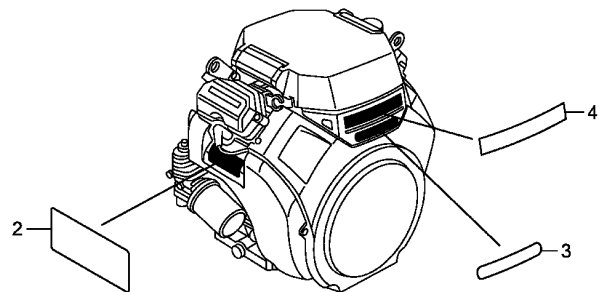
Ref. No.	L.O.N.	(Relative ref. Number) Description	F.R.T.
2	8111C8	CABLE, THROTTLE .....	0.2
3	8111A9	CABLE, CHOKE .....	0.2
9	6151E1	SWITCH, COMBINATION .....	0.4
11	812113	METER, HOUR .....	0.3

Ref. No.	Part No.	Description	Reqd. QTY			Serial No.	Parts catalogue code
			GX 630	GX 660	GX 690		
1	17850-Z6L-003	LEVER ASSY., THROTTLE .....	1	1	1	-----	QKW1,VAY,VZE1
2	17910-Z6L-000	CABLE COMP., THROTTLE .....	1	1	1	-----	QKW1,VAY,VZE1
3	17950-Z6L-000	CABLE COMP., CHOKE .....	1	1	1	-----	QKW1,TXF3,VAY,VZE1
4	17951-ZV1-000	KNOB, CHOKE .....	1	1	1	-----	QKW1,TXF3,VAY,VZE1
5	31612-Z6L-000	COVER, CONTROL .....	1	1	1	-----	QKW1,TXF3,VAY,VZE1
6	31614-Z6L-000	BRACKET, SWITCH BOX .....	1	1	1	-----	QKW1,TXF3,VAY,VZE1
7	32346-Z6L-000	PANEL, CONTROL .....	1	1	1	-----	QKW1,VAY,VZE1
	32346-Z6L-800	.....	-	1	1	-----	TXF3
8	32347-Z6L-000	BRACKET, CONTROL BOX .....	1	1	1	-----	QKW1,TXF3,VAY,VZE1
9	35100-Z6L-003	SWITCH ASSY., COMBINATION ...	1	1	1	-----	QKW1,TXF3,VAY,VZE1
10	38216-Z2E-003	COVER ASSY., FUSE .....	1	1	1	-----	QKW1,TXF3,VAY,VZE1
11	39700-Z6L-003	METER ASSY., HOUR .....	1	1	1	-----	QKW1,TXF3,VAY,VZE1
12	87117-Z2E-800	LABEL, FUSE (30A) .....	1	1	1	-----	QKW1,TXF3,VAY,VZE1
13	87501-Z6L-000	MARK, ENGINE SWITCH .....	1	-	-	-----	VZE1
	87501-Z6L-800	.....	1	1	1	-----	QKW1,TXF3,VAY
14	87502-Z6L-000	MARK, THROTTLE SWITCH .....	1	1	1	-----	QKW1,VAY,VZE1
	87502-Z6L-800	.....	-	1	1	-----	TXF3
15	90011-Z0H-811	BOLT, SOCKET, 5X9 .....	2	2	2	-----	QKW1,VAY,VZE1
16	90101-SP1-003	SCREW, TAPPING, 3X8(P0) .....	2	2	2	-----	QKW1,TXF3,VAY,VZE1
17	90380-MB2-000	SCREW, SPECIAL, 6X8 .....	1	1	1	-----	QKW1,TXF3,VAY,VZE1
18	90601-Z6L-000	GROMMET, CONTROL BOX .....	1	1	1	-----	QKW1,TXF3,VAY,VZE1
19	90650-KV6-003	BAND, WIRE, 95MM .....	1	1	1	-----	QKW1,TXF3,VAY,VZE1
20	90681-763-A01	CLIP, WIRE HARNESS .....	1	1	1	-----	QKW1,TXF3,VAY,VZE1
21	91508-GN2-000	SCREW, PAN, 5X10.5 .....	2	2	2	-----	QKW1,TXF3,VAY,VZE1
22	91565-SEL-003	CLIP, COUPLER (BLACK) .....	2	2	2	-----	QKW1,TXF3,VAY,VZE1





Ref. No.	Part No.	Description	Reqd. QTY			Serial No.	Parts catalogue code
			GX 630	GX 660	GX 690		
23	93893-05008-07	SCREW-WASHER, 5X8 .....	1	1	1	-----	QKW1,TXF3,VAY,VZE1
24	93913-25310	SCREW, TAPPING, 5X14(P0) ....	1	1	1	-----	QKW1,TXF3,VAY,VZE1
25	98200-43000	FUSE, MINI (30A) .....	1	1	1	-----	QKW1,TXF3,VAY,VZE1



Z6N0E2800

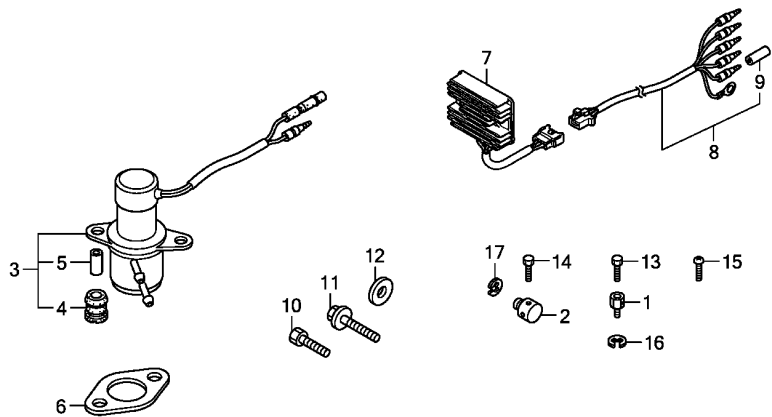
Ref. L.O.N. (Relative ref. Number) F.R.T.  
No. Description

NO INFORMATION .....

Ref. No.	Part No.	Description	Reqd. QTY			Serial No.	Parts catalogue code
			GX 630	GX 660	GX 690		
1	87114-ZH7-000	LABEL, WARNING (NOT CERTIFIED FOR SALE)	1	1	1		
2	87516-ZH7-010	MARK, OPERATOR CAUTION .....	1	1	1	-----	VAY,VZE1,VZE8
	87516-Z2E-000	.....	1	1	1	-----	QWD,QWF,SAE1,TAF5,TFX3
3	87521-Z6N-000	EMBLEM (GX630) .....	1	-	-		
	87521-Z8N-000	EMBLEM (GX660) .....	-	1	-		
	87521-Z6L-000	EMBLEM (GX690) .....	-	-	1		
4	87531-Z6L-000	MARK, HONDA .....	1	1	1		
5	99004-16170	WRENCH, BOX (P16X17) .....	1	1	1	-----	QKW1,QWD,SAE1,TAF5,TFX3





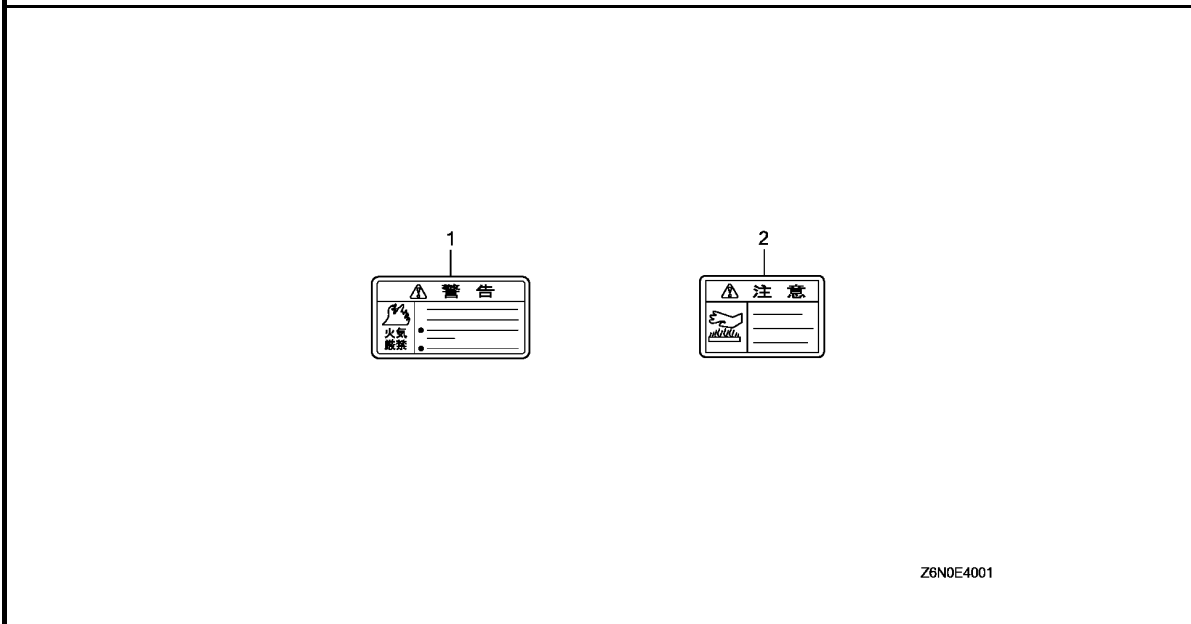


Z6N0E4000

Ref. L.O.N. (Relative ref. Number) F.R.T.  
No. Description

NO INFORMATION .....

Ref. No.	Part No.	Description	Reqd. QTY			Serial No.	Parts catalogue code
			GX 630	GX 660	GX 690		
1	16594-883-010	HOLDER, WIRE .....	1	1	1	-----	QWD,QWF,SAE1,TAF5,TXF3,VZE8
2	16617-Z6L-000	HOLDER, CABLE .....	1	1	1	-----	QWD,QWF,SAE1,TAF5,TXF3
3	16700-758-003	PUMP ASSY., FUEL .....	-	1	1	-----	TAF5
4	16711-679-000	RUBBER, FUEL PUMP MOUNTING ..	-	2	2	-----	TAF5
5	16712-657-300	COLLAR, FUEL PUMP DISTANCE ..	-	2	2	-----	TAF5
6	18333-ZE3-800	GASKET, EX. PIPE .....	2	2	2	-----	
7	31750-Z2E-803	RECTIFIER ASSY., REGULATOR (20A)	1	1	1	-----	QWD,QWF,TAF5,VAY
8	32105-Z6L-000	HARNESS ASSY., SUB WIRE .....	1	1	1	-----	QWD,QWF,TAF5,VAY
9	32824-ZV5-003	PLUG, OUTER CONNECTOR .....	1	1	1	-----	QWD,QWF,TAF5,VAY
10	90003-ZE3-600	BOLT, HEX., 3/8-24UNF(25MM) ..	1	-	-	-----	QWF
11	90102-VA4-000	BOLT, ENGINE SETTING .....	3	-	-	-----	QWF
12	90471-ZE3-000	WASHER, 10.5X40X4 .....	1	-	-	-----	QWF
13	92301-04006-0H	BOLT, RECESSED, 4X6 .....	1	1	1	-----	QWD,QWF,SAE1,TAF5,TXF3,VZE8
14	92301-04006-0H	BOLT, RECESSED, 4X6 .....	1	1	1	-----	QWD,QWF,SAE1,TAF5,TXF3
15	93500-04008-0A	SCREW, PAN, 4X8 .....	-	1	-	-----	TAF5
16	94540-05018	E-RING, 5MM .....	1	1	1	-----	QWD,QWF,SAE1,TAF5,TXF3,VZE8
17	94540-05018	E-RING, 5MM .....	1	1	1	-----	QWD,QWF,SAE1,TAF5,TXF3



Z6N0E4001

Ref. L.O.N. (Relative ref. Number) F.R.T.  
No. Description

NO INFORMATION .....

Ref. No.	Part No.	Description	Reqd. QTY			Serial No.	Parts catalogue code
			GX 630	GX 660	GX 690		

1	87106-737-J00	MARK, FUEL WARNING .....	1	-	-	-----	QWF
2	87539-737-J00	MARK, HEAT CAUTION .....	1	1	1	-----	QWD,QWF,SAE1,TAF5,TF3





# PART NO. INDEX

E 2

Part Number	Address	Page	Ref.	Part Number	Address	Page	Ref.	Part Number	Address	Page	Ref.	Part Number	Address	Page	Ref.
90003-Z6L-000	C16	32	23	92900-08022-0E	C1	17	12								
90003-ZE3-600	D14	46	10	92900-08045-0B	D2	34	7	95701-06018-00	D1	33	13				
90005-Z6L-000	C14	30	9		D3	35	7	95701-06020-00	C6	22	28				
90011-Z0H-811	D11	43	15	92900-08060-0B	D2	34	8		C14	30	13				
90012-Z6L-000	C9	25	15		D3	35	8	95701-06022-00	C9	25	19				
90015-ZE3-790	D9	41	14	92900-10040-0B	C3	19	18	95701-06028-00	C6	22	29				
90101-SP1-003	D11	43	16					95701-06030-00	C1	17	15				
90102-VA4-000	D14	46	11	93000					D7	39	17				
90131-SOX-A00	D6	38	8					95701-06032-00	D7	39	18				
90201-Z6L-000	D6	38	9	93500-03008-0A	C3	19	19	95701-06035-00	C6	22	30				
90206-Z6L-000	C9	25	16	93500-04008-0A	D14	46	15	95701-06050-00	C1	17	16				
90325-044-000	D1	33	10	93500-04008-4J	D4	36	7	95701-06090-00	C6	22	31				
90380-GM9-740	C14	30	10	93500-04012-1H	C16	32	24	95701-08016-00	C1	17	17				
90380-MB2-000	D11	43	17	93500-05030-0A	D9	41	17	95701-08020-00	D2	34	11				
90402-Z6L-000	C7	23	6	93500-05040-0A	D9	41	18		D3	35	11				
90403-Z6L-000	C5	21	18	93500-05045-0A	D9	41	17		D4	36	10				
90404-Z6L-000	C3	19	11	93892-05010-18	C16	32	31	95701-08030-00	D4	36	11				
90471-ZE3-000	D14	46	12	93893-05008-07	D12	44	23	95701-08045-00	C6	22	32				
90551-ZE1-000	C8	24	7	93894-06016-00	D5	37	12	95701-08050-00	D6	38	11				
90601-Z6L-000	D11	43	18	93901-250J0	D2	34	6	95701-08060-00	D4	36	12				
90602-ZE1-000	C5	21	19		D3	35	6	95701-10040-00	D8	40	21				
	C9	25	17	93913-25310	D12	44	24								
90650-KV6-003	D7	39	11	93913-25580	C14	30	11	98000							
	D11	43	19												
90672-SB2-003	D7	39	12	94000				98079-5587G	C1	17	18				
90681-763-A01	D11	43	20					98200-43000	D12	44	25				
90705-Z6L-000	C8	24	8	94050-06000	D1	33	12								
90707-Z6L-000	C5	21	20		D9	41	19	99000							
	C9	25	18	94050-08000	C1	17	13								
90708-Z6L-000	C5	21	21		D2	34	9	99004-16170	D13	45	5				
90709-Z6L-000	C3	19	12		D3	35	9	99101-ZH8-0900	C16	32	26				
90741-ZE2-000	C7	23	7	94050-10000	C1	17	14	99101-ZH8-0920	C16	32	27				
90745-ZE2-600	C7	23	8	94070-08080	D8	40	20	99101-ZH8-0950	C16	32	26				
90802-Z6L-000	D1	33	11	94109-20000	C3	19	20	99101-ZH8-0980	C16	32	27				
90902-Z6L-000	C6	22	22	94251-10000	C3	19	21	99101-ZH8-1000	C16	32	26				
				94540-05018	D10	42	20								
91000					D14	46	16	99101-ZH8-1020	C16	32	26				
								99101-ZH8-1050	C16	32	26				
91002-ZG4-801	D8	40	19												
91201-Z6L-003	C3	19	13	95000				99101-ZH8-1100	C16	32	26				
91202-Z6L-003	C6	22	23												
91203-Z6L-003	C3	19	14	95002-02080	C16	32	25	99101-ZH8-1120	C16	32	26				
91301-Z6L-003	C6	22	24	95002-41000-08	D5	37	13								
91302-Z6L-003	C6	22	25	95002-41200-08	D5	37	14	99101-ZH8-1180	C16	32	26				
91308-PH9-000	C6	22	26	95002-70000	D5	37	15								
91308-Z6L-003	C3	19	15	95701-06008-00	D2	34	10	99204-ZE2-0400	C16	32	28				
	C6	22	27		D3	35	10	99204-ZE2-0450	C16	32	28				
91309-Z6L-000	C3	19	16		D4	36	8								
91508-GN2-000	D11	43	21		D7	39	14								
91565-SEL-003	D11	43	22	95701-06010-00	D10	42	21								
91601-Z6L-000	D7	39	13	95701-06012-00	D4	36	9								
					D5	37	16								
92000					D6	38	10								
					D7	39	15								
92301-04006-0H	D9	41	15	95701-06014-00	C4	20	22								
	D14	46	13		D5	37	17								
					D7	39	16								
92301-05016-0A	D9	41	16		D10	42	22								
92800-20000	C3	19	17	95701-06016-00	C4	20	23								

3

# PART NAME INDEX

F 1

Part name	Address	Page	Ref.	Part name	Address	Page	Ref.	Part name	Address	Page	Ref.
[ A ]											
ARMATURE COMP. ....	D8	40	11	BOLT, FLANGE, 8X50 .....	D6	38	11	CONTROL ASSY. ....	D9	41	2
ARM COMP., GOVERNOR .....	D9	41	4	BOLT, FLANGE, 8X60 .....	D4	36	12	COVER ASSY., CRANKCASE .....	C5	21	1
ARM, SUB .....	D9	41	5	BOLT, GOVERNOR ARM .....	D9	41	14	COVER ASSY., FUSE .....	D11	43	10
ARM, THROTTLE LINKAGE .....	C15	31	9	BOLT, HEX., 3/8-24UNF .....	D14	46	10	COVER COMP., AIR CLEANER .....	D1	33	4
ARM, VALVE ROCKER .....	C9	25	4	BOLT, RECESSED, 4X6 .....	D9	41	15	COVER COMP., FAN .....	C14	30	2
ARRESTER KIT .....	D2	34	2		D14	46	13	COVER, BREATHER .....	C3	19	2
	D3	35	2	BOLT, RECESSED, 5X16 .....	D9	41	16	COVER, CONTROL .....	D11	43	5
ARRESTER, SPARK .....	D2	34	5	BOLT, SEALING .....	C3	19	4	COVER, CYLINDER HEAD .....	C1	17	4
	D3	35	5		C5	21	10				
[ B ]											
BALL, STEEL, .....	C6	22	22	BOLT, SOCKET, 5X9 .....	D11	43	15	COVER, FUEL PUMP .....	C14	30	1
BAND, MUFFLER .....	D4	36	6	BOLT, STUD, 10X40 .....	C3	19	18	COVER, TERMINAL .....	D8	40	18
BAND, WIRE, 95MM .....	D7	39	11	BOLT, STUD, 8X22 .....	C1	17	12	CRANKCASE ASSY. ....	C3	19	1
	D11	43	19	BOLT, STUD, 8X45 .....	D2	34	7	CRANKSHAFT COMP. ....	C7	23	1
BASE COMP., OIL FILTER .....	C5	21	7		D3	35	7				
			8	BOLT, STUD, 8X60 .....	D2	34	8				
BEARING A .....	D8	40	19		D3	35	8				
BEARING A, CONNECTING ROD .....	C8	24	5	BOLT, THROUGH .....	D8	40	10				
BOLT, CONNECTING ROD, 7X38 .....	C8	24	6	BRACKET, CONTROL BOX .....	D11	43	8	[ D ]			
BOLT, DRAIN PLUG, 20MM .....	C3	19	17	BRACKET, HARNESS .....	D7	39	8	DOWEL PIN, 12X20 .....	C3	19	12
BOLT, ENGINE SETTING .....	D14	46	11	BRACKET, REGULATOR RECTIFIER ..	D7	39	9	DOWEL PIN, 8X10 .....	C5	21	20
BOLT, FLANGE, 10X40 .....	D8	40	21	BRACKET, SWITCH BOX .....	D11	43	6		C9	25	18
BOLT, FLANGE, 6X10 .....	D10	42	21	BRUSH .....	D8	40	8	DOWEL PIN, 8X14 .....	C5	21	21
BOLT, FLANGE, 6X106 .....	C16	32	23	[ C ]				DOWEL PIN, 9X10 .....	C8	24	8
BOLT, FLANGE, 6X12 .....	D4	36	9	CABLE COMP., CHOKE .....	D11	43	3				
	D5	37	16	CABLE COMP., THROTTLE .....	D11	43	2	[ E ]			
	D6	38	10	CAMSHAFT ASSY. ....	C9	25	2	ELBOW COMP., AIR CLEANER .....	C15	31	22
	D7	39	15	CAP ASSY., OIL FILLER .....	C1	17	7	ELEMENT COMP., AIR CLEANER .....	D1	33	1
BOLT, FLANGE, 6X14 .....	C4	20	22	CAP, BOOST .....	C15	31	17	EMBLEM .....	D13	45	3
	D5	37	17	CAP, CHOKE DUST .....	C15	31	10	E-RING, 5MM .....	D10	42	20
	D7	39	16	CAP, SEALING .....	D1	33	11		D14	46	16
	D10	42	22	CARBURETOR ASSY. ....	C15	31	7				17
BOLT, FLANGE, 6X16 .....	C4	20	23	CARTRIDGE, OIL FILTER .....	C5	21	6	[ F ]			
	C14	30	12	CASE COMP., AIR CLEANER .....	D1	33	2	FAN, COOLING .....	D6	38	1
BOLT, FLANGE, 6X18 .....	D1	33	13	CHAMBER SET, FLOAT .....	C15	31	4	FILTER, BREATHER .....	C3	19	3
BOLT, FLANGE, 6X20 .....	C6	22	28	CLAMP, HIGH TENSION CORD .....	D7	39	2	FLOAT SET .....	C15	31	3
	C14	30	13	CLAMP, OIL HOSE .....	D5	37	10	FLYWHEEL COMP. ....	D6	38	7
BOLT, FLANGE, 6X22 .....	C9	25	19	CLAMP, TUBE .....	D5	37	13	FRAME COMP., COMMUTATOR END ..	D8	40	13
BOLT, FLANGE, 6X28 .....	C6	22	29	CLIP, BREATHER TUBE .....	C15	31	21	FUSE, MINI .....	D12	44	25
BOLT, FLANGE, 6X30 .....	C1	17	15	CLIP, COUPLER .....	D11	43	22				
	D7	39	17	CLIP, GOVERNOR HOLDER .....	C5	21	19	[ G ]			
	D7	39	18		C9	25	17	GASKET SET .....	C15	31	2
BOLT, FLANGE, 6X32 .....	D7	39	18	CLIP, PISTON PIN, 18MM .....	C8	24	7	GASKET, EX. PIPE .....	D14	46	6
BOLT, FLANGE, 6X35 .....	C6	22	30	CLIP, TUBE .....	C16	32	25	GAUGE COMP., OIL LEVEL .....	C5	21	11
BOLT, FLANGE, 6X50 .....	C1	17	16		D5	37	15	GEAR COMP., OIL PUMP .....	C5	21	3
BOLT, FLANGE, 6X8 .....	D2	34	10	CLIP, WIRE HARNESS .....	D11	43	20	GOVERNOR ASSY. ....	C5	21	13
	D3	35	10	CLUTCH COMP., OVERRUNNING .....	D8	40	6	GRID, SCREEN .....	D6	38	5
	D4	36	8	COIL ASSY., CHARGE .....	D7	39	3	GROMMET, AIR CLEANER .....	D1	33	5
	D7	39	14					GROMMET, CONTROL BOX .....	D11	43	18
BOLT, FLANGE, 6X90 .....	C6	22	31	COIL ASSY., IGNITION .....	D7	39	1	GROMMET, CORD .....	D7	39	13
BOLT, FLANGE, 8X16 .....	C1	17	17	COLLAR SET, CLUTCH STOP .....	D8	40	2				
BOLT, FLANGE, 8X20 .....	D2	34	11	COLLAR, FAN COVER .....	C14	30	3	[ H ]			
	D3	35	11		D1	33	9	HANGER, ENGINE .....	C1	17	1
	D4	36	10		D6	38	3				
BOLT, FLANGE, 8X30 .....	D4	36	11	COLLAR, FUEL PUMP DISTANCE .....	D14	46	5				
BOLT, FLANGE, 8X45 .....	C6	22	32	COLLAR, VALVE LIFTER .....	C9	25	12				

# PART NAME INDEX

Part name	Address	Page	Ref.	Part name	Address	Page	Ref.	Part name	Address	Page	Ref.
HARNES ASSY., ENGINE WIRE ...	D7	39	6	MUFFLER KIT .....	D2	34	1	[ R ]			
			7		D3	35	1				
HARNES ASSY., REGULATOR				[ N ]				RECTIFIER ASSY., REGULATOR ....	D14	46	7
RECTIFIER	D7	39	10					RECTIFIER COMP., REGULATOR ....	D7	39	5
HARNES ASSY., SUB WIRE .....	D14	46	8					RETAINER, IN. VALVE SPRING ....	C9	25	14
HEAD COMP., CYLINDER .....	C1	17	2	NOZZLE, MAIN .....	C15	31	12	RING SET, PISTON .....	C8	24	1
				NUT-WASHER, 8MM .....	D8	40	20	RING, SNAP .....	D8	40	1
HOLDER, BRUSH .....	D8	40	16	NUT, FENDER SETTING .....	C14	30	8	ROD ASSY., CONNECTING .....	C8	24	4
HOLDER, CABLE .....	D9	41	9	NUT, FLANGE, 10MM .....	C1	17	14	ROD COMP., PUSH .....	C9	25	3
				NUT, FLANGE, 6MM .....	D1	33	12	ROD, CHOKE CONTROL .....	D9	41	12
	D14	46	2		D9	41	19	ROD, GOVERNOR .....	D9	41	6
HOLDER, GOVERNOR WEIGHT .....	C5	21	15	NUT, FLANGE, 8MM .....	C1	17	13	ROTOR, OIL PUMP OUTER .....	C5	21	2
HOLDER, OIL FILTER .....	C5	21	9		D2	34	9	RUBBER, FUEL PUMP MOUNTING ....	D14	46	4
HOLDER, SCREEN GRID .....	D6	38	6		D3	35	9	RUBBER, RR. FENDER .....	D5	37	11
HOLDER, WIRE .....	D14	46	1	NUT, HEX. ....	D8	40	15				
HOUSING COMP., DRIVE SIDE ....	D8	40	7	NUT, HEX., 8MM .....	D8	40	14	[ S ]			
				NUT, SPECIAL .....	D6	38	9	SCREEN, FUEL STRAINER .....	C15	31	13
[ I ]				NUT, TAPPET ADJUSTING .....	C9	25	16	SCREW-WASHER, 4X8 .....	C3	19	10
INSULATOR, BRUSH HOLDER .....	D8	40	17	NUT, TOOL BOX SETTING .....	D1	33	10	SCREW-WASHER, 5X10 .....	C16	32	31
INSULATOR, CARBURETOR .....	C15	31	16	[ O ]				SCREW-WASHER, 5X8 .....	D12	44	23
				OIL SEAL, 10X16X5 .....	C3	19	14	SCREW-WASHER, 6X16 .....	D5	37	12
[ J ]				OIL SEAL, 38X58X9 .....	C3	19	13	SCREW SET .....	C15	31	5
JET SET, PILOT, .....	C16	32	28		C6	22	23	SCREW SET, DRAIN .....	C15	31	6
JET, MAIN, .....	C16	32	26	O-RING, 14.8X2.4 .....	C6	22	24	SCREW, FLOAT .....	C16	32	29
				O-RING, 37.9X2.4 .....	C3	19	16	SCREW, PAN, 3X8 .....	C3	19	19
JOINT, FUEL RETURN .....	D5	37	9	O-RING, 8.8X1.9 .....	C6	22	26	SCREW, PAN, 4X12 .....	C16	32	24
JOINT, ROD .....	D9	41	1	O-RING, OIL PUMP .....	C6	22	25	SCREW, PAN, 4X8 .....	D4	36	7
									D14	46	15
[ K ]				[ P ]				SCREW, PAN, 5X10.5 .....	D11	43	21
KEY, 6.3X6.3X43 .....	C7	23	8	PACKING, AIR CLEANER .....	C15	31	19	SCREW, PAN, 5X30 .....	D9	41	17
KEY, SPECIAL WOODRUFF, 25X18 .	C7	23	7	PACKING, AIR CLEANER CASE .....	D1	33	8	SCREW, PAN, 5X40 .....	D9	41	18
KNOB, AIR CLEANER COVER .....	D1	33	6	PACKING, CARBURETOR .....	C15	31	18	SCREW, PAN, 5X45 .....	D9	41	17
KNOB, CHOKE .....	D11	43	4	PACKING, HEAD COVER .....	C1	17	6	SCREW, PAN, 5X10 .....	C14	30	9
				PACKING, INTAKE MANIFOLD .....	C1	17	11	SCREW, SPECIAL, 4X10 .....	C14	30	10
[ L ]				PACKING, OIL FILLER CAP .....	C1	17	8	SCREW, SPECIAL, 6X15 .....	C14	30	10
LABEL, FUSE .....	D11	43	12	PACKING, OIL PASS .....	C3	19	15	SCREW, SPECIAL, 6X8 .....	D11	43	17
LABEL, WARNING .....	D13	45	1		C6	22	27	SCREW, TAPPET ADJUSTING .....	C9	25	15
LEVER ASSY., THROTTLE .....	D11	43	1	PANEL, CONTROL .....	D11	43	7	SCREW, TAPPING, 3X8 .....	D11	43	16
LEVER, PINION DRIVE .....	D8	40	4	PIN, GOVERNOR WEIGHT .....	C5	21	16	SCREW, TAPPING, 5X14 .....	D12	44	24
LIFTER ASSY., VALVE .....	C9	25	9	PIN, LOCK, 10MM .....	C3	19	21	SCREW, TAPPING, 5X20 .....	C14	30	11
				PIN, PISTON .....	C8	24	3	SCREW, TAPPING, 5X8 .....	D2	34	6
[ M ]				PIPE COMP., EX. ....	D4	36	4		D3	35	6
MANIFOLD, INTAKE .....	C1	17	10	PIPE COMP., OIL LEVEL .....	C5	21	12	SCREW, THROTTLE STOP .....	C15	31	8
MARK, ENGINE SWITCH .....	D11	43	13	PISTON .....	C8	24	2	SCREW, TRUSS, 6X16 .....	D6	38	8
MARK, FUEL WARNING .....	D15	47	1	PLATE .....	C16	32	30	SEAL, AIR CLEANER CASE .....	C15	31	20
MARK, HEAT CAUTION .....	D15	47	2	PLATE, CONTROL FAN SETTING .....	D6	38	2	SEAL, VALVE STEM .....	C9	25	1
MARK, HONDA .....	D13	45	4	PLATE, STOPPER .....	C3	19	6	SHAFT COMP., VALVE LIFTER .....	C9	25	10
MARK, OPERATOR CAUTION .....	D13	45	2	PLUG, OUTER CONNECTOR .....	D14	46	9	SHAFT, FR. P.T.O. ....	D6	38	4
MARK, THROTTLE SWITCH .....	D11	43	14	PLUG, SPARK .....	C1	17	18	SHAFT, GOVERNOR ARM .....	C3	19	7
METER ASSY., HOUR .....	D11	43	11	PROTECTOR, FAN COVER .....	C14	30	4	SHAFT, ROCKER ARM .....	C9	25	5
MOTOR ASSY., STARTER .....	D8	40	3	PROTECTOR, MUFFLER .....	D2	34	4	SHROUD, L. LOWER .....	C14	30	7
MUFFLER COMP. ....	D2	34	3		D3	35	4	SHROUD, R. LOWER .....	C14	30	6
	D3	35	3	PUMP ASSY., FUEL .....	D5	37	1	SHROUD, UPPER .....	C14	30	5
	D4	36	1		D14	46	3	SLIDER, GOVERNOR .....	C5	21	17
								SPRING, AIR CLEANER CASE COVER	D1	33	7
								SPRING, BRUSH .....	D8	40	9
								SPRING, CABLE RETURN .....	D9	41	11
								SPRING, CONTROL ADJUSTING .....	D9	41	10
								SPRING, GOVERNOR .....	D9	41	7



# PART NAME INDEX

F 3

Part name	Address	Page	Ref.	Part name	Address	Page	Ref.	Part name	Address	Page	Ref.
SPRING, RELIEF VALVE .....	C5	21	5								
SPRING, STARTER .....	D9	41	3								
SPRING, THROTTLE RETURN .....	D9	41	8								
SPRING, VALVE .....	C9	25	11								
SPRING, VALVE LIFTER .....	C9	25	13								
SPRING, WEIGHT RETURN .....	C9	25	6								
STAY COMP., AIR CLEANER ELEMENT	D1	33	3								
STAY, FUEL PUMP .....	D5	37	2								
STAY, FUEL TUBE GROMMET .....	C1	17	9								
STAY, MUFFLER .....	D4	36	5								
STRAINER COMP., FUEL .....	D5	37	8								
STRAINER COMP., OIL .....	C5	21	4								
STRAP, CABLE, 105MM .....	D7	39	12								
SWITCH ASSY., COMBINATION ....	D11	43	9								
SWITCH ASSY., MAGNET .....	D8	40	5								
SWITCH ASSY., OIL LEVEL .....	C3	19	8								
SWITCH, OIL PRESSURE .....	C3	19	9								
[ T ]											
TUBE COMP. A, FUEL .....	D5	37	3								
TUBE COMP. B, FUEL .....	D5	37	4								
			5								
TUBE, BREATHER .....	C15	31	1								
TUBE, DIAPHRAGM .....	D5	37	7								
TUBE, DRAIN .....	C15	31	14								
TUBE, PURGE .....	D5	37	6								
[ V ]											
VALVE ASSY., SOLENOID .....	C15	31	15								
VALVE COMP., FLOAT .....	C15	31	11								
VALVE, EX. ....	C9	25	8								
VALVE, IN. ....	C9	25	7								
VALVE, OIL OUTLET .....	C3	19	5								
[ W ]											
WASHER, 10.5X40X4 .....	D14	46	12								
WASHER, 6X16 .....	C5	21	18								
WASHER, CRANKSHAFT THRUST ....	C7	23	6								
WASHER, DRAIN PLUG, 20MM .....	C3	19	20								
WASHER, PLAIN .....	C3	19	11								
WEIGHT, GOVERNOR .....	C5	21	14								
WRENCH, BOX .....	D13	45	5								
[ Y ]											
YOKE COMP. ....	D8	40	12								





---

**1**

**FOREWORD INDEX**

---

**2**

**ENGINE GROUP**

---

**3**

**PART NUMBER INDEX**

---

**4**

**PART NAME INDEX**

---

**HONDA**  
The Power of Dreams

July 13, 2009



# PARTS CATALOGUE NEWS

Honda Motor Co., Ltd. Service Division

## PARTS CATALOGUE - CORRECTED

Printed in Japan

CODE NO.	13Z6NA01
PARTS CATALOGUE NEWS	GX630 GX660 GX690
NEWS NO.	001

Block No.	Ref. No.	Note	Part No.	Description	Reqd. QTY			Serial No.	Parts catalogue code
					GX 630	GX 660	GX 690		
E-28	2	T	87516-ZH7-010	MARK, OPERATOR CAUTION .....	1	1	1	-----	QKW1, VAY, VZE1, VZE8

NOTE A:PART NO. CHANGE D:NEWLY PROVIDED E:PART NO.DELETION K:REQUIRED NO. CORRECTION L:APPLICATION SERIAL NO. CORRECTION  
T:APPLICATION CORRECTION Z:REMARKS CHANGE



# PARTS CATALOGUE NEWS

Honda Motor Co., Ltd. Service Division

## PARTS CATALOGUE - CORRECTED

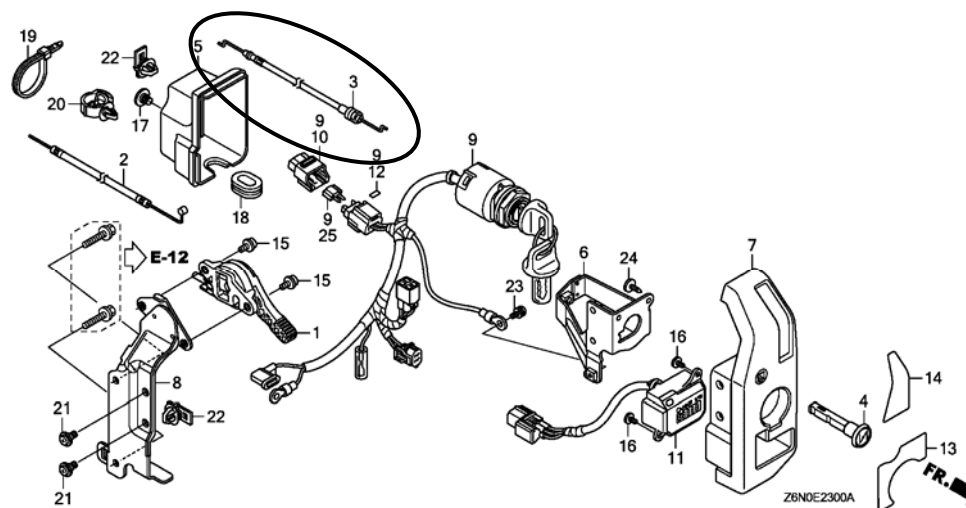
Printed in Japan

CODE NO.	13Z6NA01
PARTS CATALOGUE NEWS	GX630 GX660 GX690
NEWS NO.	002

Block No.	Ref. No.	Note	Part No.	Description	Reqd. QTY			Serial No.	Parts catalogue code
					GX 630	GX 660	GX 690		

E-23 CONTROL BOX

ILLUSTRATION CORRECTED



E-28	2	T	87516-ZH7-010	MARK, OPERATOR CAUTION (ENGLISH) (MADE IN JAPAN)	1	-	-	-----	-----	QKW1, VZE1, VZE8
		D	87516-ZK6-000	MARK, OPERATOR CAUTION (CHINESE) (MADE IN JAPAN)	-	1	1	-----	-----	VAY

NOTE A:PART NO. CHANGE D:NEWLY PROVIDED E:PART NO. DELETION K:REQUIRED NO. CORRECTION L:APPLICATION SERIAL NO. CORRECTION T:APPLICATION CORRECTION Z:REMARKS CHANGE



# PARTS CATALOGUE NEWS

Honda Motor Co., Ltd. Service Division

## PARTS CATALOGUE - CORRECTED

Printed in Japan

CODE NO.	13Z6NA01
PARTS CATALOGUE NEWS	GX630 GX660 GX690
NEWS NO.	003

Block No.	Ref. No.	Note	Part No.	Description	Reqd. QTY			Serial No.	Parts catalogue code
					GX 630	GX 660	GX 690		
E-12	2	T	19610-Z6L-000ZB	COVER COMP., FAN *NH1*.....BLACK	1	1	1	-----	QKW1, VAY, VZE1, VZE8

NOTE A:PART NO. CHANGE D:NEWLY PROVIDED E:PART NO.DELETION K:REQUIRED NO. CORRECTION L:APPLICATION SERIAL NO. CORRECTION  
T:APPLICATION CORRECTION Z:REMARKS CHANGE

September 28, 2009



# PARTS CATALOGUE NEWS

Honda Motor Co., Ltd. Service Division

## PARTS CATALOGUE - CORRECTED

Printed in Japan

CODE NO.	13Z6NA01
PARTS CATALOGUE NEWS	GX630 GX660 GX690
NEWS NO.	004

Block No.	Ref. No.	Note	Part No.	Description	Reqd. QTY			Serial No.	Parts catalogue code
					GX 630	GX 660	GX 690		
E-15	1	E	17210-Z6L-000	*PARTS NO. DELETION					
		D	17210-Z6L-010	ELEMENT COMP., AIR CLEANER ...	1	1	1		

NOTE A:PART NO. CHANGE D:NEWLY PROVIDED E:PART NO. DELETION K:REQUIRED NO. CORRECTION L:APPLICATION SERIAL NO. CORRECTION  
T:APPLICATION CORRECTION Z:REMARKS CHANGE

October 17, 2009



# PARTS CATALOGUE NEWS

Honda Motor Co., Ltd. Service Division

Printed in Japan

CODE NO.	13Z6NA01
PARTS CATALOGUE NEWS	GX630 GX660 GX690
NEWS NO.	005

## **GX630-QAFH,QKF,QKW2,QZK,VAY,VEPH,VXAH AND GX660/GX690-BAFH,TAFH,TDW1,TKW1,VXEH TYPES sales parts information**

NOTE: This Parts Catalogue News explains only the parts of the different model that are produced to conform to addition of the GX630-QAFH,QKF,QKW2,QZK,VAY,VEPH,VXAH and GX660/GX690-BAFH,TAFH,TDW1,TKW1,VXEH types.

As for the parts not listed on this Parts Catalogue News, use the parts of the GX630-QKW1,VZE1 and GX660/GX690-VAY types.

**•Models, parts catalogue codes and applicable serial numbers**

Model	Type		Parts catalogue type	Applicable engine serial No.	Applicable carburetor identification No.
GX630	QKW1	Base type	QKW1	GCBBK-1000001~	BK07A A
	QAFH	Additional type	QAFH		
	QKF		QKF		
	QKW2		QKW2		
	QZK		QZK		
	VZE1	Base type	VZE1		
	VAY	Additional type	VAY		
	VEPH		VEPH		
	VXAH		VXAH		
GX660	VAY	Base type	VAY	GCBCK-1000001~	BK06A A
	BAFH	Additional type	BAFH		
	TAFH		TAFH		
	TDW1		TDW1		
	TKW1		TKW1		
	VXEH		VXEH		
GX690	VAY	Base type	VAY	GCBDK-1000001~	BK05A A
	BAFH	Additional type	BAFH		
	TAFH		TAFH		
	TDW1		TDW1		
	TKW1		TKW1		
	VXEH		VXEH		
					BK05D A



BOOKNo. : 13Z6NA01

•Features of each type		Base type	Additional type					Base type	Additional type		
		GX630									
Specifications		Model	QKW1	QAFH	QKF	QKW2	QZK	VZE1	VAY	VEPH	VXAH
		Type									
Crankshaft	25.4 mm Ø Straight (L=138)		●	●	●	●	●				
	28.575 mm Ø Straight (L=162)										
	36.5 mm Ø Straight (L=175.2)										
	5/16" Tapered							●	●	●	●
	25 mm Ø Straight (L=129)										
	M10 Tapered										
Muffler	High-R		(●)	(●)	(●)	(●)	(●)	(●)	(●)	(●)	(●)
	High-L		(●)	(●)	(●)	(●)	(●)	(●)	(●)	(●)	(●)
	Side mount										(●)
Spark arrester			(●)	(●)	(●)	(●)	(●)	(●)	(●)	(●)	(●)
Deflector kit											(●)
Control box			●	●			●	●	●	●	●

PARTS CATALOGUE NEWS

BOOKNo. : 13Z6NA01

Specifications		Base type	Additional type					Base type	Additional type					
		Model	GX660						GX690					
		Type	VAY	BAFH	TAFH	TDW1	TKW1	VXEH	VAY	BAFH	TAFH	TDW1	TKW1	VXEH
Crankshaft	25.4 mm Ø Straight (L=138)													
	28.575 mm Ø Straight (L=162)			●	●	●				●	●	●		
	36.5 mm Ø Straight (L=175.2)		●						●					
	5/16" Tapered	●					●	●					●	
	25 mm Ø Straight (L=129)													
	M10 Tapered													
Muffler	High-R	(●)	(●)	(●)	(●)	(●)	(●)	(●)	(●)	(●)	(●)	(●)	(●)	
	High-L	(●)	(●)	(●)	(●)	(●)	(●)	(●)	(●)	(●)	(●)	(●)	(●)	
	Side mount													
Spark arrester		(●)	(●)	(●)	(●)	(●)	(●)	(●)	(●)	(●)	(●)	(●)	(●)	
Deflector kit														
Control box		●	●	●		●	●	●	●	●		●	●	

## PARTS CATALOGUE NEWS

BOOKNo. : 13Z6NA01

Block No.	Ref. No.	Part No.	Description	Reqd. QTY			Base Part No.	Parts catalogue code
				GX 630	GX 660	GX 690		
E-3	1	11100-Z6L-000	CRANKCASE ASSY. ....	1	-	-	11100-Z6L-800	VAY
		11100-Z6L-800	.....	1	1	1	11100-Z6L-000	QZK, VXEH
	4		BOLT, SEALING .....	0	-	-	15424-Z6L-000	VAY
		15424-Z6L-000	.....	1	1	1		QZK, TDW1, VXEH
	8		SWITCH ASSY., OIL LEVEL .....	0	-	-	35480-Z6L-003	VAY
		35480-Z6L-003	.....	1	1	1		QZK, VXEH
	9		SWITCH, OIL PRESSURE .....	0	0	0	37240-ZG5-004	QZK, TDW1, VXEH
		37240-ZG5-004	.....	1	-	-		VAY
	10		SCREW-WASHER, 4X8 .....	0	0	0	90002-ZG5-004	QZK, TDW1, VXEH
		90002-ZG5-004	.....	1	-	-		VAY
	16		O-RING, 37.9X2.4 .....	0	-	-	91309-Z6L-000	VAY
		91309-Z6L-000	.....	1	1	1		QZK, VXEH
	23		BOLT, FLANGE, 6X16 .....	0	-	-	95701-06016-00	VAY
		95701-06016-00	.....	2	2	2		QZK, VXEH
E-6	3	15140-Z6L-010	GEAR COMP., OIL PUMP .....	1	1	1	15140-Z6L-000	
	7		BASE COMP., OIL FILTER .....	0	-	-	15410-Z6L-000	VXAH
	8	15410-Z6L-800	BASE COMP., OIL FILTER .....	1	-	-		VXAH
	10	15424-Z6L-000	BOLT, SEALING .....	2	-	-	15424-Z6L-000	VXAH
	30	95701-06035-00	BOLT, FLANGE, 6X35 .....	2	-	-		VXAH
	31		BOLT, FLANGE, 6X90 .....	0	-	-	95701-06090-00	VXAH

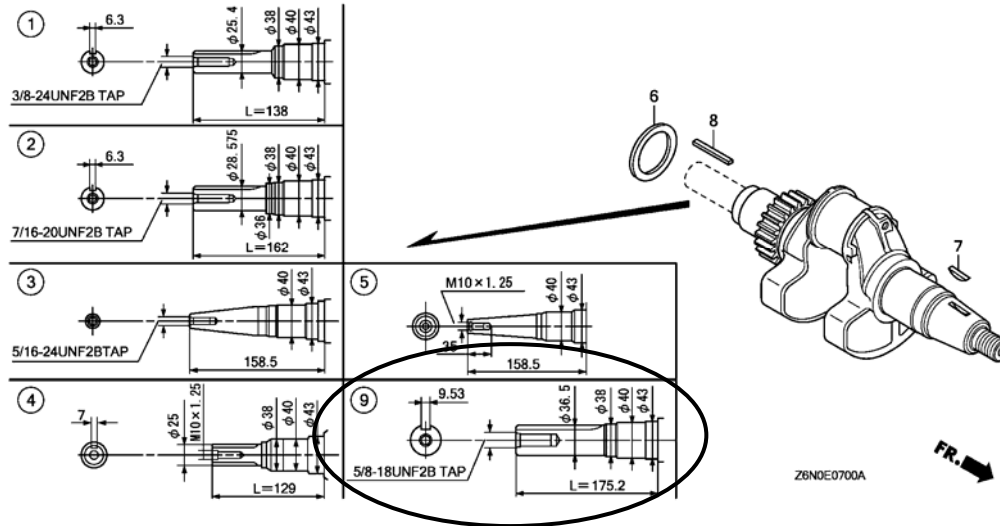
PARTS CATALOGUE NEWS

BOOKNo. : 13Z6NA01

Block No.	Ref. No.	Part No.	Description	Reqd. QTY			Base Part No.	Parts catalogue code
				GX 630	GX 660	GX 690		

E-7 CRANKSHAFT

Ref. No.	(Relative ref. Number) Description	FRT
1	(2, 3, 4, 5, 9) 1101F0 CRANKSHAFT .....	3. 2

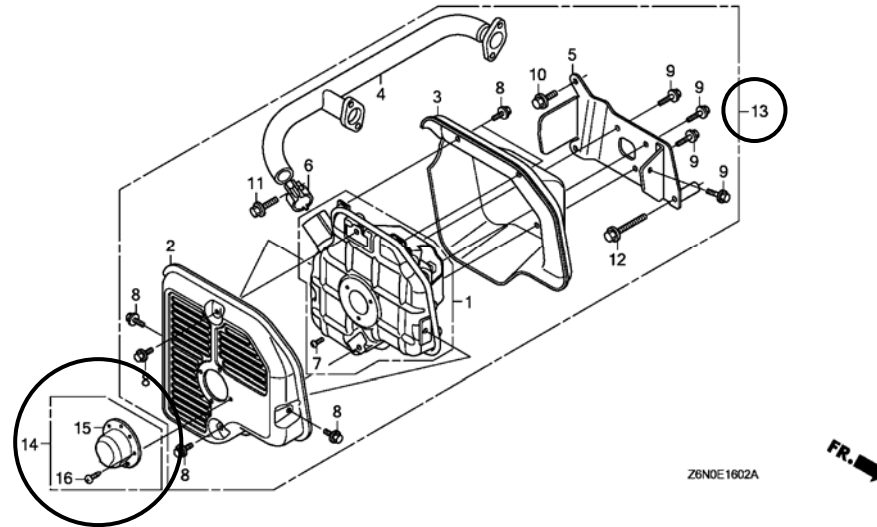


E-7	2	13310-Z6L-600	CRANKSHAFT COMP. (L=162) .....	-	1	1		TAFH, TDW1, TKW1
	3		CRANKSHAFT COMP. ....	-	0	0	13310-Z6L-620	BAFH, TAFH, TDW1, TKW1
	8		KEY, 6. 3X6. 3X43 .....	0	-	-	90745-ZE2-600	QAFH, QKF, QKW2, QZK
	9	13310-Z6L-610	CRANKSHAFT COMP. (L=175.2) ...	-	1	1		BAFH
E-12	2		COVER COMP., FAN *NH1*..... BLACK	0	0	0	19610-Z6L-000ZB	BAFH, QAFH, QZK, TAFH, VEPH, VXA, VXEH
E-14	7	16100-Z6L-851	CARBURETOR ASSY. (BK05D A) ...	-	-	1	16100-Z6L-003	VXEH
		16100-Z8N-851	CARBURETOR ASSY. (BK06E A) ...	-	1	-	16100-Z8N-003	VXEH

BOOKNo. : 13Z6NA01

Block No.	Ref. No.	Part No.	Description	Reqd. QTY			Base Part No.	Parts catalogue code
				GX 630	GX 660	GX 690		

E-16-2 MUFFLER (SIDE MOUNT)



E-16-2	1	18310-Z6L-810	MUFFLER COMP. ....	(1)	-	-	VXAH
	2	18321-Z6L-801	PROTECTOR, MUFFLER (OUTSIDE) .	(1)	-	-	VXAH
	3	18325-Z6L-800	PROTECTOR, MUFFLER (INSIDE) ..	(1)	-	-	VXAH
	4	18330-Z6L-800	PIPE COMP., EX. ....	(1)	-	-	VXAH
	5	18338-Z6L-800	STAY, MUFFLER ....	(1)	-	-	VXAH
	6	18371-Z6L-000	BAND, MUFFLER ....	(1)	-	-	VXAH
	7	93500-04008-4J	SCREW, PAN, 4X8 ....	(3)	-	-	VXAH
	8	95701-06008-00	BOLT, FLANGE, 6X8 ....	(6)	-	-	VXAH
	9	95701-06012-00	BOLT, FLANGE, 6X12 ....	(4)	-	-	VXAH
	10	95701-08020-00	BOLT, FLANGE, 8X20 ....	(2)	-	-	VXAH
	11	95701-08030-00	BOLT, FLANGE, 8X30 ....	(1)	-	-	VXAH
	12	95701-08060-00	BOLT, FLANGE, 8X60 ....	(1)	-	-	VXAH

## PARTS CATALOGUE NEWS

BOOKNo. : 13Z6NA01

Block No.	Ref. No.	Part No.	Description	Reqd. QTY			Base Part No.	Parts catalogue code
				GX 630	GX 660	GX 690		
	13	06183-Z6L-811	MUFFLER KIT (SIDE) .....	(1)	-	-	VXAH	
	14	06184-Z6L-810	DEFLECTOR KIT. (SIDE) .....	(1)	-	-	VXAH	
	15	18431-Z6L-000	DEFLECTOR, MUFFLER .....	(1)	-	-	VXAH	
	16	90055-ZE1-000	SCREW, TAPPING, 4X6 .....	(3)	-	-	VXAH	
E-20	3		COIL ASSY., CHARGE (17A) .....	-	0	0	31630-Z6L-003	TKW1, VXEH
		31630-Z6L-003	.....	1	-	-		QAFH, QKF, QKW2
	4		COIL ASSY., CHARGE (2.7A) .....	0	-	-	31630-Z6L-801	QAFH, QKF, QKW2
		31630-Z6L-801	.....	-	1	1		TKW1, VXEH
	5		RECTIFIER COMP., REGULATOR (5A) .....	0	-	-	31750-735-013	QAFH, QKF, QKW2
		31750-735-013	.....	-	1	1		TKW1, VXEH
	6	32110-Z6L-000	HARNESS ASSY., ENGINE WIRE ...	1	1	1		QKF, QKW2, TDW1
	7		HARNESS ASSY., ENGINE WIRE ...	0	-	-	32110-Z6L-810	QKF, QKW2
			.....	-	0	0	32110-Z6L-840	TDW1
		32110-Z6L-810	.....	-	1	1	32110-Z6L-840	VXEH
		32110-Z6L-840	.....	1	-	-	32110-Z6L-810	QAFH
		32110-Z6L-850	.....	1	-	-	32110-Z6L-810	VAY
		32110-Z6L-850	.....	-	1	1	32110-Z6L-840	TKW1
	9		BRACKET, REGULATOR RECTIFIER .	0	-	-	32115-Z6L-000	QAFH, QKF, QKW2
		32115-Z6L-000	.....	-	1	1		TKW1, VXEH
	10		HARNESS ASSY., REGULATOR RECTIFIER .....	0	-	-	32183-Z6L-000	QAFH, QKF, QKW2
		32183-Z6L-000	.....	-	1	1		TKW1, VXEH
	12	90672-SB2-003	STRAP, CABLE, 105MM(BLACK) ...	1	1	1		QKF, QKW2, TDW1
	14		BOLT, FLANGE, 6X8 .....	0	-	-	95701-06008-00	QAFH, QKF, QKW2

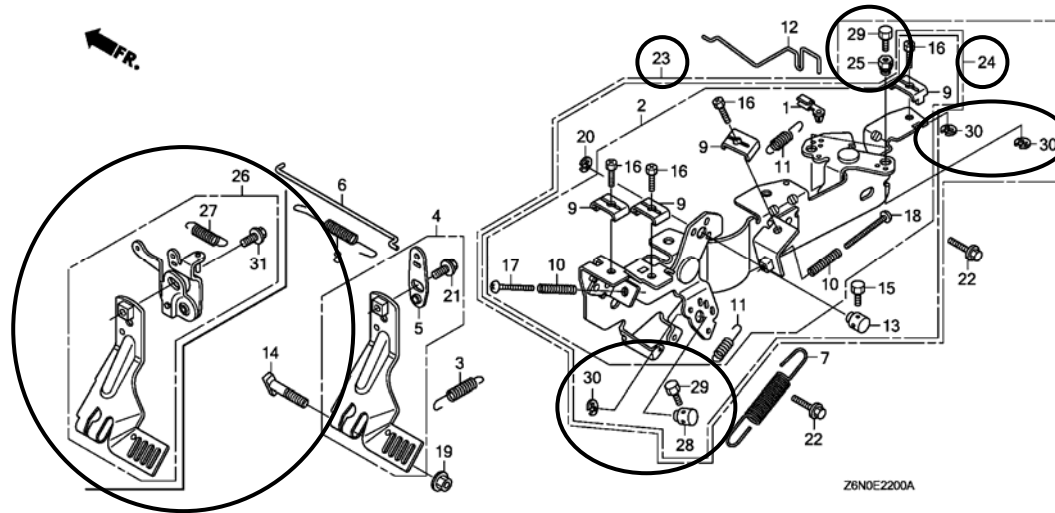
PARTS CATALOGUE NEWS

BOOKNo. : 13Z6NA01

Block No.	Ref. No.	Part No.	Description	Reqd. QTY			Base Part No.	Parts catalogue code
				GX 630	GX 660	GX 690		
		95701-06008-00	.....	-	1	1	TKW1, VXEH	
	16		BOLT, FLANGE, 6X14 .....	0	-	-	95701-06014-00 QAFH, QKF, QKW2	
		95701-06014-00	.....	-	1	1	TKW1, VXEH	
	17		BOLT, FLANGE, 6X30 .....	0	-	-	95701-06030-00 QAFH, QKF, QKW2	
		95701-06030-00	.....	-	1	1	TKW1, VXEH	
	18	95701-06032-00	BOLT, FLANGE, 6X32 .....	8	7	7	95701-06032-00 QKF, QKW2, TKW1, VXEH	

E-22 CONTROL

Ref. No.	(Relative ref. Number)	Description	FRT
2	(23, 24)		
1161A5		CONTROL, THROTTLE/GOVERNOR ...	0.4
4	(26)		
1161A0		ARM, GOVERNOR .....	0.3



E-22	2	CONTROL ASSY. ....	0	-	-	16500-Z6L-000	BAFH, TAFH, TDW1, TKW1
			-	0	0		
		16500-Z6L-800	-	1	1	16500-Z6L-000	VXEH
	4	ARM COMP., GOVERNOR .....	-	0	0	16550-Z6L-000	VXEH
	5	ARM, SUB .....	-	0	0	16553-Z6L-000	VXEH
	9	16576-891-000	-	2	2	16576-891-000	VXEH

PARTS CATALOGUE NEWS

BOOKNo. : 13Z6NA01

Block No.	Ref. No.	Part No.	Description	Reqd. QTY			Base Part No.	Parts catalogue code
				GX 630	GX 660	GX 690		
	10	16584-883-300	SPRING, CONTROL ADJUSTING .....	-	1	1	16584-883-300	VXEH
	13		HOLDER, CABLE .....	-	0	0	16617-Z6L-000	VXEH
	15		BOLT, RECESSED, 4X6 .....	-	0	0	92301-04006-0H	VXEH
	16	92301-05016-0A	BOLT, RECESSED, 5X16 .....	-	2	2	92301-05016-0A	VXEH
	17	93500-05045-0A	SCREW, PAN, 5X45 .....	-	1	1	93500-05030-0A	VXEH
	18		SCREW, PAN, 5X40 .....	-	0	0	93500-05040-0A	VXEH
	20		E-RING, 5MM .....	-	0	0	94540-05018	VXEH
	21		BOLT, FLANGE, 6X10 .....	-	0	0	95701-06010-00	VXEH
	23	16500-Z6L-810	CONTROL ASSY. ....	1	1	1		QKF, QKW2, TDW1
	24	16500-Z6L-830	CONTROL ASSY. ....	1	1	1		BAFH, QAFH, QZK, TAFH, TKW1, VAY, VEPH, VXAH
	25	16594-883-010	HOLDER, WIRE .....	2	2	2		QKF, QKW2, TDW1
	26	16550-Z6L-800	ARM COMP., GOVERNOR .....	-	1	1		VXEH
	27	16592-Z6L-800	SPRING, RETURN .....	-	1	1		VXEH
	28	16617-Z6L-000	HOLDER, CABLE .....	1	-	-		
				-	1	1		BAFH, TAFH, TDW1, TKW1
	29	92301-04006-0H	BOLT, RECESSED, 4X6 .....	1	1	1		BAFH, QAFH, QZK, TAFH, TKW1, VAY, VEPH, VXAH
				3	3	3		QKF, QKW2, TDW1
	30	94540-05018	E-RING, 5MM .....	1	1	1		BAFH, QAFH, QZK, TAFH, TKW1, VAY, VEPH, VXAH
				3	3	3		QKF, QKW2, TDW1
	31	96001-06010-00	BOLT, FLANGE, 6X10 .....	-	1	1		VXEH



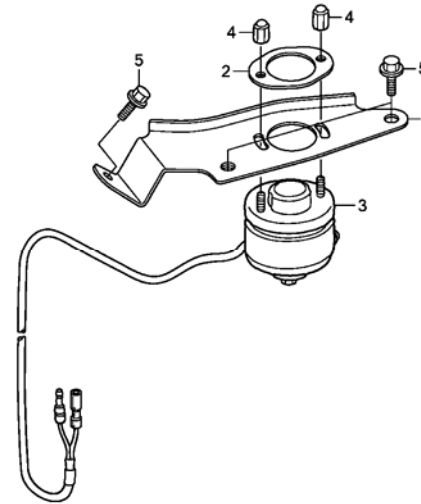
PARTS CATALOGUE NEWS

BOOKNo. : 13Z6NA01

Block No.	Ref. No.	Part No.	Description	Reqd. QTY			Base Part No.	Parts catalogue code
				GX 630	GX 660	GX 690		

E-22-20 AUTO THROTTLE

Ref. No.	(Relative ref. Number)	Description	FRT
3	6151A6	SOLENOID, ROTARY .....	0.3



Z6NOE2220

E-22-20	1	36335-Z6L-000	STAY, SOLENOID .....	-	1	1		VXEH
	2	36337-Z6L-000	PLATE, SOLENOID .....	-	1	1		VXEH
	3	36350-Z6L-003	SOLENOID ASSY., ROTARY .....	-	1	1		VXEH
	4	90202-ZJ1-840	NUT, SPECIAL CAP .....	-	2	2		VXEH
	5	95701-06014-00	BOLT, FLANGE, 6X14 .....	-	3	3		VXEH
E-23	1		LEVER ASSY., THROTTLE .....	0	0	0	17850-Z6L-003	QKF, QKW2, TDW1, VXEH
	2		CABLE COMP., THROTTLE .....	0	0	0	17910-Z6L-000	QKF, QKW2, TDW1, VXEH
	3		CABLE COMP., CHOKE .....	0	0	0	17950-Z6L-000	QKF, QKW2, TDW1
	4		KNOB, CHOKE .....	0	0	0	17951-ZV1-000	QKF, QKW2, TDW1
	5		COVER, CONTROL .....	0	0	0	31612-Z6L-000	QKF, QKW2, TDW1
	6		BRACKET, SWITCH BOX .....	0	0	0	31614-Z6L-000	QKF, QKW2, TDW1
	7		PANEL, CONTROL .....	0	0	0	32346-Z6L-000	QKF, QKW2, TDW1

## PARTS CATALOGUE NEWS

BOOKNo. : 13Z6NA01

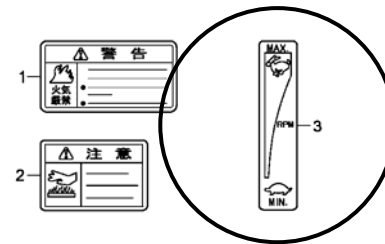
Block No.	Ref. No.	Part No.	Description	Reqd. QTY			Base Part No.	Parts catalogue code
				GX 630	GX 660	GX 690		
		32346-Z6L-800	.....	-	1	1	32346-Z6L-000	VXEH
	8		BRACKET, CONTROL BOX .....	0	0	0	32347-Z6L-000	QKF, QKW2, TDW1
	9		SWITCH ASSY., COMBINATION ....	0	0	0	35100-Z6L-003	QKF, QKW2, TDW1
	10		COVER ASSY., FUSE .....	0	0	0	38216-Z2E-003	QKF, QKW2, TDW1
	11		METER ASSY., HOUR .....	0	0	0	39700-Z6L-003	QKF, QKW2, TDW1
	12		LABEL, FUSE (30A) .....	0	0	0	87117-Z2E-800	QKF, QKW2, TDW1
	13		MARK, ENGINE SWITCH .....	0	0	0	87501-Z6L-800	QKF, QKW2, TDW1
		87501-Z6L-000	.....	1	1	1	87501-Z6L-800	QZK, VXEH
		87501-Z6L-800	.....	1	-	-	87501-Z6L-000	VAY
	14		MARK, THROTTLE SWITCH .....	0	0	0	87502-Z6L-000	QKF, QKW2, TDW1
		87502-Z6L-800	.....	-	1	1	87502-Z6L-000	VXEH
	15		BOLT, SOCKET, 5X9 .....	0	0	0	90011-Z0H-811	QKF, QKW2, TDW1, VXEH
	16		SCREW, TAPPING, 3X8 (PO) .....	0	0	0	90101-SP1-003	QKF, QKW2, TDW1
	17		SCREW, SPECIAL, 6X8 .....	0	0	0	90380-MB2-000	QKF, QKW2, TDW1
	18		GROMMET, CONTROL BOX .....	0	0	0	90601-Z6L-000	QKF, QKW2, TDW1
	19		BAND, WIRE, 95MM .....	0	0	0	90650-KV6-003	QKF, QKW2, TDW1
	20		CLIP, WIRE HARNESS .....	0	0	0	90681-763-A01	QKF, QKW2, TDW1
	21		SCREW, PAN, 5X10.5 .....	0	0	0	91508-GN2-000	QKF, QKW2, TDW1
	22		CLIP, COUPLER (BLACK) .....	0	0	0	91565-SEL-003	QKF, QKW2, TDW1
	23		SCREW-WASHER, 5X8 .....	0	0	0	93893-05008-07	QKF, QKW2, TDW1
	24		SCREW, TAPPING, 5X14 (PO) .....	0	0	0	93913-25310	QKF, QKW2, TDW1
	25		FUSE, MINI (30A) .....	0	0	0	98200-43000	QKF, QKW2, TDW1
E-28	2	87516-ZK6-000	MARK, OPERATOR CAUTION (CHINESE) (MADE IN JAPAN)	1	-	-	87516-ZH7-010	QAFH, VAY, VEPH, VXAH
		87516-Z6L-800	MARK, OPERATOR CAUTION .....	1	-	-	87516-ZH7-010	QKF, QKW2, QZK

PARTS CATALOGUE NEWS

BOOKNo. : 13Z6NA01

Block No.	Ref. No.	Part No.	Description	Reqd. QTY			Base Part No.	Parts catalogue code
				GX 630	GX 660	GX 690		
		87516-Z6L-800	.....	-	1	1	87516-ZK6-000	TDW1, TKW1
	5		WRENCH, BOX (P16X17) .....	0	-	-	99004-16170	QAFH, QKF, QKW2, QZK
		99004-16170	.....	1	1	1		TKW1, VEPH
E-40	7		RECTIFIER ASSY., REGULATOR (20A)	-	0	0	31750-Z2E-803	TKW1, VXEH
		31750-Z2E-803	.....	1	-	-		QAFH, QKF, QKW2
	8		HARNESS ASSY., SUB WIRE .....	-	0	0	32105-Z6L-000	TKW1, VXEH
		32105-Z6L-000	.....	1	-	-		QAFH, QKF, QKW2
	9		PLUG, OUTER CONNECTOR .....	-	0	0	32824-ZV5-003	TKW1, VXEH
		32824-ZV5-003	.....	1	-	-		QAFH, QKF, QKW2

E-40-1 OTHER PARTS (LABEL)



Z6NOE4001A

E-40-1	3	87532-ZH7-800	MARK, THROTTLE INDICATION ....	-	-	1	TDW1	
--------	---	---------------	--------------------------------	---	---	---	------	--



# PARTS CATALOGUE NEWS

Honda Motor Co., Ltd. Service Division

## PARTS CATALOGUE - CORRECTED

Printed in Japan

CODE NO.	13Z6NA01
PARTS CATALOGUE NEWS	GX630 GX660 GX690
NEWS NO.	006

Block No.	Ref. No.	Note	Part No.	Description	Reqd. QTY			Serial No.	Parts catalogue code
					GX 630	GX 660	GX 690		
E-20	7	L	32110-Z6L-810	HARNESS ASSY., ENGINE WIRE ...	1	1	1	-----	QZK, TXF3, VEPH, VXAH, VXEH, VZE1
					1	-	-	-----	1000004 QKW1
	T	32110-Z6L-850	.....	1	-	-	-----	VAY	
				1	-	-	1000005	-----	QKW1
				-	1	1	-----	TKW1	
9	L	32115-Z6L-000	BRACKET, REGULATOR RECTIFIER .	1	1	1	-----	QKW1, QZK, TKW1, TXF3, VEPH, VXAH, VXEH, VZE1	
				1	-	-	-----	VAY	
				1	-	-	-----	1000001 SAE1	
				1	-	-	-----	1000003 VZE8	
				1	1	1	-----	QKW1, QZK, TKW1, TXF3, VEPH, VXAH, VXEH, VZE1	
14	L	95701-06008-00	BOLT, FLANGE, 6X8 .....	1	1	1	-----	QKW1, QZK, TKW1, TXF3, VEPH, VXAH, VXEH, VZE1	
				1	-	-	-----	VAY	
				1	-	-	-----	1000001 SAE1	
				1	-	-	-----	1000003 VZE8	
				1	1	1	-----	QKW1, QZK, TKW1, TXF3, VEPH, VXAH, VXEH, VZE1	
16	L	95701-06014-00	BOLT, FLANGE, 6X14 .....	1	1	1	-----	QKW1, QZK, TKW1, TXF3, VEPH, VXAH, VXEH, VZE1	
				1	-	-	-----	VAY	
				1	-	-	-----	1000001 SAE1	

NOTE A:PART NO. CHANGE D:NEWLY PROVIDED E:PART NO.DELETION K:REQUIRED NO. CORRECTION L:APPLICATION SERIAL NO. CORRECTION  
T:APPLICATION CORRECTION Z:REMARKS CHANGE

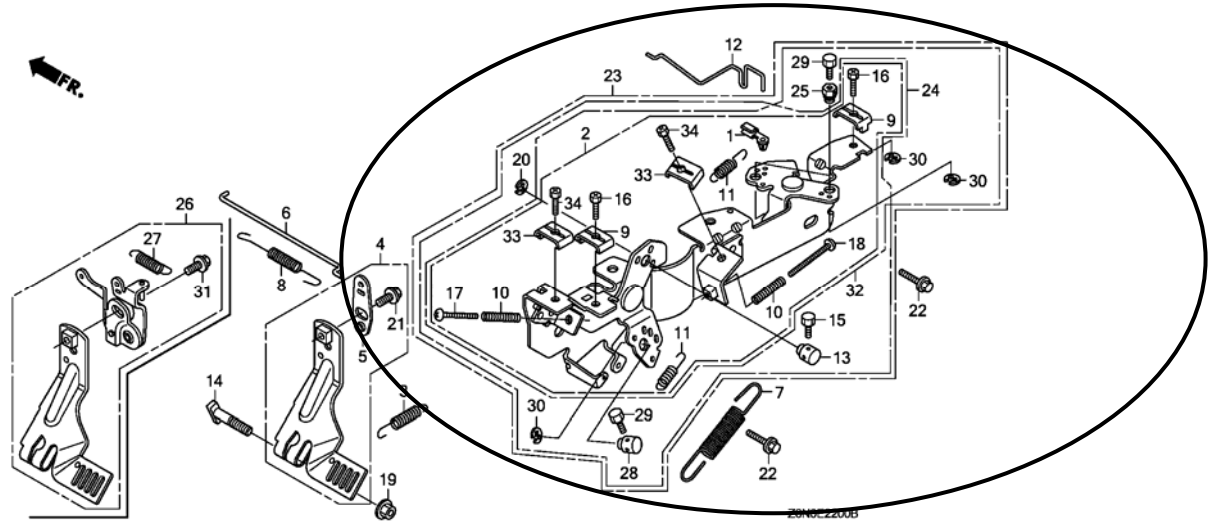
PARTS CATALOGUE NEWS

BOOKNo. : 13Z6NA01

Block No.	Ref. No.	Note	Part No.	Description	Reqd. QTY			Serial No.	Parts catalogue code
					GX 630	GX 660	GX 690		
					1	-	-	----- 1000003	VZE8
	17	L	95701-06030-00	BOLT, FLANGE, 6X30 .....	1	1	1	-----	QKW1, QZK, TKW1, TXF3, VEPH, VXAH, VXEH, VZE1
					1	-	-	-----	VAY
					1	-	-	----- 1000001	SAE1
					1	-	-	----- 1000003	VZE8
	18	T	95701-06032-00	BOLT, FLANGE, 6X32 .....	7	7	7	-----	QKW1, QZK, SAE1, TKW1, TXF3, VEPH, VXAH, VXEH, VZE1, VZE8
					7	8	8	-----	VAY
					8	8	8	-----	BAFH, QAFH, QKF, QKW2, QWD, QWF, TAFH, TAF5, TDW1

E-22 CONTROL

Ref. No.	(Relative ref. Number)	Description	FRT
2	(23, 24, 32)		
1161A5	CONTROL, THROTTLE/GOVERNOR ...	0.4	



E-22	2	L	16500-Z6L-000	CONTROL ASSY. ....	1	-	-	----- 1000001	QWD, QWF, SAE1
					1	-	-	----- 1000004	QKW1, VZE1
					-	1	1	-----	TAF5, TXF3, VAY
		L	16500-Z6L-800	.....	1	-	-	----- 1000003	VZE8

NOTE A:PART NO. CHANGE D:NEWLY PROVIDED E:PART NO.DELETION K:REQUIRED NO. CORRECTION L:APPLICATION SERIAL NO. CORRECTION  
T:APPLICATION CORRECTION Z:REMARKS CHANGE

PARTS CATALOGUE NEWS

BOOKNo. : 13Z6NA01

Block No.	Ref. No.	Note	Part No.	Description	Reqd. QTY			Serial No.	Parts catalogue code	
					GX 630	GX 660	GX 690			
					-	1	1	-----	VXEH	
	9	K	16576-891-000	HOLDER, CABLE .....	2	2	2			
	13	T	16617-Z6L-000	HOLDER, CABLE .....	1	1	1	-----	BAFH, QAFH, QKF, QKW1, QKW2, QZK, TAFH, TDW1, TKW1, VAY, VEPH VXAH, VZE1	
					1	-	-	1000002	-----	QWD, QWF, SAE1
	15	T	92301-04006-0H	BOLT, RECESSED, 4X6 .....	1	1	1	-----	BAFH, QAFH, QKF, QKW1, QKW2, QZK, TAFH, TDW1, TKW1, VAY, VEPH VXAH, VZE1	
					1	-	-	1000002	-----	QWD, QWF, SAE1
	16	K	92301-05016-0A	BOLT, RECESSED, 5X16 .....	2	2	2			
	20	T	94540-05018	E-RING, 5MM .....	1	1	1	-----	BAFH, QAFH, QKF, QKW1, QKW2, QZK, TAFH, TDW1, TKW1, VAY, VEPH VXAH, VZE1	
					1	-	-	1000002	-----	QWD, QWF, SAE1
	23	T	16500-Z6L-810	CONTROL ASSY. ....	1	1	1	-----	QKF, QKW2, TDW1	
					1	-	-	1000002	-----	QWD, QWF, SAE1
	24	T	16500-Z6L-830	CONTROL ASSY. ....	1	1	1	-----	BAFH, QAFH, QZK, TAFH, TKW1, VEPH, VXAH	
					1	-	-	-----	VAY	
					1	-	-	1000005	-----	QKW1, VZE1
	25	T	16594-883-010	HOLDER, WIRE .....	2	2	2	-----	QKF, QKW2, TDW1	
					2	-	-	1000002	-----	QWD, QWF, SAE1
					2	-	-	1000004	-----	VZE8
	32	D	16500-Z6L-820	CONTROL ASSY. ....	1	-	-	1000004	-----	VZE8
	33	D	16576-891-000	HOLDER, CABLE .....	2	2	2	-----	BAFH, QAFH, QKF, QKW2, QWD, QWF, QZK, SAE1, TAFH, TAF5, TDW1 TKW1, TXF3, VAY, VEPH, VXAH	
					2	-	-	-----	1000003	VZE8
					2	-	-	1000005	-----	QKW1, VZE1
	34	D	92301-05016-0A	BOLT, RECESSED, 5X16 .....	2	2	2	-----	BAFH, QAFH, QKF, QKW2, QWD, QWF, QZK, SAE1, TAFH, TAF5, TDW1 TKW1, TXF3, VAY, VEPH, VXAH	

NOTE A:PART NO. CHANGE D:NEWLY PROVIDED E:PART NO.DELETION K:REQUIRED NO. CORRECTION L:APPLICATION SERIAL NO. CORRECTION  
T:APPLICATION CORRECTION Z:REMARKS CHANGE

## PARTS CATALOGUE NEWS

BOOKNo. : 13Z6NA01

Block No.	Ref. No.	Note	Part No.	Description	Reqd. QTY			Serial No.	Parts catalogue code
					GX 630	GX 660	GX 690		
					2	-	-	----- 1000003	VZE8
					2	-	-	1000005 -----	QKW1, VZE1
E-28	2	L	87516-ZH7-010	MARK, OPERATOR CAUTION (ENGLISH) (MADE IN JAPAN)	1	-	-	----- -----	VZE1, VZE8
					1	-	-	----- 1000004	QKW1
		T	87516-Z6L-800	MARK, OPERATOR CAUTION .....	1	1	1	----- -----	QKF, QKW2, QZK, TDW1, TKW1
					1	-	-	1000005 -----	QKW1
E-40	1	L	16594-883-010	HOLDER, WIRE .....	1	-	-	----- 1000001	QWD, QWF, SAE1
					1	-	-	----- 1000003	VZE8
					-	1	1	----- -----	TAF5, TXF3
	2	L	16617-Z6L-000	HOLDER, CABLE .....	1	-	-	----- 1000001	QWD, QWF, SAE1
					-	1	1	----- -----	TAF5, TXF3
	13	L	92301-04006-0H	BOLT, RECESSED, 4X6 .....	1	-	-	----- 1000001	QWD, QWF, SAE1
					1	-	-	----- 1000003	VZE8
					-	1	1	----- -----	TAF5, TXF3
	14	L	92301-04006-0H	BOLT, RECESSED, 4X6 .....	1	-	-	----- 1000001	QWD, QWF, SAE1
					-	1	1	----- -----	TAF5, TXF3
	16	L	94540-05018	E-RING, 5MM .....	1	-	-	----- 1000001	QWD, QWF, SAE1
					1	-	-	----- 1000003	VZE8
					-	1	1	----- -----	TAF5, TXF3
	17	L	94540-05018	E-RING, 5MM .....	1	-	-	----- 1000001	QWD, QWF, SAE1
					-	1	1	----- -----	TAF5, TXF3

NOTE A:PART NO. CHANGE D:NEWLY PROVIDED E:PART NO.DELETION K:REQUIRED NO. CORRECTION L:APPLICATION SERIAL NO. CORRECTION  
T:APPLICATION CORRECTION Z:REMARKS CHANGE



# PARTS CATALOGUE NEWS

Honda Motor Co., Ltd. Service Division

Printed in Japan

CODE NO.	13Z6NA01
PARTS CATALOGUE NEWS	GX630 GX660 GX690
NEWS NO.	007

## GX630/GX690-VYE3 TYPES sales parts information

NOTE: This Parts Catalogue News explains only the parts of the different model that are produced to conform to addition of the GX630/GX690-VYE3 types.

As for the parts not listed on this Parts Catalogue News, use the parts of the GX630/GX690-VAY types.

### •Models, parts catalogue codes and applicable serial numbers

Model	Type		Parts catalogue type	Applicable engine serial No.	Applicable carburetor identification No.
GX630	VAY	Base type	VAY	GCBBK-1000001~	BK07A A
	VYE3	Additional type	VYE3		
GX690	VAY	Base type	VAY	GCBDK-1000001~	BK05A A
	VYE3	Additional type	VYE3		



BOOKNo. : 13Z6NA01

•Features of each type		Base type	Additional type	Base type	Additional type
		GX630		GX690	
Specifications		VAY	VYE3	VAY	VYE3
Crankshaft	25.4 mm Ø Straight (L=138)				
	28.575 mm Ø Straight (L=162)				
	36.5 mm Ø Straight (L=175.2)				
	5/16" Tapered	●	●	●	●
	25 mm Ø Straight (L=129)				
	M10 Tapered				
Muffler	High-R	(●)		(●)	
	High-L	(●)	●	(●)	●
	Side mount				
Spark arrester		(●)	●	(●)	●
Deflector kit					
Control box		●		●	

## PARTS CATALOGUE NEWS

BOOKNo. : 13Z6NA01

Block No.	Ref. No.	Part No.	Description	Reqd. QTY			Base Part No.	Parts catalogue code
				GX 630	GX 660	GX 690		
E-3	1	11100-Z6L-800	CRANKCASE ASSY. ....	1	-	1	11100-Z6L-000	
	4	15424-Z6L-000	BOLT, SEALING ....	1	-	1		
	8	35480-Z6L-003	SWITCH ASSY., OIL LEVEL ....	1	-	1		
	9		SWITCH, OIL PRESSURE ....	0	-	0	37240-ZG5-004	
	10		SCREW-WASHER, 4X8 ....	0	-	0	90002-ZG5-004	
	16	91309-Z6L-000	O-RING, 37.9X2.4 ....	1	-	1		
	23	95701-06016-00	BOLT, FLANGE, 6X16 ....	2	-	2		
E-6	1	11300-Z6L-010	COVER ASSY., CRANKCASE ....	1	-	1	11300-Z6L-000	
	3	15140-Z6L-010	GEAR COMP., OIL PUMP ....	-	-	1	15140-Z6L-000	
	13	16510-Z6L-010	GOVERNOR ASSY. ....	1	-	1	16510-Z6L-000	
	14	16511-Z6L-310	WEIGHT, GOVERNOR ....	3	-	3	16511-Z6L-300	
	15	16512-Z6L-310	HOLDER, GOVERNOR WEIGHT ....	1	-	1	16512-Z6L-300	
E-16	1		MUFFLER KIT (HIGH-R) ....	(0)	-	(0)	06183-Z6L-010	
	2		ARRESTER KIT (HIGH) ....	(0)	-	(0)	06185-Z6L-000	
	3		MUFFLER COMP. (HIGH-R) ....	(0)	-	(0)	18310-Z6L-003	
	4		PROTECTOR, MUFFLER (HIGH) (FUTABA) ....	(0)	-	(0)	18321-ZJ1-010	
	5		ARRESTER, SPARK ....	(0)	-	(0)	18355-ZJ1-000	
	6		SCREW, TAPPING, 5X8 ....	(0)	-	(0)	93901-250J0	
	7		BOLT, STUD, 8X45 ....	(0)	-	(0)	92900-08045-0B	
	8		BOLT, STUD, 8X60 ....	(0)	-	(0)	92900-08060-0B	
	9		NUT, FLANGE, 8MM ....	(0)	-	(0)	94050-08000	
	10		BOLT, FLANGE, 6X8 ....	(0)	-	(0)	95701-06008-00	
	11		BOLT, FLANGE, 8X20 ....	(0)	-	(0)	95701-08020-00	
E-16-1	1		MUFFLER KIT (HIGH-L) ....	(0)	-	(0)	06183-Z6L-801	

## PARTS CATALOGUE NEWS

BOOKNo. : 13Z6NA01

Block No.	Ref. No.	Part No.	Description	Reqd. QTY			Base Part No.	Parts catalogue code
				GX 630	GX 660	GX 690		
	2		ARRESTER KIT (HIGH) .....	(0)	-	(0)	06185-Z6L-000	
	3	18310-Z6L-801	MUFFLER COMP. (HIGH-L) .....	1	-	1	18310-Z6L-801	
	4	18321-ZJ1-010	PROTECTOR, MUFFLER (HIGH) (FUTABA)	1	-	1	18321-ZJ1-010	
	5		ARRESTER, SPARK .....	(0)	-	(0)	18355-ZJ1-000	
	6		SCREW, TAPPING, 5X8 .....	(0)	-	(0)	93901-250J0	
	7	92900-08045-0B	BOLT, STUD, 8X45 .....	1	-	1	92900-08045-0B	
	8	92900-08060-0B	BOLT, STUD, 8X60 .....	1	-	1	92900-08060-0B	
	9	94050-08000	NUT, FLANGE, 8MM .....	2	-	2	94050-08000	
	10	95701-06008-00	BOLT, FLANGE, 6X8 .....	6	-	6	95701-06008-00	
	11	95701-08020-00	BOLT, FLANGE, 8X20 .....	2	-	2	95701-08020-00	
E-20	3		COIL ASSY., CHARGE (17A) .....	-	-	0	31630-Z6L-003	
	4	31630-Z6L-801	COIL ASSY., CHARGE (2.7A) .....	-	-	1		
	5		RECTIFIER COMP., REGULATOR (5A)	0	-	-	31750-735-013	
	6	32110-Z6L-800	HARNESS ASSY., ENGINE WIRE ...	1	-	1		
	7		HARNESS ASSY., ENGINE WIRE ... .....	-	-	0	32110-Z6L-840 32110-Z6L-850	
	9		BRACKET, REGULATOR RECTIFIER .	0	-	-	32115-Z6L-000	
	10		HARNESS ASSY., REGULATOR RECTIFIER	0	-	-	32183-Z6L-000	
	12	90672-SB2-003	STRAP, CABLE, 105MM (BLACK) ...	1	-	1		
	14		BOLT, FLANGE, 6X8 .....	0	-	-	95701-06008-00	
	16		BOLT, FLANGE, 6X14 .....	0	-	-	95701-06014-00	
	17		BOLT, FLANGE, 6X30 .....	0	-	-	95701-06030-00	
	18	95701-06032-00	BOLT, FLANGE, 6X32 .....	-	-	7	95701-06032-00	

## PARTS CATALOGUE NEWS

BOOKNo. : 13Z6NA01

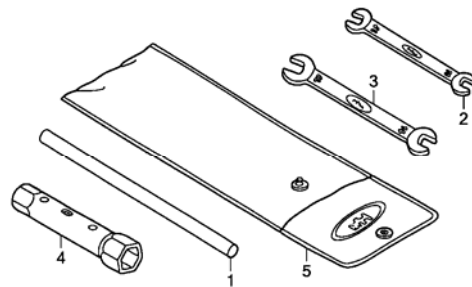
Block No.	Ref. No.	Part No.	Description	Reqd. QTY			Base Part No.	Parts catalogue code
				GX 630	GX 660	GX 690		
E-22	2	16500-Z6L-000	CONTROL ASSY. ....	1	-	-		
	13		HOLDER, CABLE ....	0	-	0	16617-Z6L-000	
	15		BOLT, RECESSED, 4X6 ....	0	-	0	92301-04006-0H	
	20		E-RING, 5MM ....	0	-	0	94540-05018	
	24		CONTROL ASSY. ....	0	-	-	16500-Z6L-830	
	28		HOLDER, CABLE ....	0	-	-	16617-Z6L-000	
	29		BOLT, RECESSED, 4X6 ....	0	-	-	92301-04006-0H	
	30		E-RING, 5MM ....	0	-	-	94540-05018	
E-23	1		LEVER ASSY., THROTTLE ....	0	-	0	17850-Z6L-003	
	2		CABLE COMP., THROTTLE ....	0	-	0	17910-Z6L-000	
	3		CABLE COMP., CHOKE ....	0	-	0	17950-Z6L-000	
	4		KNOB, CHOKE ....	0	-	0	17951-ZV1-000	
	5		COVER, CONTROL ....	0	-	0	31612-Z6L-000	
	6		BRACKET, SWITCH BOX ....	0	-	0	31614-Z6L-000	
	7		PANEL, CONTROL ....	0	-	0	32346-Z6L-000	
	8		BRACKET, CONTROL BOX ....	0	-	0	32347-Z6L-000	
	9		SWITCH ASSY., COMBINATION ....	0	-	0	35100-Z6L-003	
	10		COVER ASSY., FUSE ....	0	-	0	38216-Z2E-003	
	11		METER ASSY., HOUR ....	0	-	0	39700-Z6L-003	
	12		LABEL, FUSE (30A) ....	0	-	0	87117-Z2E-800	
	13		MARK, ENGINE SWITCH ....	0	-	0	87501-Z6L-800	
	14		MARK, THROTTLE SWITCH ....	0	-	0	87502-Z6L-000	
	15		BOLT, SOCKET, 5X9 ....	0	-	0	90011-Z0H-811	
	16		SCREW, TAPPING, 3X8 (PO) ....	0	-	0	90101-SP1-003	

PARTS CATALOGUE NEWS

BOOKNo. : 13Z6NA01

Block No.	Ref. No.	Part No.	Description	Reqd. QTY			Base Part No.	Parts catalogue code
				GX 630	GX 660	GX 690		
	17		SCREW, SPECIAL, 6X8 .....	0	-	0	90380-MB2-000	
	18		GROMMET, CONTROL BOX .....	0	-	0	90601-Z6L-000	
	19		BAND, WIRE, 95MM .....	0	-	0	90650-KV6-003	
	20		CLIP, WIRE HARNESS .....	0	-	0	90681-763-A01	
	21		SCREW, PAN, 5X10.5 .....	0	-	0	91508-GN2-000	
	22		CLIP, COUPLER (BLACK) .....	0	-	0	91565-SEL-003	
	23		SCREW-WASHER, 5X8 .....	0	-	0	93893-05008-07	
	24		SCREW, TAPPING, 5X14 (PO) .....	0	-	0	93913-25310	
	25		FUSE, MINI (30A) .....	0	-	0	98200-43000	
E-28	2		MARK, OPERATOR CAUTION (CHINESE) (MADE IN JAPAN)	0	-	0	87516-ZK6-000	

E-29 TOOL



Z6NOE2900

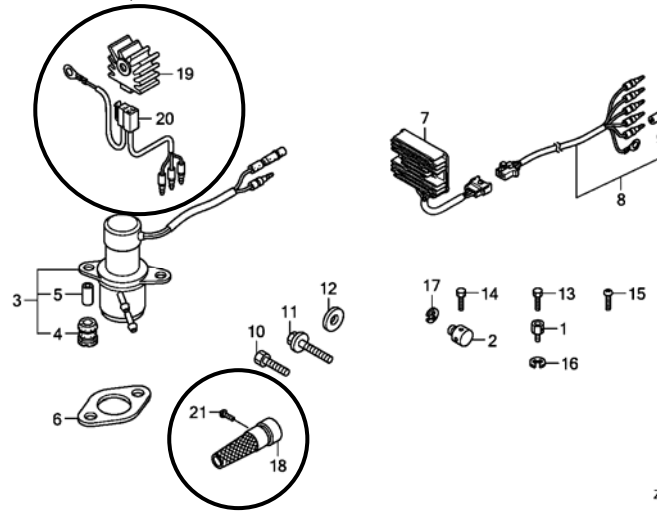
E-29	1	89219-805-000	HANDLE, BOX WRENCH .....	1	-	1		
------	---	---------------	--------------------------	---	---	---	--	--

PARTS CATALOGUE NEWS

BOOKNo. : 13Z6NA01

Block No.	Ref. No.	Part No.	Description	Reqd. QTY			Base Part No.	Parts catalogue code
				GX 630	GX 660	GX 690		
	2	99001-10120	SPANNER, 10X12 .....	1	-	1		
	3	99001-14170	SPANNER, 14X17 .....	1	-	1		
	4	99004-16170	WRENCH, BOX (P16X17) .....	1	-	1		
	5	99008-02300	BAG, TOOL, 230MM .....	1	-	1		

E-40 OTHER PARTS (FUEL PUMP) (REGULATOR RECTIFIER)



Z6NOE4000A

E-40	7		RECTIFIER ASSY., REGULATOR (20A)	-	-	0	31750-Z2E-803	
	8		HARNESS ASSY., SUB WIRE .....	-	-	0	32105-Z6L-000	
	9		PLUG, OUTER CONNECTOR .....	-	-	0	32824-ZV5-003	
	18	18355-ZJ1-000	ARRESTER, SPARK .....	1	-	1		
	19	31750-735-013	RECTIFIER COMP., REGULATOR (5A)	1	-	1		
	20	32183-Z6L-000	HARNESS ASSY., REGULATOR RECTIFIER	1	-	1		

## PARTS CATALOGUE NEWS

BOOKNo. : 13Z6NA01

Block No.	Ref. No.	Part No.	Description	Reqd. QTY			Base Part No.	Parts catalogue code
				GX 630	GX 660	GX 690		
	21	93901-250J0	SCREW, TAPPING, 5X8 .....	1	-	1		



# PARTS CATALOGUE NEWS

Honda Motor Co., Ltd. Service Division

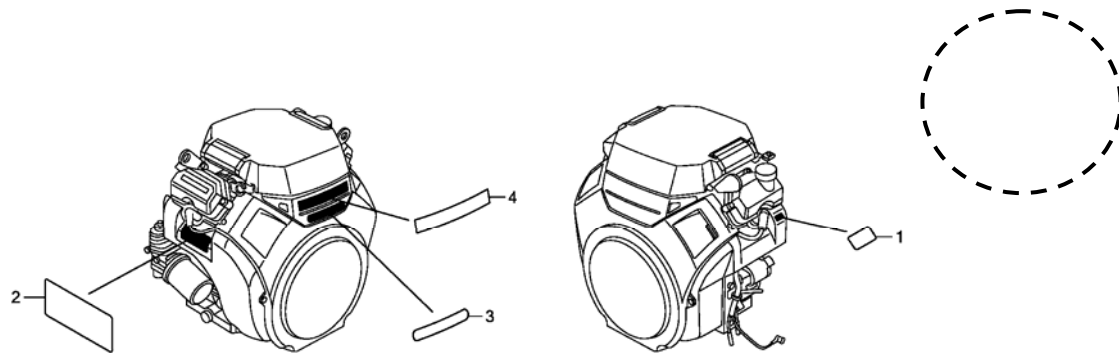
## PARTS CATALOGUE - CORRECTED

Printed in Japan

CODE NO.	13Z6NA01
PARTS CATALOGUE NEWS	GX630 GX660 GX690
NEWS NO.	008

Block No.	Ref. No.	Note	Part No.	Description	Reqd. QTY			Serial No.	Parts catalogue code
					GX 630	GX 660	GX 690		

E-28 LABEL



Z6N0E2800A

E-28	5	E	99004-16170	*PARTS NO. DELETION					
E-29	4	T	99004-16170	WRENCH, BOX (P16X17) .....	1	1	1	-----	QKW1, QWD, SAE1, TAF5, TKW1, TXF3, VEPH, VYE3

NOTE A:PART NO. CHANGE D:NEWLY PROVIDED E:PART NO. DELETION K:REQUIRED NO. CORRECTION L:APPLICATION SERIAL NO. CORRECTION  
T:APPLICATION CORRECTION Z:REMARKS CHANGE