

GENERAL PURPOSE ENGINE

GX670U
GX670R

PARTS CATALOGUE

2



GX670U



GX670R

FOREWORD INDEX

1

ENGINE GROUP

2

PART NUMBER INDEX

3

PART NAME INDEX

4

Instruction for use of parts catalogue

- **This parts catalogue was prepared based on the latest information available as of January 10, 2008.**
- See the parts catalogue news for any revision that is made after January 10, 2008.
- **Always specify the part number when ordering a part.**
- Check the model, type, serial numbers, color, maker, and the size as needed before ordering a part.
- Note that the illustrations (part drawings) can differ from the actual parts in shape. They are given just to help you to refer to the parts.
- **When modifications or additions to this parts catalogue are made, a revised edition will be issued at an appropriate time, with successively progressing revision numbers on the cover. We recommend obtaining such revisions in order to keep your parts catalogue up-to-date at all times. To check whether a parts catalogue revision has been issued, please contact your Honda distributor.**

Initial version issue date June 20, 2005
Honda Motor Co., Ltd.

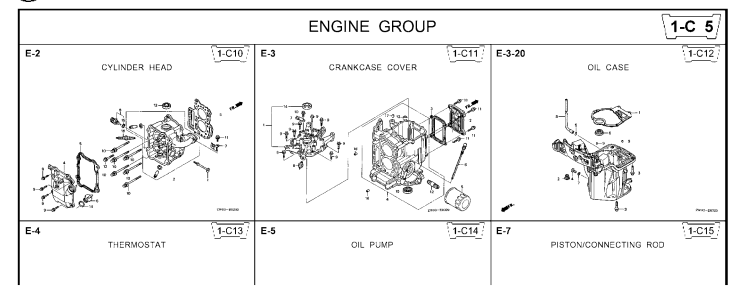
CONTENTS

	Page	Address No.	
● Instruction for use of parts catalogue	1	B 1	1
● How to refer to the part information	2	B 2	
● Part catalogue structure	3	B 3	
● When the parts were revised	4	B 4	
● Abbreviations used in the parts catalogue	4	B 4	
● How to check the part block and serial numbers	5	B 5	
● Models, parts catalogue codes and applicable serial numbers	6	B 6	
● Features of each type	8	B 8	
● Fuel hose, general purpose hoses and vinyl hose	10	B10	
● FLAT RATE SERVICE TIME	11	B11	
● Illustrated index	16	B16	
● ENGINE GROUP	19	D 1	2
● PART NO. INDEX	65	G 1	3
● PART NAME INDEX	68	H 1	4

How to refer to the part information

1

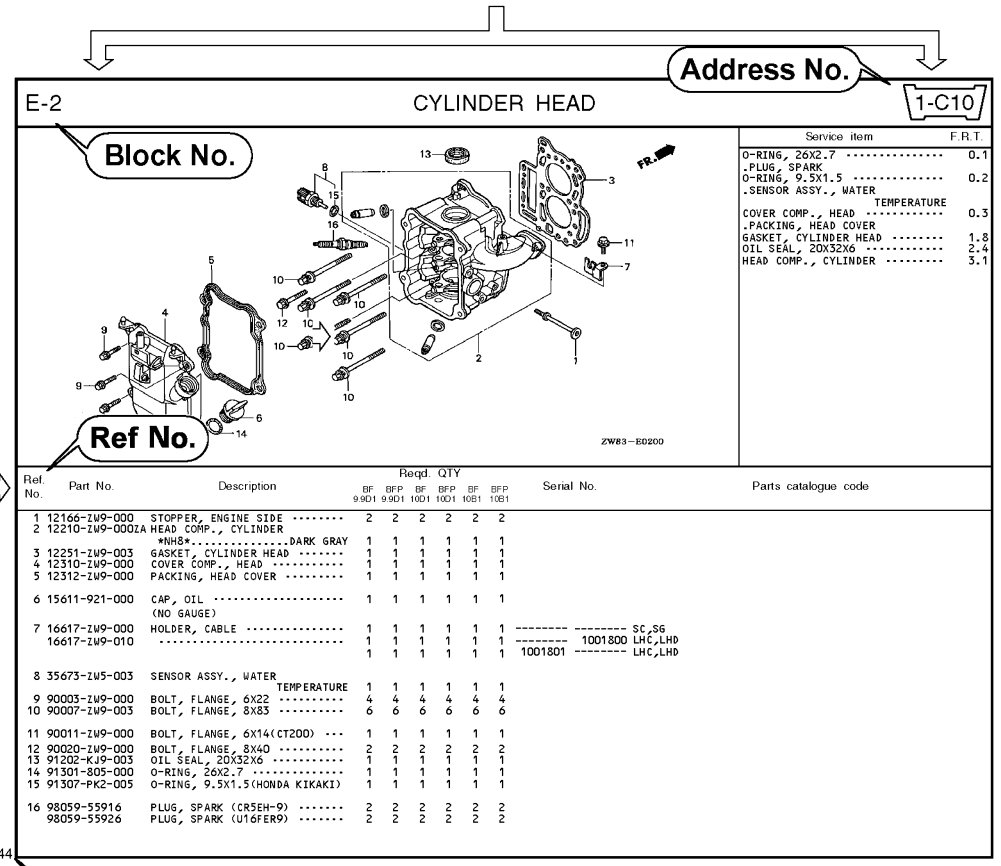
A Reference with "Illustrated index"



B Reference with "Part number index"

PART NO. INDEX

Part Number	Address	Page	Ref.	Part Number	Address	Page
06000				15212-ZW9-000	1-C14	3C
06316-ZW9-000	1-G9	88	1	15220-ZW9-003	1-C14	3C
11000				15332-ZW9-000	1-E8	55
11300-ZW9-405	1-C11	27	1	15332-ZW9-A30	1-E11	5E
11300-ZW9-406	1-C11	27	1	15400-PFB-004	1-C11	27
11340-ZW9-000	1-C11	27	2	15422-ZW9-000	1-C14	3C
11342-ZW9-000	1-C11	27	3	15473-881-000	1-C14	3C
11381-ZW9-003	1-C12	28	1	15474-ZW9-000	1-C14	3C
				15611-921-000	1-C10	2E
				15655-ZW9-000	1-C11	27
12000				16000		
12000-ZW9-405ZA	1-C11	27	4	16010-ZV4-005	1-D4	3E
12155-ZV4-A00	1-C13	29	1	16011-ZV4-005	1-D4	3E
12166-ZW9-000	1-C10	26	1	16013-ZW9-003	1-D4	3E
12209-GB4-681	1-C16	32	1	16016-ZW9-003	1-D4	3E
12210-ZW9-405ZA	1-C10	26	2	16016-ZW9-721	1-D4	3E
12216-ZE2-300	1-E8	55	1	16023-ZW9-003	1-D4	3E
	1-E11	58	1	16024-ZV4-650	1-D4	3E
				16028-ZV4-650	1-D4	3E



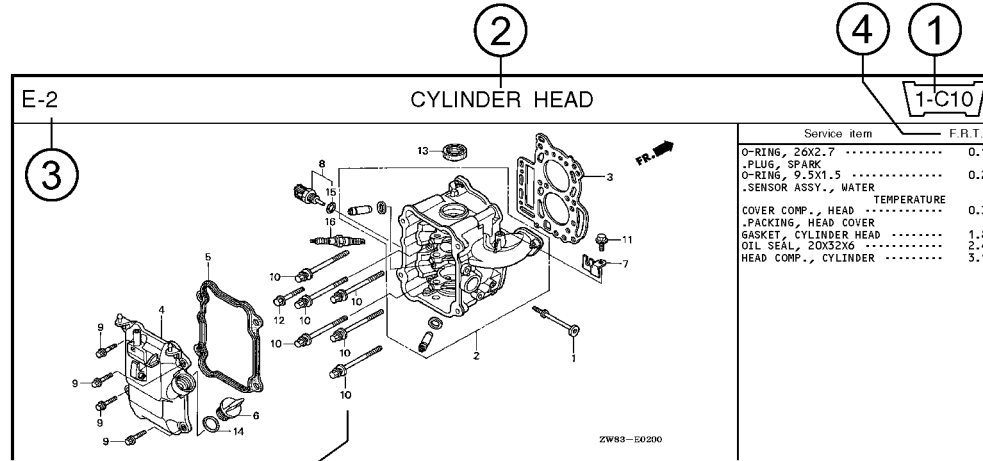
C Reference with "Part name index"

PART NAME INDEX

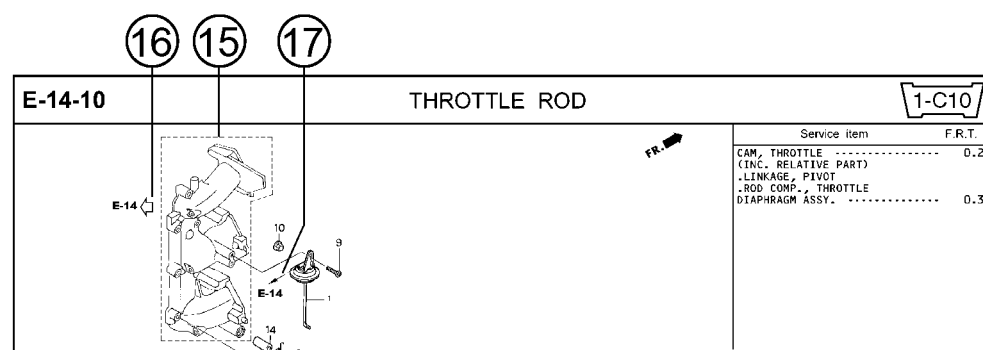
Part name	Address	Page	Ref.
[A]			
ABSORBER, FUEL	1-E15	62	5
ARMATURE COMP.	1-D11	43	7
ARM COMP., LINK JOINT	1-G6	85	18
ARM COMP., SHIFT LINK	1-G6	85	14
ARM COMP., TILT	1-F15	79	20
ARM, FUEL PUMP ROCKER	1-C16	32	4
ARM, REVERSE LOCK	1-F15	79	18
ARM, SHIFT LINK	1-F11	74	7
ARM, STOPPER	1-D1	33	12
ARM, THROTTLE REMOTE	1-F11	74	6
ARM, VALVE ROCKER	1-C16	32	3
[B]			
BAG, TOOL, 160MM	1-G5	84	10
BAND	1-G6	86	37
BAND B1, WIRE	1-F6	69	1
BAND, CORD	1-F3	67	18
BAND, TUBE CLIP, 11MM	1-E15	63	20
BAND, TUBE CLIP, 12.5MM	1-E15	63	19

Page No.

Part catalogue structure



Ref. No.	Part No.	Description	Reqd. QTY						Serial No.	Parts catalogue code
			BF 9/9D1	BFP 9/9D1	BF 10D1	BFP 10D1	BF 10B1	BFP 10B1		
1	12166-ZW9-000	STOPPER, ENGINE SIDE	2	2	2	2	2	2		
2	12210-ZW9-000ZA	HEAD COMP., CYLINDER *NHS* DARK GRAY	1	1	1	1	1	1		
3	12251-ZW9-003	GASKET, CYLINDER HEAD	1	1	1	1	1	1		
4	12310-ZW9-000	COVER COMP., HEAD	1	1	1	1	1	1		
5	12312-ZW9-000	PACKING, HEAD COVER	1	1	1	1	1	1		
6	15611-921-000	CAP, OIL (NO GAUGE)	1	1	1	1	1	1		
7	16617-ZW9-000	HOLDER, CABLE	1	1	1	1	1	1	SC,SG	
	16617-ZW9-010		1	1	1	1	1	1	1001800 LHC,LHD	



① **Address number**
 • Address No. is provided (in place of the page No.) to help you refer to the part with the part No. or part name.

② **Block title** ③ **Block number**

④ **Service item/Flat rate time**

⑤ **Reference number**
 • Title number marked with the parenthesis or parentheses indicates that it continues from the previous page.

⑥ **Part number** ⑦ **Honda color code**

⑧ **Description**

⑨ **Assemblies**
 • Sections framed with broken lines in the exploded view drawings are available as complete assemblies. (Their individual parts can also be obtained.)

⑩ **Color description**

⑪ **Note**
 • Notes are shown with the parentheses in the part name column.

⑫ **Required quantity**
 • Required QTY shown in the parenthesis or parentheses indicates the optional part.
 • Required QTY marked with "N" Indicates the optional part that should be selected as needed.
 • Required QTY indicates the number of the part used in the block.

⑬ **Serial number**

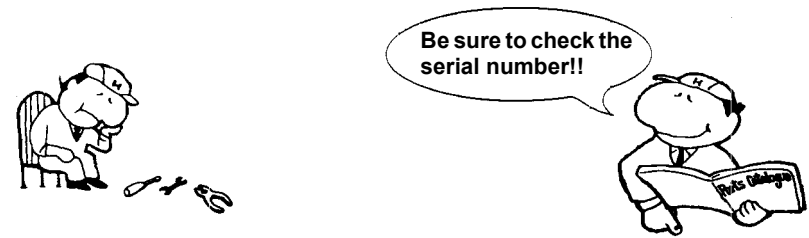
⑭ **Type**
 • When the type column is blank, it indicates that the part is applicable to all types.
 • As the type of the actual unit may differ from the "parts catalogue, type" please refer to "Models, types and applicable serial numbers" for confirmation.

⑮
 • Parts enclosed within a dotted line are covered in a different block.

⑯
 • A hollow arrow indicates the block No. for the parts enclosed within a dotted line .

⑰
 • A solid arrow indicates the block No. the part in question is connected to.

When the parts were revised



Ref. No.	Part No.	Description	Reqd. QTY						Serial No.
			BF 99D1	BFP 9.9D1	BF 10D1	BFP 10D1	BF 10B1	BFP 10B1	
1	12166-ZW9-000	STOPPER, ENGINE SIDE	2	2	2	2	2	2	
2	12210-ZW9-000ZA	HEAD COMP., CYLINDER *NHS* DARK GRAY	1	1	1	1	1	1	
3	12251-ZW9-003	GASKET, CYLINDER HEAD	1	1	1	1	1	1	
4	12310-ZW9-000	COVER COMP., HEAD	1	1	1	1	1	1	
5	12312-ZW9-000	PACKING, HEAD COVER	1	1	1	1	1	1	
6	15611-921-000	CAP, OIL (NO GAUGE)	1	1	1	1	1	1	
7	16617-ZW9-000	HOLDER, CABLE (###)	1	1	1	1	1	1	SC, SG LHC, LHD LHC, LHD
	16617-ZW9-010	1	1	1	1	1	1	

The number has been used from the initial model without revision.

When shown at the left side, it is applicable to the models of No.1001801 and the subsequent numbers.

When shown at the right side, it is applicable to the models up to No.1001800.

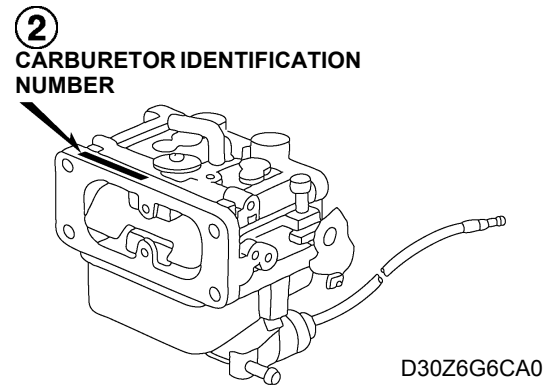
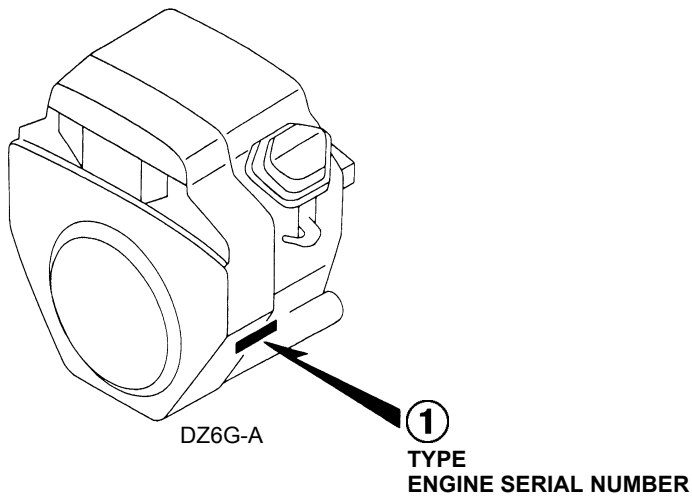
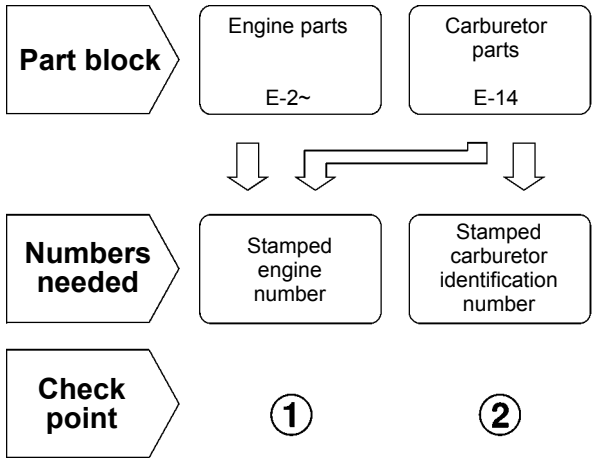
• The parts listed with "###" at the end of the parts name have limited supply period (parts not for sale).

Abbreviations used in the parts catalogue

• The following abbreviations are used in the parts name column.

- A Ampere
- A.C. Alternating current
- ASSY. Assembly
- AT. Automatic transmission
- C.D.I. Capacitive discharge ignition
- COMP. ... Complete
- D.C. Direct current
- EX. Exhaust
- G.F.C.I ... Ground fault circuit interruptor
- HEX. Hexagonal
- H.S.T. Hydrostatic transmission
- FR.Front
- IN.Inlet
- L (100L) .Link (100 Links)
- L.Left
- MMMillimeter
- MT.Manual Transmission
- P.T.O.Power take off
- R.Right
- RR.Rear
- STD.Standard
- T (22T) ...Tooth (22 Teeth)
- VVolt
- WWatt

How to check the part block and serial numbers



Models, parts catalogue codes and applicable serial numbers

- Models, parts catalogue codes and applicable serial Nos. given in this parts catalogue can be identified as follows.

Model	Type	Parts catalogue type	Applicable engine serial No.	Applicable carburetor identification No.
GX670U	BAF	BAF	GCASK-1000001~	BK01A A/B
	BDW	BDW		BK01A B
	BDWN	BDWN		BK01A A/B
	BXF	BXF		
	BXF5	BXF5		BK01A B
	BXF9	BXF9		
	TAF	TAF		BK01A A/B
	TDW	TDW		
	TDWN	TDWN		BK01A B
	TWF6	TWF6		BK01A A/B
	TXA2	TXA2		BK01D A/B
	TXF	TXF		BK01A A/B
	TXF2	TXF2		
	TXF4	TXF4		
	TXF5	TXF5		
	TXF7	TXF7		
	TXF8	TXF8		
	TXF9	TXF9		
TXW	TXW			

Model	Type	Parts catalogue type	Applicable engine serial No.	Applicable carburetor identification No.
GX670U	VAB2	VAB2	GCASK-1000001~	BK01G A/B
	VXE1	VXE1		BK01B B/C/D
	VXE2	VXE2		
	VXE4	VXE4		
GX670R	BDW	BDW		BK01A B
	TAF	TAF		
	TDW	TDW		

* Of carburetor identification numbers, only the portions underlined in the example below are used for registration.

BK01A A KC †

Features of each type

- See the following table for the features of each type. (Items in brackets are optional)

Specifications		Model	GX670U								
		Type	BAF	BDW	BDWN	BXF	BXF5	BXF9	TAF	TDW	TDWN
Crankshaft	28.575mm Ø Straight								●	●	●
	36.5mm Ø Straight	●	●	●	●	●	●				
	1/10" Tapered										
	3/16" Tapered										
Air cleaner	Standard	●	●	●	●	●	●	●	●	●	
	Snorkel										
Control box		●			●	●		●			
Winter kit											

Specifications		Model	GX670U							
		Type	TWF6	TXA2	TXF	TXF2	TXF4	TXF5	TXF7	TXF8
Crankshaft	28.575mm Ø Straight	●	●	●	●	●	●	●	●	●
	36.5mm Ø Straight									
	1/10" Tapered									
	3/16" Tapered									
Air cleaner	Standard	●		●	●	●	●	●	●	●
	Snorkel		●							
Control box		●	●	●	●	●	●	●	●	
Winter kit		(●)								

Specifications		Model	GX670U					GX670R		
		Type	TXW	VAB2	VXE1	VXE2	VXE4	BDW	TAF	TDW
Crankshaft	28.575mm Ø Straight	●						●	●	
	36.5mm Ø Straight						●			
	1/10" Tapered		●							
	3/16" Tapered			●	●	●				
Air cleaner	Standard	●		●	●	●	●	●	●	
	Snorkel									
Control box		●		●	●	●		●		
Winter kit										

Fuel hose, general purpose hoses and vinyl hose

- The standard part fuel hose, general purpose hose and vinyl hose may be substituted by the coiled bulk part.
- When ordering the standard part fuel hose, general purpose hose and vinyl hose use the bulk part number written in the parts catalog in brackets () underneath the part name.
- When exchanging the hose, cut and use at the specified length as mentioned in the part name.
(For the method of cutting the bulk part, and method of filling out orders etc., please refer to the instructions issued with the bulk part.)

Bulk part number of fuel hose, general purpose hose and vinyl hose.

Example: 9 5 0 0 1 - 7 5 0 0 1 - 5 0 M

Bulk part number:

Refers to the bulk part.

Marking code (fuel hose and general purpose hose)

Change code (Vinyl hose)

Indicates number mark or change sequence, however, the code for the bulk part must be strictly 0 (zero).

Types of code:

- | | | | | | |
|-------------|--|----------------|-------------|--------------|---------------|
| • Fuel hose | 2: Red outside braid
(3 mm inside dia. only) | • General hose | 1: Ash gray | • Vinyl hose | 1: Clear |
| | 5: Black inside braid | | 2: Ash gray | | 2: Black |
| | 3: Red (3 mm inside dia. only) | | 3: Black | | 3: Light red |
| | 4: Ash gray with red stripe
(3 mm inside dia. only) | | 5: Black | | 6: Light red |
| | 6: Black | | | | 7: Pale black |

Lengths:

- 001: 1 m (standard)
003: 3 m
008: 8 m } Application or specification of some parts is not settled.

I.D code: (fuel hose and general purpose hose)

- | | | | | |
|------------|--------------------|--------------------|-----------------------------|-----------------------------|
| 30: 3.0 mm | 50: 5.0 mm | 70: 7.0 mm | 11: 11 mm | 12: 12 (outside dia. 17) mm |
| 35: 3.5 mm | 55: 5.3 mm, 5.5 mm | 75: 7.3 mm, 7.5 mm | 91: 12 (outside dia. 15) mm | 14: 14 mm |
| 45: 4.5 mm | 65: 6.5 mm | 80: 8.0 mm | 92: 12 (outside dia. 16) mm | 17: 17 mm |

ID./OD. code: (vinyl hose)

- | | | | | |
|-------------------------|--------------------------|---------------------------|---------------------------|---------------------------|
| 01: ID. 2.9, OD. 6.8 mm | 12: ID. 5.0, OD. 7.0 mm | 21: ID. 8.0, OD. 9.0 mm | 37: ID. 11.0, OD. 15.0 mm | 50: ID. 16.0, OD. 19.0 mm |
| 03: ID. 3.0, OD. 6.0 mm | 10: ID. 5.0, OD. 8.0 mm | 23: ID. 8.0, OD. 12.0 mm | 38: ID. 12.0, OD. 13.0 mm | 55: ID. 17.5, OD. 20.5 mm |
| 05: ID. 3.5, OD. 6.5 mm | 11: ID. 5.0, OD. 9.0 mm | 25: ID. 9.0, OD. 11.0 mm | 39: ID. 12.0, OD. 14.0 mm | 60: ID. 22.0, OD. 27.0 mm |
| 07: ID. 4.0, OD. 7.0 mm | 14: ID. 6.0, OD. 9.0 mm | 27: ID. 9.0, OD. 13.0 mm | 40: ID. 12.0, OD. 16.0 mm | |
| 08: ID. 4.5, OD. 6.5 mm | 17: ID. 7.0, OD. 9.0 mm | 33: ID. 10.0, OD. 14.0 mm | 43: ID. 13.0, OD. 15.0 mm | |
| 09: ID. 4.5, OD. 8.0 mm | 19: ID. 7.0, OD. 11.0 mm | 36: ID. 11.0, OD. 13.0 mm | 45: ID. 14.0, OD. 18.0 mm | |

Hose type:

- 1: Fuel hose
3: Vinyl hose
5: General hose

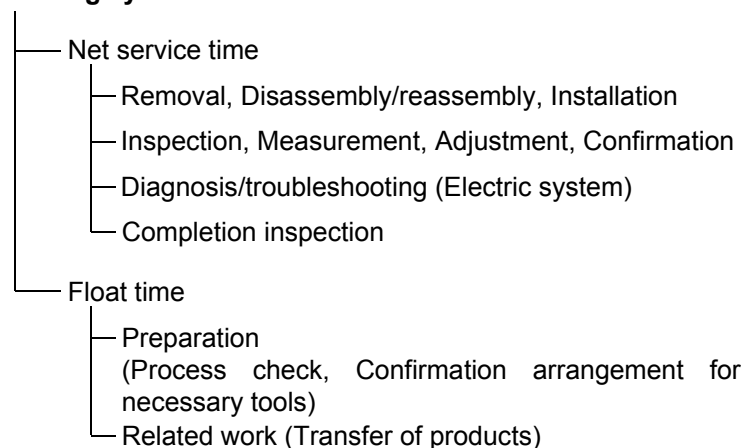
⊙ **CAUTION: It is DANGEROUS to confuse the fuel hose with the general purpose hose or vinyl hose.**

Never use a general purpose hose or vinyl hose in place of a fuel hose or vice versa. Always use the correct bulk part in the parts catalogue, according to the service manual or the instructions issued with the bulk part.

FLAT RATE SERVICE TIME

Flat rate service time (FRT) means the standard time required to service a product, which is listed in this manual to help the dealers control the actual working process and calculate the service charge by using it as a guide.

FRT setting system



* Float time is set by multiplying the net service time by a given coefficient.

Editorial style

The service items shown in the text are listed with the exchange work time for the repair sales parts as the subject. Other representative service items not using repair parts (removal/installation, adjustment, inspection/measuring, and other work) are listed collectively in the list in the preface, classified according to the work.

FRT setting standard

- Decimal system (in unit of 0.1) is adopted to set FRT as it is convenient to calculate the wage.
Example: (0.1) → 6 minutes, (0.2) → 12 minutes
[Labor cost per hour] x [FRT] = [Wage]
- FRT is set with a hand tool.
- Service items and FRT can be subject to change depending on development of tools and service equipment and improvement in service procedure.

Work procedure

- As the work procedure is set with the work time according to the method in the separate Service Manual, refer to this Manual as required.
- Work methods permitting servicing in the shortest time still permitting assurance of safe work and product warranty are used for the setting of service items not listed in the Service Manual.
- Work basically is to be performed by one person, and when two or more people are required, setting is done as the total time for the number of people.
- The set value for the technological level of the workers uses a person with three years of experience in the repair of Honda products as the standard.
- Special tools and service equipment used to set FRT are those specified or recommended in Service Manual.

Service item whose FRT is not presented

- Accessories and service parts that are not listed to use in this manual.
 - Locations with little aging deterioration or breakage during normal use.
 - Service work that can be finished by one touch.
 - Service work that is seldom done (i.e. extremely small causes of trouble and service frequency).
 - Products and parts whose location for installation differs according to its status of use and application.
- * When FRT is not presented, please calculate wages based on appropriate actual work time.

Operation not included of FRT

- Oil and coolant water draining, Waiting time for warming up operation and etc..
- Additional operation that involves removal/installation of standard exterior equipment.
- Indirect time spent for service by visiting the customer, trade-in, and delivery.
- Indirect time required for ordering and delivery of parts.
- Cost for grease, adhesive agent, etc. used for service work.

**Explanation of FRT by using an example
(The example may differ from the actual presented items)**

Ref. No.	L.O.N.	(Relative ref. Number) Description	F.R.T.
①	1111L1	④ (1, 3, 4, 7) VALVE, INTAKE 4.1	②
②		• NOTE: OHV type ⑥	⑦
③	1111L1A	• Includes: Engine removal and installation	
		One head (intake all) add 1.4 ⑤	

- ① Reference No. of the illustration of part that shows location of the replacement work.
- ② FRT is an abbreviation of Flat Rate Time indicating the standard service time required for the replacement.
- ③ LON is an abbreviation of Labor Operation Number, and it is a classification of the service items by the work unit code.

The same operation code is used regardless of the models.

Standard operation is indicated with 6 digits code, and additional operation is indicated with 7 digits code.

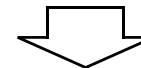
- ④ Indicating the intake valve replacement and FRT4.1.
- ⑤ Indicating FRT1.4 that will be added when additional operation (whole intake side of one cylinder head) is done in association with intake valve replacement.

- ⑥ Indicating work condition or application condition of the service item.
- ⑦ Indicating work contents that are included in the service item.
- ⑧ Indicating a reference No. whose operation and time are the same as FRT4.1 for the intake valve.

(The application range is limited to the service items without an LON setting within a same block.)

**How to refer to the service item by using the sample
(intake valve replacement)**

Open to the page of the block where the intake valve's spare part illustration is shown.



Look for the intake valve illustration, and refer to the service item and FRT that agree with the reference No.

Indication mark for the listing of service items that continues to the following page

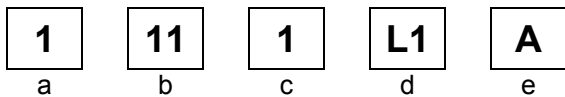
Ref. No.	L.O.N.	(Relative ref. Number) Description	F.R.T.
2	1111L1	VALVE, INTAKE	4.1
	.	.	.
	.	.	.

+
Mark indicated at the last line.

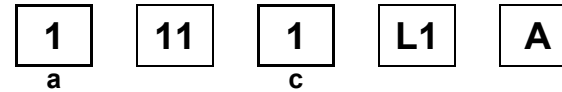
Indication of the block with no setting of FRT

Ref. No.	L.O.N.	(Relative ref. Number) Description	F.R.T.
NO INFORMATION			

• LON code system



- a) Category code..... Engine
- b) Location/function code..... Engine upper
- c) Operation code..... Replace
- d) Operation sequence number (Unit code can be shown with alphabet)
..... Intake valve
(No regular rule of code)
- e) Additional code One head (intake all)
(No regular rule of code)



a) Category codes and classification

Code	Category
1	Engine
2	Power drive
3	Fuel & Exhaust
4	Frame & Body
5	Steering
6	Electrical
7	Axle & Brake
8	Control system
9	-
0	Attachments

c) Operation codes and classification

Code	Operation category
1	Replace, Removal/Installation, Change
2	Overhaul
3	Adjust, Rotation
4	(Paint-related work: Top-coat)
5	Test, Inspect/diagnose, Measurement
6	(Overhaul-related work: Rebore)
7	(Overhaul-related work: Reseal)
8	(Resurface)
9	(Paint-related work: Refinish)
0	Repair, Cleaning, Air bleeding

Major service items without using spare parts

- (1) Removal/Installation, (2) Adjustment,
(3) Inspection/Measurement, (4) Overhaul, (5) Other work

E: Engine, T: Transmission, D: Drive system,
B: Body and related parts

(1) Removal/Installation

Set with the parts configuration in the status of being removed from the product.

	LON	DESCRIPTION	FRT
E		CYLINDER HEAD ASSEMBLY-REMOVAL/INSTALLATION	
	1111N0	LEFT	1.2
	1111N1	RIGHT	1.2
	1111N2	BOTH	2.0

(2) Adjustment

	LON	DESCRIPTION	FRT
E	1113A1	VALVE CLEARANCE-ADJUSTMENT NOTE: For 1 product	0.3
	1163A0	CONTROL, THROTTLE/GOVERNOR-ADJUSTMENT	0.2
	3113A2	CARBURETOR IDLE-ADJUSTMENT	0.2

(3) Inspection, Measurement, Cleaning

	LON	DESCRIPTION	FRT
E	1105A0	ENGINE OIL-INSPECTION	0.1
	3120A0	AIR CLEANER-CLEANING INCLUDES: Air cleaner-inspection	0.2
	3130A0	SPARK ARRESTER-CLEANING	0.2
	6140A0	SPARK PLUG-ADJUSTMENT/CLEANING NOTE: For 1 product	0.2

(4) Overhaul

Work condition: The required Measurements, inspections, adjustments, and cleaning/washing of each part are performed, including the main body removal/installation work and the replacement of defective parts.

	LON	DESCRIPTION	FRT
E	3112A0	CARBURETOR-OVERHAUL INCLUDES: All necessary adjustment	0.6

(5) Other work

	LON	DESCRIPTION	FRT
E	1101E1	ENGINE OIL-CHANGE INCLUDES: Engine oil-inspection	0.1

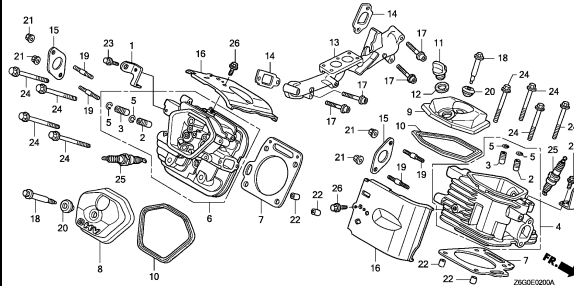
ENGINE GROUP

B16

E-2

CYLINDER HEAD

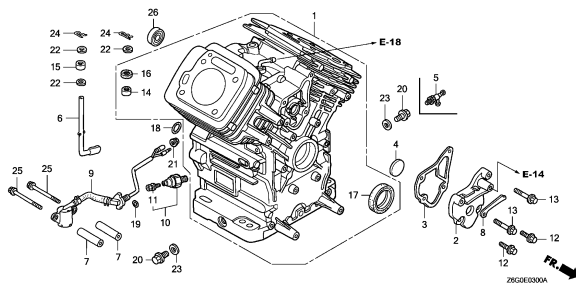
D 1



E-3

CYLINDER BARREL

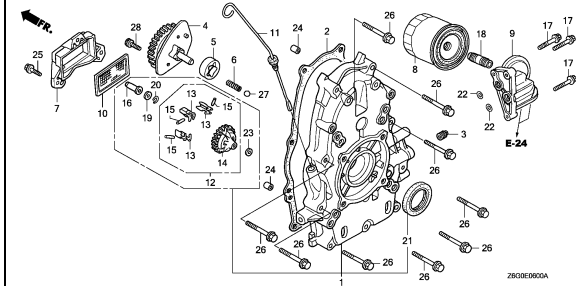
D 3



E-6

CRANKCASE COVER

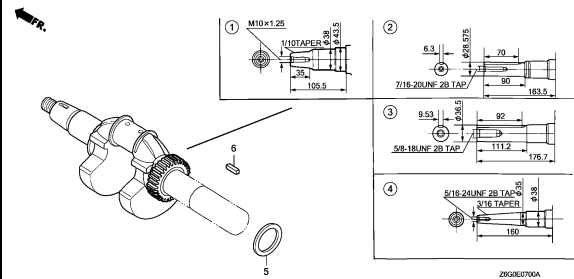
D 5



E-7

CRANKSHAFT

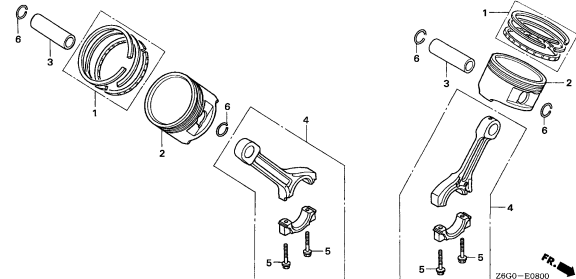
D 7



E-8

PISTON/CONNECTING ROD

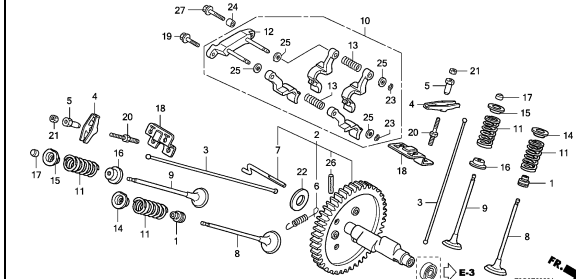
D 8



E-9

CAMSHAFT

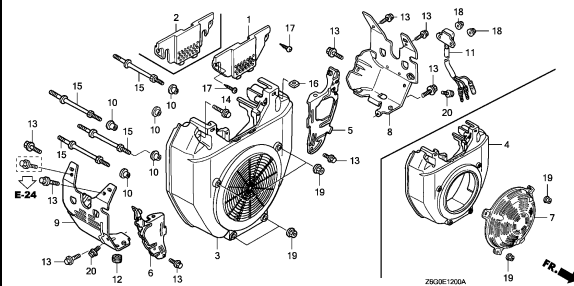
D10



E-12

FAN COVER

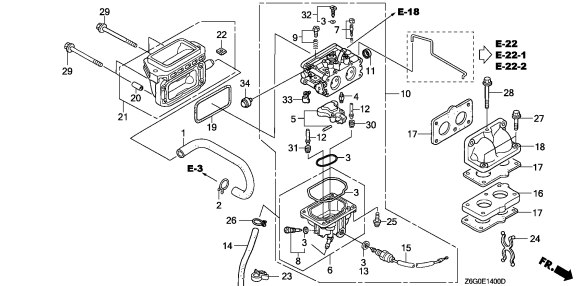
D16



E-14

CARBURETOR

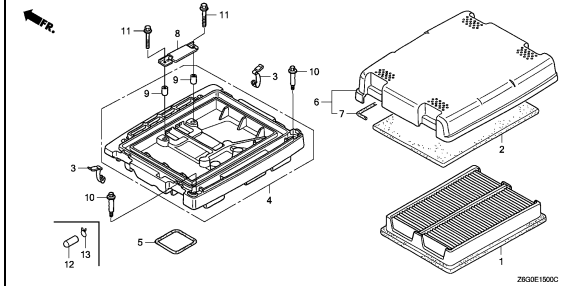
E 2



E-15

AIR CLEANER(STANDARD)

E 4



2

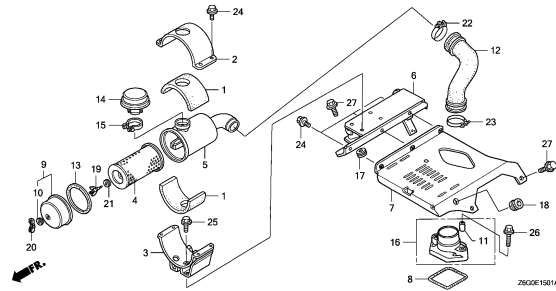
ENGINE GROUP

C 1

E-15-1

AIR CLEANER(SNORKEL)

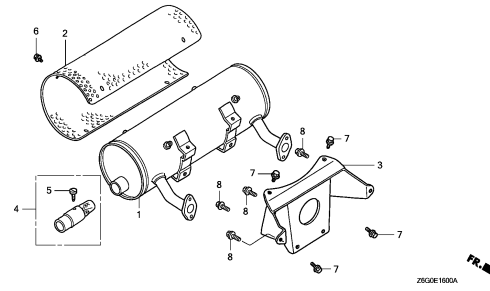
E 6



E-16

MUFFLER(HIGH-R)

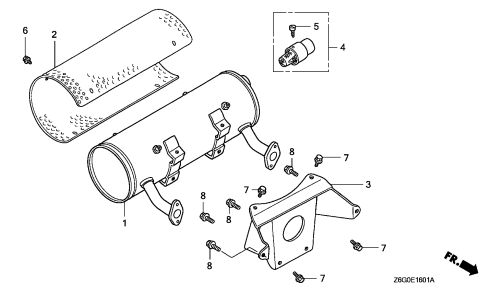
E 8



E-16-1

MUFFLER(HIGH-L)

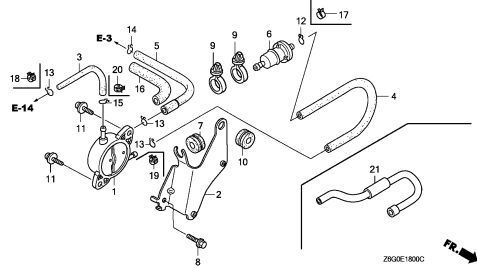
E 9



E-18

FUEL PUMP

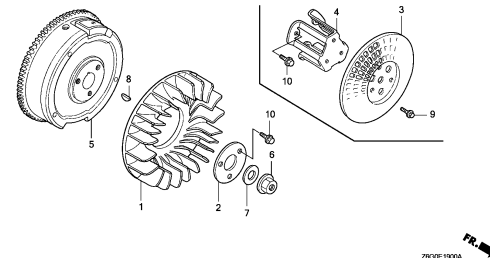
E10



E-19

FLYWHEEL

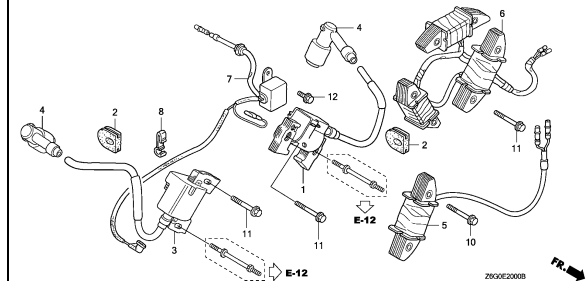
E12



E-20

IGNITION COIL

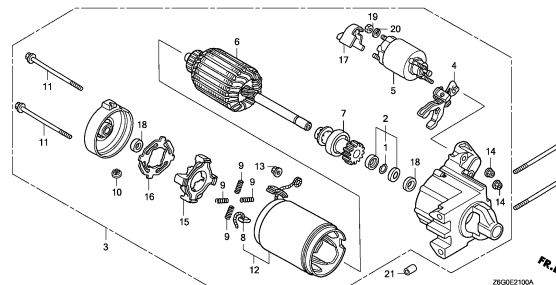
E13



E-21

STARTER MOTOR

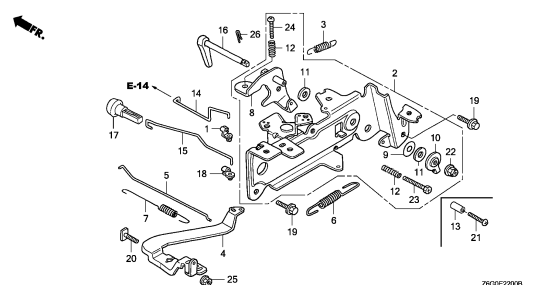
E15



E-22

CONTROL(1)

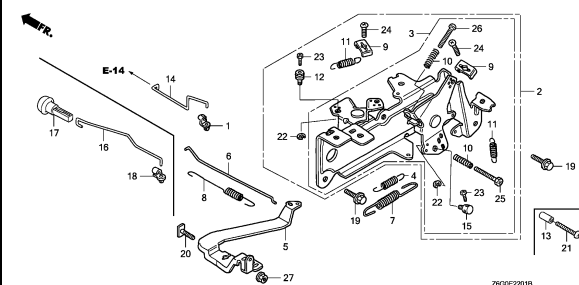
F 1



E-22-1

CONTROL(2)

F 3



2

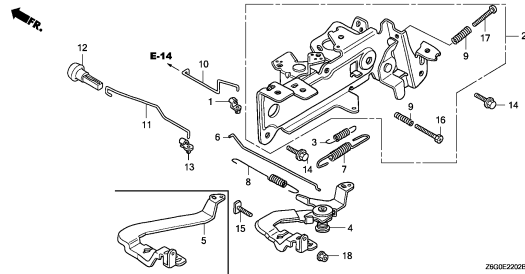
ENGINE GROUP

C 2

E-22-2

CONTROL(3)

F 5

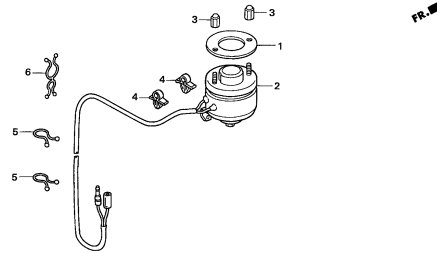


Z6G0E220R

E-22-20

AUTO THROTTLE

F 6

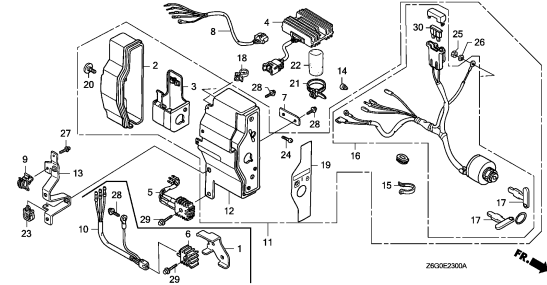


Z6G0-E2220

E-23

CONTROL BOX

F 7

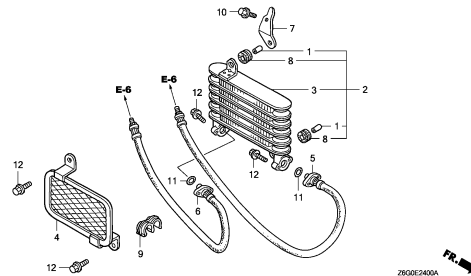


Z6G0E230A

E-24

OIL COOLER

F10

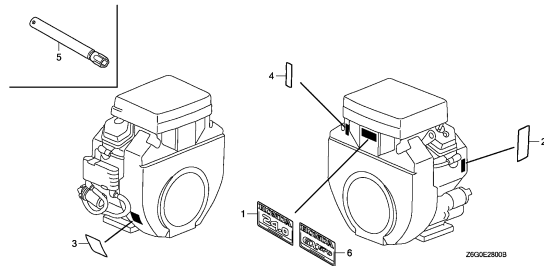


Z6G0E240A

E-28

LABEL/TOOL

F11

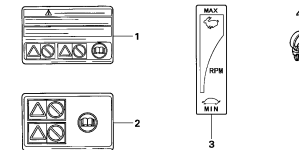


Z6G0E280B

E-40

OTHER PARTS(LABEL)

F12

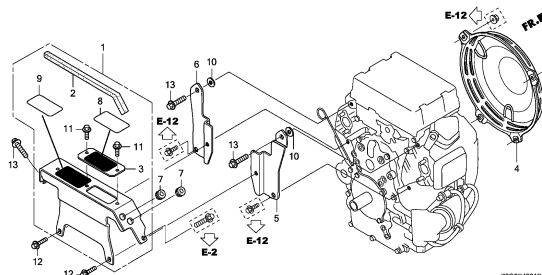


Z6G0-E4000

E-40-1

OTHER PARTS(CONTROL COVER)

F13

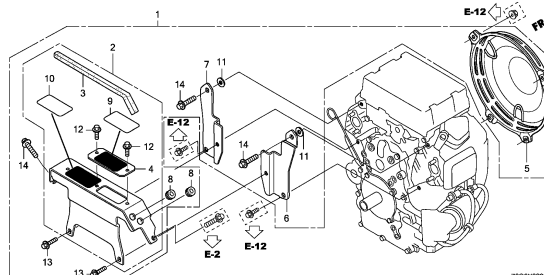


Z6G0E401B

EOP-2

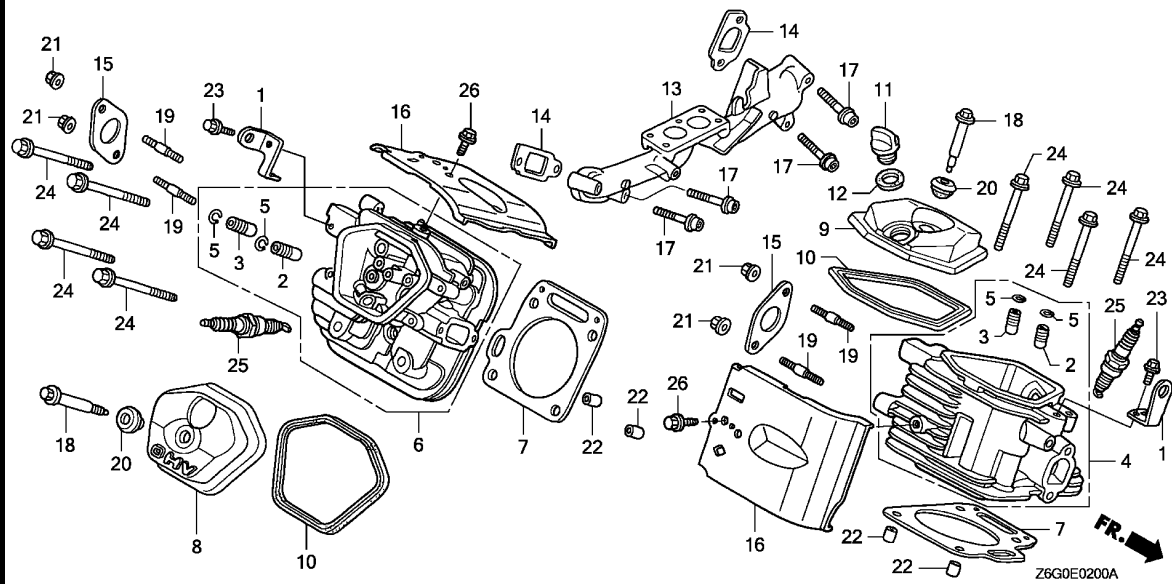
WINTER KIT

F14



Z6G0E200B

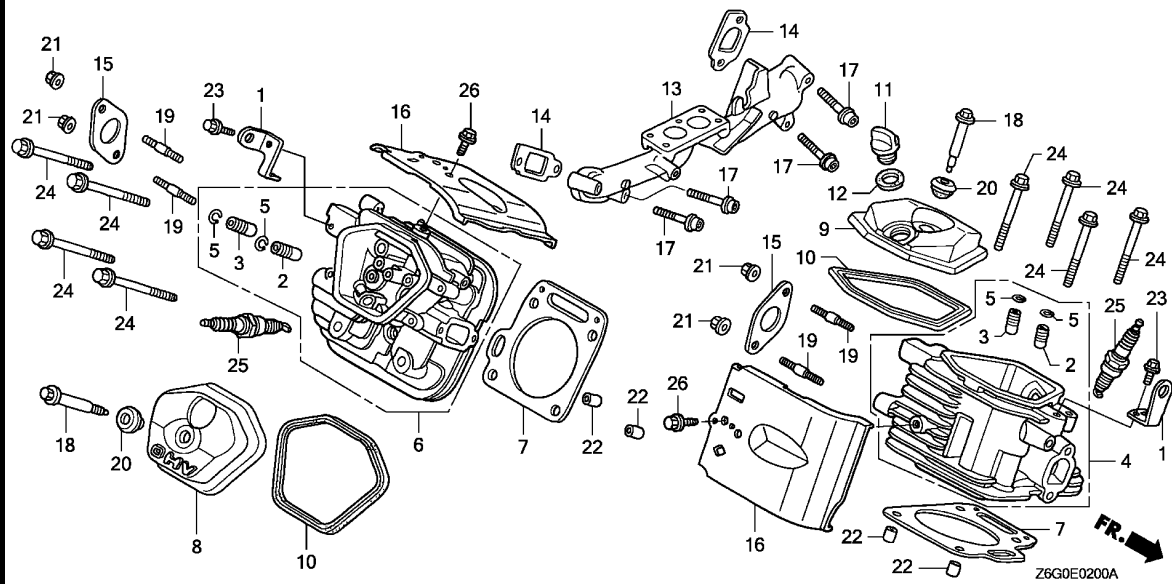
2



Ref. No.	L.O.N.	(Relative ref. Number) Description	F.R.T.
4	1111F2	HEAD, CYLINDER :LEFT BANKINCLUDES: Valve clearance adjustment and reface	1.6
	1111L4	HEAD, CYLINDER :BOTH BANKSINCLUDES: Valve clearance adjustment and reface	2.4
6	1111F3	HEAD, CYLINDER :RIGHT BANKINCLUDES: Valve clearance adjustment and reface	1.6
	1111L4	HEAD, CYLINDER :BOTH BANKSINCLUDES: Valve clearance adjustment and reface	2.4
7	1111M4	GASKET, CYLINDER HEAD :LEFT ..	1.2
	1111M5	GASKET, CYLINDER HEAD :RIGHT ..	1.2
	1111M6	GASKET, CYLINDER HEAD :BOTH ..	2.0
8	1111D4	COVER, CYLINDER HEAD AND/OR PACKING, HEAD COVER :RIGHT ..	0.2
	1111L5	COVER, CYLINDER HEAD AND/OR PACKING, HEAD COVER :BOTH ...	0.4
9	1111D3	COVER, CYLINDER HEAD AND/OR PACKING, HEAD COVER :LEFT ...	0.2
	1111L5	COVER, CYLINDER HEAD AND/OR PACKING, HEAD COVER :BOTH ...	0.4

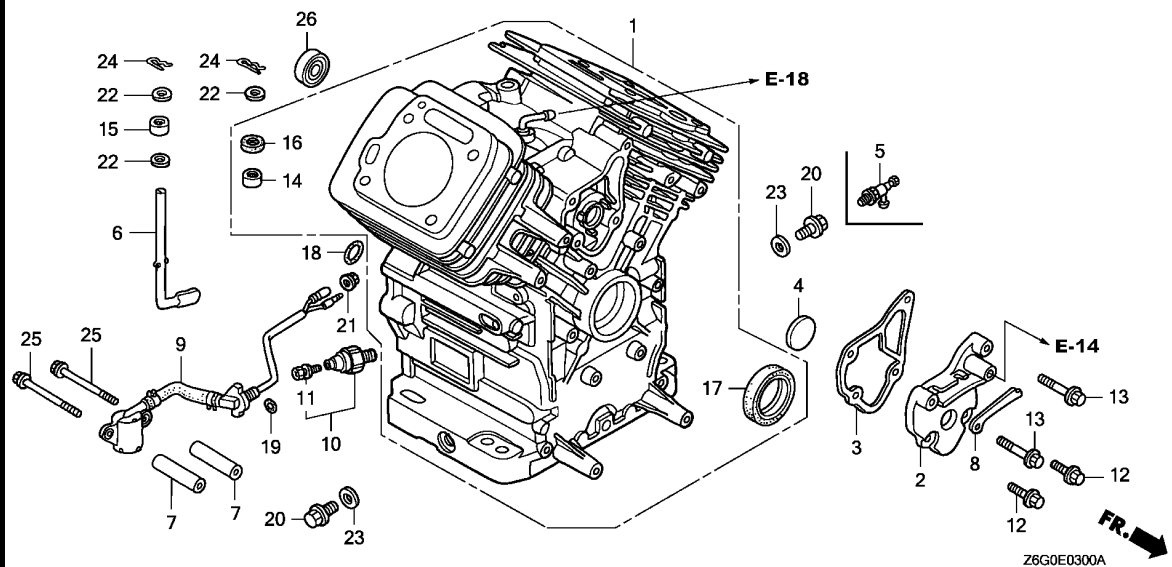
Ref. No.	Part No.	Description	Reqd. QTY		Serial No.	Parts catalogue code
			GX 670 U	GX 670 R		
1	11911-ZJ1-840	HANGER, ENGINE	1	-	----- TXA2	
			2	-	----- BAF,BDW,BDWN,BXF,BXF5,BXF9,TAF,TDW,TDWN,TWF6,TFX,TFX2,TFX4,TFX5,TFX7,TFX8,TFX9,TXW,VAB2,VXE1,VXE2,VXE4	
			-	2		
2	12204-ZE2-306	GUIDE, IN. VALVE (O.S.)	2	2		
3	12205-ZJ1-405	GUIDE, EX. VALVE (O.S.)	2	2		
4	12210-ZJ1-406	HEAD COMP., CYLINDER (#1) ...	1	1		
5	12216-ZE2-300	CLIP, VALVE GUIDE	4	4		
6	12220-ZJ1-405	HEAD COMP., CYLINDER (#2) ...	1	1		
7	12251-ZJ1-841	GASKET, CYLINDER HEAD	2	2		
8	12311-ZJ1-840	COVER, HEAD	1	1		
9	12314-ZJ1-840	COVER, HEAD FILLER	1	1		
10	12391-ZE2-020	PACKING, HEAD COVER	2	2		
11	15611-MB0-000	CAP, OIL FILLER	1	1		
12	15625-ZJ1-840	PACKING, OIL FILLER CAP	1	1		
13	17101-ZN1-000	MANIFOLD, INTAKE	1	1		
14	17151-ZJ1-841	GASKET, INTAKE MANIFOLD	2	2		
15	18333-ZE3-800	GASKET, EX. PIPE	2	2		
16	19682-ZJ1-840	SHROUD, HEAD	2	2		
17	90011-ZJ1-841	BOLT, SOCKET, 8X45	4	4		
18	90014-ZE2-000	BOLT, HEAD COVER	2	2		
19	90018-ZJ1-840	BOLT, STUD, 8X22	4	4		
20	90441-ZE2-010	WASHER COMP., HEAD COVER ...	2	2		
21	94050-08000	NUT, FLANGE, 8MM	4	4		
22	94301-12200	DOWEL PIN, 12X20	4	4		





Ref. No.	L.O.N.	(Relative ref. Number) Description	F.R.T.
13	3111C4	MANIFOLD, INTAKE	0.6
14	3111M6	PACKING, INTAKE MANIFOLD :LEFT	0.6
		.NOTE: Same time for two units	
	3111M7	PACKING, INTAKE MANIFOLD :RIGHT	0.6
		.NOTE: Same time for two units	
15	3131J1	GASKET, EXHAUST PIPE :LEFT ..	0.6
	3131J2	GASKET, EXHAUST PIPE :RIGHT ..	0.6
16	4141J8	SHROUD, CYLINDER HEAD :LEFT ..	0.4
	4141J9	SHROUD, CYLINDER HEAD :RIGHT ..	0.4
25	6141E6	PLUG, SPARK :LEFT BANK	0.1
		.INCLUDES: Spark plug check	
	6141E7	PLUG, SPARK :RIGHT BANK	0.1
		.INCLUDES: Spark plug check	
	6141E8	PLUG, SPARK :BOTH BANKS	0.2
		.INCLUDES: All spark plug check	

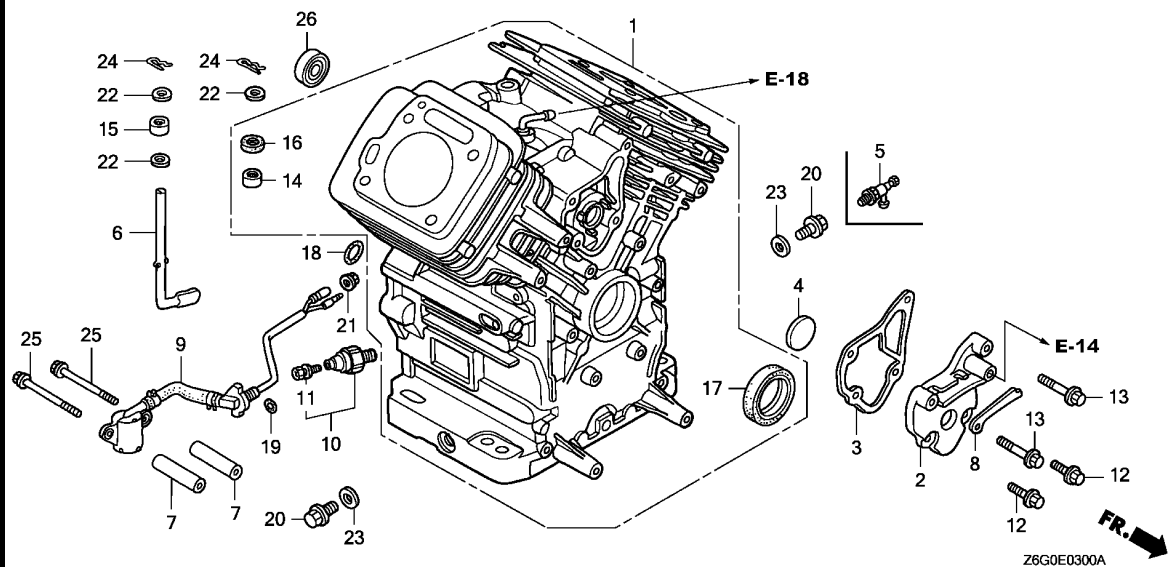
Ref. No.	Part No.	Description	Reqd. QTY		Serial No.	Parts catalogue code
			GX 670 U	GX 670 R		
23	95701-08020-00	BOLT, FLANGE, 8X20	2	2		
24	95701-10080-00	BOLT, FLANGE, 10X80	8	8		
25	98079-52876	PLUG, SPARK (BPR2ES) (NGK) ...	(2)	(2)		
	98079-5485V	PLUG, SPARK (J14CR-U) (DENSO)	(2)	(2)		
	98079-5487V	PLUG, SPARK (ZGR4A)	(2)	(2)		
	98079-5585V	PLUG, SPARK (J16CR-U) (DENSO)	2	-	----- BAF, BDW, BDWN, BXF, BXF5, BXF9, TAF, TDW, TDWN, TWF6, TXA2, TXF, TXF2, TXF4, TXF5, TXF7, TXF8, TXF9, TXW, VXE1, VXE2, VXE4	
			2	-	----- 1013056 VAB2	
			-	2		
	98079-5587V	PLUG, SPARK (ZGR5A)	2	-	----- BAF, BDW, BDWN, BXF, BXF5, BXF9, TAF, TDW, TDWN, TWF6, TXA2, TXF, TXF2, TXF4, TXF5, TXF7, TXF8, TXF9, TXW, VXE1, VXE2, VXE4	
			2	-	----- 1013056 VAB2	
			-	2		
	98079-52876	PLUG, SPARK (BPR2ES) (NGK) ...	2	-	1013057 ----- VAB2	
26	90014-952-000	BOLT, FLANGE, 6X14(CT200) ...	2	2		



Ref. No.	L.O.N.	(Relative ref. Number) Description	F.R.T.
1	1101A0	BARREL, CYLINDER	4.0
2		(3)	
	1111D1	COVER, BREATHER AND/OR PACKING, BREATHER COVER	0.9
4	1111K9	VALVE, BREATHER	0.9
5	1171A9	VALVE, OIL SHUT-OFF	0.1
6	1161B4	SHAFT, GOVERNOR ARM	1.3
9		(19)	
	6151E8	SWITCH, OIL LEVEL	1.2
10	6151E4	SWITCH, OIL PRESSURE	0.2
16	1101C4	OIL SEAL, GOVERNOR ARM SHAFT ..	1.3
17	1101E4	OIL SEAL, CRANKSHAFT :FRONT ..	3.5
26	1111A9	BEARING, CAMSHAFT	2.0

Ref. No.	Part No.	Description	Reqd. QTY		Serial No.	Parts catalogue code
			GX 670 U	GX 670 R		
1	12000-ZN1-405	BARREL ASSY., CYLINDER	1	-	1037871	BAF,BDW,TAF,TDW,VAB2
	12000-ZN1-406	1	-		BXF9,TWF6
	12000-ZN1-415	1	-	1037871	BXF,BXF5,TXA2,TFX,TXF2,TFX4,TFX5,TFX7,TFX8,TFX9,TXW,VXE1,VXE2,VXE4
	12000-ZN1-416	1	-		BDWN,TDWN
	12000-ZN1-416	1	-	1037872	BAF,BDW,TAF,TDW,VAB2
2	12356-ZJ1-000	COVER, BREATHER	1	1	1037872	BXF,BXF5,TXA2,TFX,TXF2,TFX4,TFX5,TFX7,TFX8,TFX9,TXW,VXE1,VXE2,VXE4
3	12358-ZJ1-000	PACKING, BREATHER COVER	1	1		
4	12372-ZE2-300	VALVE, BREATHER	1	1		
5	15558-ZJ1-003	VALVE, OIL SHUT-OFF	(1)	(1)		
6	16541-ZJ1-840	SHAFT, GOVERNOR ARM	1	1		
7	25523-VD6-010	COLLAR, FILTER SETTING	2	-		BXF,BXF5,BXF9,TWF6,TXA2,TFX,TXF2,TFX4,TFX5,TFX7,TFX8,TFX9,TXW,VXE1,VXE2,VXE4
8	31511-ZJ1-000	CLAMPER, CORD	1	1		
9	35480-ZJ1-841	SWITCH ASSY., OIL LEVEL	1	-		BXF9,TWF6
	35480-ZJ1-842	1	-	1033400	BXF,BXF5,TXA2,TFX,TXF2,TFX4,TFX5,TFX7,TFX8,TFX9,TXW,VXE1,VXE2,VXE4
10	37240-ZG5-004	SWITCH, OIL PRESSURE	1	-	1009573	BAF,TAF,VAB2
	35490-Z6D-003	SWITCH ASSY., OIL PRESSURE ..	1	-	1009574	BAF,TAF,VAB2
			1	-	1011225	TFX7
			-	1		TAF
11	90002-ZG5-004	SCREW-WASHER, 4X8	1	-	1009573	BAF,TAF,VAB2
	90002-ZW2-F01	1	-	1009574	BAF,TAF,VAB2
			1	-	1011225	TFX7
			-	1		TAF
12	90029-888-000	BOLT, FLANGE, 6X16(CT200) ...	2	2		



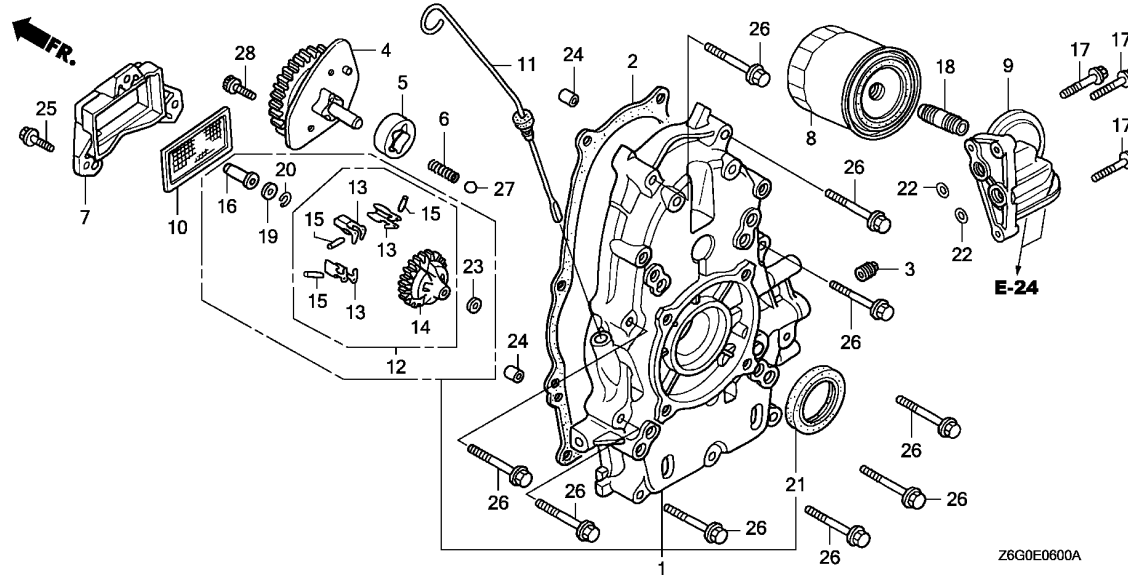


Ref. No.	Part No.	Description	Reqd. QTY		Serial No.	Parts catalogue code
			GX 670 U	GX 670 R		
13	90031-ZE1-000	BOLT, FLANGE, 6X32	2	2		
14	91001-ZJ1-841	BEARING, NEEDLE, 8X12.7X11.1	1	1		
15	91002-ZJ1-841	BEARING, NEEDLE, 8X12X10	1	1		
16	91201-ZE9-003	OIL SEAL, 8X14X5	1	1		
17	91201-ZJ1-841	OIL SEAL, 38X58X9	1	1		
18	91302-MB6-830	O-RING, 13X3.0	1	1		
19	91353-671-004	O-RING, 14MM(NOK)	1	-	-----	BXF,BXF5,BXF9,TWF6,TXA2,TFX,TFX2,TFX4,TFX5,TFX7,TFX8,TFX9,TXW,VXE1 VXE2,VXE4
20	92800-14000	BOLT, DRAIN PLUG, 14MM	2	2		
21	94050-10000	NUT, FLANGE, 10MM	1	-	-----	BXF,BXF5,BXF9,TWF6,TXA2,TFX,TFX2,TFX4,TFX5,TFX7,TFX8,TFX9,TXW,VXE1 VXE2,VXE4
22	94102-08800	WASHER, PLAIN, 8MM	3	3		
23	94109-14000	WASHER, DRAIN PLUG, 14MM	2	2		
24	94251-08000	PIN, LOCK, 8MM	2	2		
25	95701-06075-09	BOLT, FLANGE, 6X75	2	-	-----	BXF,BXF5,BXF9,TWF6,TXA2,TFX,TFX2,TFX4,TFX5,TFX7,TFX8,TFX9,TXW,VXE1 VXE2,VXE4
26	96140-60030-10	BEARING, RADIAL BALL, 6003 ..	1	1		

E-6

CRANKCASE COVER

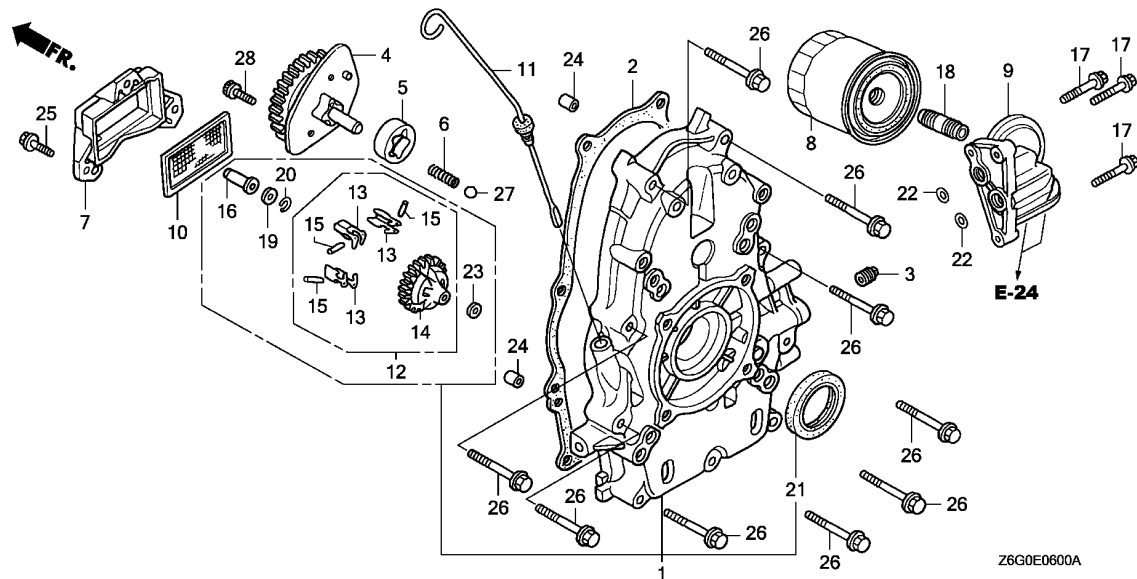
D 5



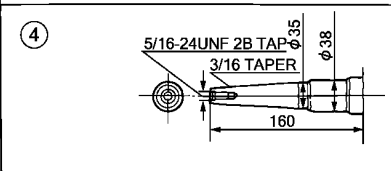
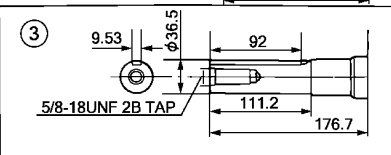
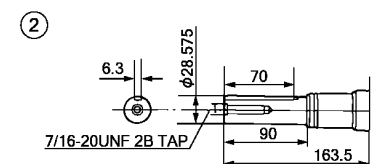
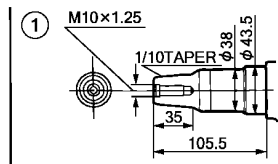
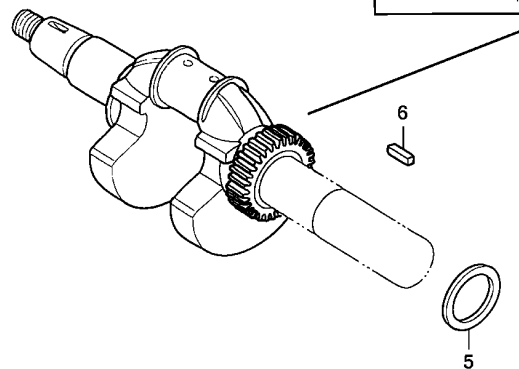
Ref. No.	L.O.N.	(Relative ref. Number) Description	F.R.T.
1	1101F1	COVER, CRANKCASE	1.5
2	1101E9	PACKING, CRANKCASE COVER	0.9
4	1131A2	COVER, OIL PUMP	1.0
5		(6,27)	
	1131B3	ROTOR, OIL PUMP OUTER	1.0
7	1101B5	COVER, OIL FILTER	1.0
8	110175	CARTRIDGE, OIL FILTER	0.2
9		.EXCLUDES: Engine oil-change (22)	
	1101A2	BASE, OIL FILTER	0.3
10	1101D2	SCREEN, OIL FILTER	1.0
14		(13)	
	1161A7	HOLDER, GOVERNOR WEIGHT	1.2
16	1161B6	SLIDER, GOVERNOR	1.2
21	1101E5	OIL SEAL, CRANKSHAFT :REAR ...	1.0

Ref. No.	Part No.	Description	Reqd. QTY		Serial No.	Parts catalogue code
			GX 670 U	GX 670 R		
1	11300-ZJ1-842	COVER ASSY., CRANKCASE	1	-	1008165	BAF,BDW,BXF,BXF5,BXF9,TAF,TDW,TWF6,TXA2,TFX,TFX2,TFX4,TFX5,TFX7,TFX8 TFX9,TXW,VAB2,VXE1,VXE2,VXE4
	11300-ZJ1-843	1	-	1008166	BDWN,TDWN BAF,BDW,BXF,BXF5,BXF9,TAF,TDW,TWF6,TXA2,TFX,TFX2,TFX4,TFX5,TFX7,TFX8 TFX9,TXW,VAB2,VXE1,VXE2,VXE4
2	11381-ZJ1-840	GASKET, CASE COVER	1	1		
3	12105-ZA0-701	BOLT, SEALING	1	1		BDW,BDWN,BXF,BXF5,BXF9,TDW,TDWN,TWF6,TXA2,TFX,TFX2,TFX4,TFX5,TFX8 TFX9,TXW,VXE1,VXE2,VXE4
4	15120-ZJ1-000	COVER ASSY., OIL PUMP (TWO BOLTS)	1	-	1011224	TFX7
	15120-ZJ1-010	COVER ASSY., OIL PUMP (THREE BOLTS)	1	-	1008166	BDWN,TDWN BAF,BDW,BXF,BXF5,BXF9,TAF,TDW,TWF6,TXA2,TFX,TFX2,TFX4,TFX5,TFX7,TFX8 TFX9,TXW,VAB2,VXE1,VXE2,VXE4
5	15124-ZJ1-003	ROTOR, OIL PUMP OUTER	1	1		
6	15232-ZJ1-000	SPRING, RELIEF VALVE	1	1		
7	15348-ZJ1-840	COVER, OIL FILTER	1	1		
8	15400-ZJ1-004	CARTRIDGE, OIL FILTER (TOYO ROKI)	1	1		
9	15411-ZN1-000	BASE, OIL FILTER	1	1		
10	15427-ZJ1-000	SCREEN, OIL FILTER	1	1		
11	15655-ZJ1-861	GAUGE COMP., OIL LEVEL	1	1		
12	16510-ZJ1-840	GOVERNOR ASSY.	1	1		





Ref. No.	Part No.	Description	Reqd. QTY		Serial No.	Parts catalogue code
			GX 670 U	GX 670 R		
13	16511-ZJ1-840	WEIGHT, GOVERNOR	3	3		
14	16512-ZJ1-840	HOLDER, GOVERNOR WEIGHT	1	1		
15	16513-ZE2-000	PIN, GOVERNOR WEIGHT	3	3		
16	16531-Z0A-000	SLIDER, GOVERNOR	1	1		
17	90015-883-000	BOLT, FLANGE, 6X28	3	3		
18	90018-PN3-000	HOLDER, OIL FILTER	1	1		
19	90473-147-000	WASHER, 6X16	1	1		
20	90602-ZE1-000	CLIP, GOVERNOR HOLDER	1	1		
21	91202-ZJ1-841	OIL SEAL, 38X58X9	1	1		
22	91302-ZE9-003	O-RING, 11.8X2.4	2	2		
23	94101-06800	WASHER, PLAIN, 6MM	1	1		
24	94301-08140	DOWEL PIN, 8X14	2	2		
25	95701-06020-00	BOLT, FLANGE, 6X20	3	3		
26	95701-08050-00	BOLT, FLANGE, 8X50	9	9		
27	96211-12000	BALL, STEEL, #12 (3/8)	1	1		
28	96600-06016-00	BOLT, SOCKET, 6X16	2	-	1008165	BAF,BDW,BXF,BXF5,BXF9,TAF,TDW,TWF6,TXA2,TF,TF2,TF4,TF5,TF7,TF8 TF9,TXW,VAB2,VXE1,VXE2,VXE4
			3	-	-----	BDWN,TDWN
			3	-	1008166	BAF,BDW,BXF,BXF5,BXF9,TAF,TDW,TWF6,TXA2,TF,TF2,TF4,TF5,TF7,TF8 TF9,TXW,VAB2,VXE1,VXE2,VXE4
			-	3		

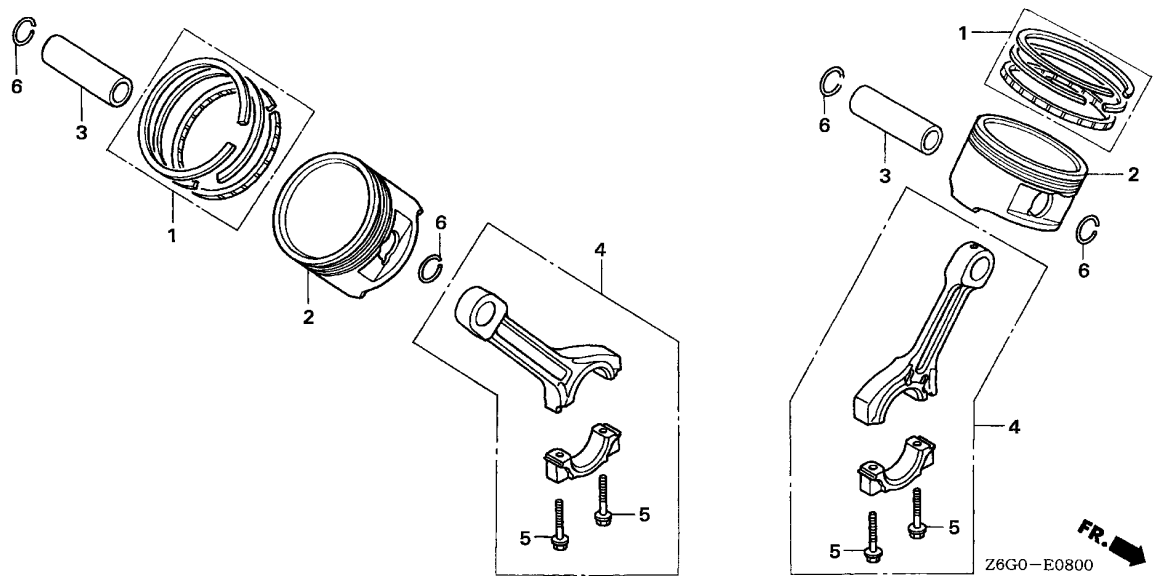


Z6G0E0700A

Ref. No.	L.O.N.	(Relative ref. Number) Description	F.R.T.
1	(2,3,4)	1101F0 CRANKSHAFT	3.4

Ref. No.	Part No.	Description	Reqd. QTY		Serial No.	Parts catalogue code
			GX 670 U	GX 670 R		
1	13310-ZN1-U40	CRANKSHAFT COMP.	1	-	----- VAB2	
2	13310-ZN1-000	CRANKSHAFT COMP.	1	1	----- TAF,TDW,TDWN,TWF6,TXA2,TFX,TFX2,TFX4,TFX5,TFX7,TFX8,TFX9,TXW	
3	13310-ZN1-800	CRANKSHAFT COMP.	1	1	----- BAF,BDW,BDWN,BXF,BXF5,BXF9	
4	13310-ZN1-810	CRANKSHAFT COMP.	1	-	----- VXE1,VXE2,VXE4	
5	90401-ZJ1-000	WASHER, CRANKSHAFT THRUST (38.5X54.0X1.0)	1	1		
6	90745-ZE2-600	KEY, 6.3X6.3X43	1	-	----- TXF4,TFX5,TFX9	



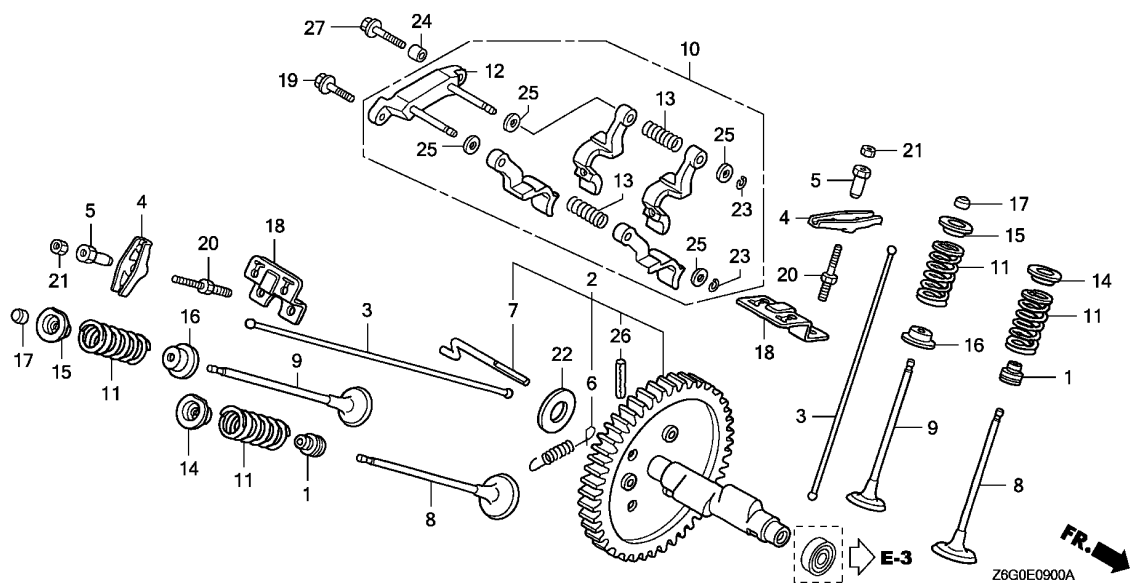


Ref. No.	L.O.N.	(Relative ref. Number) Description	F.R.T.
2	(1,3,4)		
1111R2		PISTON AND/OR RING SET AND/OR BEARING AND/OR ROD (1 CYLINDER) :LEFT BANKINCLUDES: Inspection/Measurement/Cleaning	3.6
1111R3		PISTON AND/OR RING SET AND/OR BEARING AND/OR ROD (1 CYLINDER) :RIGHT BANKINCLUDES: Inspection/Measurement/Cleaning	3.6
1111R4		PISTON AND/OR RING SET AND/OR BEARING AND/OR ROD (ALL CYLINDERS) :BOTH BANKS . .INCLUDES: Inspection/Measurement/Cleaning	3.8

Z6G0-E0800

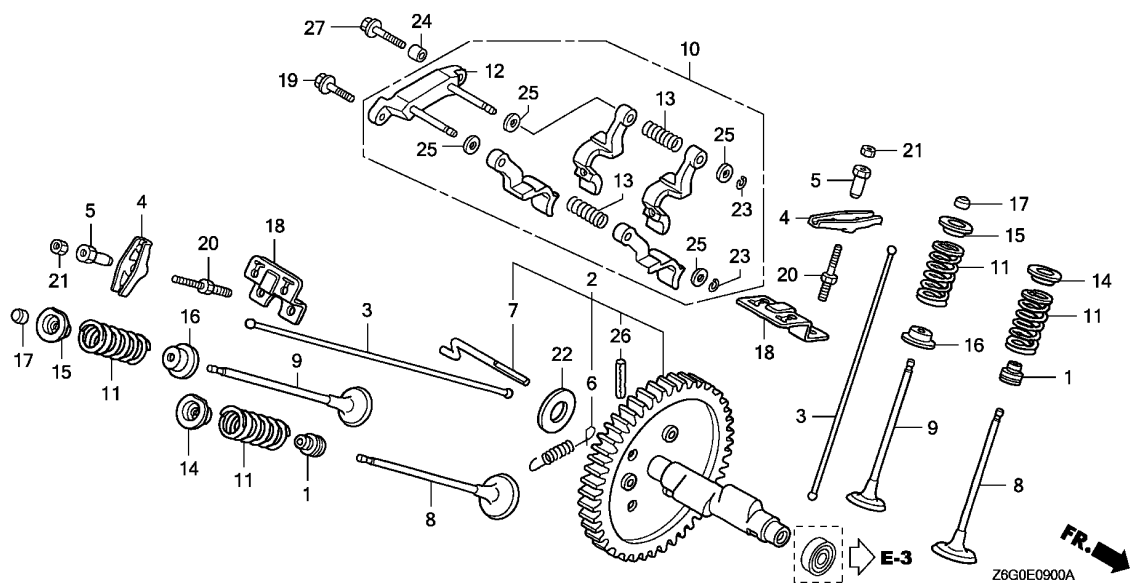
Ref. No.	Part No.	Description	Reqd. QTY		Serial No.	Parts catalogue code
			GX 670 U	GX 670 R		
1	13010-ZJ1-841	RING SET, PISTON (STD.) (NIPPON)	2	-	1037871	BAF,BDW,BXF,BXF5,BXF9,TAF,TDW,TWF6,TXA2,TF,TF2,TF4,TF5,TF7,TF8,TF9,TXW,VAB2,VXE1,VXE2,VXE4
	13011-ZJ1-841	RING SET, PISTON (0.25) (NIPPON)	(2)	-	1037871	BAF,BDW,BXF,BXF5,BXF9,TAF,TDW,TWF6,TXA2,TF,TF2,TF4,TF5,TF7,TF8,TF9,TXW,VAB2,VXE1,VXE2,VXE4
	13012-ZJ1-841	RING SET, PISTON (0.50) (NIPPON)	(2)	-	1037871	BAF,BDW,BXF,BXF5,BXF9,TAF,TDW,TWF6,TXA2,TF,TF2,TF4,TF5,TF7,TF8,TF9,TXW,VAB2,VXE1,VXE2,VXE4
	13013-ZJ1-841	RING SET, PISTON (0.75) (NIPPON)	(2)	-	1037871	BAF,BDW,BXF,BXF5,BXF9,TAF,TDW,TWF6,TXA2,TF,TF2,TF4,TF5,TF7,TF8,TF9,TXW,VAB2,VXE1,VXE2,VXE4
	13010-Z5H-004	RING SET, PISTON (STD.) (TEIKOKU)	2	-	1037872	BDWN,TDWN BAF,BDW,BXF,BXF5,BXF9,TAF,TDW,TWF6,TXA2,TF,TF2,TF4,TF5,TF7,TF8,TF9,TXW,VAB2,VXE1,VXE2,VXE4
	13011-Z5H-004	RING SET, PISTON (0.25) (TEIKOKU)	(2)	-	1037872	BDWN,TDWN BAF,BDW,BXF,BXF5,BXF9,TAF,TDW,TWF6,TXA2,TF,TF2,TF4,TF5,TF7,TF8,TF9,TXW,VAB2,VXE1,VXE2,VXE4
	13012-Z5H-004	RING SET, PISTON (0.50) (TEIKOKU)	(2)	-	1037872	BDWN,TDWN BAF,BDW,BXF,BXF5,BXF9,TAF,TDW,TWF6,TXA2,TF,TF2,TF4,TF5,TF7,TF8,TF9,TXW,VAB2,VXE1,VXE2,VXE4

Ref. No.	Part No.	Description	Reqd. QTY		Serial No.	Parts catalogue code
			GX 670 U	GX 670 R		
(1)	13013-Z5H-004	RING SET, PISTON (0.75) (TEIKOKU)	(2)	-	-----	BDWN, TDWN
			(2)	-	1037872	BAF, BDW, BXF, BXF5, BXF9, TAF, TDW, TWF6, TXA2, TXF, TXF2, TXF4, TXF5, TXF7, TXF8 TXF9, TXW, VAB2, VXE1, VXE2, VXE4
			-	(2)		
2	13101-ZN1-000	PISTON (STD.)	2	-	-----	1037871 BAF, BDW, BXF, BXF5, BXF9, TAF, TDW, TWF6, TXA2, TXF, TXF2, TXF4, TXF5, TXF7, TXF8 TXF9, TXW, VAB2, VXE1, VXE2, VXE4
	13102-ZN1-000	PISTON (0.25)	(2)	-	-----	1037871 BAF, BDW, BXF, BXF5, BXF9, TAF, TDW, TWF6, TXA2, TXF, TXF2, TXF4, TXF5, TXF7, TXF8 TXF9, TXW, VAB2, VXE1, VXE2, VXE4
	13103-ZN1-000	PISTON (0.50)	(2)	-	-----	1037871 BAF, BDW, BXF, BXF5, BXF9, TAF, TDW, TWF6, TXA2, TXF, TXF2, TXF4, TXF5, TXF7, TXF8 TXF9, TXW, VAB2, VXE1, VXE2, VXE4
	13104-ZN1-000	PISTON (0.75)	(2)	-	-----	1037871 BAF, BDW, BXF, BXF5, BXF9, TAF, TDW, TWF6, TXA2, TXF, TXF2, TXF4, TXF5, TXF7, TXF8 TXF9, TXW, VAB2, VXE1, VXE2, VXE4
	13101-ZN1-010	PISTON (STD.)	2	-	-----	BDWN, TDWN
			2	-	1037872	BAF, BDW, BXF, BXF5, BXF9, TAF, TDW, TWF6, TXA2, TXF, TXF2, TXF4, TXF5, TXF7, TXF8 TXF9, TXW, VAB2, VXE1, VXE2, VXE4
			-	2		
	13102-ZN1-010	PISTON (0.25)	(2)	-	-----	BDWN, TDWN
			(2)	-	1037872	BAF, BDW, BXF, BXF5, BXF9, TAF, TDW, TWF6, TXA2, TXF, TXF2, TXF4, TXF5, TXF7, TXF8 TXF9, TXW, VAB2, VXE1, VXE2, VXE4
			-	(2)		
	13103-ZN1-010	PISTON (0.50)	(2)	-	-----	BDWN, TDWN
			(2)	-	1037872	BAF, BDW, BXF, BXF5, BXF9, TAF, TDW, TWF6, TXA2, TXF, TXF2, TXF4, TXF5, TXF7, TXF8 TXF9, TXW, VAB2, VXE1, VXE2, VXE4
			-	(2)		
	13104-ZN1-010	PISTON (0.75)	(2)	-	-----	BDWN, TDWN
			(2)	-	1037872	BAF, BDW, BXF, BXF5, BXF9, TAF, TDW, TWF6, TXA2, TXF, TXF2, TXF4, TXF5, TXF7, TXF8 TXF9, TXW, VAB2, VXE1, VXE2, VXE4
			-	(2)		
3	13111-ZJ1-840	PIN, PISTON	2	2		
4	13200-ZN1-003	ROD ASSY., CONNECTING	2	2		
5	90001-ZN1-000	BOLT, CONNECTING ROD, 6X37 ..	4	4		
6	90551-ZE1-000	CLIP, PISTON PIN, 18MM	4	4		



Ref. No.	L.O.N.	(Relative ref. Number) Description	F.R.T.
1	1111U9	SEAL, INTAKE VALVE STEM(ONE) :LEFT BANK	1.2
		.INCLUDES: Valve clearance adjustment	
	1111U9B	.Replace one head(intake and exhaust all) add	0.1
	1111V0	SEAL, INTAKE VALVE STEM(ONE) :RIGHT BANK	1.2
		.INCLUDES: Valve clearance adjustment	
	1111V0B	.Replace one head(intake and exhaust all) add	0.1
2	1111C2	CAMSHAFT	1.2
3	1111X5	ROD, PUSH(ONE) :LEFT BANK INTAKE	0.3
		.INCLUDES: Valve clearance adjustment	
	1111X5B	.Replace one head(intake and exhaust all) add	0.1
	1111X5C	.Replace both heads (intake and exhaust all) add	0.3
	1111X6	ROD, PUSH(ONE) :RIGHT BANK INTAKE	0.3
		.INCLUDES: Valve clearance adjustment	

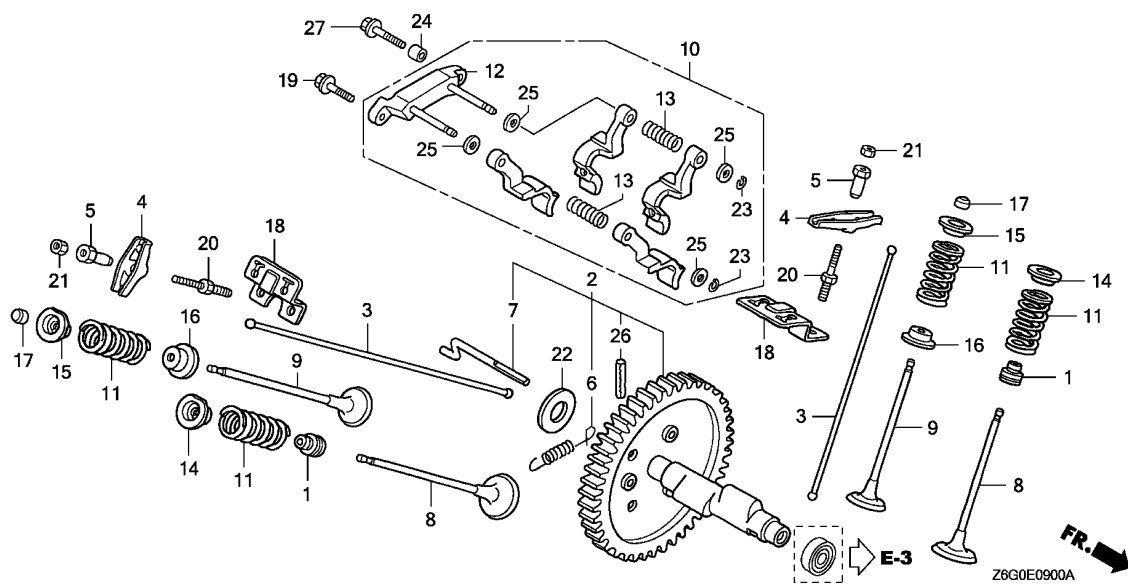
Ref. No.	Part No.	Description	Reqd. QTY		Serial No.	Parts catalogue code
			GX 670 U	GX 670 R		
1	12209-ZE8-003	SEAL, VALVE STEM	2	2		
2	14100-ZJ1-842	CAMSHAFT ASSY.	1	-	----- BAF,BDW,BDWN,BXF,BXF5,BXF9,TAF,TDW,TDWN,TWF6,TXA2,TFX,TFX2,TFX4,TFX5 TFX7,TFX8,TFX9,TXW,VXE1,VXE2,VXE4	
			1	-	----- 1013056 VAB2	
	14100-Z6D-V40	1	-	----- 1013057 VAB2	
3	14410-ZJ1-840	ROD, PUSH	4	4		
4	14431-ZE2-010	ARM, VALVE ROCKER	4	4		
5	14451-ZE1-013	PIVOT, ROCKER ARM	4	4		
6	14568-ZJ1-841	SPRING, WEIGHT RETURN	1	-	----- BAF,BDW,BDWN,BXF,BXF5,BXF9,TAF,TDW,TDWN,TWF6,TXA2,TFX,TFX2,TFX4,TFX5 TFX7,TFX8,TFX9,TXW,VXE1,VXE2,VXE4	
			1	-	----- 1013056 VAB2	
	14568-Z6D-V40	1	-	----- 1013057 VAB2	
7	14576-ZJ1-840	PIN, DECOMPER	1	1		
8	14711-ZE3-000	VALVE, IN.	2	2		
9	14721-ZE3-000	VALVE, EX.	2	2		
10	14730-ZJ1-841	LIFTER ASSY., VALVE	1	-	----- BXF9,TWF6	
			1	-	----- 1037805 BAF,BDW,BXF,BXF5,TAF,TDW,TXA2,TFX,TFX2,TFX4,TFX5,TFX7,TFX8,TFX9,TXW VAB2,VXE1,VXE2,VXE4	
	14730-ZJ1-842	1	-	----- BDWN,TDWN	
			1	-	----- 1037806 BAF,BDW,BXF,BXF5,TAF,TDW,TXA2,TFX,TFX2,TFX4,TFX5,TFX7,TFX8,TFX9,TXW VAB2,VXE1,VXE2,VXE4	
			-	1		
11	14751-ZE2-003	SPRING, VALVE	4	4		
12	14760-ZJ1-840	SHAFT COMP., VALVE LIFTER ...	1	1		
13	14764-ZJ1-840	SPRING, VALVE LIFTER	2	2		



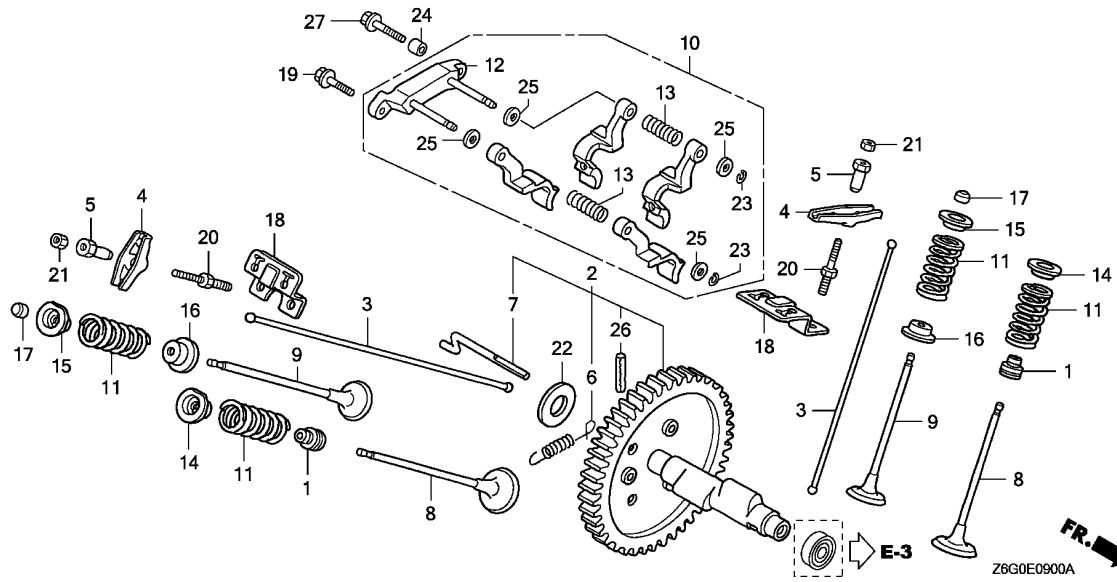
Ref. No.	L.O.N.	(Relative ref. Number) Description	F.R.T.
+ 3	1111X6B	.Replace one head(intake and exhaust all) add	0.1
	1111X6C	.Replace both heads (intake and exhaust all) add	0.3
	1111X7	ROD, PUSH(ONE) :LEFT BANK EXHAUST	0.3
		.INCLUDES: Valve clearance adjustment	
	1111X7B	.Replace one head(intake and exhaust all) add	0.1
	1111X7C	.Replace both heads (intake and exhaust all) add	0.3
	1111X8	ROD, PUSH(ONE) :RIGHT BANK EXHAUST	0.3
		.INCLUDES: Valve clearance adjustment	
	1111X8B	.Replace one head(intake and exhaust all) add	0.1
	1111X8C	.Replace both heads (intake and exhaust all) add	0.3
4	1111T1	ARM, ROCKER :LEFT BANK INTAKE .INCLUDES: Valve clearance adjustment	0.3
	1111T1A	.Replace left bank exhaust rocker arm add	0.1

Ref. No.	Part No.	Description	Reqd. QTY		Serial No.	Parts catalogue code
			GX 670 U	GX 670 R		
14	14771-ZE2-000	RETAINER, IN. VALVE SPRING ..	2	2		
15	14773-ZE2-000	RETAINER, EX. VALVE SPRING ..	2	2		
16	14775-ZE2-010	SEAT, VALVE SPRING	2	2		
17	14781-ZE2-000	ROTATOR, VALVE	2	2		
18	14791-ZE2-010	PLATE, PUSH ROD GUIDE	2	2		
19	90005-896-000	BOLT, FLANGE, 5X16	1	1		
20	90012-ZE0-010	BOLT, PIVOT, 8MM	4	4		
21	90206-ZE1-000	NUT, PIVOT ADJUSTING	4	4		
22	90446-357-000	WASHER, THRUST, 17.2MM	1	1		
23	90602-ZE1-000	CLIP, GOVERNOR HOLDER	2	2		
24	90702-GB6-910	DOWEL PIN, 8X12	1	1		
25	94101-06800	WASHER, PLAIN, 6MM	4	4		
26	94305-60282	PIN, SPRING, 6X28	1	1		
27	95701-06025-00	BOLT, FLANGE, 6X25	1	1		



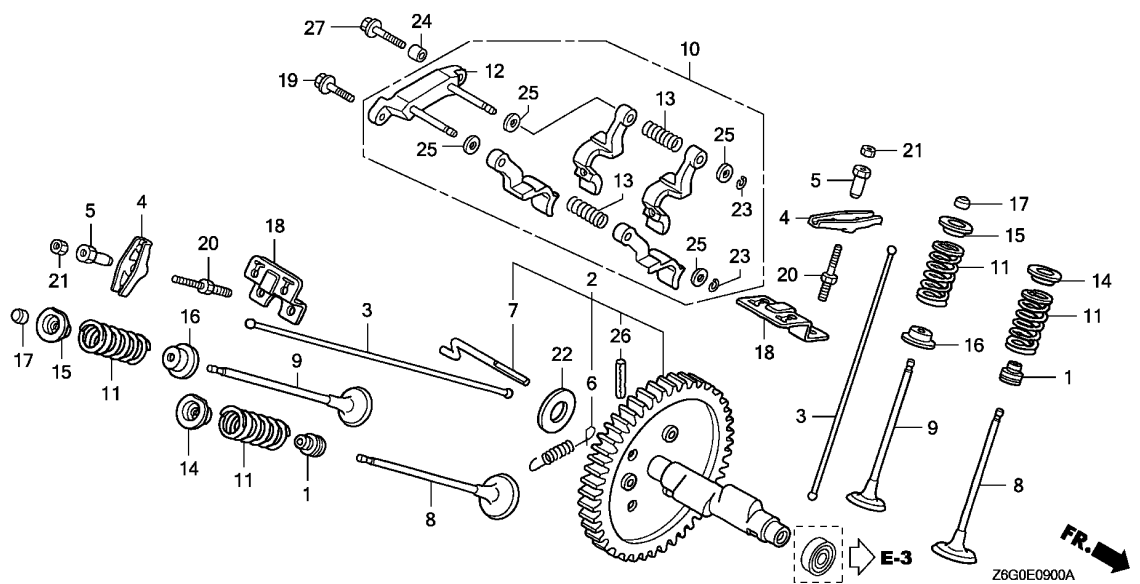


Ref. No.	L.O.N.	(Relative ref. Number) Description	F.R.T.
+ 4	1111T1B	.Replace both heads (intake and exhaust all) add	0.3
	1111U3	ARM, ROCKER :LEFT BANK EXHAUST .INCLUDES: Valve clearance adjustment	0.3
	1111U3A	.Replace left bank intake rocker arm add	0.1
	1111U3B	.Replace both heads (intake and exhaust all) add	0.3
	1111T2	ARM, ROCKER :RIGHT BANK INTAKE .INCLUDES: Valve clearance adjustment	0.3
	1111T2A	.Replace right bank exhaust rocker arm add	0.1
	1111T2B	.Replace both heads (intake and exhaust all) add	0.3
	1111U4	ARM, ROCKER :RIGHT BANK EXHAUST	0.3
		.INCLUDES: Valve clearance adjustment	
	1111U4A	.Replace right bank intake rocker arm add	0.1
	1111U4B	.Replace both heads (intake and exhaust all) add	0.3
+ 8	1111T9	VALVE, INTAKE(ONE) :LEFT BANK	1.3



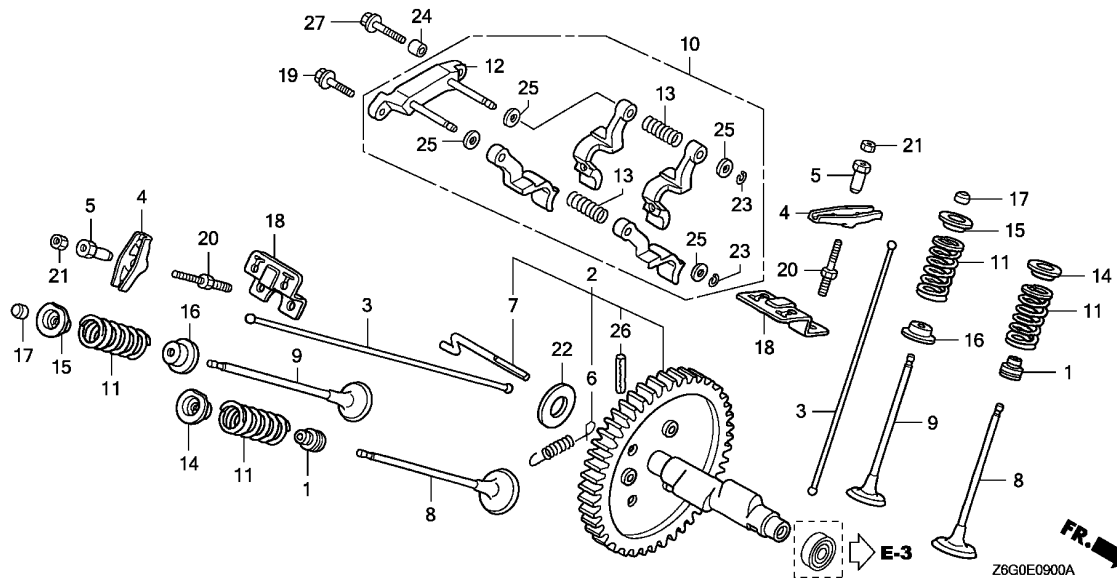
Ref. No.	L.O.N.	(Relative ref. Number) Description	F.R.T.
+ 8		.INCLUDES: Valve clearance adjustment and reface	
1111T9B		.Replace one head(intake and exhaust all) add	0.1
1111U1		VALVE, INTAKE(ONE) :RIGHT BANK .INCLUDES: Valve clearance adjustment and reface	1.3
1111U1B		.Replace one head(intake and exhaust all) add	0.1
9 1111U0		VALVE, EXHAUST(ONE) :LEFT BANK .INCLUDES: Valve clearance adjustment and reface	1.3
1111U0B		.Replace one head(intake and exhaust all) add	0.1
1111U2		VALVE, EXHAUST(ONE) :RIGHT BANK	1.3
1111U2B		.INCLUDES: Valve clearance adjustment and reface .Replace one head(intake and exhaust all) add	0.1
10 1111F7		LIFTER, VALVE	0.4
11 1111V9		SPRING, VALVE(ONE) :INTAKE LEFT BANK	1.2
+		.INCLUDES: Valve clearance adjustment	





Ref. No.	L.O.N.	(Relative ref. Number) Description	F.R.T.
+11	1111V9A	.Replace one head(intake and exhaust all) add	0.1
	1111W0	SPRING, VALVE(ONE) :INTAKE RIGHT BANK	1.2
		.INCLUDES: Valve clearance adjustment	
	1111W0A	.Replace one head(intake and exhaust all) add	0.1
	1111W1	SPRING, VALVE(ONE) :EXHAUST LEFT BANK	1.2
		.INCLUDES: Valve clearance adjustment	
	1111W1A	.Replace one head(intake and exhaust all) add	0.1
	1111W2	SPRING, VALVE(ONE) :EXHAUST RIGHT BANK	1.2
		.INCLUDES: Valve clearance adjustment	
	1111W2A	.Replace one head(intake and exhaust all) add	0.1
12	1111P2	SHAFT, VALVE LIFTER	0.4
17	1111X9	ROTATOR, VALVE :LEFT BANK	0.3
		.INCLUDES: Valve clearance adjustment	
+	1111Y1	ROTATOR, VALVE :RIGHT BANK ...	0.3

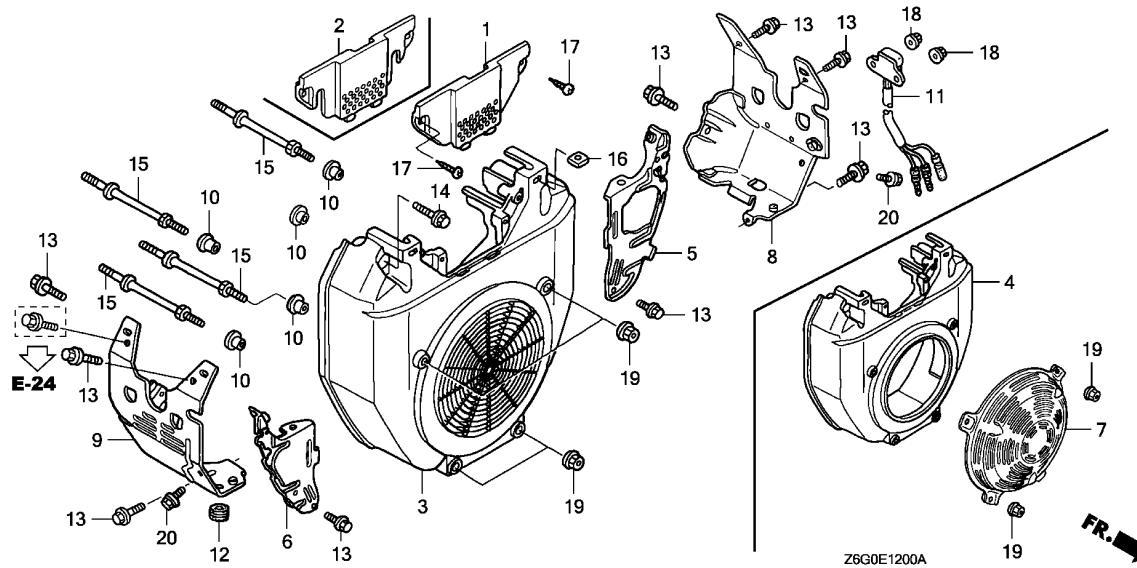
2



Ref. No.	L.O.N.	(Relative ref. Number) Description	F.R.T.
----------	--------	------------------------------------	--------

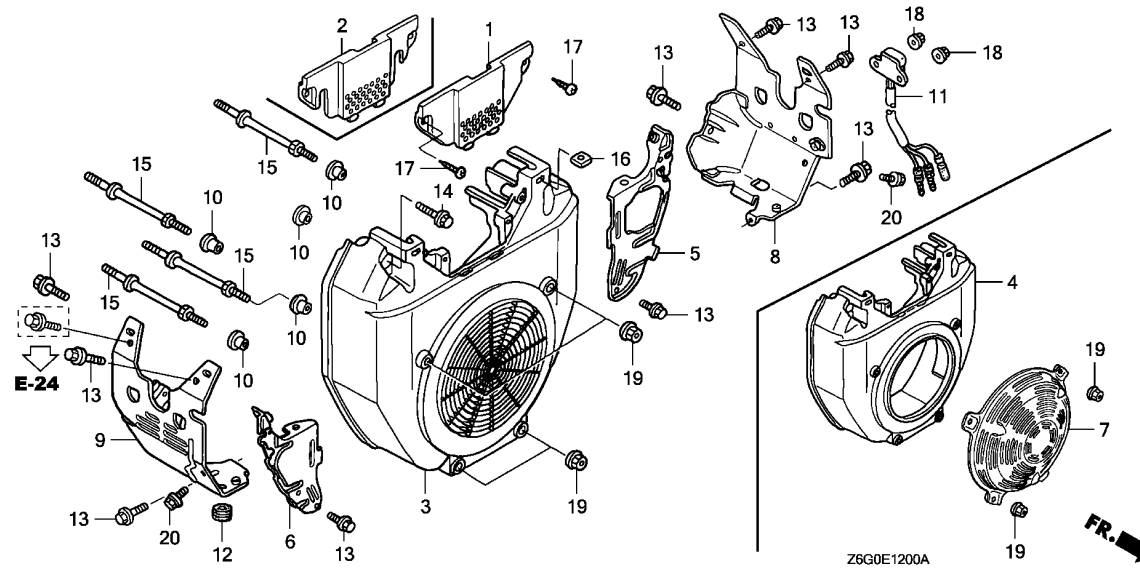
+17		.INCLUDES: Valve clearance adjustment	
-----	--	---------------------------------------	--





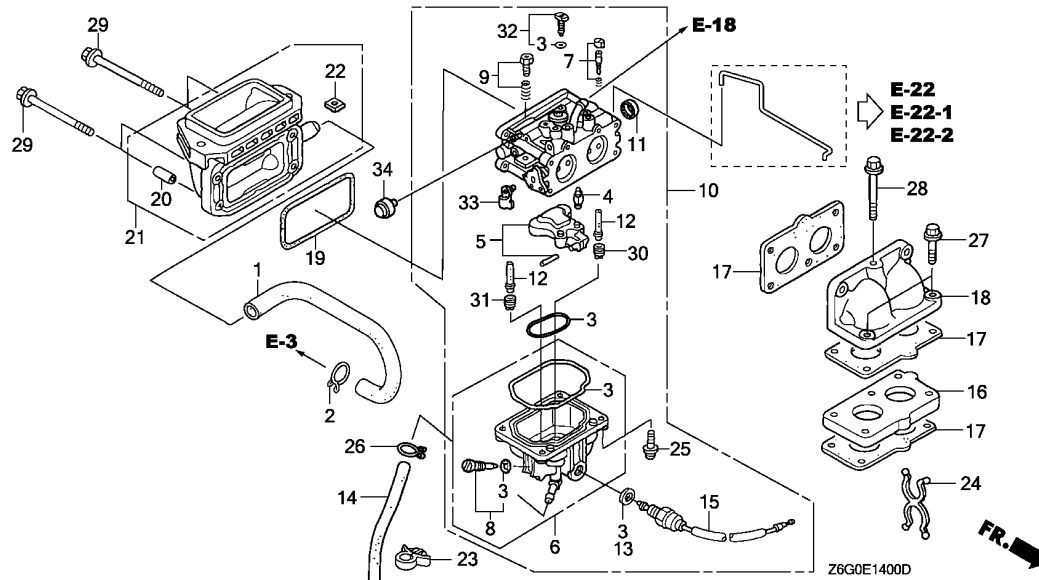
Ref. No.	L.O.N.	(Relative ref. Number) Description	F.R.T.
1	(2)	COVER, FUEL PUMP	0.1
3	(4)	COVER, ENGINE COOLING FAN	0.3
5	1121A5	PLATE, SIDE :LEFT	0.8
6	1121A6	PLATE, SIDE :RIGHT	0.8
8	4141D9	SHROUD, ENGINE :LEFT	0.7
9	4141E1	SHROUD, ENGINE :RIGHT	0.7
11	6151A0	ALERT UNIT, ENGINE OIL	0.2

Ref. No.	Part No.	Description	Reqd. QTY		Serial No.	Parts catalogue code
			GX 670 U	GX 670 R		
1	16715-ZJ1-840	COVER, FUEL PUMP	1	1	-----	BDW,BDWN,BXF9,TDW,TDWN,TFX9,VAB2
2	16715-ZJ1-850	COVER, FUEL PUMP (MANUAL CONTROL)	1	1	-----	BAF,BXF,TAF,TWF6,TXA2,TFX,TFX2,TFX4,TFX7,TFX8,TXW
	16715-ZJ1-860	COVER, FUEL PUMP (MANUAL CHOKE)	1	-	-----	BXF5,TFX5,VXE1,VXE2,VXE4
3	19611-ZJ1-840ZA	COVER, FAN *NH1*.....BLACK	1	-	-----	BAF,BDW,BDWN,BXF,TAF,TDW,TDWN,TXA2,TFX,TFX9,VXE1,VXE2
	19611-ZJ1-840ZC	*R280*.....POWER RED	1	-	-----	BAF,BDW,BDWN,BXF,BXF5,BXF9,TAF,TDW,TDWN,TWF6,TXA2,TFX,TFX2,TFX4,TFX5,TFX7,TFX8,TFX9,TXW,VXE1,VXE2,VXE4
4	19611-ZJ1-850ZA	COVER, FAN (RECOIL STARTER) *NH1*.....BLACK	1	-	-----	VAB2
	19611-ZJ1-850ZC	*R280*.....POWER RED	1	-	-----	VAB2
5	19612-ZJ1-841	PLATE, SIDE (L. SIDE)	1	1	-----	
6	19614-ZJ1-841	PLATE, SIDE (R. SIDE)	1	1	-----	
7	19621-ZJ1-801ZA	PROTECTOR, FAN COVER *NH1*.....BLACK	1	-	-----	VAB2
	19621-ZJ1-801ZC	*R280*.....POWER RED	1	-	-----	VAB2
8	19631-ZJ1-840	SHROUD (L. SIDE)	1	-	-----	BAF,BDW,BDWN,TAF,TDW,TDWN,VAB2
	19631-ZJ1-850	SHROUD (OIL ALERT) (L. SIDE)	1	-	-----	BXF,BXF5,BXF9,TWF6,TXA2,TFX,TFX2,TFX4,TFX5,TFX7,TFX8,TFX9,TXW,VXE1,VXE2,VXE4



Ref. No.	Part No.	Description	Reqd. QTY		Serial No.	Parts catalogue code
			GX 670 U	GX 670 R		
9	19632-ZN1-010	SHROUD (R. SIDE)	1	1		
10	33713-GC2-000	COLLAR B, TAILLIGHT	6	6		
11	34150-ZJ1-842	ALERT UNIT, OIL	1	-	----- BXF9,TWF6	
	34150-ZJ1-843		1	-	----- 1032350 BXF,BXF5,TA2,TF,TF2,TF4,TF5,TF7,TF8,TF9,TXW,VXE1,VXE2,VXE4	
12	80101-310-000	RUBBER, RR. FENDER CUSHION	1	1	----- 1032351 BXF,BXF5,TA2,TF,TF2,TF4,TF5,TF7,TF8,TF9,TXW,VXE1,VXE2,VXE4	
13	90013-883-000	BOLT, FLANGE, 6X12(CT200)	9	9		
14	90018-ZE1-000	BOLT, FLANGE, 6X23(CT200)	2	2		
15	90042-ZJ1-840	BOLT, STUD, 6X71	4	4		
16	90313-ZJ1-840	NUT, SQUARE, 5MM	2	-	----- BAF,BDW,BDWN,BXF,BXF5,BXF9,TAF,TDW,TDWN,TWF6,TF,TF2,TF4,TF5,TF7,TF8,TF9,TXW,VAB2,VXE1,VXE2,VXE4	
17	93913-25580	SCREW, TAPPING, 5X20	-	2		
18	94050-05000	NUT, FLANGE, 5MM	2	-	----- BXF,BXF5,BXF9,TWF6,TA2,TF,TF2,TF4,TF5,TF7,TF8,TF9,TXW,VXE1,VXE2,VXE4	
19	94050-06000	NUT, FLANGE, 6MM	4	4		
20	95701-06008-00	BOLT, FLANGE, 6X8	2	2		



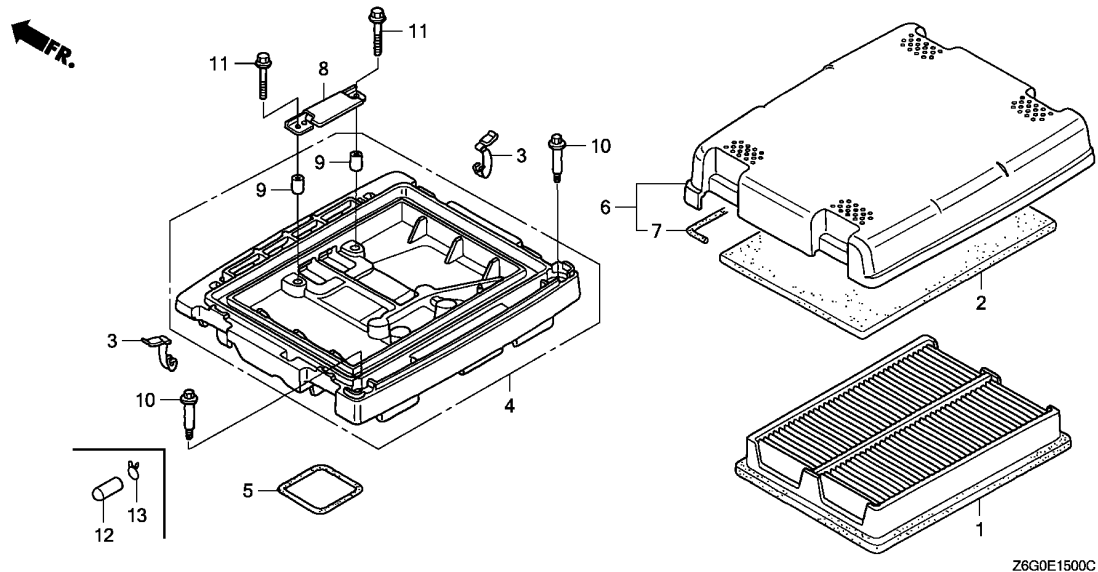


Ref. No.	L.O.N.	(Relative ref. Number) Description	F.R.T.
1	1111K5	TUBE, BREATHER	0.3
3	3111B1	GASKET SET, CARBURETOR	0.8
4		(5)	
	3111E1	VALVE SET, FLOAT AND/OR FLOAT SET	0.7
6	3111A3	CHAMBER SET, FLOAT AND/OR GASKET, FLOAT CHAMBER	0.8
7	3111D7	SCREW SET, PILOT	0.3
10	3111F3	CARBURETOR	0.4
14	3111H8	TUBE, FLOAT CHAMBER	0.5
15	6211C0	VALVE, CARBURETOR SOLENOID ...	0.4
16	3111C0	INSULATOR, CARBURETOR AND/OR PACKING, INSULATOR	0.4
17	3111C8	PACKING, CARBURETOR	0.4
		.NOTE: Same time for two units or more	
18	3111B0	ELBOW, MANIFOLD	0.4
19	3121D9	PACKING, AIR CLEANER	0.4
21	3121B4	ELBOW, AIR CLEANER	0.4
30	3111C3	JET, MAIN	0.7

Ref. No.	Part No.	Description	Reqd. QTY		Serial No.	Parts catalogue code
			GX 670 U	GX 670 R		
1	12357-ZJ1-840	TUBE, BREATHER	1	1		
2	15772-551-000	CLIP, BREATHER TUBE	1	1		
3	16010-ZN1-801	GASKET SET	1	1		
4	16011-ZN1-801	VALVE SET, FLOAT	1	1		
5	16013-ZN1-801	FLOAT SET	1	1		
6	16015-ZN1-801	CHAMBER SET, FLOAT	1	1		
7	16016-ZN1-801	SCREW SET, PILOT	2	2		
8	16024-124-760	SCREW SET, DRAIN	1	1		
9	16028-ZN1-801	SCREW SET, THROTTLE	1	1		
10	16100-ZN1-U41	CARBURETOR ASSY. (BK01G A) ..	1	-	1031200 VAB2	
	16100-ZN1-801	CARBURETOR ASSY. (BK01A A) ..	1	-	1018656 BAF,BDW,BXF,BXF5,BXF9,TAF,TDW,TWF6,TFX,TFX2,TFX4,TFX5,TFX7,TFX8,TFX9 TXW	
	16100-ZN1-812	CARBURETOR ASSY. (BK01B B) ..	1	-	1018712 VXE1,VXE2,VXE4	
	16100-ZN1-821	CARBURETOR ASSY. (BK01D A) ..	1	-	1019051 TXA2	
	16100-ZN1-U42	CARBURETOR ASSY. (BK01G B) ..	1	-	1031201 ----- VAB2	
	16100-ZN1-802	CARBURETOR ASSY. (BK01A B) ..	1	-	1018657 ----- BDWN,TDWN BAF,BDW,BXF,BXF5,BXF9,TAF,TDW,TWF6,TFX,TFX2,TFX4,TFX5,TFX7,TFX8,TFX9 TXW	
	16100-ZN1-813	CARBURETOR ASSY. (BK01B C/D) ..	1	-	1018713 ----- VXE1,VXE2,VXE4	
	16100-ZN1-822	CARBURETOR ASSY. (BK01D B) ..	1	-	1019052 ----- TXA2	
11	16148-141-881	CAP, CHOKE DUST	1	1		
12	16166-ZN1-801	NOZZLE, MAIN	2	2		
13	16178-ZN1-801	WASHER, PLAIN	1	1		
14	16198-ZJ1-840	TUBE, DRAIN	1	1		
15	16200-ZN1-801	VALVE ASSY., SOLENOID (KEIHIN)	1	1		

Ref. No.	Part No.	Description	Reqd. QTY		Serial No.	Parts catalogue code
			GX 670 U	GX 670 R		
16	16211-ZN1-000	INSULATOR, CARBURETOR	1	1		
17	16221-ZN1-000	PACKING, CARBURETOR	3	3		
18	17103-ZN1-010	ELBOW, MANIFOLD	1	1		
19	17228-ZN1-000	PACKING, AIR CLEANER	1	1		
20	17238-ZJ4-830	COLLAR A, AIR CLEANER	4	4		
21	17410-ZN1-000	ELBOW COMP., AIR CLEANER	1	1		
22	90314-ZJ1-840	NUT, INSERT, 6MM	2	2		
23	90682-959-661	CLIP B, CABLE (9MM BLACK) ...	1	1		
24	91402-ZJ1-841	CLIP, PURSE LOCK	1	1		
25	93500-04012-1H	SCREW, PAN, 4X12	4	4		
26	95002-02080	CLIP, TUBE (B8)	1	1		
27	95701-06030-00	BOLT, FLANGE, 6X30	2	2		
28	95701-06065-00	BOLT, FLANGE, 6X65	1	1		
29	95801-06090-08	BOLT, FLANGE, 6X90	4	4		
30	99101-ZH8-0850	JET, MAIN, #85	(1)	-	----- TXA2	
	99101-ZH8-0880	JET, MAIN, #88	(1)	-	----- VAB2	
	99101-ZH8-0900	JET, MAIN, #90	(1)	-	----- BAF,BDW,BDWN,BXF,BXF5,BXF9,TAF,TDW,TDWN,TWF6,TXA2,TXF,TXF2,TXF4,TXF5,TXF7,TXF8,TXF9,TXW,VXE1,VXE2,VXE4	
			-	(1)		
	99101-ZH8-0920	JET, MAIN, #92	(1)	-	----- VAB2	
	99101-ZH8-0950	JET, MAIN, #95	1	-	----- TXA2	
			(1)	-	----- BAF,BDW,BDWN,BXF,BXF5,BXF9,TAF,TDW,TDWN,TWF6,TXF,TXF2,TXF4,TXF5,TXF7,TXF8,TXF9,TXW,VXE1,VXE2,VXE4	
			-	(1)		
	99101-ZH8-0980	JET, MAIN, #98	1	-	----- VAB2	
	99101-ZH8-1000	JET, MAIN, #100	1	-	----- BAF,BDW,BDWN,BXF,BXF5,BXF9,TAF,TDW,TDWN,TWF6,TXF,TXF2,TXF4,TXF5,TXF7,TXF8,TXF9,TXW,VXE1,VXE2,VXE4	
			-	1		
31	99101-ZH8-0880	JET, MAIN, #88	(1)	-	----- TXA2	
	99101-ZH8-0900	JET, MAIN, #90	(1)	-	----- BAF,BDW,BDWN,BXF,BXF5,BXF9,TAF,TDW,TDWN,TWF6,TXF,TXF2,TXF4,TXF5,TXF7,TXF8,TXF9,TXW,VXE1,VXE2,VXE4	
			-	(1)		
	99101-ZH8-0920	JET, MAIN, #92	(1)	-	----- TXA2,VAB2	
	99101-ZH8-0950	JET, MAIN, #95	(1)	-	----- BAF,BDW,BDWN,BXF,BXF5,BXF9,TAF,TDW,TDWN,TWF6,TXF,TXF2,TXF4,TXF5,TXF7,TXF8,TXF9,TXW,VXE1,VXE2,VXE4	
			-	(1)		
	99101-ZH8-0980	JET, MAIN, #98	1	-	----- TXA2	
			(1)	-	----- VAB2	
	99101-ZH8-1000	JET, MAIN, #100	1	-	----- BAF,BDW,BDWN,BXF,BXF5,BXF9,TAF,TDW,TDWN,TWF6,TXF,TXF2,TXF4,TXF5,TXF7,TXF8,TXF9,TXW,VXE1,VXE2,VXE4	
			-	1		
	99101-ZH8-1020	JET, MAIN, #102	1	-	----- VAB2	
32	99204-ZE2-0380	JET SET, PILOT, #38	2	-	----- TXA2,VAB2	
	99204-ZE2-0400	JET SET, PILOT, #40	2	-	----- BAF,BDW,BDWN,BXF,BXF5,BXF9,TAF,TDW,TDWN,TWF6,TXF,TXF2,TXF4,TXF5,TXF7,TXF8,TXF9,TXW,VXE1,VXE2,VXE4	
			-	2		
33	16126-ZJ1-841	ARM, THROTTLE LINKAGE	1	1		
34	16140-ZN1-004	FILTER ASSY., AIR VENT	(1)	-	----- BDWN,TDWN	
			(1)	-	1018657 ----- BAF,BDW,BXF,BXF5,BXF9,TAF,TDW,TWF6,TXF,TXF2,TXF4,TXF5,TXF7,TXF8,TXF9,TXW	
			(1)	-	1018713 ----- VXE1,VXE2,VXE4	
			(1)	-	1019052 ----- TXA2	
			(1)	-	1031201 ----- VAB2	
			-	(1)		

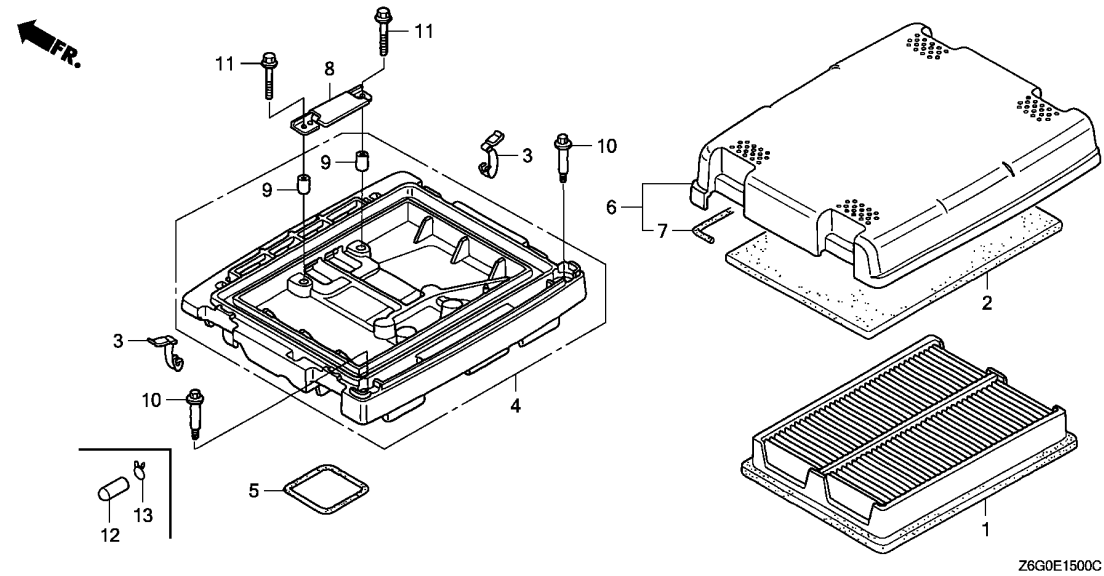




Ref. No.	L.O.N.	(Relative ref. Number) Description	F.R.T.
1	3121B8	ELEMENT, AIR CLEANER	0.1
2	3121C1	FILTER, OUTER	0.1
4	3121A5	CASE, AIR CLEANER	0.2
5	3121E8	SEAL, AIR CLEANER CASE	0.2
6	3121B1	COVER, AIR CLEANER	0.1
7	3121E9	SEAL, AIR CLEANER COVER	0.1
8	3121K3	PLATE, AIR CLEANER SETTING ...	0.1

2

Ref. No.	Part No.	Description	Reqd. QTY		Serial No.	Parts catalogue code
			GX 670 U	GX 670 R		
1	17210-ZJ1-842	ELEMENT COMP., AIR CLEANER ..	1	-	-----	BAF,BDW,BDWN,BXF,BXF5,BXF9,TAF,TDW,TDWN,TWF6,TFX,TFX2,TFX4,TFX5,TFX7,TFX8,TFX9,TXW,VXE1,VXE2,VXE4
2	17218-ZJ1-840	FILTER, OUTER	1	-	-----	BAF,BDW,BDWN,BXF,BXF5,BXF9,TAF,TDW,TDWN,TWF6,TFX,TFX2,TFX4,TFX5,TFX7,TFX8,TFX9,TXW,VXE1,VXE2,VXE4
3	17219-ZJ1-840	CLIP, AIR CLEANER	4	-	-----	BAF,BDW,BDWN,BXF,BXF5,BXF9,TAF,TDW,TDWN,TWF6,TFX,TFX2,TFX4,TFX5,TFX7,TFX8,TFX9,TXW,VXE1,VXE2,VXE4
4	17220-ZN1-000	CASE COMP., AIR CLEANER	1	-	-----	BAF,BDW,BXF,BXF5,BXF9,TAF,TDW,TWF6,TFX,TFX2,TFX4,TFX5,TFX7,TFX8,TFX9,TFXW,VXE1,VXE2,VXE4
	17220-Z6G-000	1	-	-----	BDWN,TDWN
5	17229-ZN1-000	SEAL, AIR CLEANER CASE	1	-	-----	BAF,BDW,BDWN,BXF,BXF5,BXF9,TAF,TDW,TDWN,TWF6,TFX,TFX2,TFX4,TFX5,TFX7,TFX8,TFX9,TXW,VXE1,VXE2,VXE4
6	17230-ZJ1-840	COVER ASSY., AIR CLEANER	1	-	-----	BAF,BDW,BDWN,BXF,BXF5,BXF9,TAF,TDW,TDWN,TWF6,TFX,TFX2,TFX4,TFX5,TFX7,TFX8,TFX9,TXW,VXE1,VXE2,VXE4
7	17233-ZJ1-840	SEAL, AIR CLEANER COVER	1	-	-----	BAF,BDW,BDWN,BXF,BXF5,BXF9,TAF,TDW,TDWN,TWF6,TFX,TFX2,TFX4,TFX5,TFX7,TFX8,TFX9,TXW,VXE1,VXE2,VXE4
8	17234-ZJ1-840	PLATE, AIR CLEANER SETTING ..	1	-	-----	BAF,BDW,BDWN,BXF,BXF5,BXF9,TAF,TDW,TDWN,TWF6,TFX,TFX2,TFX4,TFX5,TFX7,TFX8,TFX9,TXW,VXE1,VXE2,VXE4
9	17238-ZJ4-830	COLLAR A, AIR CLEANER	2	-	-----	BAF,BDW,BDWN,BXF,BXF5,BXF9,TAF,TDW,TDWN,TWF6,TFX,TFX2,TFX4,TFX5,TFX7,TFX8,TFX9,TXW,VXE1,VXE2,VXE4



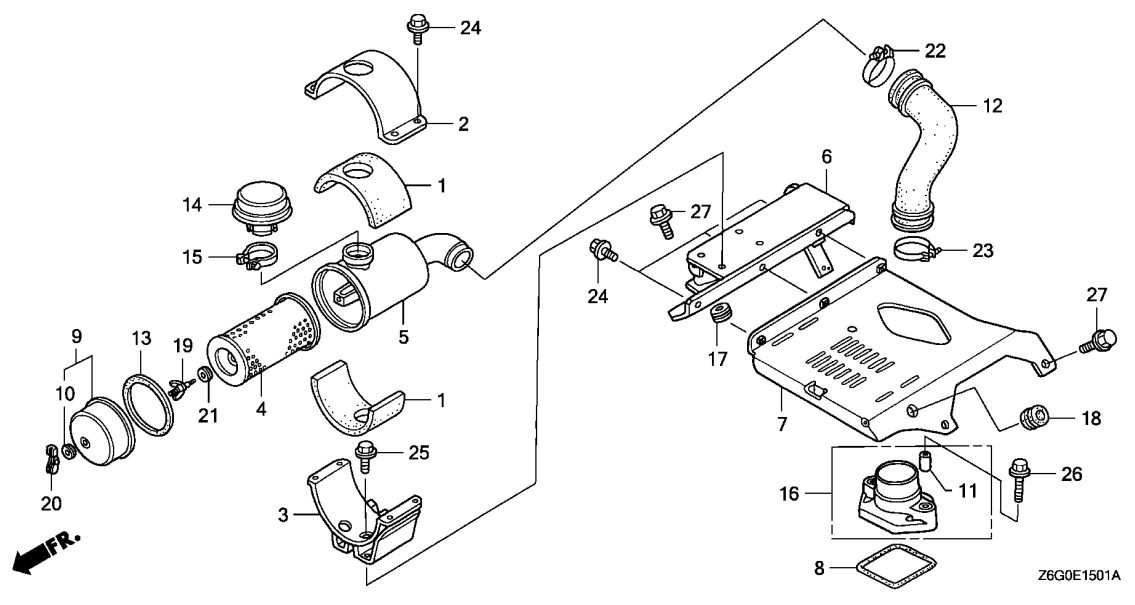
Ref. No.	Part No.	Description	Reqd. QTY		Serial No.	Parts catalogue code
			GX 670 U	GX 670 R		
10	90003-ZJ1-840	BOLT, SPECIAL, 5MM	2	-	-----	BAF,BDW,BDWN,BXF,BXF5,BXF9,TAF,TDW,TDWN,TWF6,TFX,TFX2,TFX4,TFX5,TFX7,TFX8,TFX9,TXW,VXE1,VXE2,VXE4
11	95701-06028-00	BOLT, FLANGE, 6X28	2	-	-----	BAF,BDW,BDWN,BXF,BXF5,BXF9,TAF,TDW,TDWN,TWF6,TFX,TFX2,TFX4,TFX5,TFX7,TFX8,TFX9,TXW,VXE1,VXE2,VXE4
12	90634-ZL8-H00	CAP, SEALING	-	2	-----	BDWN,TDWN
13	95002-02100	CLIP, TUBE (B10)	-	1	-----	BDWN,TDWN
			-	1	-----	



E-15-1

AIR CLEANER(SNORKEL)

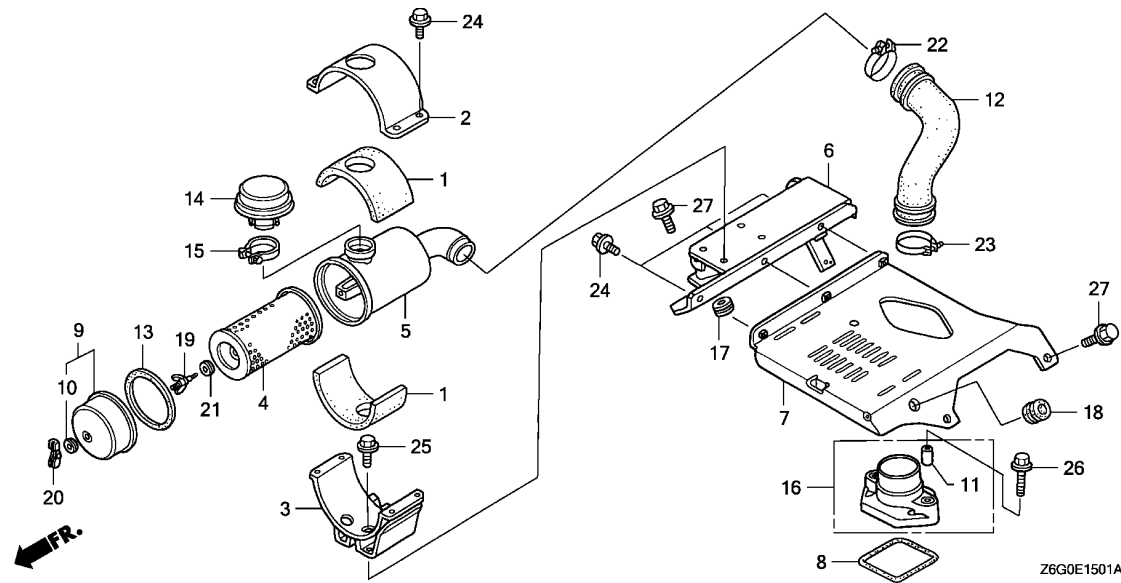
E 6



Ref. No.	L.O.N.	(Relative ref. Number) Description	F.R.T.
4	3121B8	ELEMENT, AIR CLEANER	0.1
12	3121K5	TUBE, AIR CLEANER CONNECTING ..	0.1
14	3121L2	CAP, AIR INTAKE	0.1

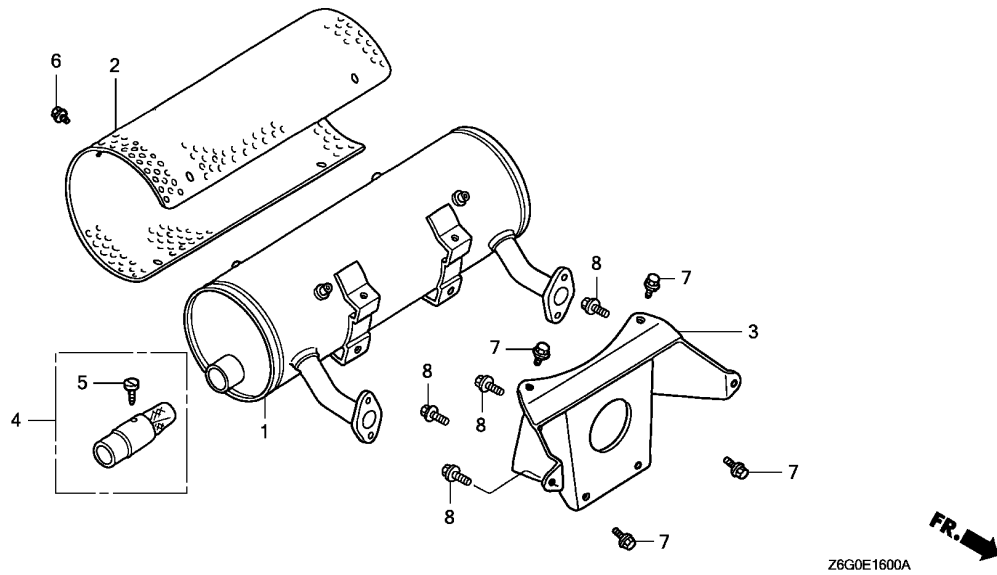
Ref. No.	Part No.	Description	Reqd. QTY		Serial No.	Parts catalogue code
			GX 670 U	GX 670 R		
1	17207-ZJ1-840	RUBBER, AIR CLEANER HOLDER				
2	17208-ZJ1-840	HOLDER COMP., AIR CLEANER	UPPER	2	-----	TXA2
3	17209-ZJ1-840	HOLDER COMP., AIR CLEANER	UPPER	1	-----	TXA2
			LOWER	1	-----	TXA2
4	17210-759-013	ELEMENT COMP., AIR CLEANER ..		1	-----	TXA2
5	17220-ZJ1-850	CASE COMP., AIR CLEANER (SNORKEL)		1	-----	TXA2
6	17222-ZJ1-850	STAY COMP. A, AIR CLEANER (SNORKEL)		1	-----	TXA2
7	17224-ZJ1-850	STAY COMP. B, AIR CLEANER (SNORKEL)		1	-----	TXA2
8	17229-ZN1-000	SEAL, AIR CLEANER CASE		1	-----	TXA2
9	17230-759-003	COVER COMP., AIR CLEANER		1	-----	TXA2
10	17232-891-000	GROMMET, AIR CLEANER		1	-----	TXA2
11	17238-ZJ4-830	COLLAR A, AIR CLEANER		2	-----	TXA2
12	17251-ZJ1-850	TUBE, AIR CLEANER CONNECTING		1	-----	TXA2
13	17253-759-003	SEAL, AIR CLEANER		1	-----	TXA2
14	17320-ZG5-801	CAP COMP., IN.		1	-----	TXA2
15	17330-ZG5-801	CLAMP ASSY.		1	-----	TXA2
16	17418-ZN1-000	JOINT B, CONNECTING TUBE		1	-----	TXA2
17	19111-MF5-000	GROMMET, RESERVE TANK		1	-----	TXA2
18	83551-MB9-000	GROMMET		1	-----	TXA2
19	90113-759-003	BOLT, AIR CLEANER		1	-----	TXA2
20	90203-ZA0-800	NUT, WING, 6MM(BLACK)		1	-----	TXA2

2



Ref. No.	Part No.	Description	Reqd. QTY		Serial No.	Parts catalogue code
			GX 670 U	GX 670 R		
21	90502-759-003	WASHER, AIR CLEANER	1	-	----- TXA2	
22	95018-52250	BAND, AIR CLEANER CONNECTING TUBE (52)	1	-	----- TXA2	
23	95018-58250	BAND, AIR CLEANER CONNECTING TUBE (58)	1	-	----- TXA2	
24	95701-06012-00	BOLT, FLANGE, 6X12	7	-	----- TXA2	
25	95701-06016-00	BOLT, FLANGE, 6X16	4	-	----- TXA2	
26	95701-06028-00	BOLT, FLANGE, 6X28	2	-	----- TXA2	
27	95701-08020-00	BOLT, FLANGE, 8X20	4	-	----- TXA2	





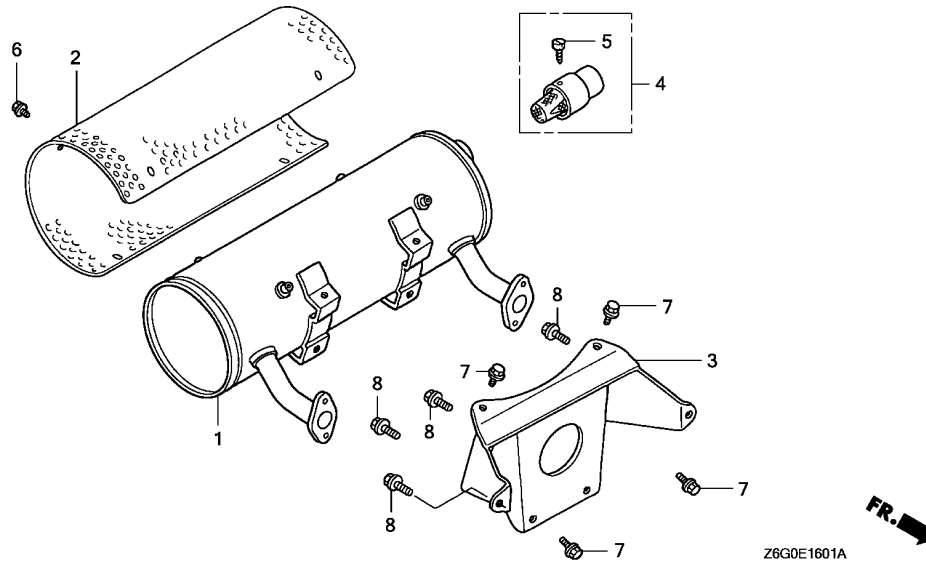
Ref. No.	L.O.N.	(Relative ref. Number) Description	F.R.T.
1	3131C5	MUFFLER, EXHAUST	0.6
2	3131D6	PROTECTOR, EXHAUST MUFFLER ...	0.2
3	3131E1	STAY, MUFFLER	0.6
4	3131A1	ARRESTER, SPARK	0.1

Ref. No.	Part No.	Description	Reqd. QTY		Serial No.	Parts catalogue code
			GX 670 U	GX 670 R		
1	18310-ZN1-003	MUFFLER COMP. (HIGH-R)	(1)	(1)		
2	18321-ZN1-003	PROTECTOR, MUFFLER	(1)	(1)		
3	18338-ZJ1-841	STAY, MUFFLER (HIGH)	(1)	(1)		
4	18355-ZN1-003	ARRESTER, SPARK	(1)	(1)		
5	90009-ZJ1-801	SCREW, (NELSON)	(1)	(1)		
6	95701-06008-00	BOLT, FLANGE, 6X8	(6)	(6)		
7	95701-08014-00	BOLT, FLANGE, 8X14	(4)	(4)		
8	95701-08020-00	BOLT, FLANGE, 8X20	(4)	(4)		

E-16-1

MUFFLER(HIGH-L)

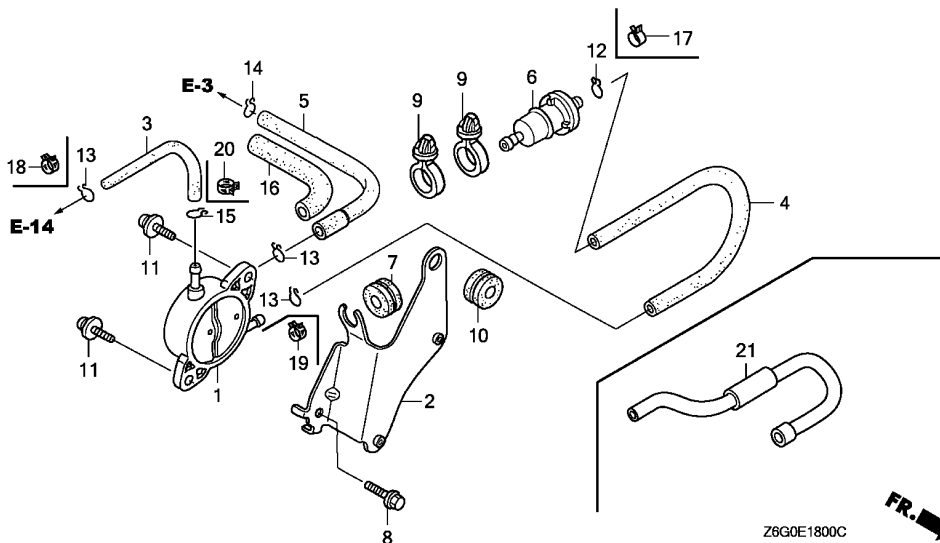
E 9



Ref. No.	L.O.N.	(Relative ref. Number) Description	F.R.T.
1	3131C5	MUFFLER, EXHAUST	0.6
2	3131D6	PROTECTOR, EXHAUST MUFFLER ...	0.2
3	3131E1	STAY, MUFFLER	0.6
4	3131A1	ARRESTER, SPARK	0.1

Ref. No.	Part No.	Description	Reqd. QTY		Serial No.	Parts catalogue code
			GX 670 U	GX 670 R		
1	18310-ZN1-802	MUFFLER COMP. (HIGH-L)	1	-	-----	TXF7, TXF8
			(1)	-	-----	BAF, BDW, BDWN, BXF, BXF5, BXF9, TAF, TDW, TDWN, TWF6, TXA2, TXF, TXF2, TXF4, TXF5, TXF9, TXW, VAB2, VXE1, VXE2, VXE4
2	18321-ZN1-003	PROTECTOR, MUFFLER	-	(1)	-----	TXF7, TXF8
			(1)	-	-----	BAF, BDW, BDWN, BXF, BXF5, BXF9, TAF, TDW, TDWN, TWF6, TXA2, TXF, TXF2, TXF4, TXF5, TXF9, TXW, VAB2, VXE1, VXE2, VXE4
3	18338-ZJ1-841	STAY, MUFFLER (HIGH)	-	(1)	-----	TXF7, TXF8
			(1)	-	-----	BAF, BDW, BDWN, BXF, BXF5, BXF9, TAF, TDW, TDWN, TWF6, TXA2, TXF, TXF2, TXF4, TXF5, TXF9, TXW, VAB2, VXE1, VXE2, VXE4
4	18355-ZN1-003	ARRESTER, SPARK	(1)	(1)	-----	
5	90009-ZJ1-801	SCREW, (NELSON)	(1)	(1)	-----	
6	95701-06008-00	BOLT, FLANGE, 6X8	6	-	-----	TXF7, TXF8
			(6)	-	-----	BAF, BDW, BDWN, BXF, BXF5, BXF9, TAF, TDW, TDWN, TWF6, TXA2, TXF, TXF2, TXF4, TXF5, TXF9, TXW, VAB2, VXE1, VXE2, VXE4
7	95701-08014-00	BOLT, FLANGE, 8X14	-	(6)	-----	TXF7, TXF8
			(4)	-	-----	BAF, BDW, BDWN, BXF, BXF5, BXF9, TAF, TDW, TDWN, TWF6, TXA2, TXF, TXF2, TXF4, TXF5, TXF9, TXW, VAB2, VXE1, VXE2, VXE4
8	95701-08020-00	BOLT, FLANGE, 8X20	-	(4)	-----	TXF7, TXF8
			(4)	-	-----	BAF, BDW, BDWN, BXF, BXF5, BXF9, TAF, TDW, TDWN, TWF6, TXA2, TXF, TXF2, TXF4, TXF5, TXF9, TXW, VAB2, VXE1, VXE2, VXE4
			-	(4)	-----	

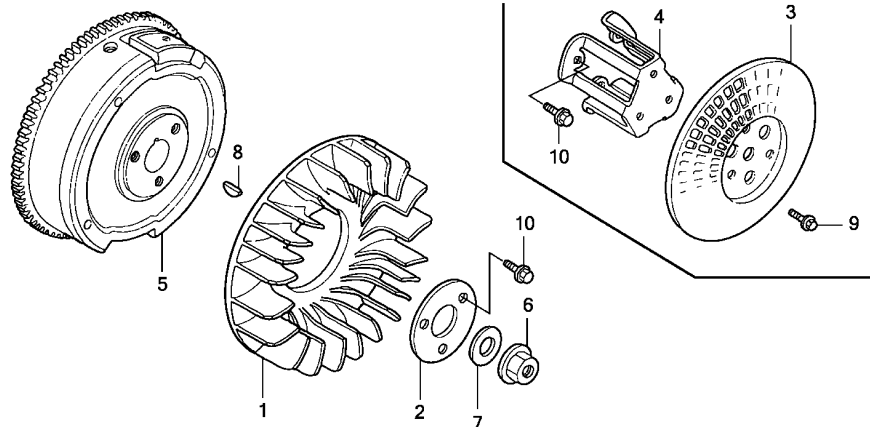
2



Ref. No.	L.O.N.	(Relative ref. Number) Description	F.R.T.
1	3101H9	PUMP, FUEL	0.3
2	3101J7	STAY, FUEL PUMP	0.3
3	3101F6	TUBE, FUEL	0.3
4		(21)	
	3101F7	TUBE B, FUEL	0.2
5	3101E5	TUBE, DIAPHRAGM	0.5
6	3101H8	STRAINER, FUEL	0.2

Ref. No.	Part No.	Description	Reqd. QTY		Serial No.	Parts catalogue code
			GX 670 U	GX 670 R		
1	16700-ZL8-013	PUMP ASSY., FUEL	1	1		
2	16711-ZJ1-840	STAY, FUEL PUMP	1	1		
3	16851-ZN1-000	TUBE, FUEL	1	-	----- 1004575	BAF,BDW,BXF,BXF5,BXF9,TAF,TDW,TWF6,TFX,TFX2,TFX4,TFX5,TFX7,TFX8,TFX9 TXW,VAB2,VXE1,VXE2,VXE4
	16851-Z6G-003	TUBE, FUEL (FKM)	1	-	----- 1004831	TXA2
			1	-	-----	BDWN,TDWN
			1	-	1004576	----- BAF,BDW,BXF,BXF5,BXF9,TAF,TDW,TWF6,TFX,TFX2,TFX4,TFX5,TFX7,TFX8,TFX9 TXW,VAB2,VXE1,VXE2,VXE4
			1	-	1004832	----- TXA2
4	16852-ZJ1-840	TUBE B, FUEL	1	-	----- 1004575	BAF,BDW,BXF,BXF5,BXF9,TAF,TDW,TWF6,TFX,TFX2,TFX4,TFX5,TFX7,TFX8,TFX9 TXW,VAB2,VXE1,VXE2,VXE4
	16852-ZJ1-850	1	-	----- 1004831	TXA2
	16852-Z6C-841	TUBE B, FUEL (FKM)	1	-	1004576	1035449 BAF,BDW,BXF,BXF5,BXF9,TAF,TDW,TWF6,TFX,TFX2,TFX4,TFX5,TFX7,TFX8,TFX9 TXW,VAB2,VXE1,VXE2,VXE4
	16852-Z6C-851	1	-	1004832	1035999 TXA2
5	16882-ZJ1-840	TUBE, DIAPHRAGM	1	1		
6	16910-ZE8-015	STRAINER COMP., FUEL	1	1		
7	19111-MF5-000	GROMMET, RESERVE TANK	1	1		
8	90014-952-000	BOLT, FLANGE, 6X14(CT200)	1	1		
9	90617-SA0-003	CLIP, WIRE HARNESS	1	-	-----	----- BAF,BDW,BDWN,BXF,BXF5,BXF9,TAF,TDW,TDWN,TWF6,TFX,TFX2,TFX4,TFX5,TFX7 TFX8,TFX9,TXW,VXE1,VXE2,VXE4
			2	-	-----	----- TXA2
10	91601-ZJ1-840	GROMMET, PUMP STAY	1	1		
11	93894-06016-00	SCREW-WASHER, 6X16	2	2		

Ref. No.	Part No.	Description	Reqd. QTY		Serial No.	Parts catalogue code
			GX 670 U	GX 670 R		
12	95002-02080	CLIP, TUBE (B8)	1	-	1004575	BAF,BDW,BXF,BXF5,BXF9,TAF,TDW,TWF6,TFX,TFX2,TFX4,TFX5,TFX7,TFX8,TFX9 TXW,VAB2,VXE1,VXE2,VXE4
			1	-	1004831	TXA2
13	95002-02100	CLIP, TUBE (B10)	3	-	1004575	BAF,BDW,BXF,BXF5,BXF9,TAF,TDW,TWF6,TFX,TFX2,TFX4,TFX5,TFX7,TFX8,TFX9 TXW,VAB2,VXE1,VXE2,VXE4
			3	-	1004831	TXA2
			1	-		BDWN,TDWN
			1	-	1004576	BAF,BDW,BXF,BXF5,BXF9,TAF,TDW,TWF6,TFX,TFX2,TFX4,TFX5,TFX7,TFX8,TFX9 TXW,VAB2,VXE1,VXE2,VXE4
			1	-	1004832	TXA2
			-	1		
14	95002-50000	CLIP, TUBE (C9)	1	-	1003296	BAF,BDW,BXF,BXF5,BXF9,TAF,TDW,TWF6,TFX,TFX2,TFX4,TFX5,TFX7,TFX8 TFX9,TFX,TFX2,TFX4,TFX5,TFX7,TFX8
	95002-02080	CLIP, TUBE (B8)	1	-		BDWN,TDWN
			1	-	1003297	BAF,BDW,BXF,BXF5,BXF9,TAF,TDW,TWF6,TFX,TFX2,TFX4,TFX5,TFX7,TFX8 TFX9,TFX,TFX2,TFX4,TFX5,TFX7,TFX8
			-	1		
15	95002-70000	CLIP, TUBE (C11)	1	-	1004575	BAF,BDW,BXF,BXF5,BXF9,TAF,TDW,TWF6,TFX,TFX2,TFX4,TFX5,TFX7,TFX8,TFX9 TXW,VAB2,VXE1,VXE2,VXE4
			1	-	1004831	TXA2
16	95003-25015-20	TUBE, VINYL, 9X11X150 (95003-25001-10M)	1	1		
17	95002-40800-08	CLAMP, TUBE (D8)	1	-		BDWN,TDWN
			1	-	1004576	BAF,BDW,BXF,BXF5,BXF9,TAF,TDW,TWF6,TFX,TFX2,TFX4,TFX5,TFX7,TFX8,TFX9 TXW,VAB2,VXE1,VXE2,VXE4
			1	-	1004832	TXA2
			-	1		
18	95002-41000-08	CLAMP, TUBE (D10)	1	-		BDWN,TDWN
			1	-	1004576	BAF,BDW,BXF,BXF5,BXF9,TAF,TDW,TWF6,TFX,TFX2,TFX4,TFX5,TFX7,TFX8,TFX9 TXW,VAB2,VXE1,VXE2,VXE4
			1	-	1004832	TXA2
			-	1		
19	95002-40850-08	CLAMP, TUBE (D8.5)	1	-		BDWN,TDWN
			1	-	1004576	BAF,BDW,BXF,BXF5,BXF9,TAF,TDW,TWF6,TFX,TFX2,TFX4,TFX5,TFX7,TFX8,TFX9 TXW,VAB2,VXE1,VXE2,VXE4
			1	-	1004832	TXA2
			-	1		
20	95002-41050-08	CLAMP, TUBE (D10.5)	1	-	1004576	1035449 BAF,BDW,BXF,BXF5,BXF9,TAF,TDW,TWF6,TFX,TFX2,TFX4,TFX5,TFX7,TFX8,TFX9 TXW,VAB2,VXE1,VXE2,VXE4
			1	-	1004832	1035999 TXA2
	95002-41000-08	CLAMP, TUBE (D10)	1	-		BDWN,TDWN
			1	-	1035450	BAF,BDW,BXF,BXF5,BXF9,TAF,TDW,TWF6,TFX,TFX2,TFX4,TFX5,TFX7,TFX8,TFX9 TXW,VAB2,VXE1,VXE2,VXE4
			1	-	1036000	TXA2
			-	1		
21	16855-Z6C-841	TUBE COMP. B, FUEL (FKM)	1	-		BDWN,TDWN
			1	-	1035450	BAF,BDW,BXF,BXF5,BXF9,TAF,TDW,TWF6,TFX,TFX2,TFX4,TFX5,TFX7,TFX8,TFX9 TXW,VAB2,VXE1,VXE2,VXE4
			-	1		
	16855-Z6C-851	1	-	1036000	TXA2

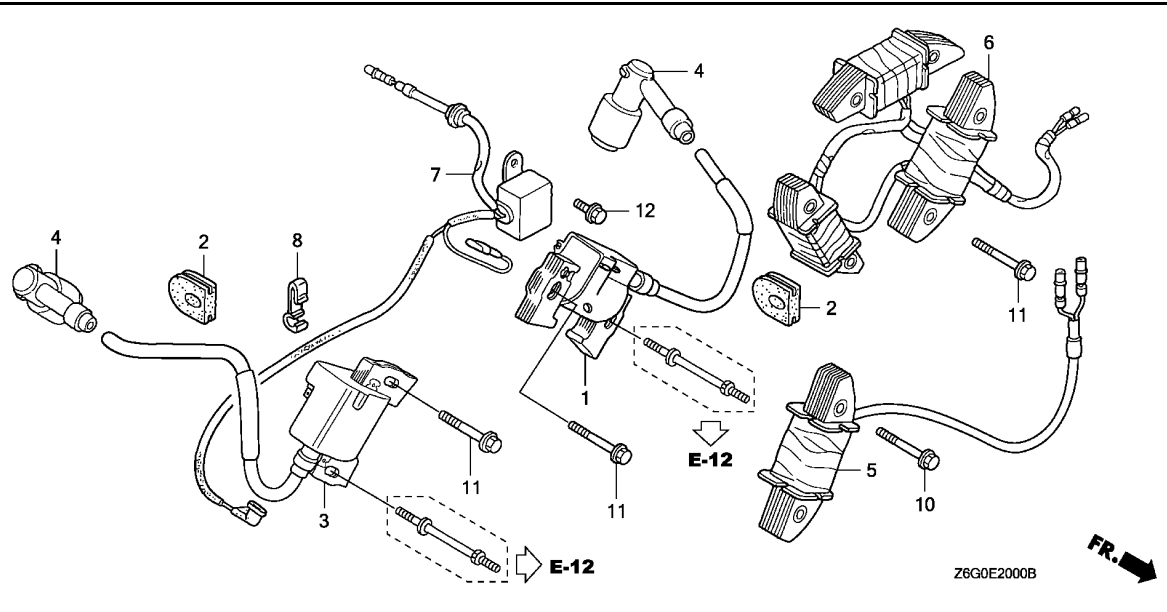


Z6G0E1900A



Ref. No.	L.O.N.	(Relative ref. Number) Description	F.R.T.
1	1141G7	FAN, ENGINE COOLING	0.5
3	6201A5	GRID, SCREEN	0.4
4	6201A6	HOLDER, SCREEN GRID	0.5
5	2161B5	FLYWHEEL	0.7

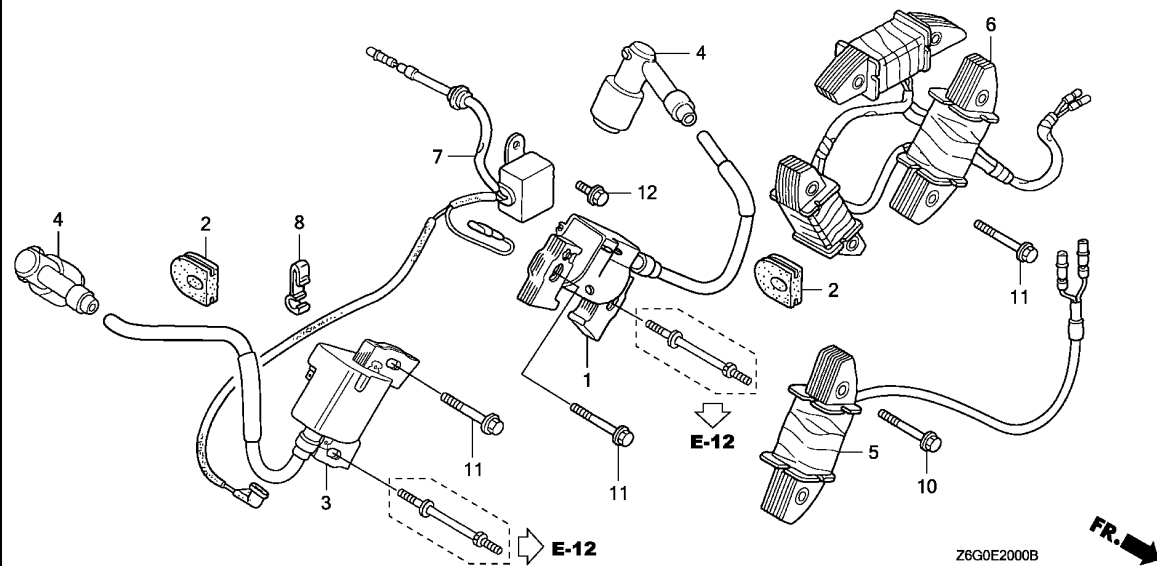
Ref. No.	Part No.	Description	Reqd. QTY		Serial No.	Parts catalogue code
			GX 670 U	GX 670 R		
1	19511-ZJ1-000	FAN, COOLING	1	1		
2	19513-ZJ1-000	PLATE, COOLING FAN SETTING ..	1	-	-----	BAF,BDW,BDWN,BXF,BXF5,BXF9,TAF,TDW,TDWN,TWF6,TXA2,TFX,TXF2,TFX4,TFX5,TFX7,TFX8,TFX9,TXW,VXE1,VXE2,VXE4
			-	1		
3	28452-ZJ1-801	GRID, SCREEN	1	-	-----	VAB2
	28452-ZJ1-811	GRID, SCREEN (P.T.O.)	(1)	-	-----	BAF,BDW,BDWN,BXF,BXF5,BXF9,TAF,TDW,TDWN,TWF6,TXA2,TFX,TXF2,TFX4,TFX5,TFX7,TFX8,TFX9,TXW,VXE1,VXE2,VXE4
4	28454-ZJ1-801	HOLDER, SCREEN GRID	-	(1)		
			1	-	-----	VAB2
			(1)	-	-----	BAF,BDW,BDWN,BXF,BXF5,BXF9,TAF,TDW,TDWN,TWF6,TXA2,TFX,TXF2,TFX4,TFX5,TFX7,TFX8,TFX9,TXW,VXE1,VXE2,VXE4
5	31110-ZJ1-840	FLYWHEEL COMP.	1	-	-----	BAF,BDW,BDWN,BXF,BXF5,BXF9,TAF,TDW,TDWN,TWF6,TXA2,TFX,TXF2,TFX4,TFX5,TFX7,TFX8,TFX9,TXW,VAB2,VXE1
	31110-ZJ1-850	-	1		
			1	-	-----	VXE2,VXE4
6	90201-ZG3-000	NUT, FLANGE, 20MM	1	1		
7	90401-ZG3-000	WASHER, 20MM	1	1		
8	90741-ZE2-000	KEY, SPECIAL WOODRUFF, 25X18	1	1		
9	95701-06012-00	BOLT, FLANGE, 6X12	3	-	-----	VAB2
10	95701-08016-00	BOLT, FLANGE, 8X16	3	3		



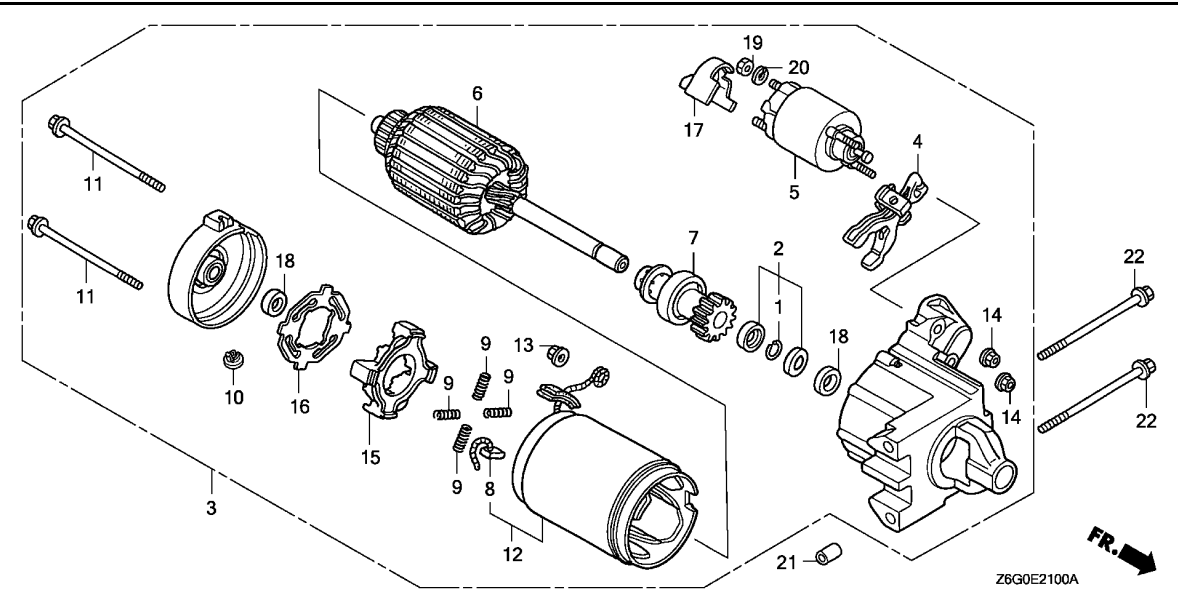
Ref. No.	L.O.N.	(Relative ref. Number) Description	F.R.T.
1	6141A3	COIL, IGNITION :LEFT	0.5
3	6141A4	COIL, IGNITION :RIGHT	0.5
4	6141C3	TERMINAL, HIGH TENSION :LEFT	0.1
	6141C4	TERMINAL, HIGH TENSION :RIGHT	0.1
5		(6)	
	6131C3	COIL, CHARGE	0.8
7	614106	DIODE, ENGINE STOP	0.6

Ref. No.	Part No.	Description	Reqd. QTY		Serial No.	Parts catalogue code
			GX 670 U	GX 670 R		
1	30500-ZJ1-844	COIL ASSY., IGNITION (L. SIDE)	1	-	1029312	BAF,BDW,BXF,BXF5,BXF9,TAF,TDW,TWF6,TXA2,TFX,TFX2,TFX4,TFX5,TFX7,TFX8,TFX9,TXW,VAB2,VXE1,VXE2,VXE4
	30500-ZJ1-845	(L. SIDE)	1	-		BDWN,TDWN
		//	1	-	1029313	BAF,BDW,BXF,BXF5,BXF9,TAF,TDW,TWF6,TXA2,TFX,TFX2,TFX4,TFX5,TFX7,TFX8,TFX9,TXW,VAB2,VXE1,VXE2,VXE4
2	30518-ZJ1-000	GROMMET, HIGH TENSION CORD	-	1		
3	30550-ZJ1-844	COIL ASSY., IGNITION (R. SIDE)	1	-	1029312	BAF,BDW,BXF,BXF5,BXF9,TAF,TDW,TWF6,TXA2,TFX,TFX2,TFX4,TFX5,TFX7,TFX8,TFX9,TXW,VAB2,VXE1,VXE2,VXE4
	30550-ZJ1-845	(R. SIDE)	1	-		BDWN,TDWN
		//	1	-	1029313	BAF,BDW,BXF,BXF5,BXF9,TAF,TDW,TWF6,TXA2,TFX,TFX2,TFX4,TFX5,TFX7,TFX8,TFX9,TXW,VAB2,VXE1,VXE2,VXE4
4	30700-ZJ1-841	CAP ASSY., NOISE SUPPRESSOR	-	1		
5	31630-ZJ1-003	COIL ASSY., CHARGE (12V/3A)	1	-	1029312	VXE2,VXE4
	31630-ZJ1-013		1	-	1029313	VXE2,VXE4
6	31630-ZJ1-801	COIL ASSY., CHARGE (12V/20A)	1	-	1029336	BAF,BDW,BXF,BXF5,BXF9,TAF,TDW,TWF6,TXA2,TFX,TFX2,TFX4,TFX5,TFX7,TFX8,TFX9,TXW,VAB2,VXE1
	31630-ZJ1-802		1	-		BDWN,TDWN
			1	-	1029337	BAF,BDW,BXF,BXF5,BXF9,TAF,TDW,TWF6,TXA2,TFX,TFX2,TFX4,TFX5,TFX7,TFX8,TFX9,TXW,VAB2,VXE1
7	31740-ZJ1-851	DIODE ASSY., ENGINE STOP	-	1		
			1	-		BXF9
			1	-	1032050	TFX9





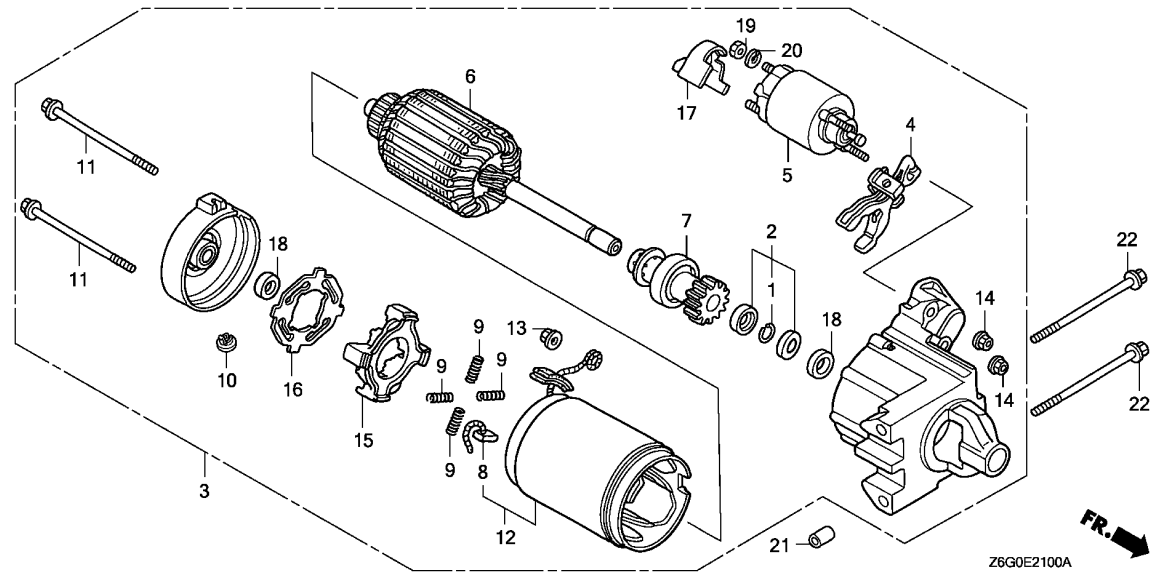
Ref. No.	Part No.	Description	Reqd. QTY		Serial No.	Parts catalogue code
			GX 670 U	GX 670 R		
(7)	31740-ZJ1-861	DIODE ASSY., ENGINE STOP	1	-	----- TWF6	
			1	-	1030929	BAF,BDW,BXF,BXF5,TAF,TDW,TXA2,TFX,TFX2,TFX4,TFX5,TFX7,TFX8,TXW,VAB2,VXE1,VXE2,VXE4
	31740-ZJ1-852	1	-	1032051	TFX9
	31740-ZJ1-862	1	-	-----	BDWN,TDWN
			1	-	1030930	BAF,BDW,BXF,BXF5,TAF,TDW,TXA2,TFX,TFX2,TFX4,TFX5,TFX7,TFX8,TXW,VAB2,VXE1,VXE2,VXE4
	8 32763-PA0-000	CLAMP, CORD	-	1		
	10 90014-ZE6-000	BOLT, FLANGE, 6X35(CT200)	1	1		
			2	-	-----	VXE2,VXE4
	11 90031-ZE1-000	BOLT, FLANGE, 6X32	2	-	-----	VXE2,VXE4
			8	-	-----	BAF,BDW,BDWN,BXF,BXF5,BXF9,TAF,TDW,TDWN,TWF6,TXA2,TFX,TFX2,TFX4,TFX5,TFX7,TFX8,TFX9,TXW,VAB2,VXE1
	12 95701-06008-00	BOLT, FLANGE, 6X8	-	8		
			1	1		



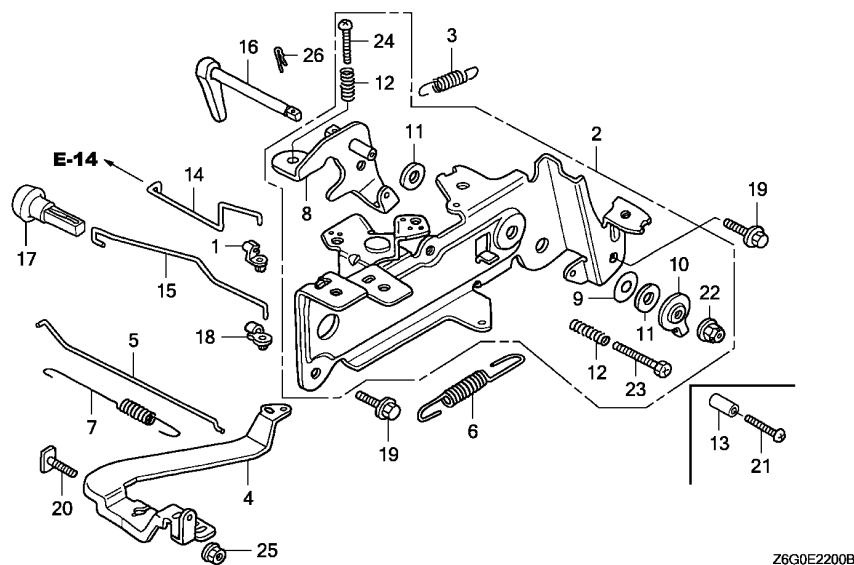
Ref. No.	L.O.N.	(Relative ref. Number) Description	F.R.T.
3	6121D5	MOTOR, STARTER	0.3
4	6121B7	LEVER, PINION DRIVE	0.3
5	6121C9	SWITCH, STARTER MAGNETIC	0.3
6	6121A0	ARMATURE, STARTER	0.6
7		(2)	
	6121B0	CLUTCH, OVERRUNNING	0.5
8	6121A9	BRUSH, STARTER	0.6
12	6121D1	YOKE, STARTER	0.6
18	6121A3	BEARING, ARMATURE	0.5

Ref. No.	Part No.	Description	Reqd. QTY		Serial No.	Parts catalogue code
			GX 670 U	GX 670 R		
1	30201-PH9-004	RING, SNAP (DENSO)	1	1		
2	30202-PZ1-003	COLLAR SET, CLUTCH STOP	1	1		
3	31200-ZJ1-841	MOTOR ASSY., STARTER	1	-	----- 1031025	BAF,BDW,BXF,BXF5,BXF9,TAF,TDW,TWF6,TXA2,TF,TF2,TF4,TF5,TF7,TF8 TF9,TXW,VAB2,VXE1,VXE2,VXE4
	31200-ZJ1-842	1	-	-----	BDWN,TDWN
			1	-	1031026	BAF,BDW,BXF,BXF5,BXF9,TAF,TDW,TWF6,TXA2,TF,TF2,TF4,TF5,TF7,TF8 TF9,TXW,VAB2,VXE1,VXE2,VXE4
4	31203-PH9-004	LEVER, PINION DRIVE	-	1		
5	31204-ZJ1-H01	SWITCH ASSY., MAGNET	1	-	----- 1031025	BAF,BDW,BXF,BXF5,BXF9,TAF,TDW,TWF6,TXA2,TF,TF2,TF4,TF5,TF7,TF8 TF9,TXW,VAB2,VXE1,VXE2,VXE4
	31204-ZJ1-H02	1	-	-----	BDWN,TDWN
			1	-	1031026	BAF,BDW,BXF,BXF5,BXF9,TAF,TDW,TWF6,TXA2,TF,TF2,TF4,TF5,TF7,TF8 TF9,TXW,VAB2,VXE1,VXE2,VXE4
			-	1		
6	31206-ZG4-801	ARMATURE COMP.	1	1		
7	31207-ZJ1-H01	CLUTCH COMP., OVERRUNNING ..	1	1		
8	31211-PH9-004	BRUSH	4	4		
9	31212-PH9-004	SPRING, BRUSH	4	4		
10	31213-P64-N01	COVER	1	1		
11	31214-PH9-004	BOLT, THROUGH	2	2		
12	31218-P64-N01	YOKE COMP.	1	1		
13	31220-PH9-004	NUT, HEX., 8MM	1	1		
14	31223-PA0-006	NUT, HEX.	2	2		
15	31231-PH9-004	HOLDER, BRUSH	1	1		
16	31233-PH9-004	INSULATOR, BRUSH HOLDER	1	1		





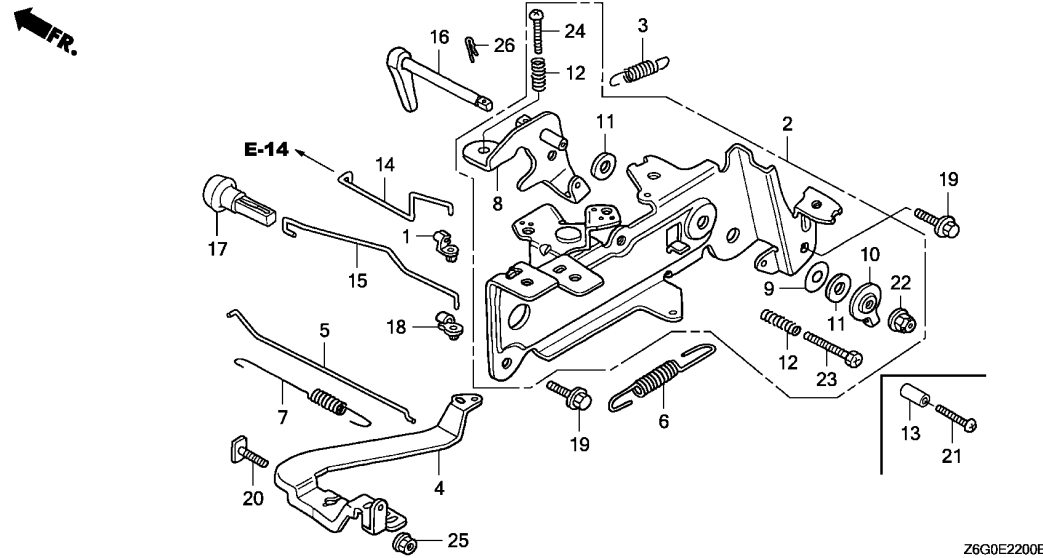
Ref. No.	Part No.	Description	Reqd. QTY		Serial No.	Parts catalogue code
			GX 670 U	GX 670 R		
17	31234-ZJ1-H01	COVER, TERMINAL	1	-	1031025	BAF,BDW,BXF,BXF5,BXF9,TAF,TDW,TWF6,TXA2,TFX,TFX2,TFX4,TFX5,TFX7,TFX8 TFX9,TXW,VAB2,VXE1,VXE2,VXE4
	31234-ZJ1-H02	1	-	1031026	BDWN,TDWN BAF,BDW,BXF,BXF5,BXF9,TAF,TDW,TWF6,TXA2,TFX,TFX2,TFX4,TFX5,TFX7,TFX8 TFX9,TXW,VAB2,VXE1,VXE2,VXE4
				-		
18	91002-ZG4-801	BEARING A	2	1		
19	94001-08200-OS	NUT, HEX., 8MM	1	1		
20	94111-08000	WASHER, SPRING, 8MM	1	1		
21	94301-10120	DOWEL PIN, 10X12	2	2		
22	95701-08110-00	BOLT, FLANGE, 8X110	2	2		



Ref. No.	L.O.N.	(Relative ref. Number) Description	F.R.T.
2	1161A5	CONTROL, THROTTLE/GOVERNOR ...	0.4
3	1161C1	SPRING, STARTER	0.1
4	1161A0	ARM, GOVERNOR	0.3
5	1161B1	ROD, GOVERNOR	0.3
6	1161C5	SPRING, GOVERNOR	0.1
7	1161C2	SPRING, THROTTLE RETURN	0.2
8	8101Q3	ARM, CONTROL	0.3
14	8101Q2	ROD, CHOKE CONTROL	0.2
16	8101H1	LEVER, THROTTLE	0.2
17		(15)	
	8101Q0	KNOB, CHOKE	0.2

Ref. No.	Part No.	Description	Reqd. QTY		Serial No.	Parts catalogue code
			GX 670 U	GX 670 R		
1	16263-883-W10	JOINT, ROD	1	1	-----	BAF,BXF,TAF,TWF6,TXA2,TFX,TXF2,TFX4,TFX7,TFX8,TFX
2	16500-ZJ1-851	CONTROL ASSY.	1	1	-----	BAF,BXF,TAF,TWF6,TXA2,TFX,TXF2,TFX4,TFX7,TFX8,TFX
3	16534-ZN1-000	SPRING, STARTER	1	-	1002449	BAF,BXF,TAF,TWF6,TXA2,TFX,TXF2,TFX4,TFX7,TFX8,TFX
	16534-ZN1-010	1	-	1002450	BAF,BXF,TAF,TWF6,TXA2,TFX,TXF2,TFX4,TFX7,TFX8,TFX
			-	1	-----	TAF
4	16551-ZJ1-840	ARM, GOVERNOR	1	1	-----	BAF,BXF,TAF,TWF6,TXA2,TFX,TXF2,TFX4,TFX7,TFX8,TFX
5	16555-ZN1-000	ROD, GOVERNOR	1	1	-----	BAF,BXF,TAF,TWF6,TXA2,TFX,TXF2,TFX4,TFX7,TFX8,TFX
6	16561-ZN1-800	SPRING, GOVERNOR (MANUAL) ...	1	1	-----	BAF,BXF,TAF,TWF6,TXA2,TFX,TXF2,TFX4,TFX7,TFX8,TFX
7	16562-ZN1-000	SPRING, THROTTLE RETURN	1	1	-----	BAF,BXF,TAF,TWF6,TXA2,TFX,TXF2,TFX4,TFX7,TFX8,TFX
8	16570-ZJ1-851	ARM COMP., CONTROL	1	1	-----	BAF,BXF,TAF,TWF6,TXA2,TFX,TXF2,TFX4,TFX7,TFX8,TFX
9	16574-883-300	SPRING, LEVER	1	1	-----	BAF,BXF,TAF,TWF6,TXA2,TFX,TXF2,TFX4,TFX7,TFX8,TFX
10	16575-ZJ1-850	WASHER, CONTROL ARM	1	1	-----	BAF,BXF,TAF,TWF6,TXA2,TFX,TXF2,TFX4,TFX7,TFX8,TFX
11	16576-883-300	SPACER, CONTROL LEVER	2	2	-----	BAF,BXF,TAF,TWF6,TXA2,TFX,TXF2,TFX4,TFX7,TFX8,TFX
12	16584-883-300	SPRING, CONTROL ADJUSTING ...	2	2	-----	BAF,BXF,TAF,TWF6,TXA2,TFX,TXF2,TFX4,TFX7,TFX8,TFX
13	16599-ZG1-M10	COLLAR, STOPPER	(1)	-	-----	TFX4
14	16611-ZN1-000	ROD, CHOKE CONTROL	1	1	-----	BAF,BXF,TAF,TWF6,TXA2,TFX,TXF2,TFX4,TFX7,TFX8,TFX
15	16628-ZJ1-850	ROD, CHOKE KNOB	1	1	-----	BAF,BXF,TAF,TWF6,TXA2,TFX,TXF2,TFX4,TFX7,TFX8,TFX
16	17850-ZJ1-850	LEVER ASSY., THROTTLE	1	1	-----	BAF,BXF,TAF,TWF6,TXA2,TFX,TXF2,TFX4,TFX7,TFX8,TFX
17	17951-921-030	KNOB, CHOKE	1	1	-----	BAF,BXF,TAF,TWF6,TXA2,TFX,TXF2,TFX4,TFX7,TFX8,TFX
18	17957-ZV4-000	BUSH, LINKAGE	1	1	-----	BAF,BXF,TAF,TWF6,TXA2,TFX,TXF2,TFX4,TFX7,TFX8,TFX
19	90014-952-000	BOLT, FLANGE, 6X14(CT200) ...	2	2	-----	BAF,BXF,TAF,TWF6,TXA2,TFX,TXF2,TFX4,TFX7,TFX8,TFX
20	90015-ZE3-790	BOLT, GOVERNOR ARM	1	1	-----	BAF,BXF,TAF,TWF6,TXA2,TFX,TXF2,TFX4,TFX7,TFX8,TFX
21	90016-ZG9-N30	SCREW, RECESSED, 5X25	(1)	-	-----	TFX4
22	90114-SAO-000	NUT, SELF-LOCK, 6MM	1	1	-----	BAF,BXF,TAF,TWF6,TXA2,TFX,TXF2,TFX4,TFX7,TFX8,TFX
23	92301-05025-0A	BOLT, RECESSED, 5X25	1	1	-----	BAF,BXF,TAF,TWF6,TXA2,TFX,TXF2,TFX4,TFX7,TFX8,TFX





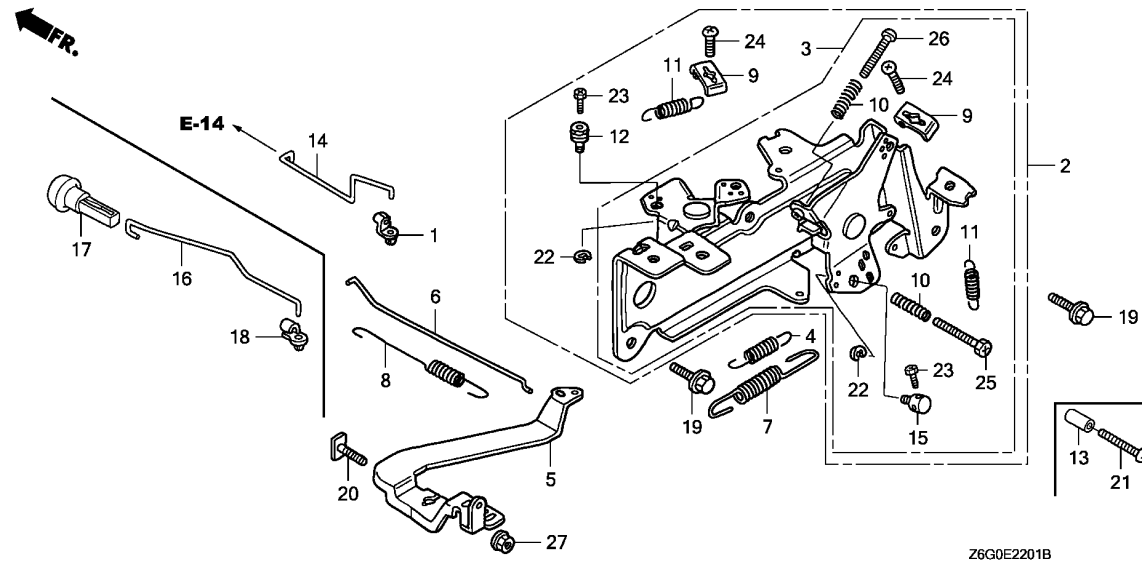
Z6G0E2200B

Ref. No.	Part No.	Description	Reqd. QTY		Serial No.	Parts catalogue code
			GX 670 U	GX 670 R		
24	93500-05025-0A	SCREW, PAN, 5X25	1	1	-----	BAF,BXF,TAF,TWF6,TXA2,TXF,TXF2,TXF4,TXF7,TXF8,TXW
25	94050-06000	NUT, FLANGE, 6MM	1	1	-----	BAF,BXF,TAF,TWF6,TXA2,TXF,TXF2,TXF4,TXF7,TXF8,TXW
26	94251-10000	PIN, LOCK, 10MM	1	1	-----	BAF,BXF,TAF,TWF6,TXA2,TXF,TXF2,TXF4,TXF7,TXF8,TXW

E-22-1

CONTROL(2)

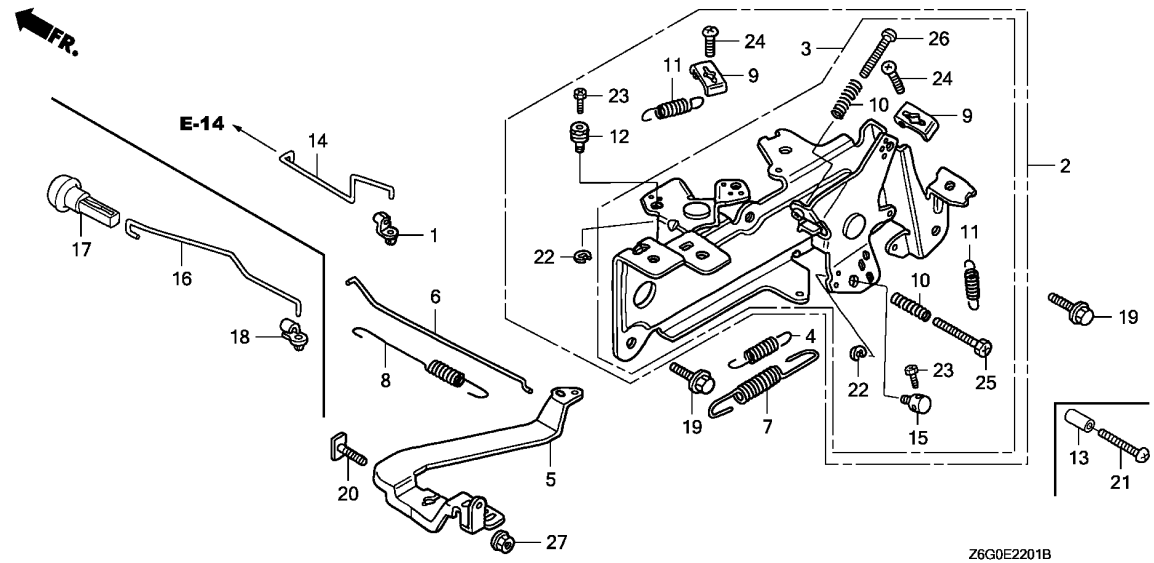
F 3



Ref. No.	L.O.N.	(Relative ref. Number) Description	F.R.T.
2	1161A5	CONTROL, THROTTLE/GOVERNOR ...	0.4
4	1161C1	SPRING, STARTER	0.1
5	1161A0	ARM, GOVERNOR	0.3
6	1161B1	ROD, GOVERNOR	0.3
7	1161C5	SPRING, GOVERNOR	0.1
8	1161C2	SPRING, THROTTLE RETURN	0.2
11	1161B7	SPRING, CABLE RETURN	0.1
14	8101R5	ROD, GOVERNOR CHOKE CONTROL ..	0.2
17		(16)	
	8101Q0	KNOB, CHOKE	0.2

Ref. No.	Part No.	Description	Reqd. QTY		Serial No.	Parts catalogue code
			GX 670 U	GX 670 R		
1	16263-883-W10	JOINT, ROD	1	1	BDW,BDWN,BXF5,BXF9,TDW,TDWN,TFX5,TFX9,VAB2	
2	16500-ZJ1-861	CONTROL ASSY.	1	1	BDW,BDWN,BXF9,TDW,TDWN,TFX9,VAB2	
3	16500-ZJ1-871	CONTROL ASSY.	1	-	BXF5,TFX5	
4	16534-ZN1-000	SPRING, STARTER	1	-	1002449 BDW,BXF5,BXF9,TDW,TFX5,TFX9,VAB2	
	16534-ZN1-010	1	-	BDWN,TDWN	
			1	-	1002450 BDW,BXF5,BXF9,TDW,TFX5,TFX9,VAB2	
			-	1	BDW,TDW	
5	16551-ZJ1-840	ARM, GOVERNOR	1	1	BDW,BDWN,BXF5,BXF9,TDW,TDWN,TFX5,TFX9,VAB2	
6	16555-ZN1-000	ROD, GOVERNOR	1	1	BDW,BDWN,BXF5,BXF9,TDW,TDWN,TFX5,TFX9,VAB2	
7	16561-ZN1-000	SPRING, GOVERNOR	1	1	BDW,BDWN,BXF5,BXF9,TDW,TDWN,TFX5,TFX9,VAB2	
8	16562-ZN1-000	SPRING, THROTTLE RETURN	1	1	BDW,BDWN,BXF5,BXF9,TDW,TDWN,TFX5,TFX9,VAB2	
9	16576-891-000	HOLDER, CABLE	1	-	BXF5,TFX5	
10	16584-883-300	SPRING, CONTROL ADJUSTING ...	2	2	BDW,BDWN,BXF9,TDW,TDWN,TFX9,VAB2	
			2	2	BDW,BDWN,BXF5,BXF9,TDW,TDWN,TFX5,TFX9,VAB2	
11	16592-ZJ1-000	SPRING, CABLE RETURN	1	-	BXF5,TFX5	
			2	2	BDW,BDWN,BXF9,TDW,TDWN,TFX9,VAB2	
12	16594-883-010	HOLDER, WIRE	1	1	BDW,BDWN,BXF9,TDW,TDWN,TFX9,VAB2	
13	16599-ZG1-M10	COLLAR, STOPPER	(1)	-	BXF5,BXF9,TFX5,TFX9	
14	16611-ZN1-000	ROD, CHOKE CONTROL	1	1	BDW,BDWN,BXF5,BXF9,TDW,TDWN,TFX5,TFX9,VAB2	
15	16617-ZJ1-840	HOLDER, CABLE	1	1	BDW,BDWN,BXF5,BXF9,TDW,TDWN,TFX5,TFX9,VAB2	
16	16628-ZJ1-850	ROD, CHOKE KNOB	1	-	BXF5,TFX5	
17	17951-921-030	KNOB, CHOKE	1	-	BXF5,TFX5	
18	17957-ZV4-000	BUSH, LINKAGE	1	-	BXF5,TFX5	
19	90014-952-000	BOLT, FLANGE, 6X14(CT200) ...	2	2	BDW,BDWN,BXF5,BXF9,TDW,TDWN,TFX5,TFX9,VAB2	
20	90015-ZE3-790	BOLT, GOVERNOR ARM	1	1	BDW,BDWN,BXF5,BXF9,TDW,TDWN,TFX5,TFX9,VAB2	

2

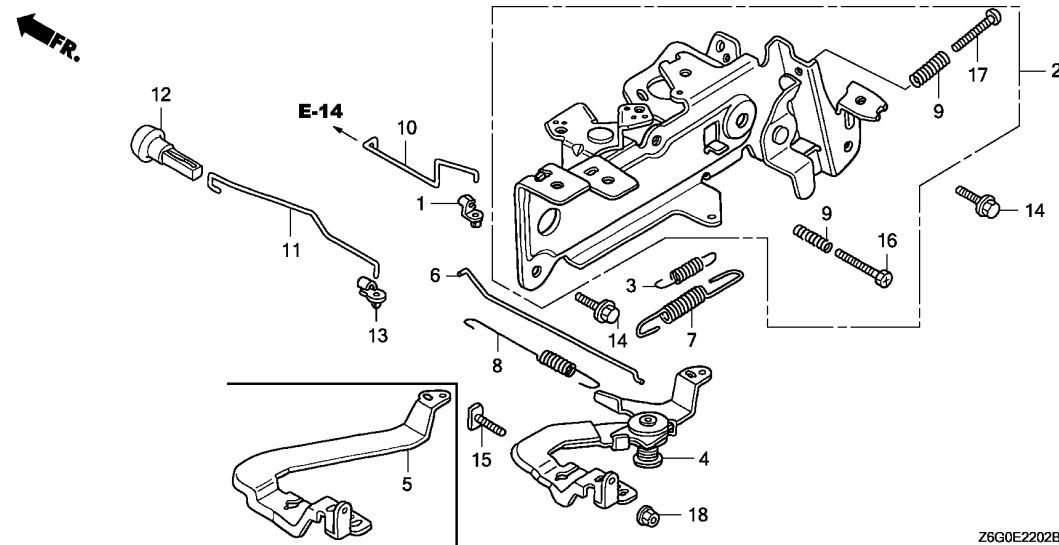


Ref. No.	Part No.	Description	Reqd. QTY		Serial No.	Parts catalogue code
			GX 670 U	GX 670 R		
21	90016-ZG9-N30	SCREW, RECESSED, 5X25	(1)	-	-----	BXF5,BXF9,TXF5,TXF9
22	90605-230-000	CIRCLIP, 5MM	1	-	-----	BXF5, TXF5
23	92301-04006-0H	BOLT, RECESSED, 4X6	1	-	-----	BDW,BDWN,BXF9,TDW,TDWN,TF9,VAB2
24	92301-05016-0A	BOLT, RECESSED, 5X16	1	-	-----	BXF5, TXF5
25	92301-05025-0A	BOLT, RECESSED, 5X25	2	2	-----	BDW,BDWN,BXF9,TDW,TDWN,TF9,VAB2
26	93500-05025-0A	SCREW, PAN, 5X25	1	1	-----	BDW,BDWN,BXF5,BXF9,TDW,TDWN,TF5,TF9,VAB2
27	94050-06000	NUT, FLANGE, 6MM	1	1	-----	BDW,BDWN,BXF5,BXF9,TDW,TDWN,TF5,TF9,VAB2

E-22-2

CONTROL(3)

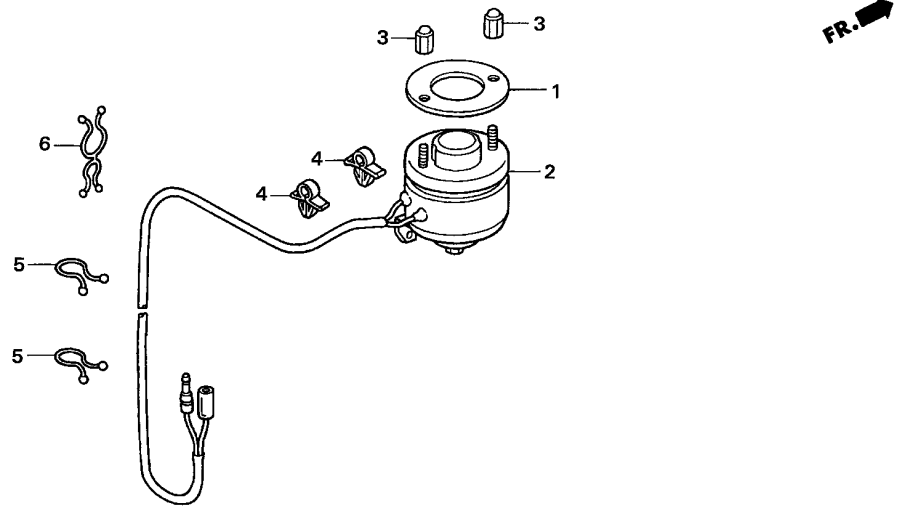
F 5



Ref. No.	L.O.N.	(Relative ref. Number) Description	F.R.T.
2	1161A5	CONTROL, THROTTLE/GOVERNOR ...	0.4
3	1161C1	SPRING, STARTER	0.1
4		(5)	
	1161A0	ARM, GOVERNOR	0.3
6	1161B1	ROD, GOVERNOR	0.3
7	1161C5	SPRING, GOVERNOR	0.1
8	1161C2	SPRING, THROTTLE RETURN	0.2
10	8101R5	ROD, GOVERNOR CHOKE CONTROL ..	0.2
12		(11)	
	8101Q0	KNOB, CHOKE	0.2

Ref. No.	Part No.	Description	Reqd. QTY		Serial No.	Parts catalogue code
			GX 670 U	GX 670 R		
1	16263-883-W10	JOINT, ROD	1	-	-----	VXE1,VXE2,VXE4
2	16500-ZJ1-890	CONTROL ASSY. (AUTO THROTTLE)	1	-	-----	VXE1,VXE2,VXE4
3	16534-ZN1-000	SPRING, STARTER	1	-	-----	VXE1,VXE2,VXE4
	16534-ZN1-010	1	-	1002450	VXE1,VXE2,VXE4
4	16550-ZN1-000	ARM COMP., GOVERNOR	1	-	-----	VXE2,VXE4
5	16551-ZJ1-840	ARM, GOVERNOR	1	-	-----	VXE1
6	16555-ZN1-000	ROD, GOVERNOR	1	-	-----	VXE1,VXE2,VXE4
7	16561-ZJ1-860	SPRING, GOVERNOR (MANUAL) ...	1	-	-----	VXE4
	16561-ZN1-800	1	-	-----	VXE1,VXE2
8	16562-ZN1-000	SPRING, THROTTLE RETURN	1	-	-----	VXE1,VXE2,VXE4
9	16584-883-300	SPRING, CONTROL ADJUSTING ...	2	-	-----	VXE1,VXE2,VXE4
10	16611-ZN1-000	ROD, CHOKE CONTROL	1	-	-----	VXE1,VXE2,VXE4
11	16628-ZJ1-850	ROD, CHOKE KNOB	1	-	-----	VXE1,VXE2,VXE4
12	17951-921-030	KNOB, CHOKE	1	-	-----	VXE1,VXE2,VXE4
13	17957-ZV4-000	BUSH, LINKAGE	1	-	-----	VXE1,VXE2,VXE4
14	90014-952-000	BOLT, FLANGE, 6X14(CT200) ...	2	-	-----	VXE1,VXE2,VXE4
15	90015-ZE3-790	BOLT, GOVERNOR ARM	1	-	-----	VXE1,VXE2,VXE4
16	92301-05025-0A	BOLT, RECESSED, 5X25	1	-	-----	VXE1,VXE2,VXE4
17	93500-05035-0A	SCREW, PAN, 5X35	1	-	-----	VXE1,VXE2,VXE4
18	94050-06000	NUT, FLANGE, 6MM	1	-	-----	VXE1,VXE2,VXE4

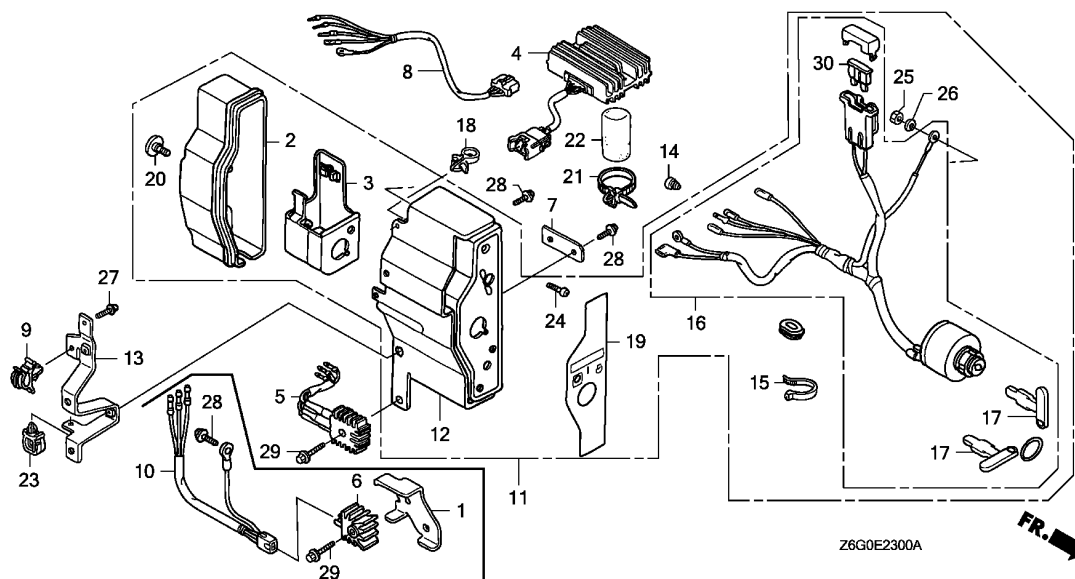
2



Ref. No.	L.O.N.	(Relative ref. Number)	Description	F.R.T.
NO INFORMATION				

Ref. No.	Part No.	Description	Reqd. QTY		Serial No.	Parts catalogue code
			GX 670 U	GX 670 R		
1	36337-ZJ1-840	PLATE, SOLENOID	1	-	----- VXE2,VXE4	
2	36350-ZN1-003	SOLENOID ASSY., ROTARY	1	-	----- VXE2,VXE4	
3	90202-ZJ1-840	NUT, SPECIAL CAP	2	-	----- VXE2,VXE4	
4	90654-SA4-003	CLIP, WIRE HARNESS, 6MM(WHITE)	2	-	----- VXE2,VXE4	
5	90686-459-711	PURSE, LOCK, 8MM	2	-	----- VXE2,VXE4	
6	91402-ZJ1-841	CLIP, PURSE LOCK	1	-	----- VXE2,VXE4	

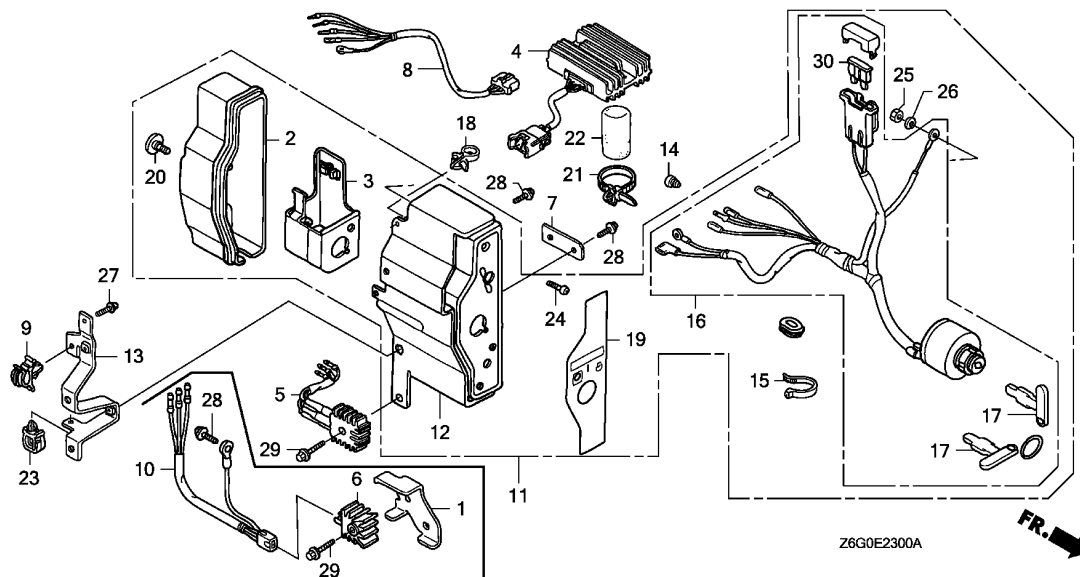
2



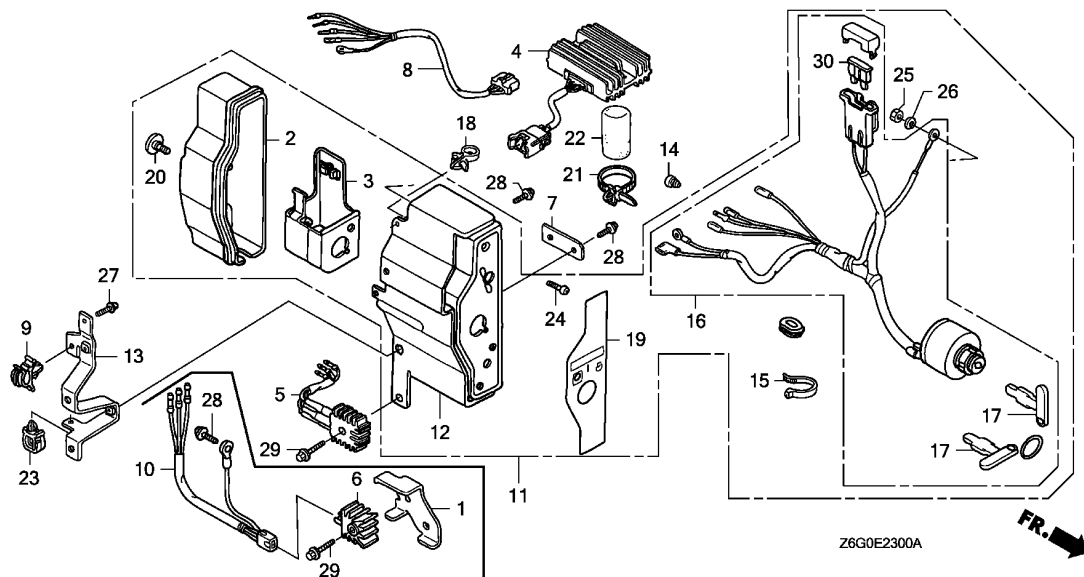
Ref. No.	L.O.N.	(Relative ref. Number) Description	F.R.T.
2	6221A4	CASE, ENGINE CONTROL	0.1
3	6221H0	BRACKET, CASE MOUNTING	0.4
4	6131B7	RECTIFIER, REGULATOR	0.2
5	6221L0	RECTIFIER, CONTROL BOX	0.2
8	6111D3	HARNESS, SUB WIRE	0.2
11	6221N7	BOX, ENGINE CONTROL	0.2
12	6221P7	PANEL, ENGINE CONTROL	0.4
16	6151E1	SWITCH, COMBINATION	0.3
19	6221G9	MARK, CONTROL BOX	0.1
30	8121A7	FUSE, BLADE	0.1

Ref. No.	Part No.	Description	Reqd. QTY		Serial No.	Parts catalogue code
			GX 670 U	GX 670 R		
1	31604-ZJ7-800	BRACKET, REGULATOR RECTIFIER	1	-	-----	VXE4
2	31612-ZE2-003	CASE, CONTROL	1	1	-----	BAF,BXF,BXF5,TAF,TWF6,TXA2,TFX,TFX2,TFX4,TFX5,TFX7,TFX8,TXW,VXE1,VXE2 VXE4
3	31614-ZE2-003	BRACKET, CASE MOUNTING	1	1	-----	BAF,BXF,BXF5,TAF,TWF6,TXA2,TFX,TFX2,TFX4,TFX5,TFX7,TFX8,TXW,VXE1,VXE2 VXE4
4	31620-ZG5-013	RECTIFIER ASSY., REGULATOR (20A)	1	-	-----	1027940 BAF,BDW,BXF,BXF5,BXF9,TAF,TDW,TWF6,TXA2,TFX,TFX2,TFX4,TFX5,TFX7,TFX8 TFX9,TXW,VAB2,VXE1
	31620-ZG5-023	1	-	1027941	BXF9,TWF6
			1	-	1027941	1035999 BAF,BDW,BXF,BXF5,TAF,TDW,TXA2,TFX,TFX2,TFX4,TFX5,TFX7,TFX8,TFX9,TXW VAB2,VXE1
	31620-ZG5-033	1	-	-----	BDWN,TDWN
			1	-	1036000	BAF,BDW,BXF,BXF5,TAF,TDW,TXA2,TFX,TFX2,TFX4,TFX5,TFX7,TFX8,TFX9,TXW VAB2,VXE1
5	31710-ZJ1-811	RECTIFIER ASSY. (10A)	1	-	-----	1031090 VXE2
	31710-ZJ1-812	1	-	1031091	VXE2
6	31750-735-003	RECTIFIER COMP., REGULATOR (5A)	1	-	-----	1031897 VXE4
	31750-735-013	1	-	1031898	VXE4
7	32103-759-000	BRACKET, WIRE HARNESS CLIP ..	1	1	-----	BAF,BXF,BXF5,TAF,TWF6,TXA2,TFX,TFX2,TFX4,TFX5,TFX7,TFX8,TXW,VXE1,VXE2 VXE4
8	32105-ZJ1-800	HARNESS ASSY., SUB WIRE	1	1	-----	BAF,BDW,BDWN,BXF,BXF5,BXF9,TAF,TWF6,TXA2,TFX,TFX2,TFX4,TFX5,TFX7,TFX8 TFX9,TXW,VAB2,VXE1
	32105-ZN1-800	1	1	-----	TDW,TDWN
9	32171-GJ1-003	CLIP, WIRE HARNESS	1	1	-----	BAF,BXF,BXF5,TAF,TWF6,TXA2,TFX,TFX2,TFX4,TFX5,TFX7,TFX8,TXW,VXE1,VXE2 VXE4





Ref. No.	Part No.	Description	Reqd. QTY		Serial No.	Parts catalogue code
			GX 670 U	GX 670 R		
10	32183-ZJ0-890	HARNESS ASSY., REGULATOR RECTIFIER	1	-	-----	VXE4
11	32340-Z6D-831	BOX ASSY., CONTROL	1	-	-----	TWF6
	32340-Z6D-832	1	-	1033401	BAF,BXF,BXF5,TAF,TXA2,TFX,TFX2,TFX4,TFX5,TFX7,TFX8,TXW,VXE1,VXE2,VXE4
		-	1	-----	TAF
12	32345-ZJ1-812	PANEL COMP., CONTROL	1	1	-----	BAF,BXF,BXF5,TAF,TWF6,TXA2,TFX,TFX2,TFX4,TFX5,TFX7,TFX8,TXW,VXE1,VXE2,VXE4
13	32349-ZJ1-840	STAY, CONTROL BOX	1	1	-----	BAF,BXF,BXF5,TAF,TWF6,TXA2,TFX,TFX2,TFX4,TFX5,TFX7,TFX8,TXW,VXE1,VXE2,VXE4
14	32823-ZV5-003	PLUG, INNER CONNECTOR	1	1	-----	BAF,TAF
15	32902-892-003	BAND	1	1	-----	BAF,BXF,BXF5,TAF,TWF6,TXA2,TFX,TFX2,TFX4,TFX5,TFX7,TFX8,TXW,VXE1,VXE2,VXE4
16	35100-ZJ1-841	SWITCH ASSY., COMBINATION	1	-	-----	TWF6
	35100-ZJ1-842	1	-	1033401	BAF,BXF,BXF5,TAF,TXA2,TFX,TFX2,TFX4,TFX5,TFX7,TFX8,TXW,VXE1,VXE2,VXE4
		-	1	-----	TAF
17	35111-880-013	KEY COMP.	2	2	-----	BAF,BXF,BXF5,TAF,TWF6,TXA2,TFX,TFX2,TFX4,TFX5,TFX7,TFX8,TXW,VXE1,VXE2,VXE4
18	36103-ZE1-000	HOLDER, STOP SWITCH CORD	1	1	-----	BAF,BXF,BXF5,TAF,TWF6,TXA2,TFX,TFX2,TFX4,TFX5,TFX7,TFX8,TXW,VXE1,VXE2,VXE4
19	87529-Z4S-820	MARK, CONTROL BOX (EXP)	1	1	-----	BAF,BXF,BXF5,TAF,TWF6,TXA2,TFX,TFX2,TFX4,TFX5,TFX7,TFX8,TXW,VXE1,VXE2,VXE4
20	90380-MA6-010	SCREW, SPECIAL, 6X12	1	1	-----	BAF,BXF,BXF5,TAF,TWF6,TXA2,TFX,TFX2,TFX4,TFX5,TFX7,TFX8,TXW,VXE1,VXE2,VXE4



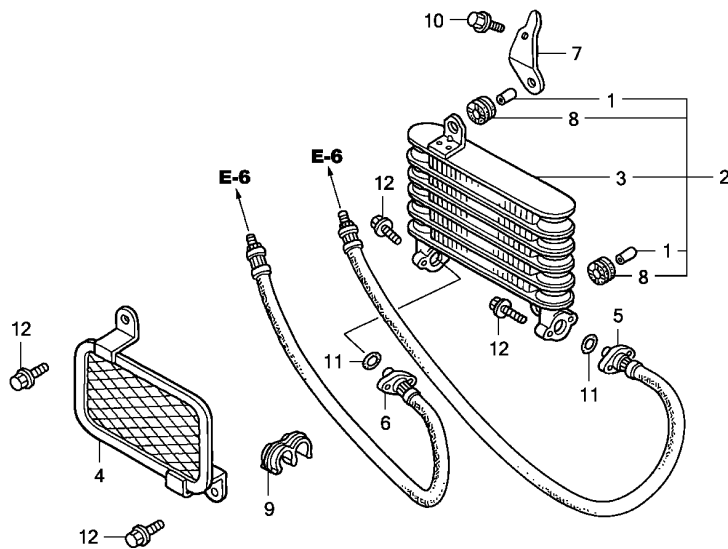
Ref. No.	Part No.	Description	Reqd. QTY		Serial No.	Parts catalogue code
			GX 670 U	GX 670 R		
21	90676-SA8-003	BAND, WIRE HARNESS, 150MM (BLUE)	1	1	-----	BAF, BXF, BXF5, TAF, TWF6, TXA2, TXF, TXF2, TXF4, TXF5, TXF7, TXF8, TXW, VXE1, VXE2, VXE4
22	91408-ZJ1-810	TUBE, CORD, 30MM	1	1	-----	BAF, BXF, BXF5, TAF, TWF6, TXA2, TXF, TXF2, TXF4, TXF5, TXF7, TXF8, TXW, VXE1, VXE2, VXE4
23	91504-750-003	CLIP, WIRE HARNESS (BLACK)	1	1	-----	BAF, BXF, BXF5, TAF, TWF6, TXA2, TXF, TXF2, TXF4, TXF5, TXF7, TXF8, TXW, VXE1, VXE2, VXE4
24	93500-04012-0H	SCREW, PAN, 4X12	1	1	-----	BAF, BXF, BXF5, TAF, TWF6, TXA2, TXF, TXF2, TXF4, TXF5, TXF7, TXF8, TXW, VXE1, VXE2, VXE4
25	94001-04080-0S	NUT, HEX., 4MM	1	-	1007300	BAF, BXF, BXF5, TAF, TWF6, TXA2, TXF, TXF2, TXF4, TXF5, TXF7, TXF8, TXW, VXE1, VXE2, VXE4
	94001-04390-0S		1	-	1007301	BAF, BXF, BXF5, TAF, TWF6, TXA2, TXF, TXF2, TXF4, TXF5, TXF7, TXF8, TXW, VXE1, VXE2, VXE4
			-	1	-----	TAF
26	94111-04800	WASHER, SPRING, 4MM	1	1	-----	BAF, BXF, BXF5, TAF, TWF6, TXA2, TXF, TXF2, TXF4, TXF5, TXF7, TXF8, TXW, VXE1, VXE2, VXE4
27	95701-06010-00	BOLT, FLANGE, 6X10	1	1	-----	BAF, BXF, BXF5, TAF, TWF6, TXA2, TXF, TXF2, TXF4, TXF5, TXF7, TXF8, TXW, VXE1, VXE2, VXE4
28	95701-06012-00	BOLT, FLANGE, 6X12	2	2	-----	BAF, BXF, BXF5, TAF, TWF6, TXA2, TXF, TXF2, TXF4, TXF5, TXF7, TXF8, TXW, VXE1, VXE2, VXE4
			3	-	-----	VXE4
29	95701-06032-00	BOLT, FLANGE, 6X32	1	-	-----	VXE2, VXE4
30	98200-32500	FUSE, BLADE (25A)	1	1	-----	BAF, BXF, BXF5, TAF, TWF6, TXA2, TXF, TXF2, TXF4, TXF5, TXF7, TXF8, TXW, VXE1, VXE2, VXE4



E-24

OIL COOLER

F10

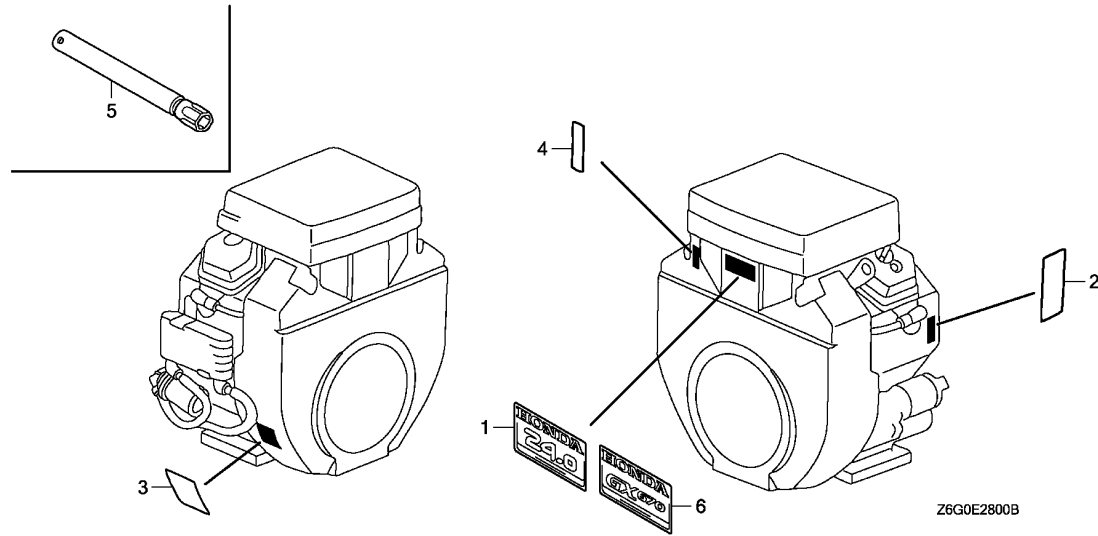


Z6G0E2400A

Ref. No.	L.O.N.	(Relative ref. Number) Description	F.R.T.
2	1131A0	COOLER ASSEMBLY, ENGINE OIL ..	0.3
3	1131A1	COOLER, ENGINE OIL	0.3
4	1131A5	GRILLE, OIL COOLER	0.1
5	1131A6	HOSE A, OIL COOLER	0.2
6	1131A7	HOSE B, OIL COOLER	0.2
8	1131B8	RUBBER, OIL COOLER MOUNTING ..	0.1

.NOTE: Same time for two units

Ref. No.	Part No.	Description	Reqd. QTY		Serial No.	Parts catalogue code
			GX 670 U	GX 670 R		
1	11513-MN5-300	COLLAR, 12MM	2	2		
2	15605-ZN1-000	COOLER ASSY., OIL	1	1		
3	15610-ZN1-000	COOLER COMP., OIL	1	1		
4	15613-ZN1-000	GRILLE, OIL COOLER	1	1		
5	15614-ZN1-003	HOSE A, OIL	1	1		
6	15616-ZN1-003	HOSE B, OIL	1	1		
7	15676-ZN1-000	STAY, OIL COOLER	1	1		
8	19051-KA3-830	RUBBER, RADIATOR MOUNTING ...	2	2		
9	19314-PH6-000	CLAMP, HOSE (D13.5)	1	1		
10	90014-952-000	BOLT, FLANGE, 6X14(CT200) ...	1	1		
11	91314-ME5-003	O-RING, 10X2.6(ARAI)	2	2		
12	95701-06022-00	BOLT, FLANGE, 6X22	6	6		

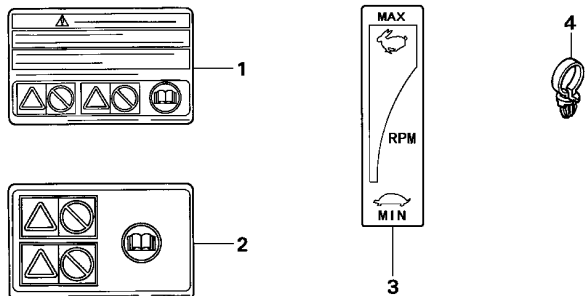


Ref. L.O.N. (Relative ref. Number) F.R.T.
No. Description

NO INFORMATION

Ref. No.	Part No.	Description	Reqd. QTY		Serial No.	Parts catalogue code
			GX 670 U	GX 670 R		
1	87101-ZN1-010	EMBLEM (24.0)	1	-	1029312	BAF,BDW,BXF,BXF5,BXF9,TAF,TDW,TWF6,TXA2,TF,TF2,TF4,TF5,TF7,TF8 TXF9,TXW,VAB2,VXE1,VXE2,VXE4
2	87152-ZN1-010	LABEL, SPECIFICATION (GX670)	1	-		BAF,BDW,BXF,BXF5,BXF9,TAF,TDW,TWF6,TXA2,TF,TF2,TF4,TF5,TF7,TF8 TXF9,TXW,VAB2,VXE1,VXE2,VXE4
3	87516-ZH7-000	MARK, OPERATOR CAUTION (ENGLISH)(MADE IN JAPAN)	1	1		BAF,BDW,BDWN,BXF,BXF5,BXF9,TAF,TWF6,TXA2,TF,TF2,TF4,TF5,TF7,TF8 TXF9,TXW,VAB2,VXE1,VXE2,VXE4
	87516-ZH7-810	MARK, OPERATOR CAUTION (PICTOGRAPH)(MADE IN JAPAN)	(1)	(1)		BAF,BDW,BDWN,BXF,BXF5,BXF9,TAF,TWF6,TXA2,TF,TF2,TF4,TF5,TF7,TF8 TXF9,TXW,VAB2,VXE1,VXE2,VXE4
4	87532-ZH7-800	MARK, THROTTLE INDICATION ...	1	1		BAF,BXF,TAF,TWF6,TXA2,TF,TF2,TF4,TF7,TF8,TXW
5	89218-ZE1-000	WRENCH COMP., SPARK PLUG	1	-	1004035	VAB2,VXE4 BXF5,BXF9,TF4,TF5,TF9
6	87101-ZN1-020	EMBLEM (GX670)	1	-	1029313	BDWN,TDWN BAF,BDW,BXF,BXF5,BXF9,TAF,TDW,TWF6,TXA2,TF,TF2,TF4,TF5,TF7,TF8 TXF9,TXW,VAB2,VXE1,VXE2,VXE4
			-	1		





Z6G0-E4000

Ref. L.O.N. (Relative ref. Number) F.R.T.
No. Description

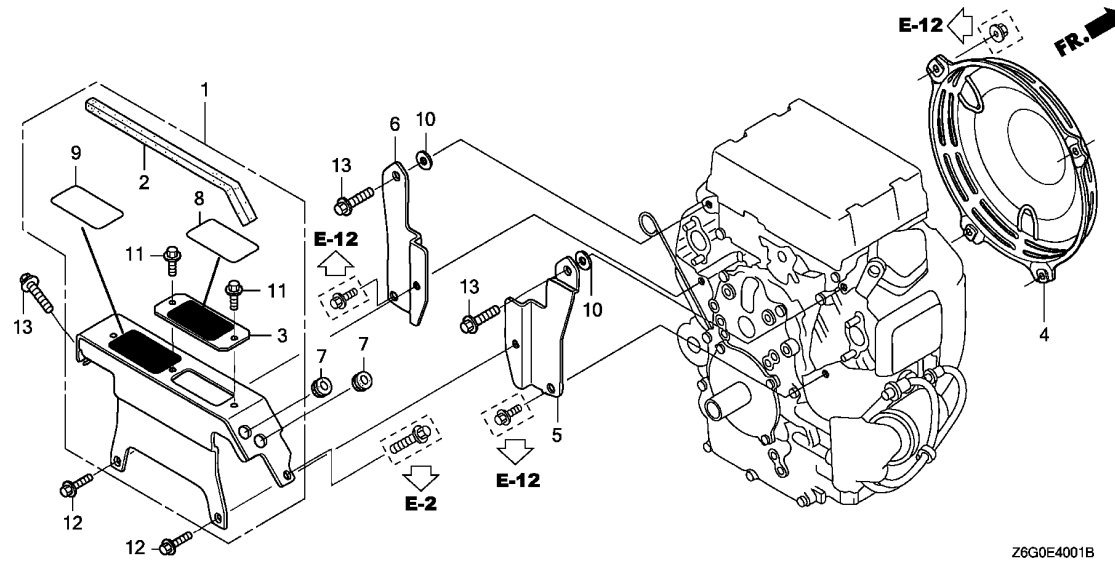
NO INFORMATION

Ref. No.	Part No.	Description	Reqd. QTY		Serial No.	Parts catalogue code
			GX 670 U	GX 670 R		
1	87516-ZH7-000	MARK, OPERATOR CAUTION (ENGLISH)(MADE IN JAPAN)	1	1	-----	TDW,TDWN
	87516-ZH7-800	MARK, OPERATOR CAUTION (FRENCH)(MADE IN JAPAN)	1	1	-----	
2	87516-ZH7-810	MARK, OPERATOR CAUTION (PICTOGRAPH)(MADE IN JAPAN)	(1)	(1)	-----	TDW,TDWN
3	87532-ZH7-800	MARK, THROTTLE INDICATION ...	1	1	-----	TDW,TDWN
4	90617-SA0-003	CLIP, WIRE HARNESS	1	-	-----	VAB2

E-40-1

OTHER PARTS(CONTROL COVER)

F13



Ref. No.	L.O.N.	(Relative ref. Number) Description	F.R.T.
1	8101C6	COVER, THROTTLE/GOVERNOR CONTROL	0.3
4	4141C9	PROTECTOR, FAN COVER	0.1
5	1101G7	BRACKET, ENGINE SHROUD :RIGHT	0.2
6	1101G8	BRACKET, ENGINE SHROUD :LEFT	0.2

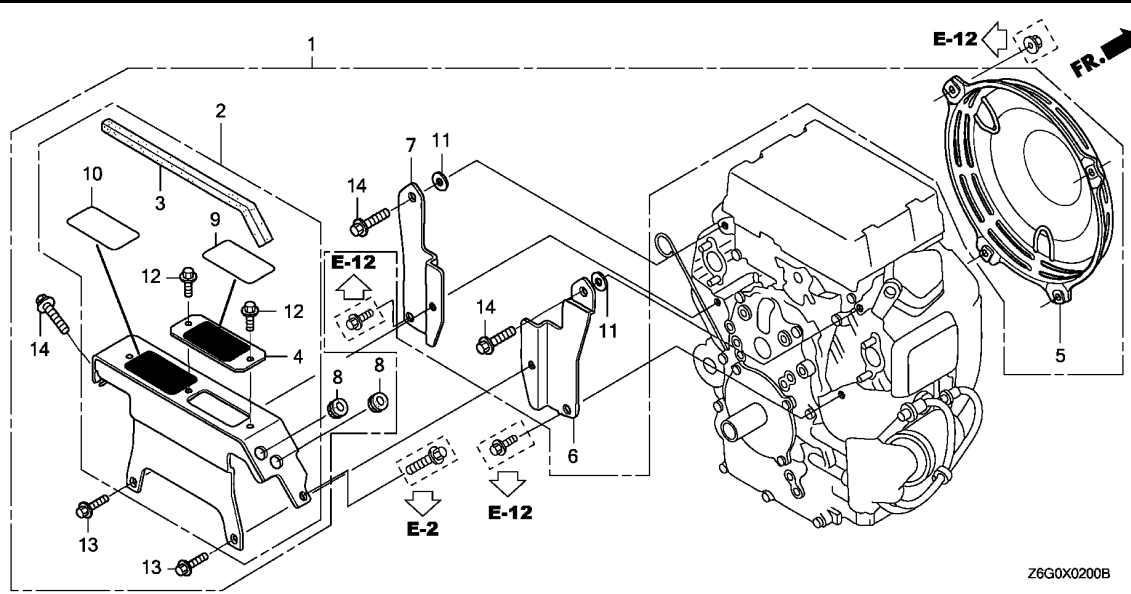
Ref. No.	Part No.	Description	Reqd. QTY		Serial No.	Parts catalogue code
			GX 670 U	GX 670 R		
1	16590-ZJ1-800	COVER ASSY., CONTROL	1	-	-----	TWF6
2	16593-ZJ1-800	SEAL, CONTROL COVER	1	-	-----	TWF6
3	16594-ZJ1-800	COVER B, CONTROL	1	-	-----	TWF6
4	19621-ZJ1-811	PROTECTOR, FAN COVER	1	-	-----	TWF6
5	19636-ZJ1-800	BRACKET COMP., R. SHROUD	1	-	-----	TWF6
6	19637-ZJ1-800	BRACKET COMP., L. SHROUD	1	-	-----	TWF6
7	77228-340-003	RUBBER, SEAT LOCK BAR CUSHION	2	-	-----	TWF6
8	87538-ZJ1-800	LABEL, OPERATOR NOTICE (E) ..	1	-	-----	TWF6
9	87538-ZJ1-810	LABEL, OPERATOR NOTICE (F) ..	1	-	-----	TWF6
10	90501-399-880	WASHER, PLAIN, 8MM	2	-	-----	TWF6
11	95701-06012-00	BOLT, FLANGE, 6X12	2	-	-----	TWF6
12	95701-06016-00	BOLT, FLANGE, 6X16	2	-	-----	TWF6
13	95701-08020-00	BOLT, FLANGE, 8X20	3	-	-----	TWF6

2

EOP-2

WINTER KIT

F14



Ref. No.	L.O.N.	(Relative ref. Number) Description	F.R.T.
1	8101R6	KIT, WINTER	0.3
2	8101C6	COVER, THROTTLE/GOVERNOR CONTROL	0.3
5	4141C9	PROTECTOR, FAN COVER	0.1
6	1101G7	BRACKET, ENGINE SHROUD :RIGHT	0.2
7	1101G8	BRACKET, ENGINE SHROUD :LEFT	0.2

2

Ref. No.	Part No.	Description	Reqd. QTY		Serial No.	Parts catalogue code
			GX 670 U	GX 670 R		
1	06192-ZJ1-800	KIT, WINTER	(1)	-	-----	TWF6
2	16590-ZJ1-800	COVER ASSY., CONTROL	(1)	-	-----	TWF6
3	16593-ZJ1-800	SEAL, CONTROL COVER	(1)	-	-----	TWF6
4	16594-ZJ1-800	COVER B, CONTROL	(1)	-	-----	TWF6
5	19621-ZJ1-811	PROTECTOR, FAN COVER	(1)	-	-----	TWF6
6	19636-ZJ1-800	BRACKET COMP., R. SHROUD	(1)	-	-----	TWF6
7	19637-ZJ1-800	BRACKET COMP., L. SHROUD	(1)	-	-----	TWF6
8	77228-340-003	RUBBER, SEAT LOCK BAR CUSHION	(2)	-	-----	TWF6
9	87538-ZJ1-800	LABEL, OPERATOR NOTICE (E) ..	(1)	-	-----	TWF6
10	87538-ZJ1-810	LABEL, OPERATOR NOTICE (F) ..	(1)	-	-----	TWF6
11	90501-399-880	WASHER, PLAIN, 8MM	(2)	-	-----	TWF6
12	95701-06012-00	BOLT, FLANGE, 6X12	(2)	-	-----	TWF6
13	95701-06016-00	BOLT, FLANGE, 6X16	(2)	-	-----	TWF6
14	95701-08020-00	BOLT, FLANGE, 8X20	(3)	-	-----	TWF6

PART NO. INDEX

G 1

Part Number	Address	Page	Ref.	Part Number	Address	Page	Ref.	Part Number	Address	Page	Ref.	Part Number	Address	Page	Ref.				
06000				14000				16100-ZN1-822				16594-ZJ1-800				17410-ZN1-000			
06192-ZJ1-800	F14	64	1	14100-Z6D-V40	D10	28	2	16100-ZN1-U41	E2	36	10	16599-ZG1-M10	F13	63	3	17418-ZN1-000	E3	37	21
11000				14100-ZJ1-842	D10	28	2	16100-ZN1-U42	E2	36	10	F14	64	4	17850-ZJ1-850	E6	40	16	
11300-ZJ1-842	D5	23	1	14410-ZJ1-840	D10	28	3	16126-ZJ1-841	E3	37	33	F1	51	13	17951-921-030	F1	51	16	
11300-ZJ1-843	D5	23	1	14431-ZE2-010	D10	28	4	16140-ZN1-004	E3	37	34	F3	53	13	F3	53	17		
11381-ZJ1-840	D5	23	2	14451-ZE1-013	D10	28	5	16148-141-881	E2	36	11	F1	51	14	F5	55	12		
11513-MN5-300	F10	60	1	14568-Z6D-V40	D10	28	6	16166-ZN1-801	E2	36	12	F5	55	10	F5	55	18		
11911-ZJ1-840	D1	19	1	14568-ZJ1-841	D10	28	6	16178-ZN1-801	E2	36	13	F3	53	15	F3	53	18		
12000				14576-ZJ1-840	D10	28	7	16198-ZJ1-840	E2	36	14	F1	51	15	F5	55	13		
12000-ZN1-405	D3	21	1	14711-ZE3-000	D10	28	8	16200-ZN1-801	E2	36	15	F3	53	16	18000				
12000-ZN1-406	D3	21	1	14721-ZE3-000	D10	28	9	16211-ZN1-000	E3	37	16	F5	55	11	18310-ZN1-003				
12000-ZN1-415	D3	21	1	14730-ZJ1-841	D10	28	10	16221-ZN1-000	E3	37	17	E10	44	1	E8	42	1		
12000-ZN1-416	D3	21	1	14730-ZJ1-842	D10	28	10	F1	51	1	16711-ZJ1-840	E10	44	2	E9	43	1		
12105-ZA0-701	D5	23	3	14751-ZE2-003	D10	28	11	F3	53	1	16715-ZJ1-840	D16	34	1	E8	42	2		
12204-ZE2-306	D1	19	2	14760-ZJ1-840	D10	28	12	F5	55	1	16715-ZJ1-850	D16	34	2	E9	43	2		
12205-ZJ1-405	D1	19	3	14764-ZJ1-840	D10	28	13	F1	51	2	16851-Z6G-003	E10	44	3	E8	42	3		
12209-ZE8-003	D10	28	1	14771-ZE2-000	D11	29	14	F3	53	3	16851-ZN1-000	E10	44	3	E8	42	3		
12210-ZJ1-406	D1	19	4	14773-ZE2-000	D11	29	15	F5	55	2	16852-Z6C-841	E10	44	4	E9	43	3		
12216-ZE2-300	D1	19	5	14775-ZE2-010	D11	29	16	F5	55	2	16852-Z6C-851	E10	44	4	E8	42	4		
12220-ZJ1-405	D1	19	6	14781-ZE2-000	D11	29	17	D6	24	13	16852-ZJ1-840	E10	44	4	E9	43	4		
12251-ZJ1-841	D1	19	7	14791-ZE2-010	D11	29	18	D6	24	14	16852-ZJ1-850	E10	44	4	19000				
12311-ZJ1-840	D1	19	8	15000				D6	24	15	16855-Z6C-841	E11	45	21	19051-KA3-830				
12314-ZJ1-840	D1	19	9	15120-ZJ1-000	D5	23	4	D6	24	16	16855-Z6C-851	E11	45	21	F10	60	8		
12356-ZJ1-000	D3	21	2	15120-ZJ1-010	D5	23	4	F1	51	3	E10	44	5	E6	40	17			
12357-ZJ1-840	E2	36	1	15124-ZJ1-003	D5	23	5	F3	53	4	E10	44	6	E6	40	17			
12358-ZJ1-000	D3	21	3	15232-ZJ1-000	D5	23	6	F5	55	3	17000				F10	60	9		
12372-ZE2-300	D3	21	4	15348-ZJ1-840	D5	23	7	F1	51	3	17101-ZN1-000	D1	19	13	E12	46	1		
12391-ZE2-020	D1	19	10	15400-ZJ1-004	D5	23	8	F5	55	3	17103-ZN1-010	E3	37	18	E12	46	2		
13000				15411-ZN1-000	D5	23	9	D3	21	6	17151-ZJ1-841	D1	19	14	D16	34	3		
13010-Z5H-004	D8	26	1	15427-ZJ1-000	D5	23	10	F1	51	4	17207-ZJ1-840	E6	40	1	D16	34	4		
13010-ZJ1-841	D8	26	1	15558-ZJ1-003	D3	21	5	F3	53	5	17208-ZJ1-840	E6	40	2	D16	34	4		
13011-Z5H-004	D8	26	1	15605-ZN1-000	F10	60	2	F5	55	5	17209-ZJ1-840	E6	40	3	D16	34	5		
13011-ZJ1-841	D8	26	1	15610-ZN1-000	F10	60	3	F5	55	5	17210-ZJ1-842	E6	40	3	D16	34	5		
13012-Z5H-004	D8	26	1	15611-MB0-000	D1	19	11	F1	51	5	17210-759-013	E6	40	4	D16	34	6		
13012-ZJ1-841	D8	26	1	15613-ZN1-000	F10	60	4	F3	53	6	17210-ZJ1-840	E4	38	1	D16	34	7		
13013-Z5H-004	D9	27	1	15614-ZN1-003	F10	60	5	F5	55	6	17218-ZJ1-840	E4	38	2	D16	34	7		
13013-ZJ1-841	D8	26	1	15616-ZN1-003	F10	60	6	F5	55	7	17219-ZJ1-840	E4	38	3	F13	63	4		
13101-ZN1-000	D9	27	2	15625-ZJ1-840	D1	19	12	F5	55	7	17220-Z6G-000	E4	38	4	F14	64	5		
13101-ZN1-010	D9	27	2	15655-ZJ1-861	D5	23	11	F5	55	7	17220-ZJ1-850	E6	40	5	F13	63	4		
13102-ZN1-000	D9	27	2	15676-ZN1-000	F10	60	7	F5	55	7	17220-ZN1-000	E4	38	4	E12	46	5		
13102-ZN1-010	D9	27	2	15772-551-000	E2	36	2	F5	55	8	17222-ZJ1-850	E6	40	6	D16	34	8		
13103-ZN1-000	D9	27	2	16000				F3	53	8	17224-ZJ1-850	E6	40	7	D16	34	8		
13103-ZN1-010	D9	27	2	16010-ZN1-801	E2	36	3	F5	55	8	17228-ZN1-000	E3	37	19	E1	35	9		
13103-ZN1-010	D9	27	2	16011-ZN1-801	E2	36	4	F5	55	8	17229-ZN1-000	E4	38	5	F13	63	6		
13104-ZN1-000	D9	27	2	16013-ZN1-801	E2	36	5	F5	55	8	E6	40	8	F14	64	7			
13104-ZN1-010	D9	27	2	16015-ZN1-801	E2	36	6	F5	55	8	E6	40	9	D1	19	16			
13111-ZJ1-840	D9	27	3	16016-ZN1-801	E2	36	7	F5	55	9	E6	40	9	25000					
13200-ZN1-003	D9	27	4	16024-124-760	E2	36	8	F5	55	9	E6	40	10	25523-VD6-010					
13310-ZN1-000	D7	25	2	16028-ZN1-801	E2	36	9	F5	55	9	E4	38	7	D3	21	7			
13310-ZN1-800	D7	25	3	16016-ZN1-801	E2	36	7	F3	53	10	E4	38	8	28000					
13310-ZN1-810	D7	25	4	16024-124-760	E2	36	8	F3	53	10	E6	40	11	28452-ZJ1-801					
13310-ZN1-U40	D7	25	1	16028-ZN1-801	E2	36	9	F3	53	10	E6	40	12	E12	46	3			
				16100-ZN1-801	E2	36	10	F3	53	11	E6	40	13	E12	46	3			
				16100-ZN1-802	E2	36	10	F3	53	11	E6	40	14	E12	46	3			
				16100-ZN1-812	E2	36	10	F14	64	3	E6	40	14	E12	46	4			
				16100-ZN1-813	E2	36	10	F3	53	12	E6	40	15	28454-ZJ1-801					
				16100-ZN1-821	E2	36	10	F3	53	12	E6	40	15	28454-ZJ1-801					

3

PART NO. INDEX

G 3

Part Number	Address	Page	Ref.	Part Number	Address	Page	Ref.	Part Number	Address	Page	Ref.	Part Number	Address	Page	Ref.
95701-06065-00	E3	37	28												
95701-06075-09	D4	22	25												
95701-08014-00	E8	42	7												
	E9	43	7												
95701-08016-00	E12	46	10												
95701-08020-00	D2	20	23												
	E7	41	27												
	E8	42	8												
	E9	43	8												
	F13	63	13												
	F14	64	14												
95701-08050-00	D6	24	26												
95701-08110-00	E16	50	22												
95701-10080-00	D2	20	24												
95801-06090-08	E3	37	29												
96000															
96140-60030-10	D4	22	26												
96211-12000	D6	24	27												
96600-06016-00	D6	24	28												
98000															
98079-52876	D2	20	25												
98079-5485V	D2	20	25												
98079-5487V	D2	20	25												
98079-5585V	D2	20	25												
98079-5587V	D2	20	25												
98200-32500	F9	59	30												
99000															
99101-ZH8-0850	E3	37	30												
99101-ZH8-0880	E3	37	30												
			31												
99101-ZH8-0900	E3	37	30												
			31												
99101-ZH8-0920	E3	37	30												
			31												
99101-ZH8-0950	E3	37	30												
			31												
99101-ZH8-0980	E3	37	30												
			31												
99101-ZH8-1000	E3	37	30												
			31												
99101-ZH8-1020	E3	37	31												
99204-ZE2-0380	E3	37	32												
99204-ZE2-0400	E3	37	32												

3

PART NAME INDEX

H 2

Part name	Address	Page	Ref.	Part name	Address	Page	Ref.	Part name	Address	Page	Ref.
COVER ASSY., CRANKCASE	D5	23	1	GROMMET, HIGH TENSION CORD	E13	47	2	LABEL, OPERATOR NOTICE	F14	64	9
COVER ASSY., OIL PUMP	D5	23	4	GROMMET, PUMP STAY	E10	44	10	LABEL, SPECIFICATION	F11	61	2
COVER B, CONTROL	F13	63	3	GROMMET, RESERVE TANK	E6	40	17	LEVER ASSY., THROTTLE	F1	51	16
	F14	64	4		E10	44	7	LEVER, PINION DRIVE	E15	49	4
COVER COMP., AIR CLEANER	E6	40	9	GUIDE, EX. VALVE	D1	19	3	LIFTER ASSY., VALVE	D10	28	10
COVER, BREATHER	D3	21	2	GUIDE, IN. VALVE	D1	19	2				
COVER, FAN	D16	34	3								
			4	[H]				[M]			
COVER, FUEL PUMP	D16	34	1	HANGER, ENGINE	D1	19	1	MANIFOLD, INTAKE	D1	19	13
			2	HARNES ASSY., REGULATOR				MARK, CONTROL BOX	F8	58	19
COVER, HEAD	D1	19	8					MARK, OPERATOR CAUTION	F11	61	3
COVER, HEAD FILLER	D1	19	9						F12	62	1
COVER, OIL FILTER	D5	23	7	HARNES ASSY., SUB WIRE	F8	58	10				
COVER, TERMINAL	E16	50	17	HEAD COMP., CYLINDER	D1	19	4	MARK, THROTTLE INDICATION	F11	61	4
CRANKSHAFT COMP.	D7	25	1						F12	62	3
			2	HOLDER COMP., AIR CLEANER				MOTOR ASSY., STARTER	E15	49	3
			3					MUFFLER COMP.	E8	42	1
			4	HOLDER COMP., AIR CLEANER					E9	43	1
[D]				HOLDER, BRUSH	E15	49	15				
DIODE ASSY., ENGINE STOP	E13	47	7	HOLDER, CABLE	F3	53	9	[N]			
	E14	48	7					NOZZLE, MAIN	E2	36	12
DOWEL PIN, 10X12	E16	50	21	HOLDER, GOVERNOR WEIGHT	D6	24	14	NUT, FLANGE, 10MM	D4	22	21
DOWEL PIN, 12X20	D1	19	22	HOLDER, OIL FILTER	D6	24	18	NUT, FLANGE, 20MM	E12	46	6
DOWEL PIN, 8X12	D11	29	24	HOLDER, SCREEN GRID	E12	46	4	NUT, FLANGE, 5MM	E1	35	18
DOWEL PIN, 8X14	D6	24	24	HOLDER, STOP SWITCH CORD	F8	58	18	NUT, FLANGE, 6MM	E1	35	19
				HOLDER, WIRE	F3	53	12		F2	52	25
				HOSE A, OIL	F10	60	5		F4	54	27
				HOSE B, OIL	F10	60	6		F5	55	18
[E]								NUT, FLANGE, 8MM	D1	19	21
ELBOW COMP., AIR CLEANER	E3	37	21	[I]				NUT, HEX.	E15	49	14
ELBOW, MANIFOLD	E3	37	18	INSULATOR, BRUSH HOLDER	E15	49	16	NUT, HEX., 4MM	F9	59	25
ELEMENT COMP., AIR CLEANER ...	E4	38	1	INSULATOR, CARBURETOR	E3	37	16	NUT, HEX., 8MM	E15	49	13
	E6	40	4						E16	50	19
EMBLEM	F11	61	1	[J]				NUT, INSERT, 6MM	E3	37	22
			6	JET SET, PILOT,	E3	37	32	NUT, PIVOT ADJUSTING	D11	29	21
				JET, MAIN,	E3	37	30	NUT, SELF-LOCK, 6MM	F1	51	22
								NUT, SPECIAL CAP	F6	56	3
FAN, COOLING	E12	46	1	JOINT B, CONNECTING TUBE	E6	40	16	NUT, SQUARE, 5MM	E1	35	16
FILTER ASSY., AIR VENT	E3	37	34	JOINT, ROD	F1	51	1	NUT, WING, 6MM	E6	40	20
FILTER, OUTER	E4	38	2		F3	53	1				
FLOAT SET	E2	36	5		F5	55	1	[O]			
FLYWHEEL COMP.	E12	46	5					OIL SEAL, 38X58X9	D4	22	17
FUSE, BLADE	F9	59	30						D6	24	21
								OIL SEAL, 8X14X5	D4	22	16
[G]				[K]				O-RING, 10X2.6	F10	60	11
GASKET SET	E2	36	3	KEY COMP.	F8	58	17	O-RING, 11.8X2.4	D6	24	22
GASKET, CASE COVER	D5	23	2	KEY, 6.3X6.3X43	D7	25	6	O-RING, 13X3.0	D4	22	18
GASKET, CYLINDER HEAD	D1	19	7	KEY, SPECIAL WOODRUFF, 25X18 ..	E12	46	8	O-RING, 14MM	D4	22	19
GASKET, EX. PIPE	D1	19	15	KIT, WINTER	F14	64	1				
GASKET, INTAKE MANIFOLD	D1	19	14	KNOB, CHOKE	F1	51	17				
GAUGE COMP., OIL LEVEL	D5	23	11		F3	53	17				
GOVERNOR ASSY.	D5	23	12		F5	55	12	[P]			
GRID, SCREEN	E12	46	3					PACKING, AIR CLEANER	E3	37	19
GRILLE, OIL COOLER	F10	60	4	[L]				PACKING, BREATHER COVER	D3	21	3
GROMMET	E6	40	18	LABEL, OPERATOR NOTICE	F13	63	8	PACKING, CARBURETOR	E3	37	17
GROMMET, AIR CLEANER	E6	40	10					PACKING, HEAD COVER	D1	19	10
								PACKING, OIL FILLER CAP	D1	19	12

PART NAME INDEX

H 3

Part name	Address	Page	Ref.	Part name	Address	Page	Ref.	Part name	Address	Page	Ref.
PANEL COMP., CONTROL	F8	58	12	SCREW-WASHER, 6X16	E10	44	11	SWITCH ASSY., MAGNET	E15	49	5
PIN, DECOMP.	D10	28	7	SCREW SET, DRAIN	E2	36	8	SWITCH ASSY., OIL LEVEL	D3	21	9
PIN, GOVERNOR WEIGHT	D6	24	15	SCREW SET, PILOT	E2	36	7	SWITCH ASSY., OIL PRESSURE	D3	21	10
PIN, LOCK, 10MM	F2	52	26	SCREW SET, THROTTLE	E2	36	9	SWITCH, OIL PRESSURE	D3	21	10
PIN, LOCK, 8MM	D4	22	24	SCREW,	E8	42	5				
PIN, PISTON	D9	27	3		E9	43	5	[T]			
PIN, SPRING, 6X28	D11	29	26	SCREW, PAN, 4X12	E3	37	25	TUBE B, FUEL	E10	44	4
PISTON	D9	27	2		F9	59	24	TUBE COMP. B, FUEL	E11	45	21
PIVOT, ROCKER ARM	D10	28	5	SCREW, PAN, 5X25	F2	52	24	TUBE, AIR CLEANER CONNECTING	E6	40	12
PLATE, AIR CLEANER SETTING	E4	38	8		F4	54	26	TUBE, BREATHER	E2	36	1
PLATE, COOLING FAN SETTING	E12	46	2	SCREW, PAN, 5X35	F5	55	17	TUBE, CORD, 30MM	F9	59	22
PLATE, PUSH ROD GUIDE	D11	29	18	SCREW, RECESSED, 5X25	F1	51	21	TUBE, DIAPHRAGM	E10	44	5
PLATE, SIDE	D16	34	5		F4	54	21	TUBE, DRAIN	E2	36	14
			6	SCREW, SPECIAL, 6X12	F8	58	20	TUBE, FUEL	E10	44	3
PLATE, SOLENOID	F6	56	1	SCREW, TAPPING, 5X20	E1	35	17	TUBE, VINYL, 9X11X150	E11	45	16
PLUG, INNER CONNECTOR	F8	58	14	SEAL, AIR CLEANER	E6	40	13				
PLUG, SPARK	D2	20	25	SEAL, AIR CLEANER CASE	E4	38	5	[V]			
PROTECTOR, FAN COVER	D16	34	7		E6	40	8	VALVE ASSY., SOLENOID	E2	36	15
	F13	63	4	SEAL, AIR CLEANER COVER	E4	38	7	VALVE SET, FLOAT	E2	36	4
	F14	64	5	SEAL, CONTROL COVER	F13	63	2	VALVE, BREATHER	D3	21	4
PROTECTOR, MUFFLER	E8	42	2		F14	64	3	VALVE, EX.	D10	28	9
	E9	43	2	SEAL, VALVE STEM	D10	28	16	VALVE, IN.	D10	28	8
PUMP ASSY., FUEL	E10	44	1	SEAT, VALVE SPRING	D11	29	16	VALVE, OIL SHUT-OFF	D3	21	5
PURSE, LOCK, 8MM	F6	56	5	SEAT, VALVE SPRING	D11	29	16				
				SHAFT COMP., VALVE LIFTER	D10	28	12	[W]			
[R]				SHAFT, GOVERNOR ARM	D3	21	6	WASHER COMP., HEAD COVER	D1	19	20
				SHROUD	D16	34	8	WASHER, 20MM	E12	46	7
					E1	35	9	WASHER, 6X16	D6	24	19
RECTIFIER ASSY.	F7	57	5	SHROUD, HEAD	D1	19	16	WASHER, AIR CLEANER	E7	41	21
RECTIFIER ASSY., REGULATOR	F7	57	4	SLIDER, GOVERNOR	D6	24	16	WASHER, CONTROL ARM	F1	51	10
RECTIFIER COMP., REGULATOR	F7	57	6	SOLENOID ASSY., ROTARY	F6	56	2	WASHER, CRANKSHAFT THRUST	D7	25	5
RETAINER, EX. VALVE SPRING	D11	29	15	SPACER, CONTROL LEVER	F1	51	11	WASHER, DRAIN PLUG, 14MM	D4	22	23
RETAINER, IN. VALVE SPRING	D11	29	14	SPRING, BRUSH	E15	49	9	WASHER, PLAIN	E2	36	13
RING SET, PISTON	D8	26	1	SPRING, CABLE RETURN	F3	53	11	WASHER, PLAIN, 6MM	D6	24	23
	D9	27	1	SPRING, CONTROL ADJUSTING	F1	51	12		D11	29	25
RING, SNAP	E15	49	1		F3	53	10	WASHER, PLAIN, 8MM	D4	22	22
ROD ASSY., CONNECTING	D9	27	4	SPRING, GOVERNOR	F1	51	6		F13	63	10
ROD, CHOKE CONTROL	F1	51	14		F3	53	7	WASHER, SPRING, 4MM	F9	59	26
	F3	53	14		F5	55	9	WASHER, SPRING, 8MM	E16	50	20
	F5	55	10	SPRING, LEVER	F1	51	9	WASHER, THRUST, 17.2MM	D11	29	22
ROD, CHOKE KNOB	F1	51	15	SPRING, RELIEF VALVE	D5	23	6	WEIGHT, GOVERNOR	D6	24	13
	F3	53	16	SPRING, STARTER	F1	51	3	WRENCH COMP., SPARK PLUG	F11	61	5
	F5	55	11		F3	53	4				
ROD, GOVERNOR	F1	51	5	SPRING, THROTTLE RETURN	F1	51	7	[Y]			
	F3	53	6		F3	53	8	YOKE COMP.	E15	49	12
	F5	55	6	SPRING, VALVE	D10	28	11				
ROD, PUSH	D10	28	3	SPRING, VALVE LIFTER	D10	28	13				
ROTATOR, VALVE	D11	29	17	SPRING, WEIGHT RETURN	D10	28	6				
ROTOR, OIL PUMP OUTER	D5	23	5	STAY COMP. A, AIR CLEANER	E6	40	6				
RUBBER, AIR CLEANER HOLDER				STAY COMP. B, AIR CLEANER	E6	40	7				
UPPER	E6	40	1	STAY, CONTROL BOX	F8	58	13				
RUBBER, RADIATOR MOUNTING	F10	60	8	STAY, FUEL PUMP	E10	44	2				
RUBBER, RR. FENDER CUSHION	E1	35	12	STAY, MUFFLER	E8	42	3				
RUBBER, SEAT LOCK BAR CUSHION	F13	63	7		E9	43	3				
	F14	64	8	STAY, OIL COOLER	F10	60	7				
[S]				STRAINER COMP., FUEL	E10	44	6				
SCREEN, OIL FILTER	D5	23	10	SWITCH ASSY., COMBINATION	F8	58	16				
SCREW-WASHER, 4X8	D3	21	11								

1

FOREWORD INDEX

2

ENGINE GROUP

3

PART NUMBER INDEX

4

PART NAME INDEX

HONDA
The Power of Dreams

February 01, 2008



PARTS CATALOGUE NEWS

Honda Motor Co., Ltd. Service Division

PARTS CATALOGUE - CORRECTED

Printed in Japan

CODE NO.	13Z6G602
PARTS CATALOGUE NEWS	GX670U GX670R
NEWS NO.	001

Block No.	Ref. No.	Note	Part No.	Description	Reqd. QTY		Serial No.	Parts catalogue code
					GX 670 U	GX 670 R		
E-15-1	7	E	17224-ZJ1-850	*PARTS NO. DELETION				
		D	17224-ZJ1-852	STAY COMP. B, AIR CLEANER (SNORKEL)	1	-	-----	TXA2

NOTE A:PART NO. CHANGE D:NEWLY PROVIDED E:PART NO.DELETION K:REQUIRED NO. CORRECTION L:APPLICATION SERIAL NO. CORRECTION
T:APPLICATION CORRECTION Z:REMARKS CHANGE



PARTS CATALOGUE NEWS

Honda Motor Co., Ltd. Service Division

PARTS CATALOGUE - CORRECTED

Printed in Japan

CODE NO.	13Z6G602
PARTS CATALOGUE NEWS	GX670U GX670R
NEWS NO.	002

Block No.	Ref. No.	Note	Part No.	Description	Reqd. QTY		Serial No.	Parts catalogue code
					GX 670 U	GX 670 R		
E-15	4	L	17220-ZN1-000	CASE COMP., AIR CLEANER	1	-	----- 1037871	BAF, BDW, BXF, BXF5, BXF9, TAF, TDW, TWF6, TXF, TXF2, TXF4, TXF5 TXF7, TXF8, TXF9, TXW, VXE1, VXE2, VXE4
			17220-Z6G-000	1	-	-----	BDWN, TDWN
	12	T	90634-ZL8-H00	CAP, SEALING	1	-	1037872	BAF, BDW, BXF, BXF5, BXF9, TAF, TDW, TWF6, TXF, TXF2, TXF4, TXF5 TXF7, TXF8, TXF9, TXW, VXE1, VXE2, VXE4
					-	1		
13	T	95002-02100	CLIP, TUBE (B10)	1	-	-----	BDWN, TDWN	
				1	-	1037872	BAF, BDW, BXF, BXF5, BXF9, TAF, TDW, TWF6, TXF, TXF2, TXF4, TXF5 TXF7, TXF8, TXF9, TXW, VXE1, VXE2, VXE4	
	13	T	95002-02100	CLIP, TUBE (B10)	-	1		
					-	1		

NOTE A:PART NO. CHANGE D:NEWLY PROVIDED E:PART NO. DELETION K:REQUIRED NO. CORRECTION L:APPLICATION SERIAL NO. CORRECTION
T:APPLICATION CORRECTION Z:REMARKS CHANGE

February 10, 2008



PARTS CATALOGUE NEWS

Honda Motor Co., Ltd. Service Division

Printed in Japan

CODE NO.	13Z6G602
PARTS CATALOGUE NEWS	GX670U GX670R
NEWS NO.	003

GX670R-BAF,BXF,BXF5,BXF9,TWF6,TXA2,TXF,TXF2,TXF4,TXF5,TXF7, TXF8, TXF9,TXW,VAB2,VXE1,VXE2 and VXE4 types sales information

NOTE: This Parts Catalogue News explains only the parts of the different model that are produced to conform to addition of the GX670R-BAF,BXF,BXF5,BXF9,TWF6,TXA2,TXF,TXF2,TXF4,TXF5,TXF7,TXF8,TXF9,TXW,VAB2, VXE1,VXE2 and VXE4 types.
As for the parts not listed on this Parts Catalogue News, use the parts of the GX670U-BAF,BXF,BXF5,BXF9,TWF6, TXA2,TXF,TXF2,TXF4,TXF5,TXF7,TXF8,TXF9,TXW,VAB2,VXE1,VXE2 and VXE4 types.

• Models, parts catalogue codes and applicable serial numbers

Model	Type		Parts catalogue type	Applicable engine serial No.	Applicable carburetor identification No.
GX670U	BAF	Base type	BAF	GCASK-1000001~	BK01A A/B
GX670R	BAF	Additional type	BAF		BK01A B
GX670U	BXF	Base type	BXF		BK01A A/B
GX670R	BXF	Additional type	BXF		BK01A B
GX670U	BXF5	Base type	BXF5		BK01A A/B
GX670R	BXF5	Additional type	BXF5		BK01A B
GX670U	BXF9	Base type	BXF9		BK01A A/B
GX670R	BXF9	Additional type	BXF9		BK01A B
GX670U	TWF6	Base type	TWF6		BK01A A/B
GX670R	TWF6	Additional type	TWF6		BK01A B
GX670U	TXA2	Base type	TXA2		BK01D A/B
GX670R	TXA2	Additional type	TXA2		BK01D B
GX670U	TXF	Base type	TXF		BK01A A/B
GX670R	TXF	Additional type	TXF		BK01A B
GX670U	TXF2	Base type	TXF2		BK01A A/B
GX670R	TXF2	Additional type	TXF2		BK01A B
GX670U	TXF4	Base type	TXF4		BK01A A/B
GX670R	TXF4	Additional type	TXF4		BK01A B
GX670U	TXF5	Base type	TXF5		BK01A A/B
GX670R	TXF5	Additional type	TXF5		BK01A B

Model	Type		Parts catalogue type	Applicable engine serial No.	Applicable carburetor identification No.
GX670U	TXF7	Base type	TXF7	GCASK-1000001~	BK01A A/B
GX670R	TXF7	Additional type	TXF7		BK01A B
GX670U	TXF8	Base type	TXF8		BK01A A/B
GX670R	TXF8	Additional type	TXF8		BK01A B
GX670U	TXF9	Base type	TXF9		BK01A A/B
GX670R	TXF9	Additional type	TXF9		BK01A B
GX670U	TXW	Base type	TXW		BK01A A/B
GX670R	TXW	Additional type	TXW		BK01A B
GX670U	VAB2	Base type	VAB2		BK01G A/B
GX670R	VAB2	Additional type	VAB2		BK01G B
GX670U	VXE1	Base type	VXE1		BK01B B/C/D
GX670R	VXE1	Additional type	VXE1		BK01B C/D
GX670U	VXE2	Base type	VXE2		BK01B B/C/D
GX670R	VXE2	Additional type	VXE2		BK01B C/D
GX670U	VXE4	Base type	VXE4		BK01B B/C/D
GX670R	VXE4	Additional type	VXE4		BK01B C/D

BOOKNo. : 13Z6G602

- Features of each type		Model	Base type	Additional type	Base type	Additional type	Base type	Additional type	Base type	Additional type
		Type	Base type	Additional type	Base type	Additional type	Base type	Additional type	Base type	Additional type
Specifications			GX670U	GX670R	GX670U	GX670R	GX670U	GX670R	GX670U	GX670R
			BAF	BAF	BXF	BXF	BXF5	BXF5	BXF9	BXF9
Crankshaft	28.575mm Ø Straight									
	36.5mm Ø Straight		●	●	●	●	●	●	●	●
	1/10" Tapered									
	3/16" Tapered									
Air cleaner	Standard		●	●	●	●	●	●	●	●
	Snorkel									
Control box			●	●	●	●	●	●	●	
Winter kit										

- Features of each type		Model	Base type	Additional type	Base type	Additional type	Base type	Additional type	Base type	Additional type
		Type	Base type	Additional type	Base type	Additional type	Base type	Additional type	Base type	Additional type
Specifications			GX670U	GX670R	GX670U	GX670R	GX670U	GX670R	GX670U	GX670R
			TWF6	TWF6	TXA2	TXA2	TXF	TXF	TXF2	TXF2
Crankshaft	28.575mm Ø Straight		●	●	●	●	●	●	●	●
	36.5mm Ø Straight									
	1/10" Tapered									
	3/16" Tapered									
Air cleaner	Standard		●	●			●	●	●	●
	Snorkel				●	●				
Control box			●	●	●	●	●	●	●	●
Winter kit			(●)	(●)						

PARTS CATALOGUE NEWS

BOOKNo. : 13Z6G602

Specifications		Model	Base type	Additional type	Base type	Additional type	Base type	Additional type	Base type	Additional type
		Type	GX670U	GX670R	GX670U	GX670R	GX670U	GX670R	GX670U	GX670R
		Type	TXF4	TXF4	TXF5	TXF5	TXF7	TXF7	TXF8	TXF8
Crankshaft	28.575mm Ø Straight		●	●	●	●	●	●	●	●
	36.5mm Ø Straight									
	1/10" Tapered									
	3/16" Tapered									
Air cleaner	Standard		●	●	●	●	●	●	●	●
	Snorkel									
Control box			●	●	●	●	●	●	●	●
Winter kit										

Specifications		Model	Base type	Additional type	Base type	Additional type	Base type	Additional type	Base type	Additional type
		Type	GX670U	GX670R	GX670U	GX670R	GX670U	GX670R	GX670U	GX670R
		Type	TXF9	TXF9	TXW	TXW	VAB2	VAB2	VXE1	VXE1
Crankshaft	28.575mm Ø Straight		●	●	●	●				
	36.5mm Ø Straight									
	1/10" Tapered					●	●			
	3/16" Tapered							●	●	
Air cleaner	Standard		●	●	●	●			●	●
	Snorkel									
Control box					●	●			●	●
Winter kit										

PARTS CATALOGUE NEWS

BOOKNo. : 13Z6G602

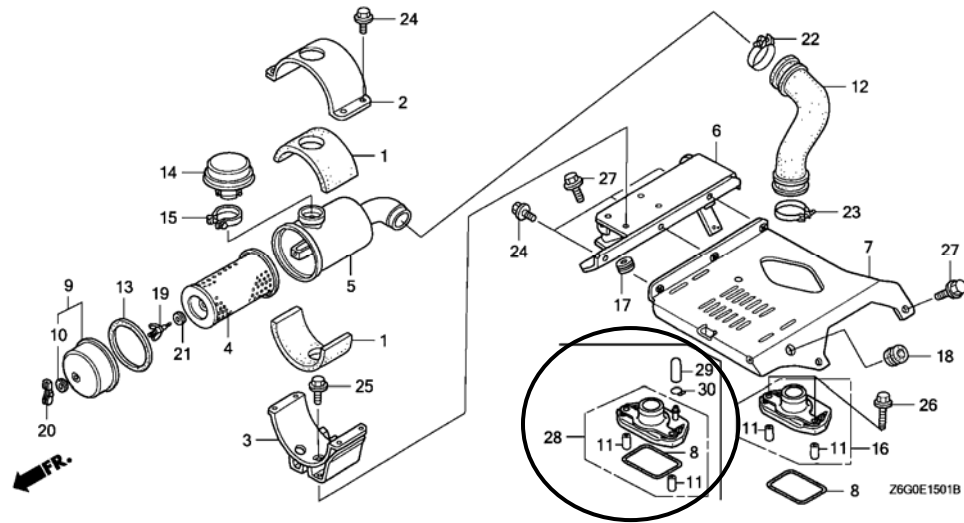
		Base type	Additional type	Base type	Additional type	
Specifications		Model	GX670U	GX670R	GX670U	GX670R
		Type	VXE2	VXE2	VXE4	VXE4
Crankshaft	28.575mm Ø Straight					
	36.5mm Ø Straight					
	1/10" Tapered					
	3/16" Tapered	●	●	●	●	
Air cleaner	Standard	●	●	●	●	
	Snorkel					
Control box		●	●	●	●	
Winter kit						

PARTS CATALOGUE NEWS

BOOKNo. : 13Z6G602

Block No.	Ref. No.	Part No.	Description	Reqd. QTY		Base Part No.	Parts catalogue code
				GX 670 U	GX 670 R		
E-2	25		PLUG, SPARK (BPR2ES) (NGK)	-	(0)	98079-52876	VAB2
E-3	1	12000-ZN1-416	BARREL ASSY., CYLINDER	-	1	12000-ZN1-406	BXF9, TWF6
	9	35480-ZJ1-842	SWITCH ASSY., OIL LEVEL	-	1	35480-ZJ1-841	BXF9, TWF6
E-9	10	14730-ZJ1-842	LIFTER ASSY., VALVE	-	1	14730-ZJ1-841	BXF9, TWF6
E-12	11	34150-ZJ1-843	ALERT UNIT, OIL	-	1	34150-ZJ1-842	BXF9, TWF6

E-15-1 AIR CLEANER (SNORKEL)



E-15-1	16		JOINT B, CONNECTING TUBE	-	0	17418-ZN1-000	TXA2
	28	17415-Z6G-000	JOINT B, CONNECTING TUBE	-	1		TXA2
	29	90634-ZL8-H00	CAP, SEALING	-	1		TXA2
	30	95002-02100	CLIP, TUBE (B10)	-	1		TXA2
E-20	7	31740-ZJ1-852	DIODE ASSY., ENGINE STOP	-	1	31740-ZJ1-851	BXF9
		31740-ZJ1-862	-	1	31740-ZJ1-861	TWF6

PARTS CATALOGUE NEWS

BOOKNo. : 13Z6G602

Block No.	Ref. No.	Part No.	Description	Reqd. QTY		Base Part No.	Parts catalogue code
				GX 670 U	GX 670 R		
E-23	4	31620-ZG5-033	RECTIFIER ASSY., REGULATOR (20A)	-	1	31620-ZG5-023	BXF9, TWF6
	11	32340-Z6D-832	BOX ASSY., CONTROL	-	1	32340-Z6D-831	TWF6
	16	35100-ZJ1-842	SWITCH ASSY., COMBINATION	-	1	35100-ZJ1-841	TWF6
E-28	2		LABEL, SPECIFICATION (GX670) .	-	0	87152-ZN1-010	



PARTS CATALOGUE NEWS

Honda Motor Co., Ltd. Service Division

PARTS CATALOGUE - CORRECTED

Printed in Japan

CODE NO.	13Z6G602
PARTS CATALOGUE NEWS	GX670U GX670R
NEWS NO.	004

Block No.	Ref. No.	Note	Part No.	Description	Reqd. QTY		Serial No.	Parts catalogue code
					GX 670 U	GX 670 R		
E-15-1	16	L	17418-ZN1-000	JOINT B, CONNECTING TUBE	1	-	----- 1039076	TXA2
	28	T	17415-Z6G-000	JOINT B, CONNECTING TUBE	1	-	1039077 -----	TXA2
					-	1	-----	TXA2
	29	T	90634-ZL8-H00	CAP, SEALING	1	-	1039077 -----	TXA2
					-	1	-----	TXA2
	30	T	95002-02100	CLIP, TUBE (B10)	1	-	1039077 -----	TXA2
				-	1	-----	TXA2	

NOTE A:PART NO. CHANGE D:NEWLY PROVIDED E:PART NO.DELETION K:REQUIRED NO. CORRECTION L:APPLICATION SERIAL NO. CORRECTION
T:APPLICATION CORRECTION Z:REMARKS CHANGE



PARTS CATALOGUE NEWS

Honda Motor Co., Ltd. Service Division

PARTS CATALOGUE - CORRECTED

Printed in Japan

CODE NO.	13Z6G602
PARTS CATALOGUE NEWS	GX670U GX670R
NEWS NO.	005

Block No.	Ref. No.	Note	Part No.	Description	Reqd. QTY		Serial No.	Parts catalogue code					
					GX 670 U	GX 670 R							
E-18	3		16851-Z6G-003	TUBE, FUEL (FKM)	1	-	----- 1050818	BDWN, TDWN					
					1	-	1004576 -----	BXF9, TWF6					
					1	-	1004576 1050818	BAF, BDW, BXF, BXF5, TAF, TDW, TXF, TXF2, TXF4, TXF5, TXF7, TXF8 TXF9, TXW, VAB2, VXE1, VXE2, VXE4					
					1	-	1004832 1050818	TXA2					
					-	1	----- 1050818						
	A			16851-Z6G-013	1	-	1050819 -----	BAF, BDW, BDWN, BXF, BXF5, TAF, TDW, TDWN, TXA2, TXF, TXF2, TXF4 TXF5, TXF7, TXF8, TXF9, TXW, VAB2, VXE1, VXE2, VXE4				
						-	1	1050819					
						21		16855-Z6C-841	TUBE COMP. B, FUEL (FKM)	1	-	----- 1050818	BDWN, TDWN
										1	-	1035450 -----	BXF9, TWF6
										1	-	1035450 1050818	BAF, BDW, BXF, BXF5, TAF, TDW, TXF, TXF2, TXF4, TXF5, TXF7, TXF8 TXF9, TXW, VAB2, VXE1, VXE2, VXE4
-	1	----- 1050818	BAF, BDW, BXF, BXF5, BXF9, TAF, TDW, TWF6, TXF, TXF2, TXF4, TXF5 TXF7, TXF8, TXF9, TXW, VAB2, VXE1, VXE2, VXE4										
			16855-Z6C-851	1	-	1036000 1050818	TXA2					
					-	1	----- 1050818	TXA2					

NOTE A:PART NO. CHANGE D:NEWLY PROVIDED E:PART NO. DELETION K:REQUIRED NO. CORRECTION L:APPLICATION SERIAL NO. CORRECTION
T:APPLICATION CORRECTION Z:REMARKS CHANGE

PARTS CATALOGUE NEWS

BOOKNo. : 13Z6G602

Block No.	Ref. No.	Note	Part No.	Description	Reqd. QTY		Serial No.	Parts catalogue code
					GX 670 U	GX 670 R		
		A	16855-Z6C-842	1	1	1050819 -----	BAF, BDW, BDWN, BXF, BXF5, TAF, TDW, TDWN, TXF, TXF2, TXF4, TXF5 TXF7, TXF8, TXF9, TXW, VAB2, VXE1, VXE2, VXE4
					-	1	1050819 -----	BXF9, TWF6
		A	16855-Z6C-852	1	1	1050819 -----	TXA2

NOTE A:PART NO. CHANGE D:NEWLY PROVIDED E:PART NO.DELETION K:REQUIRED NO. CORRECTION L:APPLICATION SERIAL NO. CORRECTION
T:APPLICATION CORRECTION Z:REMARKS CHANGE



PARTS CATALOGUE NEWS

Honda Motor Co., Ltd. Service Division

PARTS CATALOGUE - CORRECTED

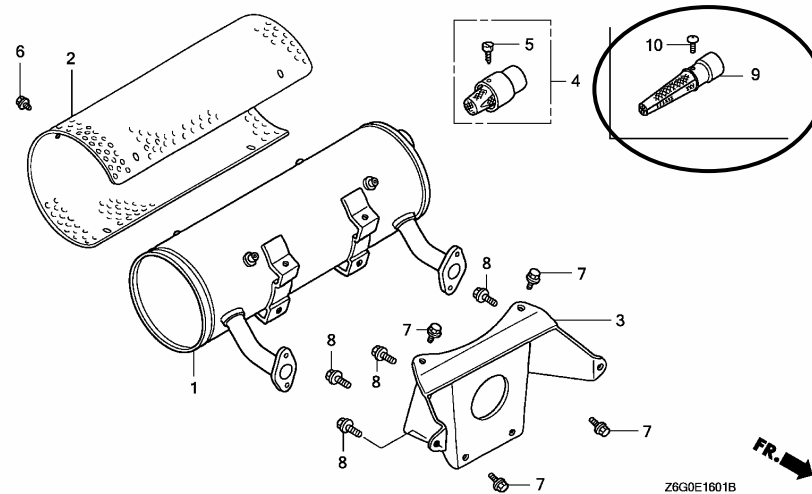
Printed in Japan

CODE NO.	13Z6G602
PARTS CATALOGUE NEWS	GX670U GX670R
NEWS NO.	006

Block No.	Ref. No.	Note	Part No.	Description	Reqd. QTY		Serial No.	Parts catalogue code
					GX 670 U	GX 670 R		

E-16-1 MUFFLER (HIGH-L)

Ref. No.	(Relative ref. Number)	Description	FRT
4	(9)	ARRESTER, SPARK	0.1
3131A1			



E-16-1	1		18310-ZN1-802	MUFFLER COMP. (HIGH-L)	1	1	-----	1057372	TXF7, TXF8
					(1)	(1)	-----	1057372	BAF, BDW, BDWN, BXF, BXF5, TAF, TDW, TDWN, TWF6, TXA2, TXF, TXF2, TXF4, TXF5, TXF9, TXW, VAB2, VXE1, VXE2, VXE4

NOTE A:PART NO. CHANGE D:NEWLY PROVIDED E:PART NO.DELETION K:REQUIRED NO. CORRECTION L:APPLICATION SERIAL NO. CORRECTION
T:APPLICATION CORRECTION Z:REMARKS CHANGE

PARTS CATALOGUE NEWS

BOOKNo. : 13Z6G602

Block No.	Ref. No.	Note	Part No.	Description	Reqd. QTY		Serial No.	Parts catalogue code	
					GX 670 U	GX 670 R			
					(1)	-	-----	BXF9	
					-	(1)	-----	1057372 BXF9	
	A		18310-ZJ1-802	1	1	1057373	-----	TXF7, TXF8
					(1)	(1)	1057373	-----	BAF, BDW, BDWN, BXF, BXF5, TAF, TDW, TDWN, TWF6, TXA2, TXF, TXF2, TXF4, TXF5, TXF9, TXW, VAB2, VXE1, VXE2, VXE4
					-	(1)	1057373	-----	BXF9
	2		18321-ZN1-003	PROTECTOR, MUFFLER	1	1	-----	1057372	TXF7, TXF8
					(1)	(1)	-----	1057372	BAF, BDW, BDWN, BXF, BXF5, TAF, TDW, TDWN, TWF6, TXA2, TXF, TXF2, TXF4, TXF5, TXF9, TXW, VAB2, VXE1, VXE2, VXE4
					(1)	-	-----	-----	BXF9
					-	(1)	-----	1057372	BXF9
	A		18321-ZJ1-000	PROTECTOR, MUFFLER (HIGH)	1	1	1057373	-----	TXF7, TXF8
					(1)	(1)	1057373	-----	BAF, BDW, BDWN, BXF, BXF5, TAF, TDW, TDWN, TWF6, TXA2, TXF, TXF2, TXF4, TXF5, TXF9, TXW, VAB2, VXE1, VXE2, VXE4
					-	(1)	1057373	-----	BXF9
	3		18338-ZJ1-841	STAY, MUFFLER (HIGH)	1	1	-----	1057372	TXF7, TXF8
					(1)	(1)	-----	1057372	BAF, BDW, BDWN, BXF, BXF5, TAF, TDW, TDWN, TWF6, TXA2, TXF, TXF2, TXF4, TXF5, TXF9, TXW, VAB2, VXE1, VXE2, VXE4
					(1)	-	-----	-----	BXF9
					-	(1)	-----	1057372	BXF9
	A		18338-ZJ1-000	1	1	1057373	-----	TXF7, TXF8
					(1)	(1)	1057373	-----	BAF, BDW, BDWN, BXF, BXF5, TAF, TDW, TDWN, TWF6, TXA2, TXF, TXF2, TXF4, TXF5, TXF9, TXW, VAB2, VXE1, VXE2, VXE4
					-	(1)	1057373	-----	BXF9
	4	L	18355-ZN1-003	ARRESTER, SPARK	(1)	-	-----	-----	BXF9
					(1)	-	-----	1057372	BAF, BDW, BDWN, BXF, BXF5, TAF, TDW, TDWN, TWF6, TXA2, TXF, TXF2, TXF4, TXF5, TXF7, TXF8, TXF9, TXW, VAB2, VXE1, VXE2, VXE4

NOTE A:PART NO. CHANGE D:NEWLY PROVIDED E:PART NO.DELETION K:REQUIRED NO. CORRECTION L:APPLICATION SERIAL NO. CORRECTION
T:APPLICATION CORRECTION Z:REMARKS CHANGE

PARTS CATALOGUE NEWS

BOOKNo. : 13Z6G602

Block No.	Ref. No.	Note	Part No.	Description	Reqd. QTY		Serial No.	Parts catalogue code
					GX 670 U	GX 670 R		
					-	(1)	----- 1057372	
	5	L	90009-ZJ1-801	SCREW (NELSON)	(1)	-	-----	BXF9
					(1)	-	----- 1057372	BAF, BDW, BDWN, BXF, BXF5, TAF, TDW, TDWN, TWF6, TXA2, TXF, TXF2 TXF4, TXF5, TXF7, TXF8, TXF9, TXW, VAB2, VXE1, VXE2, VXE4
					-	(1)	----- 1057372	
	9	D	18355-ZJ1-000	ARRESTER, SPARK	(1)	-	1057373 -----	BAF, BDW, BDWN, BXF, BXF5, TAF, TDW, TDWN, TWF6, TXA2, TXF, TXF2 TXF4, TXF5, TXF7, TXF8, TXF9, TXW, VAB2, VXE1, VXE2, VXE4
					-	(1)	1057373	
	10	D	90050-ZE1-000	SCREW, TAPPING, 5X8	(1)	-	1057373 -----	BAF, BDW, BDWN, BXF, BXF5, TAF, TDW, TDWN, TWF6, TXA2, TXF, TXF2 TXF4, TXF5, TXF7, TXF8, TXF9, TXW, VAB2, VXE1, VXE2, VXE4
					-	(1)	1057373	

NOTE A:PART NO. CHANGE D:NEWLY PROVIDED E:PART NO. DELETION K:REQUIRED NO. CORRECTION L:APPLICATION SERIAL NO. CORRECTION
T:APPLICATION CORRECTION Z:REMARKS CHANGE



PARTS CATALOGUE NEWS

Honda Motor Co., Ltd. Service Division

PARTS CATALOGUE - CORRECTED

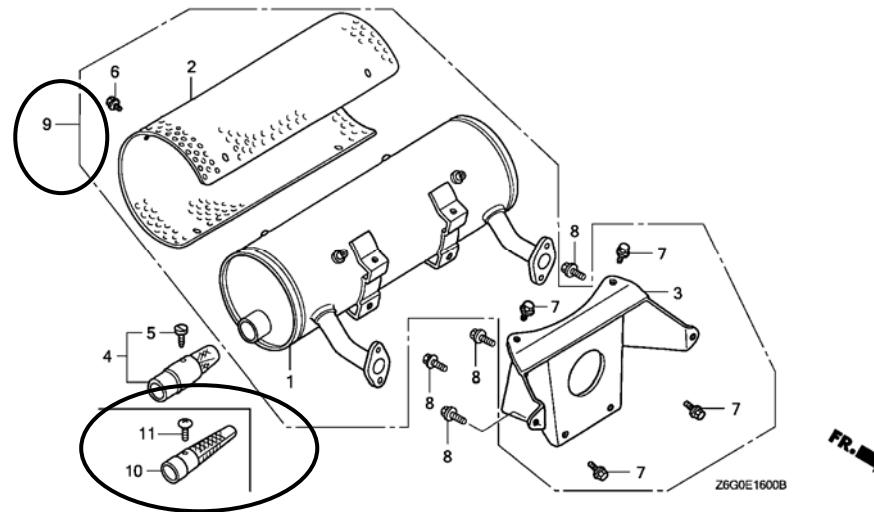
Printed in Japan

CODE NO.	13Z6G602
PARTS CATALOGUE NEWS	GX670U GX670R
NEWS NO.	007

Block No.	Ref. No.	Note	Part No.	Description	Reqd. QTY		Serial No.	Parts catalogue code
					GX 670 U	GX 670 R		
E-15-1	12		17251-ZJ1-850	TUBE, AIR CLEANER CONNECTING .	1	1	----- 1062141	TXA2
		A	17251-ZJ1-851	1	1	1062142 -----	TXA2

E-16 MUFFLER (HIGH-R)

Ref. No.	(Relative ref. Number)	Description	FRT
4	(10)		
3131A1		ARRESTER, SPARK	0.1
9 3131C3		MUFFLER ASSEMBLY, EXHAUST	0.6



NOTE A:PART NO.CHANGE D:NEWLY PROVIDED E:PART NO.DELETION K:REQUIRED NO.CORRECTION L:APPLICATION SERIAL NO.CORRECTION
T:APPLICATION CORRECTION Z:REMARKS CHANGE

PARTS CATALOGUE NEWS

BOOKNo.: 13Z6G602

Block No.	Ref. No.	Note	Part No.	Description	Reqd. QTY		Serial No.	Parts catalogue code
					GX 670 U	GX 670 R		
E-16	1	D	18310-ZJ1-004	MUFFLER COMP. (HIGH-R) (FUTABA) (SILVER MUFFLER) (FOR SILVER MUFFLER)	(1)	(1)		
				Z	18310-ZN1-003	MUFFLER COMP. (HIGH-R) (NELSON) (BLACK MUFFLER) (FOR BLACK MUFFLER)	(1)	(1)
	2	D	18321-ZJ1-000	PROTECTOR, MUFFLER (HIGH) (FUTABA) (FOR SILVER MUFFLER)	(1)	(1)		
				Z	18321-ZN1-003	PROTECTOR, MUFFLER (HIGH) (NELSON) (FOR BLACK MUFFLER)	(1)	(1)
	3	D	18338-ZJ1-000	STAY, MUFFLER (HIGH) (FOR SILVER MUFFLER)	(1)	(1)		
				Z	18338-ZJ1-841 (FOR BLACK MUFFLER)	(1)	(1)
	4	Z	18355-ZN1-003	ARRESTER, SPARK (FOR BLACK MUFFLER)	(1)	(1)		
	5	Z	90009-ZJ1-801	SCREW (NELSON) (FOR BLACK MUFFLER)	(1)	(1)		
	9	D	18300-ZJ1-880	MUFFLER ASSY. (HIGH-R) (FUTABA) (SILVER MUFFLER)	(1)	(1)		
	10	D	18355-ZJ1-000	ARRESTER, SPARK (FOR SILVER MUFFLER)	(1)	(1)		
	11	D	93901-250J0	SCREW, TAPPING, 5X8 (FOR SILVER MUFFLER)	(1)	(1)		

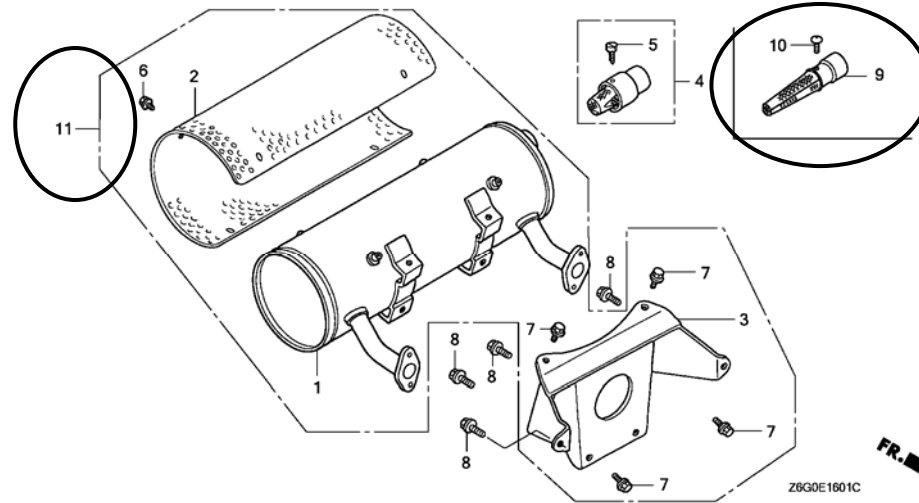
NOTE A:PART NO.CHANGE D:NEWLY PROVIDED E:PART NO.DELETION K:REQUIRED NO.CORRECTION L:APPLICATION SERIAL NO.CORRECTION
T:APPLICATION CORRECTION Z:REMARKS CHANGE

BOOKNo.:13Z6G602

Block No.	Ref. No.	Note	Part No.	Description	Reqd. QTY		Serial No.	Parts catalogue code
					GX 670 U	GX 670 R		

E-16-1 MUFFLER (HIGH-L)

Ref. No.	(Relative ref. Number)	Description	FRT
11	3131C3	MUFFLER ASSEMBLY, EXHAUST	0.6



E-16-1	1	D	18310-ZJ1-802	MUFFLER COMP. (HIGH-L) (FUTABA) (FOR SILVER MUFFLER)	1	1	-----	-----	TXF7, TXF8
				(FOR SILVER MUFFLER)	(1)	(1)	-----	-----	BAF, BDW, BDWN, BXF, BXF5, BXF9, TAF, TDW, TDWN, TWF6, TXA2, TXF2, TXF4, TXF5, TXF9, TXW, VAB2, VXE1, VXE2, VXE4
	Z	18310-ZN1-802	MUFFLER COMP. (HIGH-L) (NELSON) (FOR BLACK MUFFLER)	1	1	-----	1057372	TXF7, TXF8	
			(FOR BLACK MUFFLER)	(1)	(1)	-----	1057372	BAF, BDW, BDWN, BXF, BXF5, TAF, TDW, TDWN, TWF6, TXA2, TXF, TXF2, TXF4, TXF5, TXF9, TXW, VAB2, VXE1, VXE2, VXE4	
				(FOR BLACK MUFFLER)	(1)	-	-----	-----	BXF9
				(FOR BLACK MUFFLER)	-	(1)	-----	1057372	BXF9
	2	D	18321-ZJ1-000	PROTECTOR, MUFFLER (HIGH) (FUTABA)	1	1	-----	-----	TXF7, TXF8
				(FOR SILVER MUFFLER)	(1)	(1)	-----	-----	BAF, BDW, BDWN, BXF, BXF5, BXF9, TAF, TDW, TDWN, TWF6, TXA2, TXF2, TXF4, TXF5, TXF9, TXW, VAB2, VXE1, VXE2, VXE4
				(FOR SILVER MUFFLER)	(1)	(1)	-----	-----	BAF, BDW, BDWN, BXF, BXF5, BXF9, TAF, TDW, TDWN, TWF6, TXA2, TXF2, TXF4, TXF5, TXF9, TXW, VAB2, VXE1, VXE2, VXE4

NOTE A:PART NO.CHANGE D:NEWLY PROVIDED E:PART NO.DELETION K:REQUIRED NO.CORRECTION L:APPLICATION SERIAL NO.CORRECTION
T:APPLICATION CORRECTION Z:REMARKS CHANGE

PARTS CATALOGUE NEWS

BOOKNo.: 13Z6G602

Block No.	Ref. No.	Note	Part No.	Description	Reqd. QTY		Serial No.	Parts catalogue code
					GX 670 U	GX 670 R		
		Z	18321-ZN1-003	PROTECTOR, MUFFLER (HIGH) (NELSON)				
				(FOR BLACK MUFFLER)	1	1	----- 1057372	TXF7, TXF8
				(FOR BLACK MUFFLER)	(1)	(1)	----- 1057372	BAF, BDW, BDWN, BXF, BXF5, TAF, TDW, TDWN, TWF6, TXA2, TXF, TXF2 TXF4, TXF5, TXF9, TXW, VAB2, VXE1, VXE2, VXE4
				(FOR BLACK MUFFLER)	(1)	-	----- -----	BXF9
				(FOR BLACK MUFFLER)	-	(1)	----- 1057372	BXF9
		E	18321-ZJ1-000	*PARTS NO. DELETION				
	3	D	18338-ZJ1-000	STAY, MUFFLER (HIGH) (FOR SILVER MUFFLER)	1	1	----- -----	TXF7, TXF8
				(FOR SILVER MUFFLER)	(1)	(1)	----- -----	BAF, BDW, BDWN, BXF, BXF5, BXF9, TAF, TDW, TDWN, TWF6, TXA2, TXF TXF2, TXF4, TXF5, TXF9, TXW, VAB2, VXE1, VXE2, VXE4
		Z	18338-ZJ1-841 (FOR BLACK MUFFLER)	1	1	----- 1057372	TXF7, TXF8
				(FOR BLACK MUFFLER)	(1)	(1)	----- 1057372	BAF, BDW, BDWN, BXF, BXF5, TAF, TDW, TDWN, TWF6, TXA2, TXF, TXF2 TXF4, TXF5, TXF9, TXW, VAB2, VXE1, VXE2, VXE4
				(FOR BLACK MUFFLER)	(1)	-	----- -----	BXF9
				(FOR BLACK MUFFLER)	-	(1)	----- 1057372	BXF9
	4	Z	18355-ZN1-003	ARRESTER, SPARK (FOR BLACK MUFFLER)	(1)	-	----- -----	BXF9
				(FOR BLACK MUFFLER)	(1)	-	----- 1057372	BAF, BDW, BDWN, BXF, BXF5, TAF, TDW, TDWN, TWF6, TXA2, TXF, TXF2 TXF4, TXF5, TXF7, TXF8, TXF9, TXW, VAB2, VXE1, VXE2, VXE4
				(FOR BLACK MUFFLER)	-	(1)	----- 1057372	
	5	Z	90009-ZJ1-801	SCREW (NELSON) (FOR BLACK MUFFLER)	(1)	-	----- -----	BXF9
				(FOR BLACK MUFFLER)	(1)	-	----- 1057372	BAF, BDW, BDWN, BXF, BXF5, TAF, TDW, TDWN, TWF6, TXA2, TXF, TXF2 TXF4, TXF5, TXF7, TXF8, TXF9, TXW, VAB2, VXE1, VXE2, VXE4
				(FOR BLACK MUFFLER)	-	(1)	----- 1057372	
	9	T	18355-ZJ1-000	ARRESTER, SPARK (FOR SILVER MUFFLER)	(1)	(1)		

NOTE A:PART NO.CHANGE D:NEWLY PROVIDED E:PART NO.DELETION K:REQUIRED NO.CORRECTION L:APPLICATION SERIAL NO.CORRECTION
T:APPLICATION CORRECTION Z:REMARKS CHANGE

PARTS CATALOGUE NEWS

BOOKNo.:13Z6G602

Block No.	Ref. No.	Note	Part No.	Description	Reqd. QTY		Serial No.	Parts catalogue code
					GX 670 U	GX 670 R		
	10	E	90050-ZE1-000	*PARTS NO. DELETION				
		D	93901-250J0	SCREW, TAPPING, 5X8 (FOR SILVER MUFFLER)	(1)	(1)		
	11	D	18300-ZJ1-890	MUFFLER ASSY. (HIGH-L)(FUTABA) (SILVER MUFFLER)	1	1	----- 1057372	TXF7, TXF8
					(1)	(1)	----- 1057372	BAF, BDW, BDWN, BXF, BXF5, TAF, TDW, TDWN, TWF6, TXA2, TXF, TXF2 TXF4, TXF5, TXF9, TXW, VAB2, VXE1, VXE2, VXE4
					(1)	-	-----	BXF9
					-	(1)	----- 1057372	BXF9

NOTE A:PART NO.CHANGE D:NEWLY PROVIDED E:PART NO.DELETION K:REQUIRED NO.CORRECTION L:APPLICATION SERIAL NO.CORRECTION
T:APPLICATION CORRECTION Z:REMARKS CHANGE