

**Robin Engine**

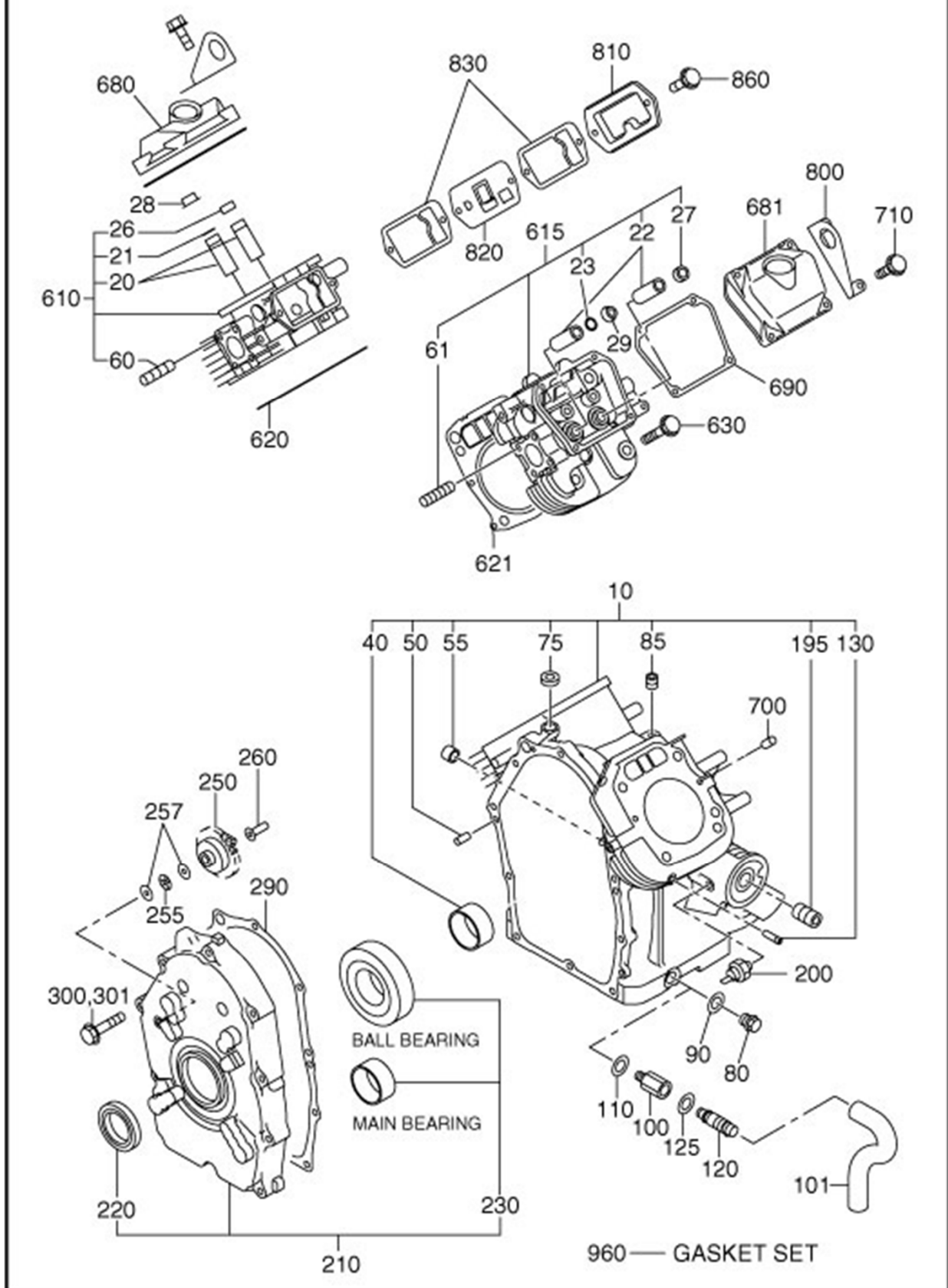
# **PARTS CATALOG**

MODEL	EH650
SPEC.NO	EH650DC7043

ご注文の際は部品番号の前に**ZR**をご記入下さ

**富士重工業株式会社**  
**FUJI HEAVY INDUSTRIES LTD.**

FIG. 101



# 1 CRANK CASE GROUP

REF.	PART NUMBER	PART NAME	QTY	R E M A R K S	CODE NO.	INTERCHANGE P/NO.	UNIT P	FIG.
10	263-10111-21	CRANK CASE CP	1		-			101
20	263-14211-03	VALVE GUIDE	2	6DX11DX32.5L	-			101
21	056-51000-50	CLIP	1	10.7DX0.9D	-			101
22	263-14211-03	VALVE GUIDE	2	6DX11DX32.5L	-			101
23	056-51000-50	CLIP	1	10.7DX0.9D	-			101
26	132-07AA0-50	SEAL-INT VALVE	1		-			101
27	132-07AA0-50	SEAL-INT VALVE	1		-			101
28	263-35341-03	RETAINER PLATE	1	11DX17.3DX27DX4.7H	-			101
29	263-35341-03	RETAINER PLATE	1	11DX17.3DX27DX4.7H	-			101
40	263-15805-03	MAIN BEARING	1	45DX50DX23B W/STOPER	-			101
50	031-00801-10	DOWEL PIN	2	8DX20L	-			101
55	263-55601-03	PIPE	2	11DX8.8DX8L	-			101
60	010-50802-90	STUD	4	M8X1.25X30L	-			101
61	010-50802-90	STUD	4	M8X1.25X30L	-			101
75	044-00800-10	OIL SEAL	1	8DX14DX4B	-			101
80	040-11400-30	PLUG	2	M14X1.5X20DX12L	-			101
85	235-15421-03	BLIND PLUG	1	PT1/8X8L	-			101
90	021-11400-20	GASKET	2	14.1DX19DX2.3T	-			101
100	263-65006-A3	ADAPTER	1		-			101
110	021-11400-20	GASKET	1	14.1DX19DX2.3T	-			101
130	159-65401-03	PIPE (PULSE)	1	4DX6DX25L	-			101
195	263-15901-03	UNION	1	3/4X16UNFX30L	-			101
200	263-76102-H1	SWITCH OIL PRESSURE	1		-			101
210	263-11004-41	MAINBEARING COVER CP	1		-			101
220	044-04200-30	OIL SEAL	1	42DX60DX9B	-			101
230	X60-04500-20	BALL BEARING	1	45DX100DX25B	-			101
250	263-45003-11	GOVERNOR GEAR CP	1		-			101
255	263-46215-A3	THRUST BEARING	1		-			101
257	263-46214-A3	WASHER	2		-			101
260	277-41902-01	GOVERNOR SLEEVE	1		-			101
290	263-16002-A3	GASKET (M. B COVER)	1	T=0.5	-			101
300	011-00802-20	FLANGE BOLT	10	M8X1.25X17DX45L	-			101
610	263-13211-01	CYLINDER HEAD 1 CP	1		-			101
615	263-13311-01	CYLINDER HEAD 2 CP	1		-			101
620	263-15021-41	GASKET 1 (CYL HEAD)	1	T=0.4	-			101
621	263-15121-31	GASKET 2 (CYL HEAD)	1	T=0.4	-			101
630	011-01000-70	FLANGE BOLT	8	M10X1.25X19DX65L	-			101
680	280-15505-03	ROCKER COVER	1		-			101
681	263-15503-03	ROCKER COVER	1		-			101
690	263-16101-A3	GASKET (ROCKER COVER)	2	T=0.4	-			101



FIG. 200

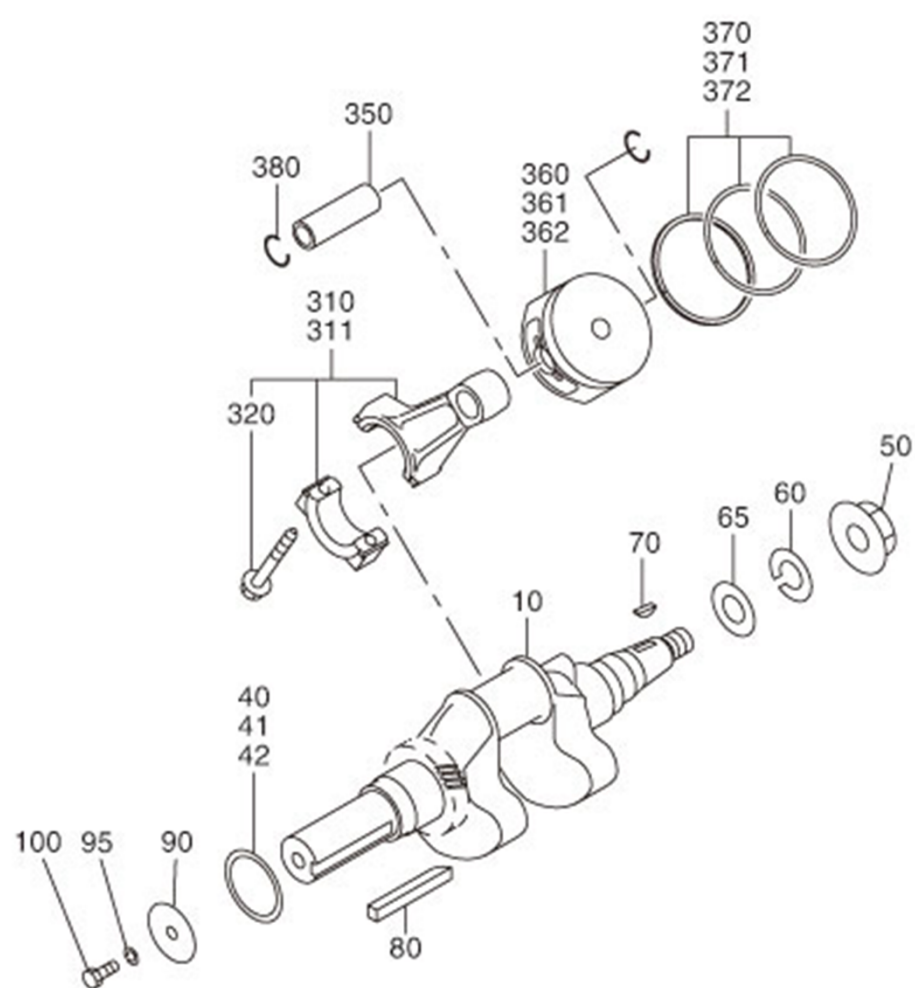




FIG. 301

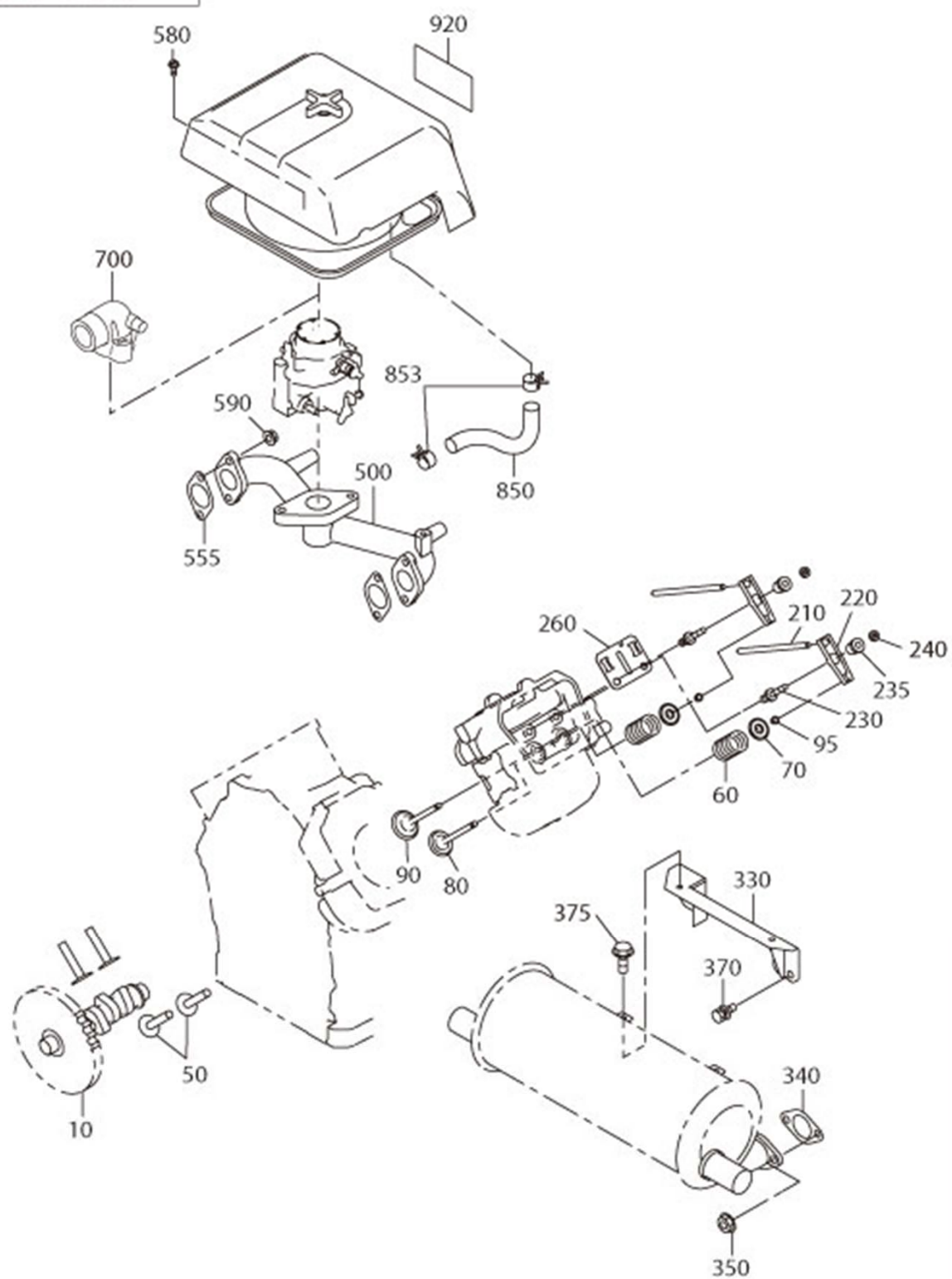






FIG. 315

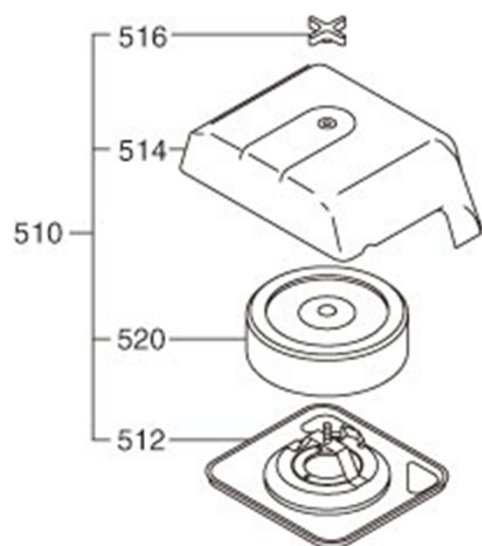




FIG. 330

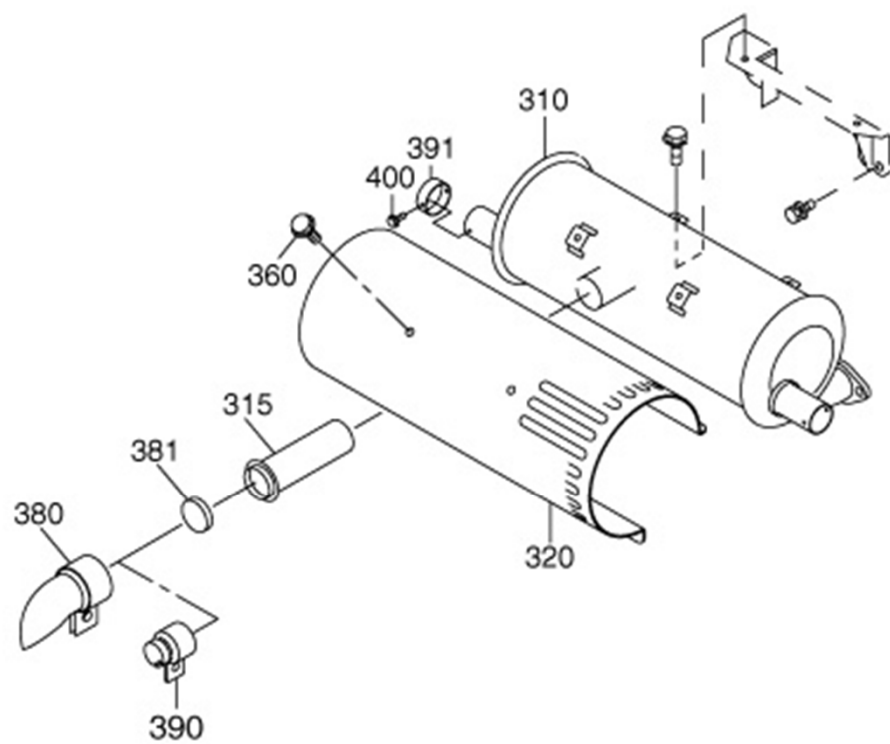
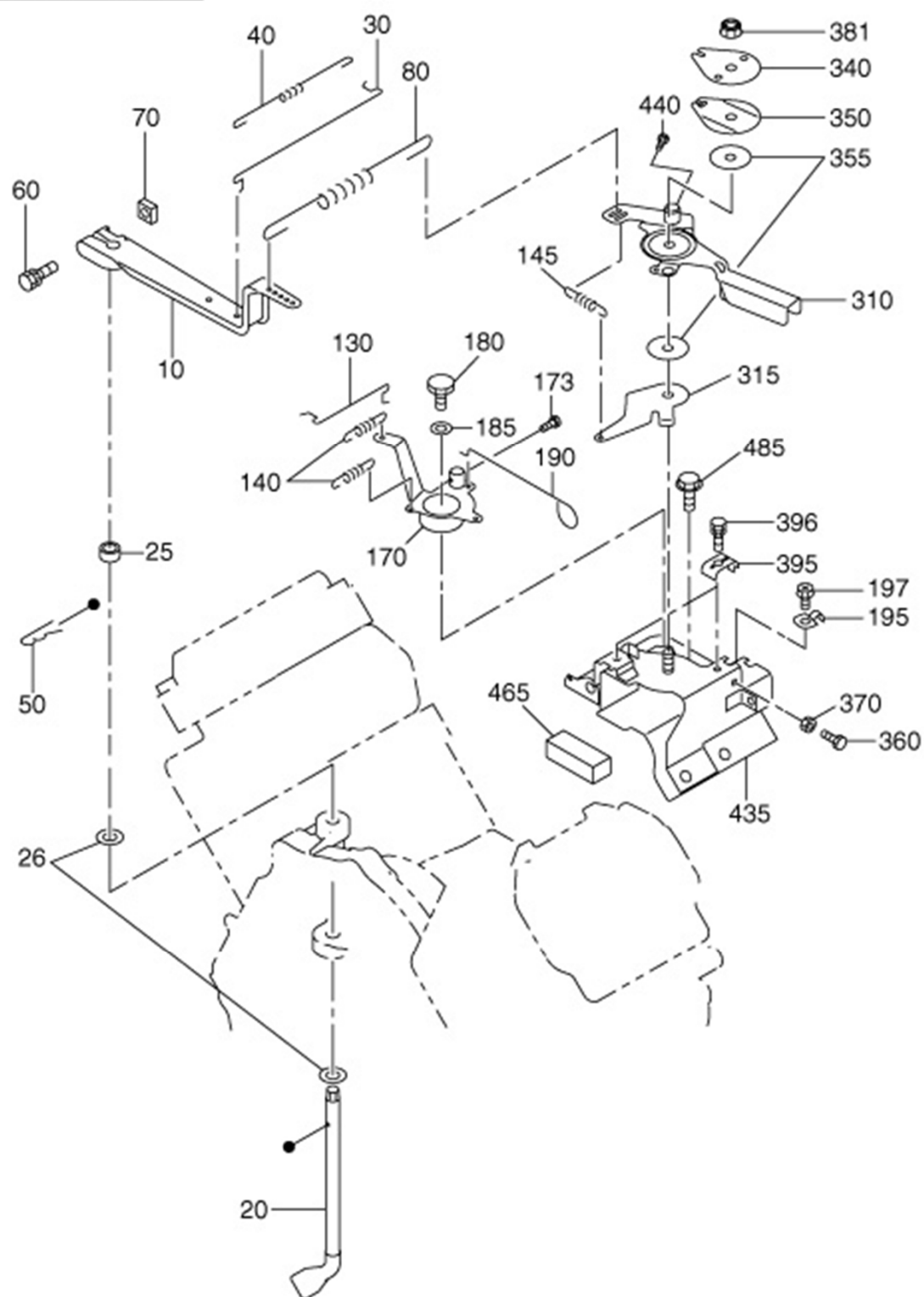




FIG. 400



#### 4 GOVERNOR GROUP

REF.	PART NUMBER	PART NAME	QTY	R E M A R K S	CODE NO.	INTERCHANGE P/NO.	UNIT P	FIG.
10	263-42301-B3	GOVERNOR LEVER	1		-			400
20	263-42201-A3	GOVERNOR SHAFT	1		-			400
25	X23-00801-50	SPACER	1	8. 3DX11. 9DX6. 4T	-			400
26	003-10080-00	WASHER	2	8. 5DX16DX1. 2T	-			400
30	263-42701-A3	GOVERNOR ROD	1		-			400
40	263-42801-03	ROD SPRING	1	6DX0. 5DX102L N=29	-			400
50	005-11060-01	SNAP PIN	1		-			400
60	001-14063-00	BOLT AND WASHER AY	1	M6X1. 0X30L W/W, SW	-			400
70	018-60600-20	NUT	1	M6X1. 0X4. 9H SQUARE	-			400
80	263-42501-A3	GOVERNOR SPRING	1	10. 5DX1. 2DX139L N=36	-			400
130	263-46011-A3	CHOKE CONTROL ROD	1		-			400
140	261-45201-03	RETURN SPRING	2	6. 8DX0. 7DX35L N=15	-			400
170	263-46021-01	CHOKE LEVER CP	1		-			400
173	004-31040-80	SCREW	1	M4X0. 7X8L	-			400
180	226-43101-01	LINK PIVOT CP	1		-			400
310	263-43312-01	SPEED CONT. LEVER CP	1		-			400
355	261-45301-03	SPACER	1	6. 3DX9. 5DX2. 6T	-			400
360	011-50500-20	BOLT	2	M5X0. 8X35L	-			400
370	002-27050-00	NUT	2		-			400
381	002-38060-00	FLANGE NUT	1	M6X1. 0X13DX6H	-			400
395	261-43901-03	CLAMP	2		-			400
396	001-17052-00	BOLT & WASHER AY	2		-			400
435	263-45021-A2	BRACKET (SPD CONTROL)	1		-			400
440	004-31040-80	SCREW	1	M4X0. 7X8L	-			400
485	011-00600-20	FLANGE BOLT	2	M6X1. 0X14DX12L	-			400

FIG. 500

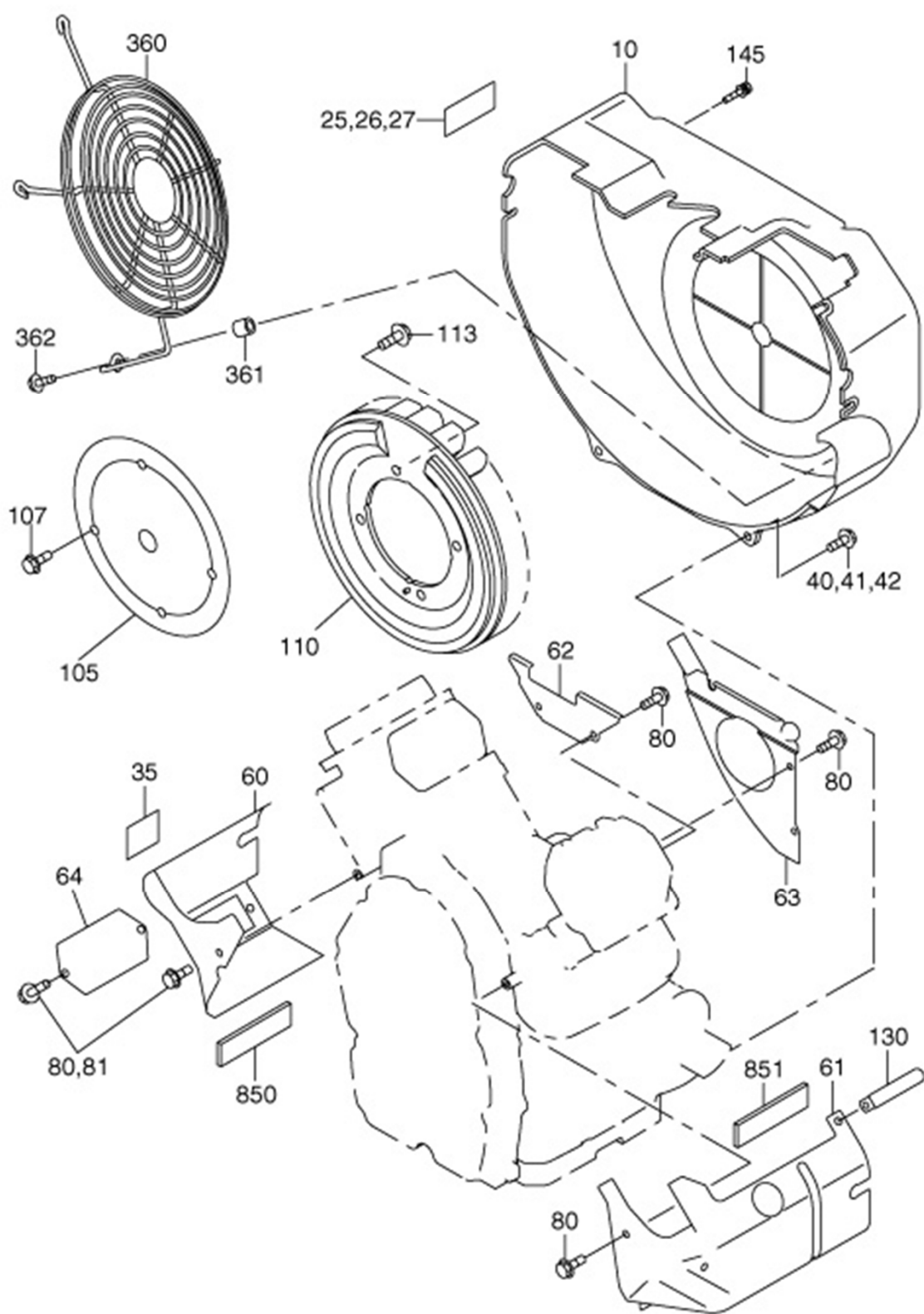
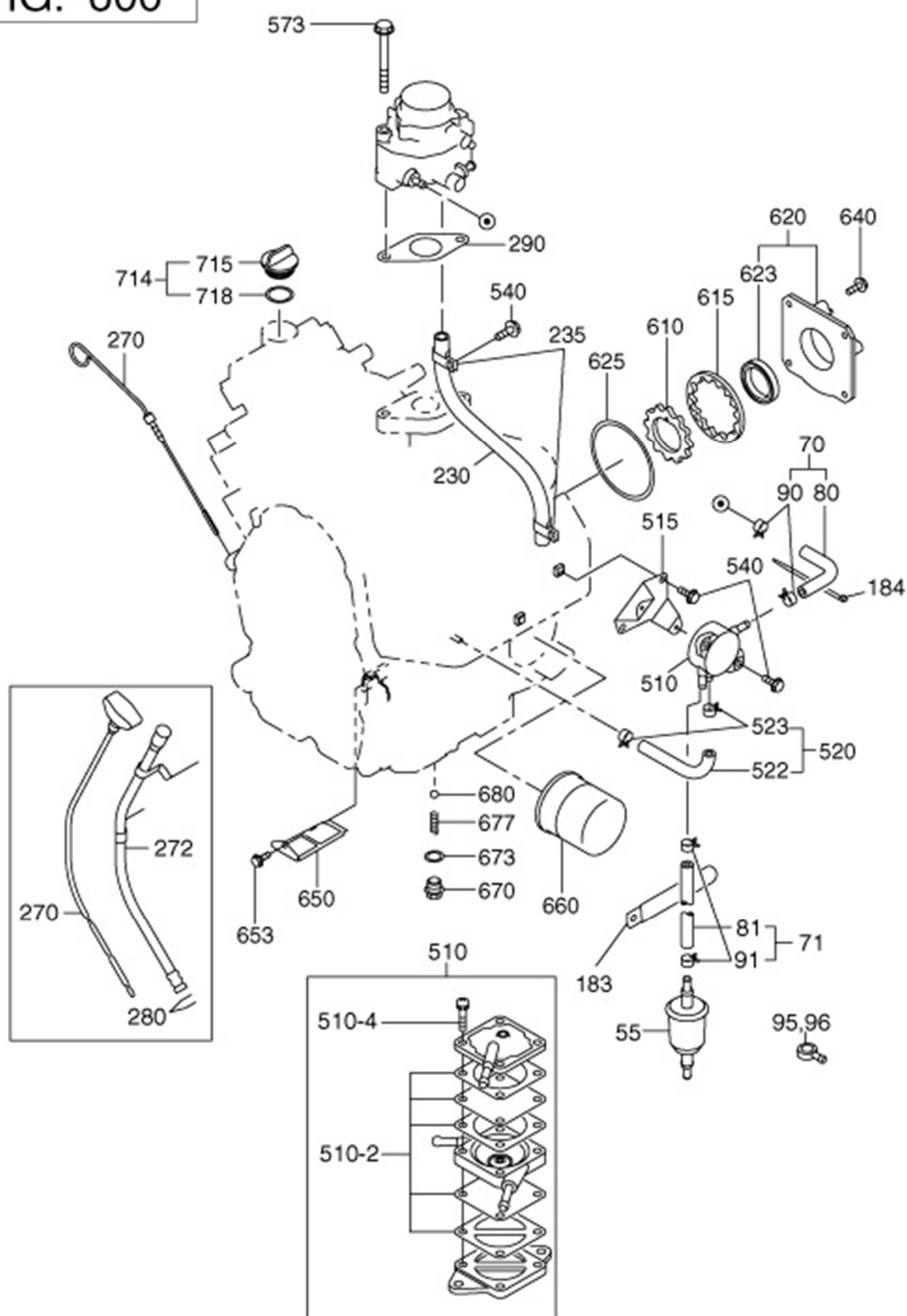






FIG. 600

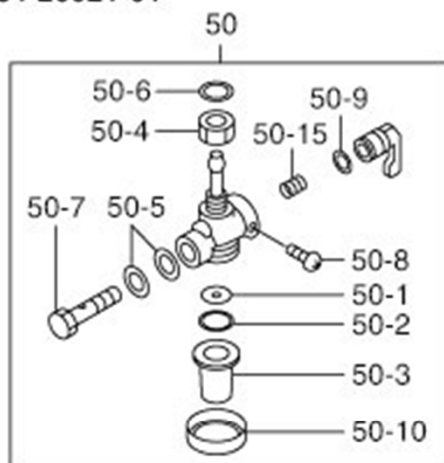


## 6 FUEL LUBRICANT GROUP

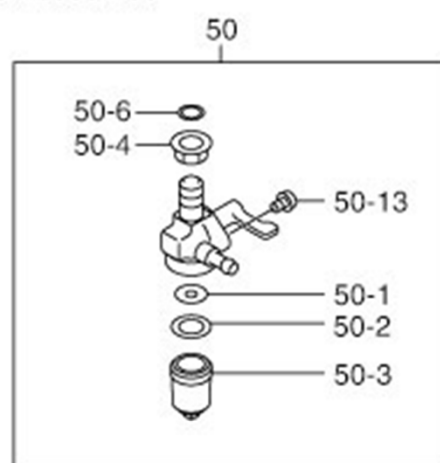
REF.	PART NUMBER	PART NAME	QTY	REMARKS	CODE NO.	INTERCHANGE P/NO.	UNIT P	FIG.
55	263-65012-A3	FILTER, FUEL	1		-			600
80	X85-10616-60	RUBBER PIPE	1	6. 4DX12. 7DX430L	-	X85-10610-07		600
81	X85-10613-81	RUBBER PIPE	1	6. 4DX12. 7DX80L	-	X85-10610-07		600
90	263-68501-03	HOSE CLAMP	2	11. 4DX7. 9BX0. 7T	-			600
91	263-68501-03	HOSE CLAMP	2	11. 4DX7. 9BX0. 7T	-			600
230	085-10301-10	RUBBER PIPE	1	3DX6DX350L	-			600
235	206-75501-01	CLAMP CP	2	10DXM6X12BX0. 6T	-			600
270	263-63604-11	GAUGE CP, OIL LEVEL	1		-			600
272	263-63622-01	GUIDE CP	1		-			600
280	024-01000-20	O-RING	2		-			600
290	263-66201-A3	GASKET (CARBURETOR)	1	T=0. 4 34D 8. 5DX84. 5P	-			600
510	267-62201-10	FUEL PUMP AY	1		-			600
515	263-65002-A3	BRACKET (FUEL PUMP)	1		-			600
522	X85-10616-30	RUBBER PIPE	1	6. 4DX12. 7DX160L	-	X85-10610-07		600
523	263-68501-03	HOSE CLAMP	2	11. 4DX7. 9BX0. 7T	-			600
540	011-00600-20	FLANGE BOLT	5	M6X1. 0X14DX12L	-			600
573	011-00801-10	FLANGE BOLT	2	M8X1. 25X14DX80L	-			600
610	263-63901-03	INNER ROTOR	1		-			600
615	263-63902-03	OUTER ROTOR	1		-			600
620	263-64002-01	OIL PUMP COVER CP	1		-			600
623	044-03501-70	OIL SEAL	1	35DX48DX8B	-			600
625	X24-08900-30	O RING	1	88. 2DX94. 4D	-			600
640	011-00600-30	FLANGE BOLT	4	M6X1. 0X14DX14L	-			600
650	263-64302-02	OIL PUMP FILTER UN	1		-			600
653	263-65011-A3	FLANGE BOLT	1		-			600
660	248-65801-00	OIL FILTER AY	1		-			600
670	263-65001-13	PLUG (OIL RELIEF)	1	M14X1. 5X20DX12L	-			600
673	003-70140-00	GASKET, ALUMINUM	1		-			600
677	263-66001-03	SPRING (RELIEF VALVE)	1	7. 8DX1DX25L N=8. 5	-			600
680	006-90308-00	STEEL BALL	1		-			600
715	280-63602-A3	OIL FILLER CAP	1		-			600
718	263-64414-A3	O RING	1	26. 6DX31. 9D	-			600

FIG. 630

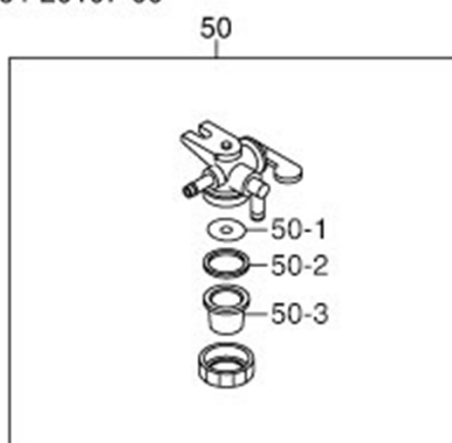
064-20021-01



064-20084-00



064-20036-01  
064-20095-00  
064-20107-00



064-20100-01

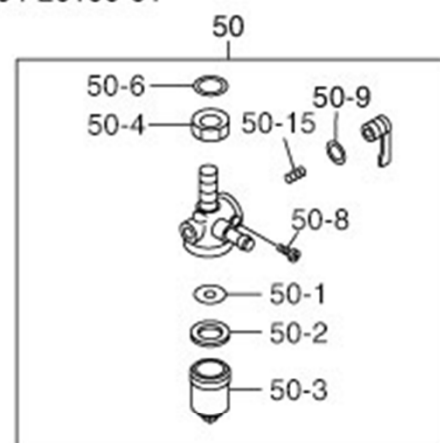
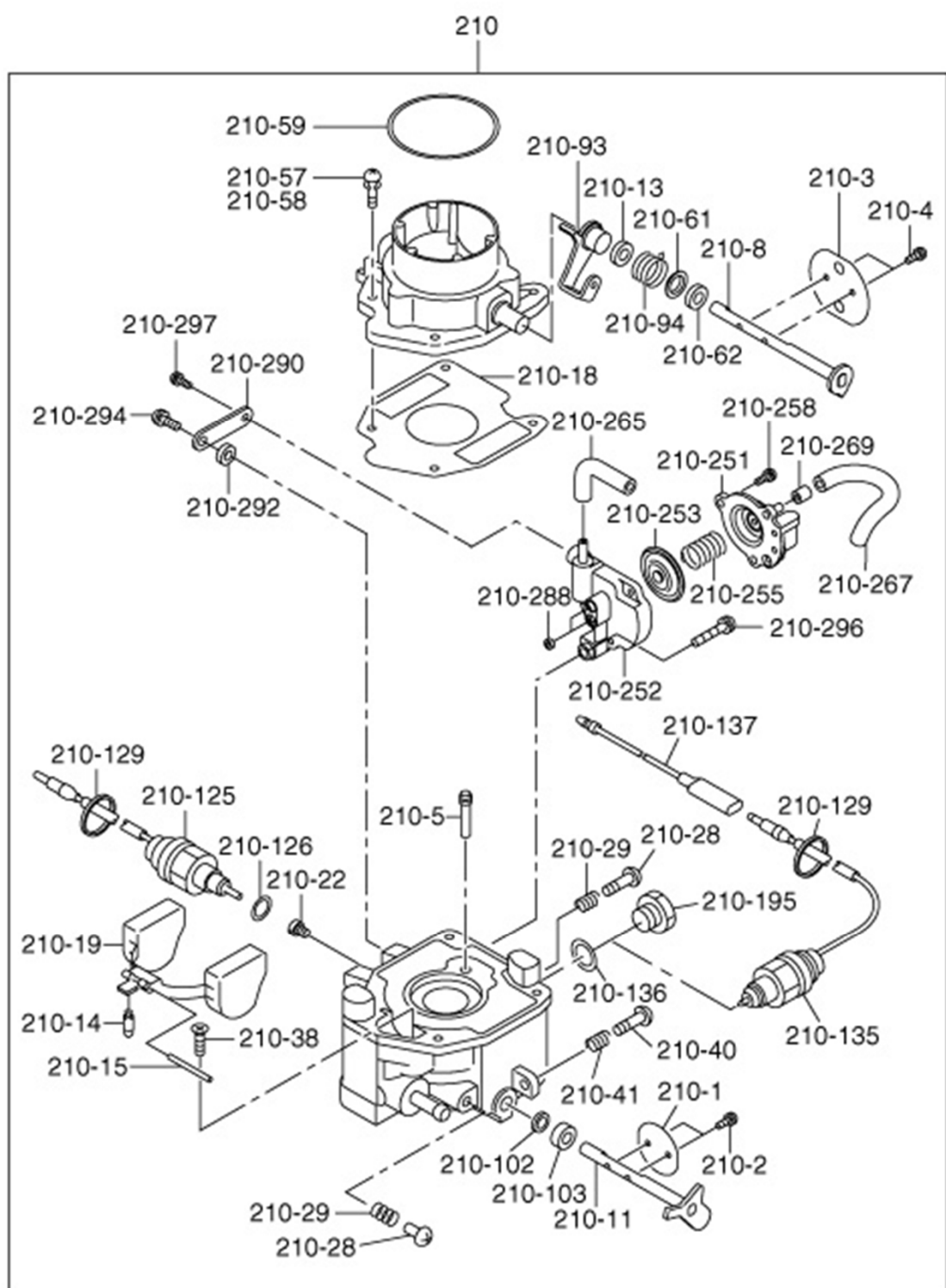




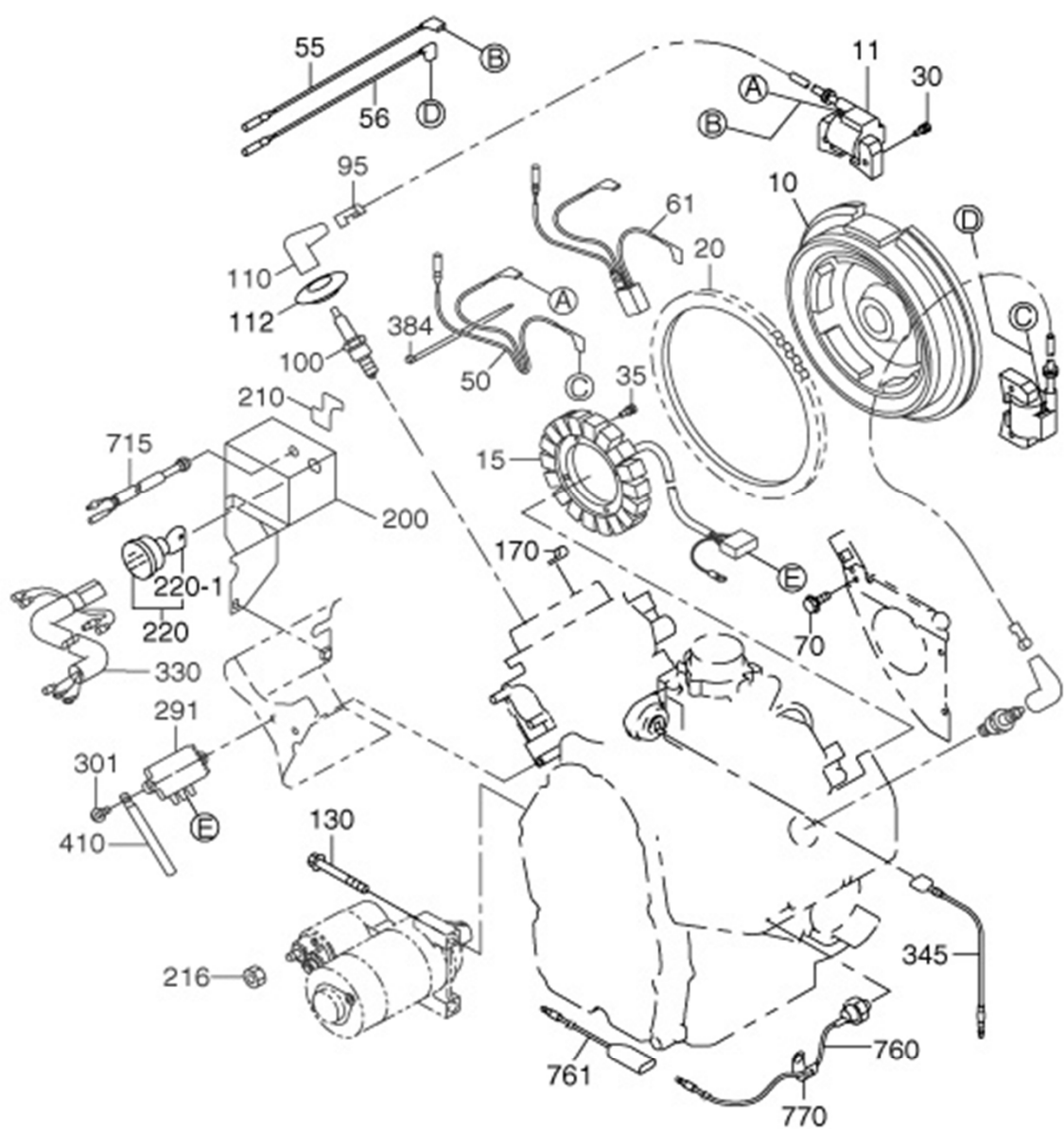
FIG. 640



## 6 FUEL, LUBRICANT GROUP

REF.	PART NUMBER	PART NAME	QTY	R E M A R K S	CODE NO.	INTERCHANGE P/NO.	UNIT P	FIG.
210	263-62382-00	CARBURETOR AY	1	W/MAIN, SLOW-CUT	-			640
- 1	263-62535-08	VALVE, THROTTLE	1		-			640
- 2	261-62352-08	SCREW, VALVE SET	2		-			640
- 3	263-62528-08	VALVE, CHOKE	1		-			640
- 4	258-62555-08	SCREW SET (VALVE)	2		-			640
- 5	258-62420-08	JET (SLOW)	1		-			640
- 8	263-62520-08	SHAFT ASSY, CHOKE	1		-			640
- 11	263-62530-08	SHAFT ASSY, THROTTLE	1		-			640
- 13	258-62551-08	RING (CHOKE LEVER)	1		-			640
- 14	226-62501-08	VALVE, FLOAT	1		-			640
- 15	258-62515-08	FLOAT PIN	1		-			640
- 18	280-62545-08	GASKET, AIR HORN	1		-			640
- 19	280-62505-08	FLOAT	1		-			640
- 22	263-62400-08	JET, MAIN	1		-			640
- 28	215-62353-08	SCREW, DRAIN	1		-			640
- 29	215-62446-08	SPRING, DRAIN	1		-			640
- 38	258-62556-08	SCREW SET (FLOAT PIN)	1		-			640
- 40	263-62451-08	SCREW, THRO. ADJUST	1		-			640
- 41	258-62445-08	SPRING (ADJUST SCREW)	1		-			640
- 57	258-62450-08	SCREW SET (AIR HORN)	4		-			640
- 59	263-62560-08	O-RING, AIR HORN	1		-			640
- 61	280-62551-08	COLLAR, CHOKE	1		-			640
- 62	258-62554-08	FILTER (CHOKE SHAFT)	1		-			640
- 93	263-62524-08	LEVER ASSY, CHOKE	1		-			640
- 94	263-62445-08	SPRING, CHOKE	1		-			640
-102	226-62580-08	FILTER, AIR	1		-			640
-103	258-62570-08	COLLAR (THRO. SHAFT)	1		-			640
-125	263-62556-08	VALVE CP, (SOLENOID)	1		-			640
-126	258-62546-08	GASKET, MAIN PASSAGE	1		-			640
-129	258-62566-08	CLAMP (SOLENOID) WIRE	2		-			640
-135	263-62557-08	VALVE ASSY, SOLENOID	1		-			640
-136	263-62555-08	GASKET	1		-			640
-137	258-62572-08	CORD ASSY	1		-			640

FIG. 700



## 7 ELECTRIC DEVICE GR

REF.	PART NUMBER	PART NAME	QTY	REMARKS	CODE NO.	INTERCHANGE P/NO.	UNIT P	FIG.
10	263-77202-11	FLYWHEEL CP	1		-			700
11	263-78203-01	IGNITION COIL CP	2	MARK AK	-			700
15	263-79411-A1	CHARGE COIL CP	1		-			700
20	263-71002-H3	RING GEAR	1	202DX233DX8. 7B N=90	-			700
30	001-14062-50	BOLT AND WASHER AY	4	M6X1. 0X25L W/W, SW	-			700
35	001-16052-00	BOLT AND WASHER AY	4		-			700
50	263-73126-H1	WIRE CP(IG. COIL)	1	BLACK	-			700
95	065-90000-10	PLUG TERMINAL	2		-			700
100	065-01402-80	SPARK PLUG	2	NGK BPR5ES	-			700
110	X65-51000-10	SPARK PLUG CAP	2		-			700
130	011-00801-00	FLANGE BOLT	2	M8X1. 25X17DX65L	-			700
216	002-38080-00	FLANGE NUT	1	M8X1. 25X17DX7. 5H	-			700
291	263-71901-01	REGULATOR CP	1		-			700
301	011-00601-40	FLANGE BOLT	2	M6X1. 0X14DX18L	-			700
384	056-30000-10	WIRE BAND	3	4. 5BX1. 2TX200L	-			700
760	263-73102-11	WIRE AY(OIL PRE. SW.)	1	L=900 GRAY	-			700
770	206-75501-01	CLAMP CP	2	10DXM6X12BX0. 6T	-			700



FIG. 731

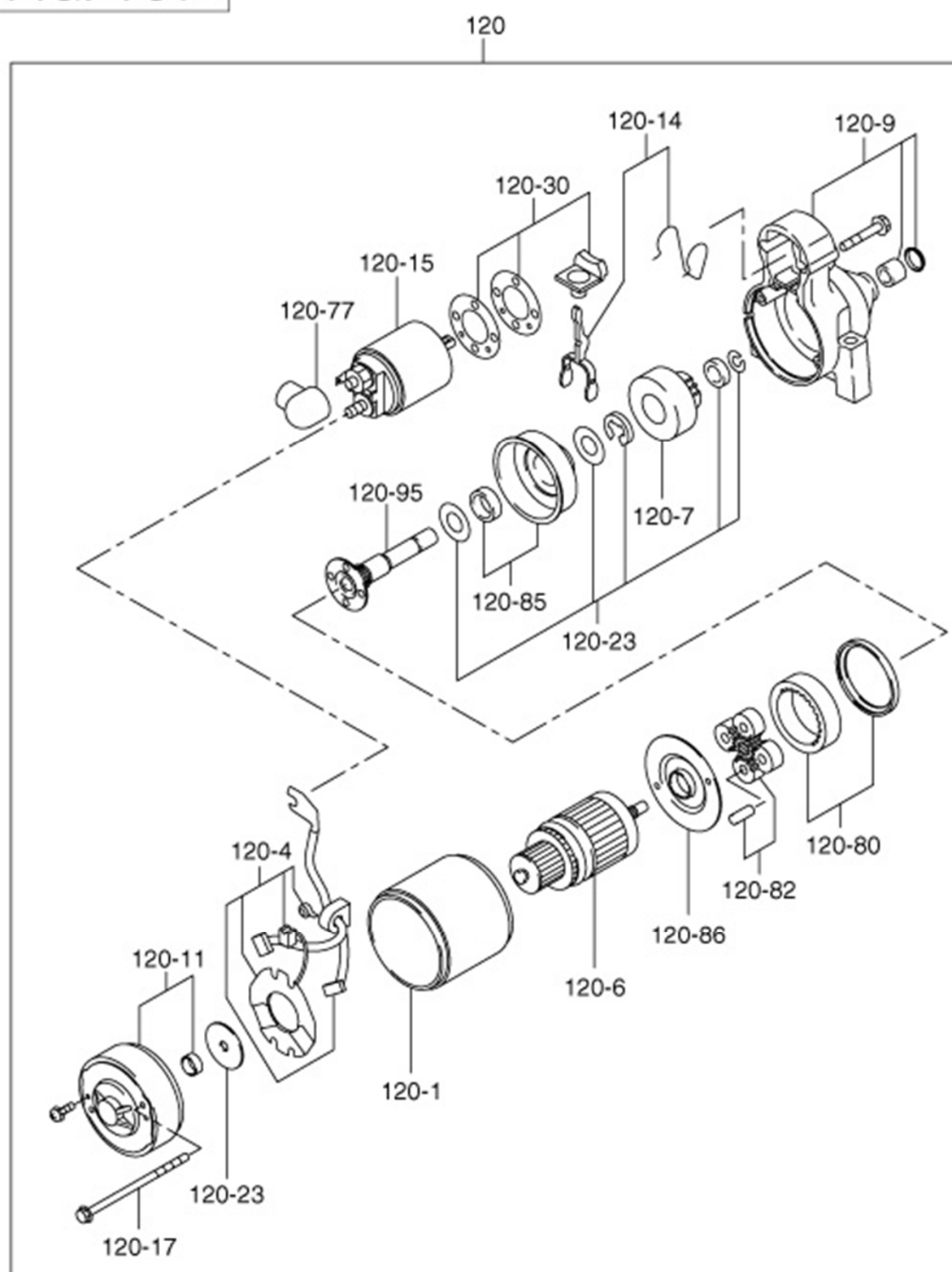




FIG. 900

