

PARTS MANUAL

Models

**PTD306T & PTD406
Pumps**

PUB-PP1235
Rev. 12/99

GROUP INDEX

Group Name	Page
PUMP - PTD306T	4
PUMP - PTD406	6
CRANKCASE	8
CYLINDER HEAD	10
CRANKSHAFT and PISTON	12
CAMSHAFT and VALVE ROCKER	14
MUFFLER and AIR CLEANER	16
GOVERNOR OPERATION	18
BLOWER HOUSING and STARTER	20
FUEL TANK	22
FUEL SYSTEM	24
ACCESSORIES	26

Robin America, Inc.

940 Lively Blvd. • Wood Dale, IL 60191 • Phone: 630-350-8200 • Fax: 630-350-8212
e-mail: sales@robinamerica.com • www.robinamerica.com

© Copyright 1999 Robin America, Inc.

FIG. 1A PUMP - PTD306T

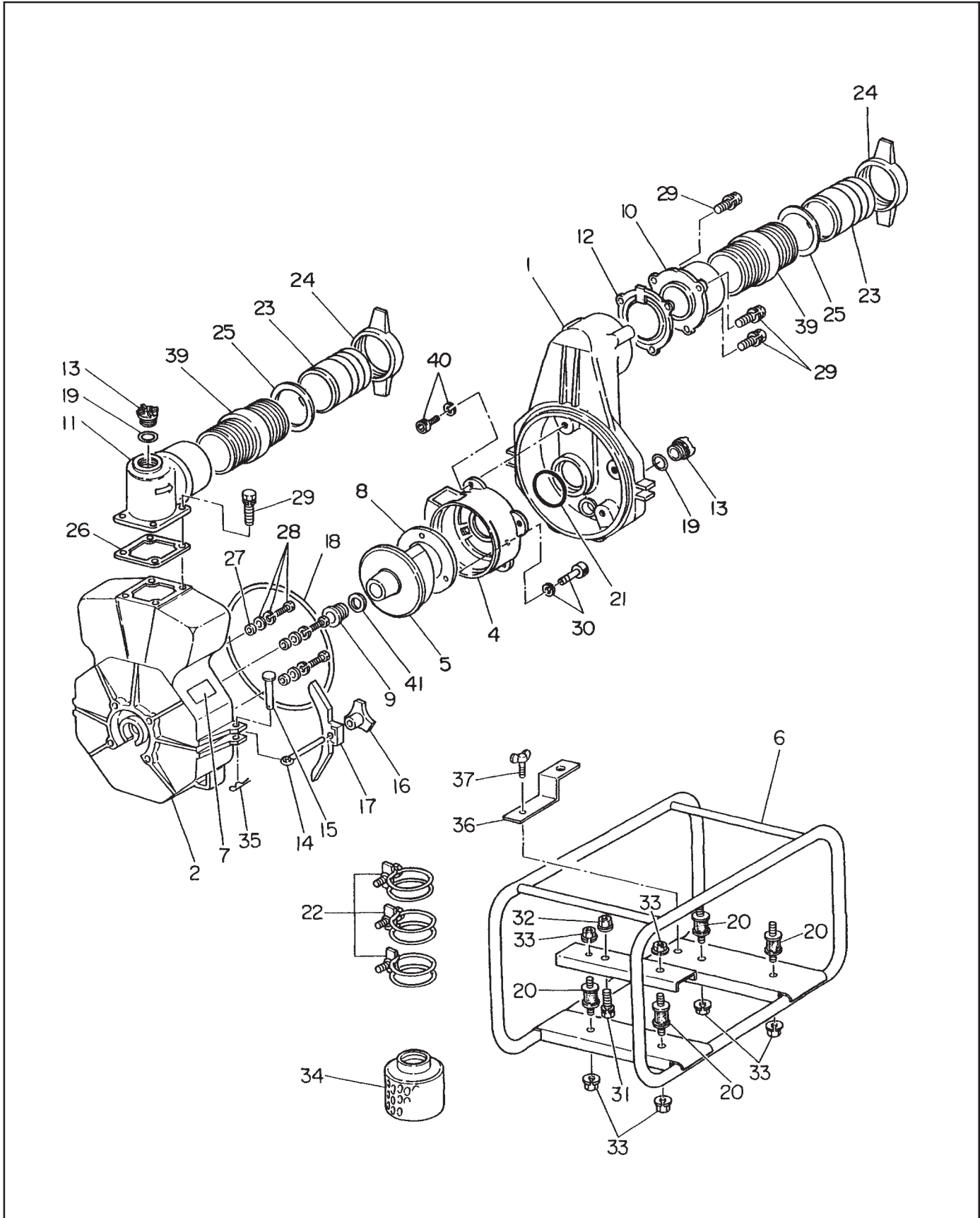


FIG. 1A PUMP - PTD306T

REF	PART NUMBER	DESCRIPTION	QTY	REMARKS
1	481-00000-68	CASING	1	
2	480-08210-02	CASING COVER	1	
4	481-00001-03	INNER CASING	1	
5	480-00001-04	IMPELLER	1	
6	481-00001-05	FRAME	1	
7	482-00214-03	LABEL, pump name	1	
8	481-00000-70	LINER	1	
9	480-08210-08	MECHANICAL SEAL	1	
10	481-00000-71	SUCTION FLANGE	1	
11	481-00000-72	DELIVERY FLANGE	1	
12	481-00000-73	CHECK VALVE	1	
13	480-08210-12	PLUG	2	
14	480-08210-13	COVER BOLT	2	
15	480-08210-14	RIVET	2	
16	480-08210-15	KNOB	2	
17	480-08210-16	CASING COVER HOLDER	2	
18	480-08210-17	PACKING, casing	1	
19	480-08210-18	"O" RING	2	
20	480-08210-19	CUSHION RUBBER	4	
21	480-08210-20	"O" RING, inner casing	1	
22	480-08010-28	HOSE BAND	3	
23	480-08210-22	NIPPLE (AL)	2	
24	481-00000-24	COUPLING HANDLE (NPT)	2	
25	480-08010-17	PACKING, nipple	2	
26	480-08010-20	PACKING, delivery flange	1	
27	480-05010-06	SEAL PACKING	4	
28	480-05210-27	BOLT and WASHER ASS'Y (M8x50)	4	
29	001-14103-00	BOLT and WASHER ASS'Y (M10x30)	7	
30	480-08210-29	SOCKET BOLT (M6x20)	3	
31	001-14104-50	BOLT and WASHER ASS'Y (M10x50)	2	
32	002-38100-00	FLANGE NUT (M10)	2	
33	480-10010-24	NUT and WASHER ASS'Y (M8)	6	
34	480-08210-33	STRAINER	1	
35	480-08210-34	SPRING PIN	2	
36	480-05210-35	SUPPORT	1	
37	480-05210-36	WING BOLT (M6x15)	1	
39	481-00000-81	NIPPLE (NPTxNPT)	2	
40	480-08210-39	SOCKET BOLT (M8x30)	3	
41	480-10010-43	SHIM (Ø24.2 x Ø20 x 0.3mm)	1	select one piece only
41	480-10010-44	SHIM (Ø24.2 x Ø20 x 0.6mm)	1	select one piece only
41	480-10010-45	SHIM (Ø24.2 x Ø20 x 1.0mm)	1	select one piece only

FIG. 1B PUMP - PTD406

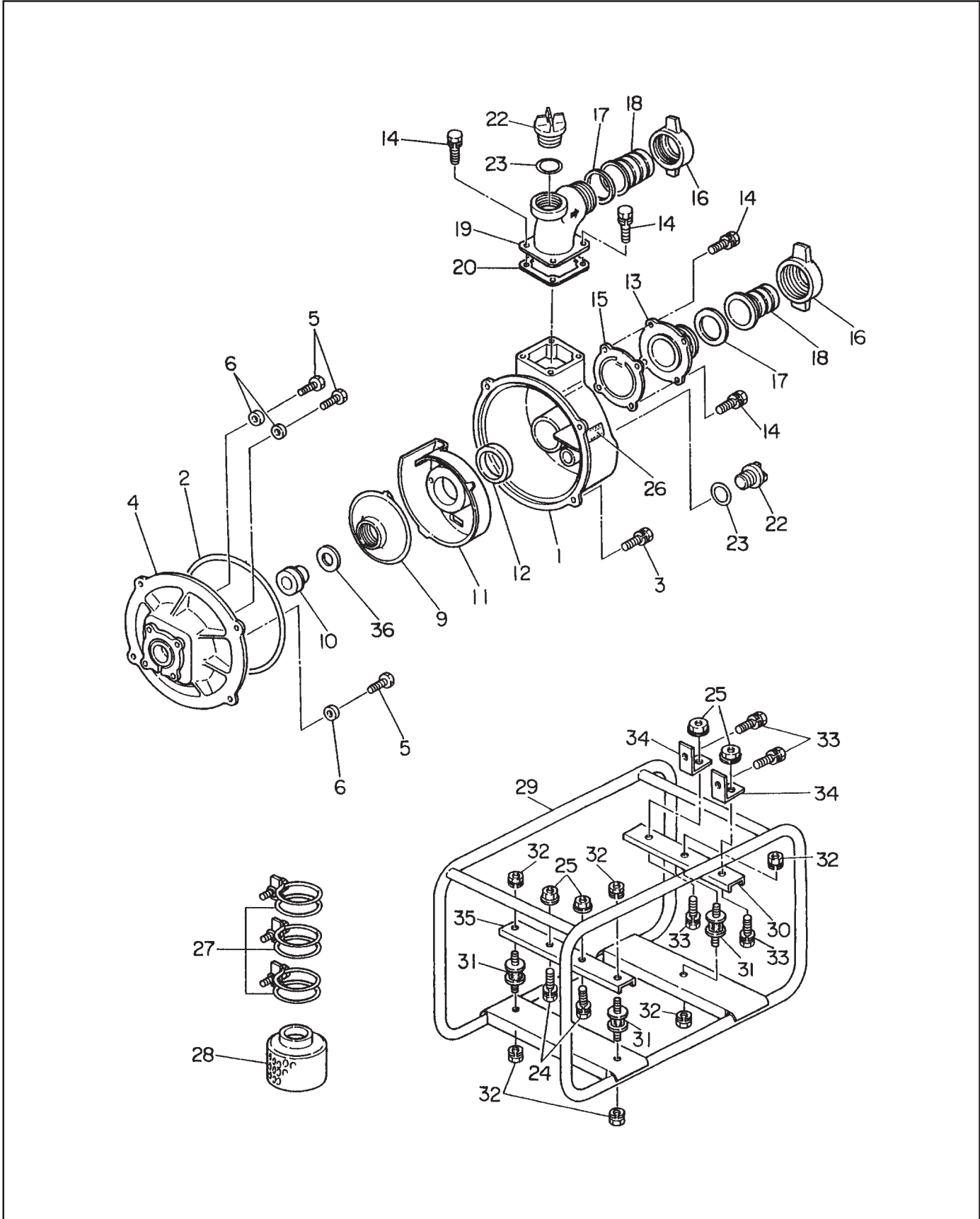


FIG. 1B PUMP - PTD406

REF	PART NUMBER	DESCRIPTION	QTY	REMARKS
1	480-10010-01	CASING	1	
2	480-10010-02	PACKING, casing	1	
3	001-14103-00	BOLT and WASHER ASS'Y (M10x30)	4	
4	481-00001-37	CASING COVER	1	
5	481-00001-38	FLANGE BOLT (M8x46)	4	
6	481-00001-33	WASHER (AL)	4	
9	480-10010-09	IMPELLER	1	
10	480-10010-10	MECHANICAL SEAL	1	
11	480-10010-11	INNER CASING	1	
12	480-10010-12	PACKING, inner casing	1	
13	481-00000-11	SUCTION FLANGE (NPT)	1	
14	001-14103-00	BOLT and WASHER ASS'Y (M10x30)	8	
15	481-00000-97	CHECK VALVE	1	
16	481-00000-12	COUPLING HANDLE (NPT)	2	
17	480-10010-17	PACKING, coupling	2	
18	480-10010-18	NIPPLE	2	
19	481-00000-13	DELIVERY FLANGE (NPT)	1	
20	480-10010-20	PACKING, delivery flange	1	
22	480-05010-21	PLUG	2	
23	480-05010-22	"O" RING	2	
24	001-13105-50	BOLT and WASHER ASS'Y (M10x50)	2	
25	002-38100-00	FLANGE NUT (M10)	4	
26	482-00215-03	LABEL, pump name	1	
27	480-10010-28	HOSE BAND	3	
28	480-10010-29	STRAINER	1	
29	481-00000-98	FRAME	1	
30	481-00000-99	BASE, pump side	1	
31	480-08210-19	CUSHION RUBBER	3	
32	480-10010-24	NUT and WASHER ASS'Y (M8)	6	
33	001-14102-00	BOLT and WASHER ASS'Y (M10x20)	4	
34	481-00001-00	BRACKET	2	
35	481-00001-01	BASE, engine side	1	
36	480-10010-43	SHIM (Ø24.2 x Ø20 x 0.3mm)	1	select one piece only
36	480-10010-44	SHIM (Ø24.2 x Ø20 x 0.6mm)	1	select one piece only
36	480-10010-45	SHIM (Ø24.2 x Ø20 x 1.0mm)	1	select one piece only

FIG. 2 CRANKCASE GROUP - PTD306T & PTD406

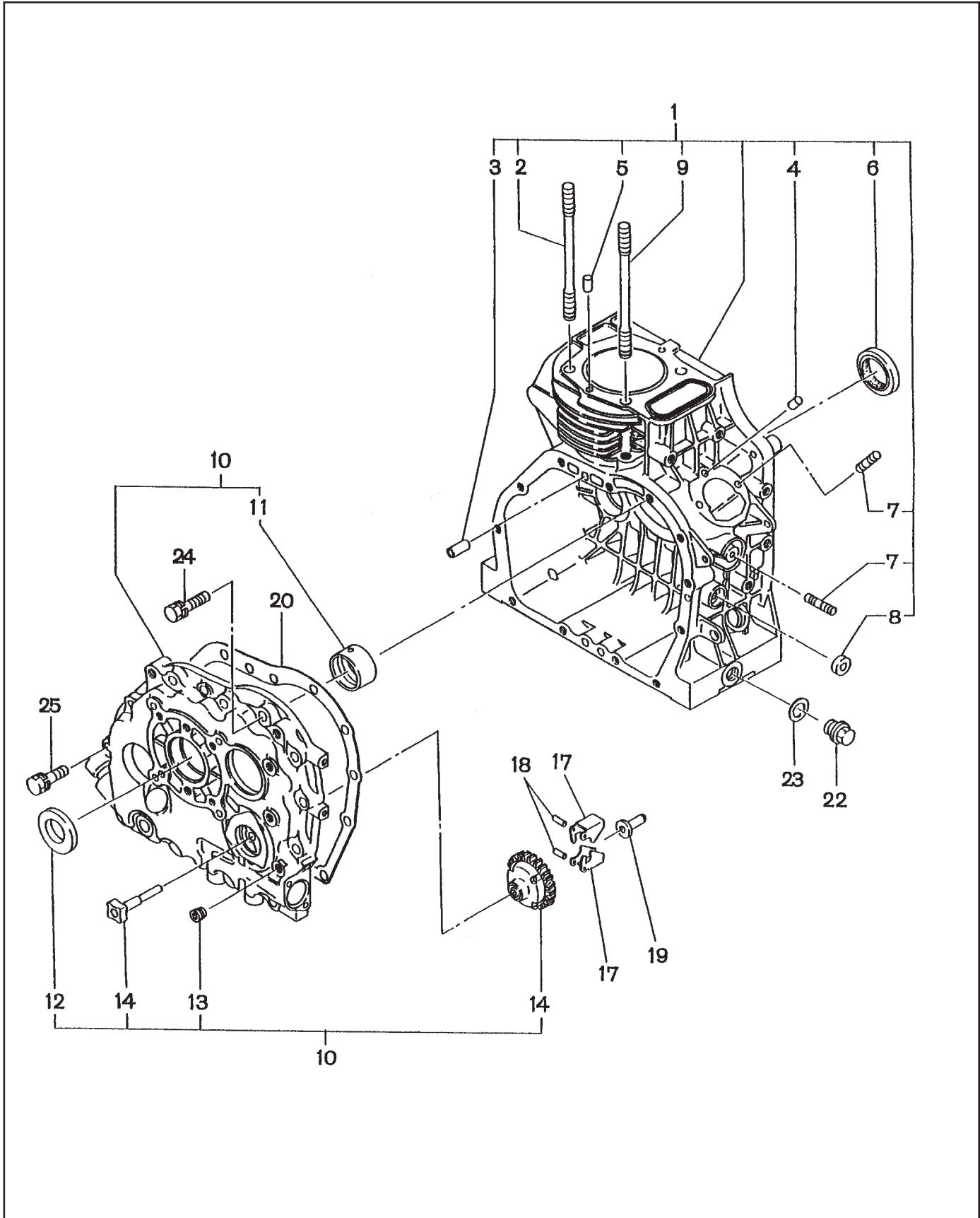


FIG. 2 CRANKCASE GROUP - PTD306T & PTD406

REF	PART NUMBER	DESCRIPTION	QTY	REMARKS
*1	244-10103-61	CRANKCASE, compl.	1	Includes items 2 thru 9
2	244-16001-11	TENSION BOLT	3	
3	005-26081-80	DOWEL PIN	2	
4	031-00500-10	DOWEL PIN	1	
5	031-00600-10	DOWEL PIN	2	
6	044-03000-60	OIL SEAL (Ø30 x Ø48 x 8mm)	1	
7	001-37062-21	STUD	3	
8	044-00800-30	OIL SEAL (Ø8 x Ø18 x 7mm)	1	
9	244-16002-11	TENSION BOLT	1	
*10	244-11002-61	MAIN BEARING COVER, compl.	1	Includes items 11 thru 14
11	243-15801-03	MAIN BEARING, STD.	1	
11	243-15802-03	MAIN BEARING, under size 0.25mm	1	
11	243-15803-03	MAIN BEARING, under size 0.50mm	1	
12	044-03000-30	OIL SEAL (Ø30 x Ø45 x 8mm)	1	
13	212-15008-13	BLIND PLUG	1	
14	243-45011-07	GOVERNOR GEAR SHAFT SET	1	
17	220-41601-03	FLYWEIGHT	2	
18	030-73000-70	PIN	2	
19	205-41901-03	GOVERNOR SLEEVE	1	
20	243-15026-03	GASKET, bearing cover	1	
22	040-11400-30	PLUG	2	
23	021-11400-20	GASKET	2	
24	001-13083-50	BOLT and WASHER ASS'Y	12	
25	001-13084-00	BOLT and WASHER ASS'Y	1	
*	256-99001-07	GASKET SET	1	Includes items Fig. 2-20,23 Fig.3-7,8 Fig.6-6,12,13 Fig.10-23

FIG. 3 CYLINDER HEAD GROUP- PTD306T & PTD406

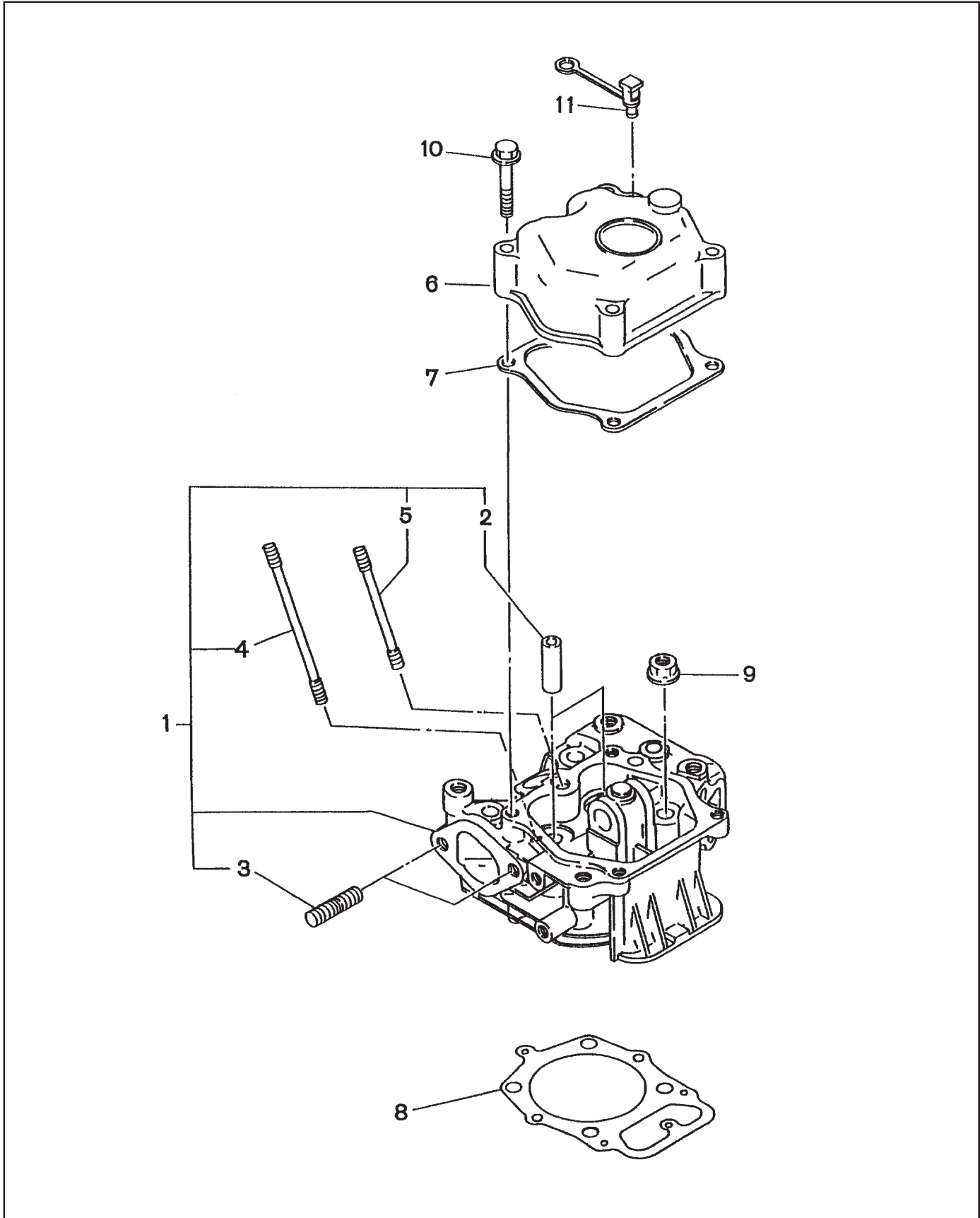


FIG. 4 CRANKSHAFT and PISTON GROUP - PTD306T & PTD406

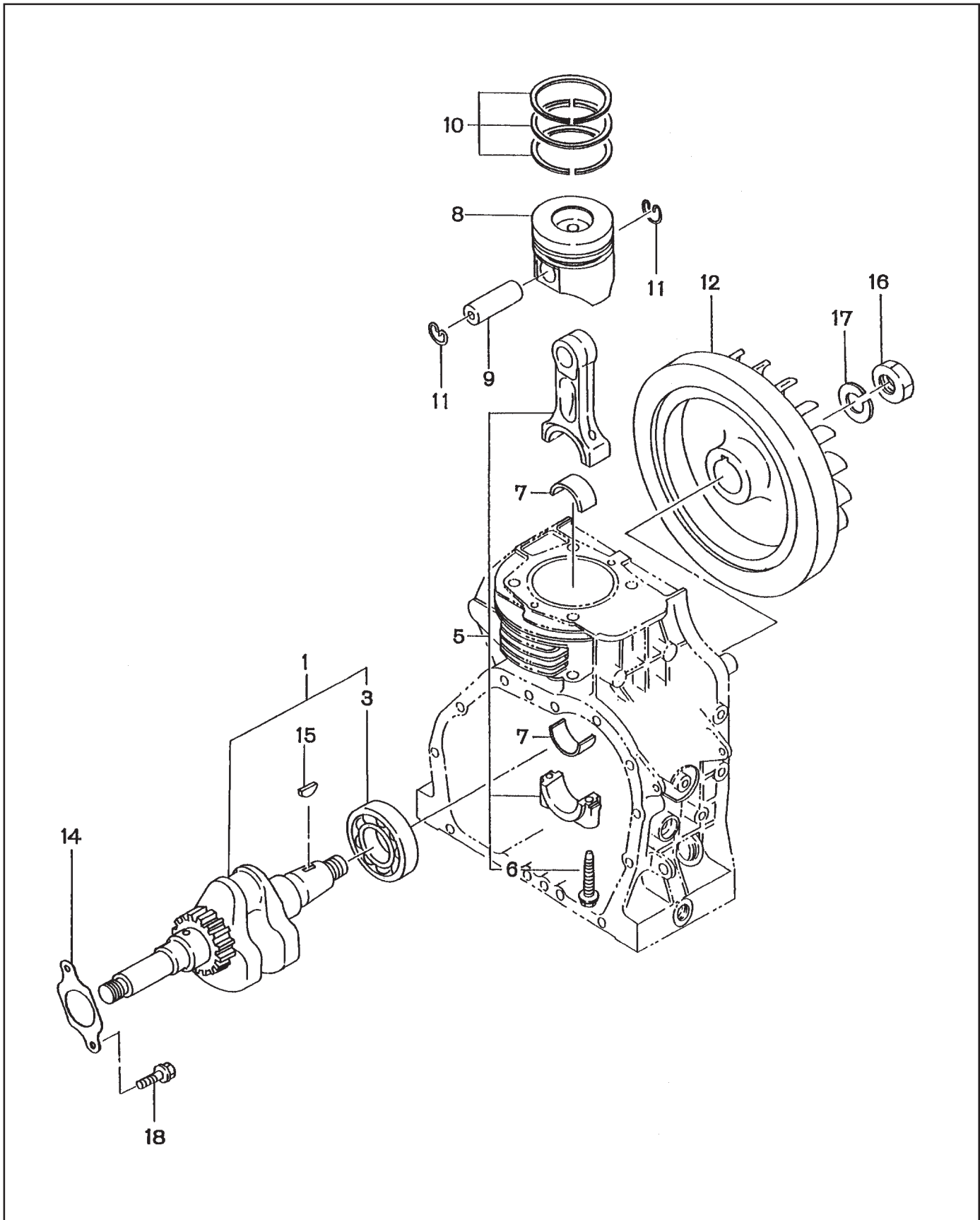


FIG. 4 CRANKSHAFT and PISTON GROUP - PTD306T & PTD406

REF	PART NUMBER	DESCRIPTION	QTY	REMARKS
*1	244-20301-31	CRANKSHAFT, compl.	1	Includes item 3
3	060-03500-20	BALL BEARING	1	
*5	243-22510-00	CONNECTING ROD ASS'Y	1	Includes item 6
6	243-23002-03	CONNECTING ROD BOLT	2	
7	243-22801-03	LARGE END BEARING, STD.	2	
7	243-22802-03	LARGE END BEARING, under size 0.25mm	2	
7	243-22803-03	LARGE END BEARING, under size 0.50mm	2	
8	244-23401-13	PISTON, STD.	1	
8	244-23402-13	PISTON, over size 0.25mm	1	
8	244-23403-13	PISTON, over size 0.50mm	1	
9	243-23301-03	PISTON PIN	1	
10	244-23501-27	PISTON RING SET, STD.	1	
10	244-23502-27	PISTON RING SET, over size 0.25mm	1	
10	244-23503-27	PISTON RING SET, over size 0.50mm	1	
11	056-52000-30	CLIP	2	
12	243-22410-13	FLYWHEEL	1	
14	243-25001-03	THRUST WASHER (t=0.8)	1	select one piece only
14	243-25002-03	THRUST WASHER (t=1.0)	1	select one piece only
14	243-25003-03	THRUST WASHER (t=1.2)	1	select one piece only
15	032-30300-10	WOODRUFF KEY	1	
16	002-18180-00	NUT	1	
17	003-20180-00	SPRING WASHER	1	
18	011-00600-10	FLANGE BOLT	2	

FIG. 5 CAMSHAFT and VALVE ROCKER GROUP- PTD306T & PTD406

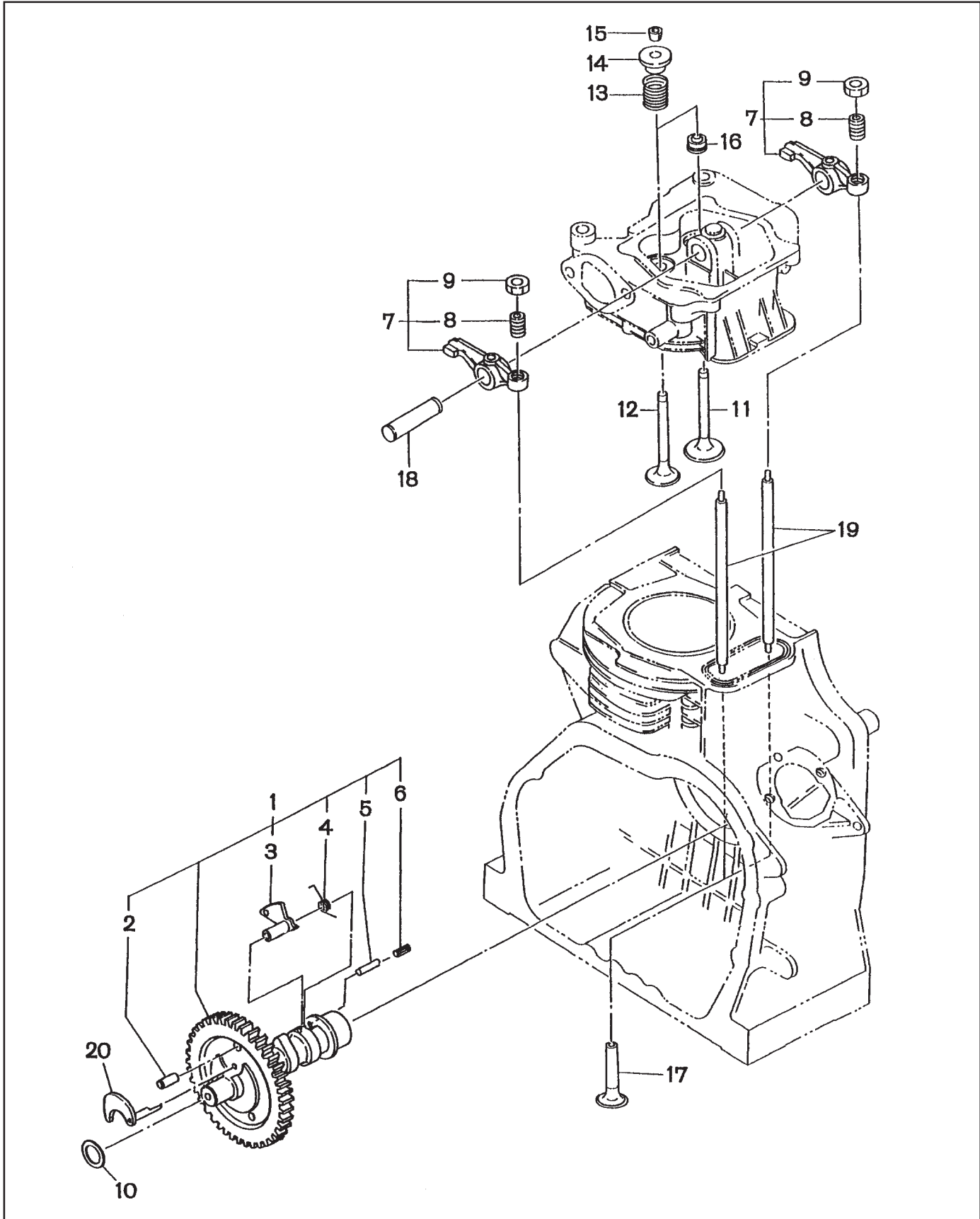


FIG. 5 CAMSHAFT and VALVE ROCKER GROUP- PTD306T & PTD406

REF	PART NUMBER	DESCRIPTION	QTY	REMARKS
*1	243-31702-41	CAMSHAFT, compl.	1	Includes items 1 thru 6
2	005-26081-80	DOWEL PIN	1	
3	243-35505-03	RELEASE LEVER	1	
4	243-35021-03	SPRING, RELEASE	1	
5	243-35022-03	SHAFT, RELEASE	1	
6	005-19031-20	SPRING PIN	1	
*7	243-36002-01	ROCKER ARM, compl.	2	Includes items 8 and 9
8	014-90800-21	ADJUSTING SCREW	2	
9	017-00800-90	NUT	2	
10	023-01900-20	SPACER (t=0.8)	1	select one piece only
10	023-01900-30	SPACER (t=1.0)	1	select one piece only
11	243-33401-23	INTAKE VALVE	1	
12	243-33501-23	EXHAUST VALVE	1	
13	243-33601-03	VALVE SPRING	2	
14	243-33701-13	SPRING RETAINER	2	
15	243-33801-13	RETAINER LOCK	4	
16	237-16008-01	STEM SEAL	1	
17	243-33301-03	TAPPET	2	
18	243-35034-03	ROCKER SHAFT	1	
19	243-35032-01	PUSH ROD, compl.	2	
20	243-35503-23	RELEASE LEVER	1	

FIG. 6 MUFFLER and AIR CLEANER GROUP- PTD306T & PTD406

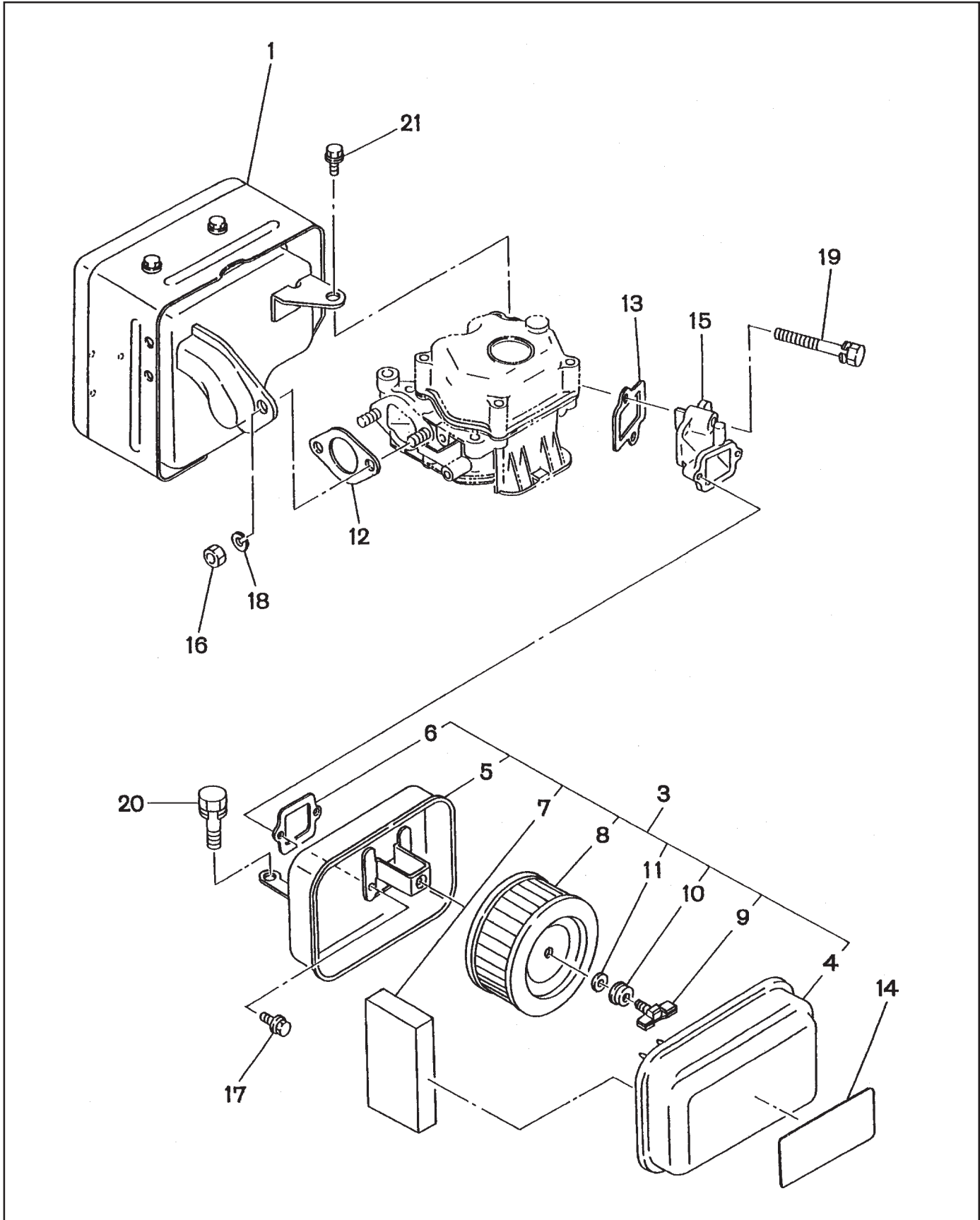


FIG. 7 GOVERNOR OPERATION GROUP- PTD306T & PTD406

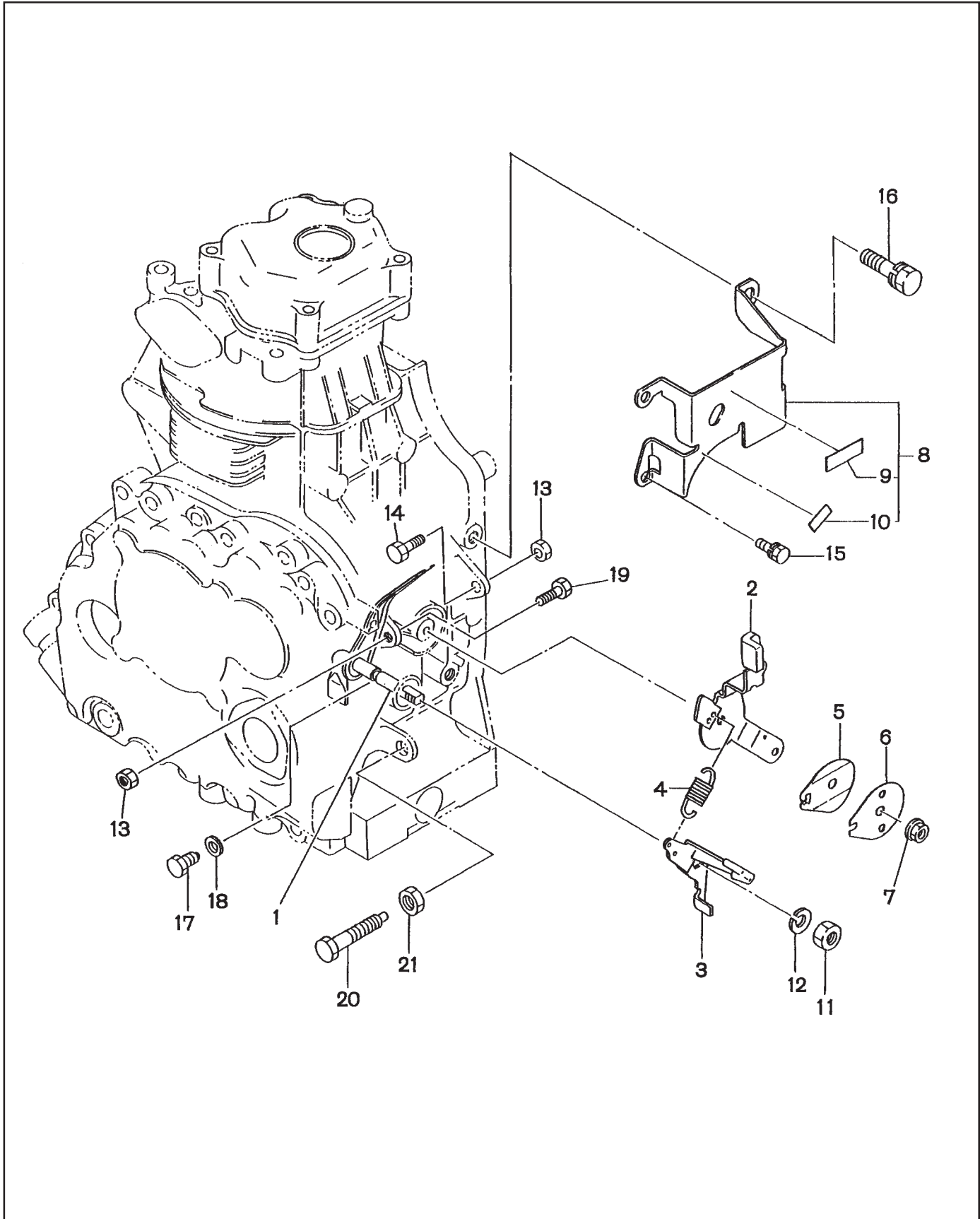


FIG. 7 GOVERNOR OPERATION GROUP- PTD306T & PTD406

REF	PART NUMBER	DESCRIPTION	QTY	REMARKS
1	243-42301-12	GOVERNOR LEVER UNIT	1	
2	243-43302-10	SPEED CONTROL ASS'Y	1	
3	243-42902-21	CONTROL LINK	1	
4	243-42503-01	GOVERNOR SPRING	1	
5	227-45002-03	SPRING WASHER	1	
6	227-43501-13	STOP PLATE	1	
7	017-60600-30	SELF LOCK NUT	1	
*8	243-40166-01	CONTROL PANEL, compl.	1	Includes items 9,10
9	243-92101-03	LABEL, operation	1	
10	243-92102-03	LABEL, operation	1	
11	002-18080-00	NUT	1	
12	003-20080-00	SPRING WASHER	1	
13	002-18060-00	NUT	2	
14	001-66063-00	BOLT	1	
15	001-13061-20	BOLT and WASHER ASS'Y	2	
16	001-13081-60	BOLT and WASHER ASS'Y	2	
17	243-45002-03	BOLT	1	
18	003-10060-00	WASHER	1	
19	010-00603-70	BOLT	1	
20	243-45501-10	SMOKE SET ASS'Y	1	
21	002-27100-00	NUT	1	

FIG. 8 BLOWER HOUSING and STARTER GROUP- PTD306T & PTD406

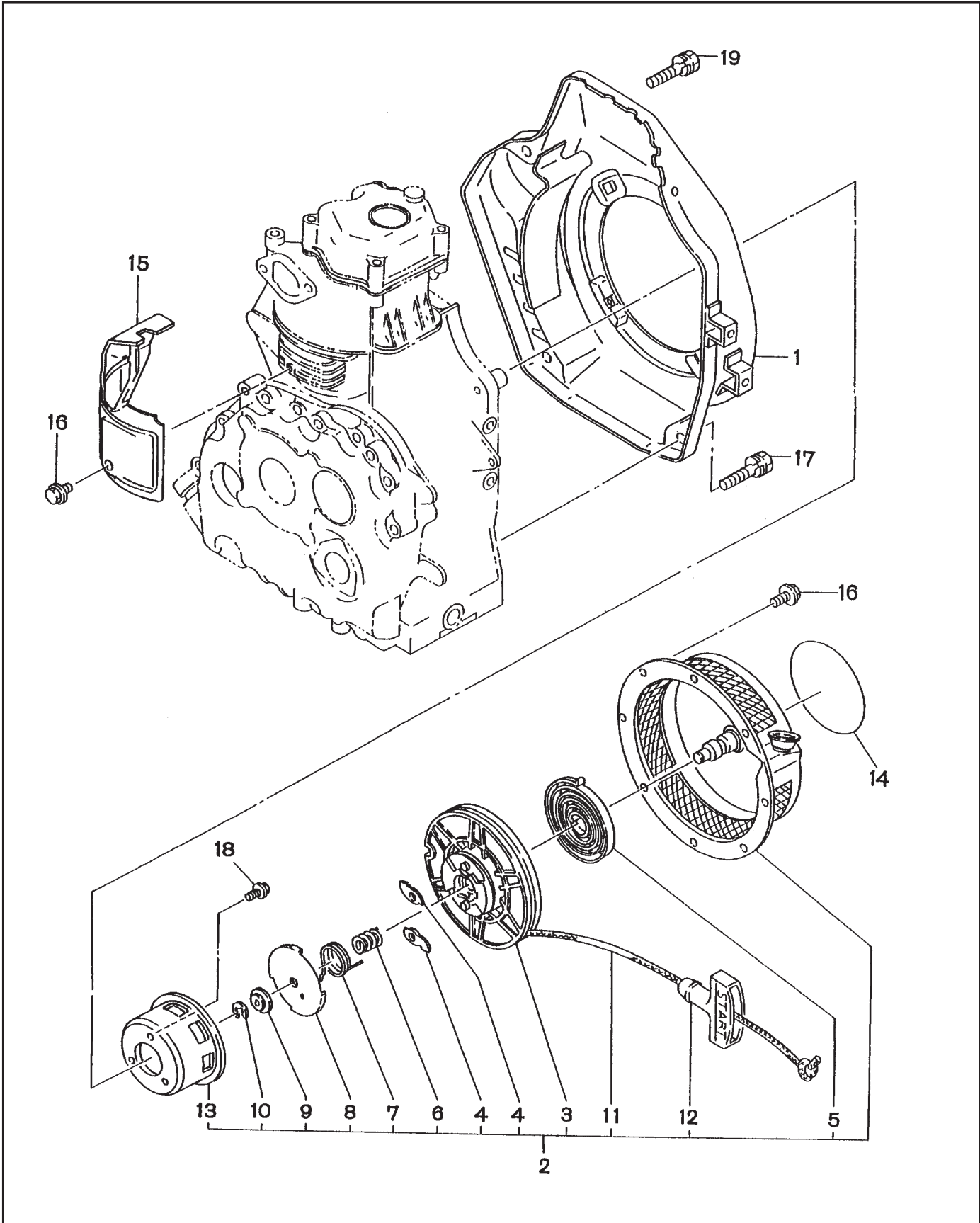


FIG. 9 FUEL TANK GROUP- PTD306T & PTD406

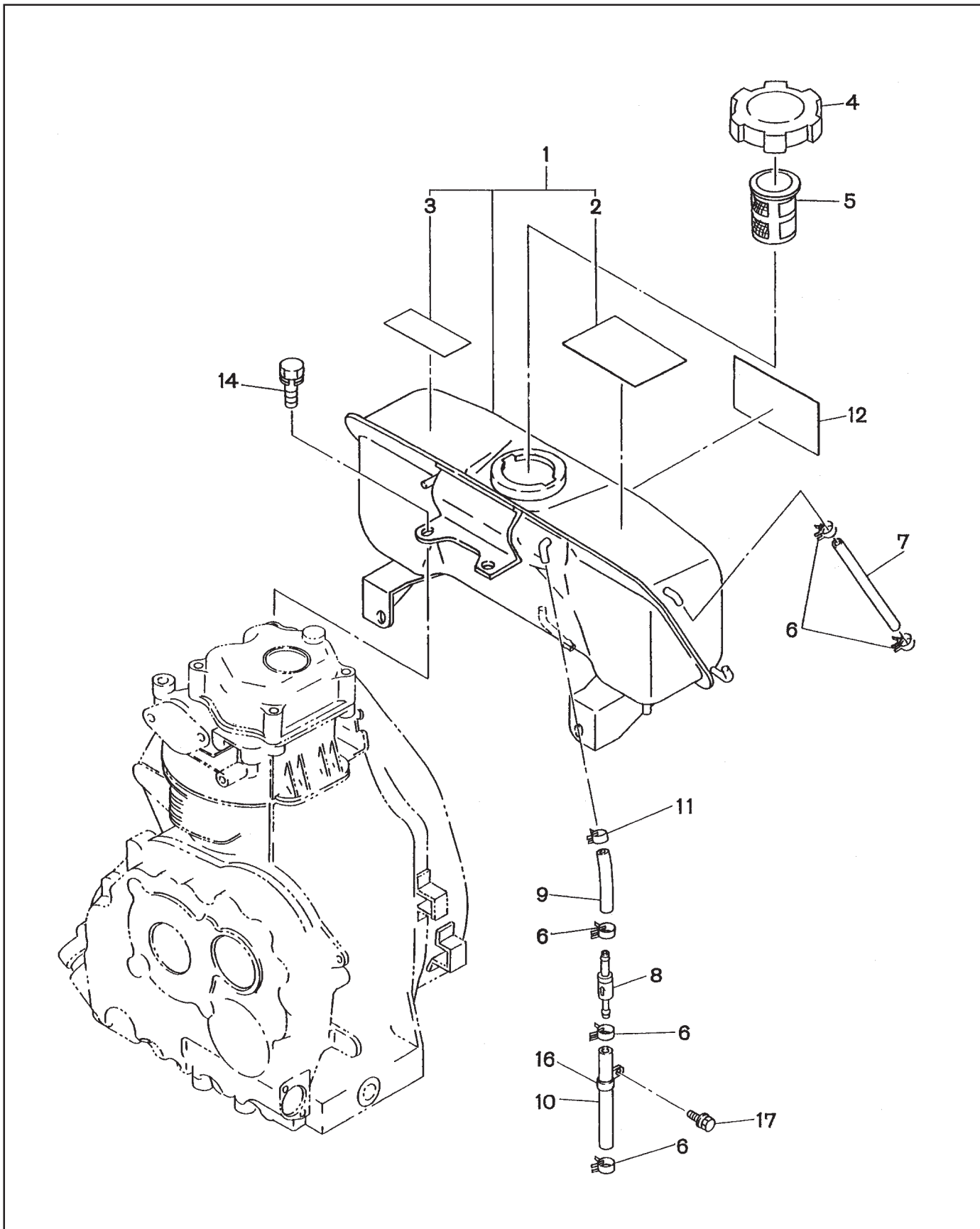


FIG. 10 FUEL SYSTEM GROUP- PTD306T & PTD406

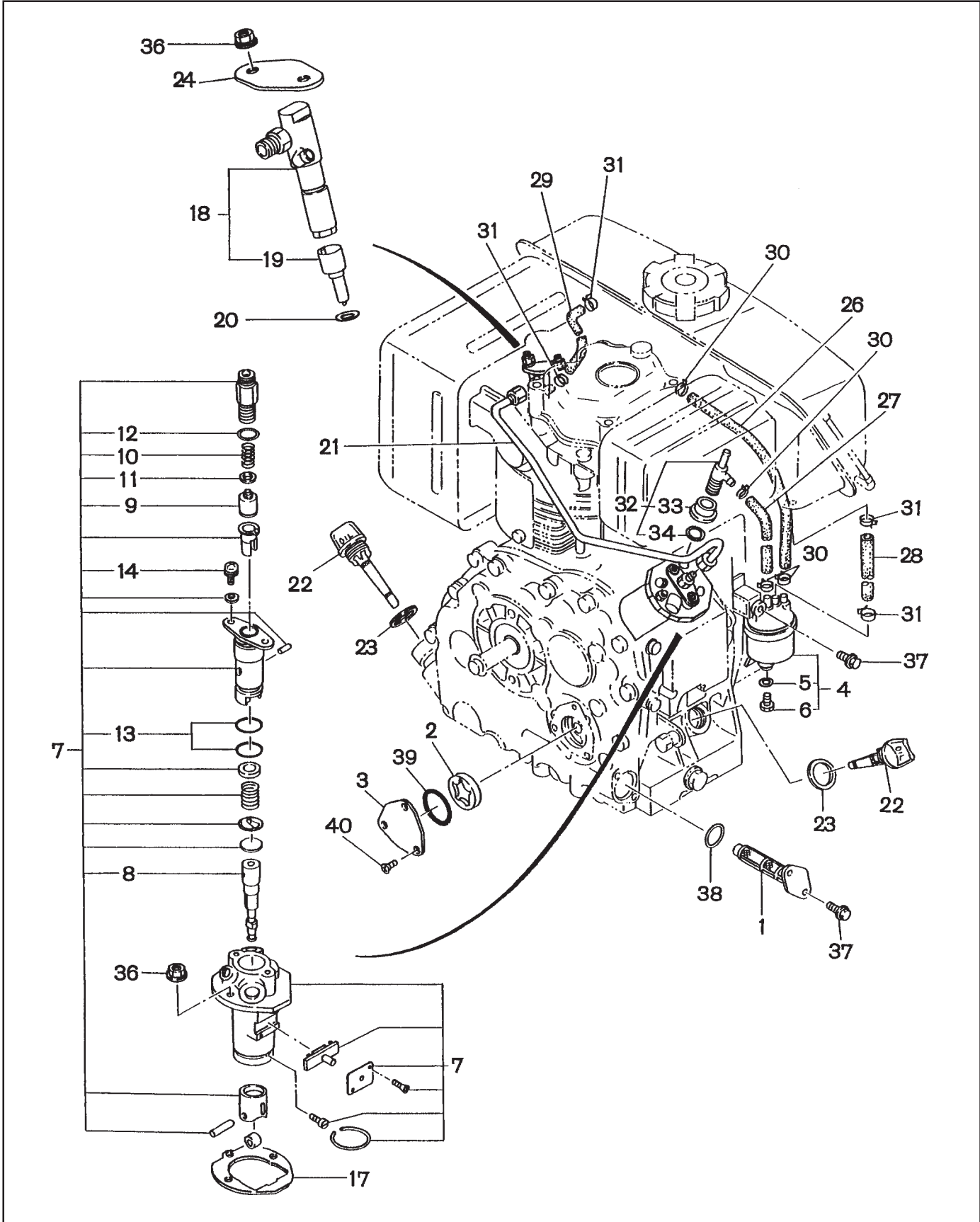
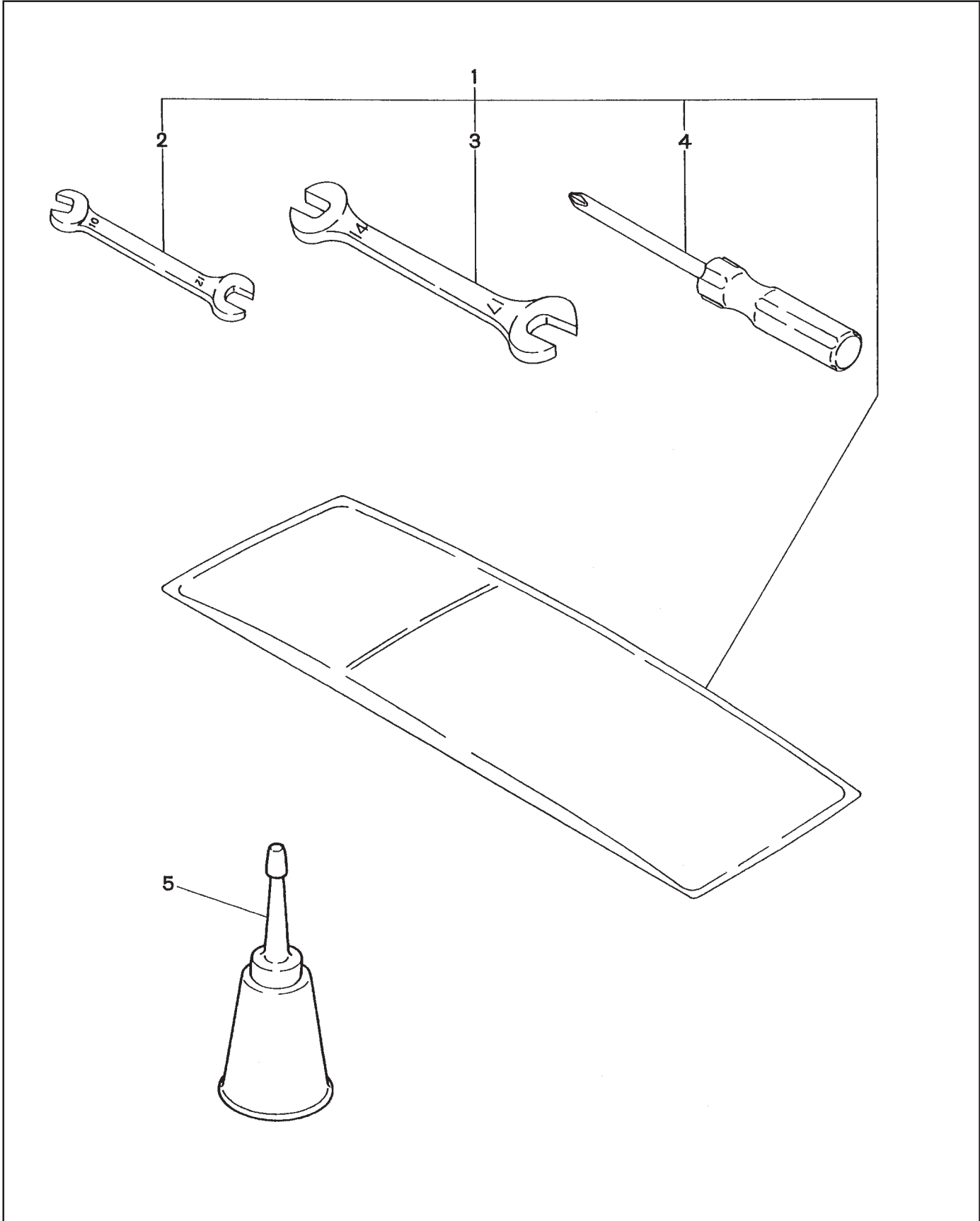


FIG. 10 FUEL SYSTEM GROUP- PTD306T & PTD406

REF	PART NUMBER	DESCRIPTION	QTY	REMARKS
1	243-64301-00	OIL FILTER ASS'Y	1	
2	228-63902-03	OIL PUMP, outer	1	
3	243-66020-01	COVER, oil pump	1	
*4	243-62101-20	FUEL FILTER ASS'Y	1	Includes items 5,6
5	228-62112-08	PACKING	1	
6	228-62111-08	PLUG	1	
*7	255-63103-00	INJECTION PUMP ASS'Y	1	Includes items 8 thru 14
8	243-63131-08	PLUNGER ASS'Y	1	
9	243-63103-08	DELIVERY VALVE	1	
10	243-63104-08	SPRING D.V.	1	
11	243-63105-08	GASKET	1	
12	243-63107-08	"O" RING	1	
13	243-63129-08	"O" RING	2	
14	243-63130-08	SCREW	2	
17	243-65001-03	GASKET, injection pump(t=0.1)	1	select one piece only
17	243-65002-03	GASKET, injection pump(t=0.2)	1	select one piece only
17	243-65003-03	GASKET, injection pump(t=0.3)	1	select one piece only
*18	243-63201-00	NOZZLE ASS'Y	1	Includes item 19
19	243-63204-08	NOZZLE	1	
20	228-65004-03	GASKET, nozzle	1	
21	243-63301-21	INJECTION PIPE, compl.	1	
22	214-63601-13	OIL GAUGE	2	
23	021-32000-10	GASKET	2	
24	243-66001-01	BRACKET, nozzle 1	1	
26	085-10600-00	RUBBER PIPE (Ø6 x Ø12 x 180mm)	1	
27	085-10600-00	RUBBER PIPE (Ø6 x Ø12 x 120mm)	1	
28	085-14500-00	RUBBER PIPE (Ø4.5 x Ø9 x 90mm)	1	
29	085-14500-00	RUBBER PIPE (Ø4.5 x Ø9 x 135mm)	1	
30	056-11100-20	HOSE CLAMP	4	
31	056-10800-10	HOSE CLAMP	4	
*32	243-66520-10	T-CONNECTOR ASS'Y	1	Includes items 33,34
33	243-66521-08	NUT	1	
34	243-66506-08	PACKING	1	
36	002-38060-00	FLANGE NUT	4	
37	001-14061-60	BOLT and WASHER ASS'Y	4	
38	006-26202-00	"O" RING	1	
39	006-26103-30	"O" RING	1	
40	004-11061-60	SCREW	3	

FIG. 11 ACCESSORIES GROUP- PTD306T & PTD406



PRINTED IN THE USA