

0CU10-M02900EN

Introduction

1. This parts catalog is a first edition of the YDG5500N-5B, YDG5500N-5F, YDG5500N-5EB, YDG5500N-5EF Diesel generator.

	Parts catalog No.	Date of issue	Remarks
First edition	0CU10-G02900	Nov., 2008	

2. This parts catalog does not contain the technical data needed for maintenance service.

3. The illustrations used in this parts catalog have been simplified for clarity.

4. Specification

Model	Column	Frequency (Hz)	Engine model	Starting system
YDG5500N-5B	A	50	L100N5-GY	Recoil starter
YDG5500N-5F	B			
YDG5500N-5EB	C		L100N5-GEY	Electric starting (Recoil starter)
YDG5500N-5EF	D			

5. The contents of this parts catalog are subject to change without notice.

6. Be sure to use only Yanmar genuine part for repairs. If imitation parts are used, it may cause engine defects.

Directions for the Parts Catalog.

1. This Parts Catalog shows both standard and optional parts.
2. Parts may change without prior notice.
3. The following is an example of the Parts Catalog format.

REF.	LEV.	PARTS NO.	DESCRIPTION	Q'TY						I	R
				(A)	(B)	(C)	(D)	(E)	(F)		
1	1	729595-51390	FUEL INJECTION PUMP	1	1	1	1	1			1
1-1	1	729595-51391	FUEL INJECTION PUMP	1	1	1	1	1		N	1
		(A=E00185) (B=E00200)									
3	2	26022-060162	SCREW M 6X 16	9	9	9	9	9			
3-1	2	26022-060162	SCREW M 6X 16	4	4	4	4	4		K	
		(A=E00156) (B=E00156) (C=E00156) (D=E00156) (E=E00156)									
4	2	129470-51040	CAMSHAFT	1	1	1	1	1			
5	2	122710-51050	BEARING, ROLLER	2	2	2	2	2			
6	2	129470-51060	RETAINER	1	1	1	1	1			

Remarks
(1) BOOST COMPEMSATOR TYPE. OPTIONAL PART, TO E00155,(4JH-DT, 4JH-DTZ

① Ref. No.

The Ref. No. listed may not be in accordance with the illustration Ref. No.

(Ex.) Illustration No.

List Ref No.

1

1

(Before change)

1-1

(After change)

For interchangeable symbols N, R and K, illustrations for new parts may be abbreviated.

② Lev. (Level)

Level indication

The numbers below indicate the level of relativity towards the main part.

1 ----- Main parts (Assembly parts)

2 ----- Sub component included in " 1 ".

3 ----- Sub component included in " 2 ".

Note) Parts that are not for sale are partially illustrated but not listed.

③ Interchangeability Symbol

When a part change takes place, one of the following interchangeability symbols is indicated beside the part.

Symbol	Interchangeability	Contents note
N	Old $\begin{matrix} \leftarrow \text{Yes} \\ \text{No} \rightarrow \end{matrix}$ New	New Part is interchangeable for Old Part but Old Part is not interchangeable for New Part.
Q	Old $\begin{matrix} \leftarrow \text{No} \\ \text{Yes} \rightarrow \end{matrix}$ New	New Part is not interchangeable for Old Part but Old Part is interchangeable for New Part.
R	Old $\begin{matrix} \leftarrow \text{Yes} \\ \text{Yes} \rightarrow \end{matrix}$ New	New/ Old Parts are both interchangeable.
S	Old $\begin{matrix} \leftarrow \text{No} \\ \text{No} \rightarrow \end{matrix}$ New	New/ Old Parts are both not interchangeable.
W		Part newly added.
Z		Part discontinued.
F		Not interchangeable by a single part but interchangeable together with related parts.
K		Changes only for used parts quantities.

④ Effective Machine No.

When a part changes, the effective Machine No. will be indicated in the (A)-(F) column.

Product Symbol	Product No.	Product Symbol	Product No.
C	Clutch No. Compressor No.	F	Machine No. (Agricultural Equip.)
D	Drive No.	M	Machine No.
E	Engine No.		

Note 1) A date may follow the symbol. (Ex.) 1996.01

Note 2) "XXXXX" and "ZZZZZ" are for parts that could not be predicted or for engine models that could not be identified.

Note 3) (A=E00185) is the E (Engine Serial Number) for the column (A) model (in this case 4JH-DT) after the parts design change.

⑤ Remarks

Figures or alphabets (symbols) are entered in the remarks column.

The comments (remarks) on parts that are indicated at the bottom of the illustration are the same symbols as those stated above.

Contents

Fig. No. Fig. Name

YDG5500N

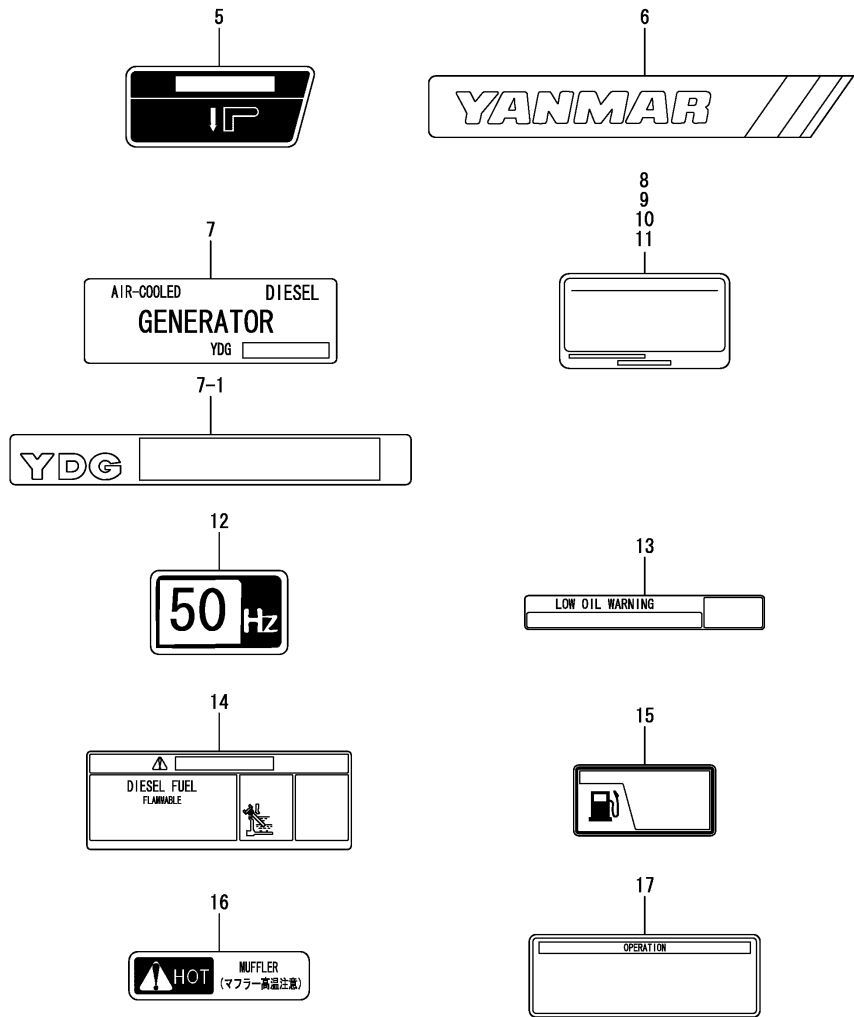
1. LABEL
2. FRAME & BATTERY
3. FUEL TANK & FUEL PIPE
4. GENERATOR
5. PANEL(YDG5500N-5B,5F)
6. PANEL(YDG5500N-5EB,5EF)

Fig. No. Fig. Name

Fig.1. LABEL

(A)=YDG5500N-5B
 (B)=YDG5500N-5F
 (C)=YDG5500N-5EB

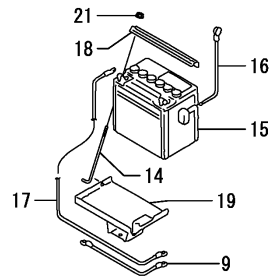
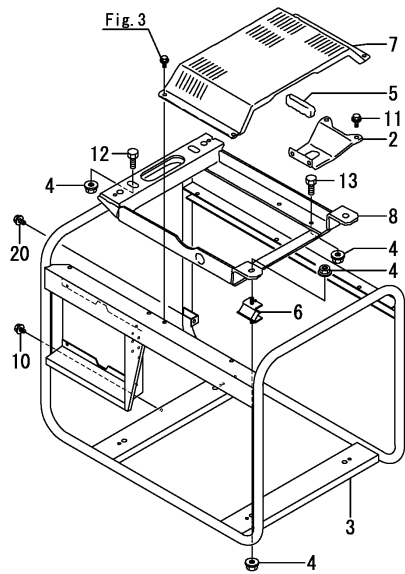
(D)=YDG5500N-5EF
 (E)=
 (F)=



No.	Lev.	Parts No.	Description	Q'ty						I	R
				(A)	(B)	(C)	(D)	(E)	(F)		
5	1	183054-08100	MARK PLATE,DC	1	1	1	1				
6	1	183054-08110	MARK PLATE,YM	1	1	1	1				
7	1	183054-08120	MARK PLATE,MODEL	1	1	1	1				
7-1	1	183056-08120	LABEL, MODEL (A=EZZZZZ) (B=EZZZZZ) (C=EZZZZZ) (D=EZZZZZ)	1	1	1	1				N
8	1	183056-08160	MARK PLATE,PW	1							
9	1	183056-08170	MARK PLATE,PW		1						
10	1	183056-08180	MARK PLATE,PW			1					
11	1	183056-08190	MARK PLATE,PW				1				
12	1	183054-08200	LABEL,50HZ	1	1	1	1				
13	1	183054-08220	LABEL,OIL WARNING	1	1	1	1				
14	1	183054-08230	LABEL,CAUTION	1	1	1	1				
15	1	183054-08240	LABEL,DIESEL FUEL	1	1	1	1				
16	1	183054-08250	LABEL,MUFFLER CAUTIO	1	1	1	1				
17	1	183054-08270	LABEL,OPERATION	1	1	1	1				

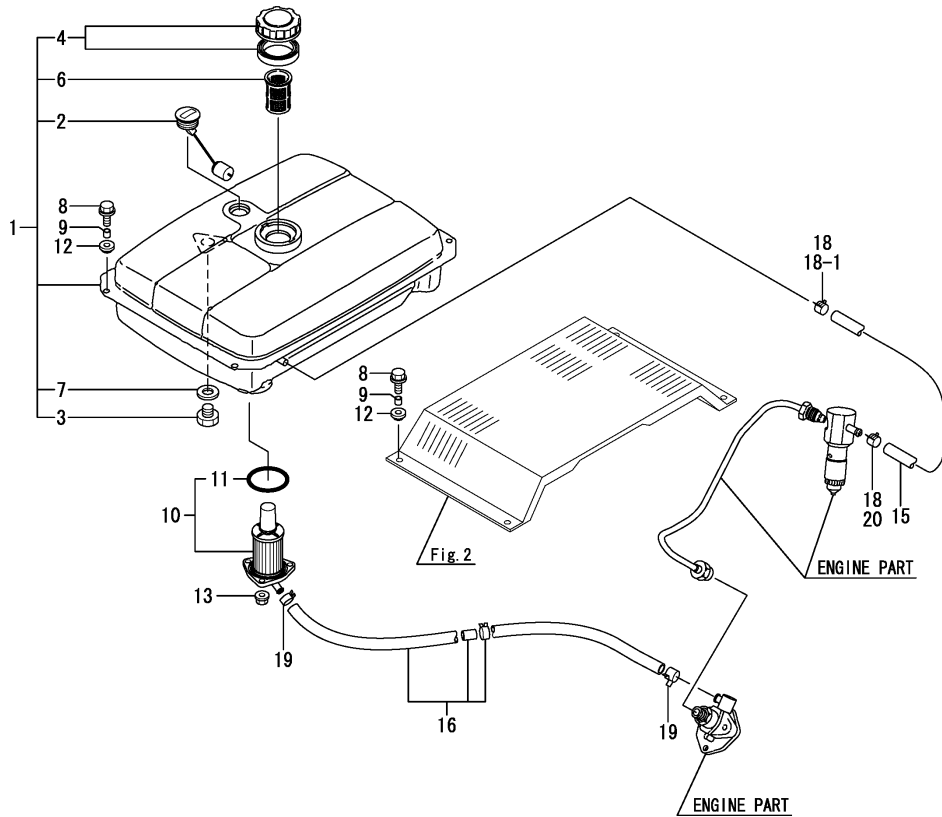
Fig.2. FRAME & BATTERY

(A)=YDG5500N-5B (D)=YDG5500N-5EF
 (B)=YDG5500N-5F (E)=
 (C)=YDG5500N-5EB (F)=



No.	Lev.	Parts No.	Description	Q'ty						I	R
				(A)	(B)	(C)	(D)	(E)	(F)		
2	1	183055-08320	STOPPER	1	1	1	1				
3	1	183056-08420	FRAME	1	1	1	1				
4	1	183054-08430	NUT	10	10	10	10				
5	1	183054-08450	RUBBER	1	1	1	1				
6	1	183056-08460	DAMPER	4	4	4	4				
7	1	183056-08470	COVER,ENGINE(RED:50	1	1	1	1				
8	1	183056-08480	STAY,DAMPER	1	1	1	1				
9	1	183056-74500	EARTH CORD,CMP	1	1	1	1				
10	1	26106-060082	BOLT, M6X 8 PLATED	1	1	1	1				
11	1	26106-080162	BOLT, M8X 16 PLATED	2	2	2	2				
12	1	26136-100302	BOLT, M10X 30 PLATED	2	2	2	2				
13	1	26136-100352	BOLT, M10X 35 PLATED	2	2	2	2				
14	1	183055-79110	BOLT,CLAMP			2	2				
15	1	183056-79120	BATTERY(44B19L)			1	1				
16	1	183056-79130	CABLE(+)			1	1				
17	1	183056-79140	CABLE(-)			1	1				
18	1	183054-79150	RETAINER			1	1				
19	1	183055-79150	BRACKET,BATTERY			1	1				
20	1	26106-060102	BOLT, M6X 10 PLATED			3	3				
21	1	26366-050002	NUT, M5			2	2				

Fig.3. FUEL TANK & FUEL PIPE



(A)=YDG5500N-5B
 (B)=YDG5500N-5F
 (C)=YDG5500N-5EB

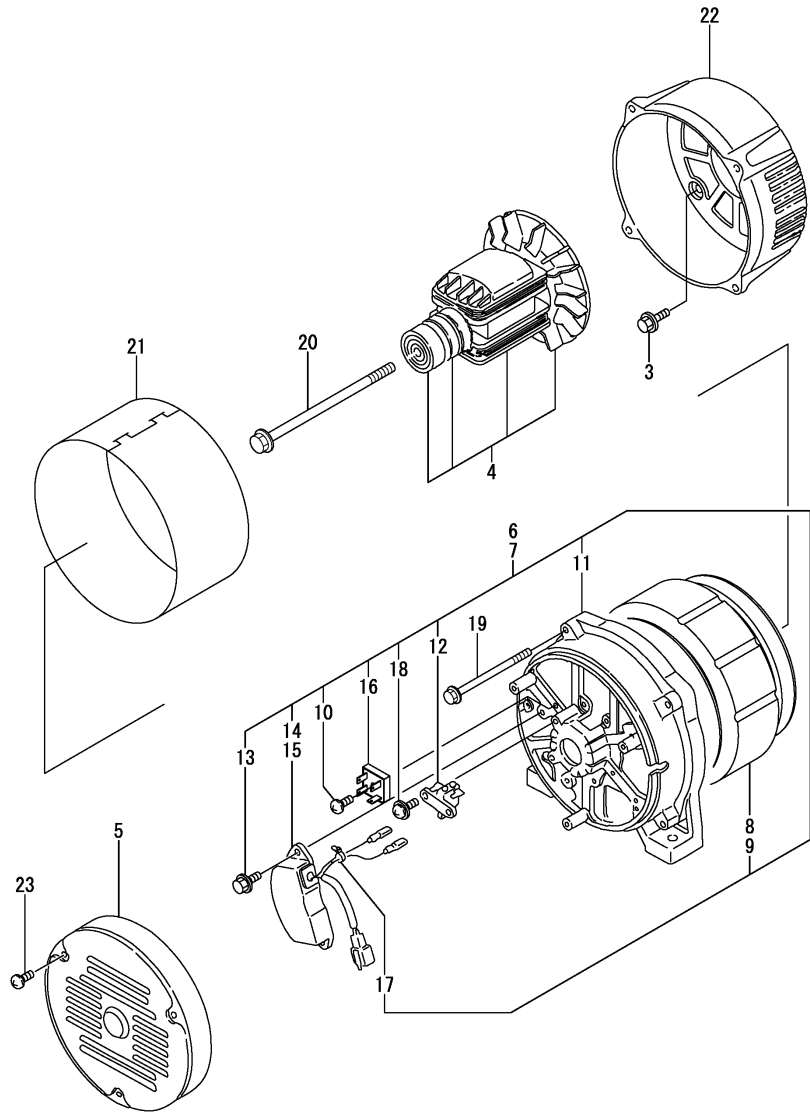
(D)=YDG5500N-5EF
 (E)=
 (F)=

No.	Lev.	Parts No.	Description	Q'ty						I	R
				(A)	(B)	(C)	(D)	(E)	(F)		
1	1	183055-55100	TANK CMP	1	1	1	1				
2	2	183055-55110	GAUGE,FUEL OIL	1	1	1	1				
3	2	183054-55140	PLUG,DRAIN	1	1	1	1				
4	2	183054-55150	CAP ASSY,FUEL TANK	1	1	1	1				
6	2	183054-55160	STRAINER,FUEL TANK	1	1	1	1				
7	2	22190-120002	WASHER, SEAL 12	1	1	1	1				
8	1	183054-55120	BOLT	8	8	8	8				
9	1	183054-55130	SPACER	8	8	8	8				
10	1	183054-55170	STRAINER ASSY,FUEL	1	1	1	1				
11	2	24341-000450	O-RING, 1AS45.0	1	1	1	1				
12	1	183054-55180	GROMMET	8	8	8	8				
13	1	26366-060002	NUT, M6	3	3	3	3				
15	1	183056-59100	PIPE,FUEL RETURN	1	1	1	1				
16	1	183056-59110	PIPE,FUEL OIL	1	1	1	1				
18	1	183054-59130	CLAMP 9	2	2	2	2				
18-1	1	183054-59130	CLAMP 9	1	1	1	1				K
		(A=EZZZZZ)	(B=EZZZZZ)	(C=EZZZZZ)	(D=EZZZZZ)						
19	1	23080-014000	CLAMP, 14	2	2	2	2				
20	1	124066-59100	CLIP, HOSE 8	1	1	1	1				W
		(A=EZZZZZ)	(B=EZZZZZ)	(C=EZZZZZ)	(D=EZZZZZ)						

Fig.4. GENERATOR

(A)=YDG5500N-5B
 (B)=YDG5500N-5F
 (C)=YDG5500N-5EB

(D)=YDG5500N-5EF
 (E)=
 (F)=



No.	Lev.	Parts No.	Description	Q'ty						I	R
				(A)	(B)	(C)	(D)	(E)	(F)		
3	1	183054-55120	BOLT	4	4	4	4				
4	1	183056-74110	ROTOR ASSY	1	1	1	1				
5	1	183056-74120	COVER,END	1	1	1	1				
6	1	183056-74140	STATOR ASSY	1		1					
7	1	183056-74150	STATOR ASSY		1		1				
8	2	183056-74170	STATOR	1		1					
9	2	183056-74180	STATOR		1		1				
10	2	183054-74190	SCREW,TAPPING	1	1	1	1				
11	2	183056-74200	COVER,REAR	1	1	1	1				
12	2	183054-74210	BRUSH ASSY	1	1	1	1				
13	2	183054-74220	SCREW M5X14	2	2	2	2				
14	2	183054-74240	AVR	1		1					
15	2	183054-74250	AVR		1		1				
16	2	183054-74260	RECTIFIER	1	1	1	1				
17	2	183056-74310	BAND	2	2	2	2				
18	2	183056-74320	SCREW	2	2	2	2				
19	1	183056-74270	BOLT,THROUGH	4	4	4	4				
20	1	183056-74280	BOLT,PLATED	1	1	1	1				
21	1	183056-74290	BAND	1	1	1	1				
22	1	183056-74300	COVER,FRONT	1	1	1	1				
23	1	26023-040162	SCREW, M4X16	3	3	3	3				

Fig.5. PANEL(YDG5500N-5B,5F)

(A)=YDG5500N-5B (D)=YDG5500N-5EF
 (B)=YDG5500N-5F (E)=
 (C)=YDG5500N-5EB (F)=

No.	Lev.	Parts No.	Description	Q'ty						I	R
				(A)	(B)	(C)	(D)	(E)	(F)		
1	1	183056-91120	ELECTORIC ASSY	1							
2	1	183056-91130	ELECTORIC ASSY		1						
3	2	183054-91200	BOX	1	1						
4	2	183056-91220	PANEL ASSY	1							
5	2	183056-91230	PANEL ASSY		1						
8	3	183056-91420	WIREHARNESH	1	1						
9	3	183054-91440	NUT,EARTH	1	1						
10	3	183054-91450	BOLT,EARTH	1	1						
11	3	183054-91460	WASHER	1	1						
12	3	183054-91490	WASHER	1	1						
13	3	183054-91500	SCREW M4X10	2	4						
14	3	183054-91510	SCREW M3X5	4	4						
15	3	183054-91520	DC TERMINAL(RED)	1	1						
16	3	183054-91530	DC TERMINAL(BRACK)	1	1						
17	3	183054-91550	PLUG SOCKET(250V X 2	1							
18	3	183054-91560	PLUG SOCKET(250V X 1		2						
19	3	183054-91600	DC BREAKER	1	1						
20	3	183056-91600	AC BREAKER(250V-20A	1							
21	3	183056-91610	AC BREAKER(250V-17.5		1						
22	3	183054-91610	CAP,DC BREAKER	1	1						
23	3	183054-91620	SCREW	4	4						
24	3	183054-91630	SCREW	2	2						
25	3	183054-91650	METER,VOLTAGE	1							
26	3	183054-91660	METER,VOLTAGE		1						
27	1	183056-66010	ENG STOP CMP	1	1						
28	2	183054-66030	COVER SOLENOID	1	1						
29	2	183056-66040	CABLE REMOTE CONTROL	1	1						
30	2	183054-66060	DC SOLENOID(12V)	1	1						
31	2	26022-040082	SCREW, M4X 8	2	2						
32	2	26023-030082	SCREW, M3X 8	4	4						
33	1	183054-93020	PLUG 250V X 15A	1							
33-1	1	183054-93020	PLUG 250V X 15A	2							K

(A=EZZZZZ)

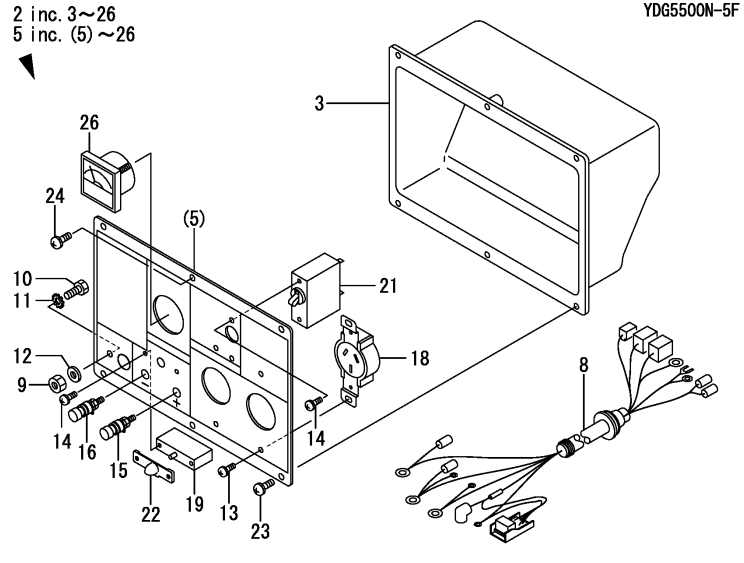
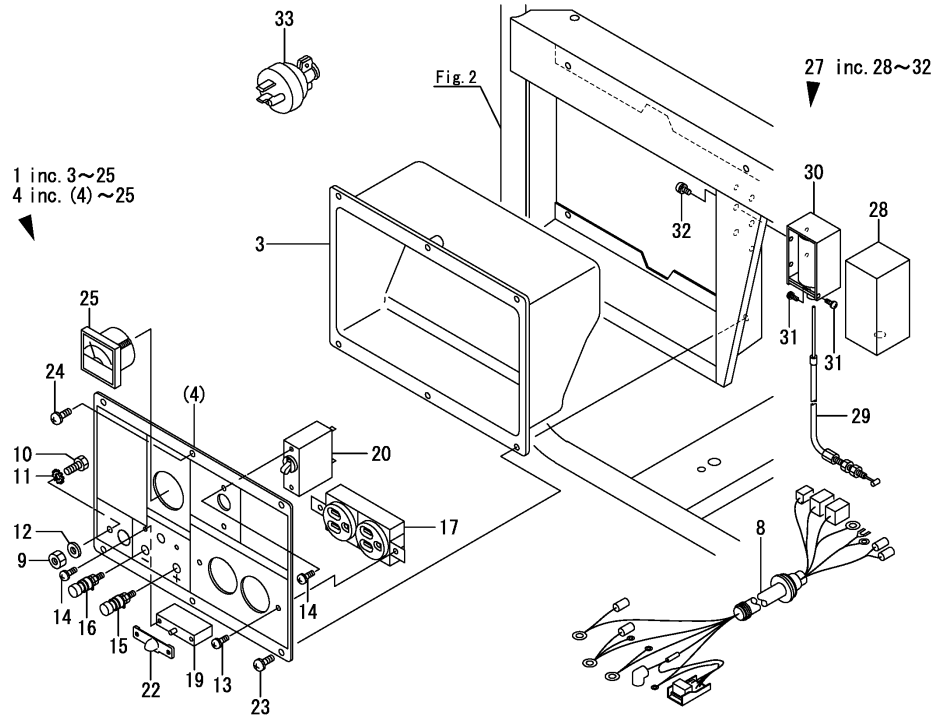
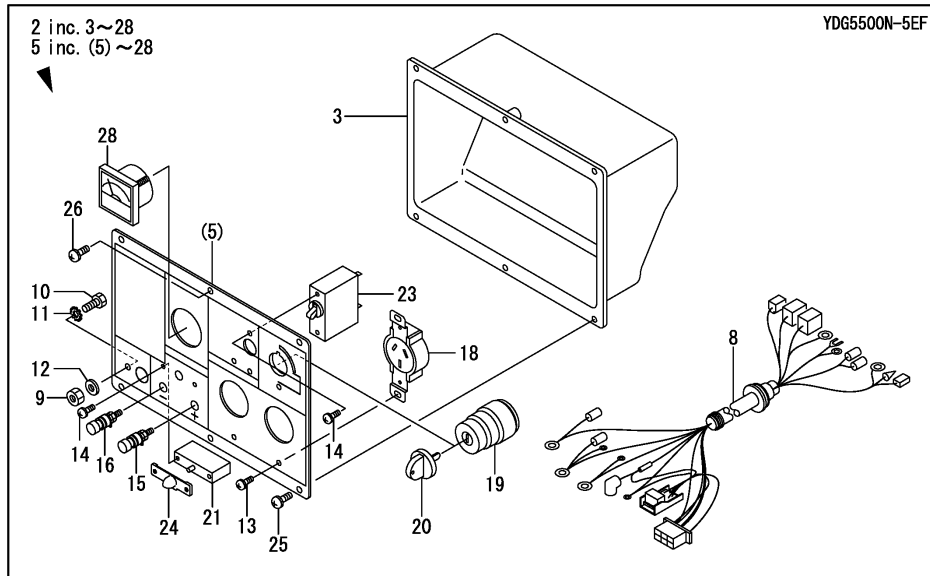
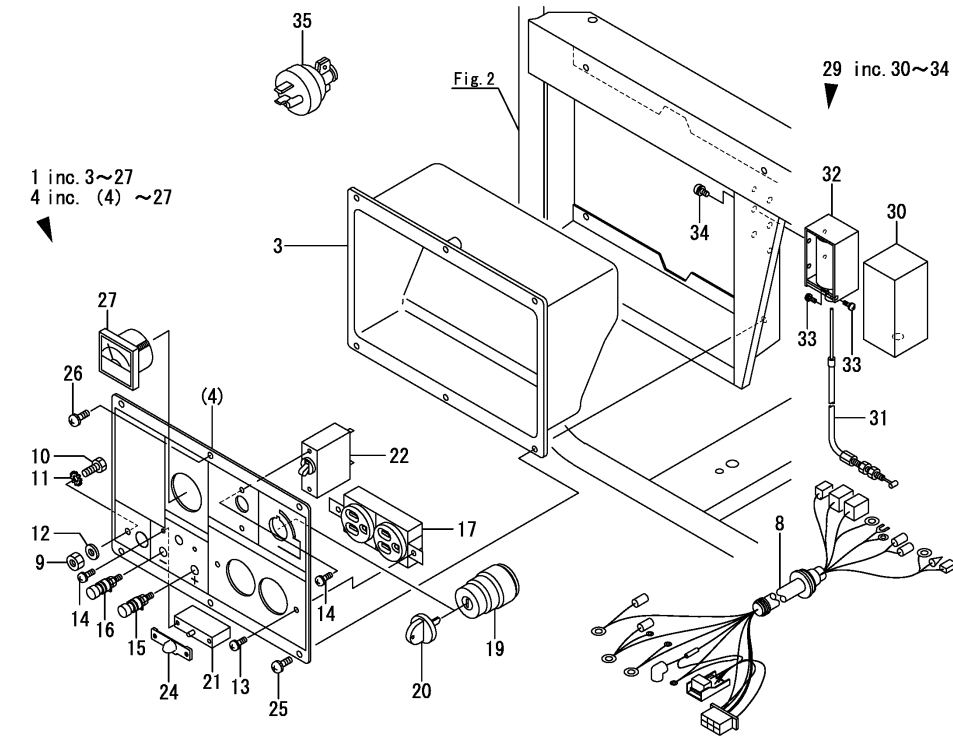


Fig.6. PANEL(YDG5500N-5EB,5EF)



(A)=YDG5500N-5B
 (B)=YDG5500N-5F
 (C)=YDG5500N-5EB
 (D)=YDG5500N-5EF
 (E)=
 (F)=

No.	Lev.	Parts No.	Description	Q'ty						I	R
				(A)	(B)	(C)	(D)	(E)	(F)		
1	1	183056-91140	ELECTORIC ASSY			1					
2	1	183056-91150	ELECTORIC ASSY				1				
3	2	183054-91200	BOX			1	1				
4	2	183056-91240	PANEL ASSY			1					
5	2	183056-91250	PANEL ASSY				1				
8	3	183056-91430	WIREHARNES			1	1				
9	3	183054-91440	NUT,EARTH			1	1				
10	3	183054-91450	BOLT,EARTH			1	1				
11	3	183054-91460	WASHER			1	1				
12	3	183054-91490	WASHER			1	1				
13	3	183054-91500	SCREW M4X10			2	4				
14	3	183054-91510	SCREW M3X5			4	4				
15	3	183054-91520	DC TERMINAL(RED)			1	1				
16	3	183054-91530	DC TERMINAL(BRACK)			1	1				
17	3	183054-91550	PLUG SOCKET(250V X 2			1					
18	3	183054-91560	PLUG SOCKET(250V X 1				2				
19	3	183056-91580	SWITCH ASSY, KEY			1	1				
20	3	183054-91640	KEY,STARTER SWITCH			1	1				
21	3	183054-91600	DC BREAKER			1	1				
22	3	183056-91600	AC BREAKER(250V-20A			1					
23	3	183056-91610	AC BREAKER(250V-17.5				1				
24	3	183054-91610	CAP,DC BREAKER			1	1				
25	3	183054-91620	SCREW			4	4				
26	3	183054-91630	SCREW			2	2				
27	3	183054-91650	METER,VOLTAGE			1					
28	3	183054-91660	METER,VOLTAGE				1				
29	1	183056-66010	ENG STOP CMP			1	1				
30	2	183054-66030	COVER SOLENOID			1	1				
31	2	183056-66040	CABLE REMOTE CONTROL			1	1				
32	2	183054-66060	DC SOLENOID(12V)			1	1				
33	2	26022-040082	SCREW, M4X 8			2	2				
34	2	26023-030082	SCREW, M3X 8			4	4				
35	1	183054-93020	PLUG 250V X 15A			1					
35-1	1	183054-93020	PLUG 250V X 15A (C=EZZZZZ)			2					K

Parts No. Index

Parts No.	Fig. No.	Ref. No.
124066-59100	3	20
183054-08100	1	5
183054-08110	1	6
183054-08120	1	7
183054-08200	1	12
183054-08220	1	13
183054-08230	1	14
183054-08240	1	15
183054-08250	1	16
183054-08270	1	17
183054-08430	2	4
183054-08450	2	5
183054-55120	3	8
	4	3
183054-55130	3	9
183054-55140	3	3
183054-55150	3	4
183054-55160	3	6
183054-55170	3	10
183054-55180	3	12
183054-59130	3	18
		18 -1
183054-66030	5	28
	6	30
183054-66060	5	30
	6	32
183054-74190	4	10
183054-74210	4	12
183054-74220	4	13
183054-74240	4	14
183054-74250	4	15
183054-74260	4	16
183054-79150	2	18
183054-91200	5	3
	6	3
183054-91440	5	9
	6	9
183054-91450	5	10
	6	10
183054-91460	5	11
	6	11
183054-91490	5	12
	6	12
183054-91500	5	13
	6	13
183054-91510	5	14
	6	14
183054-91520	5	15
	6	15
183054-91530	5	16

Parts No.	Fig. No.	Ref. No.
183054-91530	6	16
183054-91550	5	17
	6	17
183054-91560	5	18
	6	18
183054-91600	5	19
	6	21
183054-91610	5	22
	6	24
183054-91620	5	23
	6	25
183054-91630	5	24
	6	26
183054-91640	6	20
183054-91650	5	25
	6	27
183054-91660	5	26
	6	28
183054-93020	5	33
		33 -1
	6	35
		35 -1
183055-08320	2	2
183055-55100	3	1
183055-55110	3	2
183055-79110	2	14
183055-79150	2	19
183056-08120	1	7 -1
183056-08160	1	8
183056-08170	1	9
183056-08180	1	10
183056-08190	1	11
183056-08420	2	3
183056-08460	2	6
183056-08470	2	7
183056-08480	2	8
183056-59100	3	15
183056-59110	3	16
183056-66010	5	27
	6	29
183056-66040	5	29
	6	31
183056-74110	4	4
183056-74120	4	5
183056-74140	4	6
183056-74150	4	7
183056-74170	4	8
183056-74180	4	9
183056-74200	4	11
183056-74270	4	19

Parts No.	Fig. No.	Ref. No.
183056-74280	4	20
183056-74290	4	21
183056-74300	4	22
183056-74310	4	17
183056-74320	4	18
183056-74500	2	9
183056-79120	2	15
183056-79130	2	16
183056-79140	2	17
183056-91120	5	1
183056-91130	5	2
183056-91140	6	1
183056-91150	6	2
183056-91220	5	4
183056-91230	5	5
183056-91240	6	4
183056-91250	6	5
183056-91420	5	8
183056-91430	6	8
183056-91580	6	19
183056-91600	5	20
	6	22
183056-91610	5	21
	6	23
22190-120002	3	7
23080-014000	3	19
24341-000450	3	11
26022-040082	5	31
	6	33
26023-030082	5	32
	6	34
26023-040162	4	23
26106-060082	2	10
26106-060102	2	20
26106-080162	2	11
26136-100302	2	12
26136-100352	2	13
26366-050002	2	21
26366-060002	3	13

Parts No.	Fig. No.	Ref. No.
-----------	----------	----------