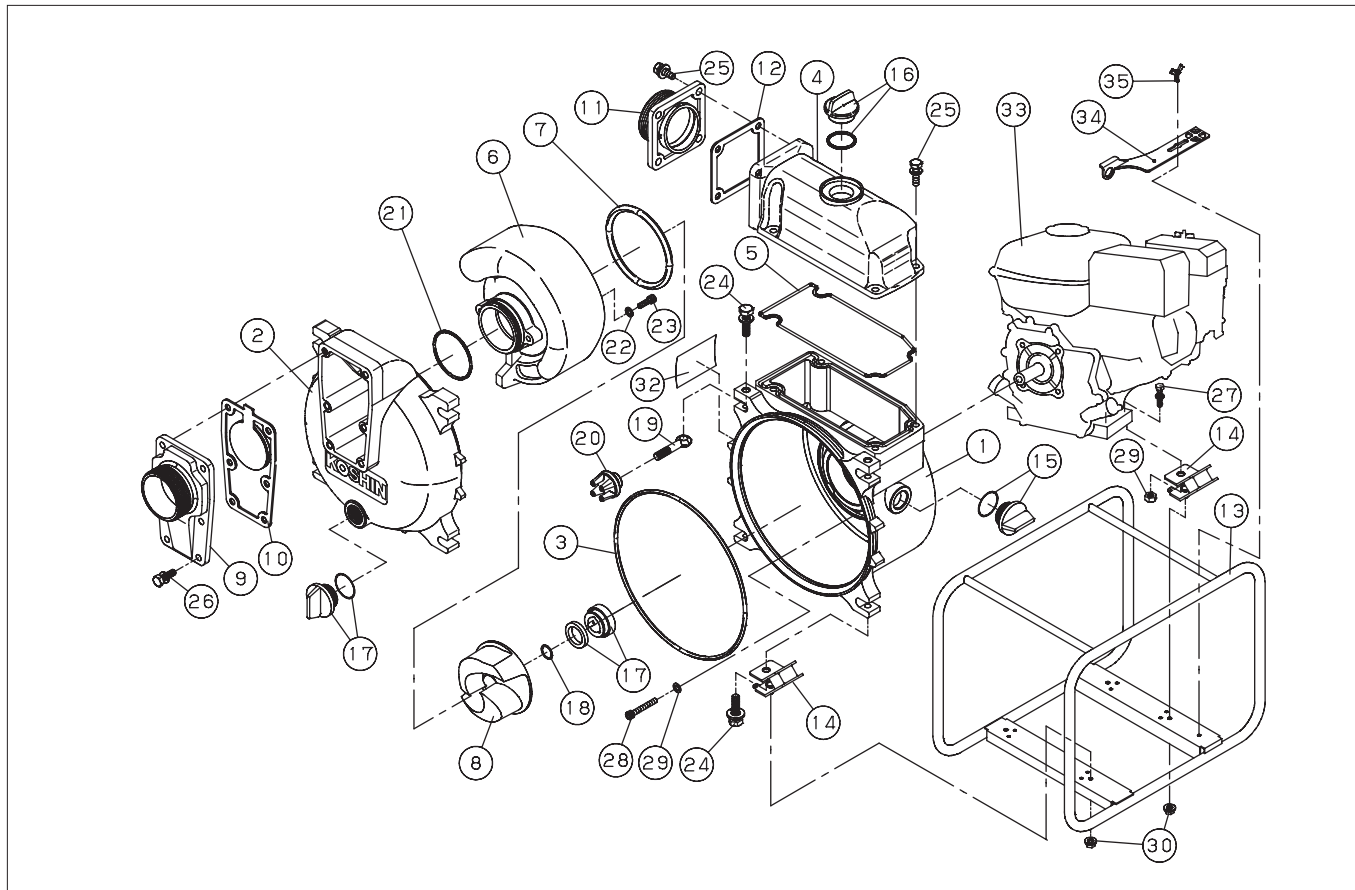


KTH-80X

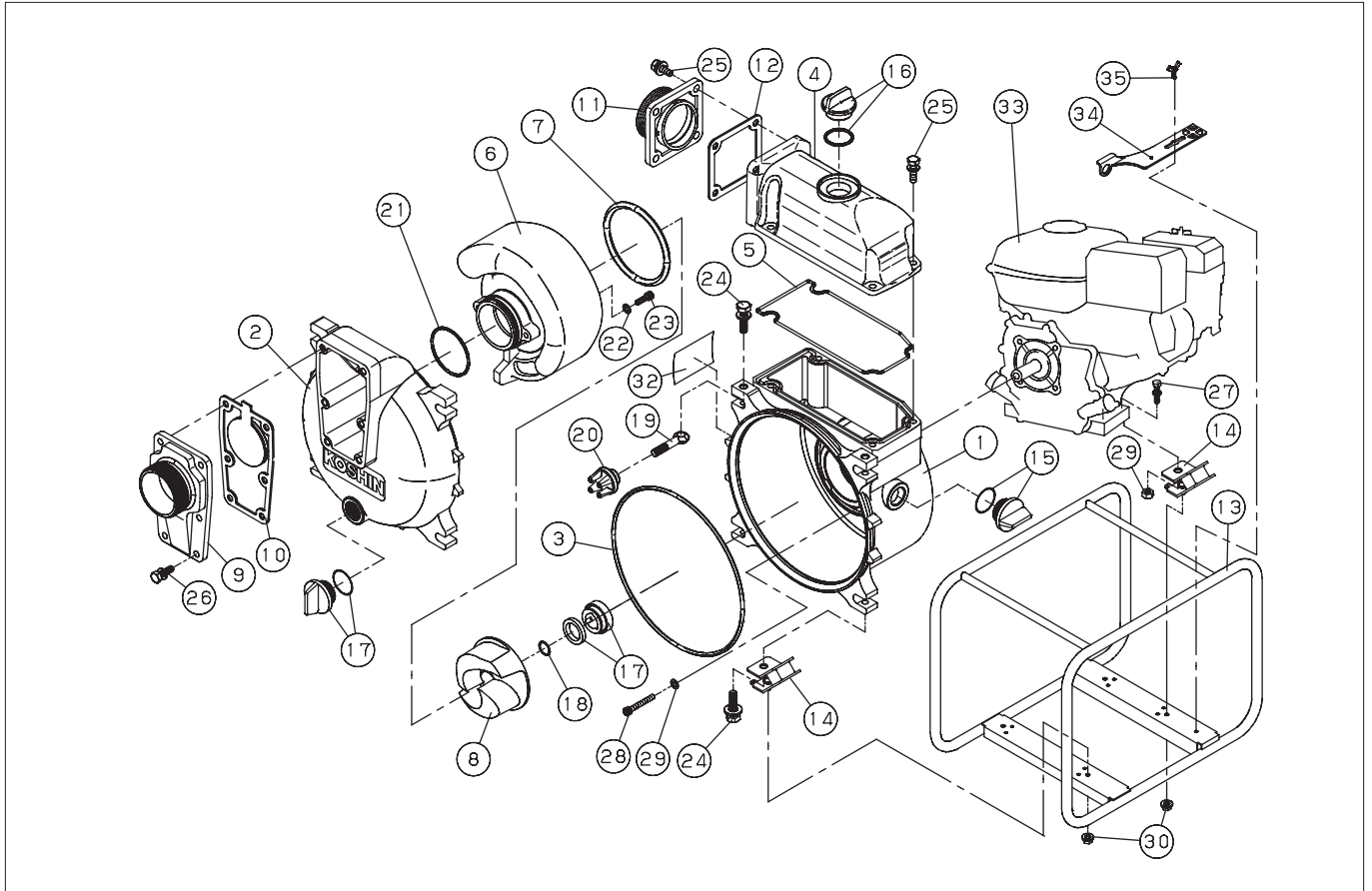


DWG No. 012853411MODEL:KTH-80X FORM:KTH-80X-BAA-0

| No. | PARTS CODE | PARTS NAME | QTY | MATERIAL | SIZE | REMARKS |
|-----|------------|---------------------------|-----|----------------------|--------|---------|
| 1 | 011554605 | PUMP CASING | 1 | | | |
| 2 | 011554502 | FRONT COVER | 1 | | | |
| 3 | 011557901 | FRONT COVER PACKING | 1 | NBR | | |
| 4 | 011554702 | DELIVERY HOUSING | 1 | ADC | | |
| 5 | 011554801 | HEAD PACKING | 1 | NBR70° | | |
| 6 | 011555906 | VOLUTE CASING | 1 | | | |
| 7 | 011557801 | CASING PACKING | 1 | NBR | | |
| 8 | 011555804 | IMPELLER | 1 | | | |
| 9 | 011136003 | SUCTION FLANGE | 1 | NPT ADC-12 | | |
| 10 | 011569201 | CHECK VALVE | 1 | NBR NEO-180 | | |
| 11 | 011583702 | DELIVERY FLANGE | 1 | NPT ADC | | |
| 12 | 011058402 | FLANGE PACKING | 1 | CR | | |
| 13 | 012812201 | BASE SET | 1 | | | |
| 14 | 011617202 | WT CUSHION RUBBER | 4 | CR 60° | | |
| 15 | 011807901 | 25A PLUG SET | 2 | | | |
| 16 | 011845001 | 32A PLUG SET | 1 | | | |
| 17 | 011567802 | MECHANICAL SEAL | 11 | EH791-25 SICXSIC | | |
| 18 | 011008101 | IMPELLER ADJUSTING WASHER | 3 | | T0.3 | |
| 19 | 011558002 | COVER BOLT | 4 | | | |
| 20 | 011559002 | KNOB | 4 | | | |
| 21 | 011567601 | O-RING | 1 | NBR | | |
| 22 | 854255008 | SEAL WASHER | 2 | | φ 8 | |
| 23 | 734505066 | HEXAGON SOCKET BOLT | 2 | SUS | M8X25 | |
| 24 | 743119083 | HEXAGON BOLT | 4 | SWRM | M12X45 | |
| 25 | 743119063 | HEXAGON BOLT | 8 | SWRM | M10X30 | |
| 26 | 743119061 | HEXAGON BOLT | 6 | SWRM | M10X25 | |
| 27 | 743119065 | HEXAGON BOLT | 2 | SWRM | M10X35 | |
| 28 | 011651601 | HEXAGON SOCKET BOLT | 4 | SCM | M8X55 | |
| 29 | 011649302 | WASHER | 4 | ALUMINIUM A1100 PH14 | | φ 8 |
| 30 | 842319008 | SPRING NUT | 4 | SWRM | M8 | |

◆ Bare engine can not be supplied

KTH-80X



DWG No. 012853411MODEL:KTH-80X FORM:KTH-80X-BAA-0

| No. | PARTS CODE | PARTS NAME | QTY | MATERIAL | SIZE | REMARKS |
|-----|------------|-----------------------|-----|----------|-------|---------|
| 31 | 827419010 | HEXAGON NUT | 2 | SWRM | M10 | |
| 32 | 011568702 | NAME PLATE | 1 | | | |
| 33 | 011573803 | ENGINE WITH OIL ALERT | 1 | | | |
| 34 | 011576702 | TOOL | 1 | SPC | | |
| 35 | 741305153 | WING BOLT | 1 | SUS | M8X15 | |
| | 012079501 | OPERATION MANUAL | 1 | | | |
| | 011568402 | PACKING CASE | 1 | K6W | | |

◆ Bare engine can not be supplied