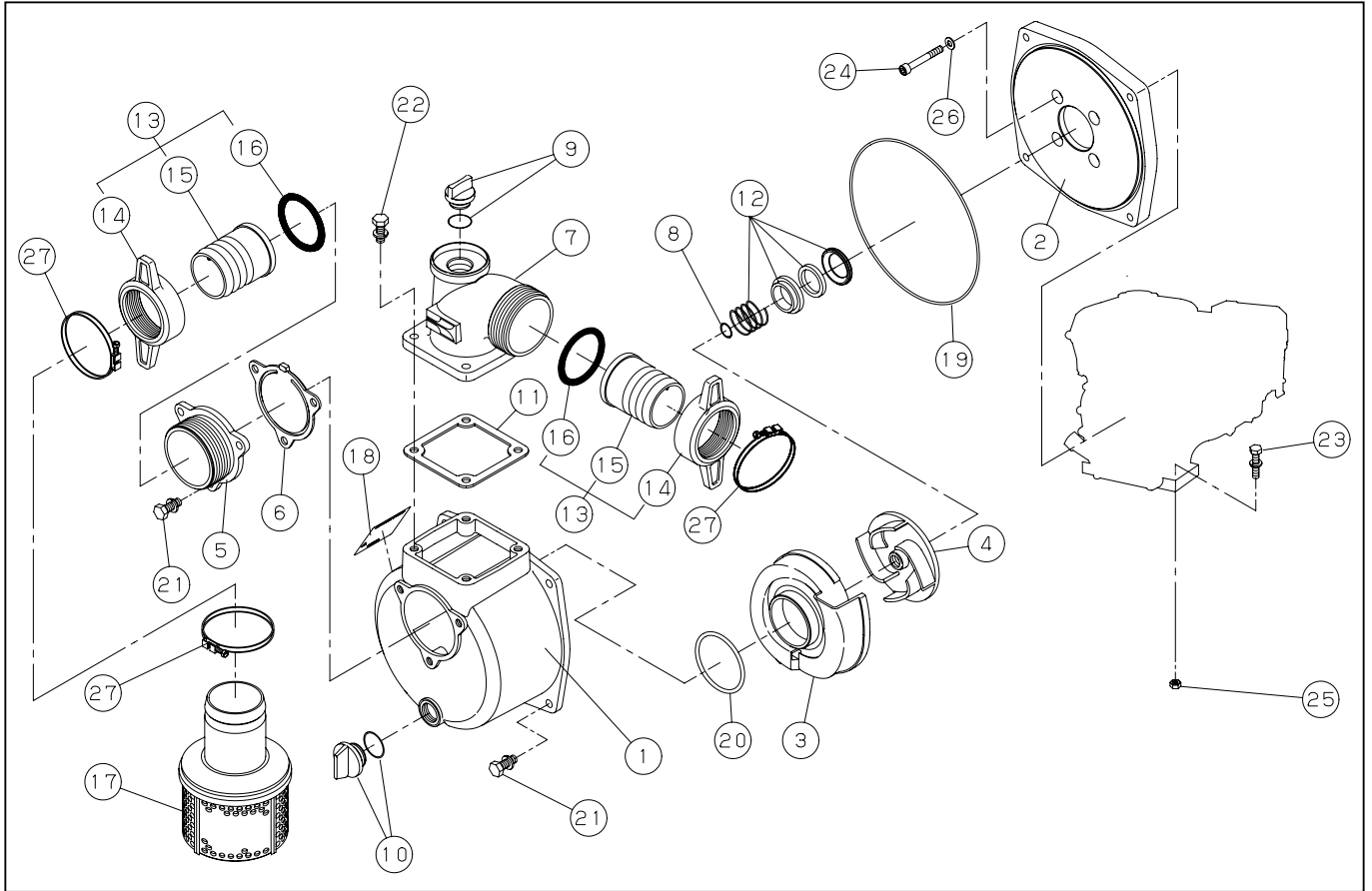


**SEH-80XP**



DWG No.011973203 MODEL:SEH-80XP (PUMP KIT) FORM:SEH-80X-BBN-0

No.	PARTS CODE	PARTS NAME	QTY	MATERIAL	SIZE	REMARKS
1	011279502	PUMP CASING	1			
2	011279601	FLANGE BRACKET	1	ADC		
3	011437902	VOLUTE CASING	1	FC		
4	011469501	IMPELLER	1	FC		
5	011279701	SUCTION FLANGE	1	ADC		
6	011279901	CHECK VALVE	1	NBR		
7	011057003	DELIVERY FLANGE	1	ADC		
8	011049102	IMPELLER ADJUSTING WASHER	3	BSP		
9	011807901	25A PLUG SET	1			
10	011807802	20A PLUG SET	1			
11	011058402	DELIVERY FLANGE PACKING	1	CR		
12	011066402	MECHANICAL SEAL	1		φ 20	
13	011702801	COUPLING ASSY	2			
14	011437501	COUPLING	2	PC		
15	011030105	HOSE NIPPLE	2	ABS		
16	011437801	COUPLING PACKING	2	NBR		
17	011819501	STRAINER SET	1	PP		
18	011498401	NAME PLATE	1			
19	011501501	O-RING	1	NBR	1517-46.5	
20	011398901	O-RING	1	NBR	P74	
21	743119061	HEXAGON BOLT	7	SWRM	M10X25	
22	743119063	HEXAGON BOLT	4	SWRM	M10X30	
23	743119053	HEXAGON BOLT	4	SWRM	M8X40	
24	734532076	HEXAGON SOCKET BOLT	4	SCM	M8X60	
25	827419008	HEXAGON NUT	4	SWRM	M8	
26	854255008	SEAL WASHER	4		φ 8	
27	940019090	HOSE BAND	3		φ 90	
	011498301	PACKING CASE	1			
	011460503	OPERATION MANUAL	1			

◆ Bare engine can not be supplied