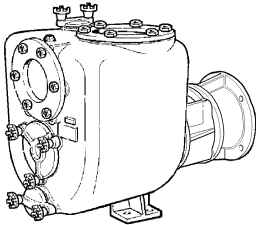
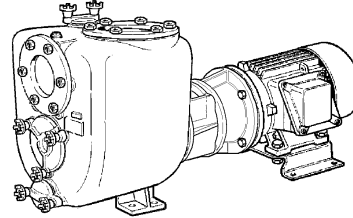


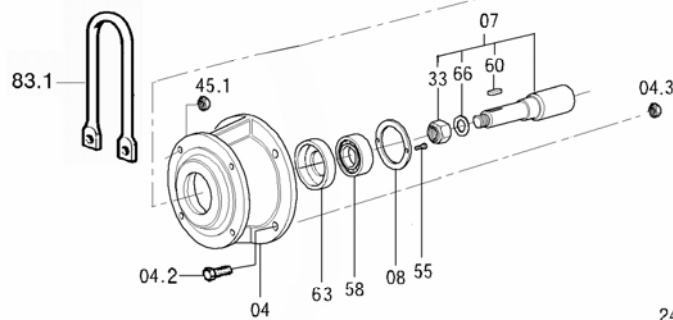
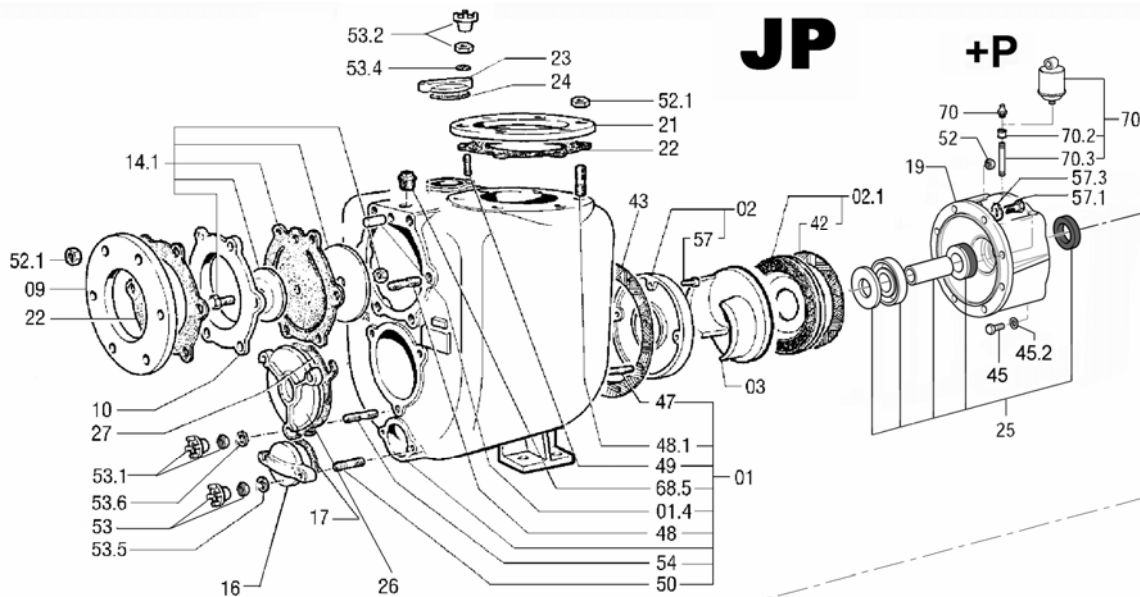
DISTINTA DELLE PARTI COSTITUENTI LE POMPE CENTRIFUGHE AUTOADESCANTI SERIE " J "
SPARE PARTS LIST FOR " J " SERIES SELF-PRIMING PUMPS
LISTE DES PIECES DE RECHANGE POUR POMPES CENTRIFUGES AUTO-AMORCANTES SERIE " J "
ERSATZTEILLISTE FÜR SELBSTANSAUGENDE KREISELPUMPEN SERIE " J "



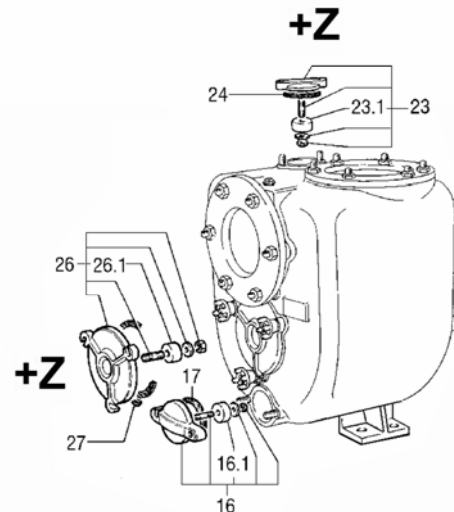
JP 6-250 G10 ETO Code 1004 0871
 JP 6-250 B10 ETO Code 1004 3828
 JP 6-250 K10 ETO Code 1004 3829
 JP 6-250 F10 ETO Code 1004 3826
 JP 6-250 Q10 ETO Code 1004 3827
 JP 6-250 A10 ETO Code 1004 3825

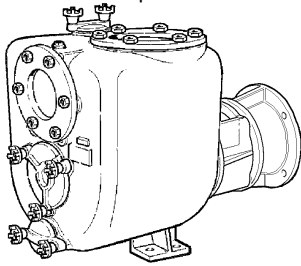


JE 6-250 G10 ET40 Code 1004 2942
 JE 6-250 B10 ET40 Code 1004 3833
 JE 6-250 K10 ET40 Code 1004 3834
 JE 6-250 F10 ET40 Code 1004 3831
 JE 6-250 Q10 ET40 Code 1004 3832
 JE 6-250 A10 ET40 Code 1004 3830

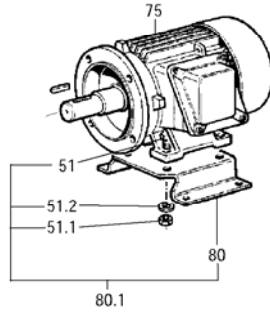


+ = OPTIONAL

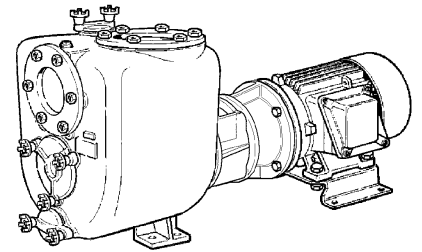




+



=



JP

+

MOTORE / MOTOR

=

JE

Rif. N°. Pos. Nr.	Quant.	Denominazione	Part name	Den. Comm. Type	Mat. *	Codice Nuovo New Part. No.	JP 6-250 G10 ETO	JP 6-250 B10 ETO	JP 6-250 K10 ETO	JP 6-250 F10 ETO	JP 6-250 Q10 ETO	JP 6-250 A10 ETO
01	1	Corpo (1)	Casing (1)		G	1002 3930	○			○	○	
					B	1002 3931		○				
					K	1002 3932			○			
					A	1004 4643					○	
01.4	1	Spina	Spring pin	UNI 6873 5 x 10	S	1000 1775	○	○	○	○	○	○
02	1	Piatto d'usura (2)	Wear plate (2)		GN	1000 8429	○					
					K	1001 7998			○	○		
					B	1000 8405		○			○	
					AN	1004 4646						○
02.1	1	Piatto d'usura (3)	Wear plate (3)		GN	1002 3925	○					
					K	1002 3928			○	○		
					B	1002 3927		○			○	
					AN	1004 4647						○
03	1	Girante	Impeller		GS	1000 5458	○					
					K	1000 5428			○	○		
					B	1000 5447		○			○	
					A	1000 5442						○
04	1	Campana	Coupling flange		G	1002 1255						
04.2	4	Vite	Screw	M 16 x 50 DIN 933	S	1000 1975	○					○
				M 16 x 55 DIN 933	K	1000 2071		○	○	○	○	
04.3	4	Dado	Nut	M 16 UNI 1751/52A	S	1000 1425	○					○
					K	1000 1442		○	○	○	○	
07	1	Albero (4)	Shaft (4)		S	1004 0866	○					○
					K5	1004 3197		○	○	○	○	
08	1	Copricuscinetto	Bearing cover		G	1004 0857	○	○	○	○	○	○
09	1	Flangia aspirazione	Suction flange	DN 150 D.I. 1882	S	1000 1499	○	○		○	○	○
					K	1002 1144			○			
10	1	Portavalvola	Suction flange		G	1000 6431	○			○		
					OTS	1000 6402		○			○	○
					K	1000 6452			○			
14.1	1	Valvola completa	Check valve ass.		NG	1000 9026	○	○				
					VK	1000 9036			○	○	○	○
16	1	Portina	Cover		G	1000 6474	○				○	○
					GZ	1000 8503		+Z			○	
					OTS	1000 3749			○			
					K	1000 6503				○		
16.1	2	Placca zinco	Zinco anode		Z	1000 3818		+Z				
17 (**)	1	Guarnizione	Gasket	72 x 95 x 3								
19	1	Portamotore	Head		G	1002 1216	○			○	○	○
					B	1002 1276		○				
					K	1002 1332			○			
					A	1002 6873					○	
21	1	Flangia mandata	Discharge flange	DN 150 D.I. 1882	S	1000 1481	○	○		○	○	○
					K	1000 1545			○			

VARISCO S.p.A.

Terza Strada, 9 - Z.I. Nord - 35129 Padova - Italy

Tel. 049 82 94 111

Fax 049 82 94 373

+39 049 82 94 111
International +39 049 80 76 762

Rif. N°. Pos. Nr.	Quant.	Denominazione	Part name	Den. Comm. Type	Mat.*	Codice Nuovo New Part. No.	JP 6-250 G10 ETO	JP 6-250 B10 ETO	JP 6-250 K10 ETO	JP 6-250 F10 ETO	JP 6-250 Q10 ETO	JP 6-250 A10 ETO
22 (**)	2	Guarnizione	Gasket	150 x 285 x 3								
23	1	Portina	Cover		G	1000 6474	○			○		
					GZ	1000 8503	+Z				○	
					OTS	1000 3749		○				
					K	1000 6503			○			
					A	1000 6459						○
					Z	1000 3818	+Z					
23.1	2	Placca zinco	Zinco anode									
24 (**)	1	Guarnizione	Gasket	72 x 95 x 3								
25	1	Anello di tenuta compl.	Mechanical seal ass.	T45 YYN ND		1002 1228	○	○				
				T 45 GWV BT		1002 3973						○
				T 45 YV ND		1002 1309			○	○	○	
26	1	Portina	Cover		G	1000 6477	○			○		
					GZ	1000 8505	+Z				○	
					OTS	1000 3751		○				
					K	1000 6505			○			
					A	1000 6464						○
26.1	2	Placca zinco	Zinco anode		Z	1000 3818	+Z					
27 (**)	1	Guarnizione	Gasket									
33	1	Dado blocca girante	Impeller nut	M 30 x 2 UNI 7474	H	1000 1466	○					○
				M 30 x 2 UNI 7474	K	1000 1473		○	○	○	○	
42 (**)	1	Guarnizione piatto	Wear plate gasket									
43 (**)	1	Guarnizione corpo	Casing gasket									
45	2	Vite	Screw	M 12 x 35 DIN 933	S	1000 1961	○					○
	2			M 12 x 45 DIN 933	S	1000 1963	○					○
	2			M 12 x 35 DIN 933	K	1000 2067		○	○	○	○	
	2			M 12 x 45 DIN 931	K	1000 2056		○	○	○	○	
45.1	4	Dado	Nut	M 12 DIN 934	S	1000 1422	○					○
					K	1000 1439		○	○	○	○	
45.2	4	Rondella	Washer	M 12 UNI 1751/52 A	S	1000 1681	○					○
					K	1000 1685		○	○	○	○	
47 (*)	8	Prigioniero	Stud	M 12 x 25 DIN 938	S		○					○
					K			○	○	○	○	
48 (*)	6	Prigioniero	Stud	M 16 x 55 DIN 938	S	1000 1832	○					○
				M 16 x 60 DIN 938	K	1000 1851		○	○	○	○	
48.1 (*)	6	Prigioniero	Stud	M 16 x 35 DIN 938	S		○					○
					K			○	○	○	○	
49 (*)	2	Prigioniero	Stud	M 10 x 35 DIN 938	S		○					○
					K			○	○	○	○	
50 (*)	2	Prigioniero	Stud	M 10 x 35 DIN 938	S		○					○
					K			○	○	○	○	
51	4	Vite	Screw	M 12 x 45 DIN 933	S	1000 1962	○	○	○	○	○	○
51.1	4	Dado	Nut	M 12 DIN 934	S	1000 1422	○	○	○	○	○	○
51.2	4	Rondella	Washer	M 12 DIN 125 A	S	1000 1699	○	○	○	○	○	○
52 (*)	8	Dado	Nut	M 12 DIN 934	S		○					○
					K			○	○	○	○	
52.1 (*)	12	Dado	Nut	M 16 DIN 934	S		○					○
					K			○	○	○	○	
53 (*)	2	Maniglietta	Wrench	M 10	OTS		○	○				○
		Dado	Nut	M 10 DIN 934	K				○	○		
53.1 (*)	3	Maniglietta	Wrench	M 12	OTS		○	○				○
		Dado	Nut	M 12 DIN 934	K				○	○		
53.2 (*)	2	Maniglietta	Wrench	M 10	OTS		○	○				○
		Dado	Nut	M 10 DIN 934	K				○	○		
53.4 (*)	2	Rondella	Washer	M 10 DIN 125 A	K				○	○		
53.5 (*)	2	Rondella	Washer	M 10 DIN 125 A	K				○	○		
53.6 (*)	3	Rondella	Washer	M 12 DIN 125 A	K				○	○		

Rif. N°. Pos. Nr.	Quant.	Denominazione	Part name	Den. Comm. Type	Mat.*	Codice Nuovo New Part. No.	JP 6-250 G10 ETO	JP 6-250 B10 ETO	JP 6-250 K10 ETO	JP 6-250 F10 ETO	JP 6-250 Q10 ETO	JP 6-250 A10 ETO
54 (*)	3	Prigioniero	Stud	M 12 x 30 DIN 938	S		○					○
					K			○	○	○	○	○
55	4	Vite	Screw	M 6 x 25 DIN 933	S	1002 8345	○	○	○	○	○	○
57 (*)	4	Vite	Screw	M 10 x 20 DIN 912	H		○					○
					K			○	○	○	○	○
57.1 (*)	4	Vite	Screw	M 12 x 25 DIN 933	S		○					○
					K			○	○	○	○	○
57.3 (*)	4	Rondella	Washer	M 12 DIN 125A	S		○					○
					K			○	○	○	○	○
58	1	Cuscinetto	Ball bearing	3308		1000 1348	○	○	○	○	○	○
60	1	Linguetta	Key	10 x 8 x 40 DIN6885A	K	1000 1626	○	○	○	○	○	○
63	1	Ghiera		35 x 50 x 10	S	1002 1222	○	○	○	○	○	○
66	1	Rondella	Washer	M 30 DIN 125A	H	1000 1716	○					○
					K	1000 1715		○	○	○	○	○
68.5 (*)	1	Tappo	Plug	1/4"	G	1000 2379	○					○
					K	1000 2414		○	○	○	○	○
70 (*)	1	Ingrassatore	Grease nipple	1/4"		1000 1662	○	○	○	○	○	○
		Cartuccia Perma	Perma cartridge			1000 8316	+P	+P	+P	+P	+P	+P
70.2	1	Manicotto	Union	1/4"	G	1000 2352	+P	+P	+P	+P	+P	+P
70.3	1	Prolunga	Grease tube	1/4"	S	1000 6955	+P	+P	+P	+P	+P	+P
75	1	Motore V.400-690(trifas)	A.C. Motor V.400-690(Three phase)	11 kW- B35 IP55		1004 2943	○	○	○	○	○	○
80	1	Piede motore	Motor base		S	1004 3159	○	○	○	○	○	○
80.1	1	Kit piede motore	Electric motor foot			1004 3182	○	○	○	○	○	○
83.1	1	Gancio di sollevam.	Lifting hook		S	1004 3806	○	○	○	○	○	○
(*)		Serie viterie	Set of screws			1001 4213	○					○
						1001 4221		○			○	
						1002 1291			○	○		
(**)		Serie guarnizioni	Set of gaskets		N	1001 4214	○	○				○
					V	1002 4037			○			
					V	1002 4038				○	○	
+P***		Kit ingrassatore	Compl. Grease kit				○	○	○	○		○
+Z***		Kit portine	Set of couver		GZ	1001 4325	○					
***		Optional										

Note:	Notes:
1) Completo di prigionieri (47, 48, 49, 50, 54) e tappo (68.5).	1) Complete with studs (47, 48, 49, 50, 54) and plug (68.5).
2) Completo di viti (57).	2) Complete with screws (57).
3) Completo di guarnizione (42).	3) Complete with gasket (42).
4) Completo di dado (33), rondella (66), linguette (60,61) e ghiera	4) Complete with nut (33), washer (66), keys (60,61) and lock ring
* Materiali di costruzione	* Construction material
A = Alluminio UNI3054	A = AlluminiumUNI3054
B = Bronzo	B = Bronze
G = Ghisa	G = Cast iron
GS = Ghisa sferoidale	GS = Ductile cast iron
H = Acciaio INOX AISI 304	H = AISI 304 Stainless steel
K = Acciaio INOX AISI 316	K = AISI 316 Stainless steel
K5 = Acciaio INOX SAF 2205	K5 = SAF2205 Stainless steel
N = Gomma nitrile	N = Nitrile rubber
OTS = Ottone	OTS = Brass
S = Acciaio	S = Steel
V = Viton	V = Viton
Z = Zinco	Z = Zinc
Ordinare il materiale indicando sempre la quantità, la denominazione, il codice del pezzo, il tipo ed il numero della pompa.	When ordering spares always indicate type and serial number of pump, quantity, part name, and number.