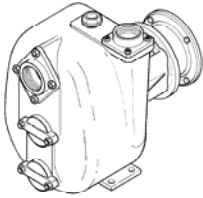
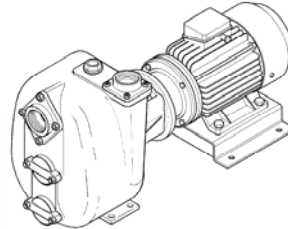


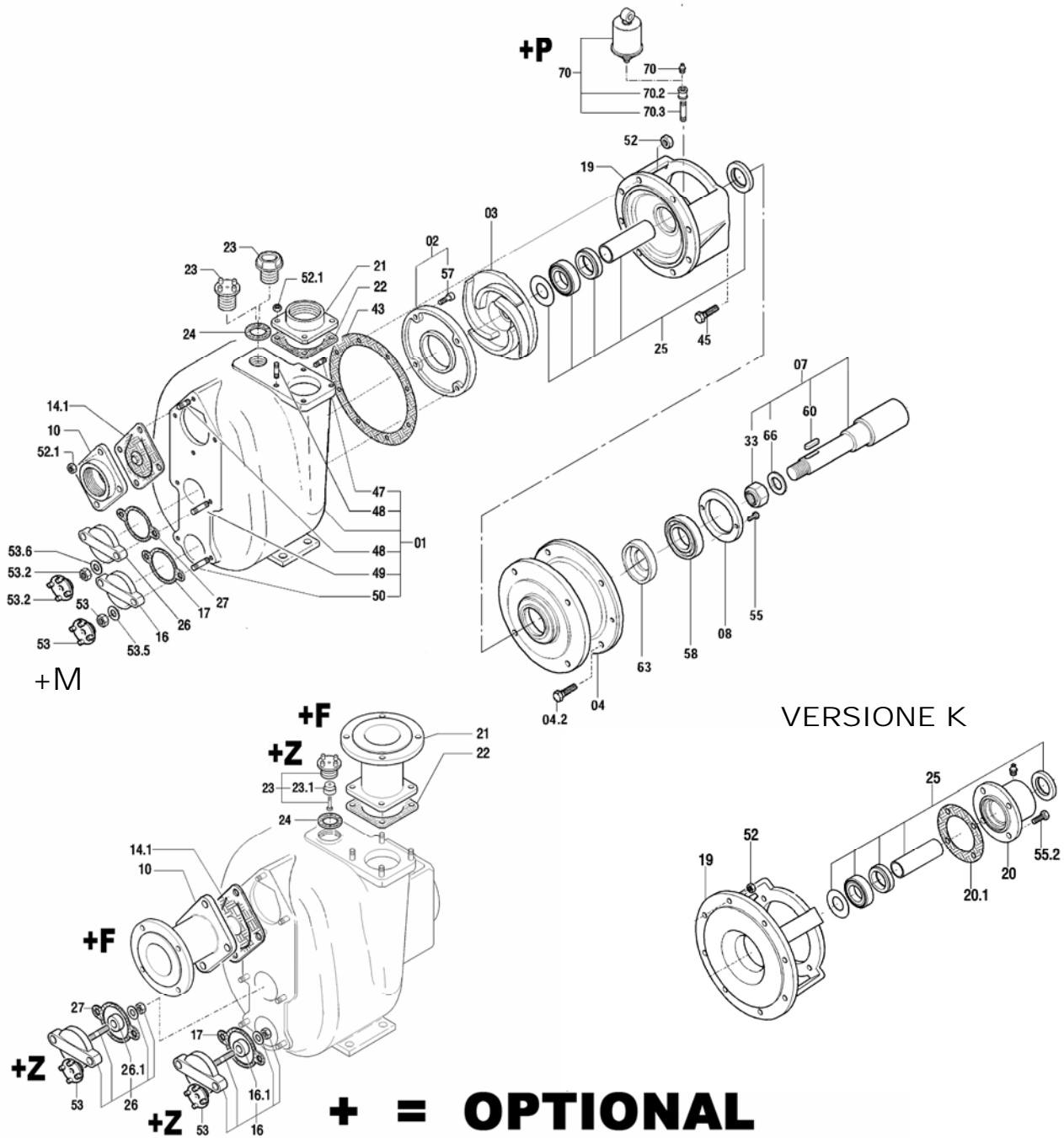
DISTINTA DELLE PARTI COSTITUENTI LE POMPE CENTRIFUGHE AUTOADESCANTI SERIE " J "
SPARE PARTS LIST FOR " J " SERIES SELF-PRIMING PUMPS
LISTE DES PIECES DE RECHANGE POUR POMPES CENTRIFUGES AUTO-AMORCANTES SERIE " J "
ERSATZTEILLISTE FÜR SELBSTANSAUGENDE KREISELPUMPEN SERIE " J "

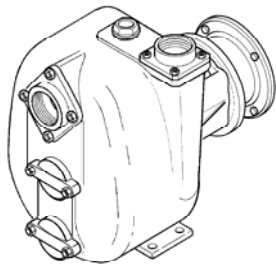


JP 1-180 G10 ETO Code 1004 0878
 JP 1-180 B10 ETO Code 1004 4032
 JP 1-180 K10 ETO Code 1004 4046
 JP 1-180 P10 ETO Code 1004 4037
 JP 1-180 Q10 ETO Code 1004 4038
 JP 1-180 F10 ETO Code 1004 4033
 JP 1-180 L10 ETO Code 1004 4034

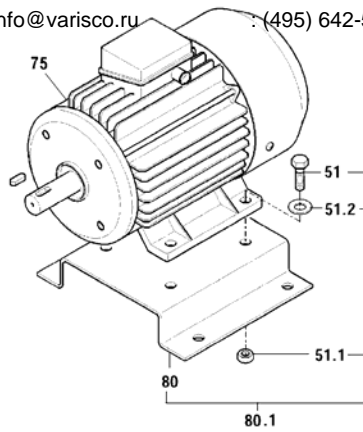


JE 1-180 G10 ET20 Code 1004 2924
 JE 1-180 B10 ET20 Code 1004 4040
 JE 1-180 K10 ET20 Code 1004 4047
 JE 1-180 P10 ET20 Code 1004 4043
 JE 1-180 Q10 ET20 Code 1004 4044
 JE 1-180 F10 ET20 Code 1004 4041
 JE 1-180 L10 ET20 Code 1004 4042

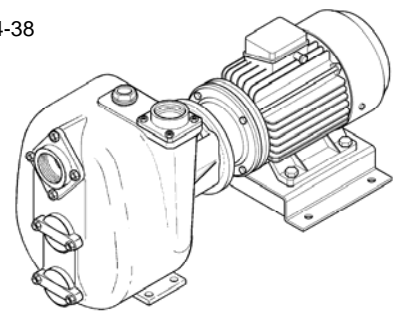




+



=



JP

+

MOTORE / MOTOR

=

JE

Rif. N° Pos. Nr.	Quant.	Denominazione	Part name	Den. Comm. Type	Mat. *	Codice Nuovo New Part No.	JP 1-180 G10	JP 1-180 B10	JP 1-180 K10	JP 1-180 P10	JP 1-180 Q10	JP 1-180 F10	JP 1-180 T10	JP 1-180 L10	
01	1	Corpo (1)	Casing (1)		G	1001 6935	○								
					B	1001 6940		○							
					K	1001 6941			○						
					G	1002 7006						○	○		
					G+QPQ	1004 6394									○
					KL	1004 6393							○		
02	1	Piatto d'usura (2)	Wear plate (2)		GN	1000 8461	○								
					G	1001 6934				○					
					B	1000 8408		○			○				
					K	1000 8480			○			○			
					G+QPQ	1003 6032								○	
					KL	1004 6395							○		
03	1	Girante	Impeller		GS	1000 5371	○			○					
					B	1000 5247		○			○				
					K	1000 5423			○			○			
					G+QPQ	1002 3622								○	
						KL	1002 1989								
04	1	Campana	Coupling Flange		G	1004 0748	○	○	○	○	○	○	○		
04.2	4	Vite	Screw	M 8 x 25 DIN 933	S	1000 1938	○			○			○		
					K	1000 2029		○	○		○	○		○	
07	1	Albero (3)	Shaft (3)		S	1004 0876	○			○			○		
					K	1004 3184		○	○		○	○		○	
08	1	Copricuscinetto	Bearing cover		G	1004 0750	○	○	○	○	○	○	○		
10	1	Portavalvola	Suction flange	R1"1/2	G	1000 6413	○			○			○		
					OTS	1000 6384		○			○				
					K	1000 6443			○			○			
					KL	1002 5310								○	
							+F	+F	+F	+F	+F	+F	+F		
14.1	1	Valvola completa	Check valve ass.		NH	1000 9010	○	○					○		
					VK	1000 9014			○	○	○	○		○	
16	1	Portina	Cover		S	1000 6473	○			○		○	○		
					OTS	1000 3748		○							
					KL	1000 6502			○				○		
					SZ	1000 8502					○				
					GZ	1000 8502	+Z					+Z			
16.1	1	Placca zinco	Zinc anode		Z	1000 6574	+Z					+Z			
17 (**)	1	Guarnizione	Gasket												
19	1	Portamotore	Head		G	1000 6342	○			○	○				
					B	1000 6287									
					K	10014369			○				○		
					G+QPQ	1002 3624								○	
20	1	Portatenuta	Seal box		K	1000 6252			○						
20.1	1	Guarnizione	Gasket		E3	1000 5637			○						

Rif. N° Pos. Nr.	Quant.	Denominazione	Part name	Den. Comm. Type	Mat.*	Codice Nuovo New Part No.	JP 1-180 G10	JP 1-180 B10	JP 1-180 K10	JP 1-180 P10	JP 1-180 Q10	JP 1-180 F10	JP 1-180 T10	JP 1-180 L10
21	1	Flangia mandata	Discharge flange	R1"1/2	G	1000 5082	○			○			○	
					OTS	1000 5065		○			○			
					K	1000 5108			○		○			
					KL	1002 3504							○	
						+F	+F	+F	+F	+F	+F	+F	+F	
22 (**)	1	Guarnizione	Gasket											
23	1	Tappo	Plug	R 1"	S	1000 2386	○			○		○	○	
					OTS	1000 5773		○						
					K	1000 2416			○			○		
					OTS+Z	1000 8372	+Z				○	+Z		
23.1	1	Placca zinco	Zinc anode		Z	1000 6574	+Z					+Z		
24 (**)	1	Guarnizione	Gasket											
25	1	Tenuta completa	Mechanical seal	T 30 YYN		1000 8898	○	○					○	
				T 30 YV		1000 8895			○	○	○	○		○
26	1	Portina(5)	Cover(5)		S	1000 6473	○			○		○	○	
				OTS	1000 3748		○							
				KL	1000 6502			○						
				SZ	1000 8502					○				
				GZ	1000 8502	+Z					+Z			
26.1	1	Placca zinco	Zinc anode		Z	1000 6574	+Z					+Z		
27 (**)	1	Guarnizione	Gasket											
33	1	Dado blocca girante	Impeller nut	M 18 x 1,5 UNI 7474	H	1000 1464	○			○		○	○	
				M 18 x 1,5 UNI 7474	K	1000 1471		○	○		○	○	○	
43 (**)	2	Guarnizione corpo	Casing gasket	177 x 219 x 0,5										
45	4	Vite	Screw	M 8 x 25 DIN 933	S	1000 1938	○			○		○	○	
					K	1000 2029		○	○		○	○	○	
47 (*)	8	Prigioniero	Stud	M 8 x 20 DIN 938	S		○			○		○	○	
				M 8 x 18 DIN 938	K			○	○		○	○	○	
48 (*)	8	Prigioniero	Stud	M 8 x 20 DIN 938	S		○			○		○	○	
				M 8 x 18 DIN 938	K			○	○		○	○	○	
49 (*)	2	Prigioniero	Stud	M 10 x 30 DIN 938	S		○			○		○	○	
					K			○	○		○	○	○	
50 (*)	2	Prigioniero	Stud	M 10 x 30 DIN 938	S		○			○		○	○	
					K			○	○		○	○	○	
51	4	Vite	Screw	M 10 x 35 DIN 933	S	1000 1950	○	○	○	○	○	○	○	
51.1	4	Dado	Nut	M 10 DIN 934	S	1000 1421	○	○	○	○	○	○	○	
51.2	4	Rondella	Washer	M 10 DIN 125 A	S	1000 1691	○	○	○	○	○	○	○	
52 (*)	8	Dado	Nut	M 8 DIN 934	S		○			○		○	○	
					K			○	○		○	○	○	
52.1 (*)	8	Dado	Nut	M 8 DIN 934	S		○			○		○	○	
					K			○	○		○	○	○	
53 (*)	2	Dado	Nut	M 10 DIN 934	S		○			○		○	○	
					K			○	○		○	○	○	
		Maniglietta	Wrench	M 10	OTS		+M	○		○		+M	○	
53.2 (*)	2	Dado	Nut	M 10 DIN 934	S		○			○		○	○	
					K			○	○		○	○	○	
					Maniglietta	Wrench	M 10	OTS		+M	○		○	+M
53.5 (*)	2	Rondella	Washer	M 10	S		○			○		○	○	
					K			○	○		○	○	○	
53.6 (*)	2	Rondella	Washer	M 10	S		○			○		○	○	
					K			○	○		○	○	○	
55	2	Vite	Screw	M 6 x 16 DIN 933	S	1000 1932	○	○	○	○	○	○	○	
55.2	4	Vite	Screw	M 8 x 35 DIN 931	K				○				○	
57 (*)	4	Vite	Screw	M 8 x 20 DIN 912	K		○	○	○	○	○	○	○	
58	1	Cuscinetto	Ball bearing	6206 -2RS C3		1004 0831	○	○	○	○	○	○	○	
60	1	Linguetta	Key	8x7x20 DIN 6885 A	K	1000 1621	○	○	○	○	○	○	○	
63	1	Ghiera	Sleeve		S	1004 0751	○	○	○	○	○	○	○	
66	1	Rondella	Washer	M 18 DIN 125 A	H	1000 1712	○			○		○	○	
					K	10001711		○	○		○	○	○	

Rif. N° Pos. Nr.	Quant.	Denominazione	Part name	Den. Comm. Type	Mat.*	Codice Nuovo Part No.	JP 1-180 G10	JP 1-180 B10	JP 1-180 K10	JP 1-180 P10	JP 1-180 Q10	JP 1-180 F10	JP 1-180 T10	JP 1-180 L10	
70	1	Ingrassatore	Grease nipple	1/4"		1000 1662	○	○	○	○	○	○	○	○	
	1	Cartuccia Perma	Perma cartridge			1000 1666	+P	+P	+P	+P	+P	+P	+P	+P	+P
70.2	1	Manicotto	Union	1/4"	G	1000 2352	+P	+P	+P	+P	+P	+P	+P	+P	
70.3	1	Prolunga	Grease tube	1/4"	S	1000 6955	+P	+P	+P	+P	+P	+P	+P	+P	
75	1	Motore V,230-400(3PH)	A.C.MotorV,230-400(3PH)			1004 1934	○	○	○	○	○	○	○	○	
80	1	Piede motore	Motor base			1000 7426	○	○	○	○	○	○	○	○	
80.1	1	Kit piede motore	Electric motor foot			1004 3172	○	○	○	○	○	○	○	○	
(*)		Serie viterie	Set of screws			1001 4357	○			○			○		
						1001 4383		○			○				
						1001 4387			○			○			
(**)		Serie guarnizioni	Set of gaskets			1001 4358	○						○		
						1001 4384									
						1001 4388		○	○						○
						1004 4056					○				
						1001 4381				○			○		
+F***		Kit flange	Kit flange	DN 40 PN16	G	1004 2259	○			○		○	○		
				DN 40 PN16	B	1004 2785		○			○				
				DN 40 PN16	K	1004 2789			○						○
				1"1/2 ASA150	G	1004 2817	○			○		○	○		
				1"1/2 ASA150	B	1004 2821		○			○				
				1"1/2 ASA150	K	1004 2825			○						
+P***		Kit ingrassatore	Compl. Grease kit			1000 8316	○	○	○	○	○	○	○		
+Z***		Kit portine	Set of couer			1001 4385	○						○		
+M***		Kit manigliette	Set of wrench		OTS	1004 2798	○						○		
***		Optional													

Note:	Notes:
1) Completo di prigionieri (47, 48, 49, 50).	1) Complete with studs (47, 48, 49, 50).
2) Completo di viti (57).	2) Complete with screws (57).
3) Completo di linguette (60, 61), dado (33) e rondella (66).	3) Complete with keys (60, 61), nut (33), and washer (66).
4) Completo di valvola, contappesi, vite e dado.	4) Complete with check valve, weights, screw and nut.
* Materiali di costruzione	* Construction materials
E3 = Centellen VS3820	E3 = Centellen VS3820
G = Ghisa	G = Cast iron
G+QPQ = Ghisa +trattamento QPQ	G+QPQ = Cast iron+Quench Polish Quench
GS = Ghisa sferoidale	GS = Ductile cast iron
H = Acciaio inox AISI 304	H = AISI 304 stainless steel
K = Acciaio inox AISI 316	K = AISI 316 stainless steel
KL = Acciaio inox AISI 316L	KL = AISI 316L stainless steel
N = Gomma nitrile	N = Nitrile rubber
V = Viton	V = Viton
OTS = Ottone	OTS = Brass
S = Acciaio	S = Steel
Z = Zinco	Z = Zinc
Ordinare il materiale indicando sempre la quantità, la denominazione, il codice del pezzo, il tipo ed il numero della pompa.	When ordering spares always indicate type and serial number of pump, quantity, part name, and number.