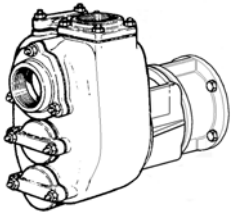
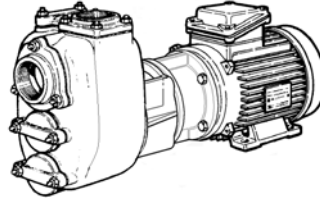


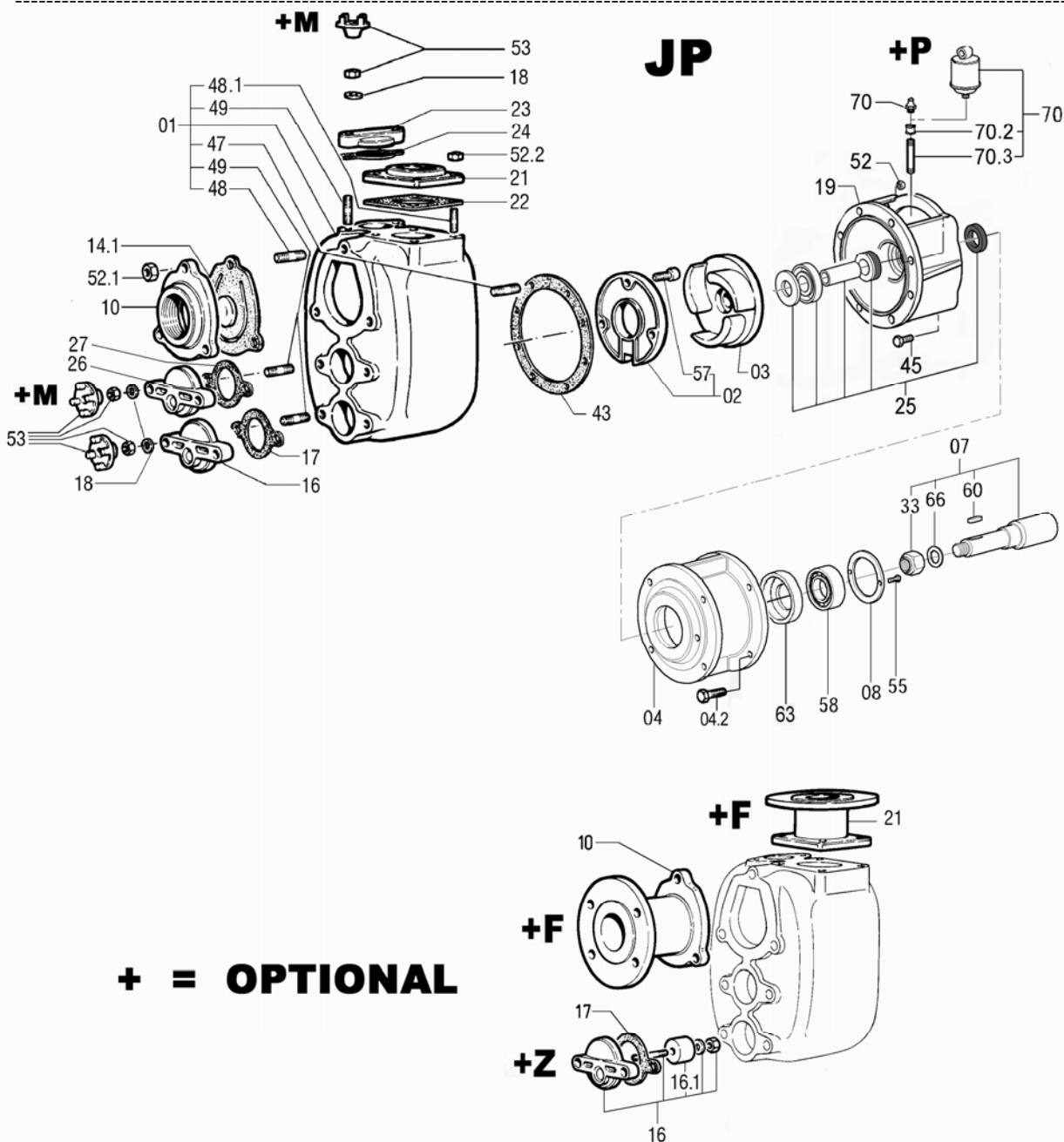
DISTINTA DELLE PARTI COSTITUENTI LE POMPE CENTRIFUGHE AUTODESCANTI SERIE "J"
 SPARE PARTS LIST FOR "J" SERIES SELF-PRIMING CENTRIFUGAL PUMPS
 LISTE DES PIÈCES DE RECHANGE POUR POMPES CENTRIFUGES AUTO-AMORÇANTES SERIE "J"
 ERSATZTEILLISTE FÜR SELBSTANSAUGENDE KREISELPUMPEN SERIE "J"



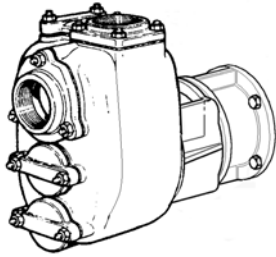
JP 2-120 G10 ET0	COD.1004 0766
JP 2-120 B10 ET0	COD.1004 3772
JP 2-120 K10 ET0	COD.1004 3726
JP 2-120 Q10 ET0	COD.1004 3774
JP 2-120 P10 ET0	COD.1004 3727
JP 2-120 F10 ET0	COD.1004 3768
JP 2-120 T10 ET0	COD.1004 3776



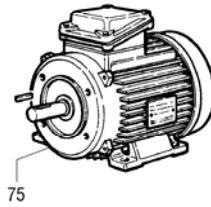
JE 2-120 G10 ET20	COD.1004 3926
JE 2-120 B10 ET20	COD.1004 3591
JE 2-120 K10 ET20	COD.1004 3952
JE 2-120 Q10 ET20	COD.1004 3598
JE 2-120 P10 ET20	COD.1004 0766
JE 2-120 F10 ET20	COD.1004 3729
JE 2-120 T10 ET20	COD.1004 3590



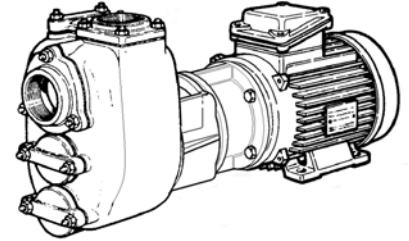
+ = OPTIONAL



+



=



JP

+

MOTORE / MOTOR

=

JE

Rif. N° Pos. Nr.	Quant.	Denominazione	Part name	Den. Comm. Type	Mat.*	Codice Nuovo New Part no	JP/JE 2-120 G10	JP/JE 2-120 B10	JP/JE 2-120 K10	JP/JE 2-120 Q10	JP/JE 2-120 P10	JP/JE 2-120 F10	JP/JE 2-120 T10	
01	1	Corpo (1)	Casing (1)		G	1000 8032	○				○			
					B	100 19287		○						
					K	1002 0726			○					
					G	1004 3784				○			○	
					G+QPQ	1004 3785								
02	1	Piatto d'usura (2)	Front wear plate (2)		G	1000 8412	○				○			
					B	1000 8390		○		○				
					K	1000 8465			○				○	
					G+QPQ	1004 3792								
03	1	Girante	Impeller		G	1000 5279	○				○			
					B	1000 5201		○		○				
					K	1000 5390			○				○	
					G+QPQ	1002 1902								
04	1	Campana	Coupling flange		G	1004 0757	○	○	○	○	○	○	○	
04.2	4	Vite	Screw	M 8 x 20 DIN 933	S	1000 1937	○				○		○	
					K	1000 2027		○	○	○			○	
07	1	Albero (3)	Shaft (3)		S	1004 0755	○				○		○	
					K			○	○	○			○	
08		Copricuscinetto	Bearing cover		G	1004 0759	○	○	○	○	○	○	○	
10	1	Portavalvola	Suction flange	R 2"	G	1000 6417	○				○	○	○	
					OTS	1000 6396		○		○				
					K	1000 6445			○					
							+F	+F	+F	+F	+F	+F	+F	
14.1	1	Valvola completa (4)	Check valve ass. (4)		NH	1000 9015	○	○				○	○	
					VK	1000 9018			○	○	○			
16	1	Portina	Cover		S	1000 6473	○				○	○	○	
					OTS	1000 3748		○						
					SZ	1000 8502	+Z			○	+Z		+Z	
		Tappo	Plug	1" DIN 908	K	1000 2416			○					
16.1	1	Placca zinco	Zinc anode		Z	1000 3810	+Z				+Z		+Z	
17(**)	1	Guarnizione	Gasket											
18(*)	2	Rondella	Washer	M 10 DIN 125										
19	1	Portamotore	Head		G	1000 6300	○				○	○		
					B	1000 6271		○						
					K	1000 6352			○					
					G+QPQ	1002 1903								
21	1	Flangia mandata	Discharge flange	R 2"	G	1000 5085	○				○	○	○	
					OTS	1000 6396		○		○				
					K	1000 6445			○					
											+F	+F	+F	+F
22(**)	1	Guarnizione	Gasket											

Rif. N° Pos. Nr.	Quant.	Denominazione	Part name	Den. Comm. Type	Mat.*	Codice Nuovo New Part no	JP/JE 2-120 G10	JP/JE 2-120 B10	JP/JE 2-120 K10	JP/JE 2-120 Q10	JP/JE 2-120 P10	JP/JE 2-120 F10	JP/JE 2-120 T10
23	1	Portina	Cover		S	1000 6473	○				○	○	○
					OTS	1000 3748		○					
					SZ	1000 8502	+Z		○	+Z		+Z	
		Tappo	Plug	1" DIN 908	K	1000 2416			○				
24(**)	1	Guarnizione	Gasket										
25	1	Anello di tenuta compl.	Mechanical seal ass.	T 22 YYN		1004 0762	○	○					○
						1004 3766			○	○	○	○	○
26	1	Portina	Cover		S	1000 6473	○				○	○	○
					OTS	1000 3748		○					
					SZ	1000 8502	+Z		○	+Z		+Z	
		Tappo	Plug	1" DIN 908	K	1000 2416			○				
27	1	Guarnizione	Gasket										
33	1	Dado blocca girante	Impeller nut	M 14x1,5 UNI 7474	H	1000 1463	○				○	○	
					K	1000 1470		○	○	○		○	
43(**)	1	Guarnizione corpo	Casing gasket										
45	4	Vite	Screw	M 8 x 20 DIN 933	S	1000 1937	○				○	○	
					K	1000 2027		○	○	○		○	
47(*)	8	Prigioniero	Stud	M 8x18 DIN 938	S		○				○	○	
					K			○	○	○		○	
48(*)	3	Prigioniero	Stud	M 10x25 DIN 938	S		○				○	○	
					K			○	○	○		○	
48.1(*)	4	Prigioniero	Stud	M 10x25 DIN 938	S		○				○	○	
					K			○	○	○		○	
49(*)	6	Prigioniero	Stud	M 10x30 DIN 938	S		○				○	○	
					K			○		○		○	
52(*)	8	Dado	Nut	M 8 DIN 934	S		○				○	○	
					K			○	○	○		○	
52.1(*)	3	Dado	Nut	M 10 DIN 934	S		○				○	○	
					K			○	○	○		○	
52.2(*)	4	Dado	Nut	M 10 DIN 934	S		○				○	○	
					K			○	○	○		○	
53(*)	6	Dado	Nut	M 10 DIN 934	S		○				○	○	
					K			○		○		○	
					K			○		○		○	
	6	Maniglietta	Wrench	M 10	OTS		+M			+M		+M	
55	2	Vite	Screw	M 5 x 14 DIN 912	S	1000 1897	○	○	○	○	○	○	
57(*)	3	Vite	Screw	M 8 x 16 DIN 912	H		○				○	○	
					K			○	○	○		○	
58	1	Cuscinetto	Ball bearing	6205 2RS	S	1000 1357	○	○	○	○	○	○	
60	1	Linguetta	Key	6x6x16 DIN 6585 A	K	1000 1619	○	○	○	○	○	○	
63	1	Ghiera	Sleeve	D. 20	S	1004 0756	○	○	○	○	○	○	
66	1	Rondella	Washer	M 14 DIN 125	H	1000 1709	○				○	○	
					K	1000 1708		○	○	○		○	
70(*)	1	Ingrassatore	Grease nipple	1/4"			○	○	○	○	○	○	
		Cartuccia Perma	Perma Cartridge	1/4"			+P	+P	+P	+P	+P	+P	
70.2	1	Manicotto	Union	1/4"			+P	+P	+P	+P	+P	+P	
70.3	1	Prolunga	Grease tube	1/4"			+P	+P	+P	+P	+P	+P	
75	1	Motore V. 230-400(TRIFASE)	A.C. Motor V. 230-400(THREE PHASE)	2,2kW B34 IP55		1004 1933	○	○	○	○	○	○	
		Motore V. 230(MONOFASE)	A.C. Motor V. 230(SINGLE PHASE)	2,2kW B34 IP55		1004 3228	○	○	○	○	○	○	
(*)	1	Serie viterie	Set of screw			1001 4094	○				○	○	
						1001 4113		○		○		○	
						1001 4115			○				
(**)	1	Serie guarnizioni	Set of gaskets			1001 4095	○						○
						10014097		○					
						1001 4119			○				
						1001 4116			○				
						1001 4098				○	○		

Rif. N°. Pos. Nr.	Quant.	Denominazione	Part name	Den. Comm. Type	Mat.*	Codice Nuovo New Part no	JP/JE 2-120 G10	JP/JE 2-120 B10	JP/JE 2-120 K10	JP/JE 2-120 Q10	JP/JE 2-120 P10	JP/JE 2-120 F10	JP/JE 2-120 T10	
+F***		Kit flange (Optional)	Kit flange (Optional)	DN 50 PN16	G	1004 2783	○				○	○	○	
				DN 50 PN16	B	1004 2786		○		○				
				DN 50 PN16	K	1004 2790			○					
				2" ASA150	G	1004 2809	○				○	○	○	
				2" ASA150	B	1004 2805		○		○				
				2" ASA150	K	1004 2813			○					
+P***		Kit ingrassatore (Optional)	Compl. Grease kit (Optional)			1000 8316	○	○	○	○	○	○		
+Z***		Kit portine (Optional)	Set of couver (Optional)		GZ	1004 2799	○				○	○		
+M***		Kit manigliette (Optional)	Set of wrench (Optional)		OTS	1004 2260	○				○	○		
***		Optional												

Note:	Notes:
1) Completo di prigionieri (47, 48, 48.1, 49)	1) Complete with studs (47, 48, 48.1, 49)
2) Completo di viti (57)	2) Complete with screws (57)
3) Completo di dado, rondella e linguette (33, 60, 61, 66)	3) Complete with nut, washer and keys (33, 60, 61, 66)
4) Completo valvola, contrappesi, vite e dado	4) Complete with check valve, weights, screw and nut.
* Materiali di costruzione	* Construction materials
G = Ghisa	G = Cast iron
B = Bronzo	B = Bronze
H = Acciaio inox AISI 304	H = AISI 304 stainless steel
K = Acciaio inox AISI 316	K = AISI 316 stainless steel
N = Gomma nitrile	N = Nitrile rubber
OTS = Ottone	OTS = Brass
S = Acciaio	S = Steel
V = Viton	V = Viton
Z = Zinco	Z = Zinc
Ordinare il materiale indicando sempre la quantità, la denominazione, il codice del pezzo, il tipo ed il numero della pompa.	When ordering spares always indicate type and serial number of pump, quantity, part name, and number.