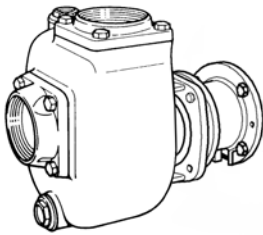
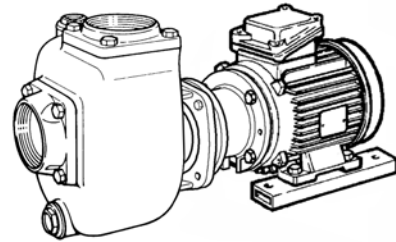


DISTINTA DELLE PARTI COSTITUENTI LE POMPE CENTRIFUGHE AUTOADESCANTI SERIE " J "
SPARE PARTS LIST FOR " J " SERIES SELF-PRIMING PUMPS
LISTE DES PIECES DE RECHANGE POUR POMPES CENTRIFUGES AUTO-AMORCANTES SERIE " J "
ERSATZTEILLISTE FÜR SELBSTANSAUGENDE KREISELPUMPEN SERIE " J "

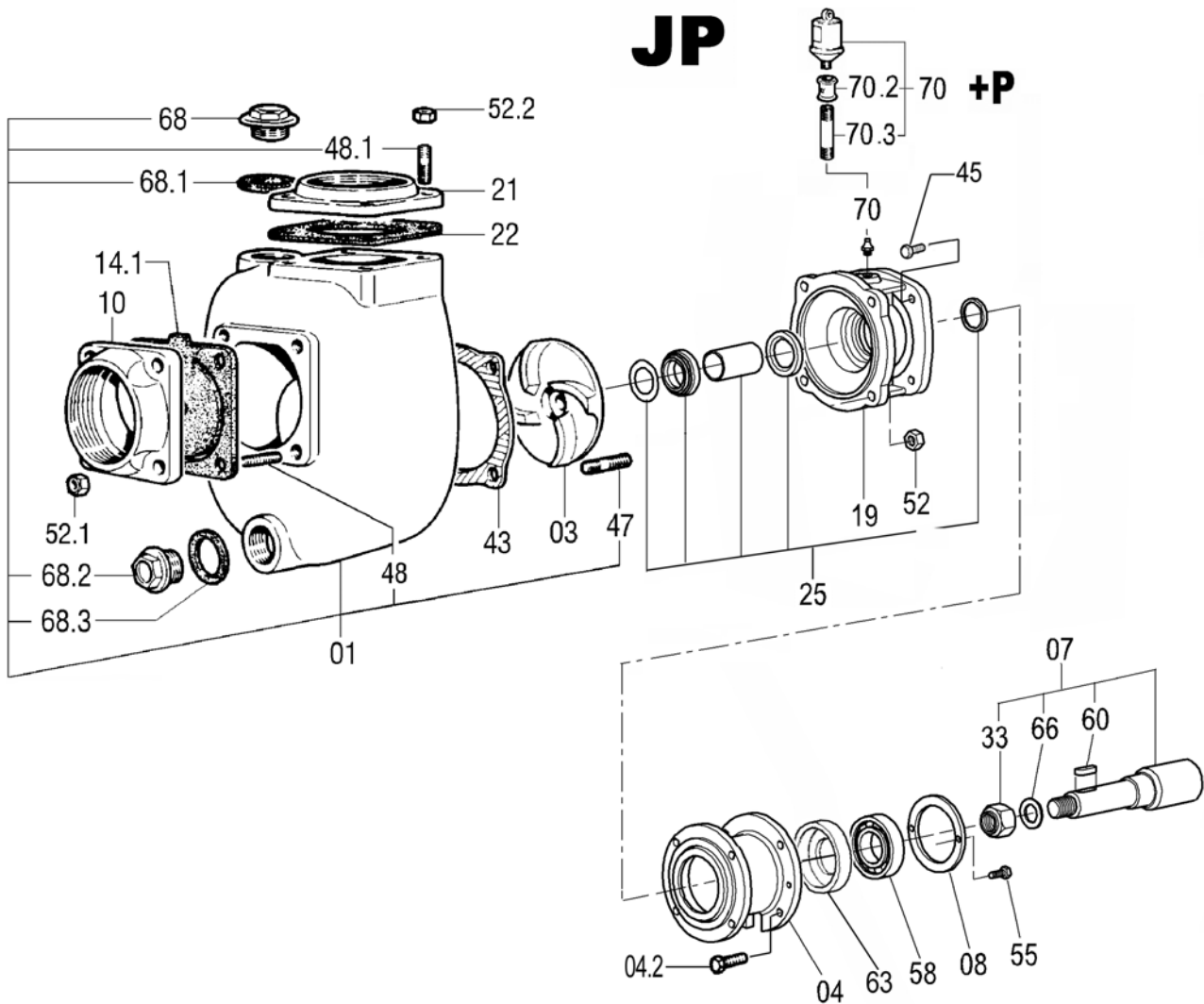


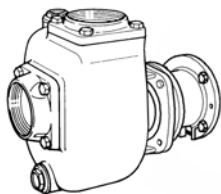
JP 3-100 G10 ETO	Code 1004 0767
JP 3-100 G30 ETO	Code 1004 3606
JP 3-100 P10 ETO	Code 1004 3634
JP 3-100 P30 ETO	Code 1004 3639
JP 3-100 T10 ETO	Code 1004 3645



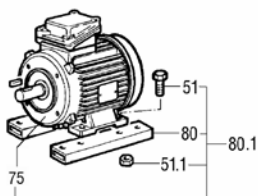
JE 3-100 G10 ET20	Code 1004 2931
JE 3-100 G30 ET20	Code 1004 3603
JE 3-100 P10 ET20	Code 1004 3608
JE 3-100 P30 ET20	Code 1004 3604
JE 3-100 T10 ET20	Code 1004 3607

JP

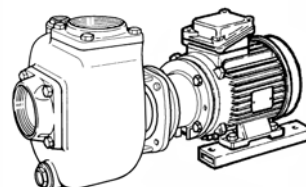




+



=



JP

+

MOTORE / MOTOR

=

JE

Rif. N° Pos. Nr.	Quant.	Denominazione	Part name	Den. Comm. Type	Mat.*	Codice Nuovo New Part no	JP 3-100 G10	JP 3-100 G30	JP 3-100 P10	JP 3-100 P30	JP 3-100 T10
01	1	Corpo (1)	Casing (1)		G	1000 8028	○	○	○	○	
					G+QPQ	1004 3684					○
03	1	Girante	Impeller		G	1000 5260	○	○	○	○	
					G+QPQ	1003 6735					○
04	1	Campana	Coupling flange		G	1004 0757	○	○	○	○	○
04.2	4	Vite	Screw	M 8 x 20 DIN 933		1000 1937	○	○	○	○	○
07	1	Albero (2)	Shaft (2)		S	1004 0755	○	○	○	○	○
08		Copricuscinetto	Bearing cover		G	1004 0759	○	○	○	○	○
10	1	Portavalvola	Suction flange	R 3"	AP	1000 6385	○	○	○	○	○
				DIN DN80 PN16	G		+F	+F	+F	+F	+F
14.1	1	Valvola completa (3)	Check valve ass. (3)		NH	1000 9020	○	○			○
					VK	1000 9022			○	○	
19	1	Portamotore	Head		G	1000 6292	○	○	○	○	
					G+QPQ	1003 6736					
21	1	Flangia mandata	Discharge flange	R 3"	AP	1000 5058	○	○	○	○	○
				DIN DN80 PN16	G		+F	+F	+F	+F	+F
22(**)	1	Guarnizione	Gasket								
25	1	Anello di tenuta compl.	Mechanical seal ass.	T 22 YSN		1004 0761	○				○
				T 22 GSN		1004 3610		○			
				T 22 YYV		1004 3632			○		
				T 22 GYV		1004 3635				○	
33	1	Dado blocca girante	Impeller nut	M 14x1,5 UNI 7474	H	1000 1463	○	○	○	○	○
43(**)	1	Guarnizione corpo	Casing gasket								
45	4	Vite	Screw	M 8 x 20 DIN 933	S	1000 1937	○	○	○	○	○
47(*)	4	Prigioniero	Stud	M 8x18 DIN 938	S		○	○	○	○	○
48(*)	4	Prigioniero	Stud	M 10x25 DIN 938	S		○	○	○	○	○
48.1(*)	4	Prigioniero	Stud	M 10x25 DIN 938	S		○	○	○	○	○
51	4	Vite	Screw	M 8x25 DIN 933	S	1000 1938	○	○	○	○	○
51.1	4	Dado	Nut	M 8 DIN 934	S	1000 1420	○	○	○	○	○
52(*)	4	Dado	Nut	M 8 DIN 934	S		○	○	○	○	○
52.1(*)	4	Dado	Nut	M 10 DIN 934	S		○	○	○	○	○
52.2(*)	4	Dado	Nut	M 10 DIN 934	S		○	○	○	○	○
55	2	Vite	Screw	M 5 x 14 DIN 912	S	1000 1897	○	○	○	○	○
57(*)	3	Vite	Screw	M 8 x 16 DIN 912	H		○	○	○	○	○
58	1	Cuscinetto	Ball bearing	6205 2RS	S	1000 1357	○	○	○	○	○
60	1	Linguetta	Key	6x6x16 DIN 6585 A	K	1000 1619	○	○	○	○	○
63	1	Ghiera	Sleeve	D. 20	S	1004 0756	○	○	○	○	○
66	1	Rondella	Washer	M 14 DIN 125	H	1000 1709	○	○	○	○	○
68	1	Tappo	Plug	R 1"	S	1000 2386	○	○	○	○	○
68.1 (**)	1	Guarnizione	Gasket								
68.2	1	Tappo	Plug	R 1"	S	1000 2386	○	○	○	○	○
68.3 (**)	1	Guarnizione	Gasket								
70(*)	1	Ingrassatore	Grease nipple	1/4"			○	○	○	○	○
80	2	Piede motore	Motor base		S	1004 3154	○	○	○	○	○
80.1	1	Kit piede motore	Electric motor foot			1004 3175	○	○	○	○	○
(*)	1	Serie viterie	Set of screw			1001 4082	○	○	○	○	○
(**)	1	Serie guarnizioni	Set of gaskets			1001 4081	○	○	○	○	○

VARISCO S.p.A.

Terza Strada, 9 - Z.I. Nord - 35129 Padova - Italy

Tel. 049 82 94 111

+39 049 82 94 111

Fax 049 82 94 373

International +39 049 80 76 762

Rif. N° Pos. Nr.	Quant.	Denominazione	Part name	Den. Comm. Type	Mat.*	Codice Nuovo New Part no	JP 3-100 G10	JP 3-100 G30	JP 3-100 P10	JP 3-100 P30	JP 3-100 T10
+F ***		Kit flange (optional)	Kit flange (optional)	DN 80 PN16	G	1004 2820	○	○	○	○	○
				3" ASA150	G	100 2819	○	○	○	○	○
+P ***		Kit ingrassatore (optional)	Coml.grease kit (optional)			1000 8316	○	○	○	○	○
Optional											

Note:

- 1) Completo di prigionieri (47, 48, 48.1, 49)
- 2) Completo di dado, rondella e linguette (33, 60, 61, 66)
- 3) Completo valvola, contrappesi, vite e dado

*** Materiali di costruzione**

A	= Alluminio
G	= Ghisa
H	= Acciaio inox AISI 304
K	= Acciaio inox AISI 316
N	= Gomma nitrile
S	= Acciaio
V	= Viton

Ordinare il materiale indicando sempre la quantità, la denominazione, il codice del pezzo, il tipo ed il numero della pompa.

Notes:

- 1) Complete with studs (47, 48, 48.1, 49)
- 2) Complete with nut, washer and keys (33, 60, 61, 66)
- 3) Complete with check valve, weights, screw and nut.

*** Construction materials**

A	= Aluminium
G	= Cast iron
H	= AISI 304 stainless steel
K	= AISI 316 stainless steel
N	= Nitrile rubber
S	= Steel
V	= Viton

When ordering spares always indicate type and serial number of pump, quantity, part name, and number.

: <http://www.varisco.ru> E-mail: info@varisco.ru

VARISCO
: (495) 642-56-03, (495) 642-54-38

"

"

"

VARISCO S.p.A.

Terza Strada, 9 - Z.I. Nord - 35129 Padova - Italy

Tel. 049 82 94 111 +39 049 82 94 111

Fax 049 82 94 373 International +39 049 80 76 762

