

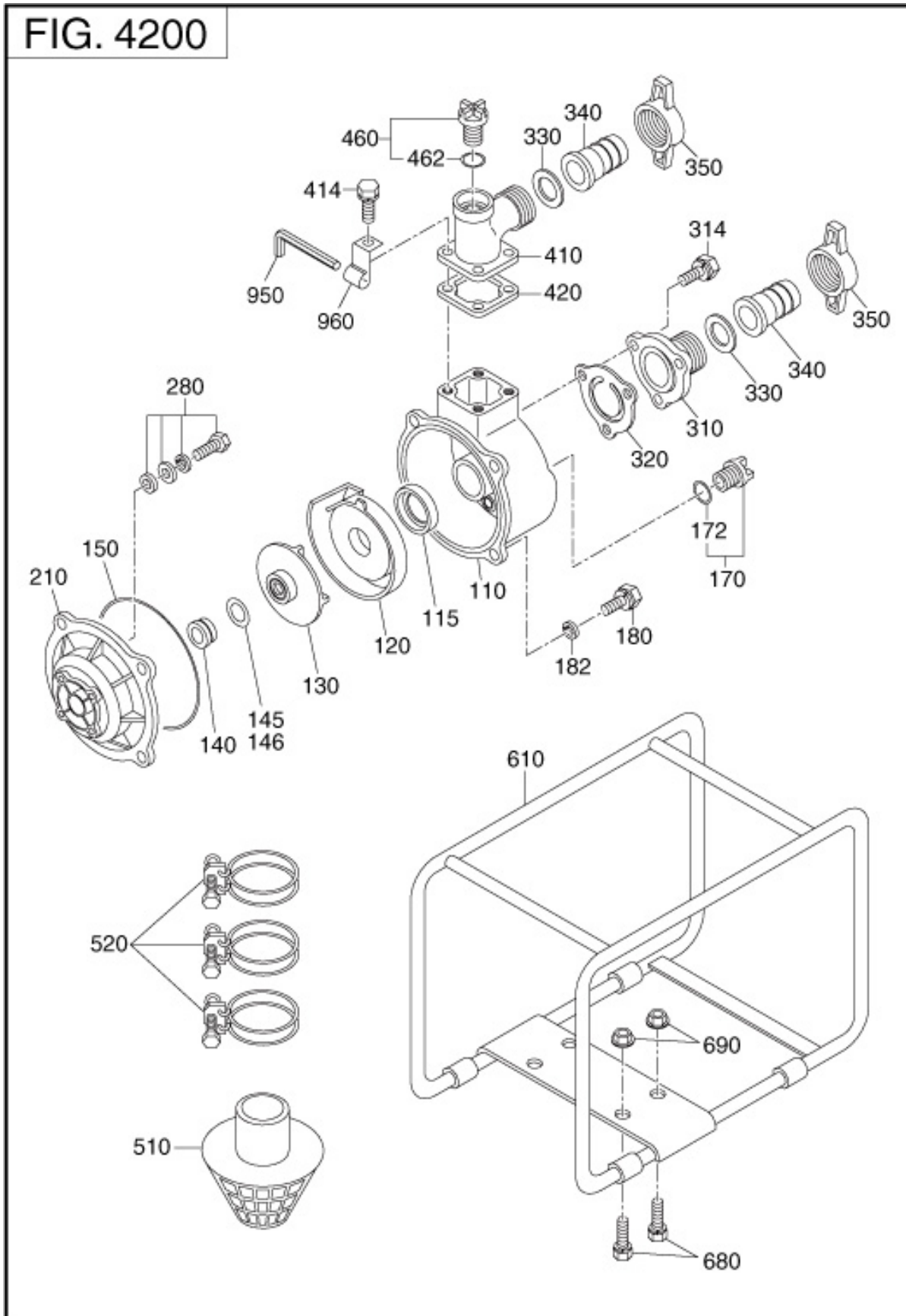
DESPIECE
PEÇAS
SPARE PARTS
VUES ECLATÉES



BENZA
www.benza.es

Three horizontal grey bars, likely intended for contact information or a signature.

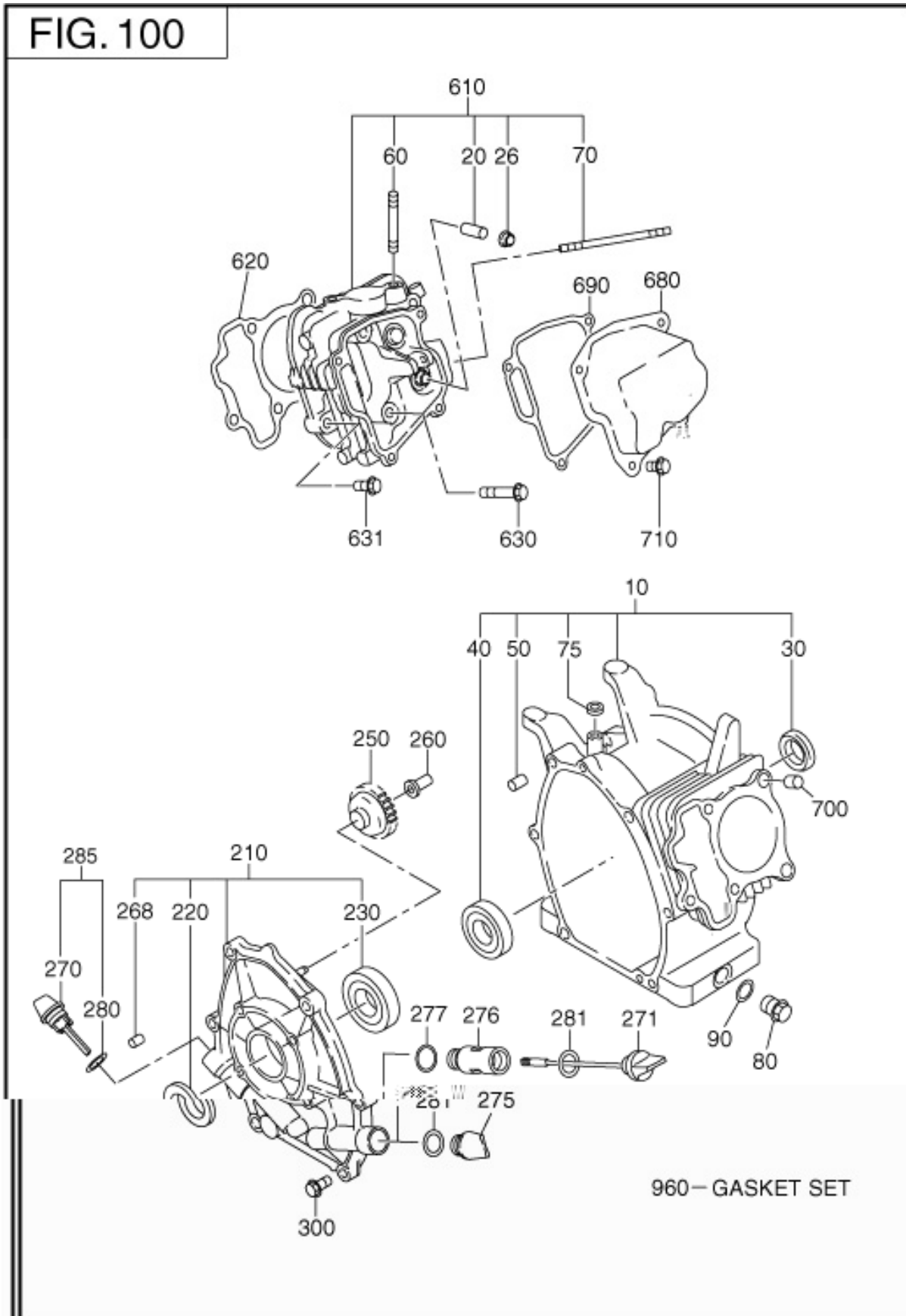
42 PUMP



REF.	PART NUMBER	PART NAME	CODE NO.	QTY	REMARKS	INTERCHANGE
110	480-08030-01	CASING	-	1		
115	480-08010-12	PACKING,INNER CASING	-	1		
120	480-08710-11	INNER CASING	-	1		
130	480-08710-09	IMPELLER	-	1		
140	480-05210-08	MECHANICAL SEAL	-	1		
145	480-08010-37	SHIM	-	1	T=0.3	
146	480-08010-38	SHIM	-	1	T=0.6	
150	480-05010-02	O-RING	-	1		
170	480-05010-21	PLUG,DRAIN	-	1		
172	480-05010-22	O-RING	-	1		
180	480-05710-99	SOCKET BOLT	-	4		
182	481-00001-71	SPRING WASHER	-	4		
210	480-05010-04	CASING COVER	-	1		
280	480-05010-05	CASING BOLT AY	-	4		
310	480-08010-13	VALVE CASE	-	1		
314	480-08010-14	BOLT & WASHER AY	-	3		
320	480-08010-15	CHECK VALVE	-	1		
330	480-08010-17	PACKING,COUPLING	-	2		
340	481-00001-08	HOSE NIPPLE	-	2		
350	480-08010-16	COUPLING,HANDLE	-	2		
410	480-08010-19	BEND	-	1		
414	481-00001-70	HEX BOLT	-	4		
420	480-08010-20	PACKING BEND	-	1		
460	480-05010-21	PLUG,DRAIN	-	1		
462	480-05010-22	O-RING	-	1		
510	480-08750-29	STRAINER (ABS)	-	1		
520	480-08010-28	HOSE BAND	-	3		
610	481-00001-51	FRAME	-	1		
680	480-05010-23	HEX BOLT	-	4		
690	480-05010-24	FLANGE NUT	-	4		

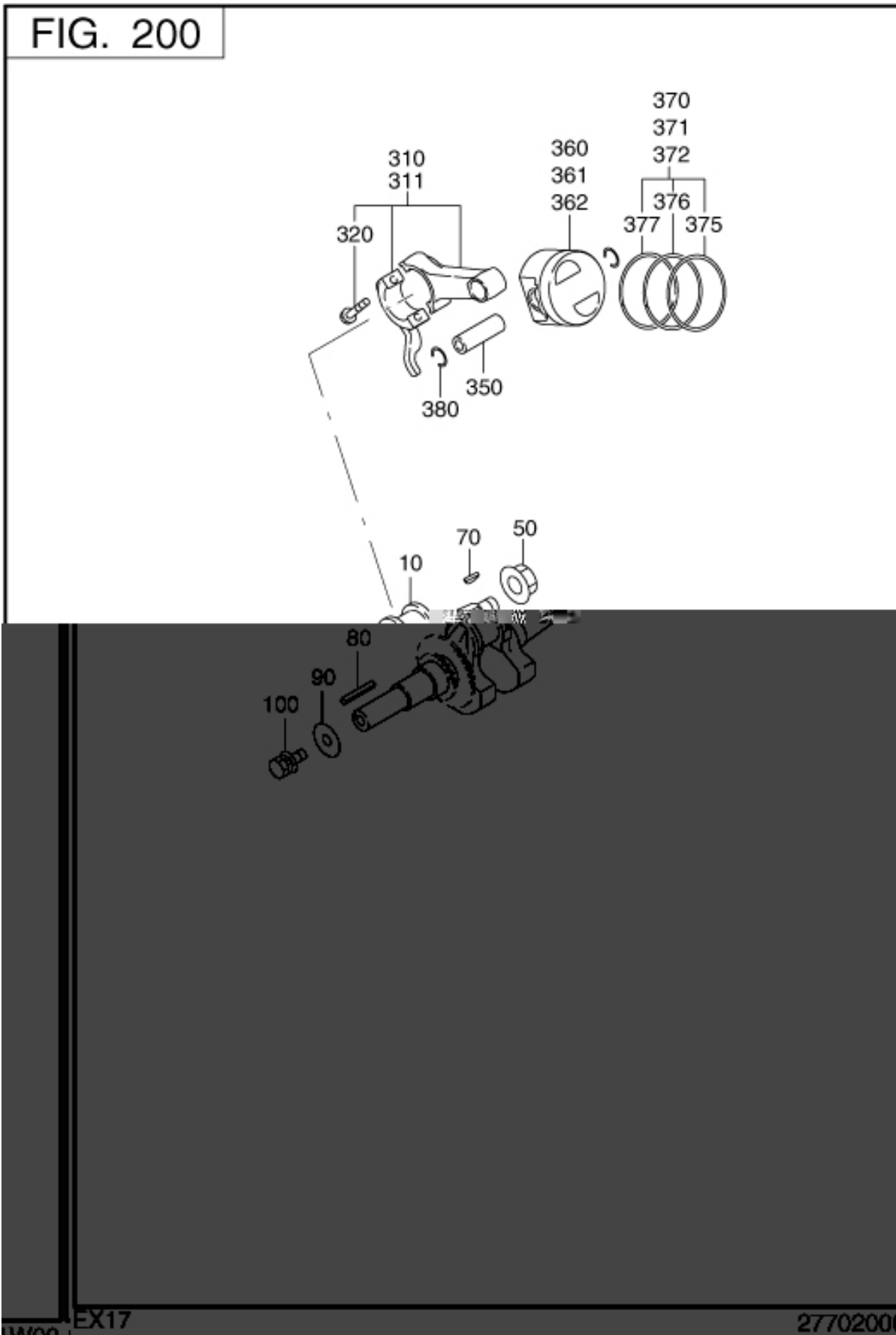
REF.	PART NUMBER	PART NAME	CODE NO.	QTY	REMARKS	INTERCHANGE
950	480-05710-92	HEX SOCKET SCREW	-	1		
960	480-05710-21	HOOK	-	1		

1 CRANK CASE



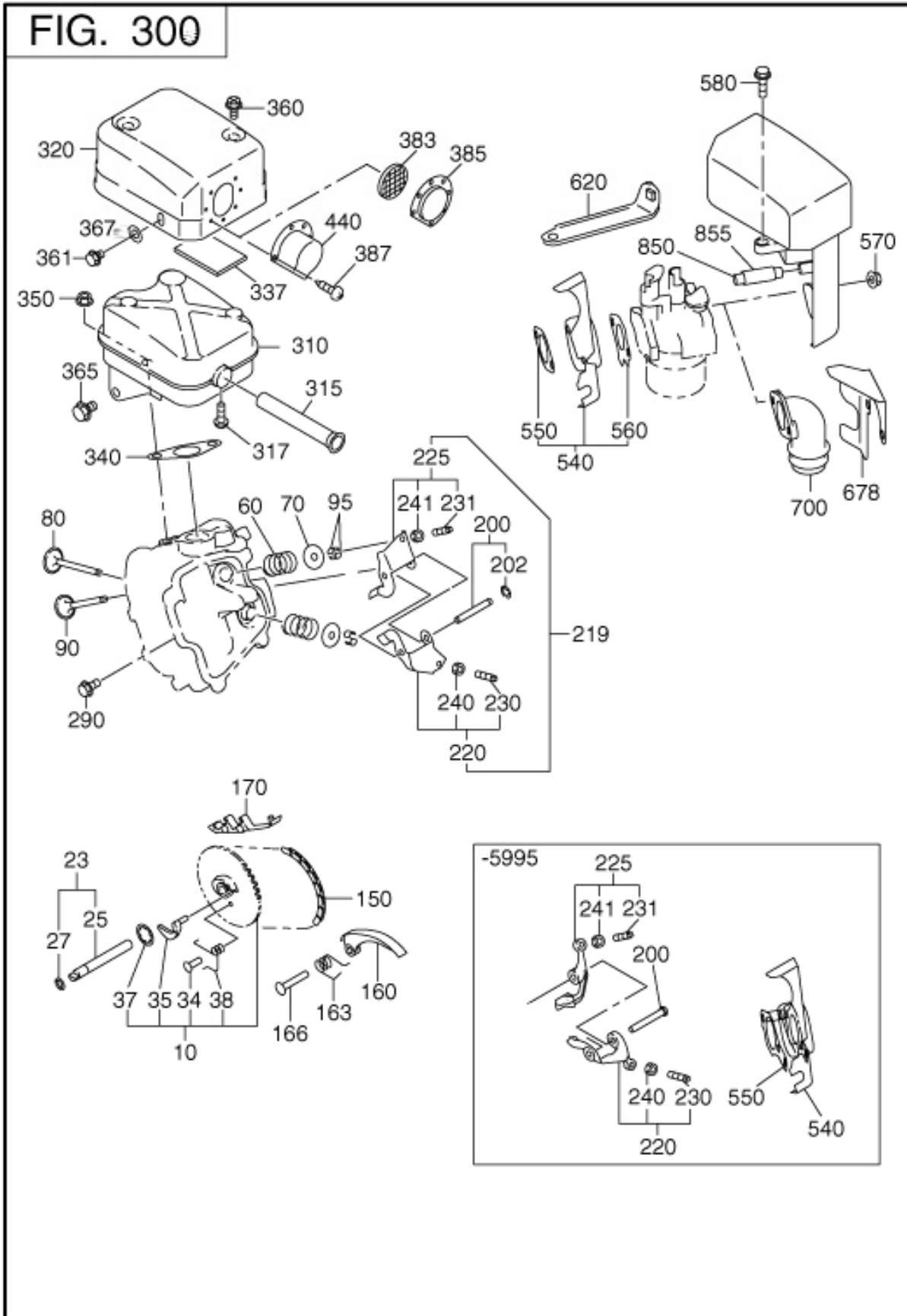
REF.	PART NUMBER	PART NAME	CODE NO.	QTY	REMARKS	INTERCHANGE
10	277-10102-51	CRANK CASE CP	-	1		
20	237-14202-03	VALVE GUIDE	-	2	5. 5DX9. 5DX27L	
26	277-16010-01	STEM SEAL	-	1	5. 5DX9. 5DX15DX7. 8B	
30	044-02502-00	OIL SEAL	-	1	25DX38DX7B	
40	060-02800-21	BALL BEARING	-	1	28DX58DX16B	
50	277-15011-03	PIPE KNOCK	-	2	10. 3DX8. 5DX14L	
60	010-50802-50	STUD	-	2	M8X1. 25X25L	
70	010-50603-51	STUD	-	2	M6X1. 0X98L	
75	044-00600-20	OIL SEAL 6X10X2.5	-	1		
80	040-11400-30	PLUG	-	2	M14X1. 5X20DX12L	
90	021-11400-20	GASKET	-	2	14. 1DX19DX2. 3T	
210	277-11001-31	MAIN BEARING COVER C	-	1	FLANGE 4-M8X1. 25	277-11001-41
220	044-02502-10	OIL SEAL	-	1	25DX41. 25DX6B	
230	X60-02501-40	BALL BEARING	-	1	25DX52DX15B	
250	277-45004-J1	GOVERNOR GEAR CP	-	1	53DX29. 1T N=33	277-45004-K1
260	277-41901-03	GOVERNOR SLEEVE	-	1		277-41902-01
280	277-63601-08	GASKET	-	2		
285	277-63601-30	OIL GAUGE AY	-	2		
300	001-04083-50	FLANGE BOLT	-	6	M8X1. 25X16DX35L	
610	277-13001-11	CYLINDER HEAD CP	-	1		
620	277-15001-23	GASKET(HEAD)	-	1	T=0. 2	277-15001-33
630	011-00802-40	FLANGE BOLT	-	4	M8X1. 25X16DX68L	
631	011-00803-10	FLANGE BOLT	-	1	M8X1. 25X16DX33L	
680	277-15503-01	ROCKER COVER CP	-	1		
690	277-16001-13	GASKET(ROCKER COVER)	-	1	T=0. 5	
700	277-15011-03	PIPE KNOCK	-	2	10. 3DX8. 5DX14L	
710	011-00600-20	FLANGE BOLT	-	4	M6X1. 0X14DX12L	
960	277-99001-47	GASKET SET	-	1		277-99001-57

2 CRANKSHAFT,PISTON



REF.	PART NUMBER	PART NAME	CODE NO.	QTY	REMARKS	INTERCHANGE
10	277-20301-21	CRANK SHAFT CP	-	1	L=277 20DX55. 4L+M18	
50	018-01400-20	FLANGE NUT	-	1	M14X1. 5X28DX12H	
70	032-30300-10	WOODRUFF KEY	-	1	3BX6HX16D	
310	277-22501-10	CONNECTING ROD AY	-	1	84. 5CDX25B 30D-16D	
311	277-22502-00	CONNECTING ROD AY	-	1	0. 25 U. S.	
320	277-23001-03	CONNECTING ROD BOLT	-	2	M6X1. 0X13DX33L	
350	277-23301-13	PISTON PIN	-	1	16DX11DX48. 5L	
360	277-23401-J3	PISTON	-	1	STD (67DX40H)	
361	277-23403-J3	PISTON	-	1	0. 25 O. S. (67DX40H)	
362	277-23404-J3	PISTON	-	1	0. 50 O. S. (67DX40H)	
370	277-23501-17	PISTON RING SET	-	1	STD(67D) OIL 3PIECE	277-23531-07
371	277-23502-17	PISTON RING SET	-	1	0. 25 O. S. OIL 3PIECE	277-23532-07
372	277-23503-17	PISTON RING SET	-	1	0. 50 O. S. OIL 3PIECE	277-23533-07
380	056-51600-10	CLIP	-	2	17. 1DX1. 4D	

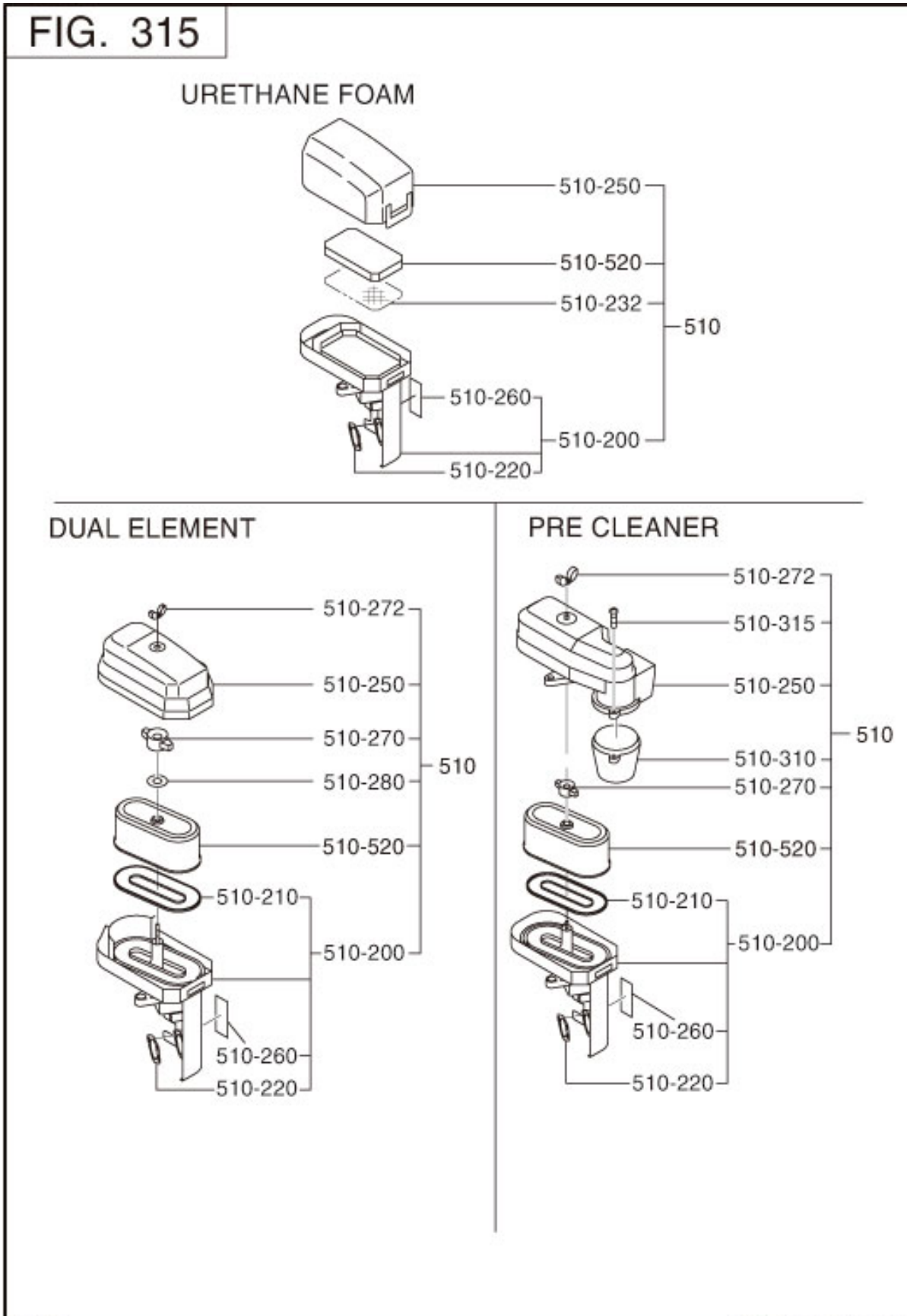
3 INTAKE EXHAUST



REF.	PART NUMBER	PART NAME	CODE NO.	QTY	REMARKS	INTERCHANGE
10	277-31601-31	CAM SHAFT CP	-	1	85DX2. 9B N=40	277-31601-41
23	277-35101-01	PIN(CAM SHAFT)CP	-	1		
27	024-00600-10	O RING	-	1	5. 8DX9. 6D	024-00600-30
34	277-38601-03	PIN(SPRING)	-	1	4DX8DX9L	
35	277-36401-03	RELEASE LEVER	-	1		
37	277-36501-03	CLIP	-	1	13. 8DX20. 3DX0. 4T	
38	277-38702-03	RETURN SPRING	-	1	5. 1DX0. 6DX4. 4L N=7	
60	279-33601-03	VALVE SPRING	-	2	19. 2DX2. 3DX27. 4L	
70	269-33701-03	SPRING RETAINER	-	2		
80	277-33401-H3	INTAKE VALVE	-	1	25. 5DX5. 5DX68. 1L	
90	277-33501-H3	EXHAUST VALVE	-	1	23. 5DX5. 5DX68. 1L	
95	132-10KA0-31	COLLET-VALVE	-	4		
150	277-35601-11	TIMING CHAIN CP	-	1	88 LINK	277-35602-H1
160	277-36911-03	TENTIONER	-	1		
163	277-37101-03	SPRING(TENTIONER)	-	1	10DX1. 8DX14L N=4. 5	
166	277-36902-03	PIN(TENTIONER)	-	1	6DX13DX34L	
170	277-36913-13	CHAIN GUIDE	-	1		
200	277-35002-01	PIN(ROCKER) CP	-	1	6DX46L	277-35004-01
202	003-13050-00	CLIP	-	1	5DX11DX0. 6T	
219	277-36001-07	ROCKER ARM AY SET	-	1		
230	014-90500-20	ADJUST SCREW	-	1	M5X0. 5X23L	
231	014-90500-20	ADJUST SCREW	-	1	M5X0. 5X23L	
240	017-00500-30	NUT	-	1	M5X0. 5X4. 1H	
241	017-00500-30	NUT	-	1	M5X0. 5X4. 1H	
290	011-00600-20	FLANGE BOLT	-	1	M6X1. 0X14DX12L	
310	277-30111-J1	MUFFLER CP	-	1		
320	277-34204-21	MUFFLER COVER CP	-	1		
340	277-35201-13	GASKET(MUFFLER)	-	1	T=0. 2 26D 9DX58P	
350	002-38080-00	FLANGE NUT	-	2	M8X1. 25X17DX7. 5H	
360	015-20600-90	TAPPING BOLT	-	2	M6X13DX10L	

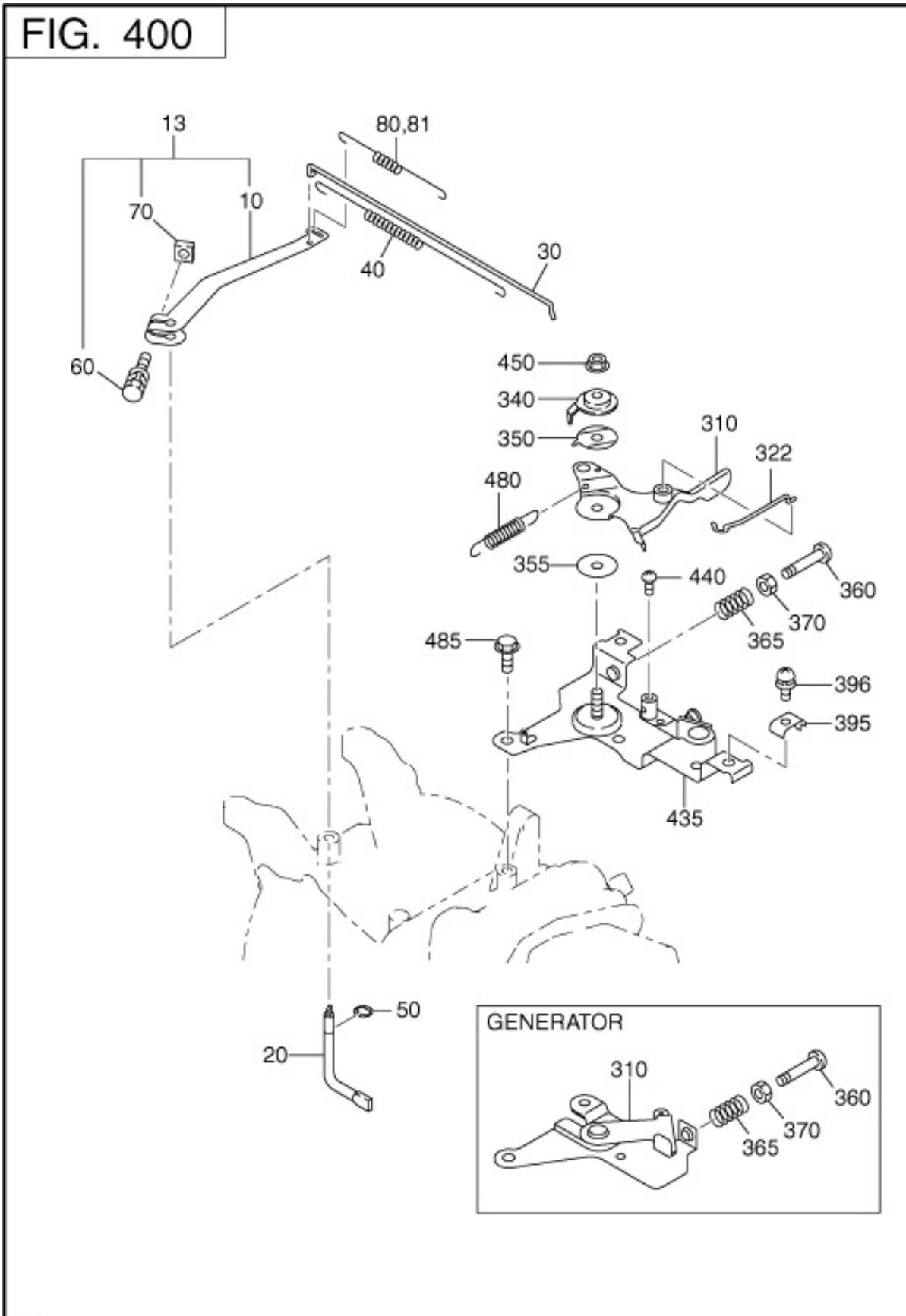
REF.	PART NUMBER	PART NAME	CODE NO.	QTY	REMARKS	INTERCHANGE
361	011-00600-10	FLANGE BOLT	-	1	M6X1.0X14DX8L	
365	011-00803-20	FLANGE BOLT	-	1	M8X1.25X16DX12L	
367	20A-02101-00	WASHER	-	1		
385	277-37203-H1	SCREEN CP	-	1		
387	015-00400-60	TAPPING SCREW	-	2	M4X6L	
540	277-32902-J1	INSULATOR CP	-	1		
550	277-35903-J3	GASKET2(INSULATOR)	-	1	T=0.5	
560	277-35902-J3	GASKET1(INSULATOR)	-	1	T=0.5	
570	002-38060-00	FLANGE NUT	-	2	M6X1.0X13DX6H	
580	011-00600-50	FLANGE BOLT	-	1	M6X1.0X13DX20L	001-04062-00
850	277-32760-08	BREATHER PIPE	-	1	8DX11DX104L	

3 INTAKE EXHAUST



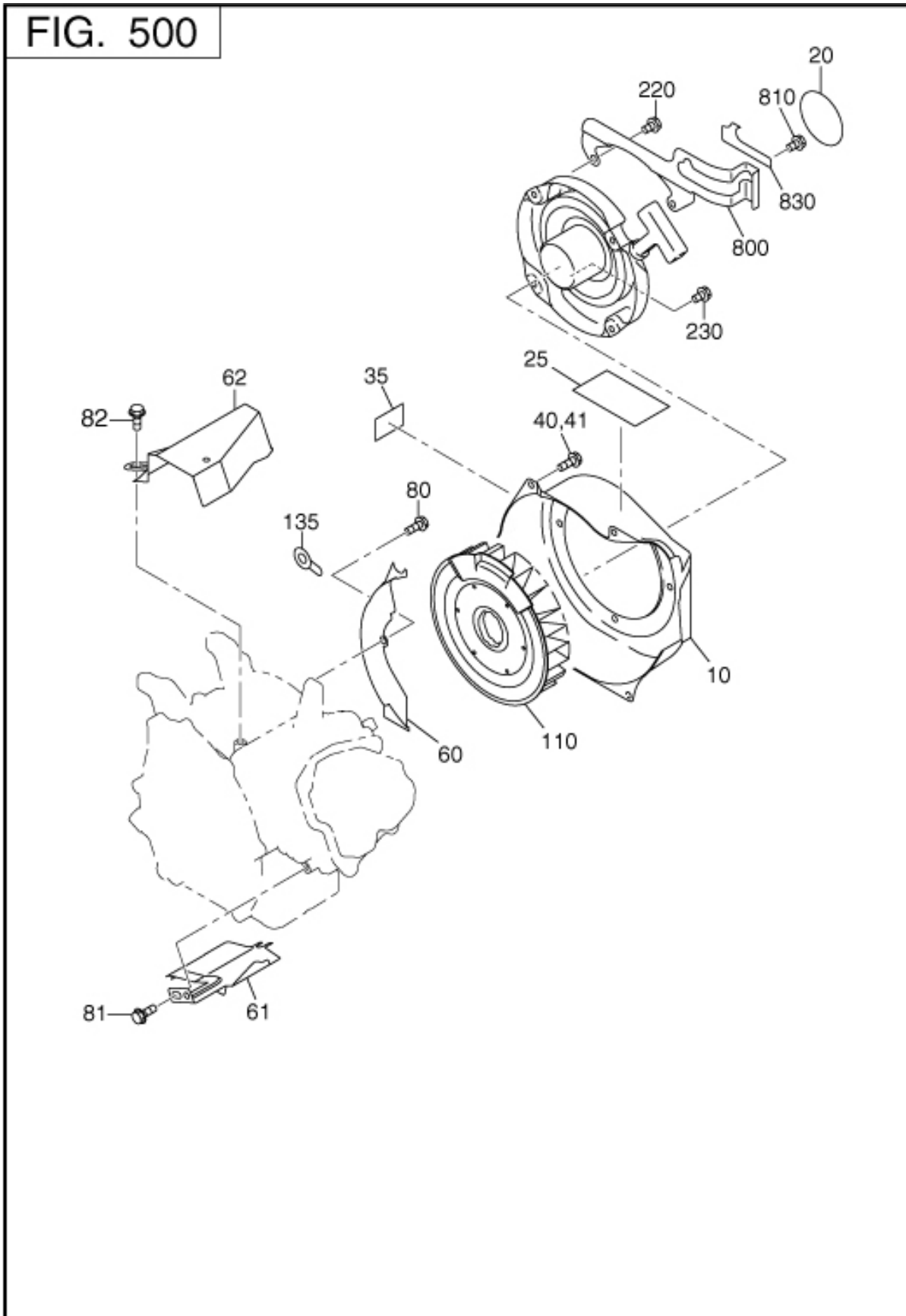
REF.	PART NUMBER	PART NAME	CODE NO.	QTY	REMARKS	INTERCHANGE
510	277-32615-20	AIR CLEANER AY	-	1	DUAL	277-32615-30
-200	277-32630-18	BASE CP	-	1		
-210	277-32610-08	PACKING	-	1		
-220	277-32604-08	PACKING	-	1		
-250	277-32640-08	COVER CP	-	1		
-260	277-32609-08	LABEL	-	1		
-270	277-32741-18	WING NUT	-	1		
-272	277-32607-08	WING NUT	-	1		277-32607-18
-520	277-32611-07	ELEMENT SET	-	1	DUAL	20A-32636-00

4 GOVERNOR OPERATION



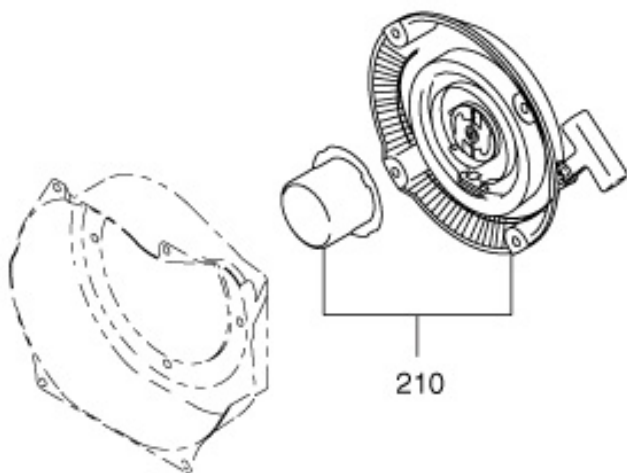
REF.	PART NUMBER	PART NAME	CODE NO.	QTY	REMARKS	INTERCHANGE
13	277-42301-40	GOVERNOR LEVER AY	-	1		
20	277-42201-33	GOVERNOR SHAFT	-	1		
30	277-42701-11	GOVERNOR ROD CP	-	1		277-42701-23
40	277-42801-23	ROD SPRING	-	1	7DX0. 5DX182L N=16	
50	003-13050-00	CLIP	-	1	5DX11DX0. 6T	
60	001-14062-50	BOLT AND WASHER AY	-	1	M6X1. 0X25L W/W, SW	
70	018-60600-20	NUT	-	1	M6X1. 0X4. 9H SQUARE	
80	277-42510-13	GOVERNOR SPRING	-	1	7. 5DX0. 7DX115L N=16	277-42510-23
310	277-43303-03	SPEED CONTROL LEVER	-	1		
340	277-43502-03	STOP PLATE	-	1		
350	277-44501-03	WASHER	-	1		
355	021-70600-70	FRICTION WASHER	-	1	6. 5DX24DX0. 8T NYLON	
360	004-31062-50	SCREW,PANHEAD	-	1	M6X1. 0X25L	
365	237-45004-23	SPRING (ADJUST)	-	1	6. 9DX0. 9DX20L N=7	
435	277-46002-01	SPEED CONT.BRKT CP	-	1		
450	002-35060-00	SELF LOCK NUT	-	1	M6X1. 0X6. 8H	
485	011-00600-20	FLANGE BOLT	-	2	M6X1. 0X14DX12L	

5 COOLING STARTING



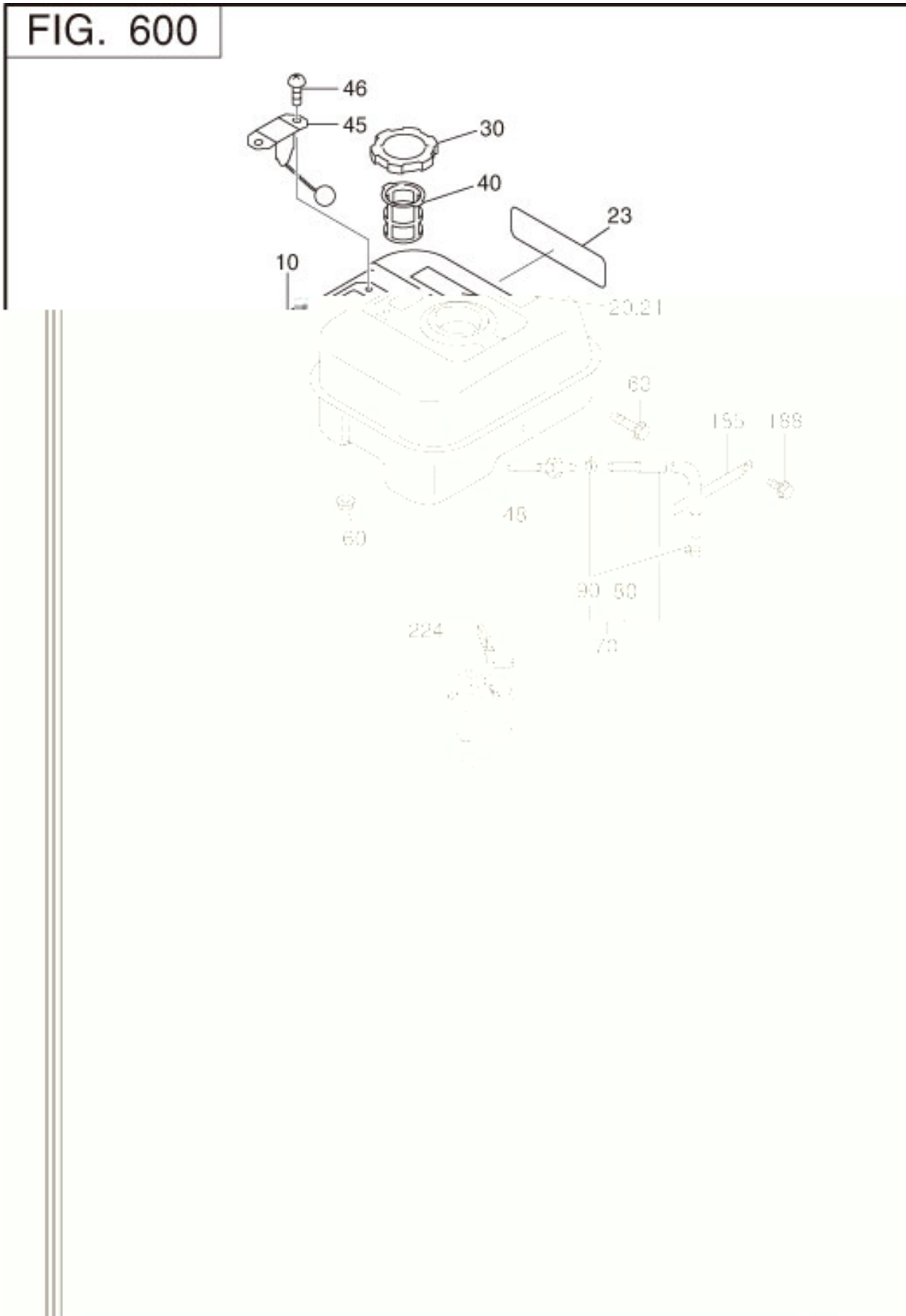
REF.	PART NUMBER	PART NAME	CODE NO.	QTY	REMARKS	INTERCHANGE
10	277-51201-11	BLOWER HOUSING CP	-	1	ROBIN YELLOW	
20	073-20057-30	LABEL(TRADE MARK)	-	1		
40	011-00600-30	FLANGE BOLT	-	4	M6X1. 0X14DX14L	
60	277-52711-21	BAFFLE 1(CASE) CP	-	1		20A-52711-01
61	277-52702-03	BAFFLE 2(HEAD)	-	1		
80	001-04061-60	FLANGE BOLT	-	1	M6X1. 0X13DX16L	
81	011-00600-20	FLANGE BOLT	-	1	M6X1. 0X14DX12L	
110	20A-54101-13	COOLING BLOWER	-	1		
220	011-00600-30	FLANGE BOLT	-	4	M6X1. 0X14DX14L	

FIG. 522



REF.	PART NUMBER	PART NAME	CODE NO.	QTY	REMARKS	INTERCHANGE
210	20A-50201-30	RECOIL STARTER AY	-	1		

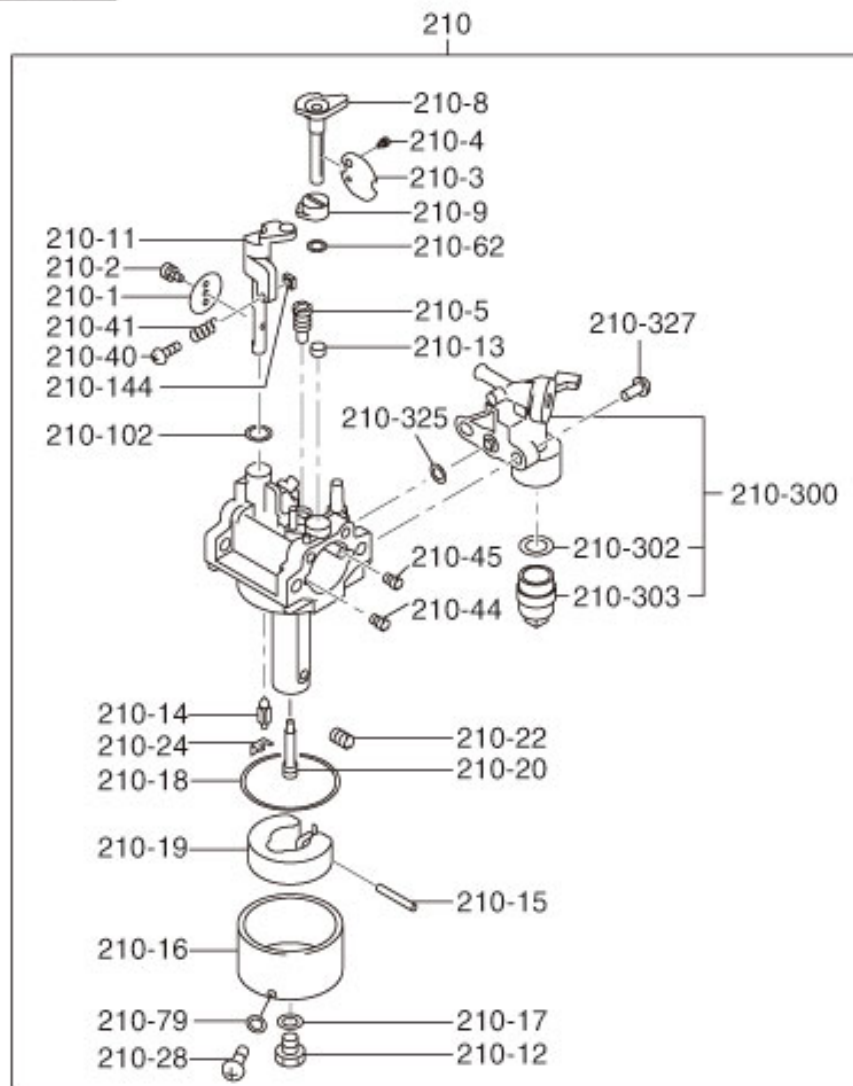
6 FUEL LUBRICANT



REF.	PART NUMBER	PART NAME	CODE NO.	QTY	REMARKS	INTERCHANGE
10	277-60101-21	FUEL TANK CP	-	1		
20	073-20057-60	LABEL(WARNING)	-	1		X73-20057-60
23	277-95112-03	LABEL(EX17)	-	1		20A-09709-00
30	043-04400-50	FUEL TANK CAP CP	-	1	43DX68DX14H BLACK	
40	X64-13600-10	FUEL FILTER	-	1		
48	X50-51200-20	UNION	-	1		
60	002-38060-00	FLANGE NUT	-	2	M6X1. 0X13DX6H	
63	011-00601-30	FLANGE BOLT	-	1	M6X1. 0X14DX25L	
70	277-62601-11	FUEL PIPE CP	-	1		277-62601-21
80	X85-10613-51	RUBBER PIPE	-	1	6. 4DX12. 7DX150L	X85-10613-52
90	X56-11100-60	HOSE CLAMP	-	2	11. 5DX8BX0. 7T	
224	277-43801-01	CHOKE LEVER CP	-	1		

6 FUEL LUBRICANT

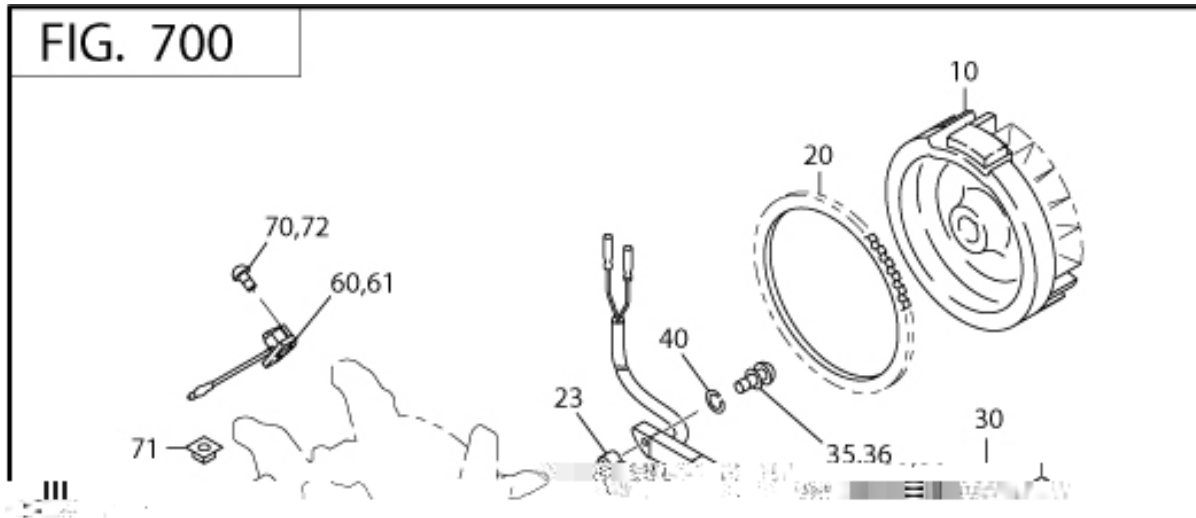
FIG. 640



REF.	PART NUMBER	PART NAME	CODE NO.	QTY	REMARKS	INTERCHANGE
210	277-62302-30	CARBURETOR AY	-	1		277-62302-40
- 1	277-62535-08	THROTTLE VALVE	-	1	#160	
- 2	209-62351-08	SCREW	-	1		
- 3	277-62525-08	CHOKE VALVE	-	1		
- 5	246-62420-08	PILOT JET	-	1	#40	
- 8	277-62520-08	CHOKE LEVER	-	1		
- 11	277-62531-18	THROTTLE SHAFT-A	-	1		
- 12	227-62451-08	BOLT	-	1		
- 14	277-62500-08	NEEDLE	-	1		
- 15	277-62515-08	PIN	-	1		
- 16	277-62506-08	FLOAT BODY AY	-	1		
- 17	214-62450-08	PACKING	-	1		
- 18	214-62540-08	CHAMBER PACKING	-	1		
- 19	226-62506-08	FLOAT	-	1		
- 20	277-62440-08	MAIN NOZZLE	-	1		
- 22	226-62412-08	MAIN JET	-	1	#80	
- 24	226-62701-18	CLIP	-	1		
- 28	277-62360-08	BOLT	-	1		
- 40	106-62556-08	SCREW	-	1		
- 41	283-62357-08	SPRING	-	1		
- 44	248-62410-08	AIR JET	-	1		
- 45	106-62410-08	AIR JET(PILOT)	-	1		
- 62	236-62680-08	SEAL	-	1		
- 79	236-62541-08	PACKING	-	1		
-102	246-62390-08	SEAL	-	1		
-144	277-62553-08	NUT	-	1		
-300	279-62103-20	FUEL STRAINER AY	-	1		
-302	277-62110-18	PACKING	-	1		
-303	277-62100-18	CUP	-	1		
-325	277-62552-08	O-RING	-	1		

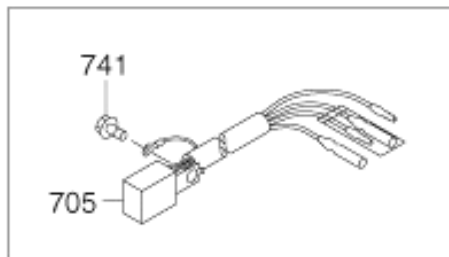
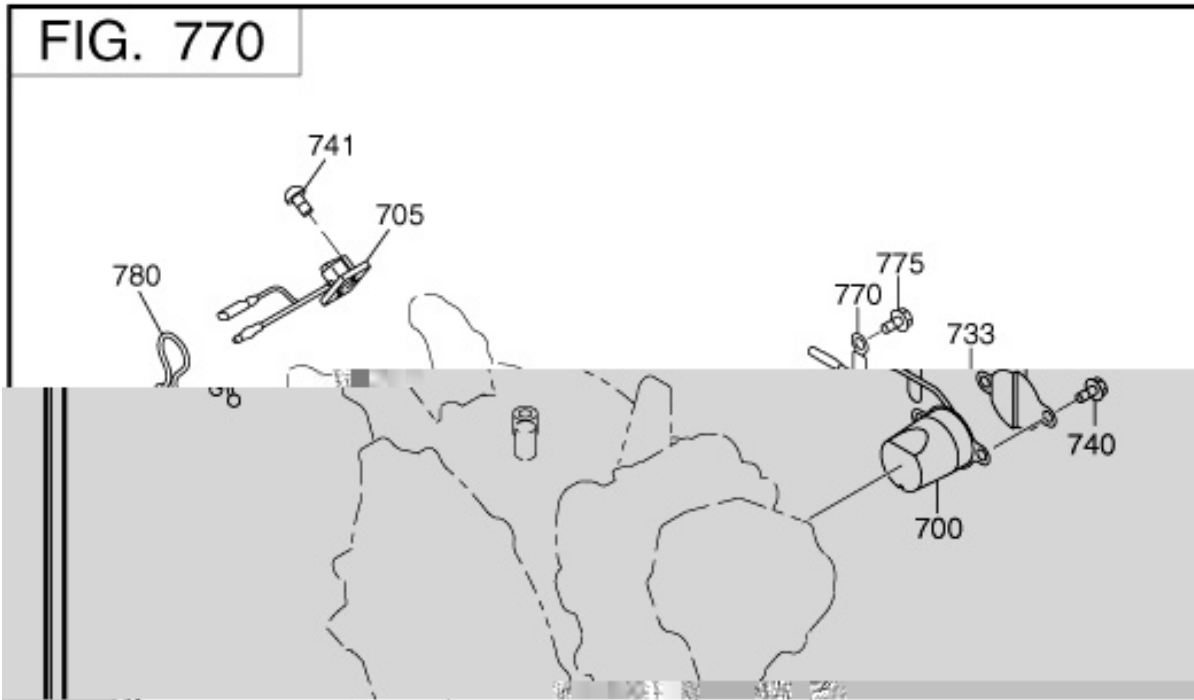
REF.	PART NUMBER	PART NAME	CODE NO.	QTY	REMARKS	INTERCHANGE
-327	165-62377-08	SCREW	-	2		

7 ELECTRIC DEVICE



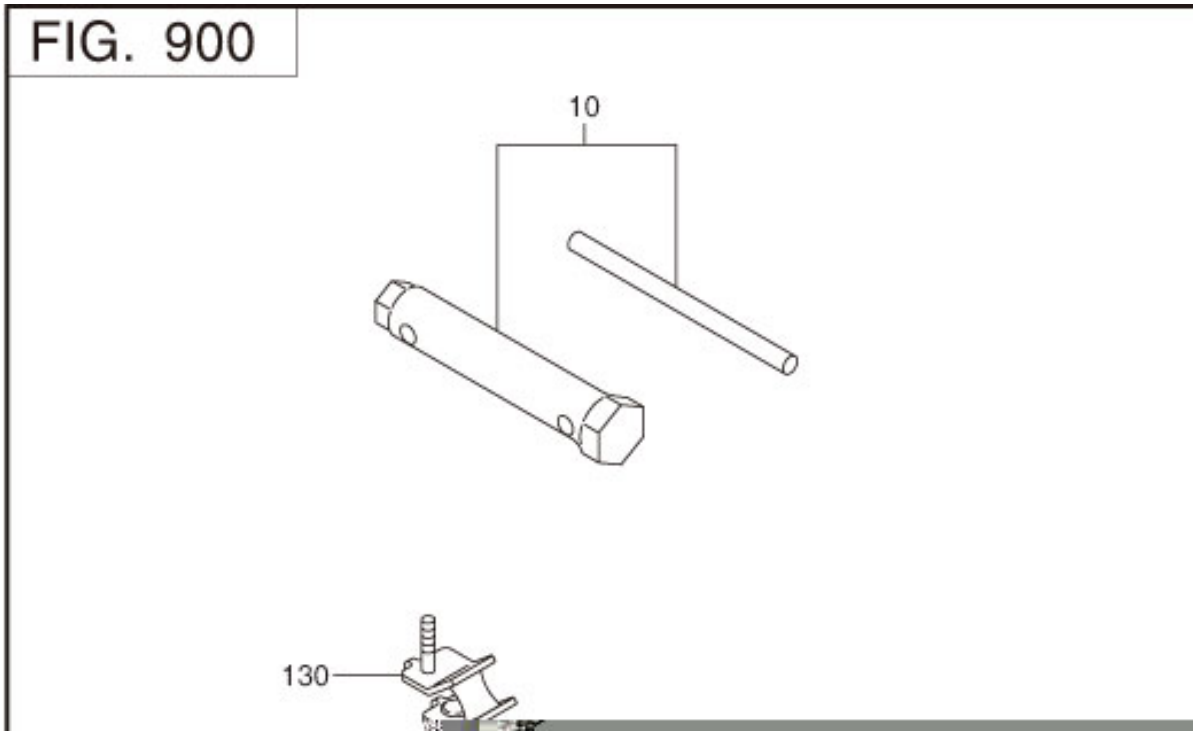
REF.	PART NUMBER	PART NAME	CODE NO.	QTY	REMARKS	INTERCHANGE
10	20A-79231-01	FLYWHEEL CP	-	1		
11	20A-79431-01	IGNITION COIL CP	-	1		
30	001-14062-50	BOLT AND WASHER AY	-	2	M6X1.0X25L W/W, SW	
50	277-73101-H1	WIRE 1 CP	-	1	L=360 BLACK	
100	065-01401-50	SPARK PLUG	-	1	NGK BR6HS	
110	065-50001-10	SPARK PLUG CAP	-	1		

8 ELECTRIC DEVICE



REF.	PART NUMBER	PART NAME	CODE NO.	QTY	REMARKS	INTERCHANGE
700	277-76301-21	OIL SENSOR CP	-	1		
705	KU3-11071-01	FLOAT C/U CP5	-	1		
740	001-14061-60	BOLT AND WASHER AY	-	2	M6X1.0X16L W/W, SW	
741	015-00400-90	TAPPING SCREW	-	2	M4X12L	
780	056-90000-20	PURSE LOCK	-	1		

9 ACCESSORIES LABEL



REF.	PART NUMBER	PART NAME	CODE NO.	QTY	REMARKS	INTERCHANGE
10	277-90301-H0	ACCESSORY TOOL KIT	-	1		277-90301-J0