

GENERAL PURPOSE ENGINE

GX390T1

PARTS CATALOGUE

2



(PX TYPE)

GX390T1



(QBH TYPE)

FOREWORD INDEX

1

ENGINE GROUP

2

PART NUMBER INDEX

3

PART NAME INDEX

4

Instruction for use of parts catalogue

- **This parts catalogue was prepared based on the latest information available as of November 20, 2008.**
- See the parts catalogue news for any revision that is made after November 20, 2008.
- **Always specify the part number when ordering a part.**
- Check the model, type, serial numbers, color, maker, and the size as needed before ordering a part.
- Note that the illustrations (part drawings) can differ from the actual parts in shape. They are given just to help you to refer to the parts.
- **When modifications or additions to this parts catalogue are made, a revised edition will be issued at an appropriate time, with successively progressing revision numbers on the cover. We recommend obtaining such revisions in order to keep your parts catalogue up-to-date at all times. To check whether a parts catalogue revision has been issued, please contact your Honda distributor.**

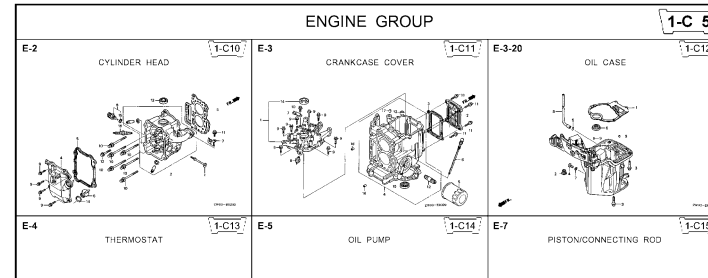
Initial version issue date **November 10, 2003**
Honda Motor Co., Ltd.

CONTENTS

	Page	Address No.	
● Instruction for use of parts catalogue	1	B 1	1
● How to refer to the part information	2	B 2	
● Part catalogue structure	3	B 3	
● When the parts were revised	4	B 4	
● Abbreviations used in the parts catalogue	4	B 4	
● How to check the part block and serial numbers	5	B 5	
● Models, parts catalogue codes and applicable serial numbers	6	B 6	
● Features of each type	9	B 9	
● Fuel hose, general purpose hoses and vinyl hose	15	B15	
● FLAT RATE SERVICE TIME	16	B16	
● Illustrated index	21	C 5	
● ENGINE GROUP	25	D 1	2
● PART NO. INDEX	75	H 1	3
● PART NAME INDEX	78	I 1	4

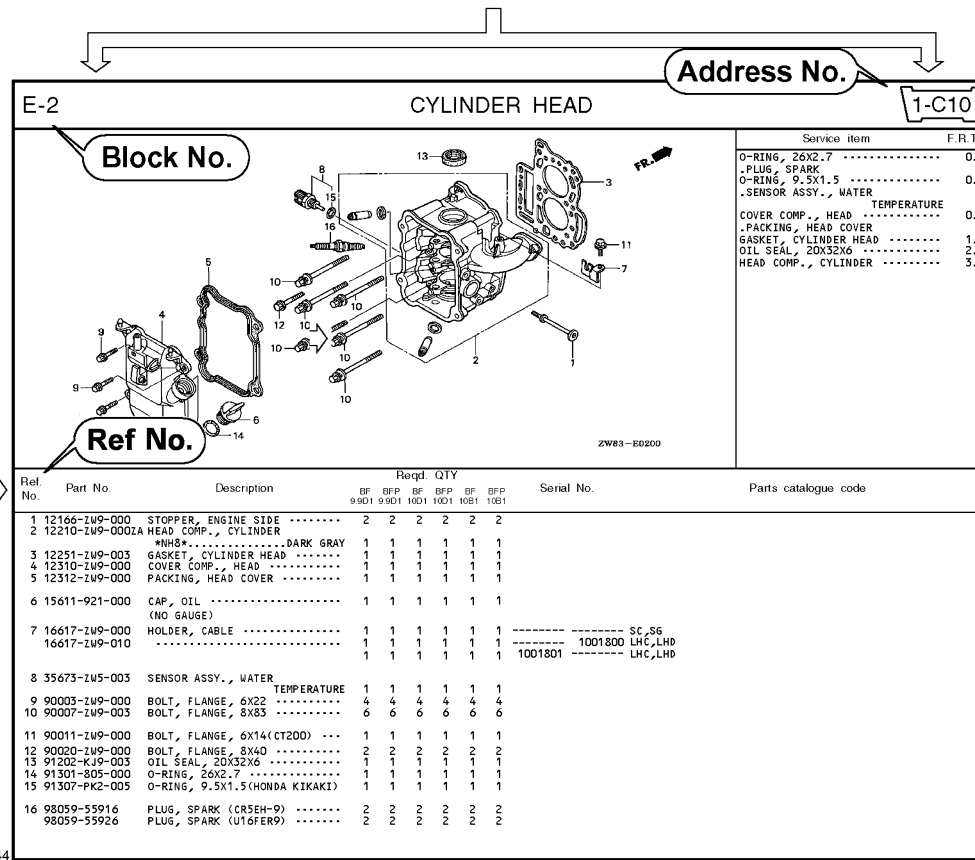
How to refer to the part information

A Reference with "Illustrated index"



B Reference with "Part number index"

PART NO. INDEX					
Part Number	Address	Page	Ref.	Part Number	Address Page
06000				15212-ZW9-000	1-C14 3C
06316-ZW9-000	1-G9	88	1	15220-ZW9-003	1-C14 3C
11000				15332-ZW9-000	1-E8 55
11300-ZW9-405	1-C11	27	1	15332-ZW9-A30	1-E11 5E
11300-ZW9-406	1-C11	27	1	15400-PF8-004	1-C11 27
11340-ZW9-000	1-C11	27	2	15422-ZW9-000	1-C14 3C
11342-ZW9-000	1-C11	27	3	15473-881-000	1-C14 3C
11381-ZW9-003	1-C12	28	1	15474-ZW9-000	1-C14 3C
				15611-921-000	1-C10 2E
				15655-ZW9-000	1-C11 27
				16000	
12000				16010-ZV4-005	1-D4 3E
12000-ZW9-405ZA	1-C11	27	4	16011-ZV4-005	1-D4 3E
12155-ZV4-A00	1-C13	29	1	16013-ZW9-003	1-D4 3E
12166-ZW9-000	1-C10	26	1	16016-ZW9-003	1-D4 3E
12209-GB4-681	1-C16	32	1	16016-ZW9-721	1-D4 3E
12210-ZW9-405ZA	1-C10	26	2	16023-ZW9-003	1-D4 3E
12216-ZE2-300	1-E8	55	1	16024-ZV4-650	1-D4 3E
	1-E11	58	1	16028-ZV4-650	1-D4 3E



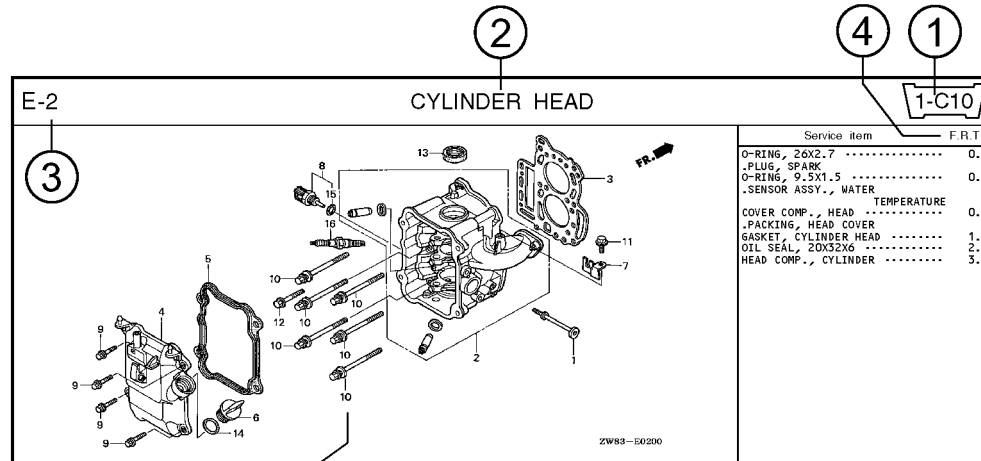
C Reference with "Part name index"

PART NAME INDEX					
Part name	Address	Page	Ref.		
[A]					
ABSORBER, FUEL	1-E15	62	5	BOLT,	
ARMATURE COMP.	1-D11	43	7	BOLT,	
ARM COMP., LINK JOINT	1-G6	85	18	BOLT,	
ARM COMP., SHIFT LINK	1-G6	85	14	BOLT,	
ARM COMP., TILT	1-F15	79	20		
ARM, FUEL PUMP ROCKER	1-C16	32	4		
ARM, REVERSE LOCK	1-F15	79	18		
ARM, SHIFT LINK	1-F11	74	7		
ARM, STOPPER	1-D1	33	12	BOLT,	
ARM, THROTTLE REMOTE	1-F11	74	6		
ARM, VALVE ROCKER	1-C16	32	3		
[B]					
BAG, TOOL, 160MM	1-G5	84	10		
BAND	1-G6	86	37		
BAND B1, WIRE	1-F6	69	1		
BAND, CORD	1-F3	67	18	BOLT,	
BAND, TUBE CLIP, 11MM	1-E15	63	20		
BAND, TUBE CLIP, 12.5MM	1-E15	63	19	BOLT,	

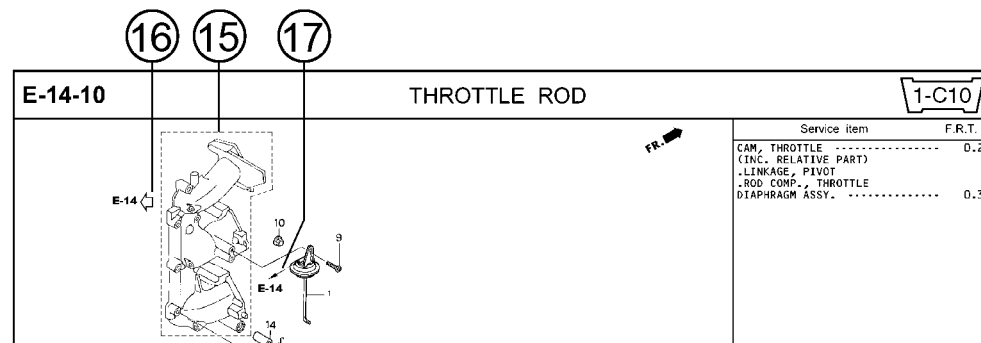
Page No.

2008.09.20 E

Part catalogue structure



Ref. No.	Part No.	Description	Reqd. QTY						Serial No.	Parts catalogue code
			BF 9/9D1	BFP 9/9D1	BF 10D1	BFP 10D1	BF 10B1	BFP 10B1		
1	12166-ZW9-000	STOPPER, ENGINE SIDE	2	2	2	2	2	2		
2	12210-ZW9-000ZA	HEAD COMP., CYLINDER *NHS* DARK GRAY	1	1	1	1	1	1		
3	12251-ZW9-003	GASKET, CYLINDER HEAD	1	1	1	1	1	1		
4	12310-ZW9-000	COVER COMP., HEAD	1	1	1	1	1	1		
5	12312-ZW9-000	PACKING, HEAD COVER	1	1	1	1	1	1		
6	15611-921-000	CAP, OIL (NO GAUGE)	1	1	1	1	1	1		
7	16617-ZW9-000	HOLDER, CABLE	1	1	1	1	1	1	SC,SG	
	16617-ZW9-010		1	1	1	1	1	1	1001800 LHC,LHD	



- ① **Address number**
 - Address No. is provided (in place of the page No.) to help you refer to the part with the part No. or part name.
- ② **Block title** ③ **Block number**
- ④ **Service item/Flat rate time**
- ⑤ **Reference number**
 - Title number marked with the parenthesis or parentheses indicates that it continues from the previous page.
- ⑥ **Part number** ⑦ **Honda color code**
- ⑧ **Description**
- ⑨ **Assemblies**
 - Sections framed with broken lines in the exploded view drawings are available as complete assemblies. (Their individual parts can also be obtained.)
- ⑩ **Color description**
- ⑪ **Note**
 - Notes are shown with the parentheses in the part name column.
- ⑫ **Required quantity**
 - Required QTY shown in the parenthesis or parentheses indicates the optional part.
 - Required QTY marked with "N" Indicates the optional part that should be selected as needed.
 - Required QTY indicates the number of the part used in the block.
- ⑬ **Serial number**
- ⑭ **Type**
 - When the type column is blank, it indicates that the part is applicable to all types.
 - As the type of the actual unit may differ from the "parts catalogue, type" please refer to "Models, types and applicable serial numbers" for confirmation.
- ⑮
 - Parts enclosed within a dotted line are covered in a different block.
- ⑯
 - A hollow arrow indicates the block No. for the parts enclosed within a dotted line .
- ⑰
 - A solid arrow indicates the block No. the part in question is connected to.

When the parts were revised

Abbreviations used in the parts catalogue

1



Be sure to check the serial number!!



Ref. No.	Part No.	Description	Reqd. QTY						Serial No.
			BF 99D1	BFP 9.9D1	BF 10D1	BFP 10D1	BF 10B1	BFP 10B1	
1	12166-ZW9-000	STOPPER, ENGINE SIDE	2	2	2	2	2	2	
2	12210-ZW9-000ZA	HEAD COMP., CYLINDER *NHS*	1	1	1	1	1	1	
3	12251-ZW9-003	GASKET, CYLINDER HEAD	1	1	1	1	1	1	
4	12310-ZW9-000	COVER COMP., HEAD	1	1	1	1	1	1	
5	12312-ZW9-000	PACKING, HEAD COVER	1	1	1	1	1	1	
6	15611-921-000	CAP, OIL (NO GAUGE)	1	1	1	1	1	1	
7	16617-ZW9-000	HOLDER, CABLE (###)	1	1	1	1	1	1	SC, SG LHC, LHD LHC, LHD
	16617-ZW9-010	1	1	1	1	1	1	

The number has been used from the initial model without revision.

When shown at the left side, it is applicable to the models of No.1001801 and the subsequent numbers.

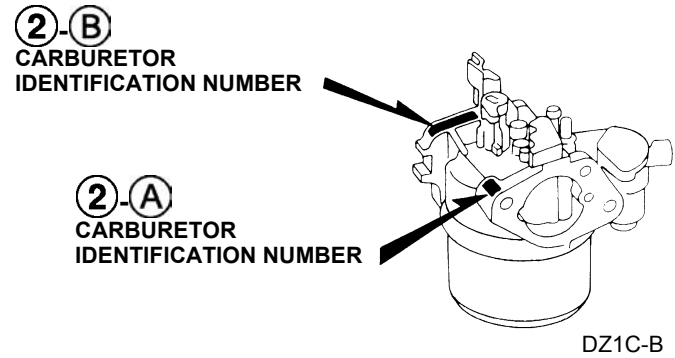
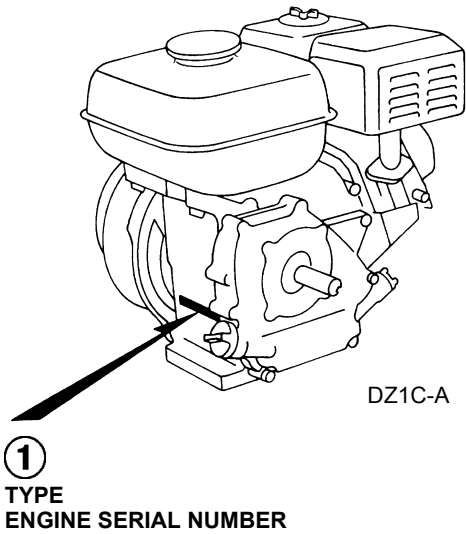
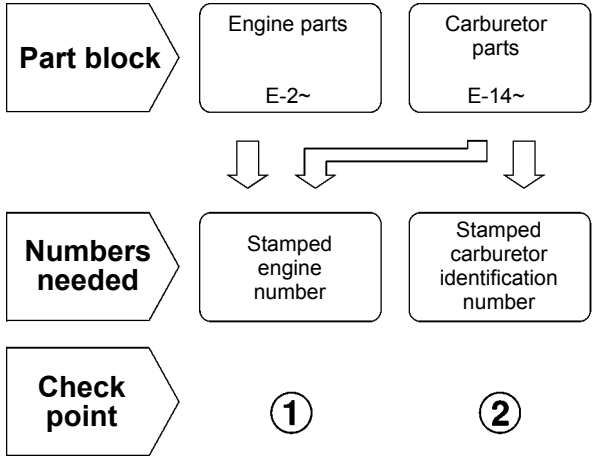
When shown at the right side, it is applicable to the models up to No.1001800.

• The parts listed with "###" at the end of the parts name have limited supply period (parts not for sale).

• The following abbreviations are used in the parts name column.

- | | |
|--|-----------------------------|
| A Ampere | FR.Front |
| A.C. Alternating current | IN.Inlet |
| ASSY. Assembly | L (100L) .Link (100 Links) |
| AT. Automatic transmission | L.Left |
| C.D.I. Capacitive discharge ignition | MMMillimeter |
| COMP. ... Complete | MT.Manual Transmission |
| D.C. Direct current | P.T.O.Power take off |
| EX. Exhaust | R.Right |
| G.F.C.I ... Ground fault circuit interruptor | RR.Rear |
| HEX. Hexagonal | STD.Standard |
| H.S.T. Hydrostatic transmission | T (22T) ...Tooth (22 Teeth) |
| | VVolt |
| | WWatt |

How to check the part block and serial numbers



Models, parts catalogue codes and applicable serial numbers

- Models, parts catalogue codes and applicable serial Nos. given in this parts catalogue can be identified as follows.

Model	Type	Parts catalogue type	Applicable engine serialNo.	Applicable carburetor identification No.	Model	Type	Parts catalogue type	Applicable engine serialNo.	Applicable carburetor identification No.
GX390T1	LBHB	LBHB	GCBBT-1000001~	BE85W A	GX390T1	PXU	PXU	GCAET-1000001~ 9999999	BE85K A
	LH	LH	GCAET-1000001~	BE85K A		QAA2	QAA2		BE85Q A
	LHB5	LHB5				QAA6	QAA6		
	LHP1	LHP1				QA2	QA2		
	LH2	LH2				QA26	QA26		
	LP	LP				QBH	QBH	GCBBT-1000001~	
	LT	LT		QBHS		QBHS			
	LXE8	LXE8	GCAET-1000001~ 9999999	BE85K A		QBLS	QBLS	GCAET-1000001~	BE85Y A
	LXE9	LXE9	GCAET-1000001~			QBS	QBS		
	LXU	LXU	GCAET-1000001~ 9999999			QH	QH		BE85K A
	PX	PX	GCAET-1000001~			QHB3	QHB3		
PXE8	PXE8	GCAET-1000001~ 9999999	QHB5		QHB5				

Model	Type	Parts catalogue type	Applicable engine serialNo.	Applicable carburetor identification No.	Model	Type	Parts catalogue type	Applicable engine serialNo.	Applicable carburetor identification No.
GX390T1	QHP1	QHP1	GCAET-1000001~	BE85K A	GX390T1	QXU	QXU	GCAET-1000001~ 9999999	BE85K A
	QMH	QMH		SH		SH			
	QN	QN		SHE		SHE			
	QP	QP		SN		SN	BE86N A		
	QT	QT	SWE	SWE		BE85N A			
	QTD	QTD	SWE2	SWE2					
	QX	QX	SWX	SWX					
	QXE	QXE	SWX2	SWX2					
	QXEK	QXEK	GCAET-1000001~ 9999999	BE85K A		SX	SX	BE85K A	
	QXE8	QXE8				SXC	SXC		
	QXK	QXK	GCAET-1000001~	SXE		SXE			
	QXQ4	QXQ4	GCAET-1000001~ 9999999	BE85Q A		SXE8	SXE8	GCAET-1000001~ 9999999	

Model	Type	Parts catalogue type	Applicable engine serialNo.	Applicable carburetor identification No.
GX390T1	SXQ4	SXQ4	GCAET-1000001~ 9999999	BE85Q A
	VSP	VSP	GCAET-1000001~	BE85L A
	VTE5	VTE5		BE85N A
	VX	VX		BE85M A
	VXE	VXE		
	VXE8	VXE8	GCAET-1000001~ 9999999	
	VXK	VXK	GCAET-1000001~	
	VXU1	VXU1		
	VX8	VX8	GCAET-1000001~ 9999999	

* Of carburetor identification numbers, only the portions underlined in the example below are used for registration.

BE 85W A KC ナ
 (A) (B)

Features of each type

• See the following table for the features of each type. (Items in brackets are optional)

Specifications		Model	GX390T1									
		Type	LBHB	LH	LHB5	LHP1	LH2	LP	LT	LXE8	LXE9	LXU
Crankshaft	30mmØ Spline		●	●	●	●	●	●	●	●	●	●
	25.4mmØ Spline											
	25.4mmØ Straight											
	25mmØ Straight											
	5/16" Tapered											
Air cleaner	Silent		●	●	●	●			●	●	●	
	Oil bath							●				
	Boat	●										
Muffler		●	●	●	●	●		●	●	●	●	
Muffler cover												
Spark arrester										(●)	(●)	
Fuel tank		●	●	●	●	●	●	●	●	●	●	
Oil alert									●	●	●	
Starter motor									●	●		
Control box									●	●		
Reduction		●	●	●	●	●	●	●	●	●	●	

Specifications		Model	GX390T1									
		Type	PX	PXE8	PXU	QAA2	QAA6	QA2	QA26	QBH	QBHS	QBLS
Crankshaft	30mmØ Spline											
	25.4mmØ Spline	●	●	●								
	25.4mmØ Straight				●	●	●	●	●	●	●	
	25mmØ Straight											
	5/16" Tapered											
Air cleaner	Silent	●	●	●	●	●	●	●				
	Oil bath											
	Boat								●	●	●	
Muffler		●	●	●	●	●	●	●	●	●	●	●
Muffler cover												
Spark arrester							●	●				
Fuel tank		●	●	●	●	●	●	●	●	●	●	●
Oil alert		●	●	●	●	●	●	●				●
Starter motor			●									
Control box			●									
Reduction												

Specifications		Model	GX390T1									
		Type	QBS	QH	QHB3	QHB5	QHP1	QMH	QN	QP	QT	QTD
Crankshaft	30mmØ Spline											
	25.4mmØ Spline											
	25.4mmØ Straight	●	●	●	●	●	●	●	●	●	●	
	25mmØ Straight											
	5/16" Tapered											
Air cleaner	Silent		●	●	●	●	●	●				
	Oil bath								●	●	●	
	Boat	●										
Muffler		●	●	●	●	●	●	●	●	●		
Muffler cover												
Spark arrester												
Fuel tank		●	●	●	●	●	●	●	●	●	●	
Oil alert		●										
Starter motor												
Control box												
Reduction												

Specifications		Model	GX390T1									
		Type	QX	QXE	QXEK	QXE8	QXK	QXQ4	QXU	SH	SHE	SN
Crankshaft	30mmØ Spline											
	25.4mmØ Spline											
	25.4mmØ Straight	●	●	●	●	●	●	●				
	25mmØ Straight								●	●	●	
	5/16" Tapered											
Air cleaner	Silent	●	●	●	●	●	●	●	●	●	●	●
	Oil bath											
	Boat											
Muffler		●	●	●	●	●	●	●	●	●	●	●
Muffler cover							(●)					
Spark arrester												
Fuel tank		●	●	●	●	●	●	●	●	●	●	●
Oil alert		●	●	●	●	●	●	●				
Starter motor			●	●	●					●		
Control box			●	●	●					●		
Reduction												

Specifications		Model	GX390T1									
		Type	SWE	SWE2	SWX	SWX2	SX	SXC	SXE	SXE8	SXQ4	VSP
Crankshaft	30mmØ Spline											
	25.4mmØ Spline											
	25.4mmØ Straight											
	25mmØ Straight	●	●	●	●	●	●	●	●	●		
	5/16" Tapered											●
Air cleaner	Silent					●	●	●	●	●	●	●
	Oil bath	●	●	●	●							
	Boat											
Muffler		●	●	●	●	●	●	●	●	●	●	●
Muffler cover											(●)	
Spark arrester												
Fuel tank		●	●	●	●	●	●	●	●	●	●	●
Oil alert				●	●	●	●	●	●	●	●	●
Starter motor		●	●					●	●			
Control box		●	●					●	●			
Reduction												

Specifications		Model	GX390T1					
		Type	VTE5	VX	VXE	VXE8	VXK	VXU1
Crankshaft	30mmØ Spline							
	25.4mmØ Spline							
	25.4mmØ Straight							
	25mmØ Straight							
	5/16" Tapered	●	●	●	●	●	●	●
Air cleaner	Silent	●	●	●	●	●	●	●
	Oil bath							
	Boat							
Muffler		●	●	●	●	●	●	●
Muffler cover								
Spark arrester								
Fuel tank			●	●	●	●	●	●
Oil alert		●	●	●	●	●	●	●
Starter motor		●		●	●	●	●	
Control box		●		●	●	●	●	
Reduction								

Fuel hose, general purpose hoses and vinyl hose

- The standard part fuel hose, general purpose hose and vinyl hose may be substituted by the coiled bulk part.
- When ordering the standard part fuel hose, general purpose hose and vinyl hose use the bulk part number written in the parts catalog in brackets () underneath the part name.
- When exchanging the hose, cut and use at the specified length as mentioned in the part name.
(For the method of cutting the bulk part, and method of filling out orders etc., please refer to the instructions issued with the bulk part.)

Bulk part number of fuel hose, general purpose hose and vinyl hose.

Example: 9 5 0 0 1 - 7 5 0 0 1 - 5 0 M

Bulk part number:
Refers to the bulk part.

Marking code (fuel hose and general purpose hose)

Change code (Vinyl hose)

Indicates number mark or change sequence, however, the code for the bulk part must be strictly 0 (zero).

Types of code:

- | | | | | | |
|-------------|--|----------------|--|--------------|---|
| • Fuel hose | 2: Red outside braid
(3 mm inside dia. only) | • General hose | 1: Ash gray
2: Ash gray
3: Black
5: Black | • Vinyl hose | 1: Clear
2: Black
3: Light red
6: Light red
7: Pale black |
| | 5: Black inside braid | | | | |
| | 3: Red (3 mm inside dia. only) | | | | |
| | 4: Ash gray with red stripe
(3 mm inside dia. only) | | | | |
| | 6: Black | | | | |

Lengths:

- | | |
|---------------------|--|
| 001: 1 m (standard) | } Application or specification of some parts is not settled. |
| 003: 3 m | |
| 008: 8 m | |

I.D code: (fuel hose and general purpose hose)

- | | | | | |
|------------|--------------------|--------------------|-----------------------------|-----------------------------|
| 30: 3.0 mm | 50: 5.0 mm | 70: 7.0 mm | 11: 11 mm | 12: 12 (outside dia. 17) mm |
| 35: 3.5 mm | 55: 5.3 mm, 5.5 mm | 75: 7.3 mm, 7.5 mm | 91: 12 (outside dia. 15) mm | 14: 14 mm |
| 45: 4.5 mm | 65: 6.5 mm | 80: 8.0 mm | 92: 12 (outside dia. 16) mm | 17: 17 mm |

ID./OD. code: (vinyl hose)

- | | | | | |
|-------------------------|--------------------------|---------------------------|---------------------------|---------------------------|
| 01: ID. 2.9, OD. 6.8 mm | 12: ID. 5.0, OD. 7.0 mm | 21: ID. 8.0, OD. 9.0 mm | 37: ID. 11.0, OD. 15.0 mm | 50: ID. 16.0, OD. 19.0 mm |
| 03: ID. 3.0, OD. 6.0 mm | 10: ID. 5.0, OD. 8.0 mm | 23: ID. 8.0, OD. 12.0 mm | 38: ID. 12.0, OD. 13.0 mm | 55: ID. 17.5, OD. 20.5 mm |
| 05: ID. 3.5, OD. 6.5 mm | 11: ID. 5.0, OD. 9.0 mm | 25: ID. 9.0, OD. 11.0 mm | 39: ID. 12.0, OD. 14.0 mm | 60: ID. 22.0, OD. 27.0 mm |
| 07: ID. 4.0, OD. 7.0 mm | 14: ID. 6.0, OD. 9.0 mm | 27: ID. 9.0, OD. 13.0 mm | 40: ID. 12.0, OD. 16.0 mm | |
| 08: ID. 4.5, OD. 6.5 mm | 17: ID. 7.0, OD. 9.0 mm | 33: ID. 10.0, OD. 14.0 mm | 43: ID. 13.0, OD. 15.0 mm | |
| 09: ID. 4.5, OD. 8.0 mm | 19: ID. 7.0, OD. 11.0 mm | 36: ID. 11.0, OD. 13.0 mm | 45: ID. 14.0, OD. 18.0 mm | |

Hose type:

- 1: Fuel hose
3: Vinyl hose
5: General hose

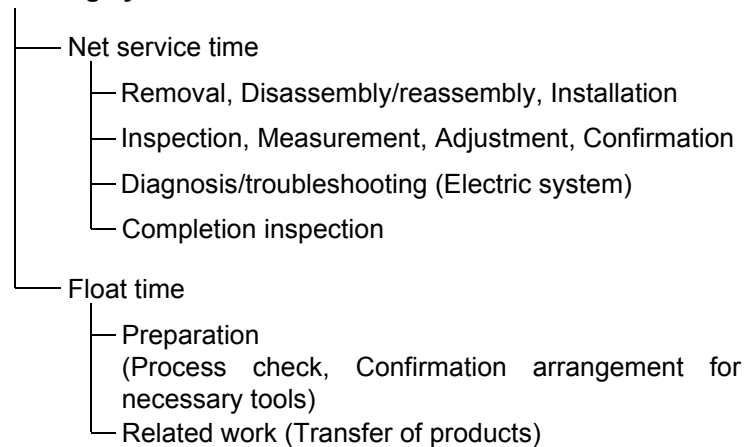
⊙ **CAUTION: It is DANGEROUS to confuse the fuel hose with the general purpose hose or vinyl hose.**

Never use a general purpose hose or vinyl hose in place of a fuel hose or vice versa. Always use the correct bulk part in the parts catalogue, according to the service manual or the instructions issued with the bulk part.

FLAT RATE SERVICE TIME

Flat rate service time (FRT) means the standard time required to service a product, which is listed in this manual to help the dealers control the actual working process and calculate the service charge by using it as a guide.

FRT setting system



* Float time is set by multiplying the net service time by a given coefficient.

Editorial style

The service items shown in the text are listed with the exchange work time for the repair sales parts as the subject. Other representative service items not using repair parts (removal/installation, adjustment, inspection/measuring, and other work) are listed collectively in the list in the preface, classified according to the work.

FRT setting standard

- Decimal system (in unit of 0.1) is adopted to set FRT as it is convenient to calculate the wage.
Example: (0.1) → 6 minutes, (0.2) → 12 minutes
[Labor cost per hour] x [FRT] = [Wage]
- FRT is set with a hand tool.
- Service items and FRT can be subject to change depending on development of tools and service equipment and improvement in service procedure.

Work procedure

- As the work procedure is set with the work time according to the method in the separate Service Manual, refer to this Manual as required.
- Work methods permitting servicing in the shortest time still permitting assurance of safe work and product warranty are used for the setting of service items not listed in the Service Manual.
- Work basically is to be performed by one person, and when two or more people are required, setting is done as the total time for the number of people.
- The set value for the technological level of the workers uses a person with three years of experience in the repair of Honda products as the standard.
- Special tools and service equipment used to set FRT are those specified or recommended in Service Manual.

Service item whose FRT is not presented

- Accessories and service parts that are not listed to use in this manual.
 - Locations with little aging deterioration or breakage during normal use.
 - Service work that can be finished by one touch.
 - Service work that is seldom done (i.e. extremely small causes of trouble and service frequency).
 - Products and parts whose location for installation differs according to its status of use and application.
- * When FRT is not presented, please calculate wages based on appropriate actual work time.

Operation not included of FRT

- Oil and coolant water draining, Waiting time for warming up operation and etc..
- Additional operation that involves removal/installation of standard exterior equipment.
- Indirect time spent for service by visiting the customer, trade-in, and delivery.
- Indirect time required for ordering and delivery of parts.
- Cost for grease, adhesive agent, etc. used for service work.

**Explanation of FRT by using an example
(The example may differ from the actual presented items)**

Ref. No.	L.O.N.	(Relative ref. Number) Description	F.R.T.
①	1111L1	④ (1, 3, 4, 7) VALVE, INTAKE4.1	②
②		• NOTE: OHV type ⑥	⑦
③	1111L1A	• Includes: Engine removal and installation One head (intake all) add1.4 ⑤	

- ① Reference No. of the illustration of part that shows location of the replacement work.
- ② FRT is an abbreviation of Flat Rate Time indicating the standard service time required for the replacement.
- ③ LON is an abbreviation of Labor Operation Number, and it is a classification of the service items by the work unit code.

The same operation code is used regardless of the models.

Standard operation is indicated with 6 digits code, and additional operation is indicated with 7 digits code.

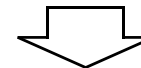
- ④ Indicating the intake valve replacement and FRT4.1.
- ⑤ Indicating FRT1.4 that will be added when additional operation (whole intake side of one cylinder head) is done in association with intake valve replacement.

- ⑥ Indicating work condition or application condition of the service item.
- ⑦ Indicating work contents that are included in the service item.
- ⑧ Indicating a reference No. whose operation and time are the same as FRT4.1 for the intake valve.

(The application range is limited to the service items without an LON setting within a same block.)

**How to refer to the service item by using the sample
(intake valve replacement)**

Open to the page of the block where the intake valve's spare part illustration is shown.



Look for the intake valve illustration, and refer to the service item and FRT that agree with the reference No.

Indication mark for the listing of service items that continues to the following page

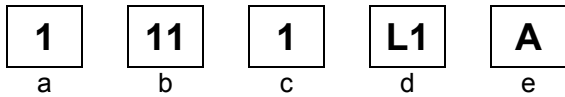
Ref. No.	L.O.N.	(Relative ref. Number) Description	F.R.T.
2	1111L1	VALVE, INTAKE	4.1
	.	.	.
	.	.	.

+
Mark indicated at the last line.

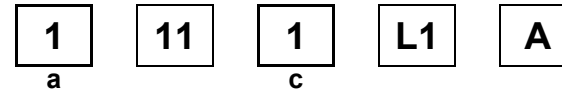
Indication of the block with no setting of FRT

Ref. No.	L.O.N.	(Relative ref. Number) Description	F.R.T.
NO INFORMATION			

• LON code system



- a) Category code..... Engine
- b) Location/function code..... Engine upper
- c) Operation code..... Replace
- d) Operation sequence number (Unit code can be shown with alphabet)
..... Intake valve
(No regular rule of code)
- e) Additional code One head (intake all)
(No regular rule of code)



a) Category codes and classification

Code	Category
1	Engine
2	Power drive
3	Fuel & Exhaust
4	Frame & Body
5	Steering
6	Electrical
7	Axle & Brake
8	Control system
9	-
0	Attachments

c) Operation codes and classification

Code	Operation category
1	Replace, Removal/Installation, Change
2	Overhaul
3	Adjust, Rotation
4	(Paint-related work: Top-coat)
5	Test, Inspect/diagnose, Measurement
6	(Overhaul-related work: Rebore)
7	(Overhaul-related work: Reseal)
8	(Resurface)
9	(Paint-related work: Refinish)
0	Repair, Cleaning, Air bleeding

Major service items without using spare parts

- (1) Removal/Installation, (2) Adjustment,
(3) Inspection/Measurement, (4) Overhaul, (5) Other work

E: Engine, T: Transmission, D: Drive system,
B: Body and related parts

(1) Removal/Installation

Set with the parts configuration in the status of being removed from the product.

	LON	DESCRIPTION	FRT
E	1111L3	CYLINDER HEAD ASSEMBLY-REMOVAL/INSTALLATION	0.5

(2) Adjustment

	LON	DESCRIPTION	FRT
E	1113A1	VALVE CLEARANCE-ADJUSTMENT NOTE: For 1 product	0.3
	1163A0	CONTROL, THROTTLE/GOVERNOR-ADJUSTMENT	0.2
	3113A2	CARBURETOR IDLE-ADJUSTMENT	0.2

(3) Inspection, Measurement, Cleaning

	LON	DESCRIPTION	FRT
E	1105A0	ENGINE OIL-INSPECTION	0.1
	3120A0	AIR CLEANER-CLEANING INCLUDES: Air cleaner-inspection	0.2
	3130A0	SPARK ARRESTER-CLEANING INCLUDES: Spark arrester-inspection	0.2
	6140A0	SPARK PLUG-ADJUSTMENT/CLEANING INCLUDES: Spark plug check NOTE: For 1 product	0.1

(4) Overhaul

Work condition: The required Measurements, inspections, adjustments, and cleaning/washing of each part are performed, including the main body removal/installation work and the replacement of defective parts.

	LON	DESCRIPTION	FRT
E	3112A0	CARBURETOR-OVERHAUL INCLUDES: All necessary adjustment	0.6

(5) Other work

	LON	DESCRIPTION	FRT
E	1101E1	ENGINE OIL-CHANGE INCLUDES: Engine oil-inspection	0.1

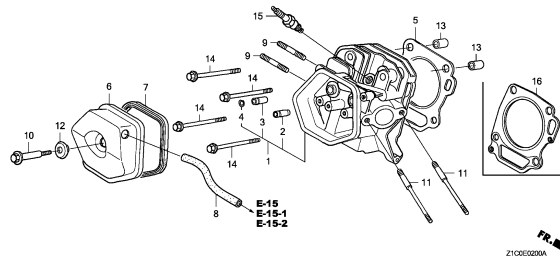
ENGINE GROUP

C 5

E-2

CYLINDER HEAD

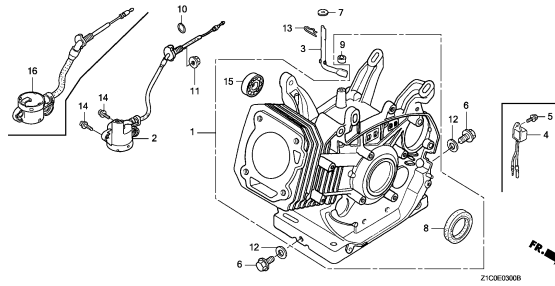
D 1



E-3

CYLINDER BARREL

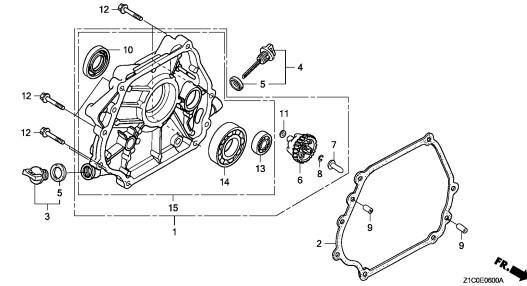
D 3



E-6

CRANKCASE COVER(1)

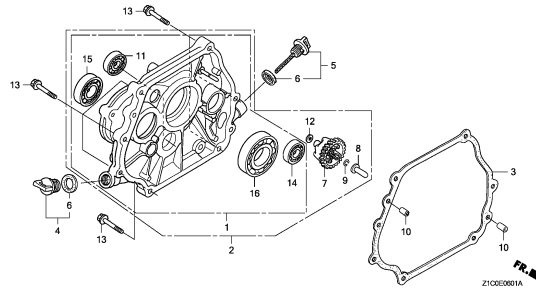
D 5



E-6-1

CRANKCASE COVER(2)

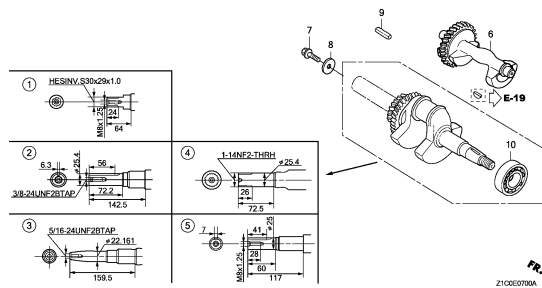
D 7



E-7

CRANKSHAFT

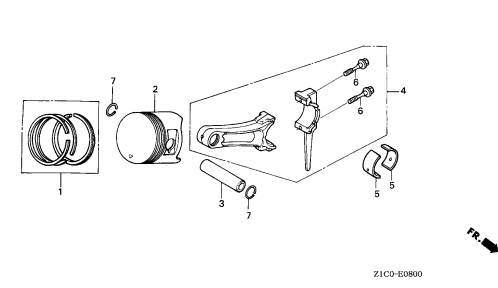
D 8



E-8

PISTON

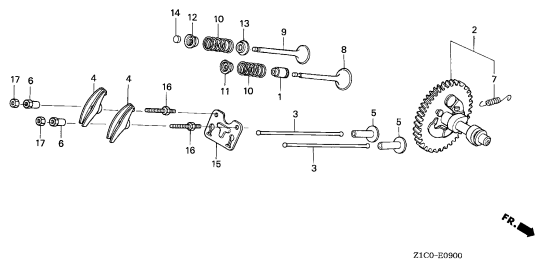
D10



E-9

CAMSHAFT

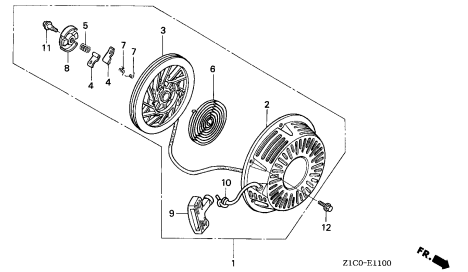
D14



E-11

RECOIL STARTER

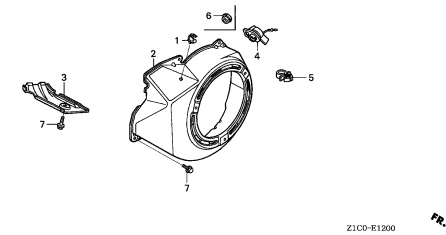
D16



E-12

FAN COVER(1)

E 1



2

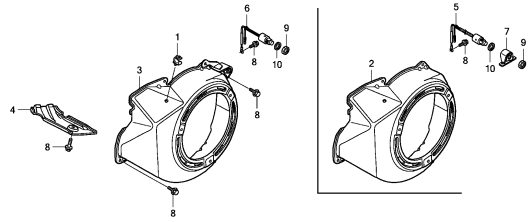
ENGINE GROUP

C 6

E-12-1

FAN COVER(2)

E 2



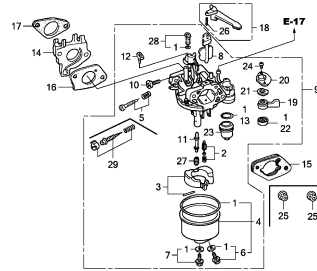
Z1COE1201



E-14

CARBURETOR(1)

E 3



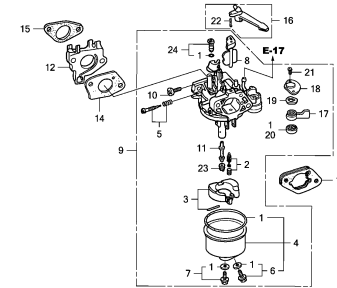
Z1COE14000



E-14-1

CARBURETOR(2)

E 7



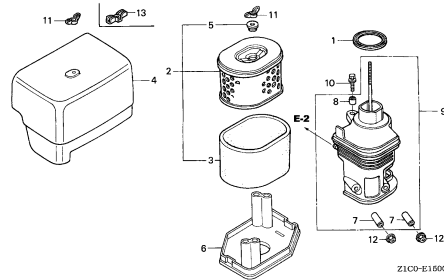
Z1COE1401A



E-15

AIR CLEANER(SILENT)

E 9



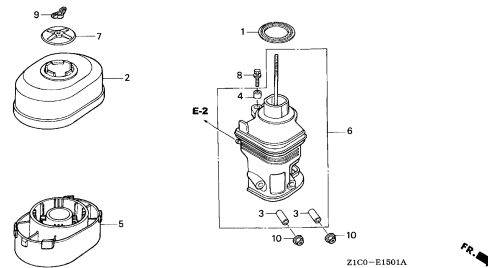
Z1CO-E1500A



E-15-1

AIR CLEANER(OIL BATH)

E11



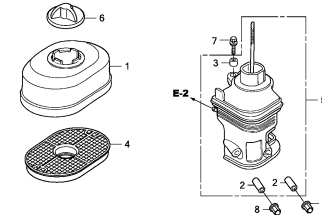
Z1CO-E1501A



E-15-2

AIR CLEANER(BOAT)

E12



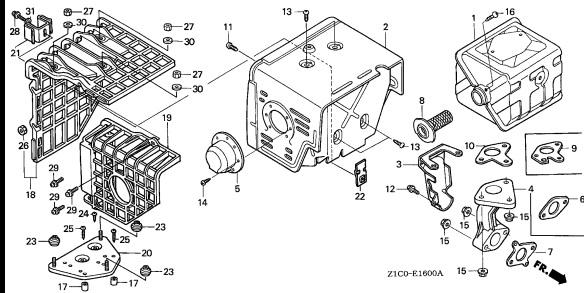
Z1COE1502



E-16

MUFFLER(1)

E13



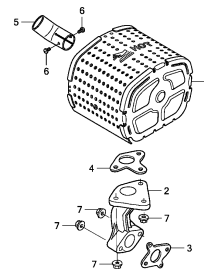
Z1CO-E1600A



E-16-1

MUFFLER(2)

E16



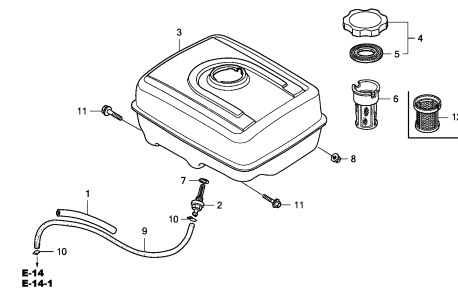
Z1COE1601



E-17

FUEL TANK

F 1



Z1COE1700A



2

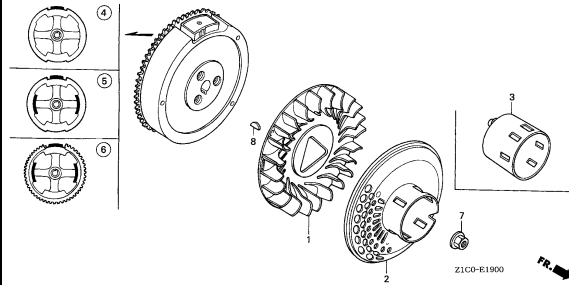
ENGINE GROUP

C 7

E-19

FLYWHEEL

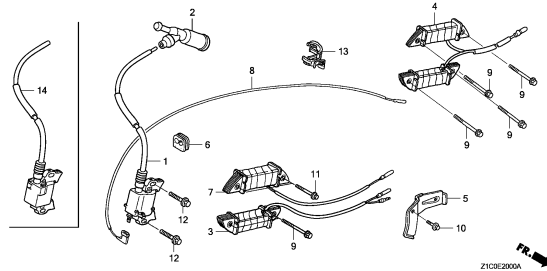
F 3



E-20

IGNITION COIL

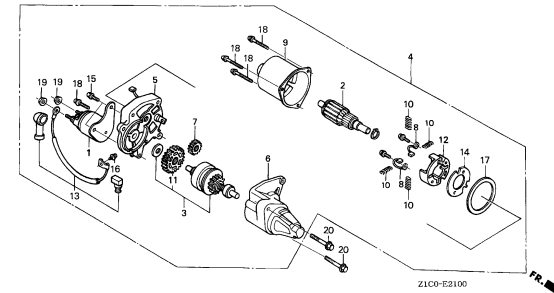
F 4



E-21

STARTER MOTOR

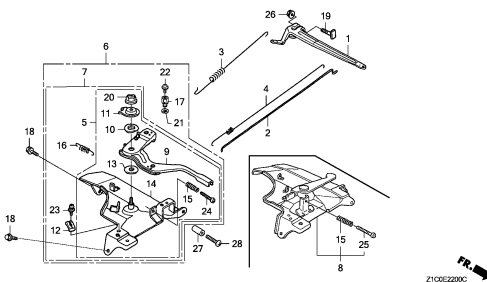
F 6



E-22

CONTROL(1)

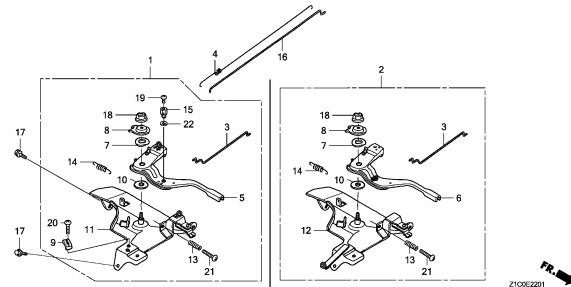
F 7



E-22-1

CONTROL(2)

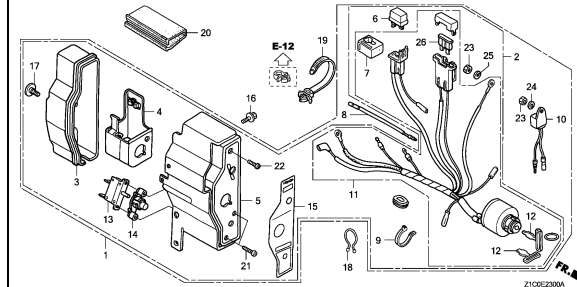
F10



E-23

CONTROL BOX

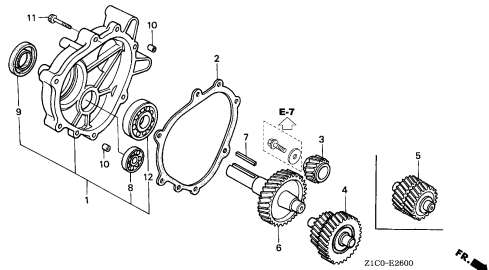
F11



E-26

REDUCTION

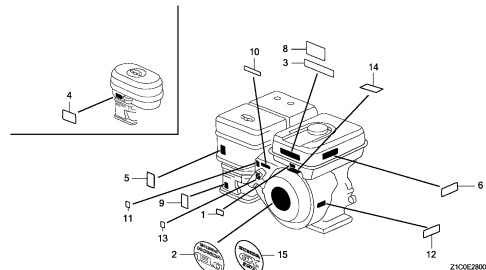
F13



E-28

LABEL(1)

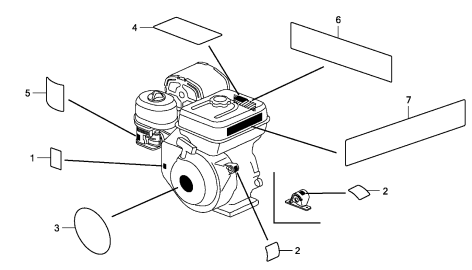
F14



E-28-1

LABEL(2)

F16



2

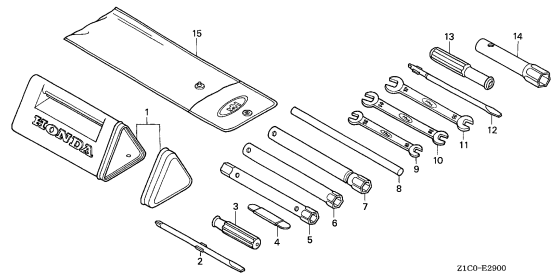
ENGINE GROUP

C 8

E-29

TOOL

G 1

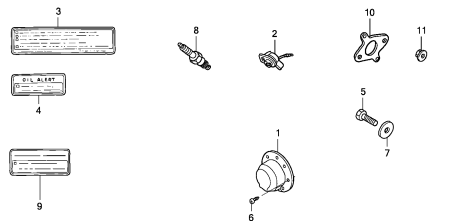


Z1CO-E2900

E-40

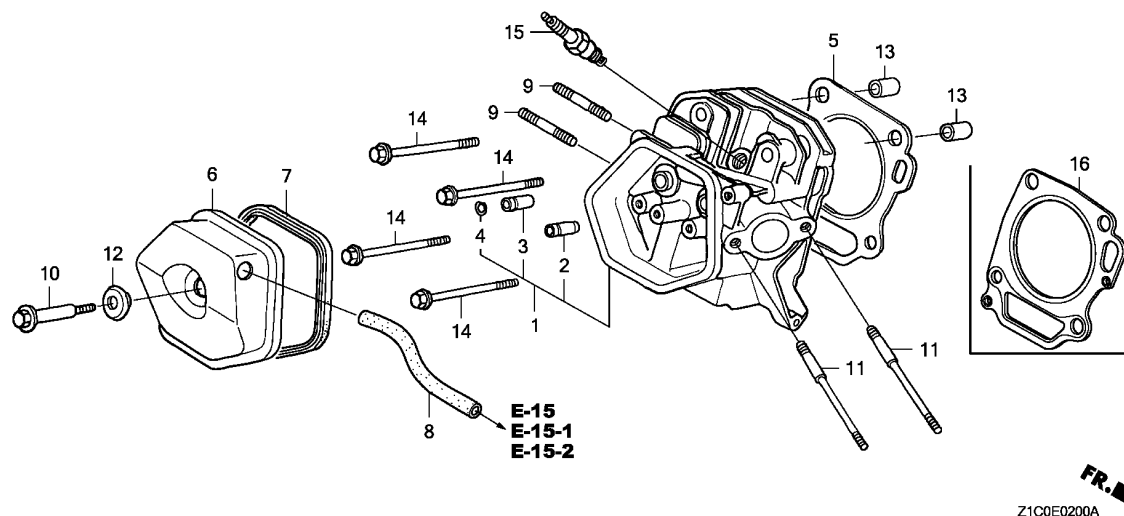
OTHER PARTS

G 2



Z1COE40008

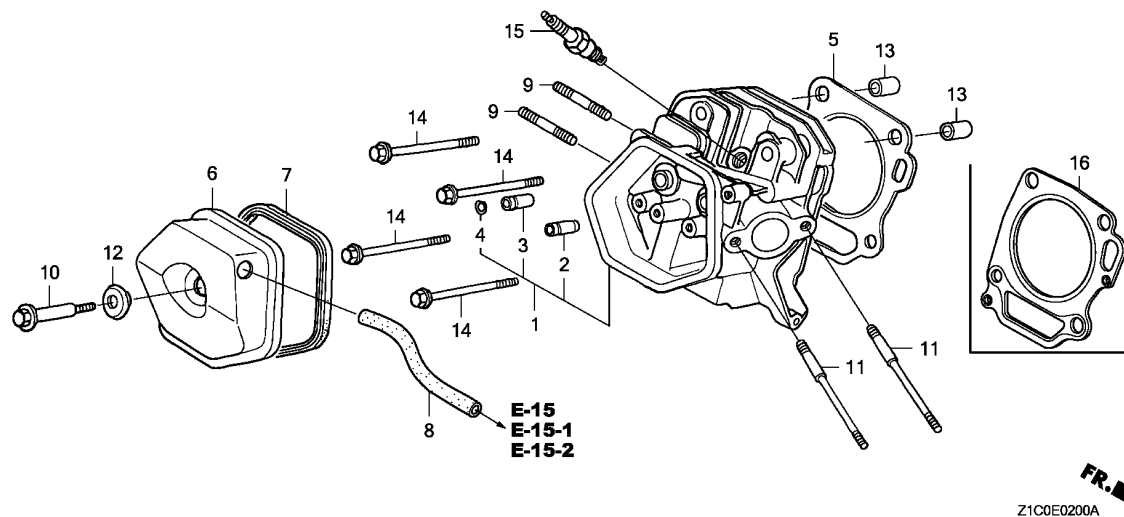
2



Ref. No.	L.O.N.	(Relative ref. Number) Description	F.R.T.
1	1111N3	HEAD, CYLINDERINCLUDES: Valve clearance adjustment and reface	0.9
2	1111E9	GUIDE, INTAKE VALVEINCLUDES: Valve clearance adjustment	0.8
	1111E9E	.Replace intake and exhaust all add	0.2
3	1111E8	GUIDE, EXHAUST VALVEINCLUDES: Valve clearance adjustment	0.8
	1111E8E	.Replace intake and exhaust all add	0.2
5		(16)	
	1111N4	GASKET, CYLINDER HEAD	0.5
6		(7)	
	1111D5	COVER, CYLINDER HEAD AND/OR PACKING, HEAD COVER	0.1
8	1111K5	TUBE, BREATHER	0.1
15	6141C1	PLUG, SPARK	0.1

Ref. No.	Part No.	Description	Reqd. QTY	Serial No.	Parts catalogue code
			GX 390 T1		
1	12200-Z1C-406	HEAD COMP., CYLINDER	1		
2	12204-ZE2-306	GUIDE, IN. VALVE (O.S.)	1		
3	12205-ZE2-305	GUIDE, EX. VALVE (O.S.)	1		
4	12216-ZE2-300	CLIP, VALVE GUIDE	1		
5	12251-ZF6-W00	GASKET, CYLINDER HEAD	1		LXE8,LXE9,LXU,PXE8,PXU,QAA2,QAA6,QA2,QA26,QXEK,QXE8,QXK,QXQ4,QXU,SXE8 SXQ4,VXE8,VXK,VX8
			1	1337116	LH,LHB5,LHP1,LP,LT,PX,QH,QHB3,QHB5,QHP1,QMH,QP,QT,QX,QXE,SH,SHE,SN,SWE SWX,SX,SXC,SXE,VTE5,VX,VXE,VXU1
	12251-Z1C-801	1		LH2,QBLS,QBS,QN,QTD,SWE2,SWX2,VSP
			1	1337117	LH,LHB5,LHP1,LP,LT,PX,QH,QHB3,QHB5,QHP1,QMH,QP,QT,QX,QXE,SH,SHE,SN,SWE SWX,SX,SXC,SXE,VTE5,VX,VXE,VXU1
6	12310-ZE2-020	COVER COMP., HEAD	1		LH,LHB5,LHP1,LH2,LP,LT,LXE8,LXE9,LXU,PX,PXE8,PXU,QAA2,QAA6,QA2,QA26,QH QHB3,QHB5,QHP1,QMH,QN,QP,QT,QTD,QX,QXE,QXEK,QXE8,QXK,QXQ4,QXU,SH,SHE,SN SWE,SWE2,SWX,SWX2,SX,SXC,SXE,SXE8,SXQ4,VSP,VTE5,VX,VXE,VXE8,VXK,VXU1,VX8
	12310-Z1C-800	COVER, CYLINDER HEAD	1		LBHB,QBH,QBHS,QBLS,QBS
	12391-ZE2-020	PACKING, HEAD COVER	1		
8	15721-ZE3-H00	TUBE, BREATHER	1		LP
	95005-11105-30	TUBE, 11X105 (95005-11001-30M)	1		LBHB,LH,LHB5,LHP1,LH2,LT,LXE8,LXE9,LXU,PX,PXE8,PXU,QAA2,QAA6,QA2,QA26,QBH QBHS,QBLS,QBS,QH,QHB3,QHB5,QHP1,QMH,QN,QP,QT,QTD,QX,QXE,QXEK,QXE8,QXK QXQ4,QXU,SH,SHE,SN,SWE,SWE2,SWX,SWX2,SX,SXC,SXE,SXE8,SXQ4,VSP,VTE5,VX,VXE VXE8,VXK,VXU1,VX8
9	90012-KM9-000	BOLT, STUD, 8X34	2		LP
	92900-08032-0E	BOLT, STUD, 8X32	2		LH,LHB5,LHP1,LH2,LT,LXE8,LXE9,LXU,PX,PXE8,PXU,QAA2,QAA6,QA2,QA26,QH,QHB3 QHB5,QHP1,QMH,QN,QP,QT,QTD,QX,QXE,QXEK,QXE8,QXK,QXQ4,QXU,SH,SHE,SN,SWE SWE2,SWX,SWX2,SX,SXC,SXE,SXE8,SXQ4,VSP,VTE5,VX,VXE,VXE8,VXK,VXU1,VX8
	92900-08050-0B	BOLT, STUD, 8X50	2		LBHB,QBH,QBHS,QBLS,QBS



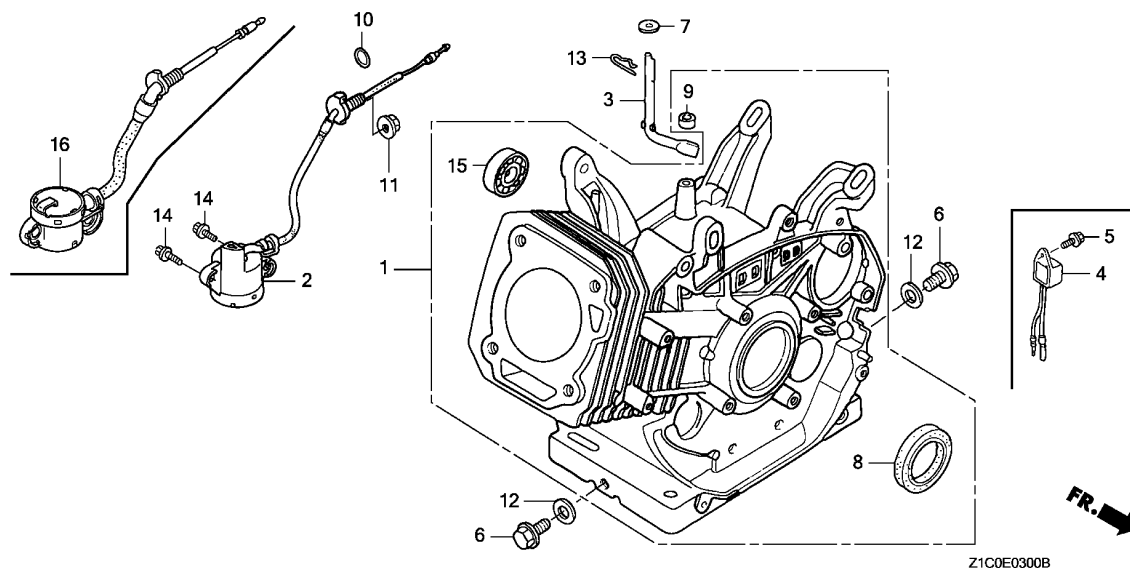


Ref. No.	Part No.	Description	Reqd. QTY	Serial No.		Parts catalogue code
				GX 390 T1		
10	90014-ZE2-000	BOLT, HEAD COVER	1	-----	-----	LH,LHB5,LHP1,LH2,LP,LT,LXE8,LXE9,LXU,PX,PXE8,PXU,QAA2,QAA6,QA2,QA26,QH,QHB3,QHB5,QHP1,QMH,QN,QP,QT,QTD,QX,QXE,QXEK,QXE8,QXK,QXQ4,QXU,SH,SHE,SN,SWE,SWE2,SWX,SWX2,SX,SXC,SXE,SXE8,SXQ4,VSP,VTE5,VX,VXE,VXE8,VXK,VXU1,VX8
	90014-Z1C-800		1	-----	-----	LBHB,QBH,QBHS,QBLS,QBS
11	90042-ZE3-700	BOLT, STUD, 8X106	2	-----	-----	LP
	90042-ZE8-000	BOLT, STUD, 8X131.5	2	-----	-----	LBHB,LH,LHB5,LHP1,LH2,LT,LXE8,LXE9,LXU,PX,PXE8,PXU,QAA2,QAA6,QA2,QA26,QBH,QBHS,QBLS,QBS,QH,QHB3,QHB5,QHP1,QMH,QN,QP,QT,QTD,QX,QXE,QXEK,QXE8,QXK,QXQ4,QXU,SH,SHE,SN,SWE,SWE2,SWX,SWX2,SX,SXC,SXE,SXE8,SXQ4,VSP,VTE5,VX,VXE,VXE8,VXK,VXU1,VX8
12	90441-ZE2-010	WASHER COMP., HEAD COVER	1	-----	-----	LH,LHB5,LHP1,LH2,LP,LT,LXE8,LXE9,LXU,PX,PXE8,PXU,QAA2,QAA6,QA2,QA26,QH,QHB3,QHB5,QHP1,QMH,QN,QP,QT,QTD,QX,QXE,QXEK,QXE8,QXK,QXQ4,QXU,SH,SHE,SN,SWE,SWE2,SWX,SWX2,SX,SXC,SXE,SXE8,SXQ4,VSP,VTE5,VX,VXE,VXE8,VXK,VXU1,VX8
	90441-Z1C-800		1	-----	-----	LBHB,QBH,QBHS,QBLS,QBS
13	94301-12200	DOWEL PIN, 12X20	2	-----	-----	
14	95701-10080-00	BOLT, FLANGE, 10X80	4	-----	-----	LH,LHB5,LHP1,LH2,LP,LT,LXE8,LXE9,LXU,PX,PXE8,PXU,QAA2,QAA6,QA2,QA26,QH,QHB3,QHB5,QHP1,QMH,QN,QP,QT,QTD,QX,QXE,QXEK,QXE8,QXK,QXQ4,QXU,SH,SHE,SN,SWE,SWE2,SWX,SWX2,SX,SXC,SXE,SXE8,SXQ4,VSP,VTE5,VX,VXE,VXE8,VXK,VXU1,VX8
	90102-Z1C-800		4	-----	-----	LBHB,QBH,QBHS,QBLS,QBS
15	98079-55841	PLUG, SPARK (BP5ES) (NGK)	(1)	-----	-----	LBHB,LP,LT,QBH,QBHS,QBLS,QBS,QN,QT,QTD
	98079-55876	PLUG, SPARK (BPR5ES)	(1)	-----	-----	LH,LHB5,LHP1,LH2,LXE8,LXE9,LXU,PX,PXE8,PXU,QAA2,QAA6,QA2,QA26,QH,QHB3,QHB5,QHP1,QMH,QP,QX,QXE,QXEK,QXE8,QXK,QXQ4,QXU,SH,SHE,SN,SWE,SWE2,SWX,SWX2,SX,SXC,SXE,SXE8,SXQ4,VSP,VTE5,VX,VXE,VXE8,VXK,VXU1,VX8
	98079-56871	PLUG, SPARK (BP6ES)	1	-----	-----	LBHB,LP,LT,QBH,QBHS,QBLS,QBS,QN,QT,QTD,SN
	98079-56876	PLUG, SPARK (BPR6ES)	1	-----	-----	LH,LHB5,LHP1,LH2,LXE8,LXE9,LXU,PX,PXE8,PXU,QAA2,QAA6,QA2,QA26,QH,QHB3,QHB5,QHP1,QMH,QP,QX,QXE,QXEK,QXE8,QXK,QXQ4,QXU,SH,SHE,SWE,SWE2,SWX,SWX2,SX,SXC,SXE,SXE8,SXQ4,VSP,VTE5,VX,VXE,VXE8,VXK,VXU1,VX8
16	12251-Z1C-811	GASKET, CYLINDER HEAD	1	-----	-----	LBHB,QBH,QBHS

E-3

CYLINDER BARREL

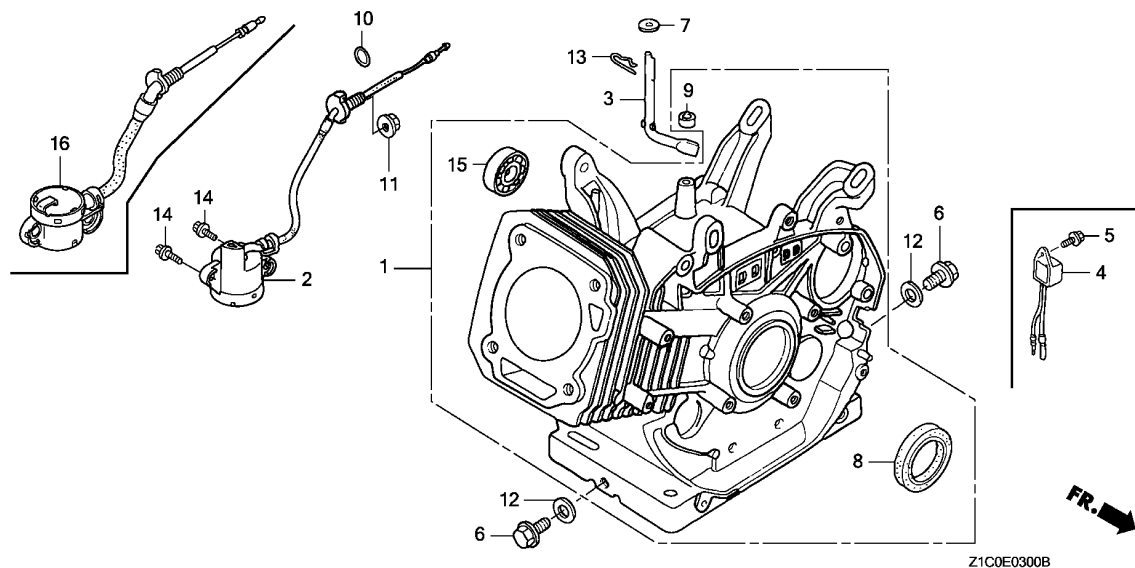
D 3



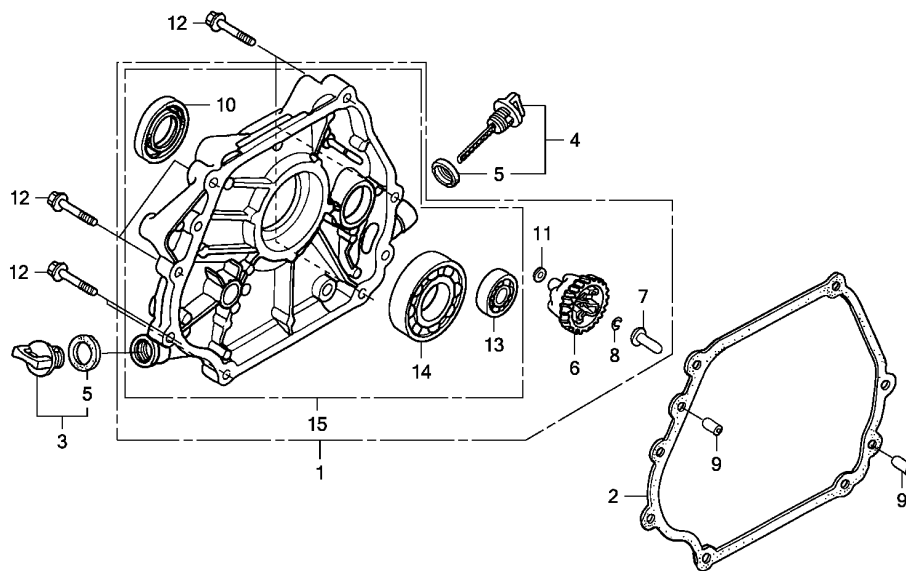
Ref. No.	L.O.N.	(Relative ref. Number) Description	F.R.T.
1	1101A0	BARREL, CYLINDER	1.8
2		(10,16)	
	6151E8	SWITCH, OIL LEVEL	0.5
	3	1161B4 SHAFT, GOVERNOR ARM	0.9
	4	6151A0 ALERT UNIT, ENGINE OIL	0.1
	8	1101E4 OIL SEAL, CRANKSHAFT :FRONT ..	1.2
	9	1101C4 OIL SEAL, GOVERNOR ARM SHAFT ..	0.9
	12	1101D5 WASHER, DRAIN PLUG	0.1
	15	1101F4 BEARING, BALANCER WEIGHT :FRONT	0.5

Ref. No.	Part No.	Description	Reqd. QTY		Serial No.	Parts catalogue code
			GX	T1		
1	12000-Z1C-405	BARREL ASSY., CYLINDER	1	-----	-----	LXE8,LXE9,PXE8,QXE,QXEK,QXE8,SXE,SXE8,VTE5,VXE,VXE8,VXK,VXU1
	12000-Z1C-406	1	-----	-----	LH,LHB5,LHP1,LH2,LT,QBLS,QBS,QH,QHB3,QHB5,QHP1,QMH,QN,QP,QT,QTD,SH,SN
	12000-Z1C-407	1	-----	-----	LXU,PX,PXU,QAA2,QAA6,QA2,QA26,QX,QXK,QXQ4,QXU,SWX,SWX2,SX,SXC,SXQ4,VSP,VX
	12000-Z1C-408	1	-----	-----	VX8
	12000-Z1C-409	1	-----	-----	SHE,SWE,SWE2
	12000-Z1C-305	1	-----	-----	LP
2	15510-ZE2-043	SWITCH ASSY., OIL LEVEL	1	-----	-----	LBHB,QBH,QBHS
		1	-----	-----	LXE8,LXU,PXE8,PXU,QAA2,QAA6,QA2,QA26,QXE8,QXQ4,QXU,SXE8,SXQ4,VXE8,VX8
		1	-----	1337116	PX,QX,QXE,SWX,SX,SXC,SXE,VTE5,VX,VXE,VXU1
		1	-----	1340607	LXE9,QXEK,QXK,VXK
3	16541-ZE3-010	SHAFT, GOVERNOR ARM	1	-----	-----	LH,LHB5,LHP1,LH2,LT,LXE8,LXE9,LXU,PX,PXE8,PXU,QAA2,QAA6,QA2,QA26,QBLS,QBS
					QH,QHB3,QHB5,QHP1,QMH,QN,QP,QT,QTD,QX,QXE,QXEK,QXE8,QXK,QXQ4,QXU,SH,SHE
					SN,SWE,SWE2,SWX,SWX2,SX,SXC,SXE,SXE8,SXQ4,VSP,VTE5,VX,VXE,VXE8,VXK,VXU1
					VX8
4	34150-ZH7-003	ALERT UNIT, OIL	1	-----	-----	LXU,PX,PXU,QAA2,QAA6,QA2,QA26,QX,QXK,QXQ4,QXU,SWX,SX,SXC,SXQ4,VSP,VX,VX8
	34150-ZH7-013	1	-----	-----	QBLS,QBS,SWX2
5	90013-883-000	BOLT, FLANGE, 6X12(CT200) ...	1	-----	-----	LXU,PX,PXU,QAA2,QAA6,QA2,QA26,QX,QXK,QXQ4,QXU,SWX,SWX2,SX,SXC,SXQ4,VSP,VX
		1	-----	-----	VX8
	90013-Z0T-810	1	-----	-----	QBLS,QBS
6	90131-883-000	BOLT, DRAIN PLUG, 12X15	2	-----	-----	
7	90446-KE1-000	WASHER, 8.2X17X0.8	1	-----	-----	LH,LHB5,LHP1,LH2,LT,LXE8,LXE9,LXU,PX,PXE8,PXU,QAA2,QAA6,QA2,QA26,QBLS,QBS
					QH,QHB3,QHB5,QHP1,QMH,QN,QP,QT,QTD,QX,QXE,QXEK,QXE8,QXK,QXQ4,QXU,SH,SHE
					SN,SWE,SWE2,SWX,SWX2,SX,SXC,SXE,SXE8,SXQ4,VSP,VTE5,VX,VXE,VXE8,VXK,VXU1
					VX8
8	91201-Z1C-003	OIL SEAL, 35X52X8	1	-----	-----	





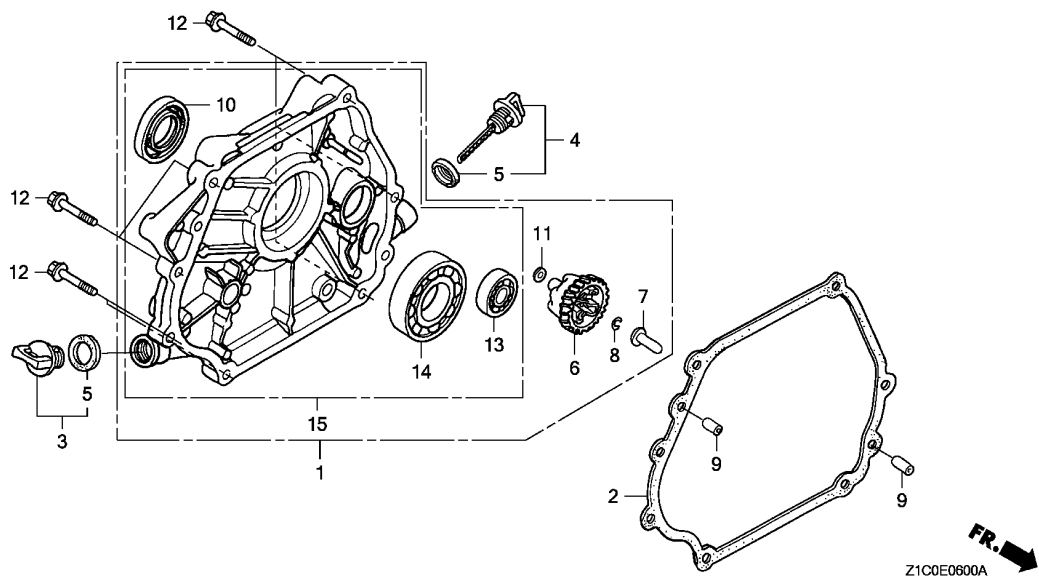
Ref. No.	Part No.	Description	Reqd. QTY		Serial No.	Parts catalogue code
			GX	T1		
9	91203-952-771	OIL SEAL, 8X14X5	1	-----	-----	LH,LHB5,LHP1,LH2,LT,LXE8,LXE9,LXU,PX,PXE8,PXU,QAA2,QAA6,QA2,QA26,QBLS,QBS,QH,QHB3,QHB5,QHP1,QMH,QN,QP,QT,QTD,QX,QXE,QXEK,QXE8,QXK,QXQ4,QXU,SH,SHE,SN,SWE,SWE2,SWX,SWX2,SX,SXC,SXE,SXE8,SXQ4,VSP,VTE5,VX,VXE,VXE8,VXK,VXU1,VX8
10	91353-671-004	O-RING, 14MM(NOK)	1	-----	-----	LXE8,LXE9,LXU,PX,PXE8,PXU,QAA2,QAA6,QA2,QA26,QX,QXE,QXEK,QXE8,QXK,QXQ4,QXU,SWX,SWX2,SX,SXC,SXE,SXE8,SXQ4,VSP,VTE5,VX,VXE,VXE8,VXK,VXU1,VX8
11	94050-10000	NUT, FLANGE, 10MM	1	-----	-----	LXE8,LXE9,LXU,PX,PXE8,PXU,QAA2,QAA6,QA2,QA26,QX,QXE,QXEK,QXE8,QXK,QXQ4,QXU,SWX,SWX2,SX,SXC,SXE,SXE8,SXQ4,VSP,VTE5,VX,VXE,VXE8,VXK,VXU1,VX8
12	94109-12000	WASHER, DRAIN PLUG, 12MM	2	-----	-----	
13	94251-10000	PIN, LOCK, 10MM	1	-----	-----	LH,LHB5,LHP1,LH2,LT,LXE8,LXE9,LXU,PX,PXE8,PXU,QAA2,QAA6,QA2,QA26,QBLS,QBS,QH,QHB3,QHB5,QHP1,QMH,QN,QP,QT,QTD,QX,QXE,QXEK,QXE8,QXK,QXQ4,QXU,SH,SHE,SN,SWE,SWE2,SWX,SWX2,SX,SXC,SXE,SXE8,SXQ4,VSP,VTE5,VX,VXE,VXE8,VXK,VXU1,VX8
14	95701-06012-00	BOLT, FLANGE, 6X12	2	-----	-----	LXE8,LXE9,LXU,PX,PXE8,PXU,QAA2,QAA6,QA2,QA26,QX,QXE,QXEK,QXE8,QXK,QXQ4,QXU,SWX,SWX2,SX,SXC,SXE,SXE8,SXQ4,VSP,VTE5,VX,VXE,VXE8,VXK,VXU1,VX8
15	96100-62020-00	BEARING, RADIAL BALL, 6202 ..	1	-----	-----	
16	35480-ZF6-003	SWITCH ASSY., OIL LEVEL	1	-----	-----	SWX2,VSP
			1	1337117	-----	PX,QX,QXE,SWX,SX,SXC,SXE,VTE5,VX,VXE,VXU1
			1	1340608	-----	LXE9,QXEK,QXK,VXK



Ref. No.	L.O.N.	(Relative ref. Number) Description	F.R.T.
1		(15)	
1	1101F1	COVER, CRANKCASE	0.2
2	1101E9	PACKING, CRANKCASE COVER	0.2
6	1161C4	GOVERNOR ASSEMBLY	0.3
7	1161B6	SLIDER, GOVERNOR	0.3
10	1101E5	OIL SEAL, CRANKSHAFT :REAR ...	0.3
13	1101F5	BEARING, BALANCER WEIGHT :REAR	0.4
14	1101A6	BEARING, CRANKSHAFT :REAR	0.4

Ref. No.	Part No.	Description	Reqd. QTY		Serial No.	Parts catalogue code
			GX 390 T1			
1	11300-Z1C-000	COVER ASSY., CRANKCASE	1	-----	-----	SH, SHE, SN, SWE, SWE2, SWX, SWX2, SX, SXC, SXE, SXE8, SXQ4
	11300-Z1C-600	1	-----	-----	PX, PXE8, PXU, QAA2, QAA6, QA2, QA26, QBLS, QBS, QH, QHB3, QHB5, QHP1, QMH, QN, QP, QT, QTD, QX, QXE, QXEK, QXE8, QXK, QXQ4, QXU, VSP, VTE5, VX, VXE, VXE8, VXK, VXU1, VX8
2	11381-ZE3-801	PACKING, CASE COVER	1	-----	-----	PX, PXE8, PXU, QAA2, QAA6, QA2, QA26, QBH, QBHS, QBLS, QBS, QH, QHB3, QHB5, QHP1, QMH, QN, QP, QT, QTD, QX, QXE, QXEK, QXE8, QXK, QXQ4, QXU, SH, SHE, SN, SWE, SWE2, SWX, SWX2, SX, SXC, SXE, SXE8, SXQ4, VSP, VTE5, VX, VXE, VXE8, VXK, VXU1, VX8
3	15600-Z0T-820	CAP ASSY., OIL FILLER	1	-----	-----	PX, PXE8, PXU, QAA2, QAA6, QA2, QA26, QBH, QBHS, QBLS, QBS, QH, QHB3, QHB5, QHP1, QMH, QN, QP, QT, QTD, QX, QXE, QXEK, QXE8, QXK, QXQ4, QXU, SH, SHE, SN, SWE, SWE2, SWX, SWX2, SX, SXC, SXE, SXE8, SXQ4, VSP, VTE5, VX, VXE, VXE8, VXK, VXU1, VX8
4	15600-Z1C-000	CAP ASSY., OIL FILLER	1	-----	-----	PX, PXE8, PXU, QAA2, QAA6, QA2, QA26, QBH, QBHS, QBLS, QBS, QH, QHB3, QHB5, QHP1, QMH, QN, QP, QT, QTD, QX, QXE, QXEK, QXE8, QXK, QXQ4, QXU, SH, SHE, SN, SWE, SWE2, SWX, SWX2, SX, SXC, SXE, SXE8, SXQ4, VSP, VTE5, VX, VXE, VXE8, VXK, VXU1, VX8
5	15625-Z0T-800	PACKING, OIL FILLER CAP	2	-----	-----	PX, PXE8, PXU, QAA2, QAA6, QA2, QA26, QBH, QBHS, QBLS, QBS, QH, QHB3, QHB5, QHP1, QMH, QN, QP, QT, QTD, QX, QXE, QXEK, QXE8, QXK, QXQ4, QXU, SH, SHE, SN, SWE, SWE2, SWX, SWX2, SX, SXC, SXE, SXE8, SXQ4, VSP, VTE5, VX, VXE, VXE8, VXK, VXU1, VX8
6	16510-ZE3-000	GOVERNOR ASSY.	1	-----	-----	PX, PXE8, PXU, QAA2, QAA6, QA2, QA26, QBLS, QBS, QH, QHB3, QHB5, QHP1, QMH, QN, QP, QT, QTD, QX, QXE, QXEK, QXE8, QXK, QXQ4, QXU, SH, SHE, SN, SWE, SWE2, SWX, SWX2, SX, SXC, SXE, SXE8, SXQ4, VSP, VTE5, VX, VXE, VXE8, VXK, VXU1, VX8
7	16531-Z0A-000	SLIDER, GOVERNOR	1	-----	-----	PX, PXE8, PXU, QAA2, QAA6, QA2, QA26, QBLS, QBS, QH, QHB3, QHB5, QHP1, QMH, QN, QP, QT, QTD, QX, QXE, QXEK, QXE8, QXK, QXQ4, QXU, SH, SHE, SN, SWE, SWE2, SWX, SWX2, SX, SXC, SXE, SXE8, SXQ4, VSP, VTE5, VX, VXE, VXE8, VXK, VXU1, VX8
8	90602-ZE1-000	CLIP, GOVERNOR HOLDER	1	-----	-----	PX, PXE8, PXU, QAA2, QAA6, QA2, QA26, QBLS, QBS, QH, QHB3, QHB5, QHP1, QMH, QN, QP, QT, QTD, QX, QXE, QXEK, QXE8, QXK, QXQ4, QXU, SH, SHE, SN, SWE, SWE2, SWX, SWX2, SX, SXC, SXE, SXE8, SXQ4, VSP, VTE5, VX, VXE, VXE8, VXK, VXU1, VX8
9	90701-HC4-000	DOWEL PIN, 8X12	2	-----	-----	PX, PXE8, PXU, QAA2, QAA6, QA2, QA26, QBH, QBHS, QBLS, QBS, QH, QHB3, QHB5, QHP1, QMH, QN, QP, QT, QTD, QX, QXE, QXEK, QXE8, QXK, QXQ4, QXU, SH, SHE, SN, SWE, SWE2, SWX, SWX2, SX, SXC, SXE, SXE8, SXQ4, VSP, VTE5, VX, VXE, VXE8, VXK, VXU1, VX8



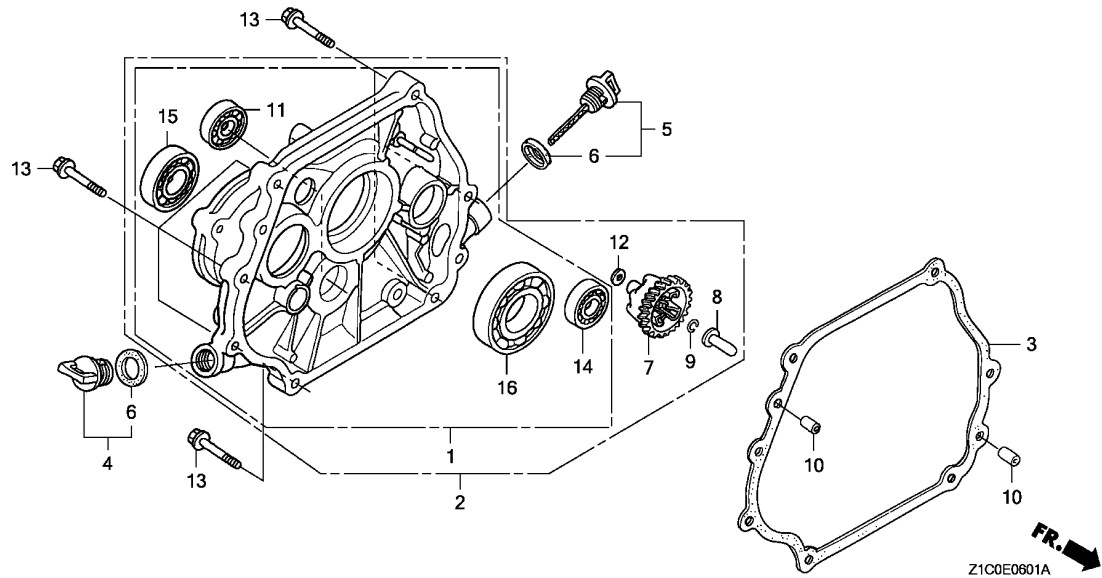


Ref. No.	Part No.	Description	Reqd. QTY		Serial No.	Parts catalogue code
			GX	T1		
10	91201-Z1C-003	OIL SEAL, 35X52X8	1	-----	-----	PX,PXE8,PXU,QAA2,QAA6,QA2,QA26,QBH,QBHS,QBLS,QBS,QH,QHB3,QHB5,QHP1,QMH,QN,QP,QT,QTD,QX,QXE,QXEK,QXE8,QXK,QXQ4,QXU,SH,SHE,SN,SWE,SWE2,SWX,SWX2,SX,SXC,SXE,SXE8,SXQ4,VSP,VTE5,VX,VXE,VXE8,VXK,VXU1,VX8
11	94101-06800	WASHER, PLAIN, 6MM	1	-----	-----	PX,PXE8,PXU,QAA2,QAA6,QA2,QA26,QBLS,QBS,QH,QHB3,QHB5,QHP1,QMH,QN,QP,QT,QTD,QX,QXE,QXEK,QXE8,QXK,QXQ4,QXU,SH,SHE,SN,SWE,SWE2,SWX,SWX2,SX,SXC,SXE,SXE8,SXQ4,VSP,VTE5,VX,VXE,VXE8,VXK,VXU1,VX8
12	95701-08040-00	BOLT, FLANGE, 8X40	7	-----	-----	PX,PXE8,PXU,QAA2,QAA6,QA2,QA26,QBH,QBHS,QBLS,QBS,QH,QHB3,QHB5,QHP1,QMH,QN,QP,QT,QTD,QX,QXE,QXEK,QXE8,QXK,QXQ4,QXU,SH,SHE,SN,SWE,SWE2,SWX,SWX2,SX,SXC,SXE,SXE8,SXQ4,VSP,VTE5,VX,VXE,VXE8,VXK,VXU1,VX8
13	96100-62020-00	BEARING, RADIAL BALL, 6202 ..	1	-----	-----	PX,PXE8,PXU,QAA2,QAA6,QA2,QA26,QBH,QBHS,QBLS,QBS,QH,QHB3,QHB5,QHP1,QMH,QN,QP,QT,QTD,QX,QXE,QXEK,QXE8,QXK,QXQ4,QXU,SH,SHE,SN,SWE,SWE2,SWX,SWX2,SX,SXC,SXE,SXE8,SXQ4,VSP,VTE5,VX,VXE,VXE8,VXK,VXU1,VX8
14	96100-62070-00	BEARING, RADIAL BALL, 6207 ..	1	-----	-----	PX,PXE8,PXU,QAA2,QAA6,QA2,QA26,QBH,QBHS,QBLS,QBS,QH,QHB3,QHB5,QHP1,QMH,QN,QP,QT,QTD,QX,QXE,QXEK,QXE8,QXK,QXQ4,QXU,SH,SHE,SN,SWE,SWE2,SWX,SWX2,SX,SXC,SXE,SXE8,SXQ4,VSP,VTE5,VX,VXE,VXE8,VXK,VXU1,VX8
15	11300-Z1C-800	COVER ASSY., CRANKCASE	1	-----	-----	QBH,QBHS

E-6-1

CRANKCASE COVER(2)

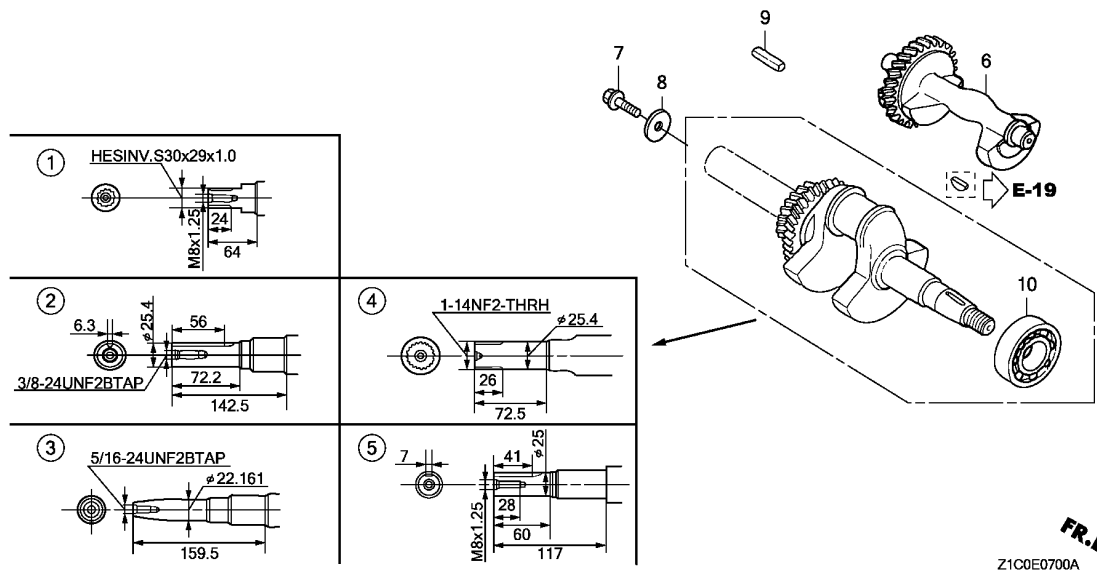
D 7



Ref. No.	L.O.N.	(Relative ref. Number) Description	F.R.T.
2		(1)	
2	1101G0	COVER, CRANKCASE(A)	0.3
3	1101F9	PACKING, CRANKCASE COVER(A) ..	0.3
7	1161C4	GOVERNOR ASSEMBLY	0.3
8	1161B6	SLIDER, GOVERNOR	0.3
11	2101U3	BEARING, COUNTERSHAFT :FRONT ..	0.4
14	1101F5	BEARING, BALANCER WEIGHT :REAR	0.4
15	2141A7	BEARING, POWER TAKE OFF SHAFT :FRONT	0.4
16	1101A6	BEARING, CRANKSHAFT :REAR	0.4

Ref. No.	Part No.	Description	Reqd. QTY	Serial No.	Parts catalogue code
			GX 390 T1		
1	11300-ZE3-W00	COVER ASSY., CRANKCASE	1	-----	LP
	11300-Z1C-810	1	-----	LBHB
2	11300-ZE3-614	COVER ASSY., CRANKCASE	1	-----	LH,LHB5,LHP1,LH2,LT,LXE8,LXE9,LXU
3	11381-ZE3-801	PACKING, CASE COVER	1	-----	LBHB,LH,LHB5,LHP1,LH2,LP,LT,LXE8,LXE9,LXU
4	15600-Z0T-820	CAP ASSY., OIL FILLER	1	-----	LBHB,LH,LHB5,LHP1,LH2,LP,LT,LXE8,LXE9,LXU
5	15600-Z1C-000	CAP ASSY., OIL FILLER	1	-----	LBHB,LH,LHB5,LHP1,LH2,LP,LT,LXE8,LXE9,LXU
6	15625-Z0T-800	PACKING, OIL FILLER CAP	2	-----	LBHB,LH,LHB5,LHP1,LH2,LP,LT,LXE8,LXE9,LXU
7	16510-ZE3-000	GOVERNOR ASSY.	1	-----	LH,LHB5,LHP1,LH2,LT,LXE8,LXE9,LXU
8	16531-Z0A-000	SLIDER, GOVERNOR	1	-----	LH,LHB5,LHP1,LH2,LT,LXE8,LXE9,LXU
9	90602-ZE1-000	CLIP, GOVERNOR HOLDER	1	-----	LH,LHB5,LHP1,LH2,LT,LXE8,LXE9,LXU
10	90701-HC4-000	DOWEL PIN, 8X12	2	-----	LBHB,LH,LHB5,LHP1,LH2,LP,LT,LXE8,LXE9,LXU
11	91009-KJ1-003	BEARING, RADIAL BALL, 6202 (NTN)	1	-----	LBHB,LH,LHB5,LHP1,LH2,LP,LT,LXE8,LXE9,LXU
12	94101-06800	WASHER, PLAIN, 6MM	1	-----	LH,LHB5,LHP1,LH2,LT,LXE8,LXE9,LXU
13	95701-08040-00	BOLT, FLANGE, 8X40	7	-----	LBHB,LH,LHB5,LHP1,LH2,LP,LT,LXE8,LXE9,LXU
14	96100-62020-00	BEARING, RADIAL BALL, 6202 ..	1	-----	LBHB,LH,LHB5,LHP1,LH2,LP,LT,LXE8,LXE9,LXU
15	96100-62040-00	BEARING, RADIAL BALL, 6204 ..	1	-----	LBHB,LH,LHB5,LHP1,LH2,LP,LT,LXE8,LXE9,LXU
16	96100-62070-00	BEARING, RADIAL BALL, 6207 ..	1	-----	LBHB,LH,LHB5,LHP1,LH2,LP,LT,LXE8,LXE9,LXU

2

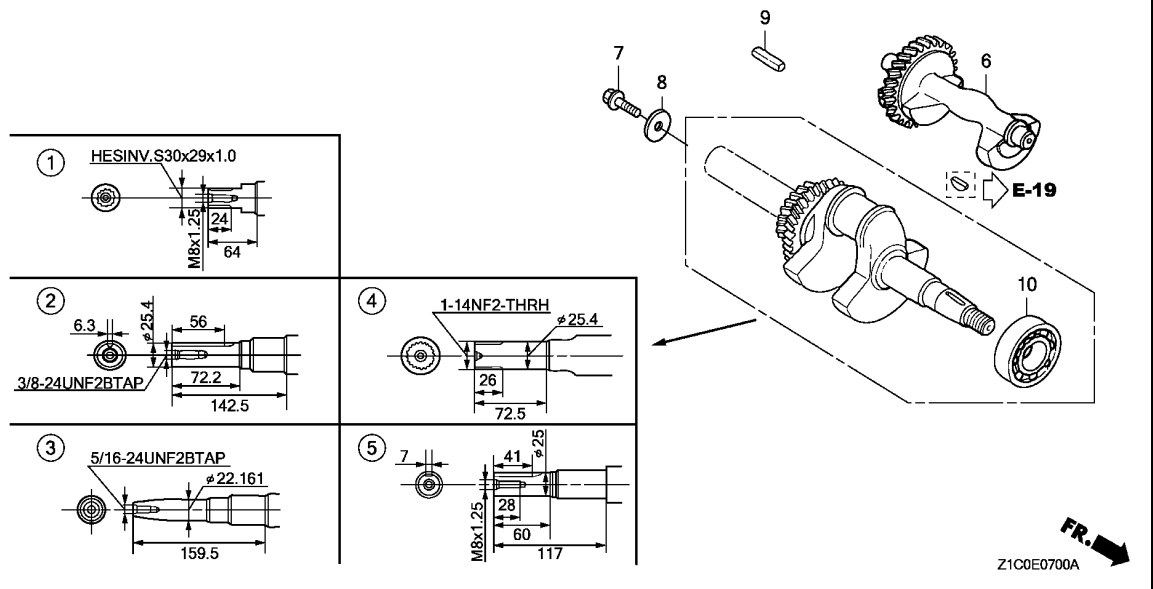


Ref. No.	L.O.N.	(Relative ref. Number) Description	F.R.T.
1		(2,3,4,5)	
1101F0		CRANKSHAFT	1.1
1101D8		WEIGHT, BALANCER	0.4
1101A4		BEARING, CRANKSHAFT :FRONT ...	1.3

Z1C0E0700A

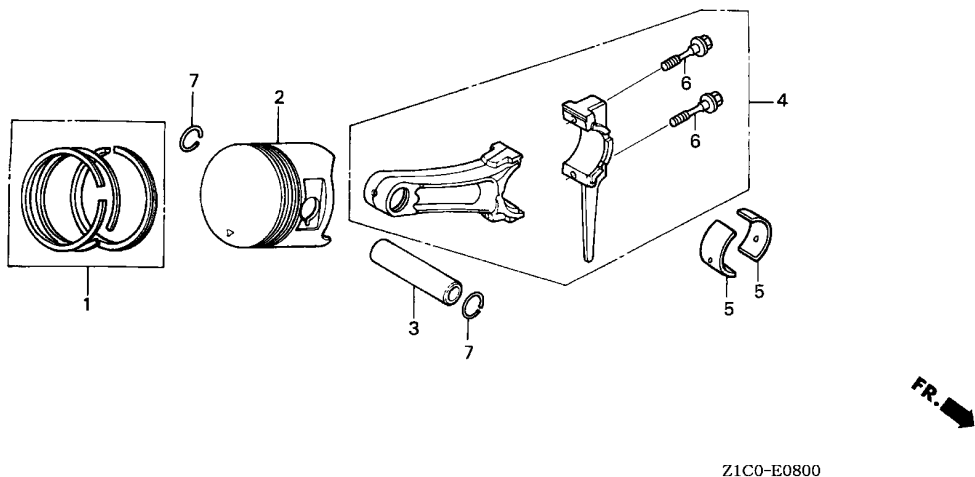
Ref. No.	Part No.	Description	Reqd. QTY	Serial No.	Parts catalogue code
			GX 390 T1		
1	13310-ZF6-W20	CRANKSHAFT COMP.	1	-----	LH,LHB5,LHP1,LT,LXE8,LXU
	13310-ZF6-Y30	1	1234907	LP
	13310-ZF6-Y31	1	1234908	1284384 LP
	13310-ZF6-W22	1	-----	LBHB,LH2,LXE9
	13310-ZF6-Y32	1	1284385	LP
2	13310-Z1C-810	CRANKSHAFT COMP.	1	-----	1183356 QAA2,QAA6,QA2,QA26,QH,QHB3,QHB5,QHP1,QMH,QP,QT,QX,QXE,QXE8,QXQ4,QXU
	13310-ZF6-W11	1	1183357	1331623 QAA2,QAA6,QA2,QA26,QH,QHB3,QHB5,QHP1,QMH,QP,QT,QX,QXE,QXE8,QXQ4,QXU
	13310-ZF6-W12	1	-----	QBH,QBHS,QBLS,QBS,QN,QTD,QXEK,QXK
		1	1331624	QAA2,QAA6,QA2,QA26,QH,QHB3,QHB5,QHP1,QMH,QP,QT,QX,QXE,QXE8,QXQ4,QXU
3	13310-Z1C-840	CRANKSHAFT COMP.	1	-----	1248887 VTE5,VX,VXE,VXE8,VXU1,VX8
	13310-ZF6-W41	1	1248888	1337116 VTE5,VX,VXE,VXE8,VXU1,VX8
	13310-ZF6-W42	1	-----	VSP,VXK
		1	1337117	VTE5,VX,VXE,VXE8,VXU1,VX8
4	13310-Z1C-860	CRANKSHAFT COMP.	1	-----	PX,PXE8,PXU
5	13310-Z1C-870	CRANKSHAFT COMP.	1	-----	SH,SHE,SN,SWE,SWX,SX,SXC,SXE,SXE8,SXQ4
	13310-ZF6-W72	1	-----	SWE2,SWX2
6	13351-ZE3-010	WEIGHT, BALANCER	1	-----	
7	90107-959-003	BOLT, HEX., 8X25	1	-----	LBHB,LH,LHB5,LHP1,LH2,LP,LT,LXE8,LXE9,LXU
8	90473-ZE3-010	WASHER, 8MM	1	-----	LBHB,LH,LHB5,LHP1,LH2,LP,LT,LXE8,LXE9,LXU
9	90741-805-000	KEY, 7X7X33	1	-----	LBHB,LH,LHB5,LHP1,LH2,LP,LXE8,LXE9,LXU,SH,SHE,SN,SWE,SWE2,SWX,SWX2,SX,SXC
	90741-889-810	KEY, 7X7X33 (YELLOW)	(1)	-----	SXE,SXE8,SXQ4
	90745-ZE2-600	KEY, 6.3X6.3X43	1	-----	LBHB,LH,LHB5,LHP1,LH2,LP,LXE8,LXE9,LXU,SH,SHE,SN,SWE,SWE2,SWX,SWX2,SX,SXC
		1	-----	SXE,SXE8,SXQ4
		1	-----	QAA2,QAA6,QA2,QA26,QBH,QBHS,QBLS,QBS,QH,QHB3,QHB5,QHP1,QMH,QN,QP,QT,QT
		1	-----	QX,QXE,QXEK,QXE8,QXK,QXQ4,QXU

2



Ref. No.	Part No.	Description	Reqd. QTY		Serial No.	Parts catalogue code
			GX	390		
				T1		
10	91001-ZF6-003	BEARING, RADIAL BALL, 6207S	1		-----	LH,LHB5,LHP1,LT,LXE8,LXU,PX,PXE8,PXU,SH,SHE,SN,SWE,SWX,SX,SXC,SXE,SXE8 SXQ4
			1		1284384	LP
			1		1331623	QAA2,QAA6,QA2,QA26,QH,QHB3,QHB5,QHP1,QMH,QP,QT,QX,QXE,QXE8,QXQ4,QXU
			1		1337116	VTE5,VX,VXE,VXE8,VXU1,VX8
	91001-ZF6-013	BEARING, RADIAL BALL, 6207SH	1		-----	LBHB,LH2,LXE9,QBH,QBHS,QBLS,QBS,QN,QTD,QXEK,QXK,SWE2,SWX2,VSP,VXK
			1		1284385	LP
			1		1331624	QAA2,QAA6,QA2,QA26,QH,QHB3,QHB5,QHP1,QMH,QP,QT,QX,QXE,QXE8,QXQ4,QXU
			1		1337117	VTE5,VX,VXE,VXE8,VXU1,VX8

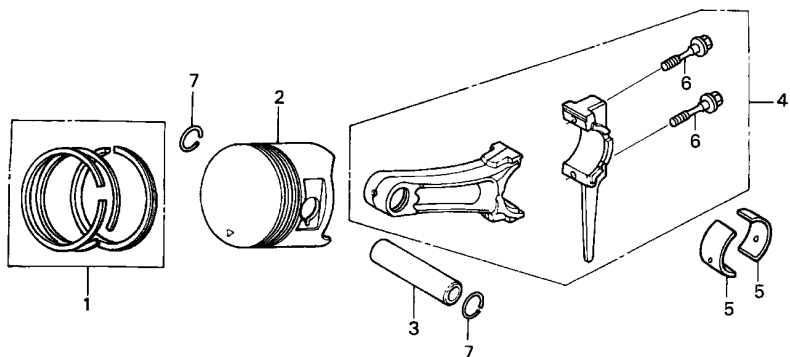




Ref. No.	L.O.N.	(Relative ref. Number) Description	F.R.T.
2	1111R1	(1,3,4,5) PISTON AND/OR RING SET AND/OR BEARING AND/OR RODINCLUDES: Inspection/ Measurement/Cleaning	1.2

Ref. No.	Part No.	Description	Reqd. QTY	Serial No.	Parts catalogue code
			GX 390 T1		
1	13010-Z1C-800	RING SET, PISTON (STD.)(RIKEN)	1	-----	LXE8,LXU,PXE8,PXU,QAA2,QAA6,QA2,QA26,QXE8,QXQ4,QXU,SXE8,SXQ4,VXE8,VX8 LH,LHB5,LHP1,LP,LT,LXE9,PX,QH,QHB3,QHB5,QHP1,QMH,QX,QXE,QXEK,QXK,SH,SHE SWE,SWX,SX,SXC,SXE,VSP,VTE5,VX,VXE,VXK,VXU1
			1	-----	1438369
			1	-----	1450800
	13011-Z1C-800	RING SET, PISTON (0.25)(RIKEN)	(1)	-----	LXE8,LXU,PXE8,PXU,QAA2,QAA6,QA2,QA26,QXE8,QXQ4,QXU,SXE8,SXQ4,VXE8,VX8
			(1)	-----	1438369
			(1)	-----	1450800
	13012-Z1C-800	RING SET, PISTON (0.50)(RIKEN)	(1)	-----	LXE8,LXU,PXE8,PXU,QAA2,QAA6,QA2,QA26,QXE8,QXQ4,QXU,SXE8,SXQ4,VXE8,VX8
			(1)	-----	1438369
			(1)	-----	1450800
	13013-Z1C-800	RING SET, PISTON (0.75)(RIKEN)	(1)	-----	LXE8,LXU,PXE8,PXU,QAA2,QAA6,QA2,QA26,QXE8,QXQ4,QXU,SXE8,SXQ4,VXE8,VX8
			(1)	-----	1438369
			(1)	-----	1450800
	13010-Z5R-004	RING SET, PISTON (STD.) (TEIKOKU)	1	-----	LBHB,LH2,QBH,QBHS,QBLS,QBS,SWE2,SWX2
			1	-----	1438370
			1	-----	1450801
	13010-Z5T-003	RING SET, PISTON (STD.)(RIKEN)	1	-----	LBHB,LH2,QBH,QBHS,QBLS,QBS,SWE2,SWX2
			1	-----	1438370
			1	-----	1450801

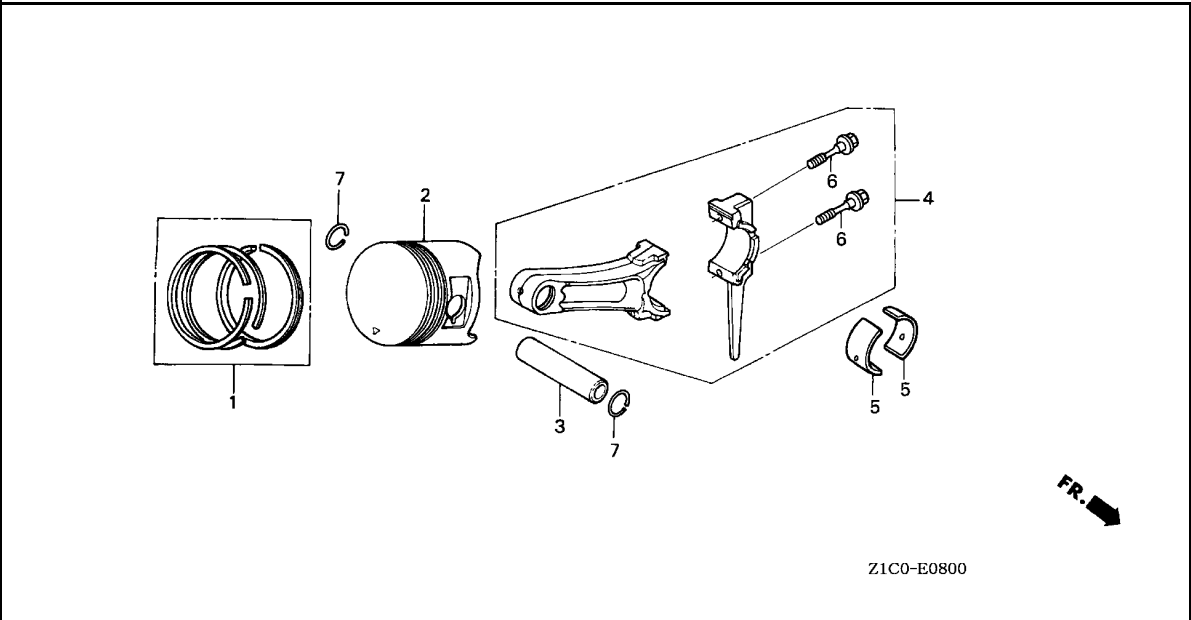
Ref. No.	Part No.	Description	Reqd. QTY		Serial No.	Parts catalogue code
			GX 390 T1			
(1)	13011-Z5R-004	RING SET, PISTON (0.25) (TEIKOKU)	(1)	-----	-----	LBHB,LH2,QBH,QBHS,QBLS,QBS,SWE2,SWX2
			(1)	1438370	-----	LH,LHB5,LHP1,LP,LT,LXE9,PX,QH,QHB3,QHB5,QHP1,QMH,QX,QXE,QXEK,QXK,SH,SHE SWE,SWX, SX, SXC, SXE, VSP, VTE5, VX, VXE, VVK, VXU1
	13011-Z5T-003	RING SET, PISTON (0.25)(RIKEN)	(1)	1450801	-----	QN, QP, QT, QTD, SN
			(1)	1438370	-----	LBHB,LH2,QBH,QBHS,QBLS,QBS,SWE2,SWX2 LH,LHB5,LHP1,LP,LT,LXE9,PX,QH,QHB3,QHB5,QHP1,QMH,QX,QXE,QXEK,QXK,SH,SHE SWE,SWX, SX, SXC, SXE, VSP, VTE5, VX, VXE, VVK, VXU1
	13012-Z5R-004	RING SET, PISTON (0.50) (TEIKOKU)	(1)	1450801	-----	QN, QP, QT, QTD, SN
			(1)	1438370	-----	LBHB,LH2,QBH,QBHS,QBLS,QBS,SWE2,SWX2 LH,LHB5,LHP1,LP,LT,LXE9,PX,QH,QHB3,QHB5,QHP1,QMH,QX,QXE,QXEK,QXK,SH,SHE SWE,SWX, SX, SXC, SXE, VSP, VTE5, VX, VXE, VVK, VXU1
	13012-Z5T-003	RING SET, PISTON (0.50)(RIKEN)	(1)	1450801	-----	QN, QP, QT, QTD, SN
			(1)	1438370	-----	LBHB,LH2,QBH,QBHS,QBLS,QBS,SWE2,SWX2 LH,LHB5,LHP1,LP,LT,LXE9,PX,QH,QHB3,QHB5,QHP1,QMH,QX,QXE,QXEK,QXK,SH,SHE SWE,SWX, SX, SXC, SXE, VSP, VTE5, VX, VXE, VVK, VXU1
	13013-Z5R-004	RING SET, PISTON (0.75) (TEIKOKU)	(1)	1450801	-----	QN, QP, QT, QTD, SN
			(1)	1438370	-----	LBHB,LH2,QBH,QBHS,QBLS,QBS,SWE2,SWX2 LH,LHB5,LHP1,LP,LT,LXE9,PX,QH,QHB3,QHB5,QHP1,QMH,QX,QXE,QXEK,QXK,SH,SHE SWE,SWX, SX, SXC, SXE, VSP, VTE5, VX, VXE, VVK, VXU1
	13013-Z5T-003	RING SET, PISTON (0.75)(RIKEN)	(1)	1450801	-----	QN, QP, QT, QTD, SN
			(1)	1438370	-----	LBHB,LH2,QBH,QBHS,QBLS,QBS,SWE2,SWX2 LH,LHB5,LHP1,LP,LT,LXE9,PX,QH,QHB3,QHB5,QHP1,QMH,QX,QXE,QXEK,QXK,SH,SHE SWE,SWX, SX, SXC, SXE, VSP, VTE5, VX, VXE, VVK, VXU1
2	13101-ZF6-W00	PISTON (STD.)	(1)	1	-----	LXE8,LXU,PXE8, PXU, QAA2, QAA6, QA2, QA26, QXE8, QXQ4, QXU, SXE8, SXQ4, VXE8, VX8
	13101-ZF6-810	1	1450800	-----	QN, QP, QT, QTD, SN
	13102-ZF6-W00	PISTON (0.25)	(1)	1	-----	LXE8,LXU,PXE8, PXU, QAA2, QAA6, QA2, QA26, QXE8, QXQ4, QXU, SXE8, SXQ4, VXE8, VX8
			(1)	1438369	-----	LH,LHB5,LHP1,LP,LT,LXE9,PX,QH,QHB3,QHB5,QHP1,QMH,QX,QXE,QXEK,QXK,SH,SHE SN,SWE,SWX, SX, SXC, SXE, VSP, VTE5, VX, VXE, VVK, VXU1
	13102-ZF6-810	(1)	1450800	-----	QN, QP, QT, QTD, SN
	13103-ZF6-W00	PISTON (0.50)	(1)	1	-----	LXE8,LXU,PXE8, PXU, QAA2, QAA6, QA2, QA26, QXE8, QXQ4, QXU, SXE8, SXQ4, VXE8, VX8
			(1)	1438369	-----	LH,LHB5,LHP1,LP,LT,LXE9,PX,QH,QHB3,QHB5,QHP1,QMH,QX,QXE,QXEK,QXK,SH,SHE SN,SWE,SWX, SX, SXC, SXE, VSP, VTE5, VX, VXE, VVK, VXU1
	13103-ZF6-810	(1)	1450800	-----	QN, QP, QT, QTD, SN
	13104-ZF6-W00	PISTON (0.75)	(1)	1	-----	LXE8,LXU,PXE8, PXU, QAA2, QAA6, QA2, QA26, QXE8, QXQ4, QXU, SXE8, SXQ4, VXE8, VX8
			(1)	1438369	-----	LH,LHB5,LHP1,LP,LT,LXE9,PX,QH,QHB3,QHB5,QHP1,QMH,QX,QXE,QXEK,QXK,SH,SHE SN,SWE,SWX, SX, SXC, SXE, VSP, VTE5, VX, VXE, VVK, VXU1
	13104-ZF6-810	(1)	1450800	-----	QN, QP, QT, QTD, SN
	13101-ZF6-W01	PISTON (STD.)	1	-----	-----	LH2,SWE2,SWX2
	13101-ZF6-811	1	-----	-----	QBLS
	13101-Z5T-000	1	1450801	-----	QN, QP, QT, QTD, SN
			1	1438370	-----	LBHB,QBH,QBHS,QBS LH,LHB5,LHP1,LP,LT,LXE9,PX,QH,QHB3,QHB5,QHP1,QMH,QX,QXE,QXEK,QXK,SH,SHE SWE,SWX, SX, SXC, SXE, VSP, VTE5, VX, VXE, VVK, VXU1
	13102-ZF6-W01	PISTON (0.25)	(1)	-----	-----	LH2,SWE2,SWX2
	13102-ZF6-811	(1)	-----	-----	QBLS
	13102-Z5T-000	(1)	1450801	-----	QN, QP, QT, QTD, SN
			(1)	1438370	-----	LBHB,QBH,QBHS,QBS LH,LHB5,LHP1,LP,LT,LXE9,PX,QH,QHB3,QHB5,QHP1,QMH,QX,QXE,QXEK,QXK,SH,SHE SWE,SWX, SX, SXC, SXE, VSP, VTE5, VX, VXE, VVK, VXU1
	13103-ZF6-W01	PISTON (0.50)	(1)	-----	-----	LH2,SWE2,SWX2
	13103-ZF6-811	(1)	-----	-----	QBLS
			(1)	1450801	-----	QN, QP, QT, QTD, SN



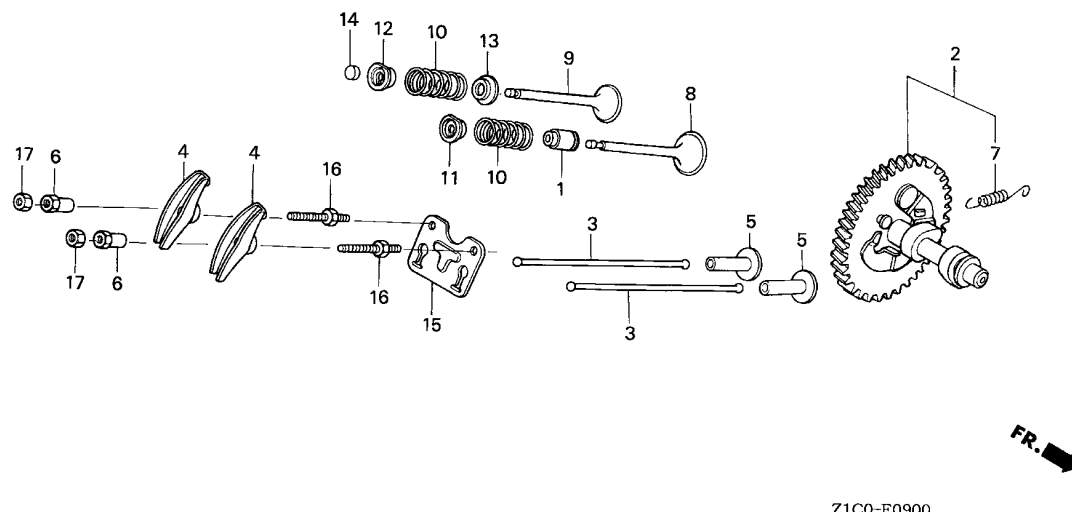
Z1C0-E0800

2

Ref. No.	Part No.	Description	Reqd. QTY		Serial No.	Parts catalogue code
			GX 390 T1			
(2)	13103-Z5T-000	PISTON (0.50)	(1)			LBHB,QBH,QBHS,QBS
			(1)	1438370		LH,LHB5,LHP1,LP,LT,LXE9,PX,QH,QHB3,QHB5,QHP1,QMH,QX,QXE,QXEK,QXK,SH,SHE
	13104-ZF6-W01	PISTON (0.75)	(1)			SWE,SWX,SX,SXC,SXE,VSP,VTE5,VX,VXE,VXK,VXU1
	13104-ZF6-811		(1)			LH2,SWE2,SWX2
			(1)			QBLS
	13104-Z5T-000		(1)	1450801		QN,QP,QT,QTD,SN
			(1)			LBHB,QBH,QBHS,QBS
			(1)	1438370		LH,LHB5,LHP1,LP,LT,LXE9,PX,QH,QHB3,QHB5,QHP1,QMH,QX,QXE,QXEK,QXK,SH,SHE
			(1)			SWE,SWX,SX,SXC,SXE,VSP,VTE5,VX,VXE,VXK,VXU1
3	13111-ZF6-W00	PIN, PISTON	1			
4	13200-Z1C-000	ROD ASSY., CONNECTING (STD.)	1			LBHB,LH,LHB5,LHP1,LH2,LT,LXE8,LXE9,LXU,PX,PXE8,PXU,QAA2,QAA6,QA2,QA26,QBH
						QBHS,QBLS,QBS,QH,QHB3,QHB5,QHP1,QMH,QN,QP,QT,QTD,QX,QXE,QXEK,QXE8,QXK
						QXQ4,QXU,SH,SHE,SN,SWE,SWE2,SWX,SWX2,SX,SXC,SXE,SXE8,SXQ4,VSP,VTE5,VX,VXE
						VXE8,VXK,VXU1,VX8
	13200-ZF6-000	ROD ASSY., CONNECTING	1			LP
	13200-Z1C-305	ROD ASSY., CONNECTING (0.25 UNDER SIZE)	(1)			LBHB,LH,LHB5,LHP1,LH2,LT,LXE8,LXE9,LXU,PX,PXE8,PXU,QAA2,QAA6,QA2,QA26,QBH
						QBHS,QBLS,QBS,QH,QHB3,QHB5,QHP1,QMH,QN,QP,QT,QTD,QX,QXE,QXEK,QXE8,QXK
						QXQ4,QXU,SH,SHE,SN,SWE,SWE2,SWX,SWX2,SX,SXC,SXE,SXE8,SXQ4,VSP,VTE5,VX,VXE
						VXE8,VXK,VXU1,VX8
5	13215-ZF6-003	BEARING A, CONNECTING ROD (BLUE)	2			LP
	13216-ZF6-003	BEARING B, CONNECTING ROD (BLACK)	2			LP
	13217-ZF6-003	BEARING C, CONNECTING ROD (BROWN)	2			LP
	13218-ZF6-003	BEARING D, CONNECTING ROD (GREEN)	2			LP



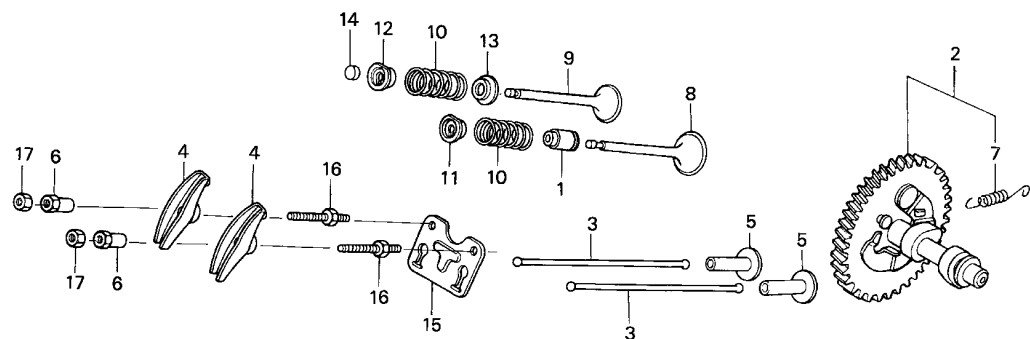
Ref. No.	Part No.	Description	Reqd. QTY		Serial No.	Parts catalogue code
			GX	390		
6	90001-ZE8-000	BOLT, CONNECTING ROD	2		-----	LBHB,LH,LHB5,LHP1,LH2,LT,LXE8,LXE9,LXU,PX,PXE8,PXU,QAA2,QAA6,QA2,QA26,QBH QBHS,QBLS,QBS,QH,QHB3,QHB5,QHP1,QMH,QN,QP,QT,QTD,QX,QXE,QXEK,QXE8,QXK QXQ4,QXU,SH,SHE,SN,SWE,SWE2,SWX,SWX2,SX,SXC,SXE,SXE8, SXQ4,VSP,VTE5,VX,VXE VXE8,VXK,VXU1,VX8
	90001-ZF6-003	2		-----	LP
7	90601-ZE3-000	CLIP, PISTON PIN, 20MM	2		-----	



Z1C0-E0900

Ref. No.	L.O.N.	(Relative ref. Number) Description	F.R.T.
1	1111K2	SEAL, INTAKE VALVE STEMINCLUDES: Valve clearance adjustment	0.6
2	1111C2	CAMSHAFT	0.4
3	1111L6	ROD, PUSH :INTAKE	0.2
		.INCLUDES: Valve clearance adjustment	
	1111L6A	.Replace exhaust push rod add	0.1
	1111L7	ROD, PUSH :EXHAUST	0.2
		.INCLUDES: Valve clearance adjustment	
	1111L7A	.Replace intake push rod add	0.1
4	1111A2	ARM, ROCKER :INTAKE	0.2
		.INCLUDES: Valve clearance adjustment	
	1111A2A	.Replace exhaust rocker arm add	0.1
	1111A1	ARM, ROCKER :EXHAUST	0.2
		.INCLUDES: Valve clearance adjustment	
	1111A1A	.Replace intake rocker arm add	0.1
5	1111L9	LIFTER, VALVE :INTAKE	0.4
+		.NOTE: Same time for two units	

Ref. No.	Part No.	Description	Reqd. QTY	Serial No.	Parts catalogue code
			GX 390 T1		
1	12209-ZE8-003	SEAL, VALVE STEM	1		
2	14100-ZF6-L02	CAMSHAFT ASSY.	1	-----	LP
	14100-ZF6-W01	1	-----	LH,LHB5,LHP1,LH2,LT,LXE8,LXE9,LXU,PX,PXE8,PXU,QAA2,QAA6,QA2,QA26,QBLS,QBS,QH,QHB3,QHB5,QHP1,QMH,QN,QP,QT,QTD,QX,QXE,QXEK,QXE8,QXK,QXQ4,QXU,SH,SHE,SN,SWE,SWE2,SWX,SWX2,SX,SXC,SXE,SXE8,SXQ4,VSP,VTE5,VX,VXE,VXE8,VXK,VXU1,VX8
	14100-Z1C-800	1	-----	LBHB,QBH,QBHS
3	14410-Z1C-000	ROD, PUSH	2		
4	14431-ZE2-010	ARM, VALVE ROCKER	2		
5	14441-ZE2-000	LIFTER, VALVE	2		
6	14451-ZE1-013	PIVOT, ROCKER ARM	2		
7	14568-ZE1-000	SPRING, WEIGHT RETURN	1	-----	LH,LHB5,LHP1,LH2,LT,LXE8,LXE9,LXU,PX,PXE8,PXU,QAA2,QAA6,QA2,QA26,QBLS,QBS,QH,QHB3,QHB5,QHP1,QMH,QN,QP,QT,QTD,QX,QXE,QXEK,QXE8,QXK,QXQ4,QXU,SH,SHE,SN,SWE,SWE2,SWX,SWX2,SX,SXC,SXE,SXE8,SXQ4,VSP,VTE5,VX,VXE,VXE8,VXK,VXU1,VX8
	14568-ZE3-790	1	-----	LP
	14568-Z1C-800	1	-----	LBHB,QBH,QBHS
8	14711-ZE3-000	VALVE, IN.	1	-----	LH,LHB5,LHP1,LH2,LP,LT,LXE8,LXE9,LXU,PX,PXE8,PXU,QAA2,QAA6,QA2,QA26,QBLS,QBS,QH,QHB3,QHB5,QHP1,QMH,QN,QP,QT,QTD,QX,QXE,QXEK,QXE8,QXK,QXQ4,QXU,SH,SHE,SN,SWE,SWE2,SWX,SWX2,SX,SXC,SXE,SXE8,SXQ4,VSP,VTE5,VX,VXE,VXE8,VXK,VXU1,VX8
	14711-Z1C-800	1	-----	LBHB,QBH,QBHS
9	14721-ZE3-000	VALVE, EX.	1	-----	LBHB,LH,LHB5,LHP1,LH2,LT,LXE8,LXE9,LXU,PX,PXE8,PXU,QAA2,QAA6,QA2,QA26,QBHS,QBLS,QBS,QH,QHB3,QHB5,QHP1,QMH,QN,QP,QT,QTD,QX,QXE,QXEK,QXE8,QXK,QXQ4,QXU,SH,SHE,SN,SWE,SWE2,SWX,SWX2,SX,SXC,SXE,SXE8,SXQ4,VSP,VTE5,VX,VXE,VXE8,VXK,VXU1,VX8
	14721-ZK6-800	1	-----	LP
10	14751-Z1C-000	SPRING, VALVE	2		

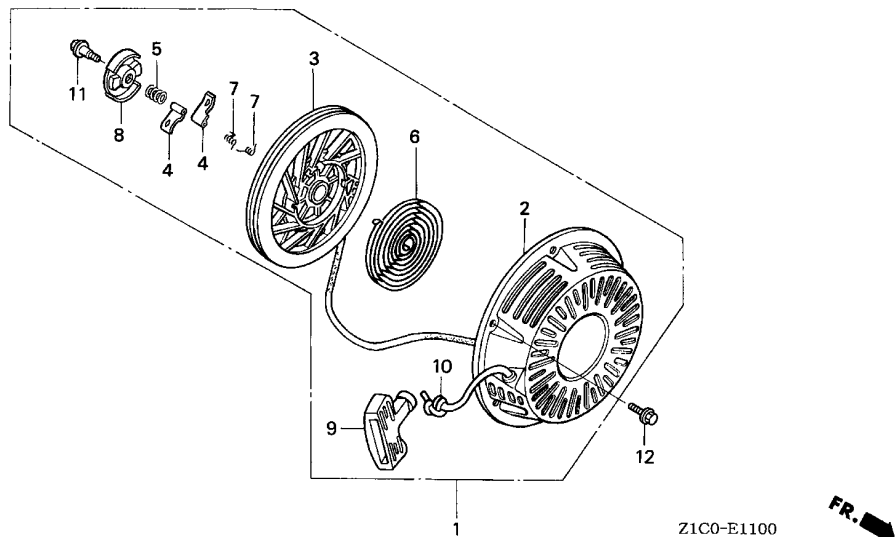


Z1C0-E0900

Ref. No.	L.O.N.	(Relative ref. Number) Description	F.R.T.
+ 5	1111M0	LIFTER, VALVE :EXHAUSTNOTE: Same time for two units	0.4
8	1111L1	VALVE, INTAKEINCLUDES: Valve clearance adjustment and reface	0.7
	1111L1E	.Replace intake and exhaust all add	0.1
9	1111L0	VALVE, EXHAUSTINCLUDES: Valve clearance adjustment and reface	0.7
	1111L0E	.Replace intake and exhaust all add	0.1
10	1111P3	SPRING, VALVE :INTAKEINCLUDES: Valve clearance adjustment	0.6
	1111P3A	.Replace intake and exhaust all add	0.1
	1111P4	SPRING, VALVE :EXHAUSTINCLUDES: Valve clearance adjustment	0.6
	1111P4A	.Replace intake and exhaust all add	0.1
14	1111J7	ROTATOR, VALVEINCLUDES: Valve clearance adjustment	0.2

Ref. No.	Part No.	Description	Reqd. QTY	Serial No.	Parts catalogue code
			GX 390 T1		
11	14771-ZE2-000	RETAINER, IN. VALVE SPRING ..	1		
12	14773-ZE2-000	RETAINER, EX. VALVE SPRING ..	1		
13	14775-ZE2-010	SEAT, VALVE SPRING	1		
14	14781-ZE2-000	ROTATOR, VALVE	1		
15	14791-ZE2-010	PLATE, PUSH ROD GUIDE	1		
16	90012-ZE0-010	BOLT, PIVOT, 8MM	2		
17	90206-ZE1-000	NUT, PIVOT ADJUSTING	2		



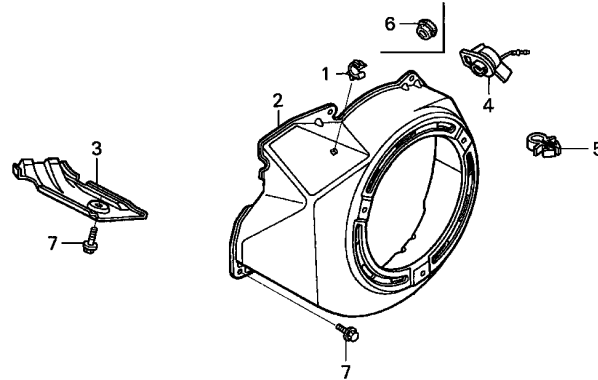


Ref. No.	L.O.N.	(Relative ref. Number) Description	F.R.T.
1	1121B9	STARTER, RECOIL	0.1
3	1121B1	REEL, RECOIL STARTER	0.3
4	1121B0	RATCHET, STARTER AND/OR SPRING, RATCHET	0.2
.NOTE: Same time for two units			
6	1121B7	SPRING, RECOIL STARTER RETURN (5)	0.3
8	1121B2	RETAINER, SPRING	0.2
10	1121B3	ROPE, RECOIL STARTER	0.3

Z1C0-E1100



Ref. No.	Part No.	Description	Reqd. QTY	Serial No.	Parts catalogue code
			GX 390 T1		
1	28400-ZE3-W01ZB	STARTER ASSY., RECOIL	1	-----	QAA2,QA2
		NH1.....BLACK	1	-----	LH,LHB5,LHP1,LH2,LP,LT,LXE8,LXE9,LXU,PX,PXE8,PXU,QAA2,QAA6,QA2,QA26,QH
	28400-ZE3-W01ZP	*R280*.....POWER RED	1	-----	QHB3,QHB5,QHP1,QMH,QN,QP,QT,QTD,QX,QXE,QXEK,QXE8,QXK,QXQ4,QXU,SH,SHE,SN
	28400-Z1C-801ZA	*R280*.....POWER RED	1	-----	SWE,SWE2,SWX,SWX2,SX,SXC,SXE,SXE8,SXQ4,VSP,VTE5,VX,VXE,VXE8,VXK,VXU1,VX8
2	28410-ZE3-W01ZB	CASE COMP., RECOIL STARTER	1	-----	LBHB,QBH,QBHS,QBLS,QBS
		NH1.....BLACK	1	-----	QAA2,QA2
	28410-ZE3-W01ZP	*R280*.....POWER RED	1	-----	LH,LHB5,LHP1,LH2,LP,LT,LXE8,LXE9,LXU,PX,PXE8,PXU,QAA2,QAA6,QA2,QA26,QH
				-----	QHB3,QHB5,QHP1,QMH,QN,QP,QT,QTD,QX,QXE,QXEK,QXE8,QXK,QXQ4,QXU,SH,SHE,SN
				-----	SWE,SWE2,SWX,SWX2,SX,SXC,SXE,SXE8,SXQ4,VSP,VTE5,VX,VXE,VXE8,VXK,VXU1,VX8
3	28421-ZE3-W01	PULLEY, RECOIL STARTER	1	-----	
4	28422-ZE2-W01	RATCHET, STARTER	2	-----	
5	28441-ZE2-W01	SPRING, FRICTION	1	-----	
6	28442-ZE2-W01	SPRING, STARTER RETURN	1	-----	
7	28443-ZE2-W01	SPRING, RATCHET	2	-----	
8	28444-ZE2-W01	RETAINER, SPRING	1	-----	
9	28461-ZE2-W02	GRIP, STARTER	1	-----	
10	28462-ZE3-W01	ROPE, RECOIL STARTER	1	-----	LH,LHB5,LHP1,LH2,LP,LT,LXE8,LXE9,LXU,PX,PXE8,PXU,QAA2,QAA6,QA2,QA26,QH
				-----	QHB3,QHB5,QHP1,QMH,QN,QP,QT,QTD,QX,QXE,QXEK,QXE8,QXK,QXQ4,QXU,SH,SHE,SN
				-----	SWE,SWE2,SWX,SWX2,SX,SXC,SXE,SXE8,SXQ4,VSP,VTE5,VX,VXE,VXE8,VXK,VXU1,VX8
11	90004-ZE2-W01	SCREW, CENTER	1	-----	
12	90008-ZE2-003	BOLT, FLANGE, 6X10	3	-----	LH,LHB5,LHP1,LH2,LP,LT,LXE8,LXE9,LXU,PX,PXE8,PXU,QAA2,QAA6,QA2,QA26,QH
				-----	QHB3,QHB5,QHP1,QMH,QN,QP,QT,QTD,QX,QXE,QXEK,QXE8,QXK,QXQ4,QXU,SH,SHE,SN
				-----	SWE,SWE2,SWX,SWX2,SX,SXC,SXE,SXE8,SXQ4,VSP,VTE5,VX,VXE,VXE8,VXK,VXU1,VX8
	90001-Z0T-800	3	-----	LBHB,QBH,QBHS,QBLS,QBS



Z1C0-E1200

Ref. No.	L.O.N.	(Relative ref. Number) Description	F.R.T.
2	1141G8	COVER, ENGINE COOLING FAN	0.2
4	6151D9	SWITCH, ENGINE STOP	0.2

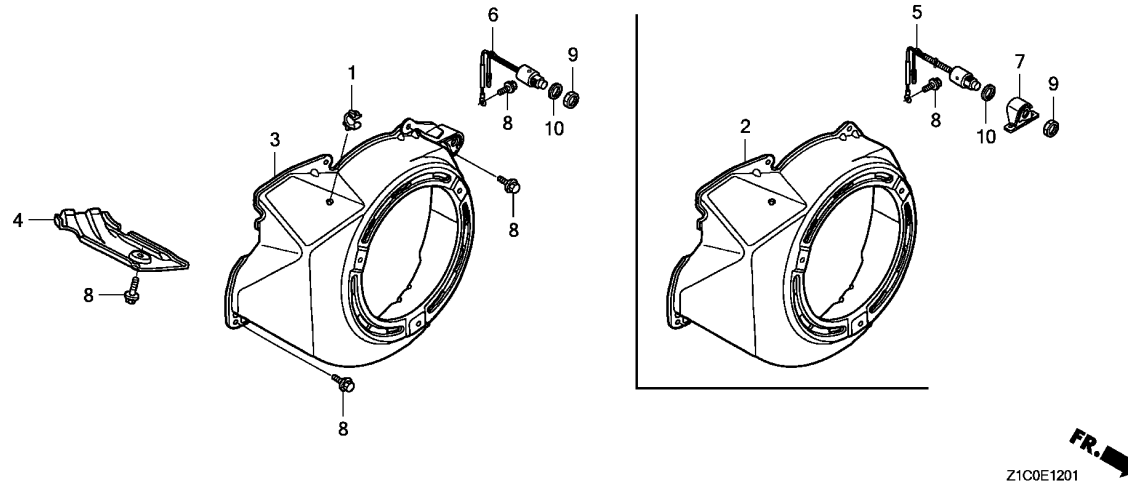
Ref. No.	Part No.	Description	Reqd. QTY	Serial No.	Parts catalogue code
			GX 390 T1		
1	16731-ZE2-003	CLIP, TUBE	1	-----	LH,LHB5,LHP1,LH2,LP,LT,LXE8,LXE9,LXU,PX,PXE8,PXU,QAA2,QAA6,QA2,QA26,QH,QHB3,QHB5,QHP1,QMH,QN,QP,QT,QTD,QX,QXE,QXEK,QXE8,QXK,QXQ4,QXU,SH,SHE,SN,SWE,SWE2,SWX,SWX2,SX,SXC,SXE,SXE8,SXQ4,VSP,VTE5,VX,VXE,VXE8,VXK,VXU1,VX8
2	19610-ZE3-010ZB	COVER COMP., FAN	1	-----	QAA2,QA2
	19610-ZE3-010ZL	*NH1*.....BLACK *R280*.....POWER RED	1	-----	LH,LHB5,LHP1,LH2,LP,LT,LXE8,LXE9,LXU,PX,PXE8,PXU,QAA2,QAA6,QA2,QA26,QH,QHB3,QHB5,QHP1,QMH,QN,QP,QT,QTD,QX,QXE,QXEK,QXE8,QXK,QXQ4,QXU,SH,SHE,SN,SWE,SWE2,SWX,SWX2,SX,SXC,SXE,SXE8,SXQ4,VSP,VTE5,VX,VXE,VXE8,VXK,VXU1,VX8
3	19631-ZE3-W00	SHROUD	1	-----	LH,LHB5,LHP1,LH2,LP,LT,LXE8,LXE9,LXU,PX,PXE8,PXU,QAA2,QAA6,QA2,QA26,QH,QHB3,QHB5,QHP1,QMH,QN,QP,QT,QTD,QX,QXE,QXEK,QXE8,QXK,QXQ4,QXU,SH,SHE,SN,SWE,SWE2,SWX,SWX2,SX,SXC,SXE,SXE8,SXQ4,VSP,VTE5,VX,VXE,VXE8,VXK,VXU1,VX8
4	35120-Z0D-V81	SWITCH ASSY., ENGINE STOP ...	1	-----	LH,LHB5,LHP1,LH2,LT,QH,QHB3,QHB5,QHP1,QMH,QN,QP,QT,QTD,SH,SN
	36100-ZF6-P81	1	-----	LXU,PX,PXU,QAA2,QAA6,QA2,QA26,QX,QXK,QXQ4,QXU,SWX,SX,SXC,SXQ4,VSP,VX,VX8
	36100-ZF6-P82	1	-----	SWX2
5	36103-ZE1-000	HOLDER, STOP SWITCH CORD	1	-----	LH,LHB5,LHP1,LH2,LP,LT,LXE8,LXE9,PXE8,QH,QHB3,QHB5,QHP1,QMH,QN,QP,QT,QTD,QXE,QXEK,QXE8,SH,SHE,SN,SWE,SWE2,SXE,SXE8,VTE5,VXE,VXE8,VXK,VXU1
6	81329-567-020	GROMMET, DRAIN HOLE	1	-----	LP,LXE8,LXE9,PXE8,QXE,QXEK,QXE8,SHE,SWE,SWE2,SXE,SXE8,VTE5,VXE,VXE8,VXK,VXU1
7	90013-883-000	BOLT, FLANGE, 6X12(CT200) ...	6	-----	LH,LHB5,LHP1,LH2,LP,LT,LXE8,LXE9,LXU,PX,PXE8,PXU,QAA2,QAA6,QA2,QA26,QH,QHB3,QHB5,QHP1,QMH,QN,QP,QT,QTD,QX,QXE,QXEK,QXE8,QXK,QXQ4,QXU,SH,SHE,SN,SWE,SWE2,SWX,SWX2,SX,SXC,SXE,SXE8,SXQ4,VSP,VTE5,VX,VXE,VXE8,VXK,VXU1,VX8



E-12-1

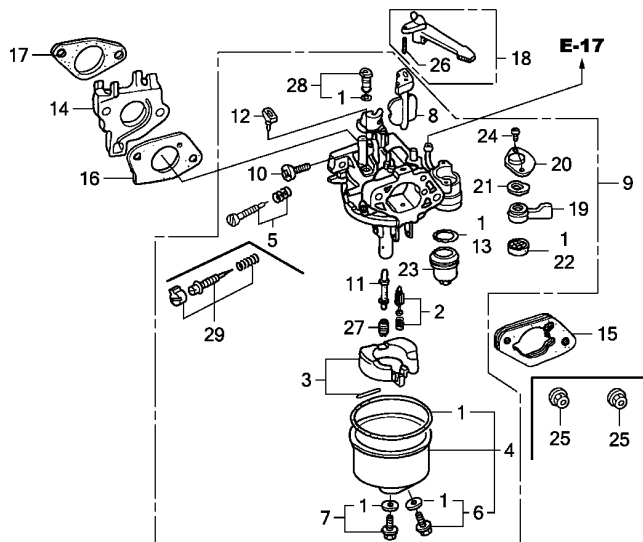
FAN COVER(2)

E 2



Ref. No.	L.O.N.	(Relative ref. Number) Description	F.R.T.
3	(2)		
1141G8	(2)	COVER, ENGINE COOLING FAN	0.2
6	(5)		
6151D9	(5)	SWITCH, ENGINE STOP	0.2

Ref. No.	Part No.	Description	Reqd. QTY	Serial No.	Parts catalogue code
			GX 390 T1		
1	16731-ZE2-003	CLIP, TUBE	1	-----	LBHB,QBH,QBHS,QBLS,QBS
2	19610-Z1C-800ZA	COVER COMP., FAN *R280*.....POWER RED	1	-----	LBHB
3	19610-Z1C-820ZA	COVER COMP., FAN *R280*.....POWER RED	1	-----	QBH,QBHS,QBLS,QBS
4	19631-Z1C-810	SHROUD	1	-----	LBHB,QBH,QBHS,QBLS,QBS
5	35120-Z0V-811	SWITCH ASSY., ENGINE STOP ...	1	-----	LBHB
6	35120-Z0V-821	SWITCH ASSY., ENGINE STOP ...	1	-----	QBH,QBHS,QBLS,QBS
7	35124-Z0T-810	BRACKET COMP., STOP SWITCH (BANKA)	1	-----	LBHB
8	90013-Z0T-810	BOLT, FLANGE, 6X12(CT200) ...	7	-----	LBHB,QBH,QBHS,QBLS,QBS
9	90302-921-000	NUT, HEX., 16MM	1	-----	LBHB,QBH,QBHS,QBLS,QBS
10	90401-Z0T-800	WASHER, 16MM	1	-----	LBHB,QBH,QBHS,QBLS,QBS

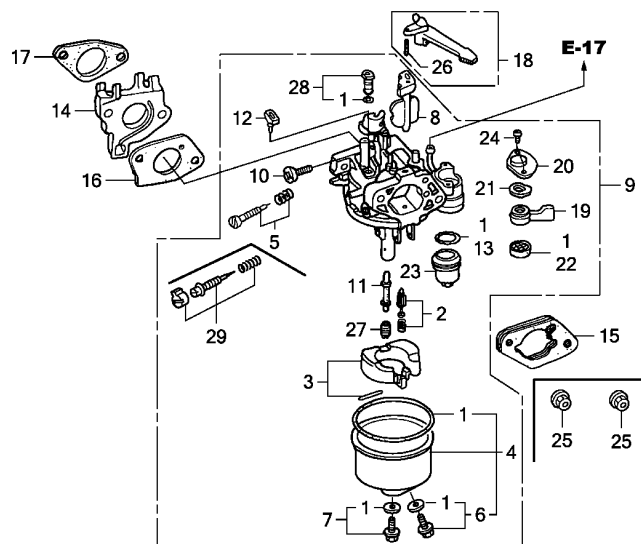


Z1C0E1400D

Ref. No.	L.O.N.	(Relative ref. Number) Description	F.R.T.
1	3111B1	GASKET SET, CARBURETOR (3)	0.3
2	3111E1	VALVE SET, FLOAT AND/OR FLOAT SET (29)	0.3
5	3111D7	SCREW SET, PILOT	0.2
9	3111F3	CARBURETOR (23)	0.2
13	3101L6	PACKING, FUEL STRAINER CUP (17)	0.2
14	3111C0	INSULATOR, CARBURETOR AND/OR PACKING, INSULATOR	0.2
16	3111C8	PACKING, CARBURETOR	0.2
18	8101F9	LEVER, CARBURETOR CHOKE (19,20,21)	0.2
22	3101C5	PACKING, FUEL COCK (11)	0.2
27	3111C3	JET, MAIN	0.3

Ref. No.	Part No.	Description	Reqd. QTY	Serial No.	Parts catalogue code
			GX 390 T1		
1	16010-ZE2-015	GASKET SET (EXCEPT 16173-001-004)	1	-----	LBHB,LT,QBH,QBHS,QBLS,QBS,QN,QP,QT,QTD,SWE,SWE2,SWX,SWX2,VTE5
	16010-ZE2-812	GASKET SET (INCLUDE 16173-001-004)	1	-----	LH,LHB5,LHP1,LH2,LP,LXE8,LXE9,LXU,PX,PXE8,PXU,QAA2,QAA6,QA2,QA26,QH,QHB3,QHB5,QHP1,QMH,QX,QXE,QXEK,QXE8,QXK,QXQ4,QXU,SH,SHE,SX,SXC,SXE,SXE8,SXQ4,VSP,VX,VXE,VXE8,VXK,VXU1,VX8
2	16011-ZA0-931	VALVE SET, FLOAT	1	-----	LBHB,LH,LHB5,LHP1,LH2,LP,LT,LXE8,LXE9,LXU,PX,PXE8,PXU,QAA2,QAA6,QA2,QA26,QBH,QBHS,QBLS,QBS,QH,QHB3,QHB5,QHP1,QMH,QN,QP,QT,QTD,QX,QXE,QXEK,QXE8,QXK,QXQ4,QXU,SH,SHE,SWE,SWE2,SWX,SWX2,SX,SXC,SXE,SXE8,SXQ4,VSP,VTE5,VX,VXE,VXE8,VXK,VXU1,VX8
3	16013-Z1C-003	FLOAT SET	1	-----	LBHB,LH,LHB5,LHP1,LH2,LP,LT,LXE8,LXE9,LXU,PX,PXE8,PXU,QAA2,QAA6,QA2,QA26,QBH,QBHS,QBLS,QBS,QH,QHB3,QHB5,QHP1,QMH,QN,QP,QT,QTD,QX,QXE,QXEK,QXE8,QXK,QXQ4,QXU,SH,SHE,SWE,SWE2,SWX,SWX2,SX,SXC,SXE,SXE8,SXQ4,VSP,VTE5,VX,VXE,VXE8,VXK,VXU1,VX8
4	16015-ZE8-005	CHAMBER SET, FLOAT	1	-----	LH,LHB5,LHP1,LH2,LP,LT,LXE8,LXE9,LXU,PX,PXE8,PXU,QAA2,QAA6,QA2,QA26,QH,QHB3,QHB5,QHP1,QMH,QN,QP,QT,QTD,QX,QXE,QXEK,QXE8,QXK,QXQ4,QXU,SH,SHE,SWE,SWE2,SWX,SWX2,SX,SXC,SXE,SXE8,SXQ4,VSP,VTE5,VX,VXE,VXE8,VXK,VXU1,VX8
	16015-Z1C-801	1	-----	LBHB,QBH,QBHS,QBLS,QBS
5	16016-ZE0-005	SCREW SET, PILOT	1	-----	LP,LT,QN,QP,QT,QTD,SWE,SWE2,SWX,SWX2,VTE5
	16016-ZF6-005	SCREW SET	1	-----	LBHB,LH,LHB5,LHP1,LH2,LXE8,LXE9,LXU,PX,PXE8,PXU,QBH,QBHS,QBLS,QBS,QH,QHB3,QHB5,QHP1,QMH,QX,QXE,QXEK,QXE8,QXK,QXU,SH,SHE,SX,SXC,SXE,SXE8,VX,VXE,VXE8,VXK,VXU1,VX8
6	16024-ZE1-811	SCREW SET, DRAIN	1	-----	LH,LHB5,LHP1,LH2,LP,LT,LXE8,LXE9,LXU,PX,PXE8,PXU,QAA2,QAA6,QA2,QA26,QH,QHB3,QHB5,QHP1,QMH,QN,QP,QT,QTD,QX,QXE,QXEK,QXE8,QXK,QXQ4,QXU,SH,SHE,SWE,SWE2,SWX,SWX2,SX,SXC,SXE,SXE8,SXQ4,VSP,VTE5,VX,VXE,VXE8,VXK,VXU1,VX8
	16024-Z0T-841	1	-----	LBHB,QBH,QBHS,QBLS,QBS

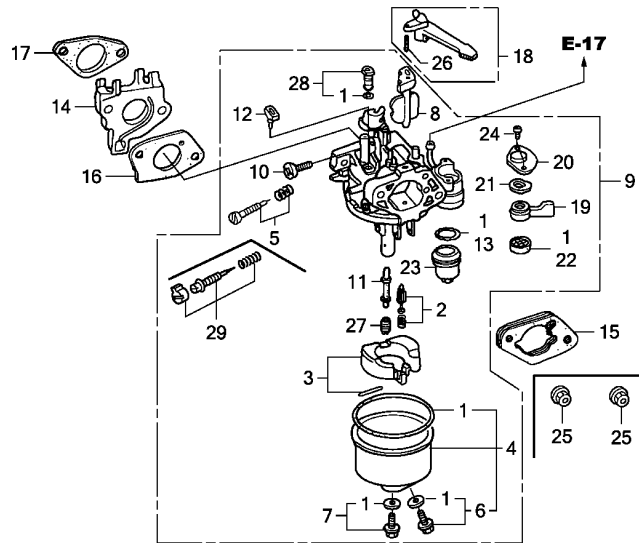




FR. Z1C0E1400D

Ref. No.	Part No.	Description	Reqd. QTY	Serial No.	Parts catalogue code
			GX 390 T1		
7	16028-ZE0-005	SCREW SET	1	-----	LH,LHB5,LHP1,LH2,LP,LT,LXE8,LXE9,LXU,PX,PXE8,PXU,QAA2,QAA6,QA2,QA26,QH,QHB3,QHB5,QHP1,QMH,QN,QP,QT,QTD,QX,QXE,QXEK,QXE8,QXK,QXQ4,QXU,SH,SHE,SWE,SWE2,SWX,SWX2,SX,SXC,SXE,SXE8,SXQ4,VSP,VTE5,VX,VXE,VXE8,VXK,VXU1,VX8
	16028-Z0T-841	1	-----	LBHB,QBH,QBHS,QBLS,QBS
8	16044-ZE3-W20	CHOKE SET	1	-----	LBHB,LH,LHB5,LHP1,LH2,LP,LT,LXE8,LXE9,LXU,PX,PXE8,PXU,QAA2,QAA6,QA2,QA26,QBH,QBHS,QBLS,QBS,QH,QHB3,QHB5,QHP1,QMH,QN,QP,QT,QTD,QX,QXE,QXEK,QXE8,QXK,QXQ4,QXU,SH,SHE,SWE,SWE2,SWX,SWX2,SX,SXC,SXE,SXE8,SXQ4,VSP,VTE5,VX,VXE,VXE8,VXK,VXU1,VX8
9	16100-Z1C-W31	CARBURETOR ASSY. (BE85N A) ..	1	-----	LT,QN,QP,QT,QTD,SWE,SWE2,SWX,SWX2,VTE5
	16100-Z1C-Y31	CARBURETOR ASSY. (BE85P A) ..	1	-----	LP
	16100-Z1C-601	CARBURETOR ASSY. (BE85K A) ..	1	-----	LH,LHB5,LHP1,LH2,LXE8,LXE9,LXU,PX,PXE8,PXU,QH,QHB3,QHB5,QHP1,QMH,QX,QXE,QXEK,QXE8,QXK,QXU,SH,SHE,SX,SXC,SXE,SXE8
	16100-Z1C-651	CARBURETOR ASSY. (BE85M A) ..	1	-----	VX,VXE,VXE8,VXK,VXU1,VX8
	16100-Z1C-V01	CARBURETOR ASSY. (BE85Q A) ..	1	-----	QAA2,QAA6,QA2,QA26,QXQ4,SXQ4
	16100-Z1C-V51	CARBURETOR ASSY. (BE85L A) ..	1	-----	VSP
	16100-Z1C-801	CARBURETOR ASSY. (BE85W A) ..	1	-----	LBHB,QBH,QBHS
	16100-Z1C-811	CARBURETOR ASSY. (BE85Y A) ..	1	-----	QBLS,QBS
10	16124-ZE0-005	SCREW, THROTTLE STOP	1	-----	LBHB,LH,LHB5,LHP1,LH2,LP,LT,LXE8,LXE9,LXU,PX,PXE8,PXU,QAA2,QAA6,QA2,QA26,QBH,QBHS,QBLS,QBS,QH,QHB3,QHB5,QHP1,QMH,QN,QP,QT,QTD,QX,QXE,QXEK,QXE8,QXK,QXQ4,QXU,SH,SHE,SWE,SWE2,SWX,SWX2,SX,SXC,SXE,SXE8,SXQ4,VSP,VTE5,VX,VXE,VXE8,VXK,VXU1,VX8
11	16166-ZF6-V00	NOZZLE, MAIN	1	-----	LH,LHB5,LHP1,LH2,LXE8,LXE9,LXU,PX,PXE8,PXU,QAA2,QAA6,QA2,QA26,QH,QHB3,QHB5,QHP1,QMH,QX,QXE,QXEK,QXE8,QXK,QXQ4,QXU,SH,SHE,SX,SXC,SXE,SXE8,SXQ4,VSP,VX,VXE,VXE8,VXK,VXU1,VX8
	16166-ZF6-W20	1	-----	LP,LT,QBLS,QBS,QN,QP,QT,QTD,SWE,SWE2,SWX,SWX2,VTE5
	16166-Z1C-801	1	-----	LBHB,QBH,QBHS

Ref. No.	Part No.	Description	Reqd. QTY		Serial No.	Parts catalogue code
			GX 390 T1			
12	16172-ZE3-W10	COLLAR, SETTING	1	-----	-----	LH,LHB5,LHP1,LH2,LXE8,LXE9,LXU,PX,PXE8,PXU,QAA2,QAA6,QA2,QA26,QH,QHB3,QHB5,QHP1,QMH,QX,QXE,QXEK,QXE8,QXK,QXQ4,QXU,SH,SHE,SX,SXC,SXE,SXE8,SXQ4,VSP,VX,VXE,VXE8,VXK,VXU1,VX8
13	16173-001-004	PACKING, FUEL STRAINER CUP ..	1	-----	-----	LBHB,LH,LHB5,LHP1,LH2,LP,LT,LXE8,LXE9,LXU,PX,PXE8,PXU,QAA2,QAA6,QA2,QA26,QBH,QBHS,QBLS,QBS,QH,QHB3,QHB5,QHP1,QMH,QN,QP,QT,QTD,QX,QXE,QXEK,QXE8,QXK,QXQ4,QXU,SH,SHE,SWE,SWE2,SWX,SWX2,SX,SXC,SXE,SXE8,SXQ4,VSP,VTE5,VX,VXE,VXE8,VXK,VXU1,VX8
14	16211-ZF6-000	INSULATOR, CARBURETOR	1	-----	-----	LBHB,LH,LHB5,LHP1,LH2,LP,LT,LXE8,LXE9,LXU,PX,PXE8,PXU,QAA2,QAA6,QA2,QA26,QBH,QBHS,QBLS,QBS,QH,QHB3,QHB5,QHP1,QMH,QN,QP,QT,QTD,QX,QXE,QXEK,QXE8,QXK,QXQ4,QXU,SH,SHE,SWE,SWE2,SWX,SWX2,SX,SXC,SXE,SXE8,SXQ4,VSP,VTE5,VX,VXE,VXE8,VXK,VXU1,VX8
15	16220-ZA0-702	SPACER COMP., CARBURETOR	1	-----	-----	LBHB,LH,LHB5,LHP1,LH2,LP,LT,LXE8,LXE9,LXU,PX,PXE8,PXU,QAA2,QAA6,QA2,QA26,QBH,QBHS,QBLS,QBS,QH,QHB3,QHB5,QHP1,QMH,QN,QP,QT,QTD,QX,QXE,QXEK,QXE8,QXK,QXQ4,QXU,SH,SHE,SWE,SWE2,SWX,SWX2,SX,SXC,SXE,SXE8,SXQ4,VSP,VTE5,VX,VXE,VXE8,VXK,VXU1,VX8
16	16221-ZF6-800	PACKING, CARBURETOR	1	-----	-----	LBHB,LH,LHB5,LHP1,LH2,LP,LT,LXE8,LXE9,LXU,PX,PXE8,PXU,QAA2,QAA6,QA2,QA26,QBH,QBHS,QBLS,QBS,QH,QHB3,QHB5,QHP1,QMH,QN,QP,QT,QTD,QX,QXE,QXEK,QXE8,QXK,QXQ4,QXU,SH,SHE,SWE,SWE2,SWX,SWX2,SX,SXC,SXE,SXE8,SXQ4,VSP,VTE5,VX,VXE,VXE8,VXK,VXU1,VX8
17	16223-ZE3-W00	PACKING, INSULATOR	1	-----	-----	LBHB,LH,LHB5,LHP1,LH2,LP,LT,LXE8,LXE9,LXU,PX,PXE8,PXU,QAA2,QAA6,QA2,QA26,QBH,QBHS,QBLS,QBS,QH,QHB3,QHB5,QHP1,QMH,QN,QP,QT,QTD,QX,QXE,QXEK,QXE8,QXK,QXQ4,QXU,SH,SHE,SWE,SWE2,SWX,SWX2,SX,SXC,SXE,SXE8,SXQ4,VSP,VTE5,VX,VXE,VXE8,VXK,VXU1,VX8
18	16610-ZE1-000	LEVER COMP., CHOKE (STD.) ...	1	-----	-----	LBHB,LH,LHB5,LHP1,LH2,LP,LT,LXE8,LXE9,LXU,PX,PXE8,PXU,QAA2,QAA6,QA2,QA26,QBH,QBHS,QBLS,QBS,QH,QHB3,QHB5,QHP1,QMH,QN,QP,QT,QTD,QX,QXE,QXEK,QXE8,QXK,QXQ4,QXU,SH,SHE,SWE,SWE2,SWX,SWX2,SX,SXC,SXE,SXE8,SXQ4,VSP,VTE5,VX,VXE,VXE8,VXK,VXU1,VX8
19	16953-ZE1-812	LEVER, COCK	1	-----	-----	LBHB,LH,LHB5,LHP1,LH2,LP,LT,LXE8,LXE9,LXU,PX,PXE8,PXU,QAA2,QAA6,QA2,QA26,QBH,QBHS,QBLS,QBS,QH,QHB3,QHB5,QHP1,QMH,QN,QP,QT,QTD,QX,QXE,QXEK,QXE8,QXK,QXQ4,QXU,SH,SHE,SWE,SWE2,SWX,SWX2,SX,SXC,SXE,SXE8,SXQ4,VSP,VTE5,VX,VXE,VXE8,VXK,VXU1,VX8
20	16954-ZE1-812	PLATE, LEVER SETTING	1	-----	-----	LBHB,LH,LHB5,LHP1,LH2,LP,LT,LXE8,LXE9,LXU,PX,PXE8,PXU,QAA2,QAA6,QA2,QA26,QBH,QBHS,QBLS,QBS,QH,QHB3,QHB5,QHP1,QMH,QN,QP,QT,QTD,QX,QXE,QXEK,QXE8,QXK,QXQ4,QXU,SH,SHE,SWE,SWE2,SWX,SWX2,SX,SXC,SXE,SXE8,SXQ4,VSP,VTE5,VX,VXE,VXE8,VXK,VXU1,VX8
21	16956-ZE1-811	SPRING, COCK LEVER	1	-----	-----	LBHB,LH,LHB5,LHP1,LH2,LP,LT,LXE8,LXE9,LXU,PX,PXE8,PXU,QAA2,QAA6,QA2,QA26,QBH,QBHS,QBLS,QBS,QH,QHB3,QHB5,QHP1,QMH,QN,QP,QT,QTD,QX,QXE,QXEK,QXE8,QXK,QXQ4,QXU,SH,SHE,SWE,SWE2,SWX,SWX2,SX,SXC,SXE,SXE8,SXQ4,VSP,VTE5,VX,VXE,VXE8,VXK,VXU1,VX8
22	16957-ZE1-812	PACKING, FUEL COCK	1	-----	-----	LBHB,LH,LHB5,LHP1,LH2,LP,LT,LXE8,LXE9,LXU,PX,PXE8,PXU,QAA2,QAA6,QA2,QA26,QBH,QBHS,QBLS,QBS,QH,QHB3,QHB5,QHP1,QMH,QN,QP,QT,QTD,QX,QXE,QXEK,QXE8,QXK,QXQ4,QXU,SH,SHE,SWE,SWE2,SWX,SWX2,SX,SXC,SXE,SXE8,SXQ4,VSP,VTE5,VX,VXE,VXE8,VXK,VXU1,VX8
23	16967-ZE0-811	CUP, FUEL STRAINER	1	-----	-----	LBHB,LH,LHB5,LHP1,LH2,LP,LT,LXE8,LXE9,LXU,PX,PXE8,PXU,QAA2,QAA6,QA2,QA26,QBH,QBHS,QBLS,QBS,QH,QHB3,QHB5,QHP1,QMH,QN,QP,QT,QTD,QX,QXE,QXEK,QXE8,QXK,QXQ4,QXU,SH,SHE,SWE,SWE2,SWX,SWX2,SX,SXC,SXE,SXE8,SXQ4,VSP,VTE5,VX,VXE,VXE8,VXK,VXU1,VX8
24	93500-03006-1H	SCREW, PAN, 3X6	2	-----	-----	LBHB,LH,LHB5,LHP1,LH2,LP,LT,LXE8,LXE9,LXU,PX,PXE8,PXU,QAA2,QAA6,QA2,QA26,QBH,QBHS,QBLS,QBS,QH,QHB3,QHB5,QHP1,QMH,QN,QP,QT,QTD,QX,QXE,QXEK,QXE8,QXK,QXQ4,QXU,SH,SHE,SWE,SWE2,SWX,SWX2,SX,SXC,SXE,SXE8,SXQ4,VSP,VTE5,VX,VXE,VXE8,VXK,VXU1,VX8
25	94050-06000	NUT, FLANGE, 6MM	2	-----	-----	LP



Z1C0E1400D

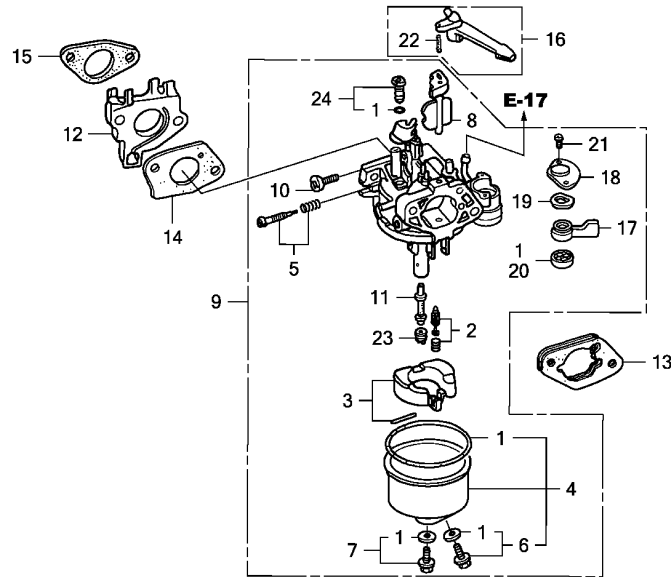


Ref. No.	Part No.	Description	Reqd. QTY	Serial No.	Parts catalogue code
			GX 390 T1		
26	94305-20122	PIN, SPRING, 2X12	1	-----	LBHB,LH,LHB5,LHP1,LH2,LP,LT,LXE8,LXE9,LXU,PX,PXE8,PXU,QAA2,QAA6,QA2,QA26,QBH,QBHS,QBLS,QBS,QH,QHB3,QHB5,QHP1,QMH,QN,QP,QT,QTD,QX,QXE,QXEK,QXE8,QXK,QXQ4,QXU,SH,SHE,SWE,SWE2,SWX,SWX2,SX,SXC,SXE,SXE8,SXQ4,VSP,VTE5,VX,VXE,VXE8,VXK,VXU1,VX8
27	99101-ZH8-0880	JET, MAIN, #88	(1)	-----	LH,LHB5,LHP1,LH2,LXE8,LXE9,LXU,PX,PXE8,PXU,QAA2,QAA6,QA2,QA26,QH,QHB3,QHB5,QHP1,QMH,QX,QXE,QXEK,QXE8,QXK,QXQ4,QXU,SH,SHE,SX,SXC,SXE,SXE8,SXQ4
	99101-ZH8-0900	JET, MAIN, #90	(1)	-----	LH,LHB5,LHP1,LH2,LXE8,LXE9,LXU,PX,PXE8,PXU,QAA2,QAA6,QA2,QA26,QH,QHB3,QHB5,QHP1,QMH,QX,QXE,QXEK,QXE8,QXK,QXQ4,QXU,SH,SHE,SX,SXC,SXE,SXE8,SXQ4
	99101-ZH8-0920	JET, MAIN, #92	1	-----	VSP,VX,VXE,VXE8,VXK,VXU1,VX8
	99101-ZH8-0950	JET, MAIN, #95	(1)	-----	LH,LHB5,LHP1,LH2,LXE8,LXE9,LXU,PX,PXE8,PXU,QAA2,QAA6,QA2,QA26,QH,QHB3,QHB5,QHP1,QMH,QX,QXE,QXEK,QXE8,QXK,QXQ4,QXU,SH,SHE,SX,SXC,SXE,SXE8,SXQ4
	99101-ZH8-0950	JET, MAIN, #95	1	-----	VSP,VX,VXE,VXE8,VXK,VXU1,VX8
	99101-ZH8-1000	JET, MAIN, #100	(1)	-----	VSP,VX,VXE,VXE8,VXK,VXU1,VX8
	99101-ZH8-1020	JET, MAIN, #102	(1)	-----	LT,QBLS,QBS,QN,QP,QT,QTD,SWE,SWE2,SWX,SWX2,VTE5
	99101-ZH8-1050	JET, MAIN, #105	(1)	-----	LT,QBLS,QBS,QN,QP,QT,QTD,SWE,SWE2,SWX,SWX2,VTE5
	99101-ZH8-1100	JET, MAIN, #110	(1)	-----	LBHB,QBH,QBHS
	99101-ZH8-1080	JET, MAIN, #108	(1)	-----	LBHB,LP,QBH,QBHS
	99101-ZH8-1080	JET, MAIN, #108	(1)	-----	LBHB,QBH,QBHS
28	99204-ZA0-0400	JET SET, PILOT, #40	1	-----	LBHB,LP,LT,QBH,QBHS,QBLS,QBS,QN,QP,QT,QTD,SWE,SWE2,SWX,SWX2,VTE5
	99204-ZA0-0450	JET SET, PILOT, #45	1	-----	LH,LHB5,LHP1,LH2,LXE8,LXE9,LXU,PX,PXE8,PXU,QAA2,QAA6,QA2,QA26,QH,QHB3,QHB5,QHP1,QMH,QX,QXE,QXEK,QXE8,QXK,QXQ4,QXU,SH,SHE,SX,SXC,SXE,SXE8,SXQ4
	99204-ZA0-0450	JET SET, PILOT, #45	1	-----	VSP,VX,VXE,VXE8,VXK,VXU1,VX8
29	16016-ZH7-W01	SCREW SET, PILOT	1	-----	QAA2,QAA6,QA2,QA26,QXQ4,VSP

E-14-1

CARBURETOR(2)

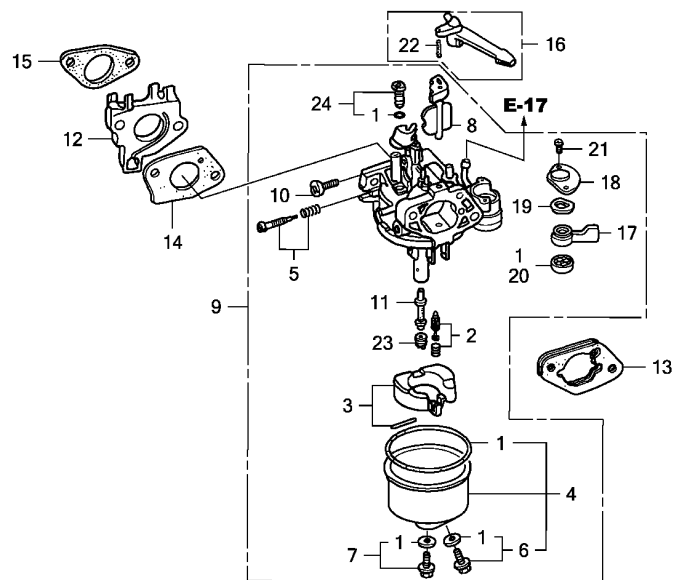
E 7



Ref. No.	L.O.N.	(Relative ref. Number) Description	F.R.T.
1	3111B1	GASKET SET, CARBURETOR (3)	0.3
2	3111E1	VALVE SET, FLOAT AND/OR FLOAT SET	0.3
5	3111D7	SCREW SET, PILOT	0.2
9	3111F3	CARBURETOR (15)	0.2
12	3111C0	INSULATOR, CARBURETOR AND/OR PACKING, INSULATOR	0.2
14	3111C8	PACKING, CARBURETOR	0.2
16	8101F9	LEVER, CARBURETOR CHOKE (17,18,19)	0.2
20	3101C5	PACKING, FUEL COCK (11)	0.2
23	3111C3	JET, MAIN	0.3

Ref. No.	Part No.	Description	Reqd. QTY	Serial No.	Parts catalogue code
			GX 390 T1		
1	16010-ZE2-015	GASKET SET (EXCEPT 16173-001-004)	1	-----	SN
2	16011-ZA0-931	VALVE SET, FLOAT	1	-----	SN
3	16013-Z1C-003	FLOAT SET	1	-----	SN
4	16015-ZE8-005	CHAMBER SET, FLOAT	1	-----	SN
5	16016-ZE0-005	SCREW SET, PILOT	1	-----	SN
6	16024-ZE1-811	SCREW SET, DRAIN	1	-----	SN
7	16028-ZE0-005	SCREW SET	1	-----	SN
8	16044-ZE3-W20	CHOKE SET	1	-----	SN
9	16100-Z1C-W21	CARBURETOR ASSY. (BE86N A)	1	-----	SN
10	16124-ZE0-005	SCREW, THROTTLE STOP	1	-----	SN
11	16166-ZF6-W20	NOZZLE, MAIN	1	-----	SN
12	16211-ZF6-000	INSULATOR, CARBURETOR	1	-----	SN
13	16220-ZA0-702	SPACER COMP., CARBURETOR	1	-----	SN
14	16221-ZF6-800	PACKING, CARBURETOR	1	-----	SN
15	16223-ZE3-W00	PACKING, INSULATOR	1	-----	SN
16	16610-ZE1-000	LEVER COMP., CHOKE (STD.)	1	-----	SN
17	16953-ZE1-812	LEVER, COCK	1	-----	SN
18	16954-ZE1-812	PLATE, LEVER SETTING	1	-----	SN
19	16956-ZE1-811	SPRING, COCK LEVER	1	-----	SN
20	16957-ZE1-812	PACKING, FUEL COCK	1	-----	SN
21	93500-03006-1H	SCREW, PAN, 3X6	2	-----	SN
22	94305-20122	PIN, SPRING, 2X12	1	-----	SN
23	99101-ZH8-1000	JET, MAIN, #100	(1)	-----	SN
	99101-ZH8-1020	JET, MAIN, #102	(1)	-----	SN

2

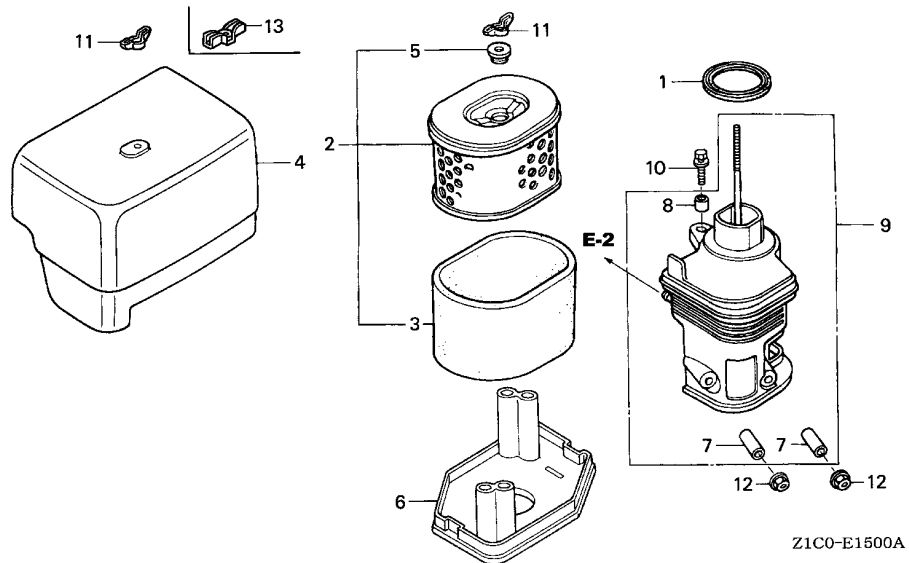


FR. Z1C0E1401A

2

Ref. No.	Part No.	Description	Reqd. QTY		Serial No.	Parts catalogue code
			GX	T1		

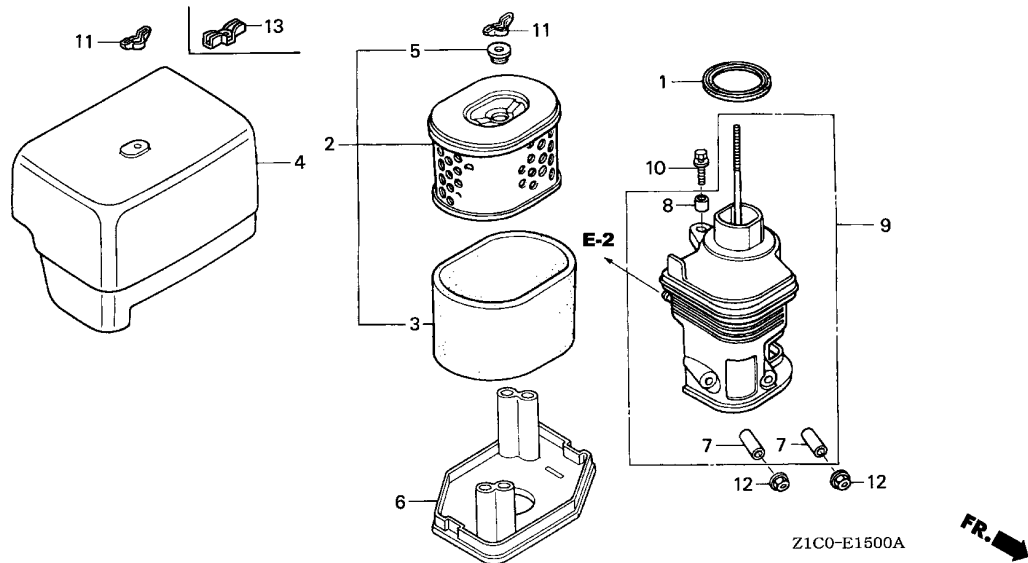
23)	99101-ZH8-1050	JET, MAIN, #105	1		----- SN	
24	99204-ZA0-0400	JET SET, PILOT, #40	1		----- SN	



Ref. No.	L.O.N.	(Relative ref. Number) Description	F.R.T.
1	3121E1	PACKING, ELBOW	0.1
2	3121B8	ELEMENT, AIR CLEANER	0.1
3	3121C1	FILTER, OUTER	0.1
6	3121D6	NOSE, SILENCER	0.1
9	3121B4	ELBOW, AIR CLEANER	0.1

Ref. No.	Part No.	Description	Reqd. QTY		Serial No.	Parts catalogue code
			GX 390 T1			
1	16271-ZE2-010	PACKING, ELBOW	1			LH, LHB5, LHP1, LH2, LXE8, LXE9, LXU, PX, PXE8, PXU, QAA2, QAA6, QA2, QA26, QH, QHB3, QHB5, QHP1, QMH, QN, QX, QXE, QXEK, QXE8, QXK, QXQ4, QXU, SH, SHE, SN, SX, SXC, SXE, SXE8, SXQ4, VSP, VTE5, VX, VXE, VXE8, VXX, VXU1, VX8
2	17210-ZE3-010	ELEMENT, AIR CLEANER	1			LH, LHB5, LHP1, LH2, LXE8, LXE9, LXU, PX, PXE8, PXU, QAA2, QAA6, QA2, QA26, QH, QHB3, QHB5, QHP1, QMH, QN, QX, QXE, QXEK, QXE8, QXK, QXQ4, QXU, SH, SHE, SN, SX, SXC, SXE, SXE8, SXQ4, VSP, VTE5, VX, VXE, VXE8, VXX, VXU1, VX8
3	17218-ZE3-000	FILTER, OUTER	1			LH, LHB5, LHP1, LH2, LXE8, LXE9, LXU, PX, PXE8, PXU, QAA2, QAA6, QA2, QA26, QH, QHB3, QHB5, QHP1, QMH, QN, QX, QXE, QXEK, QXE8, QXK, QXQ4, QXU, SH, SHE, SN, SX, SXC, SXE, SXE8, SXQ4, VSP, VTE5, VX, VXE, VXE8, VXX, VXU1, VX8
4	17231-ZE3-W01	COVER, AIR CLEANER	1			LH, LHB5, LHP1, LH2, LXE8, LXE9, LXU, PX, PXE8, PXU, QAA2, QAA6, QA2, QA26, QH, QHB3, QHB5, QHP1, QMH, QN, QX, QXE, QXEK, QXE8, QXK, QXQ4, QXU, SH, SHE, SN, SX, SXC, SXE, SXE8, SXQ4, VSP, VTE5, VX, VXE, VXE8, VXX, VXU1, VX8
5	17232-891-000	GROMMET, AIR CLEANER	1			LH, LHB5, LHP1, LH2, LXE8, LXE9, LXU, PX, PXE8, PXU, QAA2, QAA6, QA2, QA26, QH, QHB3, QHB5, QHP1, QMH, QN, QX, QXE, QXEK, QXE8, QXK, QXQ4, QXU, SH, SHE, SN, SX, SXC, SXE, SXE8, SXQ4, VSP, VTE5, VX, VXE, VXE8, VXX, VXU1, VX8
6	17235-ZH9-N00	NOSE, SILENCER	1		1248887	LH, LHB5, LHP1, LXE8, LXU, PX, PXE8, PXU, QAA2, QAA6, QA2, QA26, QH, QHB3, QHB5, QHP1, QMH, QX, QXE, QXE8, QXQ4, QXU, SH, SHE, SN, SX, SXC, SXE, SXE8, SXQ4, VTE5, VX, VXE, VXE8, VXU1, VX8
	17235-ZH9-N01	1			LH2, LXE9, QN, QXEK, QXK, VSP, VXX
			1		1248888	LH, LHB5, LHP1, LXE8, LXU, PX, PXE8, PXU, QAA2, QAA6, QA2, QA26, QH, QHB3, QHB5, QHP1, QMH, QX, QXE, QXE8, QXQ4, QXU, SH, SHE, SN, SX, SXC, SXE, SXE8, SXQ4, VTE5, VX, VXE, VXE8, VXU1, VX8
7	17238-ZE2-310	COLLAR, AIR CLEANER	2			LH, LHB5, LHP1, LH2, LXE8, LXE9, LXU, PX, PXE8, PXU, QAA2, QAA6, QA2, QA26, QH, QHB3, QHB5, QHP1, QMH, QN, QX, QXE, QXEK, QXE8, QXK, QXQ4, QXU, SH, SHE, SN, SX, SXC, SXE, SXE8, SXQ4, VSP, VTE5, VX, VXE, VXE8, VXX, VXU1, VX8
8	17239-ZE1-000	COLLAR B, AIR CLEANER	1			LH, LHB5, LHP1, LH2, LXE8, LXE9, LXU, PX, PXE8, PXU, QAA2, QAA6, QA2, QA26, QH, QHB3, QHB5, QHP1, QMH, QN, QX, QXE, QXEK, QXE8, QXK, QXQ4, QXU, SH, SHE, SN, SX, SXC, SXE, SXE8, SXQ4, VSP, VTE5, VX, VXE, VXE8, VXX, VXU1, VX8



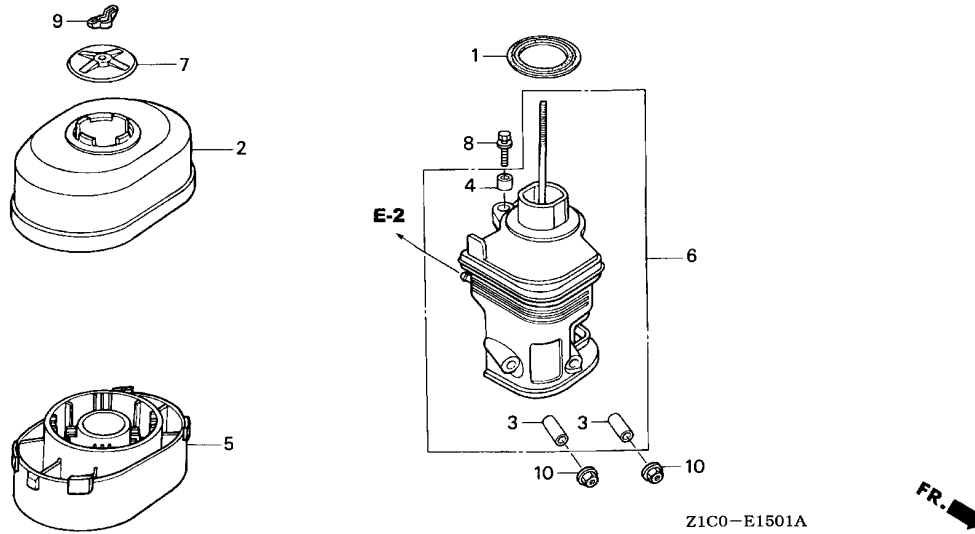


Ref. No.	Part No.	Description	Reqd. QTY		Serial No.	Parts catalogue code
			GX	T1		
9	17410-ZH9-N00	ELBOW COMP., AIR CLEANER	1		-----	LH,LHB5,LHP1,LH2,LXE8,LXE9,LXU,PX,PXE8,PXU,QAA2,QAA6,QA2,QA26,QH,QHB3,QHB5,QHP1,QMH,QN,QX,QXE,QXEK,QXE8,QXK,QXQ4,QXU,SH,SHE,SN,SX,SXC,SXE,SXE8,SXQ4,VSP,VTE5,VX,VXE,VXE8,VXK,VXU1,VX8
10	90009-Z1C-000	BOLT-WASHER, 6X22	1		-----	LH,LHB5,LHP1,LH2,LXE8,LXE9,LXU,PX,PXE8,PXU,QAA2,QAA6,QA2,QA26,QH,QHB3,QHB5,QHP1,QMH,QN,QX,QXE,QXEK,QXE8,QXK,QXQ4,QXU,SH,SHE,SN,SX,SXC,SXE,SXE8,SXQ4,VSP,VTE5,VX,VXE,VXE8,VXK,VXU1,VX8
11	90325-044-000	NUT, TOOL BOX SETTING	1		-----	QAA2,QAA6,QA2,QA26
			2		-----	LH,LHB5,LHP1,LH2,LXE8,LXE9,LXU,PX,PXE8,PXU,QH,QHB3,QHB5,QHP1,QMH,QN,QX,QXE,QXEK,QXE8,QXK,QXQ4,QXU,SH,SHE,SN,SX,SXC,SXE,SXE8,SXQ4,VSP,VTE5,VX,VXE,VXE8,VXK,VXU1,VX8
12	94050-06000	NUT, FLANGE, 6MM	2		-----	LH,LHB5,LHP1,LH2,LXE8,LXE9,LXU,PX,PXE8,PXU,QAA2,QAA6,QA2,QA26,QH,QHB3,QHB5,QHP1,QMH,QN,QX,QXE,QXEK,QXE8,QXK,QXQ4,QXU,SH,SHE,SN,SX,SXC,SXE,SXE8,SXQ4,VSP,VTE5,VX,VXE,VXE8,VXK,VXU1,VX8
13	90203-ZA0-800	NUT, WING, 6MM(BLACK)	1		-----	QAA2,QAA6,QA2,QA26

E-15-1

AIR CLEANER(OIL BATH)

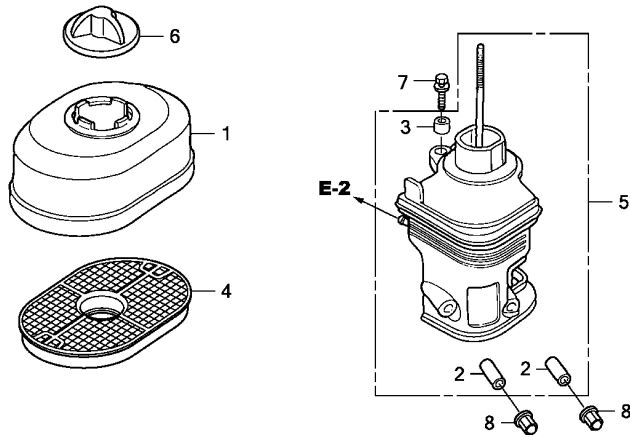
E11



Ref. No.	L.O.N.	(Relative ref. Number) Description	F.R.T.
1	3121E1	PACKING, ELBOW	0.1
5	3121E5	PAN, AIR CLEANER OIL	0.1
6	3121B4	ELBOW, AIR CLEANER	0.1

Ref. No.	Part No.	Description	Reqd. QTY		Serial No.	Parts catalogue code
			GX	390		
1	16271-ZE2-010	PACKING, ELBOW	1		LT, QP, QT, QTD, SWE, SWE2, SWX, SWX2	
2	17230-ZE3-811	COVER COMP., AIR CLEANER (OIL BATH)	1		LT, QP, QT, QTD, SWE, SWE2, SWX, SWX2	
3	17238-ZE2-310	COLLAR, AIR CLEANER	2		LT, QP, QT, QTD, SWE, SWE2, SWX, SWX2	
4	17239-ZE1-000	COLLAR B, AIR CLEANER	1		LT, QP, QT, QTD, SWE, SWE2, SWX, SWX2	
5	17402-ZE3-810	PAN, CLEANER OIL (OIL BATH)	1		LT, QP, QT, QTD, SWE, SWE2, SWX, SWX2	
6	17410-ZE3-010	ELBOW COMP., AIR CLEANER	1		LT, QP, QT, QTD, SWE, SWE2, SWX, SWX2	
7	17420-ZE3-810	CAP COMP., AIR CLEANER	1		LT, QP, QT, QTD, SWE, SWE2, SWX, SWX2	
8	90009-Z1C-000	BOLT-WASHER, 6X22	1		LT, QP, QT, QTD, SWE, SWE2, SWX, SWX2	
9	90325-044-000	NUT, TOOL BOX SETTING	1		LT, QP, QT, QTD, SWE, SWE2, SWX, SWX2	
10	94050-06000	NUT, FLANGE, 6MM	2		LT, QP, QT, QTD, SWE, SWE2, SWX, SWX2	

2



FR. Z1C0E1502

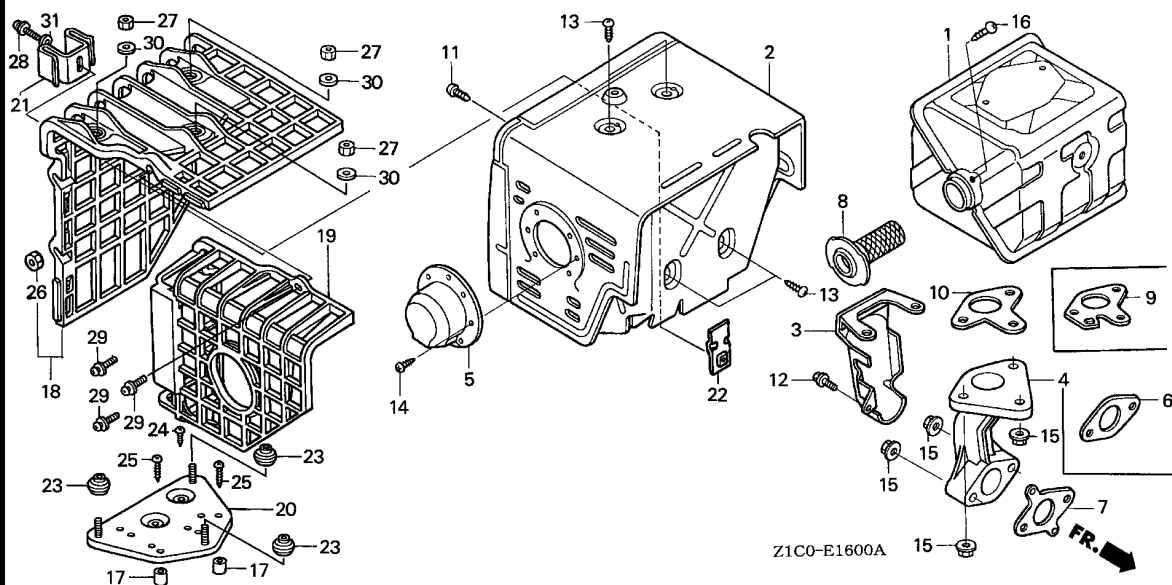
Ref. No.	L.O.N.	(Relative ref. Number) Description	F.R.T.
4	3121Q5	GRID, AIR CLEANER	0.1
5	3121B4	ELBOW, AIR CLEANER	0.1

Ref. No.	Part No.	Description	Reqd. QTY	Serial No.	Parts catalogue code
			GX 390 T1		
1	17231-ZE2-000	COVER, AIR CLEANER (SEMI DRY)	1	-----	LBHB,QBH,QBHS,QBLS,QBS
2	17238-ZE2-310	COLLAR, AIR CLEANER	2	-----	LBHB,QBH,QBHS,QBLS,QBS
3	17239-ZE1-000	COLLAR B, AIR CLEANER	1	-----	LBHB,QBH,QBHS,QBLS,QBS
4	17250-Z1C-810	GRID, AIR CLEANER	1	-----	LBHB,QBH,QBHS,QBLS,QBS
5	17410-ZE2-020	ELBOW COMP., AIR CLEANER	1	-----	LBHB,QBH,QBHS,QBLS,QBS
6	17420-Z0T-800	CAP COMP., AIR CLEANER	1	-----	LBHB,QBH,QBHS,QBLS,QBS
7	90001-Z0V-800	BOLT, FLANGE, 6X18	1	-----	LBHB,QBH,QBHS,QBLS,QBS
8	90304-438-000	NUT, CAP, 6MM	2	-----	LBHB,QBH,QBHS,QBLS,QBS

E-16

MUFFLER(1)

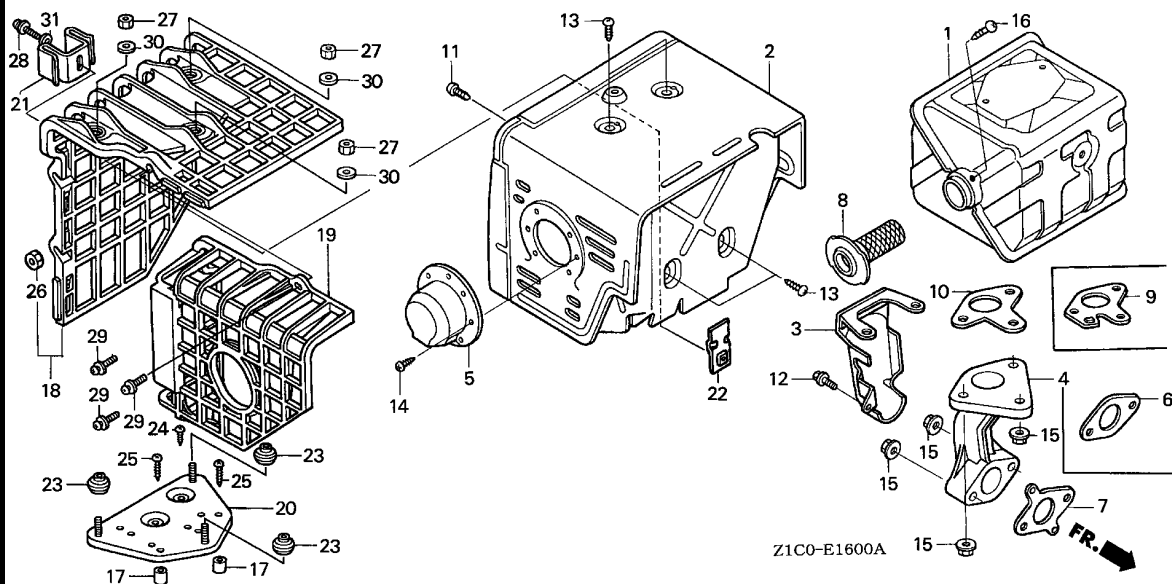
E13



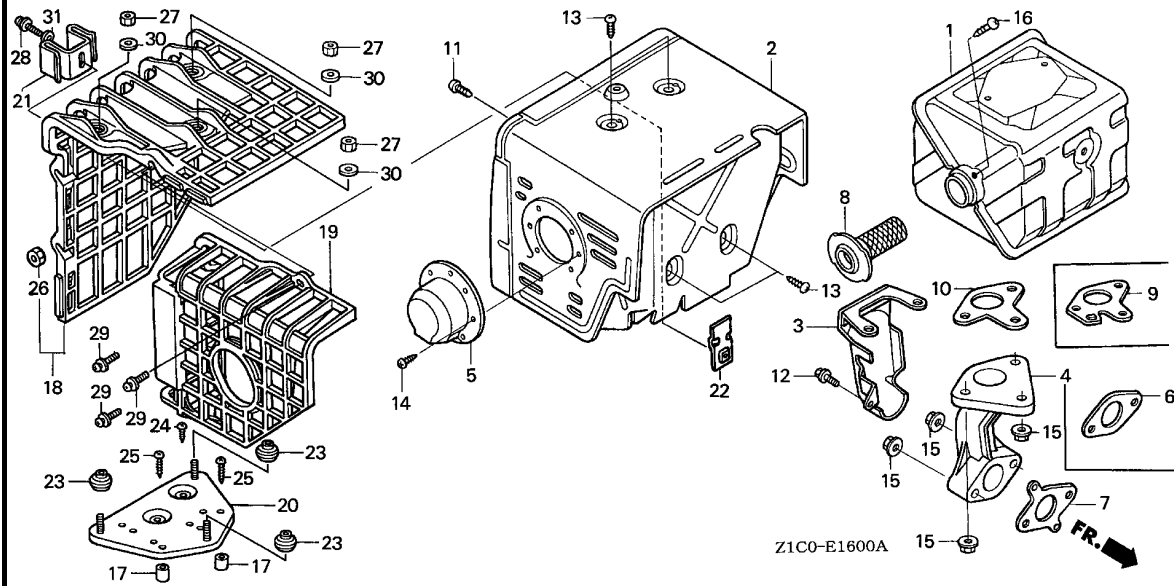
Ref. No.	L.O.N.	(Relative ref. Number) Description	F.R.T.
1	3131C5	MUFFLER, EXHAUST	0.2
2	3131D6	PROTECTOR, EXHAUST MUFFLER ...	0.2
4	3131C9	PIPE, EXHAUST	0.2
7		(6)	
	3131B5	GASKET, EXHAUST PIPE	0.2
8	3131A1	ARRESTER, SPARK	0.2
10		(9)	
	3131B4	GASKET, EXHAUST MUFFLER	0.2
18	3131A7	COVER, EXHAUST MUFFLER	0.1
19	3131A6	COVER, EXHAUST MUFFLER :REAR ..	0.1
20	3131A2	BASE, EXHAUST MUFFLER COVER ..	0.2

Ref. No.	Part No.	Description	Reqd. QTY		Serial No.	Parts catalogue code
			GX	T1		
1	18310-ZE2-W61	MUFFLER COMP. (100DB)	1	-----	-----	LH,LHB5,LHP1,LH2,LT,LXE8,LXE9,LXU,PX,PXE8,PXU,QAA2,QAA6,QA2,QA26,QH,QHB3,QHB5,QHP1,QMH,QN,QP,QT,QX,QXE,QXEK,QXE8,QXK,QXQ4,QXU,SH,SHE,SN,SWE,SWE2,SWX,SWX2,SX,SXC,SXE,SXE8,SXQ4,VSP,VTE5,VX,VXE,VXE8,VXK,VXU1,VX8
2	18320-ZE2-W61	PROTECTOR COMP., MUFFLER	1	-----	-----	LH,LHB5,LHP1,LH2,LT,LXE8,LXE9,LXU,PX,PXE8,PXU,QAA2,QAA6,QA2,QA26,QH,QHB3,QHB5,QHP1,QMH,QN,QP,QT,QX,QXE,QXEK,QXE8,QXK,QXQ4,QXU,SH,SHE,SN,SWE,SWE2,SWX,SWX2,SX,SXC,SXE,SXE8,SXQ4,VSP,VTE5,VX,VXE,VXE8,VXK,VXU1,VX8
3	18323-ZE3-W40	PROTECTOR, EX. PIPE	1	-----	-----	LT,QAA2,QAA6,QA2,QA26
4	18330-ZE2-W00	PIPE, EX.	1	-----	-----	LH,LHB5,LHP1,LH2,LT,LXE8,LXE9,LXU,PX,PXE8,PXU,QAA2,QAA6,QA2,QA26,QH,QHB3,QHB5,QHP1,QMH,QN,QP,QT,QX,QXE,QXEK,QXE8,QXK,QXQ4,QXU,SH,SHE,SN,SWE,SWE2,SWX,SWX2,SX,SXC,SXE,SXE8,SXQ4,VSP,VTE5,VX,VXE,VXE8,VXK,VXU1,VX8
5	18331-ZE3-810	CAP, MUFFLER	1	-----	-----	QA2,QA26
	18331-ZE3-811	1	-----	1443262	LT,QMH,QP,QT,SWX
			1	-----	-----	QN,SWX2
			1	-----	1443263	LT,QMH,QP,QT,SWX
6	18333-ZE3-800	GASKET, EX. PIPE	1	-----	1324128	LP
	18333-Z1C-801	1	-----	1324129	LP
7	18333-ZF6-W01	GASKET, EX. PIPE	1	-----	-----	LH,LHB5,LHP1,LH2,LT,LXE8,LXE9,LXU,PX,PXE8,PXU,QAA2,QAA6,QA2,QA26,QH,QHB3,QHB5,QHP1,QMH,QN,QP,QT,QX,QXE,QXEK,QXE8,QXK,QXQ4,QXU,SH,SHE,SN,SWE,SWE2,SWX,SWX2,SX,SXC,SXE,SXE8,SXQ4,VSP,VTE5,VX,VXE,VXE8,VXK,VXU1,VX8
8	18355-ZE2-W00	ARRESTER, SPARK	1	-----	-----	QA2,QA26
			(1)	-----	-----	LXE9,LXU
9	18381-ZE2-W10	GASKET, MUFFLER (ARRESTER) ..	1	-----	-----	QA2,QA26
			(1)	-----	-----	LXE9,LXU
10	18381-ZE2-800	GASKET, MUFFLER (NIPPON LEAKLESS)	1	-----	-----	LXE8,LXU,PXE8,PXU,QAA2,QAA6,QXE8,QXQ4,QXU,SXE8,SXQ4,VXE8,VX8
			1	-----	1337116	LH,LHB5,LHP1,LT,PX,QH,QHB3,QHB5,QHP1,QMH,QP,QT,QX,QXE,SH,SHE,SN,SWE,SWX,SX,SXC,SXE,VTE5,VX,VXE,VXU1

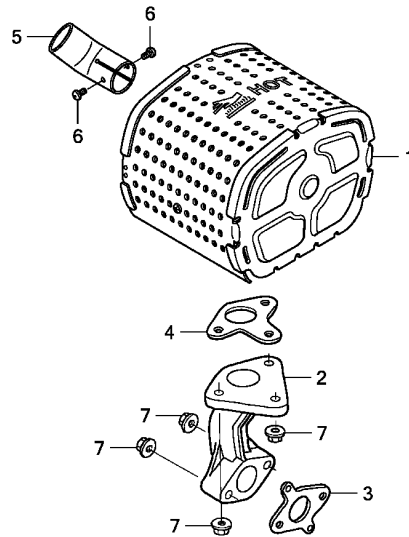




Ref. No.	Part No.	Description	Reqd. QTY	Serial No.		Parts catalogue code
				GX 390 T1		
10)	18381-Z1C-801	GASKET, MUFFLER (THAI LEAKLESS)	1	-----	-----	LH2,LXE9,QN,QXEK,QXK,SWE2,SWX2,VSP,VXK
			1	1337117	-----	LH,LHB5,LHP1,LT,PX,QH,QHB3,QHB5,QHP1,QMH,QP,QT,QX,QXE,SH,SHE,SN,SWE,SWX SX,SXC,SXE,VTE5,VX,VXE,VXE8,VXK,VXU1
11	90006-ZE2-000	SCREW, TAPPING, 6X10	1	-----	-----	LH,LHB5,LHP1,LH2,LT,LXE8,LXE9,LXU,PX,PXE8,PXU,QAA2,QAA6,QA2,QA26,QH,QHB3 QHB5,QHP1,QMH,QN,QP,QT,QX,QXE,QXEK,QXE8,QXK,QXQ4,QXU,SH,SHE,SN,SWE,SWE2 SWX,SWX2,SX,SXC,SXE,SXE8,SXQ4,VSP,VTE5,VX,VXE,VXE8,VXK,VXU1,VX8
12	90013-883-000	BOLT, FLANGE, 6X12(CT200)	1	-----	-----	LT,QAA2,QAA6,QA2,QA26
13	90050-ZE1-000	SCREW, TAPPING, 5X8	4	-----	-----	LH,LHB5,LHP1,LH2,LT,LXE8,LXE9,LXU,PX,PXE8,PXU,QAA2,QAA6,QA2,QA26,QH,QHB3 QHB5,QHP1,QMH,QN,QP,QT,QX,QXE,QXEK,QXE8,QXK,QXQ4,QXU,SH,SHE,SN,SWE,SWE2 SWX,SWX2,SX,SXC,SXE,SXE8,SXQ4,VSP,VTE5,VX,VXE,VXE8,VXK,VXU1,VX8
14	90055-ZE1-000	SCREW, TAPPING, 4X6	3	-----	-----	LT,QA2,QA26,QMH,QN,QP,QT,SWX,SWX2
15	94050-08000	NUT, FLANGE, 8MM	5	-----	-----	LH,LHB5,LHP1,LH2,LT,LXE8,LXE9,LXU,PX,PXE8,PXU,QAA2,QAA6,QA2,QA26,QH,QHB3 QHB5,QHP1,QMH,QN,QP,QT,QX,QXE,QXEK,QXE8,QXK,QXQ4,QXU,SH,SHE,SN,SWE,SWE2 SWX,SWX2,SX,SXC,SXE,SXE8,SXQ4,VSP,VTE5,VX,VXE,VXE8,VXK,VXU1,VX8
16	90050-ZE1-000	SCREW, TAPPING, 5X8	1	-----	-----	QA2,QA26
	90055-ZE1-000	SCREW, TAPPING, 4X6	(1)	-----	-----	LXE9,LXU
17	17233-896-701	COLLAR, AIR CLEANER CASE	(2)	-----	-----	QXQ4,SXQ4
18	18433-ZF6-W40	COVER COMP., MUFFLER	(1)	-----	-----	QXQ4,SXQ4
19	18434-ZF6-W40	COVER COMP., RR. MUFFLER	(1)	-----	-----	QXQ4,SXQ4
20	18436-ZH8-W40	BASE COMP., MUFFLER COVER	(1)	-----	-----	QXQ4,SXQ4
21	18437-ZF6-W40	STAY, MUFFLER COVER	(1)	-----	-----	QXQ4,SXQ4
22	18438-ZF6-W40	PLATE, SET	(1)	-----	-----	QXQ4,SXQ4
23	18466-ZH8-W40	SPACER, MUFFLER COVER	(3)	-----	-----	QXQ4,SXQ4
24	90050-ZE1-000	SCREW, TAPPING, 5X8	(1)	-----	-----	QXQ4,SXQ4
25	90050-ZH8-W40	SCREW, TAPPING, 5X25	(2)	-----	-----	QXQ4,SXQ4



Ref. No.	Part No.	Description	Reqd. QTY		Serial No.	Parts catalogue code
			GX	T1		
26	90301-782-000	NUT, U, 6MM	(3)	-----	-----	QXQ4,SXQ4
27	90302-KF9-900	NUT, HEX., 5MM	(3)	-----	-----	QXQ4,SXQ4
28	93891-05012-00	SCREW-WASHER, 5X12	(1)	-----	-----	QXQ4,SXQ4
29	93891-06020-07	SCREW-WASHER, 6X20	(3)	-----	-----	QXQ4,SXQ4
30	94103-05700	WASHER, PLAIN, 5MM	(3)	-----	-----	QXQ4,SXQ4
31	94111-05000	WASHER, SPRING, 5MM	(1)	-----	-----	QXQ4,SXQ4

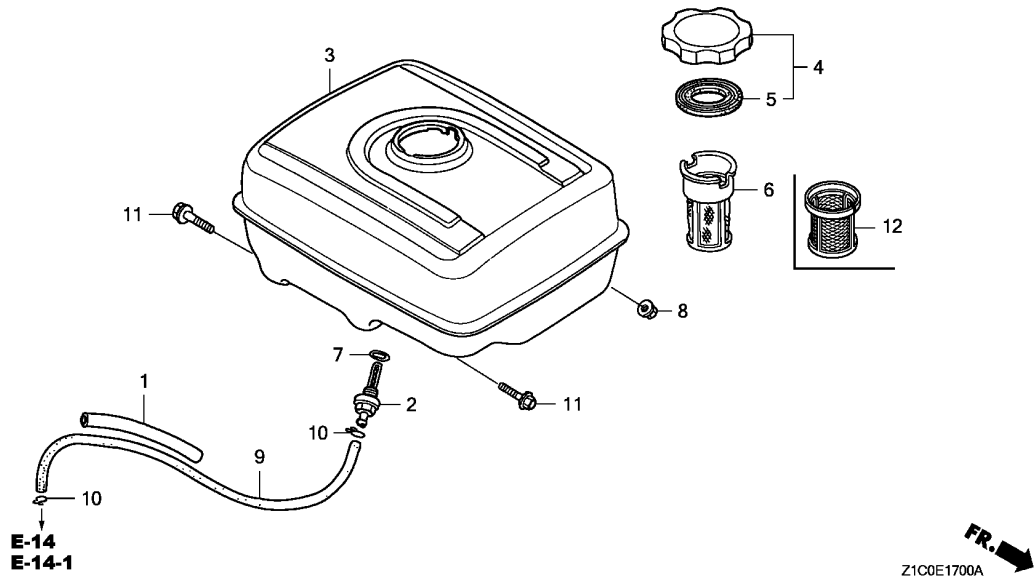


Z1C0E1601



Ref. No.	L.O.N.	(Relative ref. Number) Description	F.R.T.
1	3131C5	MUFFLER, EXHAUST	0.2
2	3131C9	PIPE, EXHAUST	0.2
3	3131B5	GASKET, EXHAUST PIPE	0.2
4	3131B4	GASKET, EXHAUST MUFFLER	0.2
5	3131A8	DEFLECTOR, EXHAUST MUFFLER ...	0.1

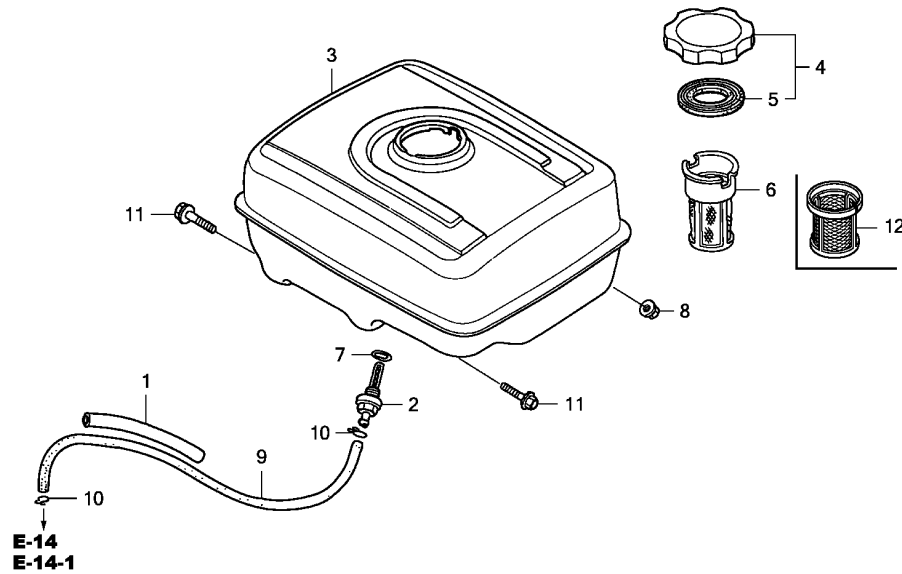
Ref. No.	Part No.	Description	Reqd. QTY		Serial No.	Parts catalogue code
			GX	T1		
1	18310-Z1C-810	MUFFLER COMP.	1	-----	-----	LBHB,QBH,QBHS,QBLS,QBS
2	18331-Z1C-800	PIPE, EX.	1	-----	-----	LBHB,QBH,QBHS,QBLS,QBS
3	18333-ZF6-W01	GASKET, EX. PIPE	1	-----	-----	LBHB,QBH,QBHS,QBLS,QBS
4	18381-Z1C-801	GASKET, MUFFLER (THAI LEAKLESS)	1	-----	-----	LBHB,QBH,QBHS,QBLS,QBS
5	18431-Z0T-800	DEFLECTOR, MUFFLER	1	-----	-----	LBHB,QBHS,QBLS
6	90055-ZE1-000	SCREW, TAPPING, 4X6	2	-----	-----	LBHB,QBHS,QBLS
7	94050-08000	NUT, FLANGE, 8MM	5	-----	-----	LBHB,QBH,QBHS,QBLS,QBS



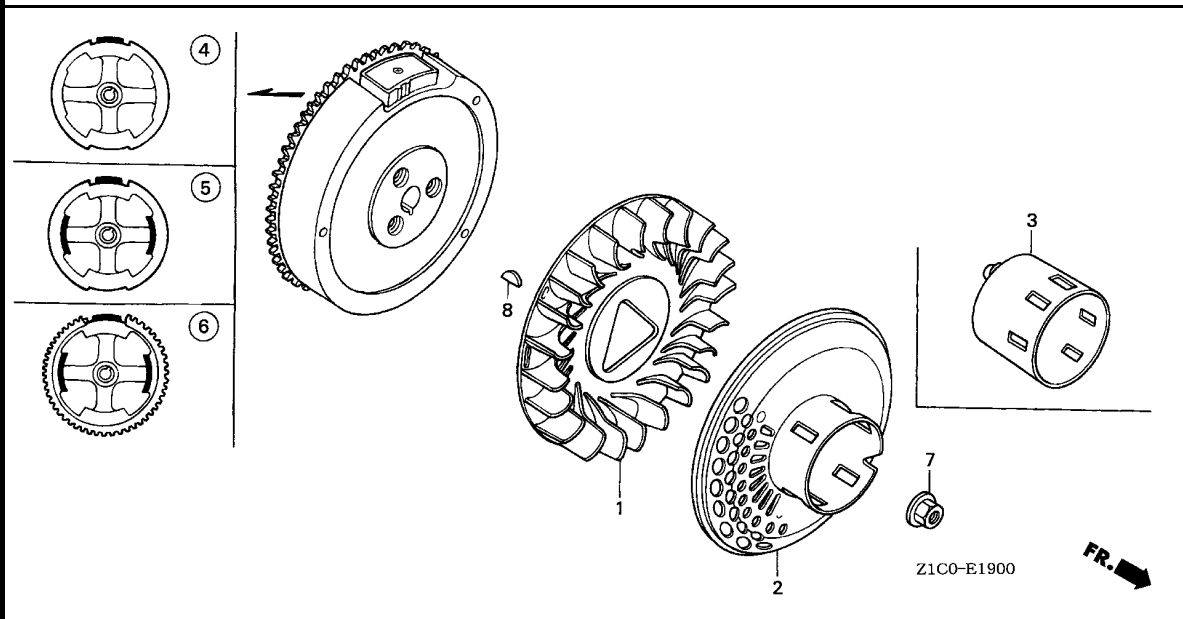
Ref. No.	L.O.N.	(Relative ref. Number) Description	F.R.T.
2	3101H6	(7) JOINT, FUEL STRAINER	0.2
3	3101H7	TANK, FUEL	0.2
6	3101A6	(12) FILTER, FUEL	0.1
9	3101F1	TUBE, FUEL TANK	0.2

Ref. No.	Part No.	Description	Reqd. QTY	Serial No.	Parts catalogue code
			GX 390 T1		
1	16854-ZH8-000	RUBBER, SUPPORTER (107MM) ...	1	-----	LBHB,LH,LHB5,LHP1,LH2,LP,LT,LXE8,LXE9,LXU,PX,PXE8,PXU,QAA2,QAA6,QA2,QA26,QBH,QBHS,QBLS,QBS,QH,QHB3,QHB5,QHP1,QMH,QN,QP,QT,QTD,QX,QXE,QXEK,QXE8,QXK,QXQ4,QXU,SH,SHE,SN,SWE,SWE2,SWX,SWX2,SX,SXC,SXE,SXE8,SXQ4,VSP,VX,VXE,VXE8,VXK,VXU1,VX8
2	16955-ZE1-000	JOINT, FUEL TANK	1	-----	LBHB,LH,LHB5,LHP1,LH2,LP,LT,LXE8,LXE9,LXU,PX,PXE8,PXU,QAA2,QAA6,QA2,QA26,QBH,QBHS,QBLS,QBS,QH,QHB3,QHB5,QHP1,QMH,QN,QP,QT,QTD,QX,QXE,QXEK,QXE8,QXK,QXQ4,QXU,SH,SHE,SN,SWE,SWE2,SWX,SWX2,SX,SXC,SXE,SXE8,SXQ4,VSP,VX,VXE,VXE8,VXK,VXU1,VX8
3	17510-ZE3-020ZA	TANK COMP., FUEL *NH31*.....MCKINLEY WHITE	1	-----	LXE8,LXU,PXE8,PXU,QAA2,QAA6,QA2,QA26,QXE8,QXQ4,QXU,SXE8,SXQ4,VXE8,VX8
	17510-ZE3-020ZB	*NH1*.....BLACK	1	1463865	LH,LHB5,LHP1,LP,LT,LXE9,PX,QH,QHB3,QHB5,QHP1,QMH,QN,QP,QT,QTD,QX,QXE,QXEK,QXK,SH,SHE,SN,SWE,SWX,SX,SXC,SXE,VSP,VX,VXE,VXK,VXU1
	17510-ZE3-030ZA	*NH31*.....MCKINLEY WHITE	1	-----	QAA2,QA2
	17510-Z1C-810ZA	*NH31*.....MCKINLEY WHITE	1	1463866	LH2,SWE2,SWX2
4	17620-ZOT-813	CAP COMP., FUEL FILLER (CHROME PLATED)	1	-----	LH,LHB5,LHP1,LP,LT,LXE8,LXE9,LXU,PX,PXE8,PXU,QAA2,QAA6,QA2,QA26,QH,QHB3,QHB5,QHP1,QMH,QN,QP,QT,QTD,QX,QXE,QXEK,QXE8,QXK,QXQ4,QXU,SH,SHE,SN,SWE,SWE2,SWX,SWX2,SX,SXC,SXE,SXE8,SXQ4,VSP,VX,VXE,VXE8,VXK,VXU1,VX8
	17620-ZOT-820	1	-----	LBHB,QBH,QBHS,QBLS,QBS
5	17631-ZOT-801	PACKING, FUEL FILLER CAP (39X62X3)	1	-----	LBHB,LH,LHB5,LHP1,LH2,LP,LT,LXE8,LXE9,LXU,PX,PXE8,PXU,QAA2,QAA6,QA2,QA26,QBH,QBHS,QBLS,QBS,QH,QHB3,QHB5,QHP1,QMH,QN,QP,QT,QTD,QX,QXE,QXEK,QXE8,QXK,QXQ4,QXU,SH,SHE,SN,SWE,SWE2,SWX,SWX2,SX,SXC,SXE,SXE8,SXQ4,VSP,VX,VXE,VXE8,VXK,VXU1,VX8
6	17672-ZE2-W01	FILTER, FUEL	1	-----	LBHB,LH,LHB5,LHP1,LH2,LP,LT,LXE8,LXE9,LXU,PX,PXE8,PXU,QAA2,QAA6,QA2,QA26,QBH,QBHS,QBLS,QBS,QH,QHB3,QHB5,QHP1,QMH,QN,QP,QT,QTD,QX,QXE,QXEK,QXE8,QXK,QXQ4,QXU,SH,SHE,SN,SWE,SWE2,SWX,SWX2,SX,SXC,SXE,SXE8,SXQ4,VSP,VX,VXE,VXE8,VXK,VXU1,VX8





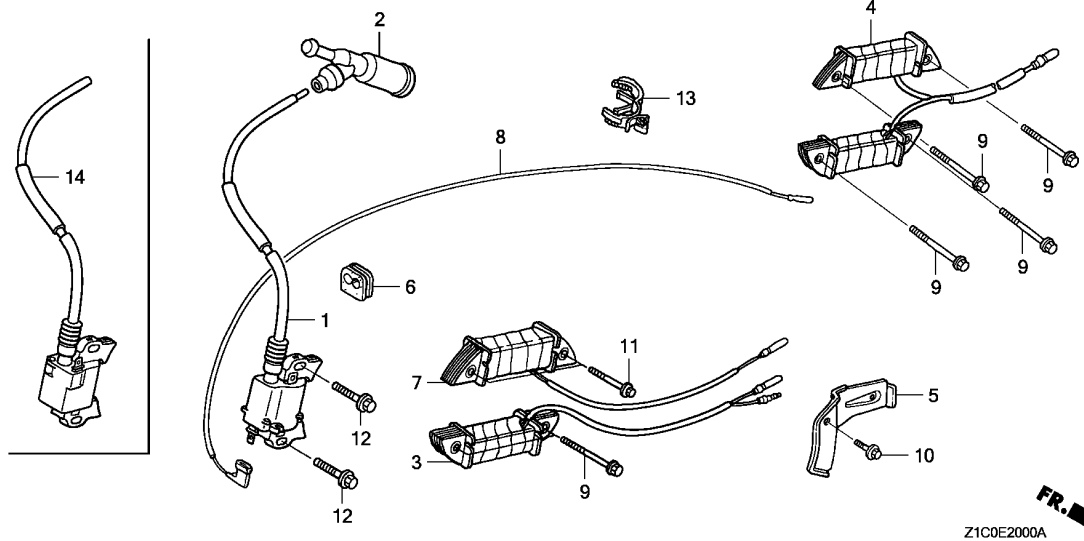
Ref. No.	Part No.	Description	Reqd. QTY	Serial No.	Parts catalogue code
7	91353-671-004	O-RING, 14MM(NOK)	1	-----	LBHB,LH,LHB5,LHP1,LH2,LP,LT,LXE8,LXE9,LXU,PX,PXE8,PXU,QAA2,QAA6,QA2,QA26 QBH,QBHS,QBLS,QBS,QH,QHB3,QHB5,QHP1,QMH,QN,QP,QT,QTD,QX,QXE,QXEK,QXE8,QXK QXQ4,QXU,SH,SHE,SN,SWE,SWE2,SWX,SWX2,SX,SXC,SXE,SXE8, SXQ4,VSP,VX,VXE,VXE8 VXK,VXU1,VX8
8	94050-08000	NUT, FLANGE, 8MM	2	-----	LBHB,LH,LHB5,LHP1,LH2,LP,LT,LXE8,LXE9,LXU,PX,PXE8,PXU,QAA2,QAA6,QA2,QA26 QBH,QBHS,QBLS,QBS,QH,QHB3,QHB5,QHP1,QMH,QN,QP,QT,QTD,QX,QXE,QXEK,QXE8,QXK QXQ4,QXU,SH,SHE,SN,SWE,SWE2,SWX,SWX2,SX,SXC,SXE,SXE8, SXQ4,VSP,VX,VXE,VXE8 VXK,VXU1,VX8
9	95001-45235-40	TUBE, FUEL, 4.5X235 (95001-45001-60M)	1	-----	LBHB,LH,LHB5,LHP1,LH2,LP,LT,LXE8,LXE9,LXU,PX,PXE8,PXU,QAA2,QAA6,QA2,QA26 QBH,QBHS,QBLS,QBS,QH,QHB3,QHB5,QHP1,QMH,QN,QP,QT,QTD,QX,QXE,QXEK,QXE8,QXK QXQ4,QXU,SH,SHE,SN,SWE,SWE2,SWX,SWX2,SX,SXC,SXE,SXE8, SXQ4,VSP,VX,VXE,VXE8 VXK,VXU1,VX8
10	95002-02080	CLIP, TUBE (B8)	2	-----	LBHB,LH,LHB5,LHP1,LH2,LP,LT,LXE8,LXE9,LXU,PX,PXE8,PXU,QAA2,QAA6,QA2,QA26 QBH,QBHS,QBLS,QBS,QH,QHB3,QHB5,QHP1,QMH,QN,QP,QT,QTD,QX,QXE,QXEK,QXE8,QXK QXQ4,QXU,SH,SHE,SN,SWE,SWE2,SWX,SWX2,SX,SXC,SXE,SXE8, SXQ4,VSP,VX,VXE,VXE8 VXK,VXU1,VX8
11	95701-08025-00	BOLT, FLANGE, 8X25	2	-----	LBHB,LH,LHB5,LHP1,LH2,LP,LT,LXE8,LXE9,LXU,PX,PXE8,PXU,QAA2,QAA6,QA2,QA26 QBH,QBHS,QBLS,QBS,QH,QHB3,QHB5,QHP1,QMH,QN,QP,QT,QTD,QX,QXE,QXEK,QXE8,QXK QXQ4,QXU,SH,SHE,SN,SWE,SWE2,SWX,SWX2,SX,SXC,SXE,SXE8, SXQ4,VSP,VX,VXE,VXE8 VXK,VXU1,VX8
12	17672-24H-000	FILTER, FUEL	1	-----	LBHB,QBH,QBHS,QBLS,QBS



Ref. No.	L.O.N.	(Relative ref. Number) Description	F.R.T.
1	1141G7	FAN, ENGINE COOLING (3)	0.2
2	1121A9	PULLEY, RECOIL STARTER (5,6)	0.2
4	2161B5	FLYWHEEL	0.3

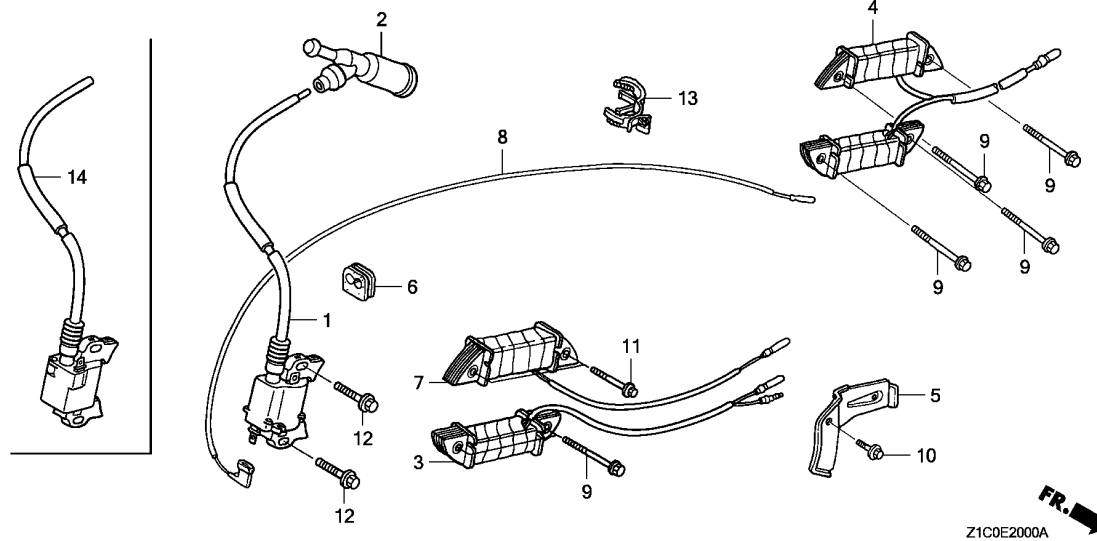
Ref. No.	Part No.	Description	Reqd. QTY	Serial No.	Parts catalogue code
			GX 390 T1		
1	19511-ZE3-000	FAN, COOLING	1		
2	28450-ZE3-W11	PULLEY COMP., STARTER (SCREEN GRID)	1		LH, LHB5, LHP1, LH2, LT, LXE8, LXE9, LXU, PX, PXE8, PXU, QAA2, QA26, QH, QHB3, QHB5, QHP1, QMH, QP, QX, QXE, QXEK, QXE8, QXK, QXU, SH, SHE, SWE, SWE2, SWX, SWX2, SX, SXC, SXE, SXE8, VSP, VTE5, VX, VXE, VXE8, VXX, VXU1, VX8
3	28451-ZE3-W01	PULLEY, STARTER	1		LBHB, LP, QAA2, QAA6, QA2, QBH, QBHS, QBL5, QBS, QN, QT, QTD, QXQ4, SN, SXQ4
4	31100-ZE3-701	FLYWHEEL COMP.	1		LH, LHB5, LH2, LXU, PX, PXU, QAA2, QAA6, QA2, QA26, QBL5, QBS, QH, QHB3, QHB5, QHP1, QMH, QN, QT, QTD, QX, QXK, QXQ4, QXU, SH, SN, SX, SXC, SXQ4, VSP, VX, VX8
	31100-Z1C-800		1		LBHB, QBH, QBHS
5	31100-ZE3-712	FLYWHEEL COMP. (LAMP)	1		LHP1, LP, LT, QP, SWX, SWX2
6	31100-ZE3-722	FLYWHEEL COMP. (SEL-LAMP)	1		LXE8, LXE9, PXE8, QXE, QXEK, QXE8, SHE, SWE, SWE2, SXE, SXE8, VTE5, VXE, VXE8, VXX, VXU1
7	90201-ZE3-V00	NUT, SPECIAL, 16MM	1		LH, LHB5, LHP1, LP, LT, LXE8, LXE9, LXU, PX, PXE8, PXU, QAA2, QAA6, QA2, QA26, QH, QHB3, QHB5, QHP1, QMH, QP, QT, QTD, QX, QXE, QXEK, QXE8, QXK, QXQ4, QXU, SH, SHE, SN, SWE, SWX, SX, SXC, SXE, SXE8, SXQ4, VSP, VTE5, VX, VXE, VXE8, VXX, VXU1, VX8
	90201-ZE3-790		1		LBHB, LH2, QBH, QBHS, QBL5, QBS, QN, SWE2, SWX2
8	90741-ZE2-000	KEY, SPECIAL WOODRUFF, 25X18	1		





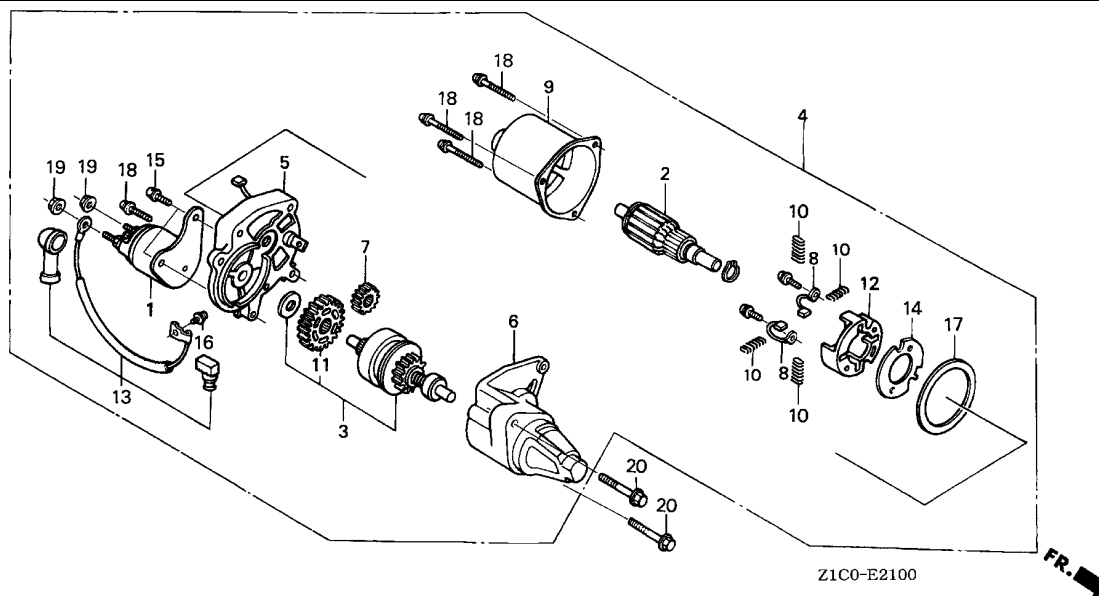
Ref. No.	L.O.N.	(Relative ref. Number) Description	F.R.T.
1		(14)	
6141A5		COIL, IGNITION(ONE)	0.2
2	6141B8	TERMINAL, HIGH TENSION	0.1
4		(3)	
6141A6		COIL, LAMP	0.4
7	6131C3	COIL, CHARGE	0.4
8	6111B3	CORD, STOP SWITCH	0.3

Ref. No.	Part No.	Description	Reqd. QTY	Serial No.	Parts catalogue code
			GX 390 T1		
1	30500-ZF6-W02	COIL ASSY., IGNITION	1	1253347	LH,LHB5,LHP1,LP,LT,LXE8,LXU,PX,PXE8,PXU,QAA2,QA2,QA26,QH,QHB3,QHB5,QHP1,QMH,QP,QT,QX,QXE,QXE8,QXQ4,QXU,SH,SHE,SN,SWE,SWX,SX,SXC,SXE,SXE8,SXQ4,VTE5,VX,VXE,VXE8,VXU1,VX8
	30500-Z1C-003	1	1253348	QAA6
	30500-Z1C-013	1	1337116	LXE8,LXU,PXE8,PXU,QAA2,QA2,QA26,QXE8,QXQ4,QXU,SXE8,SXQ4,VXE8,VX8
		1	1253348	1337116 LXE9,QXEK,QXK,VXK
	30500-Z1C-023	1		LH,LHB5,LHP1,LP,LT,PX,QH,QHB3,QHB5,QHP1,QMH,QP,QT,QX,QXE,SH,SHE,SN,SWE,SWX,SX,SXC,SXE,VTE5,VX,VXE,VXU1
		1	1337117	LH2,QBLS,QBS,QN,QT,SWE2,SWX2,VSP
		1		LH,LHB5,LHP1,LP,LT,LXE9,PX,QH,QHB3,QHB5,QHP1,QMH,QP,QT,QX,QXE,QXEK,QXK,SH,SHE,SN,SWE,SWX,SX,SXC,SXE,VTE5,VX,VXE,VXK,VXU1
2	30600-ZE1-013	TERMINAL ASSY., HIGH TENSION (NICHIAWA Y-EZ)	1		LP,LT,QT,SN
	30700-ZE1-013	CAP ASSY., NOISE SUPPRESSOR (NICHIAWA Y-EZ RTFM256)	1		LH,LHB5,LHP1,LXE8,LXE9,LXU,PX,PXE8,PXU,QAA2,QA2,QA26,QH,QHB3,QHB5,QHP1,QMH,QP,QX,QXE,QXEK,QXE8,QXK,QXQ4,QXU,SH,SHE,SWE,SWX,SX,SXC,SXE,SXE8,SXQ4,VTE5,VX,VXE,VXE8,VXK,VXU1,VX8
	30700-Z1C-801	TERMINAL ASSY., HIGH TENSION (NGK Y-EZD)	1		LP,LT,QN,QT,QT,SN
	30700-Z1C-811	CAP ASSY., NOISE SUPPRESSOR (NGK Y-EZD)	1		LH,LHB5,LHP1,LH2,LXE8,LXE9,LXU,PX,PXE8,PXU,QAA2,QAA6,QA2,QA26,QH,QHB3,QHB5,QHP1,QMH,QP,QX,QXE,QXEK,QXE8,QXK,QXQ4,QXU,SH,SHE,SWE,SWE2,SWX,SWX2,SX,SXC,SXE,SXE8,SXQ4,VSP,VTE5,VX,VXE,VXE8,VXK,VXU1,VX8
	30700-Z1C-821	TERMINAL ASSY., HIGH TENSION (NGK Y-EZD)	1		LBHB,QBH,QBHS,QBLS,QBS
3	31510-ZE1-811	COIL ASSY., LAMP (12V/25W) ..	1		LHP1
4	31510-ZE2-811	COIL ASSY., LAMP (12V/50W) ..	1		LP,LT,QP,SWX,SWX2
5	31511-ZE3-000	CLAMPER, CORD	1		LHP1,LP,LT,LXE8,LXE9,PXE8,QP,QXE,QXEK,QXE8,SHE,SWE,SWE2,SWX,SWX2,SXE,SXE8,VTE5,VXE,VXE8,VXK,VXU1



Ref. No.	Part No.	Description	Reqd. QTY		Serial No.	Parts catalogue code
			GX	T1		
6	31512-ZE2-000	GROMMET, CORD	1			
7	31630-ZE1-003	COIL ASSY., CHARGE (1A)	1		LXE8,LXE9,PXE8,QXE,QXEK,QXE8,SHE,SWE,SXE,SXE8,VTE5,VXE,VXE8,VXK,VXU1	
	31630-ZE1-013	1		SWE2	
8	36101-ZE2-701	CORD, STOP SWITCH (430MM) ...	1			
9	90012-888-000	BOLT, FLANGE, 6X40(CT200) ...	2		LHP1	
10	90013-883-000	BOLT, FLANGE, 6X12(CT200) ...	1		LP,LT,QP,SWX,SWX2	
					LHP1,LP,LT,LXE8,LXE9,PXE8,QP,QXE,QXEK,QXE8,SHE,SWE,SWE2,SWX,SWX2,SXE,SXE8	
					VTE5,VXE,VXE8,VXK,VXU1	
11	90014-ZE6-000	BOLT, FLANGE, 6X35(CT200) ...	2		LXE8,LXE9,PXE8,QXE,QXEK,QXE8,SHE,SWE,SWE2,SXE,SXE8,VTE5,VXE,VXE8,VXK,VXU1	
12	90015-883-000	BOLT, FLANGE, 6X28(CT200) ...	2			
13	90684-ZA0-601	CLIP, HARNESS	1		LBHB,LXU,PX,PXU,QAA2,QAA6,QA2,QA26,QBH,QBHS,QBLS,QBS,QX,QXK,QXQ4,QXU,SWX	
					SWX2,SX,SXC,SXQ4,VSP,VX,VX8	
14	30500-Z1C-801	COIL ASSY., IGNITION	1		LBHB,QBH,QBHS	

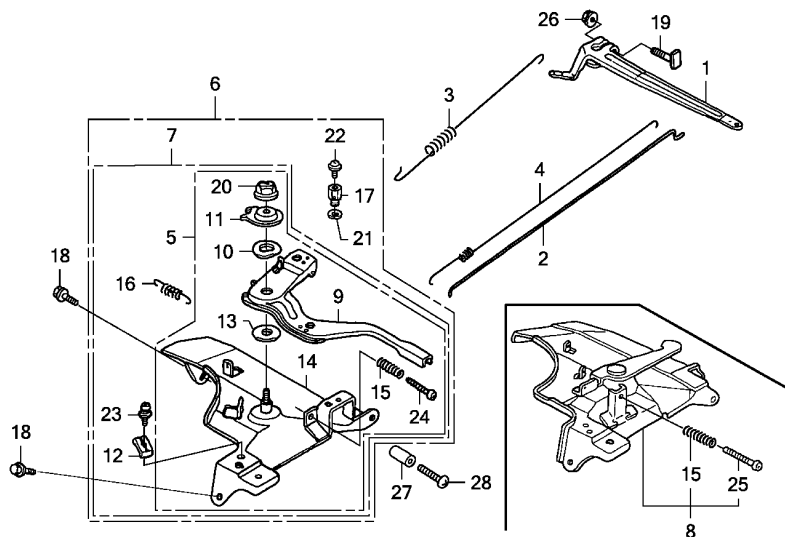




Ref. No.	L.O.N.	(Relative ref. Number) Description	F.R.T.
1	6121E5	CONTACTOR, STARTER	0.2
2	6121A0	ARMATURE, STARTER	0.4
3	6121B0	CLUTCH, OVERRUNNING	0.4
4	6121D5	MOTOR, STARTER	0.2
5	6121C3	BRACKET, STARTER :CENTER	0.4
6	6121D2	BRACKET, STARTER :FRONT	0.3
8	6121A9	BRUSH, STARTER	0.4

2

Ref. No.	Part No.	Description	Reqd. QTY	Serial No.	Parts catalogue code
			GX 390 T1		
1	31204-ZA0-003	CONTACTOR ASSY.	1	-----	LXE8,LXE9,PXE8,QXE,QXEK,QXE8,SHE,SWE,SWE2,SXE,SXE8,VTE5,VXE,VXE8,VXK,VXU1
2	31206-ZE3-003	ARMATURE COMP.	1	-----	LXE8,LXE9,PXE8,QXE,QXEK,QXE8,SHE,SWE,SWE2,SXE,SXE8,VTE5,VXE,VXE8,VXK,VXU1
3	31207-ZE3-003	CLUTCH COMP., OVERRUNNING ...	1	-----	LXE8,LXE9,PXE8,QXE,QXEK,QXE8,SHE,SWE,SWE2,SXE,SXE8,VTE5,VXE,VXE8,VXK,VXU1
4	31210-ZE3-013	MOTOR UNIT, STARTER	1	-----	LXE8,PXE8,QXE8,SXE8,VXE8
	31210-ZE3-023	1	1446390	LXE9,QXE,QXEK,SHE,SWE,SXE,VTE5,VXE,VXK,VXU1
			1		SWE2
5	31211-ZE2-003	BRACKET, CENTER	1	1446391	LXE9,QXE,QXEK,SHE,SWE,SXE,VTE5,VXE,VXK,VXU1
			1	-----	LXE8,LXE9,PXE8,QXE,QXEK,QXE8,SHE,SWE,SWE2,SXE,SXE8,VTE5,VXE,VXE8,VXK,VXU1
6	31212-ZE3-003	BRACKET, FR.	1	-----	LXE8,LXE9,PXE8,QXE,QXEK,QXE8,SHE,SWE,SWE2,SXE,SXE8,VTE5,VXE,VXE8,VXK,VXU1
7	31213-ZE2-003	GEAR, DRIVE PINION	1	-----	LXE8,LXE9,PXE8,QXE,QXEK,QXE8,SHE,SWE,SWE2,SXE,SXE8,VTE5,VXE,VXE8,VXK,VXU1
8	31215-ZE2-003	BRUSH	2	-----	LXE8,LXE9,PXE8,QXE,QXEK,QXE8,SHE,SWE,SWE2,SXE,SXE8,VTE5,VXE,VXE8,VXK,VXU1
9	31218-ZE3-003	YOKE COMP.	1	-----	LXE8,LXE9,PXE8,QXE,QXEK,QXE8,SHE,SWE,SWE2,SXE,SXE8,VTE5,VXE,VXE8,VXK,VXU1
10	31219-ZE2-003	SPRING, BRUSH RETURN	4	-----	LXE8,LXE9,PXE8,QXE,QXEK,QXE8,SHE,SWE,SWE2,SXE,SXE8,VTE5,VXE,VXE8,VXK,VXU1
11	31222-ZE3-791	GEAR, REDUCTION	1	-----	LXE8,LXE9,PXE8,QXE,QXEK,QXE8,SHE,SWE,SWE2,SXE,SXE8,VTE5,VXE,VXE8,VXK,VXU1
12	31231-ZE2-003	HOLDER, BRUSH	1	-----	LXE8,LXE9,PXE8,QXE,QXEK,QXE8,SHE,SWE,SWE2,SXE,SXE8,VTE5,VXE,VXE8,VXK,VXU1
13	31232-ZE3-003	WIRE, WATER COVER	1	-----	LXE8,LXE9,PXE8,QXE,QXEK,QXE8,SHE,SWE,SWE2,SXE,SXE8,VTE5,VXE,VXE8,VXK,VXU1
14	31233-ZE2-003	INSULATOR	1	-----	LXE8,LXE9,PXE8,QXE,QXEK,QXE8,SHE,SWE,SWE2,SXE,SXE8,VTE5,VXE,VXE8,VXK,VXU1
15	90007-ZE2-003	BOLT-WASHER, 5X14	2	-----	LXE8,LXE9,PXE8,QXE,QXEK,QXE8,SHE,SWE,SWE2,SXE,SXE8,VTE5,VXE,VXE8,VXK,VXU1
16	90110-ZE2-003	SCREW-WASHER, 4X6	1	-----	LXE8,LXE9,PXE8,QXE,QXEK,QXE8,SHE,SWE,SWE2,SXE,SXE8,VTE5,VXE,VXE8,VXK,VXU1
17	91601-ZE2-003	PACKING	1	-----	LXE8,LXE9,PXE8,QXE,QXEK,QXE8,SHE,SWE,SWE2,SXE,SXE8,VTE5,VXE,VXE8,VXK,VXU1
18	93892-05032-18	SCREW-WASHER, 5X32	4	-----	LXE8,LXE9,PXE8,QXE,QXEK,QXE8,SHE,SWE,SWE2,SXE,SXE8,VTE5,VXE,VXE8,VXK,VXU1
19	94070-06080	NUT-WASHER, 6MM	2	-----	LXE8,LXE9,PXE8,QXE,QXEK,QXE8,SHE,SWE,SWE2,SXE,SXE8,VTE5,VXE,VXE8,VXK,VXU1
20	95701-08035-08	BOLT, FLANGE, 8X35	2	-----	LXE8,LXE9,PXE8,QXE,QXEK,QXE8,SHE,SWE,SWE2,SXE,SXE8,VTE5,VXE,VXE8,VXK,VXU1

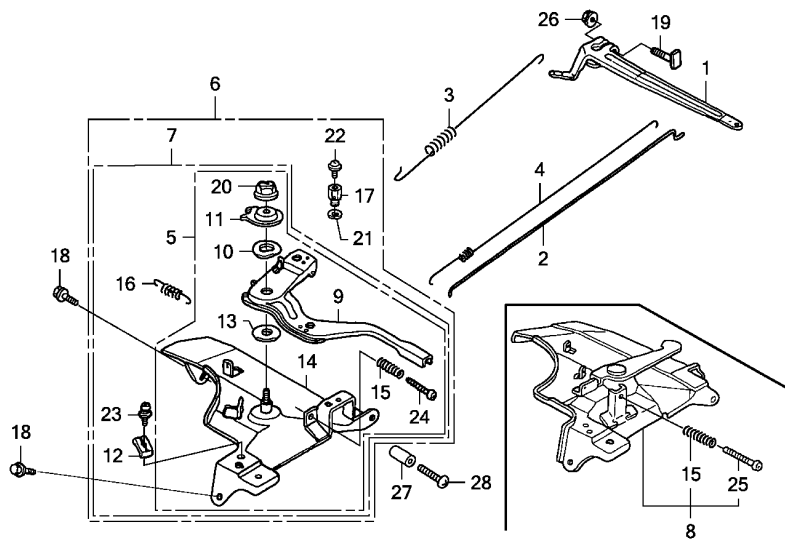


Z1C0E2200C

Ref. No.	L.O.N.	(Relative ref. Number) Description	F.R.T.
1	1161A0	ARM, GOVERNOR	0.2
2	1161B1	ROD, GOVERNOR	0.3
3	1161C5	SPRING, GOVERNOR	0.2
4	1161C2	SPRING, THROTTLE RETURN	0.3
6	1161A5	CONTROL, THROTTLE/GOVERNOR ...	0.2
9	1161A8	LEVER, CONTROL	0.3
14	1161A2	BASE, CONTROL	0.3

Ref. No.	Part No.	Description	Reqd. QTY	Serial No.	Parts catalogue code
1	16551-ZE3-000	ARM, GOVERNOR	1	-----	LH,LHB5,LHP1,LH2,LT,LXE8,LXE9,LXU,PX,PXE8,PXU,QAA2,QAA6,QA2,QA26,QH,QHB3,QHB5,QHP1,QMH,QN,QP,QT,QTD,QX,QXE,QXEK,QXE8,QXK,QXQ4,QXU,SH,SHE,SN,SWE,SWE2,SWX,SWX2,SX,SXC,SXE,SXE8,SXQ4,VSP,VTE5,VX,VXE,VXE8,VXK,VXU1,VX8
	16551-Z1C-800	1	-----	QBLS,QBS
2	16555-ZE3-000	ROD, GOVERNOR	1	-----	LH,LHB5,LHP1,LH2,LT,LXE8,LXE9,LXU,PX,PXE8,PXU,QAA2,QAA6,QA2,QA26,QBLS,QBS,QH,QHB3,QHB5,QHP1,QMH,QN,QP,QT,QTD,QX,QXE,QXEK,QXE8,QXK,QXQ4,QXU,SH,SHE,SN,SWE,SWE2,SWX,SWX2,SX,SXC,SXE,SXE8,SXQ4,VSP,VTE5,VX,VXE,VXE8,VXK,VXU1,VX8
3	16561-ZE3-000	SPRING, GOVERNOR	1	-----	LH,LHB5,LHP1,LH2,LT,LXE8,LXE9,LXU,PX,PXE8,PXU,QAA2,QAA6,QA2,QA26,QH,QHB3,QHB5,QHP1,QMH,QN,QP,QT,QTD,QX,QXE,QXEK,QXE8,QXK,QXQ4,QXU,SH,SHE,SN,SWE,SWE2,SWX,SWX2,SX,SXC,SXE,SXE8,SXQ4,VTE5
	16561-ZF6-T21	1	-----	VSP,VXE8,VXK,VXU1,VX8
	16561-ZF6-W31	1	1363842	VX,VXE
	16561-ZF6-W32	1	1363843	VX,VXE
	16561-Z1C-800	1	-----	QBLS,QBS
4	16562-ZE3-000	SPRING, THROTTLE RETURN	1	-----	LH,LHB5,LHP1,LH2,LT,LXE8,LXE9,LXU,PX,PXE8,PXU,QAA2,QAA6,QA2,QA26,QBLS,QBS,QH,QHB3,QHB5,QHP1,QMH,QN,QP,QT,QTD,QX,QXE,QXEK,QXE8,QXK,QXQ4,QXU,SH,SHE,SN,SWE,SWE2,SWX,SWX2,SX,SXC,SXE,SXE8,SXQ4,VSP,VTE5,VX,VXE,VXE8,VXK,VXU1,VX8
5	16570-ZE3-W00	CONTROL ASSY. (STD.)	1	-----	SN,VTE5,VX,VXE
6	16570-ZE3-W10	CONTROL ASSY. (REMOTE)	1	-----	LT,QTD
	16500-Z1C-800	CONTROL ASSY. (LONG-TAILED BOAT)	1	-----	QBLS,QBS
7	16570-ZE3-W20	CONTROL ASSY. (REMOTE)	1	-----	LH,LHB5,LHP1,LH2,LXE8,LXE9,LXU,PX,PXE8,PXU,QAA2,QAA6,QA2,QA26,QH,QHB3,QHB5,QHP1,QMH,QN,QP,QT,QTD,QX,QXE,QXEK,QXE8,QXK,QXQ4,QXU,SH,SHE,SWE,SWE2,SWX,SWX2,SX,SXC,SXE,SXE8,SXQ4
8	16570-ZE3-721	CONTROL ASSY.	1	-----	VSP,VXE8,VXK,VXU1,VX8

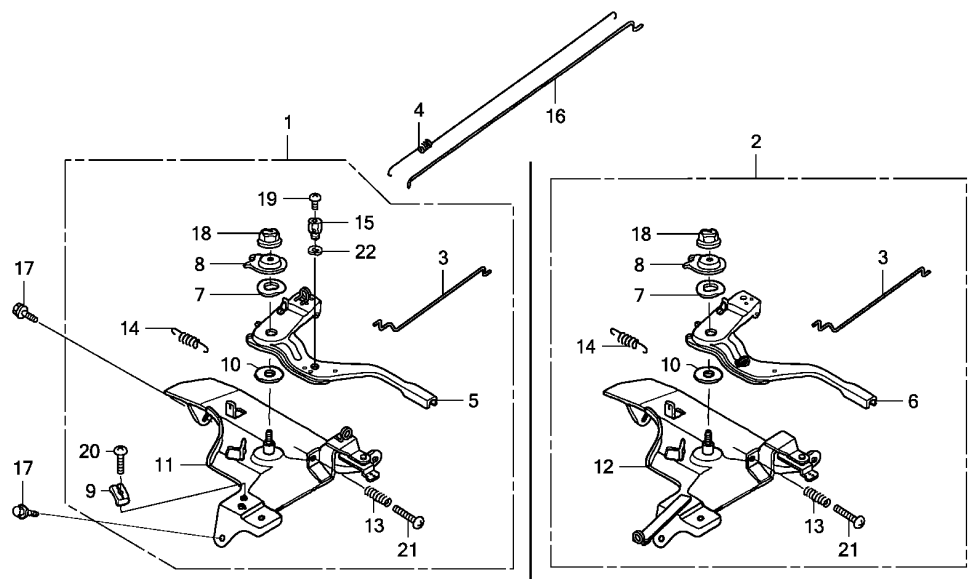




Z1C0E2200C

Ref. No.	Part No.	Description	Reqd. QTY	Serial No.	Parts catalogue code
9	16571-ZE3-W00	LEVER, CONTROL	1	-----	LH,LHB5,LHP1,LH2,LT,LXE8,LXE9,LXU,PX,PXE8,PXU,QAA2,QAA6,QA2,QA26,QH,QHB3,QHB5,QHP1,QMH,QN,QP,QT,QTD,QX,QXE,QXEK,QXE8,QXK,QXQ4,QXU,SH,SHE,SN,SWE,SWE2,SWX,SWX2,SX,SXC,SXE,SXE8,SXQ4,VTE5,VX,VXE
	16571-Z1C-800	-----	1	-----	QBLS,QBS
10	16574-ZE1-000	SPRING, LEVER	1	-----	LH,LHB5,LHP1,LH2,LT,LXE8,LXE9,LXU,PX,PXE8,PXU,QAA2,QAA6,QA2,QA26,QBLS,QBS,QH,QHB3,QHB5,QHP1,QMH,QN,QP,QT,QTD,QX,QXE,QXEK,QXE8,QXK,QXQ4,QXU,SH,SHE,SN,SWE,SWE2,SWX,SWX2,SX,SXC,SXE,SXE8,SXQ4,VTE5,VX,VXE
11	16575-ZE2-W00	WASHER, CONTROL LEVER	1	-----	LH,LHB5,LHP1,LH2,LT,LXE8,LXE9,LXU,PX,PXE8,PXU,QAA2,QAA6,QA2,QA26,QH,QHB3,QHB5,QHP1,QMH,QN,QP,QT,QTD,QX,QXE,QXEK,QXE8,QXK,QXQ4,QXU,SH,SHE,SN,SWE,SWE2,SWX,SWX2,SX,SXC,SXE,SXE8,SXQ4,VTE5,VX,VXE
	16575-Z1C-810	-----	1	-----	QBLS,QBS
12	16576-891-000	HOLDER, CABLE	1	-----	LH,LHB5,LHP1,LH2,LT,LXE8,LXE9,LXU,PX,PXE8,PXU,QAA2,QAA6,QA2,QA26,QBLS,QBS,QH,QHB3,QHB5,QHP1,QMH,QN,QP,QT,QTD,QX,QXE,QXEK,QXE8,QXK,QXQ4,QXU,SH,SHE,SWE,SWE2,SWX,SWX2,SX,SXC,SXE,SXE8,SXQ4
13	16578-ZE1-000	SPACER, CONTROL LEVER	1	-----	LH,LHB5,LHP1,LH2,LT,LXE8,LXE9,LXU,PX,PXE8,PXU,QAA2,QAA6,QA2,QA26,QBLS,QBS,QH,QHB3,QHB5,QHP1,QMH,QN,QP,QT,QTD,QX,QXE,QXEK,QXE8,QXK,QXQ4,QXU,SH,SHE,SN,SWE,SWE2,SWX,SWX2,SX,SXC,SXE,SXE8,SXQ4,VTE5,VX,VXE
14	16581-ZE3-W00	BASE COMP., CONTROL (###)	1	-----	LH,LHB5,LHP1,LH2,LP,LT,LXE8,LXE9,LXU,PX,PXE8,PXU,QAA2,QAA6,QA2,QA26,QH,QHB3,QHB5,QHP1,QMH,QN,QP,QT,QTD,QX,QXE,QXEK,QXE8,QXK,QXQ4,QXU,SH,SHE,SN,SWE,SWE2,SWX,SWX2,SX,SXC,SXE,SXE8,SXQ4,VTE5,VX,VXE
	16580-Z1C-800	BASE COMP., CONTROL	1	-----	QBLS,QBS
15	16584-883-300	SPRING, CONTROL ADJUSTING	1	-----	LH,LHB5,LHP1,LH2,LT,LXE8,LXE9,LXU,PX,PXE8,PXU,QAA2,QAA6,QA2,QA26,QBLS,QBS,QH,QHB3,QHB5,QHP1,QMH,QN,QP,QT,QTD,QX,QXE,QXEK,QXE8,QXK,QXQ4,QXU,SH,SHE,SN,SWE,SWE2,SWX,SWX2,SX,SXC,SXE,SXE8,SXQ4,VSP,VTE5,VX,VXE,VXE8,VXK,VXU1,VX8

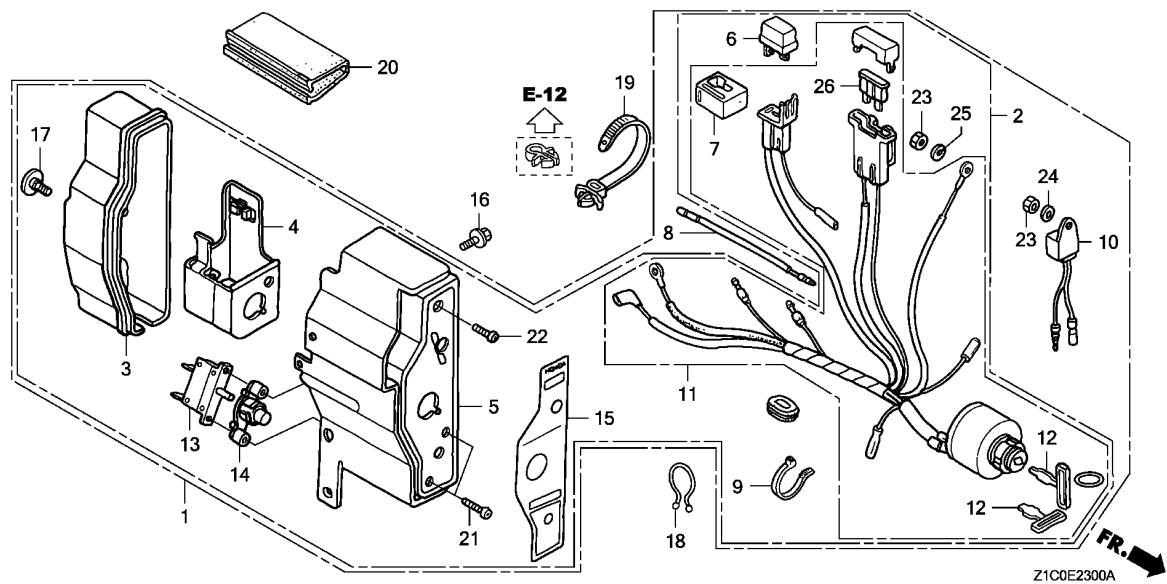
Ref. No.	Part No.	Description	Reqd. QTY		Serial No.	Parts catalogue code
			GX 390 T1			
16	16592-883-310	SPRING, CABLE RETURN	1			LH,LHB5,LHP1,LH2,LT,LXE8,LXE9,LXU,PX,PXE8,PXU,QAA2,QAA6,QA2,QA26,QH,QHB3,QHB5,QHP1,QMH,QN,QP,QT,QTD,QX,QXE,QXEK,QXE8,QXK,QXQ4,QXU,SH,SHE,SWE,SWE2,SWX,SWX2,SX,SXC,SXE,SXE8,SXQ4
	16592-Z1C-810	1			QBLS,QBS
17	16594-883-010	HOLDER, WIRE	1			LT, QBLS, QBS, QTD
18	90013-883-000	BOLT, FLANGE, 6X12(CT200) ...	2			LH,LHB5,LHP1,LH2,LP,LT,LXE8,LXE9,LXU,PX,PXE8,PXU,QAA2,QAA6,QA2,QA26,QH,QHB3,QHB5,QHP1,QMH,QN,QP,QT,QTD,QX,QXE,QXEK,QXE8,QXK,QXQ4,QXU,SH,SHE,SN,SWE,SWE2,SWX,SWX2,SX,SXC,SXE,SXE8,SXQ4,VSP,VTE5,VX,VXE,VXE8,VXK,VXU1,VX8
	90013-Z0T-810	2			QBLS,QBS
19	90015-ZE5-010	BOLT, GOVERNOR ARM	1			LH,LHB5,LHP1,LH2,LT,LXE8,LXE9,LXU,PX,PXE8,PXU,QAA2,QAA6,QA2,QA26,QBLS,QBS,QH,QHB3,QHB5,QHP1,QMH,QN,QP,QT,QTD,QX,QXE,QXEK,QXE8,QXK,QXQ4,QXU,SH,SHE,SN,SWE,SWE2,SWX,SWX2,SX,SXC,SXE,SXE8,SXQ4,VSP,VTE5,VX,VXE,VXE8,VXK,VXU1,VX8
20	90114-SAO-000	NUT, SELF-LOCK, 6MM	1			LH,LHB5,LHP1,LH2,LT,LXE8,LXE9,LXU,PX,PXE8,PXU,QAA2,QAA6,QA2,QA26,QBLS,QBS,QH,QHB3,QHB5,QHP1,QMH,QN,QP,QT,QTD,QX,QXE,QXEK,QXE8,QXK,QXQ4,QXU,SH,SHE,SN,SWE,SWE2,SWX,SWX2,SX,SXC,SXE,SXE8,SXQ4,VTE5,VX,VXE
21	90605-230-000	CIRCLIP, 5MM	1			LT,QTD
	94540-05018	E-RING, 5MM	1			QBLS,QBS
22	93500-04006-0H	SCREW, PAN, 4X6	1			LT, QBLS, QBS, QTD
23	93500-05016-0A	SCREW, PAN, 5X16	1			LH,LHB5,LHP1,LH2,LT,LXE8,LXE9,LXU,PX,PXE8,PXU,QAA2,QAA6,QA2,QA26,QBLS,QBS,QH,QHB3,QHB5,QHP1,QMH,QN,QP,QT,QTD,QX,QXE,QXEK,QXE8,QXK,QXQ4,QXU,SH,SHE,SWE,SWE2,SWX,SWX2,SX,SXC,SXE,SXE8,SXQ4
24	93500-05032-0A	SCREW, PAN, 5X32	1			LH,LHB5,LHP1,LH2,LT,LXE8,LXE9,LXU,PX,PXE8,PXU,QAA2,QAA6,QA2,QA26,QH,QHB3,QHB5,QHP1,QMH,QN,QP,QT,QTD,QX,QXE,QXEK,QXE8,QXK,QXQ4,QXU,SH,SHE,SN,SWE,SWE2,SWX,SWX2,SX,SXC,SXE,SXE8,SXQ4,VTE5,VX,VXE
	93500-05025-0H	SCREW, PAN, 5X25	1			QBLS,QBS
25	93500-05045-0A	SCREW, PAN, 5X45	1			VSP,VXE8,VXK,VXU1,VX8
26	94050-06000	NUT, FLANGE, 6MM	1			LH,LHB5,LHP1,LH2,LT,LXE8,LXE9,LXU,PX,PXE8,PXU,QAA2,QAA6,QA2,QA26,QBLS,QBS,QH,QHB3,QHB5,QHP1,QMH,QN,QP,QT,QTD,QX,QXE,QXEK,QXE8,QXK,QXQ4,QXU,SH,SHE,SN,SWE,SWE2,SWX,SWX2,SX,SXC,SXE,SXE8,SXQ4,VSP,VTE5,VX,VXE,VXE8,VXK,VXU1,VX8
27	16599-ZG1-M10	COLLAR, STOPPER	(1)			QXQ4,SXQ4
28	90016-ZG9-N30	SCREW, RECESSED, 5X25	(1)			QXQ4,SXQ4



Z1C0E2201

Ref. No.	L.O.N.	(Relative ref. Number) Description	F.R.T.
1	1161A5	CONTROL, THROTTLE/GOVERNOR ...	0.2
4	1161C2	SPRING, THROTTLE RETURN	0.3
5		(6)	
	1161A8	LEVER, CONTROL	0.3
11		(12)	
	1161A2	BASE, CONTROL	0.3
16	8101R4	ROD, THROTTLE	0.3

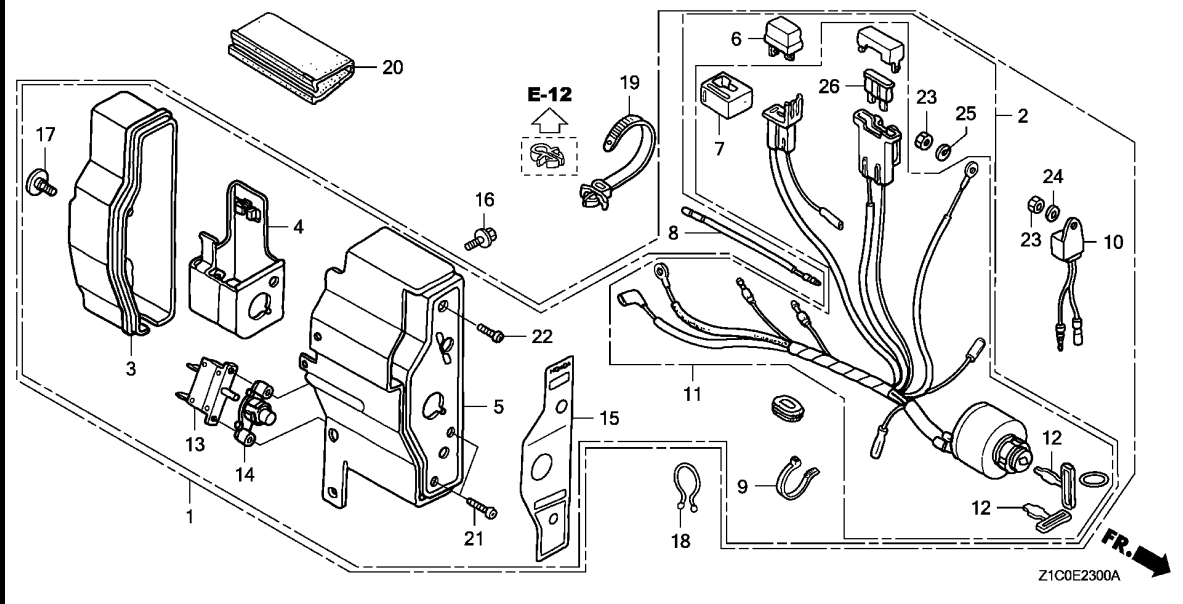
Ref. No.	Part No.	Description	Reqd. QTY	Serial No.	Parts catalogue code
			GX 390 T1		
1	16500-Z1C-810	CONTROL ASSY. (LONG-TAILED BOAT)	1	-----	QBH, QBHS
2	16500-Z1C-820	CONTROL ASSY. (BANKA)	1	-----	LBHB
3	16556-Z1C-810	ROD, CONTROL	1	-----	LBHB, QBH, QBHS
4	16562-Z1C-810	SPRING, THROTTLE RETURN	1	-----	LBHB, QBH, QBHS
5	16570-Z1C-810	LEVER COMP., CONTROL	1	-----	QBH, QBHS
6	16570-Z1C-820	LEVER COMP., CONTROL	1	-----	LBHB
7	16574-ZE1-000	SPRING, LEVER	1	-----	LBHB, QBH, QBHS
8	16575-Z1C-810	WASHER, CONTROL LEVER	1	-----	LBHB, QBH, QBHS
9	16576-891-000	HOLDER, CABLE	1	-----	QBH, QBHS
10	16578-ZE1-000	SPACER, CONTROL LEVER	1	-----	LBHB, QBH, QBHS
11	16580-Z1C-810	BASE COMP., CONTROL	1	-----	QBH, QBHS
12	16580-Z1C-820	BASE COMP., CONTROL	1	-----	LBHB
13	16584-883-300	SPRING, CONTROL ADJUSTING ...	1	-----	LBHB, QBH, QBHS
14	16592-Z1C-810	SPRING, CABLE RETURN	1	-----	LBHB, QBH, QBHS
15	16594-883-010	HOLDER, WIRE	1	-----	QBH, QBHS
16	17841-Z1C-810	ROD, THROTTLE	1	-----	LBHB, QBH, QBHS
17	90013-ZOT-810	BOLT, FLANGE, 6X12(CT200) ...	2	-----	LBHB, QBH, QBHS
18	90114-SAO-000	NUT, SELF-LOCK, 6MM	1	-----	LBHB, QBH, QBHS
19	93500-04006-OH	SCREW, PAN, 4X6	1	-----	QBH, QBHS
20	93500-05016-OA	SCREW, PAN, 5X16	1	-----	QBH, QBHS
21	93500-05025-OH	SCREW, PAN, 5X25	1	-----	LBHB, QBH, QBHS
22	94540-05018	E-RING, 5MM	1	-----	QBH, QBHS



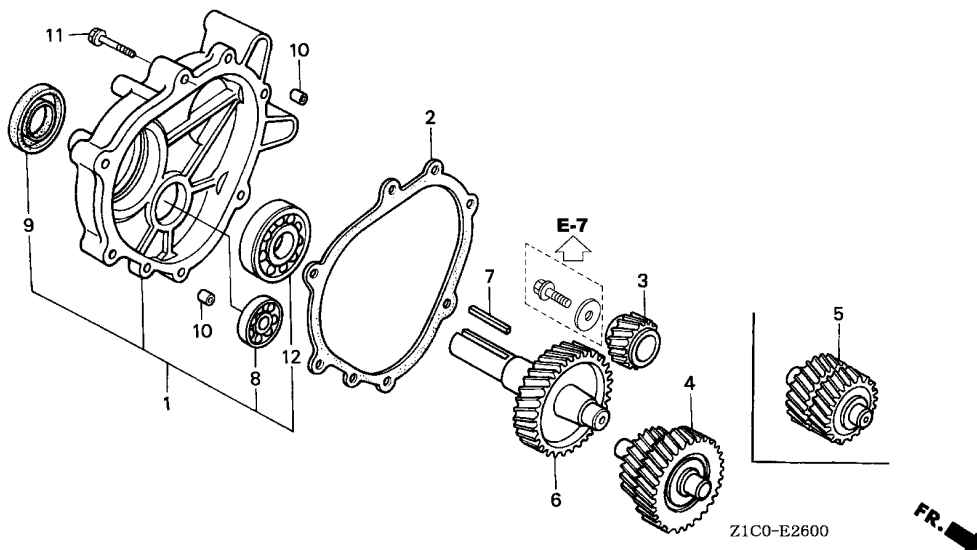
Ref. No.	L.O.N.	(Relative ref. Number) Description	F.R.T.
1		(2)	
6221N7		BOX, ENGINE CONTROL	0.1
6221P7		PANEL, ENGINE CONTROL	0.2
6131B8		RECTIFIER, SILICON	0.2
6151K4		ALERT UNIT, ENGINE CONTROL OIL	0.2
6151E1		SWITCH, COMBINATION	0.2
6221D4		PROTECTOR, CIRCUIT	0.2
8121A7		FUSE, BLADE	0.1

Ref. No.	Part No.	Description	Reqd. QTY	Serial No.	Parts catalogue code
			GX 390 T1		
1	31610-ZE3-W13ZE	BOX ASSY., CONTROL	1		LXE8,PXE8,QXE,QXEK,QXE8,SXE,SXE8,VTE5,VXE,VXE8,VXK,VXU1
	31610-Z5T-801ZA	BOX ASSY., CONTROL (EXP-ALERT)	1	1395131	LXE9
	31610-Z5T-802ZA	BOX ASSY., CONTROL	1	1395132	LXE9
2	31610-ZE3-812ZD	BOX ASSY., CONTROL	1		SHE,SWE,SWE2
3	31612-ZE2-003	CASE, CONTROL	1		LXE8,LXE9,PXE8,QXE,QXEK,QXE8,SHE,SWE,SWE2,SXE,SXE8,VTE5,VXE,VXE8,VXK,VXU1
4	31614-ZE2-003	BRACKET, CASE MOUNTING	1		LXE8,LXE9,PXE8,QXE,QXEK,QXE8,SHE,SWE,SWE2,SXE,SXE8,VTE5,VXE,VXE8,VXK,VXU1
5	31615-ZE3-003ZE	PANEL COMP., CONTROL	1		LXE8,LXE9,PXE8,QXE,QXEK,QXE8,SHE,SWE,SWE2,SXE,SXE8,VTE5,VXE,VXE8,VXK,VXU1
6	31700-124-008	RECTIFIER ASSY., SILICON (SHINDENGEN)	1		LXE8,LXE9,PXE8,QXE,QXEK,QXE8,SHE,SWE,SWE2,SXE,SXE8,VTE5,VXE,VXE8,VXK,VXU1
7	32127-738-700	SUSPENSION, COUPLER	1		LXE8,LXE9,PXE8,QXE,QXEK,QXE8,SHE,SWE,SWE2,SXE,SXE8,VTE5,VXE,VXE8,VXK,VXU1
8	32197-ZE1-003	SUB HARNESS	1		LXE8,LXE9,PXE8,QXE,QXEK,QXE8,SXE,SXE8,VTE5,VXE,VXE8,VXK,VXU1
9	32902-892-003	BAND	1		LXE8,LXE9,PXE8,QXE,QXEK,QXE8,SHE,SWE,SWE2,SXE,SXE8,VTE5,VXE,VXE8,VXK,VXU1
10	34150-ZH7-003	ALERT UNIT, OIL	1		LXE8,LXE9,PXE8,QXE,QXEK,QXE8,SXE,SXE8,VTE5,VXE,VXE8,VXK,VXU1
11	35100-ZE2-023	SWITCH ASSY., COMBINATION	1		LXE8,PXE8,QXE8,SXE8,VXE8
	35100-ZE2-033		1	1395131	LXE9,QXE,QXEK,SHE,SWE,SXE,VTE5,VXE,VXK,VXU1
			1		SWE2
			1	1395132	LXE9,QXE,QXEK,SHE,SWE,SXE,VTE5,VXE,VXK,VXU1
12	35111-880-013	KEY COMP.	2		LXE8,LXE9,PXE8,QXE,QXEK,QXE8,SHE,SWE,SWE2,SXE,SXE8,VTE5,VXE,VXE8,VXK,VXU1
13	38240-VA3-900	PROTECTOR, CIRCUIT (1.0A)	1		LXE8,LXE9,PXE8,QXE,QXEK,QXE8,SHE,SWE,SWE2,SXE,SXE8,VTE5,VXE,VXE8,VXK,VXU1
14	38250-ZA8-701	LENS ASSY., PROTECTOR	1		LXE8,LXE9,PXE8,QXE,QXEK,QXE8,SHE,SWE,SWE2,SXE,SXE8,VTE5,VXE,VXE8,VXK,VXU1
15	87529-ZE2-812	MARK, CONTROL BOX (EXP)	1		LXE8,PXE8,QXE,QXEK,QXE8,SHE,SWE,SWE2,SXE,SXE8,VTE5,VXE,VXE8,VXK,VXU1
	87529-Z4T-840	MARK, CONTROL BOX (EXTERNAL)	1		LXE9





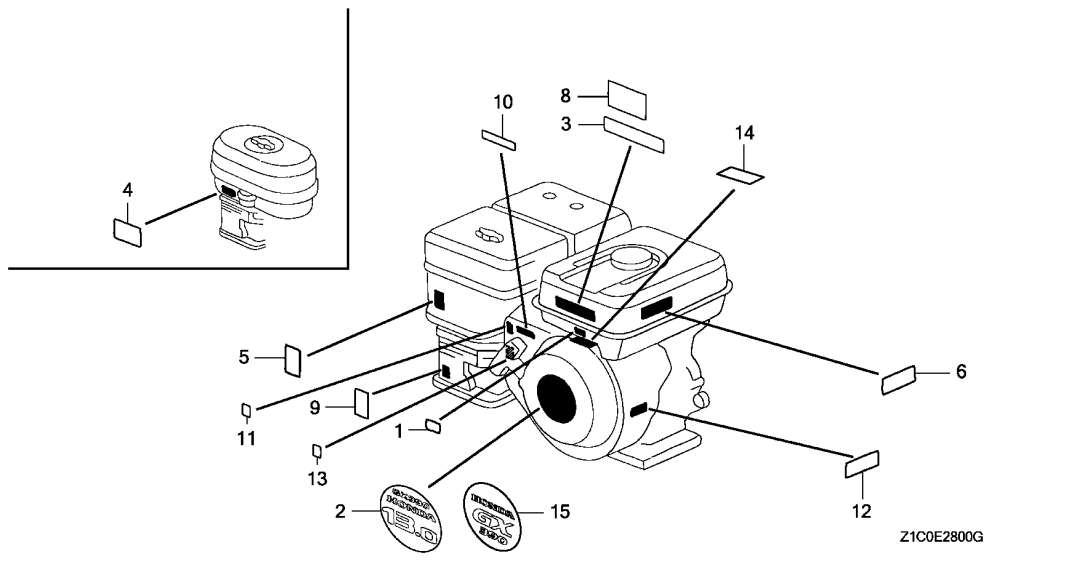
Ref. No.	Part No.	Description	Reqd. QTY		Serial No.	Parts catalogue code
			GX	T1		
16	90013-883-000	BOLT, FLANGE, 6X12(CT200)	2	---	LXE8,LXE9,PXE8,QXE,QXEK,QXE8,SHE,SWE,SWE2,SXE,SXE8,VTE5,VXE,VXE8,VXK,VXU1	
17	90380-MA6-010	SCREW, SPECIAL, 6X12	1	---	LXE8,LXE9,PXE8,QXE,QXEK,QXE8,SHE,SWE,SWE2,SXE,SXE8,VTE5,VXE,VXE8,VXK,VXU1	
18	90630-751-000	CLIP, PURSE LOCK	1	---	LXE8,LXE9,PXE8,QXE,QXEK,QXE8,SHE,SWE,SWE2,SXE,SXE8,VTE5,VXE,VXE8,VXK,VXU1	
19	90672-SA0-003	STRAP, CABLE, 118MM(BLACK)	1	---	LXE8,LXE9,PXE8,QXE,QXEK,QXE8,SHE,SWE,SWE2,SXE,SXE8,VTE5,VXE,VXE8,VXK,VXU1	
20	91406-ZE2-003	TUBE, FASTENER, 30MM	1	---	LXE8,LXE9,PXE8,QXE,QXEK,QXE8,SHE,SWE,SWE2,SXE,SXE8,VTE5,VXE,VXE8,VXK,VXU1	
21	93500-03012-0H	SCREW, PAN, 3X12	2	---	LXE8,LXE9,PXE8,QXE,QXEK,QXE8,SHE,SWE,SWE2,SXE,SXE8,VTE5,VXE,VXE8,VXK,VXU1	
22	93500-04012-0H	SCREW, PAN, 4X12	1	---	LXE8,LXE9,PXE8,QXE,QXEK,QXE8,SHE,SWE,SWE2,SXE,SXE8,VTE5,VXE,VXE8,VXK,VXU1	
23	94001-04390-0S	NUT, HEX., 4MM	1	---	SHE,SWE,SWE2	
			2	---	LXE8,LXE9,PXE8,QXE,QXEK,QXE8,SXE,SXE8,VTE5,VXE,VXE8,VXK,VXU1	
24	94101-04800	WASHER, PLAIN, 4MM	1	---	LXE8,LXE9,PXE8,QXE,QXEK,QXE8,SXE,SXE8,VTE5,VXE,VXE8,VXK,VXU1	
25	94111-04800	WASHER, SPRING, 4MM	1	---	LXE8,LXE9,PXE8,QXE,QXEK,QXE8,SHE,SWE,SWE2,SXE,SXE8,VTE5,VXE,VXE8,VXK,VXU1	
26	98200-30500	FUSE, BLADE (5A)	1	---	LXE8,LXE9,PXE8,QXE,QXEK,QXE8,SHE,SWE,SWE2,SXE,SXE8,VTE5,VXE,VXE8,VXK,VXU1	



Ref. No.	L.O.N.	(Relative ref. Number) Description	F.R.T.
1	2141L1	COVER, REDUCTION GEAR CASE ...	0.2
2	2141Q0	PACKING, REDUCTION CASE	0.2
3	2141L2	GEAR, PRIMARY DRIVE	0.2
4		(5)	
	2091A2	COUNTERSHAFT	0.2
6	2141H4	SHAFT, POWER TAKE OFF	0.2
8	2101B0	BEARING, COUNTERSHAFT	0.3
9	2141F2	OIL SEAL, POWER TAKE OFF SHAFT	0.3
12	2141A8	BEARING, POWER TAKE OFF SHAFT	0.3

Ref. No.	Part No.	Description	Reqd. QTY	Serial No.	Parts catalogue code
			GX 390 T1		
1	11500-ZE3-611	COVER ASSY., GEAR CASE	1	-----	LBHB,LH,LHB5,LHP1,LH2,LP,LXE8,LXE9,LXU
	11500-ZK3-800	1	-----	LT
2	11521-ZE2-800	PACKING, CHAIN CASE COVER ...	1	-----	LBHB,LH,LHB5,LHP1,LH2,LP,LT,LXE8,LXE9,LXU
3	22103-ZE3-W00	GEAR, PRIMARY DRIVE (BANKA)	1	-----	LBHB,LHP1,LP
	22103-ZE3-610	GEAR, PRIMARY DRIVE (22T) ...	1	-----	LH,LHB5,LH2,LT,LXE8,LXE9,LXU
4	23220-ZE3-610	COUNTERSHAFT COMP. (21T/27T)	1	-----	LH,LHB5,LH2,LT,LXE8,LXE9,LXU
5	23222-ZE3-W00	GEAR, COUNTER (BANKA)(21T) ..	1	-----	LBHB,LHP1,LP
6	23710-ZE3-610	SHAFT, P.T.O. (33T)	1	-----	LBHB,LH,LHB5,LH2,LP,LXE8,LXE9,LXU
	23710-ZF6-Y30	SHAFT, P.T.O. (HPI)(33T)	1	-----	LHP1
	23710-ZK3-800	SHAFT, P.T.O. (33T)	1	-----	LT
7	90745-ZK2-800	KEY, 6.3X6.3X33	1	-----	LT
8	91009-KJ1-003	BEARING, RADIAL BALL, 6202	1	-----	LBHB,LH,LHB5,LHP1,LH2,LP,LT,LXE8,LXE9,LXU
		(NTN)	1	-----	LBHB,LH,LHB5,LHP1,LH2,LP,LT,LXE8,LXE9,LXU
9	91201-890-003	OIL SEAL, 30X46X8	1	-----	LBHB,LH,LHB5,LHP1,LH2,LP,LT,LXE8,LXE9,LXU
10	94301-08140	DOWEL PIN, 8X14	2	-----	LBHB,LH,LHB5,LHP1,LH2,LP,LT,LXE8,LXE9,LXU
11	95701-08040-00	BOLT, FLANGE, 8X40	6	-----	LBHB,LH,LHB5,LHP1,LH2,LP,LT,LXE8,LXE9,LXU
12	96100-62060-00	BEARING, RADIAL BALL, 6206 ..	1	-----	LBHB,LH,LHB5,LHP1,LH2,LP,LT,LXE8,LXE9,LXU



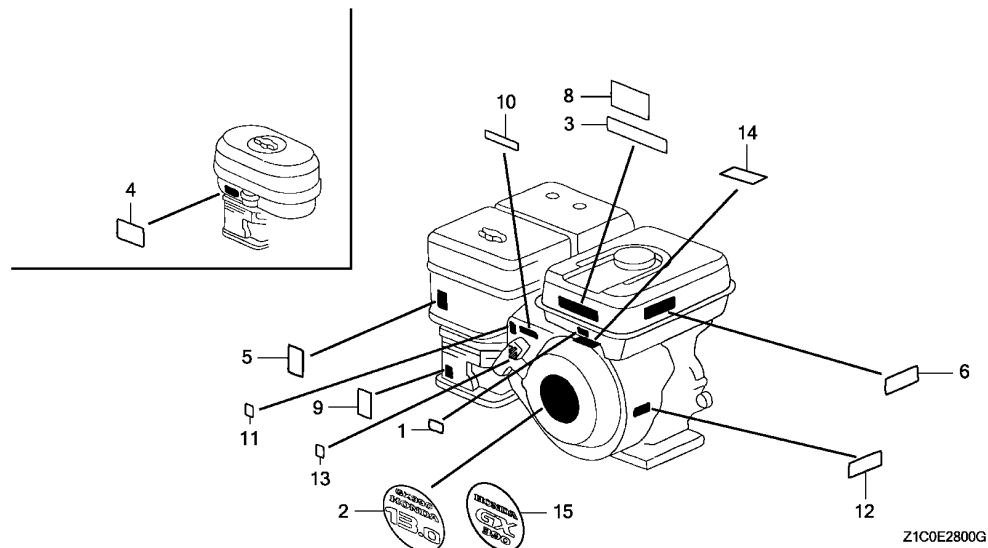


Ref. L.O.N. (Relative ref. Number) F.R.T.
No. Description

NO INFORMATION

2

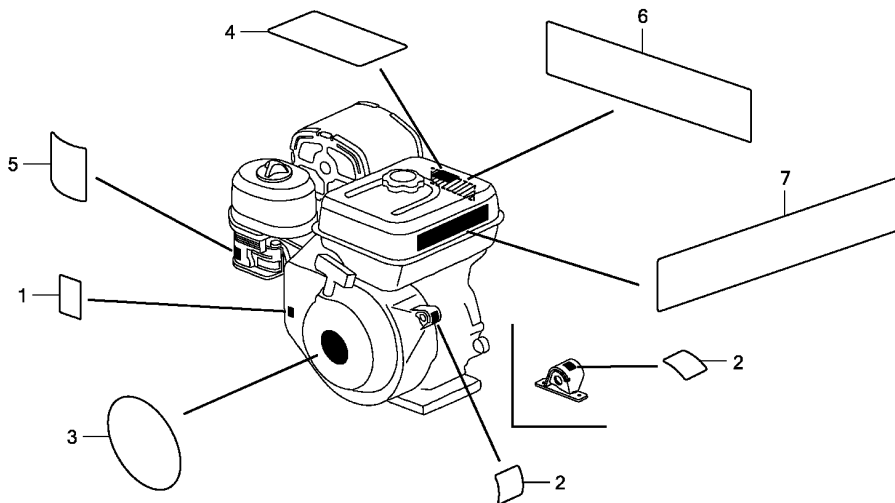
Ref. No.	Part No.	Description	Reqd. QTY	Serial No.	Parts catalogue code
			GX 390 T1		
1	87135-ZE2-020	LABEL, E-SPEC (15.5X27.5) ...	1	-----	LH,LHB5,LHP1,LP,LT,LXE8,LXU,PX,PXE8,PXU,QH,QHB3,QHB5,QHP1,QMH,QP,QT,QX,QXE,QXE8,QXQ4,QXU,SH,SHE,SN,SWE,SWX,SX,SXC,SXE,SXE8,SXQ4,VX,VXE,VXE8,VXU1,VX8
2	87521-ZF6-W03	EMBLEM (GX390 HONDA 13.0) ...	1	-----	LXE8,LXU,PXE8,PXU,QAA2,QAA6,QA2,QA26,QXE8,QXQ4,QXU,SXE8,SXQ4,VXE8,VX8
3	87522-Z0T-800	LABEL, CAUTION	1	-----	1363842 LH,LHB5,LT,LXE9,PX,QH,QHB3,QHB5,QHP1,QMH,QP,QT,QTQ,QX,QXE,QXEK,QXK,SH,SHE,SN,SWE,SWX,SX,SXC,SXE,VSP,VTE5,VX,VXE,VXK,VXU1
	87522-Z0T-810	LABEL, CAUTION (THAI)	1	-----	LH,LHB5,LHP1,LP,LXE8,LXU,PX,PXE8,PXU,QAA2,QAA6,QA2,QA26,QH,QHB3,QHB5,QHP1,QMH,QN,QP,QX,QXE,QXE8,QXU,SH,SHE,SN,SWE,SWX,SX,SXC,SXE,SXE8,VX,VXE,VXE8,VXU1,VX8
	87516-Z0S-800	MARK, OPERATOR CAUTION	1	-----	LT,QT,QTQ
4	87524-Z0T-800	MARK, AIR CLEANER CAUTION (COIL BATH)	1	-----	LXE9,QXEK,QXK,VXK
	87524-Z0S-800	1	-----	1473299 LT,QP,QT,QTQ,SWX
	87524-Z0S-801	1	-----	LH2,SWE2,SWX2
5	87528-ZE2-810	MARK, CHOKE (ORANGE)	1	-----	1473300 SWE2,SWX2
	87528-Z0T-800	MARK, CHOKE (THAI)	1	-----	LH,LHB5,LHP1,LXE8,LXU,PX,PXE8,PXU,QAA2,QAA6,QA2,QA26,QH,QHB3,QHB5,QHP1,QMH,QP,QX,QXE,QXEK,QXE8,QXK,QXU,SH,SHE,SN,SWE,SWX,SX,SXC,SXE,SXE8,VTE5,VX,VXE,VXE8,VXK,VXU1,VX8
	87528-ZH7-000	MARK, CHOKE (GRAY)	1	-----	LT,QT,QTQ
6	87532-ZH8-810	MARK, OIL ALERT (ENGLISH) ...	1	-----	LXE9
	87532-ZB4-H50	MARK, OIL ALERT (FRENCH)	1	-----	LXE8,LXU,PX,PXE8,PXU,QAA2,QAA6,QA2,QA26,QX,QXE,QXEK,QXE8,QXK,QXU,SWX,SWX2,SX,SXC,SXE,SXE8,VX,VXE,VXE8,VXK,VXU1,VX8
8	87516-Z0T-800	MARK, OPERATOR CAUTION	1	-----	QA26
9	87528-ZE2-810	MARK, CHOKE (ORANGE)	1	-----	QXQ4,SXQ4,VSP
	87528-ZF6-W40	MARK, CHOKE (BLACK)	1	-----	LH2,QN,SWE2,SWX2
	87528-ZH7-000	MARK, CHOKE (GRAY)	1	-----	QXQ4,SXQ4
10	87532-ZH8-W40	MARK, THROTTLE INDICATION ...	1	-----	VSP
					QXQ4,SXQ4



Z1C0E2800G

Ref. No.	Part No.	Description	Reqd. QTY		Serial No.	Parts catalogue code
			GX 390	T1		
10)	87532-ZH7-000	MARK, THROTTLE INDICATION ...	1		----- LXE9	
	11	87135-ZE2-020 LABEL, E-SPEC (15.5X27.5) ...	1		----- VTE5	
	12	87532-ZH8-810 MARK, OIL ALERT (ENGLISH) ...	1		----- VTE5	
	13	87114-ZH7-000 LABEL, WARNING (NOT CERTIFIED FOR SALE)	1		----- LH2, LXE9, QN, QTD, QXEK, QXK, SWE2, SWX2, VXK	
	87114-ZH7-840	1		----- VSP	
	14	87516-Z0S-810 MARK, OPERATOR CAUTION	1		----- LH2, SWE2, SWX2	
	15	87521-ZF6-W04 EMBLEM (HONDA GX390)	1		----- LH2, QN, SWE2, SWX2	
			1	1363843	----- LH, LHB5, LT, LXE9, PX, QH, QHB3, QHB5, QHP1, QMH, QP, QT, QTD, QX, QXE, QXEK, QXK, SH, SHE SN, SWE, SWX, SX, SXC, SXE, VSP, VTE5, VX, VXE, VXK, VXU1	



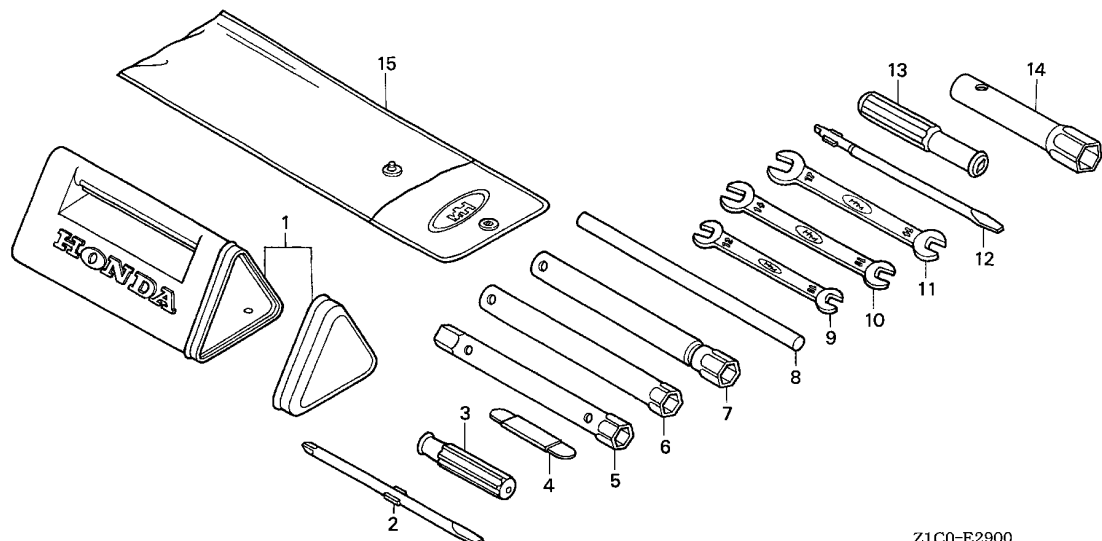


Z1C0E2801

Ref. L.O.N. (Relative ref. Number) F.R.T.
No. Description

NO INFORMATION

Ref. No.	Part No.	Description	Reqd. QTY	Serial No.	Parts catalogue code
			GX 390 T1		
1	87114-ZH7-000	LABEL, WARNING (NOT CERTIFIED FOR SALE)	1	-----	LBHB, QBH, QBHS, QBLS, QBS
2	87124-Z0T-800	MARK, STOP SWITCH	1	-----	LBHB, QBH, QBHS, QBLS, QBS
3	87521-Z1C-810	EMBLEM	1	-----	QBLS, QBS
	87521-Z1C-820	1	-----	LBHB, QBH, QBHS
4	87522-Z0T-820	LABEL, CAUTION	1	-----	LBHB, QBH, QBHS, QBLS, QBS
5	87528-ZE2-810	MARK, CHOKE (ORANGE)	1	-----	LBHB, QBH, QBHS, QBLS, QBS
6	87531-Z0T-800	MARK, HONDA	1	-----	LBHB, QBH, QBHS, QBLS, QBS
7	87602-Z0T-800	MARK, SALES POINT	1	-----	LBHB, QBH, QBHS



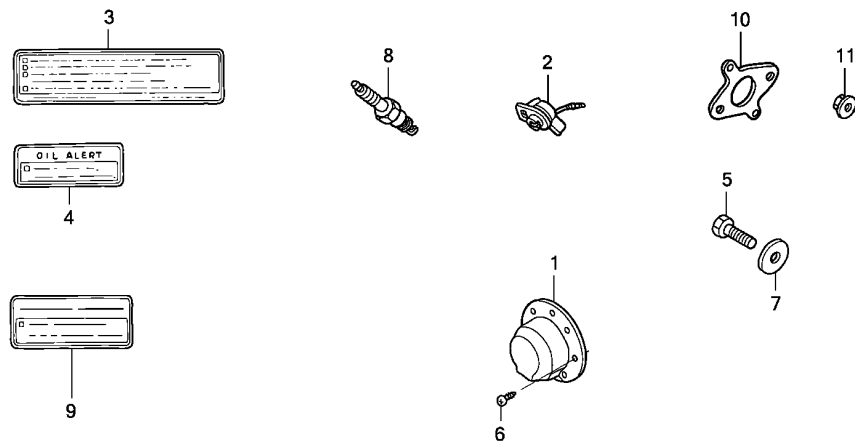
Z1C0-E2900

Ref. No. L.O.N. (Relative ref. Number) Description F.R.T.

NO INFORMATION

Ref. No.	Part No.	Description	Reqd. QTY	Serial No.	Parts catalogue code
			GX 390 T1		
1	83501-ZF1-000	BOX, TOOL	1	-----	LBHB,LT,QBH,QBHS,QBLS,QBS,QHB3,QN,QT,QTD,SWX,SWX2
2	89102-538-000	DRIVER, SCREW (NO.2 + -)	1	-----	LBHB,LT,QBH,QBHS,QBLS,QBS,QHB3,QN,QT,QTD,SWX,SWX2
3	89103-538-000	GRIP	1	-----	LBHB,LT,QBH,QBHS,QBLS,QBS,QHB3,QN,QT,QTD,SWX,SWX2
4	89210-ZF1-000	GAUGE ASSY., THICKNESS	1	-----	LBHB,LT,QBH,QBHS,QBLS,QBS,QHB3,QN,QT,QTD,SWX,SWX2
5	89216-ZF1-000	WRENCH, BOX	1	-----	LBHB,LT,QBH,QBHS,QBLS,QBS,QHB3,QN,QT,QTD,SWX,SWX2
6	89216-Z0T-800	WRENCH, SPARK PLUG	1	-----	LBHB,LHP1,LT,QAA2,QAA6,QA2,QA26,QBH,QBHS,QBLS,QBS,QHB3,QHP1,QMH,QN,QP,QT,QTD,SWX,SWX2
7	89218-ZE1-000	WRENCH COMP., SPARK PLUG	(1)	-----	LP
8	89219-805-000	HANDLE, BOX WRENCH	1	-----	SN
9	99005-01000	BAR A, HANDLE	1	-----	LBHB,LHP1,LT,QBH,QBHS,QBLS,QBS,QHB3,QHP1,QMH,QN,QP,QT,QTD,SN,SWX,SWX2
9	99001-10120	SPANNER, 10X12	1	-----	LHB5,QHB5
10	99001-10140	SPANNER, 10X14	1	-----	LBHB,LHB5,LHP1,LT,QBH,QBHS,QBLS,QBS,QHB3,QHB5,QHP1,QMH,QN,QP,QT,QTD,SWX,SWX2
11	99001-14170	SPANNER, 14X17	1	-----	LBHB,LT,QBH,QBHS,QBLS,QBS,QHB3,QN,QT,QTD,SWX,SWX2
12	99003-30000	DRIVER MINUS SCREW 3,(NO.2)	1	-----	LHP1,QHP1,QMH,QP
13	99003-50000	GRIP, SCREW DRIVER	1	-----	LHB5,QHB5
14	99004-21003	WRENCH, BOX (P21)	1	-----	LHB5,QHB5
15	99008-02000	BAG, TOOL, 200MM	1	-----	LHB5,QHB5
	99008-02300	BAG, TOOL, 230MM	1	-----	LBHB,LHP1,LT,QBH,QBHS,QBLS,QBS,QHB3,QHP1,QMH,QN,QP,QT,QTD,SN,SWX,SWX2





Z1C0E4000B

Ref. No. L.O.N. (Relative ref. Number) Description F.R.T.

NO INFORMATION

Ref. No.	Part No.	Description	Reqd. QTY		Serial No.	Parts catalogue code
			GX	T1		
1	18331-ZE3-810	CAP, MUFFLER	1	-----	1443262	LHP1,QHP1
	18331-ZE3-811	1	1443263	-----	LHP1,QHP1
2	35120-Z0D-V81	SWITCH ASSY., ENGINE STOP ...	1	-----	-----	LP
3	87522-Z0T-800	LABEL, CAUTION	1	-----	-----	VTE5
4	87532-ZH8-810	MARK, OIL ALERT (ENGLISH) ...	1	-----	-----	VTE5
5	90003-ZE3-600	BOLT, HEX., 3/8-24UNF(25MM) -	1	-----	-----	LT
6	90055-ZE1-000	SCREW, TAPPING, 4X6	3	-----	-----	LHP1,QHP1
7	90471-ZE3-000	WASHER, 10.5X40X4	1	-----	-----	LT
8	98079-56876	PLUG, SPARK (BPR6ES)	1	-----	-----	LHB5,QHB3,QHB5,SWX,SWX2
9	87532-ZB4-H50	MARK, OIL ALERT (FRENCH)	1	-----	-----	QAA6
10	18333-ZF6-W01	GASKET, EX. PIPE	1	-----	-----	QTD
11	94050-08000	NUT, FLANGE, 8MM	2	-----	-----	QTD

PART NO. INDEX

H 1

Part Number	Address	Page	Ref.	Part Number	Address	Page	Ref.	Part Number	Address	Page	Ref.	Part Number	Address	Page	Ref.											
11000				13103-ZF6-810	D11	35	2	15600-Z0T-820	D5	29	3	16500-Z1C-800	F7	63	6											
11300-Z1C-000	D5	29	1	13103-ZF6-811	D11	35	2	D7	31	4	16500-Z1C-810	F10	66	1	16957-ZE1-812	E7	47	19								
11300-Z1C-600	D5	29	1	13103-ZF6-W00	D11	35	2	15600-Z1C-000	D5	29	4	16500-Z1C-820	F10	66	2	E5	45	22								
11300-Z1C-800	D6	30	15	13103-ZF6-W01	D11	35	2	D7	31	5	16510-ZE3-000	D5	29	6	E7	47	20									
11300-Z1C-810	D7	31	1	13104-Z5T-000	D12	36	2	15625-Z0T-800	D5	29	5	D7	31	7	E5	45	23									
11300-ZE3-614	D7	31	2	13104-ZF6-810	D11	35	2	D7	31	6	16531-Z0A-000	D5	29	7	17000											
11300-ZE3-W00	D7	31	1	13104-ZF6-811	D12	36	2	D7	31	8	D7	31	8	17210-ZE3-010	E9	49	2									
11381-ZE3-801	D5	29	2	13104-ZF6-W00	D11	35	2	16000	16010-ZE2-015	E3	43	1	16541-ZE3-010	D3	27	3	17218-ZE3-000	E9	49	3						
	D7	31	3	13104-ZF6-W01	D12	36	2	E7	47	1	16551-Z1C-800	F7	63	1	16551-ZE3-000	F7	63	1	17230-ZE3-811	E11	51	2				
11500-ZE3-611	F13	69	1	13111-ZF6-W00	D12	36	3	16010-ZE2-812	E3	43	1	16555-ZE3-000	F7	63	2	16555-ZE3-000	F7	63	2	17231-ZE2-000	E12	52	1			
11500-ZK3-800	F13	69	1	13200-Z1C-000	D12	36	4	E7	47	1	16556-Z1C-810	F10	66	3	16561-Z1C-800	F7	63	3	17231-ZE3-W01	E9	49	4				
11521-ZE2-800	F13	69	2	13200-Z1C-305	D12	36	4	16011-ZA0-931	E3	43	2	16561-ZF6-T21	F7	63	3	17232-891-000	E9	49	5	17233-896-701	E14	54	17			
12000				13200-ZF6-000	D12	36	4	E7	47	2	16561-ZE3-000	F7	63	3	17235-ZH9-N00	E9	49	6	17235-ZH9-N01	E9	49	6				
12000-Z1C-305	D3	27	1	13215-ZF6-003	D12	36	5	16013-Z1C-003	E3	43	3	16561-ZF6-W31	F7	63	3	17238-ZE2-310	E9	49	7	17239-ZE1-000	E9	49	8			
12000-Z1C-405	D3	27	1	13216-ZF6-003	D12	36	5	E7	47	3	16561-ZF6-W32	F7	63	3	E11	51	3	E12	52	2	1					
12000-Z1C-406	D3	27	1	13217-ZF6-003	D12	36	5	16015-Z1C-801	E3	43	4	16562-Z1C-810	F10	66	4	E12	52	2	E12	52	2	1				
12000-Z1C-407	D3	27	1	13218-ZF6-003	D12	36	5	16015-ZE8-005	E3	43	4	16562-ZE3-000	F7	63	4	17239-ZE1-000	E9	49	8	E9	49	8	1			
12000-Z1C-408	D3	27	1	13310-Z1C-810	D8	32	2	E7	47	4	16570-Z1C-810	F10	66	5	E11	51	4	E11	51	4	3	1				
12000-Z1C-409	D3	27	1	13310-Z1C-840	D8	32	3	16016-ZE0-005	E3	43	5	16570-Z1C-820	F10	66	6	E12	52	3	E12	52	3	1				
12200-Z1C-406	D1	25	1	13310-Z1C-860	D8	32	4	E7	47	5	16570-ZE3-721	F7	63	8	17250-Z1C-810	E12	52	4	17250-Z1C-810	E12	52	4	1			
12204-ZE2-306	D1	25	2	13310-Z1C-870	D8	32	5	16016-ZF6-005	E3	43	5	16570-ZE3-W00	F7	63	5	17402-ZE3-810	E11	51	5	17402-ZE3-810	E11	51	5	1		
12205-ZE2-305	D1	25	3	13310-ZF6-W11	D8	32	2	16016-ZH7-W01	E6	46	29	16570-ZE3-W10	F7	63	6	17410-ZE3-020	E12	52	5	17410-ZE3-020	E12	52	5	1		
12209-ZE8-003	D14	38	1	13310-ZF6-W12	D8	32	2	16024-Z0T-841	E3	43	6	16570-ZE3-W20	F7	63	7	17410-ZE3-010	E11	51	6	17410-ZE3-010	E11	51	6	1		
12216-ZE2-300	D1	25	4	13310-ZF6-W22	D8	32	1	16024-ZE1-811	E3	43	6	16571-Z1C-800	F8	64	9	17410-ZH9-N00	E10	50	9	17410-ZH9-N00	E10	50	9	1		
12251-Z1C-801	D1	25	5	13310-ZF6-W41	D8	32	3	E7	47	6	16571-ZE3-W00	F8	64	9	17420-Z0T-800	E12	52	6	17420-Z0T-800	E12	52	6	1			
12251-Z1C-811	D2	26	16	13310-ZF6-W42	D8	32	3	16028-Z0T-841	E4	44	7	16574-ZE1-000	F8	64	10	17420-ZE3-810	E11	51	7	17420-ZE3-810	E11	51	7	1		
12251-ZF6-W00	D1	25	5	13310-ZF6-W72	D8	32	5	16028-ZE0-005	E4	44	7	16575-Z1C-810	F8	64	11	17510-Z1C-810ZA	F1	57	3	17510-Z1C-810ZA	F1	57	3	1		
12310-Z1C-800	D1	25	6	13310-ZF6-Y30	D8	32	1	E7	47	7	F10	66	7	17510-ZE3-020ZA	F1	57	3	17510-ZE3-020ZA	F1	57	3	1				
12310-ZE2-020	D1	25	6	13310-ZF6-Y32	D8	32	1	16044-ZE3-W20	E4	44	8	16575-ZE2-W00	F8	64	11	17510-ZE3-020ZB	F1	57	3	17510-ZE3-030ZA	F1	57	3	1		
12391-ZE2-020	D1	25	7	13351-ZE3-010	D8	32	6	E7	47	8	16576-891-000	F8	64	12	17620-Z0T-813	F1	57	4	17620-Z0T-813	F1	57	4	1			
13000				14000				16100-Z1C-601	E4	44	9	16578-ZE1-000	F8	64	13	17620-Z0T-820	F1	57	4	17631-Z0T-801	F1	57	5	1		
13010-Z1C-800	D10	34	1	14100-Z1C-800	D14	38	2	16100-Z1C-651	E4	44	9	F10	66	9	17672-Z4H-000	F2	58	12	17672-Z4H-000	F2	58	12	1			
13010-Z5R-004	D10	34	1	14100-ZF6-L02	D14	38	2	16100-Z1C-801	E4	44	9	16580-Z1C-800	F8	64	14	17672-ZE2-W01	F1	57	6	17672-ZE2-W01	F1	57	6	1		
13010-Z5T-003	D10	34	1	14100-ZF6-W01	D14	38	2	16100-Z1C-811	E4	44	9	16580-Z1C-810	F10	66	11	17841-Z1C-810	F10	66	16	17841-Z1C-810	F10	66	16	1		
13011-Z1C-800	D10	34	1	14410-Z1C-000	D14	38	3	16100-Z1C-811	E4	44	9	16580-Z1C-820	F10	66	12	18000										
13011-Z5R-004	D11	35	1	14431-ZE2-010	D14	38	4	16100-Z1C-V01	E4	44	9	16581-ZE3-W00	F8	64	14	18310-Z1C-810	E16	56	1	18310-Z1C-810	E16	56	1	1		
13011-Z5T-003	D11	35	1	14441-ZE2-000	D14	38	5	16100-Z1C-V51	E4	44	9	16581-ZE3-W00	F8	64	14	18310-ZE2-W61	E13	53	1	18310-ZE2-W61	E13	53	1	1		
13012-Z1C-800	D10	34	1	14451-ZE1-013	D14	38	6	16100-Z1C-W21	E7	47	9	16584-883-300	F8	64	15	18320-ZE2-W61	E13	53	2	18320-ZE2-W61	E13	53	2	1		
13012-Z5R-004	D11	35	1	14568-Z1C-800	D14	38	7	16100-Z1C-W31	E4	44	9	F10	66	13	18323-ZE3-W40	E13	53	3	18323-ZE3-W40	E13	53	3	1			
13012-Z5T-003	D11	35	1	14568-ZE1-000	D14	38	7	16100-Z1C-Y31	E4	44	9	16592-883-310	F9	65	15	18330-ZE2-W00	E13	53	4	18330-ZE2-W00	E13	53	4	1		
13013-Z1C-800	D10	34	1	14568-ZE3-790	D14	38	7	16124-ZE0-005	E4	44	10	16592-Z1C-810	F9	65	16	18331-Z1C-800	E16	56	2	18331-Z1C-800	E16	56	2	1		
13013-Z5R-004	D11	35	1	14711-Z1C-800	D14	38	8	E7	47	10	16594-883-010	F9	65	17	18331-ZE3-810	E13	53	5	18331-ZE3-810	E13	53	5	1			
13013-Z5T-003	D11	35	1	14711-ZE3-000	D14	38	8	16166-Z1C-801	E4	44	11	F10	66	14	G2	74	1	G2	74	1	G2	74	1	1		
13101-Z5T-000	D11	35	2	14721-ZE3-000	D14	38	9	16166-ZF6-V00	E4	44	11	16599-ZG1-M10	F9	65	27	E13	53	6	E13	53	6	E13	53	6	1	
13101-ZF6-810	D11	35	2	14721-ZK6-800	D14	38	9	16166-ZF6-W20	E4	44	11	16610-ZE1-000	E5	45	18	18333-ZE3-800	E13	53	6	18333-ZE3-800	E13	53	6	1		
13101-ZF6-811	D11	35	2	14751-Z1C-000	D14	38	10	E7	47	11	E7	47	16	18333-ZF6-W01	E13	53	7	E13	53	7	E16	56	3	1		
13101-ZF6-W00	D11	35	2	14771-ZE2-000	D15	39	11	16220-ZA0-702	E5	45	15	16731-ZE2-003	E1	41	1	18335-ZE2-W00	E13	53	8	18335-ZE2-W00	E13	53	8	1		
13101-ZF6-W01	D11	35	2	14773-ZE2-000	D15	39	12	E7	47	12	E2	42	1	18381-Z1C-801	E14	54	10	E2	42	1	G2	74	10	1		
13102-Z5T-000	D11	35	2	14775-ZE2-010	D15	39	13	16221-ZF6-800	E5	45	16	16854-ZH8-000	F1	57	1	18381-Z1C-801	E14	54	10	16854-ZH8-000	F1	57	1	1		
13102-ZF6-810	D11	35	2	14781-ZE2-000	D15	39	14	E7	47	13	16953-ZE1-812	E5	45	19	18335-ZE3-810	E13	53	9	E5	45	19	18335-ZE3-810	E13	53	9	1
13102-ZF6-811	D11	35	2	14791-ZE2-010	D15	39	15	16223-ZE3-W00	E5	45	17	E7	47	17	18355-ZE2-W00	E13	53	8	E7	47	17	18355-ZE2-W00	E13	53	8	1
13102-ZF6-W00	D11	35	2	15000				E5	45	17	16271-ZE2-010	E9	49	1	18381-Z1C-801	E14	54	10	E5	45	20	18381-Z1C-801	E14	54	10	1
13102-ZF6-W01	D11	35	2	15510-ZE2-043	D3	27	2	E7	47	15	16954-ZE1-8															

PART NO. INDEX

H 3

Part Number	Address	Page	Ref.	Part Number	Address	Page	Ref.	Part Number	Address	Page	Ref.	Part Number	Address	Page	Ref.
93000				96000											
93500-03006-1H	E5	45	24	96100-62020-00	D4	28	15								
	E7	47	21		D6	30	13								
93500-03012-OH	F12	68	21		D7	31	14								
93500-04006-OH	F9	65	22	96100-62040-00	D7	31	15								
	F10	66	19	96100-62060-00	F13	69	12								
93500-04012-OH	F12	68	22	96100-62070-00	D6	30	14								
93500-05016-OA	F9	65	23		D7	31	16								
	F10	66	20	98000											
93500-05025-OH	F9	65	24												
	F10	66	21												
93500-05032-OA	F9	65	24	98079-55841	D2	26	15								
93500-05045-OA	F9	65	25	98079-55876	D2	26	15								
93891-05012-00	E15	55	28	98079-56871	D2	26	15								
93891-06020-07	E15	55	29	98079-56876	D2	26	15								
93892-05032-18	F6	62	18		G2	74	8								
				98200-30500	F12	68	26								
94000				99000											
94001-04390-0S	F12	68	23												
94050-06000	E5	45	25	99001-10120	G1	73	9								
	E10	50	12	99001-10140	G1	73	10								
	E11	51	10	99001-14170	G1	73	11								
	F9	65	26	99003-30000	G1	73	12								
94050-08000	E14	54	15	99003-50000	G1	73	13								
	E16	56	7	99004-21003	G1	73	14								
	F2	58	8	99005-01000	G1	73	8								
	G2	74	11	99008-02000	G1	73	15								
94050-10000	D4	28	11	99008-02300	G1	73	15								
94070-06080	F6	62	19	99101-ZH8-0880	E6	46	27								
94101-04800	F12	68	24	99101-ZH8-0900	E6	46	27								
94101-06800	D6	30	11	99101-ZH8-0920	E6	46	27								
	D7	31	12	99101-ZH8-0950	E6	46	27								
94103-05700	E15	55	30	99101-ZH8-1000	E6	46	27								
94109-12000	D4	28	12		E7	47	23								
94111-04800	F12	68	25	99101-ZH8-1020	E6	46	27								
94111-05000	E15	55	31		E7	47	23								
94251-10000	D4	28	13	99101-ZH8-1050	E6	46	27								
94301-08140	F13	69	10		E8	48	23								
94301-12200	D2	26	13	99101-ZH8-1080	E6	46	27								
94305-20122	E6	46	26	99101-ZH8-1100	E6	46	27								
	E7	47	22	99204-ZA0-0400	E6	46	28								
94540-05018	F9	65	21		E8	48	24								
	F10	66	22	99204-ZA0-0450	E6	46	28								
95000															
95001-45235-40	F2	58	9												
95002-02080	F2	58	10												
95005-11105-30	D1	25	8												
95701-06012-00	D4	28	14												
95701-08025-00	F2	58	11												
95701-08035-08	F6	62	20												
95701-08040-00	D6	30	12												
	D7	31	13												
	F13	69	11												
95701-10080-00	D2	26	14												

3

PART NAME INDEX

Part name	Address	Page	Ref.	Part name	Address	Page	Ref.	Part name	Address	Page	Ref.
[A]											
ALERT UNIT, OIL	D3	27	4	BOLT, FLANGE, 8X40	F13	69	11	COLLAR B, AIR CLEANER	E11	51	4
	F11	67	10	BOLT, GOVERNOR ARM	F9	65	19		E12	52	3
ARMATURE COMP.	F6	62	2	BOLT, HEAD COVER	D2	26	10	COLLAR, AIR CLEANER	E9	49	7
ARM, GOVERNOR	F7	63	1	BOLT, HEX., 3/8-24UNF	G2	74	5		E11	51	3
ARM, VALVE ROCKER	D14	38	4	BOLT, HEX., 8X25	D8	32	7		E12	52	2
ARRESTER, SPARK	E13	53	8	BOLT, PIVOT, 8MM	D15	39	16	COLLAR, AIR CLEANER CASE	E14	54	17
				BOLT, STUD, 8X106	D2	26	11	COLLAR, SETTING	E5	45	12
				BOLT, STUD, 8X131.5	D2	26	11	COLLAR, STOPPER	F9	65	27
				BOLT, STUD, 8X32	D1	25	9	CONTACTOR ASSY.	F6	62	1
				BOLT, STUD, 8X34	D1	25	9	CONTROL ASSY.	F7	63	5
				BOLT, STUD, 8X50	D1	25	9				
				BOX ASSY., CONTROL	F11	67	1				6
							2				7
							8				8
BAG, TOOL, 200MM	G1	73	15	BOX, TOOL	G1	73	1		F10	66	1
BAG, TOOL, 230MM	G1	73	15	BRACKET COMP., STOP SWITCH	E2	42	7				2
BAND	F11	67	9	BRACKET, CASE MOUNTING	F11	67	4	CORD, STOP SWITCH	F5	61	8
BARREL ASSY., CYLINDER	D3	27	1	BRACKET, CENTER	F6	62	5	COUNTERSHAFT COMP.	F13	69	4
BAR A, HANDLE	G1	73	8	BRACKET, FR.	F6	62	6	COVER ASSY., CRANKCASE	D5	29	1
BASE COMP., CONTROL	F8	64	14	BRUSH	F6	62	8		D6	30	15
	F10	66	11	[C]					D7	31	1
			12								2
BASE COMP., MUFFLER COVER	E14	54	20	CAMSHAFT ASSY.	D14	38	2	COVER ASSY., GEAR CASE	F13	69	1
BEARING A, CONNECTING ROD	D12	36	5	CAP ASSY., NOISE SUPPRESSOR ...	F4	60	2	COVER COMP., AIR CLEANER	E11	51	2
BEARING B, CONNECTING ROD	D12	36	5	CAP ASSY., OIL FILLER	D5	29	3	COVER COMP., FAN	E1	41	2
BEARING C, CONNECTING ROD	D12	36	5				4		E2	42	2
BEARING D, CONNECTING ROD	D12	36	5				4	COVER COMP., HEAD	D1	25	6
BEARING, RADIAL BALL, 6202 ...	D4	28	15				5	COVER COMP., MUFFLER	E14	54	18
	D6	30	13	CAP COMP., AIR CLEANER	E11	51	7	COVER COMP., RR. MUFFLER	E14	54	19
	D7	31	11		E12	52	6	COVER, AIR CLEANER	E9	49	4
			14	CAP COMP., FUEL FILLER	F1	57	4	COVER, CYLINDER HEAD	E12	52	1
	F13	69	8	CAP, MUFFLER	E13	53	5	COVER, CYLINDER HEAD	D1	25	6
BEARING, RADIAL BALL, 6204 ...	D7	31	15		G2	74	1	CRANKSHAFT COMP.	D8	32	1
BEARING, RADIAL BALL, 6206 ...	F13	69	12	CARBURETOR ASSY.	E4	44	9				2
BEARING, RADIAL BALL, 6207 ...	D6	30	14		E7	47	9				3
	D7	31	16	CASE COMP., RECOIL STARTER	D16	40	2				4
BEARING, RADIAL BALL, 6207S ..	D9	33	10	CASE, CONTROL	F11	67	3	CUP, FUEL STRAINER	E5	45	23
BEARING, RADIAL BALL, 6207SH ..	D9	33	10	CHAMBER SET, FLOAT	E3	43	4	[D]			
BOLT-WASHER, 5X14	F6	62	15	CHOKE SET	E4	44	8	DEFLECTOR, MUFFLER	E16	56	5
BOLT-WASHER, 6X22	E10	50	10		E7	47	8	DOWEL PIN, 12X20	D2	26	13
	E11	51	8	CIRCLIP, 5MM	F9	65	21	DOWEL PIN, 8X12	D5	29	9
BOLT, CONNECTING ROD	D13	37	6	CLAMPER, CORD	F4	60	5		D7	31	10
BOLT, DRAIN PLUG, 12X15	D3	27	6	CLIP, GOVERNOR HOLDER	D5	29	8	DOWEL PIN, 8X14	F13	61	10
BOLT, FLANGE, 10X80	D2	26	14		D7	31	9	DRIVER 3, MINUS SCREW	G1	73	12
BOLT, FLANGE, 6X10	D16	40	12	CLIP, HARNESS	F5	61	13	DRIVER, SCREW	G1	73	2
BOLT, FLANGE, 6X12	D3	27	5	CLIP, PISTON PIN, 20MM	D13	37	7	[E]			
	D4	28	14	CLIP, PURSE LOCK	F12	68	18	ELBOW COMP., AIR CLEANER	E10	50	9
	E1	41	7	CLIP, TUBE	E1	41	1		E11	51	6
	E2	42	8		E2	42	1		E12	52	5
	E14	54	12	CLIP, VALVE GUIDE	D1	25	4	ELEMENT, AIR CLEANER	E9	49	2
	F5	61	10	CLUTCH COMP., OVERRUNNING	F6	62	3	EMBLEM	F14	70	2
	F9	65	18	COIL ASSY., CHARGE	F5	61	7		F15	71	15
	F10	66	17	COIL ASSY., IGNITION	F4	60	1		F16	72	3
	F12	68	16		F5	61	14	E-RING, 5MM	F9	65	21
	E12	52	7	COIL ASSY., LAMP	F4	60	3				
BOLT, FLANGE, 6X18	F5	61	12		D6	30	12				
BOLT, FLANGE, 6X28	F5	61	11	COLLAR B, AIR CLEANER	E9	49	8				
BOLT, FLANGE, 6X35	F5	61	11								
BOLT, FLANGE, 6X40	F5	61	9								
BOLT, FLANGE, 8X25	F2	58	11								
BOLT, FLANGE, 8X35	F6	62	20								
BOLT, FLANGE, 8X40	D6	30	12								
	D7	31	13								

PART NAME INDEX

Part name	Address	Page	Ref.	Part name	Address	Page	Ref.	Part name	Address	Page	Ref.
E-RING, 5MM	F10	66	22	[I]				MARK, THROTTLE INDICATION.....	F14	70	10
[F]				INSULATOR	F6	62	14		F15	71	10
FAN, COOLING	F3	59	1	INSULATOR, CARBURETOR	E5	45	14	MOTOR UNIT, STARTER	F6	62	4
FILTER, FUEL	F1	57	6		E7	47	12	MUFFLER COMP.	E13	53	1
FILTER, OUTER	F2	58	12	[J]					E16	56	1
FLOAT SET	E9	49	3	JET SET, PILOT,	E6	46	28	[N]			
FLYWHEEL COMP.	E3	43	3	JET, MAIN,	E8	48	24	NOSE, SILENCER	E9	49	6
	E7	47	3		E6	46	27	NOZZLE, MAIN	E4	44	11
FUSE, BLADE	F3	59	4		E7	47	23	NUT-WASHER, 6MM	E7	47	11
					E8	48	23	NUT, CAP, 6MM	F6	62	19
					F1	57	2	NUT, FLANGE, 10MM	E12	52	8
[G]				JOINT, FUEL TANK				NUT, FLANGE, 6MM	D4	28	11
GASKET SET	E3	43	1	[K]				NUT, FLANGE, 6MM	E5	45	25
GASKET, CYLINDER HEAD	E7	47	1	KEY COMP.	F11	67	12		E10	50	12
GASKET, EX. PIPE	D1	25	5	KEY, 6.3X6.3X33	F13	69	7		E11	51	10
	D2	26	16	KEY, 6.3X6.3X43	D8	32	9	NUT, FLANGE, 8MM	F9	65	26
	E13	53	6	KEY, 7X7X33	D8	32	9		E14	54	15
				KEY, SPECIAL WOODRUFF, 25X18 ..	F3	59	8		E16	56	7
	E16	56	3	[L]					F2	58	8
	G2	74	10	LABEL, CAUTION	F14	70	3	NUT, HEX., 16MM	G2	74	11
GASKET, MUFFLER	E13	53	9		F16	72	4	NUT, HEX., 4MM	E2	42	9
					G2	74	3	NUT, HEX., 5MM	F12	68	23
	E14	54	10	LABEL, E-SPEC	F14	70	1	NUT, PIVOT ADJUSTING	E15	55	27
	E16	56	4	LABEL, WARNING	F15	71	11	NUT, SELF-LOCK, 6MM	D15	39	17
GAUGE ASSY., THICKNESS	G1	73	4		F16	72	1	NUT, SPECIAL, 16MM	F9	65	20
GEAR, COUNTER	F13	69	5	LENS ASSY., PROTECTOR	F11	67	14	NUT, TOOL BOX SETTING	F10	66	18
GEAR, DRIVE PINION	F6	62	7	LEVER COMP., CHOKE	E5	45	18		F3	59	7
GEAR, PRIMARY DRIVE	F13	69	3	LEVER COMP., CONTROL	E7	47	16		E10	50	11
GEAR, REDUCTION	F6	62	11		F10	66	5	NUT, U, 6MM	E11	51	9
GOVERNOR ASSY.	D5	29	6	LEVER, COCK	E5	45	19	NUT, WING, 6MM	E15	55	26
	D7	31	7		E7	47	17		E10	50	13
GRID, AIR CLEANER	E12	52	4	LIFTER, VALVE	D14	38	5	[O]			
GRIP	G1	73	3					OIL SEAL, 30X46X8	F13	69	9
GRIP, SCREW DRIVER	G1	73	13	LEVER, CONTROL	F8	64	9	OIL SEAL, 35X52X8	D3	27	8
GRIP, STARTER	D16	40	9		E7	47	17		D6	30	10
GROMMET, AIR CLEANER	E9	49	5	LIFT, VALVE	D14	38	5	OIL SEAL, 8X14X5	D4	28	9
GROMMET, CORD	F5	61	6	[M]				O-RING, 14MM	D4	28	10
GROMMET, DRAIN HOLE	E1	41	6	MARK, AIR CLEANER CAUTION	F14	70	4		F2	58	7
GUIDE, EX. VALVE	D1	25	3	MARK, CHOKE	F14	70	5	[P]			
GUIDE, IN. VALVE	D1	25	2					PACKING	F6	62	17
[H]				MARK, CONTROL BOX	F11	67	15	PACKING, CARBURETOR	E5	45	16
HANDLE, BOX WRENCH	G1	73	8	MARK, HONDA	F16	72	6		E7	47	14
HEAD COMP., CYLINDER	D1	25	1	MARK, OIL ALERT	F14	70	6	PACKING, CASE COVER	D5	29	2
HOLDER, BRUSH	F6	62	12		F15	71	12		D7	31	3
HOLDER, CABLE	F8	64	12	MARK, OPERATOR CAUTION	F14	70	3	PACKING, CHAIN CASE COVER	F13	69	2
	F10	66	9					PACKING, ELBOW	E9	49	1
HOLDER, STOP SWITCH CORD	E1	41	5		G2	74	4		E11	51	1
HOLDER, WIRE	F9	65	17					PACKING, FUEL COCK	E5	45	22
	F10	66	15	MARK, SALES POINT	F15	71	14		E7	47	20
				MARK, STOP SWITCH	F16	72	7	PACKING, FUEL FILLER CAP	F1	57	5
								PACKING, FUEL STRAINER CUP	E5	45	13
								PACKING, HEAD COVER	D1	25	7
								PACKING, INSULATOR	E5	45	17

PART NAME INDEX

13

Part name	Address	Page	Ref.	Part name	Address	Page	Ref.	Part name	Address	Page	Ref.
PACKING, INSULATOR	E7	47	15	SCREW, CENTER	D16	40	11	STARTER ASSY., RECOIL	D16	40	1
PACKING, OIL FILLER CAP	D5	29	5	SCREW, PAN, 3X12	F12	68	21	STAY, MUFFLER COVER	E14	54	21
	D7	31	6	SCREW, PAN, 3X6	E5	45	24	STRAP, CABLE, 118MM	F12	68	19
PANEL COMP., CONTROL	F11	67	5		E7	47	21	SUB HARNESS	F11	67	8
PAN, CLEANER OIL	E11	51	5	SCREW, PAN, 4X12	F12	68	22	SUSPENSION, COUPLER	F11	67	7
PIN, LOCK, 10MM	D4	28	13	SCREW, PAN, 4X6	F9	65	22	SWITCH ASSY., COMBINATION	F11	67	11
PIN, PISTON	D12	36	3		F10	66	19	SWITCH ASSY., ENGINE STOP	E1	41	4
PIN, SPRING, 2X12	E6	46	26	SCREW, PAN, 5X16	F9	65	23		E2	42	5
	E7	47	22		F10	66	20				6
PIPE, EX.	E13	53	4	SCREW, PAN, 5X25	F9	65	24		G2	74	2
	E16	56	2		F10	66	21	SWITCH ASSY., OIL LEVEL	D3	27	2
PISTON	D11	35	2	SCREW, PAN, 5X32	F9	65	24		D4	28	16
	D12	36	2	SCREW, PAN, 5X45	F9	65	25				
PIVOT, ROCKER ARM	D14	38	6	SCREW, RECESSED, 5X25	F9	65	28	[T]			
PLATE, LEVER SETTING	E5	45	20	SCREW, SPECIAL, 6X12	F12	68	17	TANK COMP., FUEL	F1	57	3
	E7	47	18	SCREW, TAPPING, 4X6	E14	54	14	TERMINAL ASSY., HIGH TENSION ..	F4	60	2
PLATE, PUSH ROD GUIDE	D15	39	15					TUBE, 11X105	D1	25	8
PLATE, SET	E14	54	22		E16	56	6	TUBE, BREATHER	D1	25	8
PLUG, SPARK	D2	26	15		G2	74	6	TUBE, FASTENER, 30MM	F12	68	20
	G2	74	8	SCREW, TAPPING, 5X25	E14	54	25	TUBE, FUEL, 4.5X235	F2	58	9
PROTECTOR COMP., MUFFLER	E13	53	2	SCREW, TAPPING, 5X8	E14	54	13				
PROTECTOR, CIRCUIT	F11	67	13					[V]			
PROTECTOR, EX. PIPE	E13	53	3					VALVE SET, FLOAT	E3	43	2
PULLEY COMP., STARTER	F3	59	2	SCREW, TAPPING, 6X10	E14	54	11		E7	47	2
PULLEY, RECOIL STARTER	D16	40	3	SCREW, THROTTLE STOP	E4	44	10	VALVE, EX.	D14	38	9
PULLEY, STARTER	F3	59	3		E7	47	10	VALVE, IN.	D14	38	8
[R]				SEAL, VALVE STEM	D14	38	1				
RATCHET, STARTER	D16	40	4	SEAT, VALVE SPRING	D15	39	13	[W]			
RECTIFIER ASSY., SILICON	F11	67	6	SHAFT, GOVERNOR ARM	D3	27	3	WASHER COMP., HEAD COVER	D2	26	12
RETAINER, EX. VALVE SPRING ...	D15	39	12	SHAFT, P.T.O.	F13	69	6	WASHER, 10.5X40X4	G2	74	7
RETAINER, IN. VALVE SPRING ...	D15	39	11	SHROUD	E1	41	3	WASHER, 16MM	E2	42	10
RETAINER, SPRING	D16	40	8		E2	42	4	WASHER, 8MM	D8	32	8
RING SET, PISTON	D10	34	1	SLIDER, GOVERNOR	D5	29	7	WASHER, 8.2X17X0.8	D3	27	7
	D11	35	1		D7	31	8	WASHER, CONTROL LEVER	F8	64	11
ROD ASSY., CONNECTING	D12	36	4	SPACER COMP., CARBURETOR	E5	45	15		F10	66	8
ROD, CONTROL	F10	66	3		E7	47	13		F8	64	11
ROD, GOVERNOR	F7	63	2	SPACER, CONTROL LEVER	F8	64	13		F10	66	8
ROD, PUSH	D14	38	3		F10	66	10	WASHER, DRAIN PLUG, 12MM	D4	28	12
ROD, THROTTLE	F10	66	16	SPACER, MUFFLER COVER	E14	54	23	WASHER, PLAIN, 4MM	F12	68	24
ROPE, RECOIL STARTER	D16	40	10	SPANNER, 10X12	G1	73	9	WASHER, PLAIN, 5MM	E15	55	30
ROTATOR, VALVE	D15	39	14	SPANNER, 10X14	G1	73	10	WASHER, PLAIN, 6MM	D6	30	11
RUBBER, SUPPORTER	F1	57	1	SPANNER, 14X17	G1	73	11		D7	31	12
				SPRING, BRUSH RETURN	F6	62	10	WASHER, SPRING, 4MM	F12	68	25
				SPRING, CABLE RETURN	F9	65	16	WASHER, SPRING, 5MM	E15	55	31
					F10	66	14	WEIGHT, BALANCER	D8	32	6
				SPRING, COCK LEVER	E5	45	21	WIRE, WATER COVER	F6	62	13
					E7	47	19	WRENCH COMP., SPARK PLUG	G1	73	7
				SPRING, CONTROL ADJUSTING	F8	64	15	WRENCH, BOX	G1	73	5
					F10	66	13				14
				SPRING, FRICTION	D16	40	5	[Y]			
				SPRING, GOVERNOR	F7	63	3	YOKE COMP.	F6	62	9
				SPRING, LEVER	F8	64	10				
					F10	66	7				
				SPRING, RATCHET	D16	40	7				
				SPRING, STARTER RETURN	D16	40	6				
				SPRING, THROTTLE RETURN	F7	63	4				
					F10	66	4				
				SPRING, VALVE	D14	38	10				
				SPRING, WEIGHT RETURN	D14	38	7				

1

FOREWORD INDEX

2

ENGINE GROUP

3

PART NUMBER INDEX

4

PART NAME INDEX

HONDA
The Power of Dreams



PARTS CATALOGUE NEWS

Honda Motor Co., Ltd. Service Division

PARTS CATALOGUE - CORRECTED

Printed in Japan

CODE NO.	13Z1C402
PARTS CATALOGUE NEWS	GX390T1
NEWS NO.	001

(THAILAND-KD)

Block No.	Ref. No.	Note	Part No.	Description	Reqd. QTY	Serial No.	Parts catalogue code			
E-12	4	E	36100-ZF6-P81	*PARTS NO. DELETION	1	-----				
		E	36100-ZF6-P82	*PARTS NO. DELETION						
	8	D	36100-ZF6-P81	SWITCH ASSY., ENGINE STOP						LXU, PX, PXU, QAA2, QAA6, QA2, QA26, QX, QXK, QXQ4, QXU, SWX, SX, SXC, SXQ4, VSP, VX, VX8
		T	36100-ZF6-P82				1	-----	QAPW, SWX2

NOTE A:PART NO. CHANGE D:NEWLY PROVIDED E:PART NO.DELETION K:REQUIRED NO. CORRECTION L:APPLICATION SERIAL NO. CORRECTION
T:APPLICATION CORRECTION Z:REMARKS CHANGE

February 07, 2009



PARTS CATALOGUE NEWS

Honda Motor Co., Ltd. Service Division

Printed in Japan

CODE NO.	13Z1C402
PARTS CATALOGUE NEWS	GX390T1
NEWS NO.	002

(THAILAND-KD)

GX390T1-ES2,ES3,QAPW,QBE1,QHB1,VMQ3,VMT2,VMT3,VS4,VS5,VS6 types sales information

NOTE: This Parts Catalogue News explains only the parts of the different model that are produced to conform to addition of the GX390T1-ES2,ES3,QAPW,QBE1,QHB1,VMQ3,VMT2,VMT3,VS4,VS5,VS6 types. As for the parts not listed on this Parts Catalogue News, use the parts of the GX390T1-QXK and VXK types.

• Models, parts catalogue codes and applicable serial numbers

Model	Type		Parts catalogue type	Applicable engine serial No.	Applicable carburetor identification No.
GX390T1	VXK	Base type	VXK	GCAET-1000001~	BE85M A
	ES2	Additional type	ES2		BE87K A
	ES3		ES3		
	VMQ3		VMQ3		
	VMT2		VMT2		
	VMT3		VMT3		
	VSB4		VSB4		
	VSB5		VSB5		
	VS4		VS4		
	VS6		VS6		
	QXK		Base type		
	QAPW	Additional type	QAPW		BE87K A
	QBE1		QBE1		BE85K A
	QHB1		QHB1		BE85Z A
					BE85N A

• Features of each type		Base type	Additional type								
		GX390T1									
Specifications	Model	VXK	ES2	ES3	VMQ3	VMT2	VMT3	VSB4	VSB5	VS4	VS6
	Type										
Crankshaft	30mmØ Spline										
	25.4mmØ Spline										
	25.4mmØ Straight										
	25mmØ Straight										
	5/16" Tapered	●			●			●	●	●	●
	M10 Tapered		●	●		●	●				
Air cleaner	Silent	●									
	Oil bath										
	Boat										
	Standard										
	Generator		●	●	●	●	●	●	●	●	●
Muffler		●	●	●	●	●	●	●	●	●	
Muffler cover											
Spark arrester											
Fuel tank		●									
Oil alert		●	●	●	●	●	●	●	●	●	
Starter motor		●				●	●		●	●	
Control box		●				●	●				
Reduction											

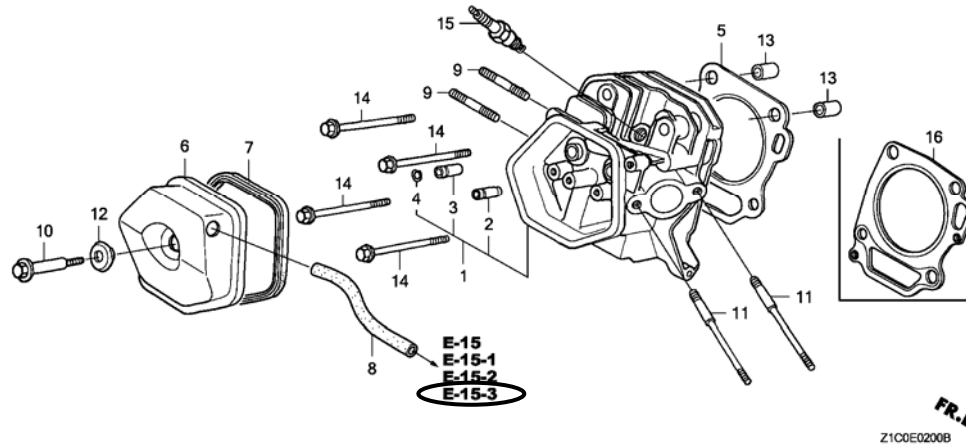
		Base type	Additional type			
Specifications		Model	GX390T1			
		Type	QXK	QAPW	QBE1	QHB1
Crankshaft	30mmØ Spline					
	25.4mmØ Spline					
	25.4mmØ Straight	●	●	●	●	
	25mmØ Straight					
	5/16" Tapered					
	M10 Tapered					
Air cleaner	Silent	●				
	Oil bath			●	●	
	Boat					
	Standard		●			
	Generator					
Muffler		●	●	●	●	
Muffler cover					(●)	
Spark arrester			(●)	(●)	(●)	
Fuel tank		●	●	●	●	
Oil alert		●	●			
Starter motor				●		
Control box				●		
Reduction						

PARTS CATALOGUE NEWS

BOOKNo. : 13Z1C402

Block No.	Ref. No.	Part No.	Description	Reqd. QTY GX 390 T1	Base Part No.	Parts catalogue code
-----------	----------	----------	-------------	------------------------------	---------------	----------------------

E-2 CYLINDER HEAD

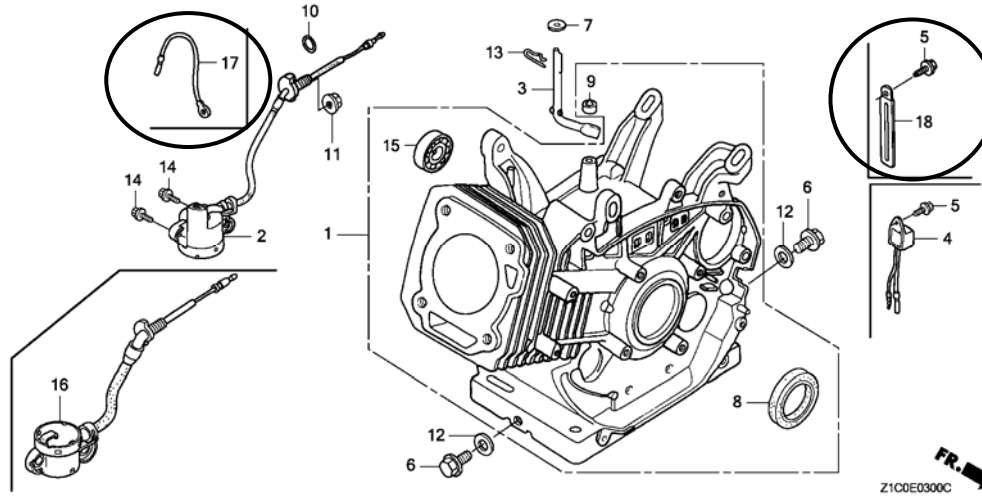


E-2	5	12251-Z1C-801	GASKET, CYLINDER HEAD (THAI LEAKLESS)	1	12251-ZF6-W00	
	8		TUBE, 11X105 (95005-11001-30M)	0	95005-11105-30	ES2, ES3, VMQ3, VMT2, VMT3, VSB4, VSB5, VS4, VS6
	11	90042-ZE3-700	BOLT, STUD, 8X106	2	90042-ZE8-000	ES2, ES3, VMQ3, VMT2, VMT3, VSB4, VSB5, VS4, VS6
	15	98079-55841	PLUG, SPARK (BP5ES) (NGK)	1	98079-55876	VSB4, VSB5
		98079-55854	PLUG, SPARK (W16EP-U) (DENSO) .	1	98079-56876	VSB4, VSB5
		98079-55855	PLUG, SPARK (W16EPR-U) (DENSO)	1	98079-56876	ES2, ES3, VMQ3, VMT2, VMT3, VS4, VS6
		98079-55876	PLUG, SPARK (BPR5ES)	1	98079-55876	ES2, ES3, VMQ3, VMT2, VMT3, VS4, VS6

Block No.	Ref. No.	Part No.	Description	Reqd. QTY GX 390 T1	Base Part No.	Parts catalogue code
-----------	----------	----------	-------------	------------------------------	---------------	----------------------

E-3 CYLINDER BARREL

Ref. No.	(Relative ref. Number) LON Description	FRT
17	6111E5 SUB HARNESS, OIL LEVEL SWITCH	0.1



E-3	1	12000-Z1C-406	BARREL ASSY., CYLINDER	1	12000-Z1C-407	QHB1
		12000-Z1C-407	1	12000-Z1C-405	ES2, ES3, VMQ3, VSB4, VS4
		12000-Z1C-408	1	12000-Z1C-407	QBE1
	2	15510-ZE2-053	SWITCH ASSY., OIL LEVEL	1		VMT2, VMT3
	4		ALERT UNIT, OIL	0	34150-ZH7-003	QBE1, QHB1
		34150-ZH7-013	1		ES2, ES3, VMQ3, VSB4, VSB5, VS4, VS6
		34150-ZH7-013	1	34150-ZH7-003	QAPW
	5		BOLT, FLANGE, 6X12 (CT200)	0	90013-883-000	QBE1, QHB1
		90013-883-000	1		ES2, ES3, VMQ3, VSB4, VS4
			2		VSB5, VS6
	10		O-RING, 14MM (NOK)	0	91353-671-004	QBE1, QHB1
	11		NUT, FLANGE, 10MM	0	94050-10000	QBE1, QHB1

PARTS CATALOGUE NEWS

BOOKNo. : 13Z1C402

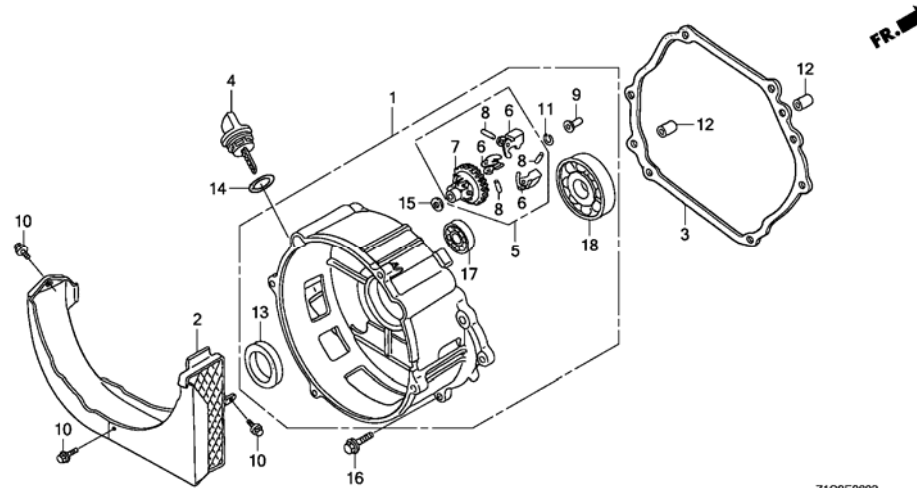
Block No.	Ref. No.	Part No.	Description	Reqd. QTY	Base Part No.	Parts catalogue code
				GX 390 T1		
	14		BOLT, FLANGE, 6X12	0	95701-06012-00	QBE1, QHB1
	16		SWITCH ASSY., OIL LEVEL	0	35480-ZF6-003	QBE1, QHB1, VMT2, VMT3
	17	31161-ZE2-000	CORD, EARTH	1		ES2, ES3, VSB4, VSB5, VS4, VS6
	18	91406-166-000	CLIP, WIRE	1		VSB5, VS6
E-6	1		COVER ASSY., CRANKCASE	0	11300-Z1C-600	ES2, ES3, VMT2, VMT3
		11300-Z8W-800	COVER ASSY., CRANKCASE (S-TYPE)	1	11300-Z1C-600	VS4, VS6
	2		PACKING, CASE COVER	0	11381-ZE3-801	ES2, ES3, VMT2, VMT3
	3		CAP ASSY., OIL FILLER	0	15600-ZOT-820	ES2, ES3, VMT2, VMT3
	4		CAP ASSY., OIL FILLER	0	15600-Z1C-000	ES2, ES3, VMT2, VMT3
	5		PACKING, OIL FILLER CAP	0	15625-ZOT-800	ES2, ES3, VMT2, VMT3
	6		GOVERNOR ASSY.	0	16510-ZE3-000	ES2, ES3, VMT2, VMT3
	7		SLIDER, GOVERNOR	0	16531-ZOA-000	ES2, ES3, VMT2, VMT3
	8		CLIP, GOVERNOR HOLDER	0	90602-ZE1-000	ES2, ES3, VMT2, VMT3
	9		DOWEL PIN, 8X12	0	90701-HC4-000	ES2, ES3, VMT2, VMT3
	10		OIL SEAL, 35X52X8	0	91201-Z1C-003	ES2, ES3, VMT2, VMT3
	11		WASHER, PLAIN, 6MM	0	94101-06800	ES2, ES3, VMT2, VMT3
	12		BOLT, FLANGE, 8X40	0	95701-08040-00	ES2, ES3, VMT2, VMT3
	13		BEARING, RADIAL BALL, 6202 ...	0	96100-62020-00	ES2, ES3, VMT2, VMT3
	14		BEARING, RADIAL BALL, 6207 ...	0	96100-62070-00	ES2, ES3, VMT2, VMT3

BOOKNo. : 13Z1C402

Block No.	Ref. No.	Part No.	Description	Reqd. QTY	Base Part No.	Parts catalogue code
-----------	----------	----------	-------------	-----------	---------------	----------------------

E-6-2 CRANKCASE COVER (3)

Ref. No.	(Relative ref. Number)	Description	FRT
1	1101G0	COVER, CRANKCASE (A)	0.3
2	4141J5	COVER, DUCT	0.1
3	1101F9	PACKING, CRANKCASE COVER (A) ..	0.3
5	1161C4	GOVERNOR ASSEMBLY	0.3
7		(6, 8)	
	1161C6	HOLDER, GOVERNOR WEIGHT (A) ...	0.3
9	1161B6	SLIDER, GOVERNOR	0.3
17	1101J5	BEARING, BALANCER WEIGHT (B) : REAR	0.4
18	1101G4	BEARING, CRANKSHAFT (A) : REAR	0.4



Z1C0E0602

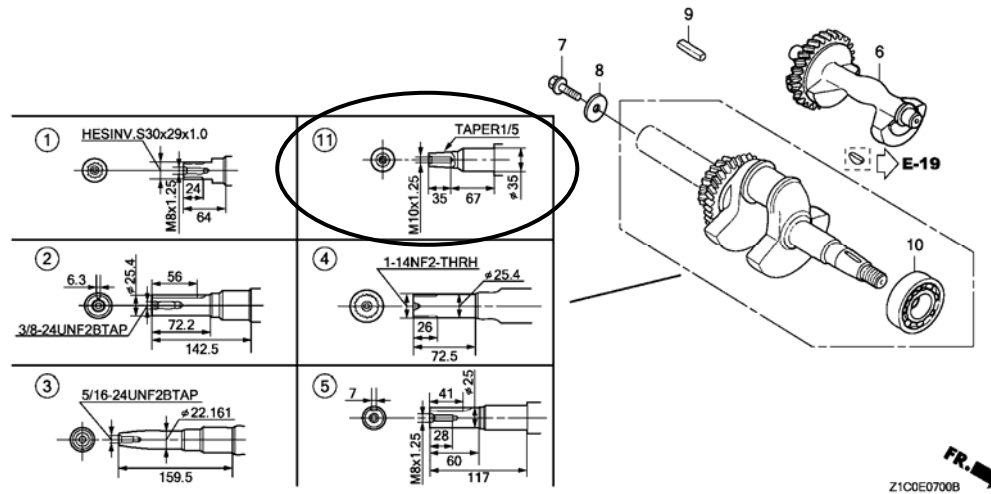
E-6-2	1	11300-Z8T-700	COVER ASSY., CRANKCASE (E-TYPE)	1	ES2, ES3, VMT2, VMT3
	2	11315-ZE3-700	COVER, DUCT	1	VMT2, VMT3
	3	11381-ZE3-801	PACKING, CASE COVER	1	ES2, ES3, VMT2, VMT3
	4	15620-ZE2-700	CAP, OIL FILLER	1	ES2, ES3, VMT2, VMT3
	5	16510-ZE3-000	GOVERNOR ASSY.	1	ES2, ES3, VMT2, VMT3
	6	16511-ZE8-000	WEIGHT, GOVERNOR	3	ES2, ES3, VMT2, VMT3
	7	16512-ZE3-000	HOLDER, GOVERNOR WEIGHT	1	ES2, ES3, VMT2, VMT3
	8	16513-ZE2-000	PIN, GOVERNOR WEIGHT	3	ES2, ES3, VMT2, VMT3
	9	16531-Z0A-000	SLIDER, GOVERNOR	1	ES2, ES3, VMT2, VMT3
	10	90019-883-000	BOLT, FLANGE, 5X10	3	VMT2, VMT3
	11	90602-ZE1-000	CLIP, GOVERNOR HOLDER	1	ES2, ES3, VMT2, VMT3

BOOKNo. : 13Z1C402

Block No.	Ref. No.	Part No.	Description	Reqd. QTY	Base Part No.	Parts catalogue code
				GX 390 TI		
	12	90701-HC4-000	DOWEL PIN, 8X12	2	ES2, ES3, VMT2, VMT3	
	13	91201-Z1C-003	OIL SEAL, 35X52X8	1	ES2, ES3, VMT2, VMT3	
	14	91301-805-000	O-RING, 26X2.7	1	ES2, ES3, VMT2, VMT3	
	15	94101-06800	WASHER, PLAIN, 6MM	1	ES2, ES3, VMT2, VMT3	
	16	95701-08040-00	BOLT, FLANGE, 8X40	7	ES2, ES3, VMT2, VMT3	
	17	96100-62020-00	BEARING, RADIAL BALL, 6202 ...	1	ES2, ES3, VMT2, VMT3	
	18	96100-62070-00	BEARING, RADIAL BALL, 6207 ...	1	ES2, ES3, VMT2, VMT3	

E-7 CRANKSHAFT

Ref. No.	(Relative ref. Number)	Description	FRT
1	(2, 3, 4, 5, 11)		
1101FO	CRANKSHAFT		1.1



E-7	3	CRANKSHAFT COMP.	0	13310-ZF6-W42	ES2, ES3, VMT2, VMT3
	9	KEY, 6.3X6.3X43	0	90745-ZE2-600	QBE1
		90741-889-810		90745-ZE2-600	QHB1
	11	13310-ZF6-D42	1		ES2, ES3, VMT2, VMT3

PARTS CATALOGUE NEWS

BOOKNo. : 13Z1C402

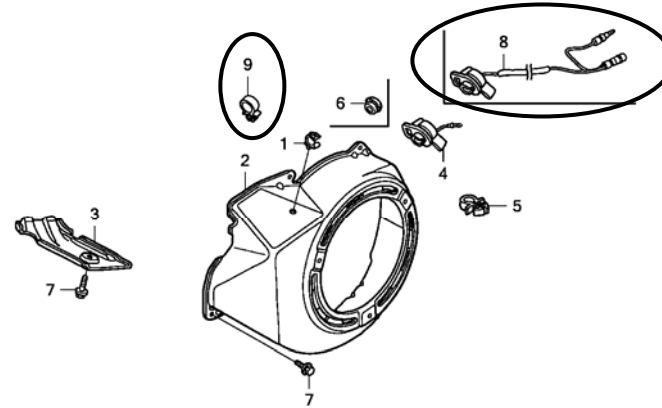
Block No.	Ref. No.	Part No.	Description	Reqd. QTY	Base Part No.	Parts catalogue code	
				GX 390 TI			
E-8	1		RING SET, PISTON (STD.) (TEIKOKU)	0	13010-Z5R-004	ES2, VMT2	
			RING SET, PISTON (0.25) (TEIKOKU)	(0)	13011-Z5R-004	ES2, VMT2	
			RING SET, PISTON (0.50) (TEIKOKU)	(0)	13012-Z5R-004	ES2, VMT2	
			RING SET, PISTON (0.50) (RIKEN)	(0)	13012-Z5T-003	ES3, VMQ3, VMT3, VSB4, VSB5, VS4, VS6	
			RING SET, PISTON (0.75) (TEIKOKU)	(0)	13013-Z5R-004	ES2, VMT2	
			RING SET, PISTON (0.75) (RIKEN)	(0)	13013-Z5T-003	ES3, VMQ3, VMT3, VSB4, VSB5, VS4, VS6	
		2	13101-ZF6-W01	PISTON (STD.)	1	13101-Z5T-000	ES2, ES3, VMQ3, VMT2, VMT3, VSB4, VSB5, VS4, VS6
			13102-ZF6-W01	PISTON (0.25)	(1)	13102-Z5T-000	ES2, ES3, VMQ3, VMT2, VMT3, VSB4, VSB5, VS4, VS6
			13103-ZF6-W01	PISTON (0.50)	(1)	13103-Z5T-000	ES2, ES3, VMQ3, VMT2, VMT3, VSB4, VSB5, VS4, VS6
			13104-ZF6-W01	PISTON (0.75)	(1)	13104-Z5T-000	ES2, ES3, VMQ3, VMT2, VMT3, VSB4, VSB5, VS4, VS6
	4	13200-ZE3-315	ROD ASSY., CONNECTING (0.25 UNDER SIZE)	(1)	13200-Z1C-305	ES2, ES3, VMQ3, VMT2, VMT3, VSB4, VSB5, VS4, VS6	
E-9	9	14721-ZE3-810	VALVE, EX. (STELLITE)	1	14721-ZE3-000	ES2, ES3, VMQ3, VMT2, VMT3, VSB4, VSB5, VS4, VS6	
	11	14771-Z8S-000	RETAINER, IN. VALVE SPRING ...	1	14771-ZE2-000	ES2, ES3, VMQ3, VMT2, VMT3, VSB4, VSB5, VS4, VS6	
	12	14773-Z8S-000	RETAINER, EX. VALVE SPRING ...	1	14773-ZE2-000	ES2, ES3, VMQ3, VMT2, VMT3, VSB4, VSB5, VS4, VS6	
	15	14791-Z1D-000	GUIDE, PUSH ROD	1	14791-ZE2-010	QAPW, QBE1, QHB1	
E-11	1	28400-ZE3-W01ZB	STARTER ASSY., RECOIL *NH1*..... BLACK	1		ES2, ES3, QAPW	
		28400-ZE3-W01ZH	*NH105*... MAT BLACK (#15-#20)	1	28400-ZE3-W01ZP	VS4, VS6	
	2	28410-ZE3-W01ZB	CASE COMP., RECOIL STARTER *NH1*..... BLACK	1		ES2, ES3, QAPW	
		28410-ZE3-W01ZH	*NH105*... MAT BLACK (#15-#20)	1	28410-ZE3-W01ZP	VS4, VS6	

BOOKNo. : 13Z1C402

Block No.	Ref. No.	Part No.	Description	Reqd. QTY GX 390 T1	Base Part No.	Parts catalogue code
-----------	----------	----------	-------------	------------------------------	---------------	----------------------

E-12 FAN COVER (1)

Ref. No.	(Relative ref. Number) LON Description	FRT
4	(8) 6151D9 SWITCH, ENGINE STOP	0.2



FR. →
Z1C0E1200A

E-12	1	CLIP, TUBE	0	16731-ZE2-003	ES2, ES3, VMQ3, VMT2, VMT3, VSB4, VSB5, VS4, VS6
	2	19610-ZE3-010ZB COVER COMP., FAN *NH1*..... BLACK	1		QAPW
		19610-ZE3-700ZB *NH1*..... BLACK	1	19610-ZE3-010ZL	ES2, ES3
		19610-ZE3-700ZK *R280*..... POWER RED	1		ES2, ES3
		19610-ZE3-700ZK *R280*..... POWER RED	1	19610-ZE3-010ZL	VMQ3, VMT2, VMT3, VSB4, VSB5
		19610-ZE3-700ZL *NH105*... MAT BLACK (#15-#20)	1	19610-ZE3-010ZL	VS4, VS6
	4	SWITCH ASSY., ENGINE STOP	0	36100-ZF6-P81	QAPW, QBE1, QHB1
	5	HOLDER, STOP SWITCH CORD	0	36103-ZE1-000	VSB5, VS6
		36103-ZE1-000	1		QBE1, QHB1
	6	81329-567-020 GROMMET, DRAIN HOLE	1		QBE1, QHB1
	8	36100-ZF6-P82 SWITCH ASSY., ENGINE STOP	1		QAPW

PARTS CATALOGUE NEWS

BOOKNo. : 13Z1C402

Block No.	Ref. No.	Part No.	Description	Reqd. QTY		Base Part No.	Parts catalogue code
				GX 390 T1			
	9	90654-SA4-003	CLIP, WIRE HARNESS, 6MM (WHITE)	2			ES2, ES3, VMQ3, VMT2, VMT3, VSB4, VSB5, VS4, VS6
E-14	1		GASKET SET (INCLUDE 16173-001-004)	0		16010-ZE2-812	ES2, ES3, VMQ3, VMT2, VMT3, VSB4, VSB5, VS4, VS6
		16010-ZE2-015	GASKET SET (EXCEPT 16173-001-004)	1		16010-ZE2-812	QBE1, QHB1
	2		VALVE SET, FLOAT	0		16011-ZA0-931	ES2, ES3, VMQ3, VMT2, VMT3, VSB4, VSB5, VS4, VS6
	3		FLOAT SET	0		16013-Z1C-003	ES2, ES3, VMQ3, VMT2, VMT3, VSB4, VSB5, VS4, VS6
	4		CHAMBER SET, FLOAT	0		16015-ZE8-005	ES2, ES3, VMQ3, VMT2, VMT3, VSB4, VSB5, VS4, VS6
	5		SCREW SET	0		16016-ZF6-005	ES2, ES3, QAPW, VMQ3, VMT2, VMT3, VSB4, VSB5, VS4, VS6
		16016-ZE0-005	SCREW SET, PILOT	1		16016-ZF6-005	QBE1, QHB1
	6		SCREW SET, DRAIN	0		16024-ZE1-811	ES2, ES3, VMQ3, VMT2, VMT3, VSB4, VSB5, VS4, VS6
	7		SCREW SET	0		16028-ZE0-005	ES2, ES3, VMQ3, VMT2, VMT3, VSB4, VSB5, VS4, VS6
	8		CHOKE SET	0		16044-ZE3-W20	ES2, ES3, VMQ3, VMT2, VMT3, VSB4, VSB5, VS4, VS6
	9		CARBURETOR ASSY. (BE85M A) ...	0		16100-Z1C-651	ES2, ES3, VMQ3, VMT2, VMT3, VSB4, VSB5, VS4, VS6
		16100-Z1C-W31	CARBURETOR ASSY. (BE85N A) ...	1		16100-Z1C-601	QBE1, QHB1
		16100-Z5T-801	CARBURETOR ASSY. (BE85Z A) ...	1		16100-Z1C-601	QAPW
	10		SCREW, THROTTLE STOP	0		16124-ZE0-005	ES2, ES3, VMQ3, VMT2, VMT3, VSB4, VSB5, VS4, VS6
	11		NOZZLE, MAIN	0		16166-ZF6-V00	ES2, ES3, VMQ3, VMT2, VMT3, VSB4, VSB5, VS4, VS6
		16166-ZF6-W20	1		16166-ZF6-V00	QAPW, QBE1, QHB1
	12		COLLAR, SETTING	0		16172-ZE3-W10	
	13		PACKING, FUEL STRAINER CUP ...	0		16173-001-004	ES2, ES3, VMQ3, VMT2, VMT3, VSB4, VSB5, VS4, VS6
	14		INSULATOR, CARBURETOR	0		16211-ZF6-000	ES2, ES3, VMQ3, VMT2, VMT3, VSB4, VSB5, VS4, VS6
	15		SPACER COMP., CARBURETOR	0		16220-ZA0-702	ES2, ES3, VMQ3, VMT2, VMT3, VSB4, VSB5, VS4, VS6
	16		PACKING, CARBURETOR	0		16221-ZF6-800	ES2, ES3, VMQ3, VMT2, VMT3, VSB4, VSB5, VS4, VS6
	17		PACKING, INSULATOR	0		16223-ZE3-W00	ES2, ES3, VMQ3, VMT2, VMT3, VSB4, VSB5, VS4, VS6

PARTS CATALOGUE NEWS

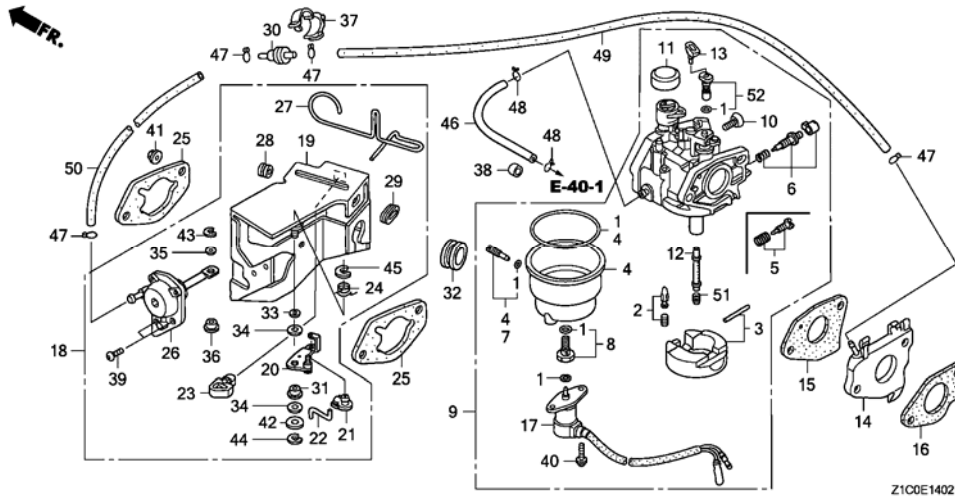
BOOKNo. : 13Z1C402

Block No.	Ref. No.	Part No.	Description	Reqd. QTY		Base Part No.	Parts catalogue code
				GX 390 T1			
	18		LEVER COMP., CHOKE (STD.)	0		16610-ZE1-000	ES2, ES3, VMQ3, VMT2, VMT3, VSB4, VSB5, VS4, VS6
	19		LEVER, COCK	0		16953-ZE1-812	ES2, ES3, VMQ3, VMT2, VMT3, VSB4, VSB5, VS4, VS6
	20		PLATE, LEVER SETTING	0		16954-ZE1-812	ES2, ES3, VMQ3, VMT2, VMT3, VSB4, VSB5, VS4, VS6
	21		SPRING, COCK LEVER	0		16956-ZE1-811	ES2, ES3, VMQ3, VMT2, VMT3, VSB4, VSB5, VS4, VS6
	22		PACKING, FUEL COCK	0		16957-ZE1-812	ES2, ES3, VMQ3, VMT2, VMT3, VSB4, VSB5, VS4, VS6
	23		CUP, FUEL STRAINER	0		16967-ZE0-811	ES2, ES3, VMQ3, VMT2, VMT3, VSB4, VSB5, VS4, VS6
	24		SCREW, PAN, 3X6	0		93500-03006-1H	ES2, ES3, VMQ3, VMT2, VMT3, VSB4, VSB5, VS4, VS6
	26		PIN, SPRING, 2X12	0		94305-20122	ES2, ES3, VMQ3, VMT2, VMT3, VSB4, VSB5, VS4, VS6
	27		JET, MAIN, #90	(0)		99101-ZH8-0900	ES2, ES3, VMQ3, VMT2, VMT3, VSB4, VSB5, VS4, VS6
			JET, MAIN, #92	(0)		99101-ZH8-0920	ES2, ES3, VMQ3, VMT2, VMT3, VSB4, VSB5, VS4, VS6
			JET, MAIN, #95	0		99101-ZH8-0950	ES2, ES3, VMQ3, VMT2, VMT3, VSB4, VSB5, VS4, VS6
		99101-ZH8-0950	(1)		99101-ZH8-0880	QAPW
		99101-ZH8-0980	JET, MAIN, #98	(1)		99101-ZH8-0900	QAPW
		99101-ZH8-1000	JET, MAIN, #100	(1)		99101-ZH8-0880	QBE1, QHB1
		99101-ZH8-1000	1		99101-ZH8-0920	QAPW
		99101-ZH8-1020	JET, MAIN, #102	(1)		99101-ZH8-0900	QBE1, QHB1
		99101-ZH8-1050	JET, MAIN, #105	1		99101-ZH8-0920	QBE1, QHB1
	28		JET SET, PILOT, #45	0		99204-ZA0-0450	ES2, ES3, VMQ3, VMT2, VMT3, VSB4, VSB5, VS4, VS6
		99204-ZA0-0400	JET SET, PILOT, #40	1		99204-ZA0-0450	QAPW, QBE1, QHB1
	29	16016-ZH7-W01	SCREW SET, PILOT	1			QAPW

Block No.	Ref. No.	Part No.	Description	Reqd. QTY GX 390 T1	Base Part No.	Parts catalogue code
-----------	----------	----------	-------------	------------------------------	---------------	----------------------

E-14-2 CARBURETOR (3)

Ref. No.	LON	(Relative ref. Number) Description	FRT
1	3111G1	GASKET SET, CARBURETOR(A) (3)	0.4
2	3111G6	VALVE SET, FLOAT AND/OR FLOAT SET (A)	0.4
4	3111A3	CHAMBER SET, FLOAT AND/OR GASKET, FLOAT CHAMBER	0.4
6	3111D7	SCREW SET, PILOT	0.2
9	3111G7	CARBURETOR(A)	0.3
14	3111G2	INSULATOR, CARBURETOR AND/OR PACKING, INSULATOR (A)	0.3
15	3111G5	PACKING, CARBURETOR (A)	0.3
17	6211C0	VALVE, CARBURETOR SOLENOID ...	0.2
18	8101R1	STAY, MANUAL CHOKE	0.3
25	3121D9	PACKING, AIR CLEANER	0.2
	3121D9A	.Replace carburetor side add ..	0.1
26	3111A7	DIAPHRAGM, CARBURETOR	0.3
27	8101Q2	ROD, CHOKE CONTROL	0.2
30	311175	VALVE, DASHPOT CHECK	0.1
46	3101F6	TUBE, FUEL	0.1
51	3111G4	JET, MAIN (A)	0.4



E-14-2	1	16010-ZE3-701	GASKET SET	1	ES2, ES3, VMQ3, VMT2, VMT3, VSB4, VSB5, VS4, VS6
	2	16011-ZA0-931	VALVE SET, FLOAT	1	ES2, ES3, VMQ3, VMT2, VMT3, VSB4, VSB5, VS4, VS6
	3	16013-Z1C-003	FLOAT SET	1	ES2, ES3, VMQ3, VMT2, VMT3, VSB4, VSB5, VS4, VS6
	4	16015-ZA0-931	CHAMBER SET, FLOAT	1	ES2, ES3, VMQ3, VMT2, VMT3, VSB4, VSB5, VS4, VS6
	5	16016-ZF6-D40	SCREW SET	1	VMQ3, VMT2, VMT3, VSB4, VSB5
	6	16016-ZH8-W01	SCREW SET	1	ES2, ES3, VS4, VS6
	7	16024-124-761	SCREW SET, DRAIN	1	ES2, ES3, VMQ3, VMT2, VMT3, VSB4, VSB5, VS4, VS6
	8	16028-ZA0-931	SCREW SET	1	ES2, ES3, VMQ3, VMT2, VMT3, VSB4, VSB5, VS4, VS6
	9	16100-Z1C-D41	CARBURETOR ASSY. (BE87L A) ...	1	VMQ3, VMT2, VMT3, VSB4, VSB5
		16100-Z1C-741	CARBURETOR ASSY. (BE87K A) ...	1	ES2, ES3, VS4, VS6

PARTS CATALOGUE NEWS

BOOKNo. : 13Z1C402

Block No.	Ref. No.	Part No.	Description	Reqd. QTY	Base Part No.	Parts catalogue code
				GX 390 T1		
	10	16124-ZE0-005	SCREW, THROTTLE STOP	1		ES2, ES3, VMQ3, VMT2, VMT3, VSB4, VSB5, VS4, VS6
	11	16148-141-881	CAP, CHOKE DUST	1		ES2, ES3, VMQ3, VMT2, VMT3, VSB4, VSB5, VS4, VS6
	12	16166-ZF6-005	NOZZLE, MAIN	1		ES2, ES3, VMQ3, VMT2, VMT3, VSB4, VSB5, VS4, VS6
	13	16172-ZE3-W10	COLLAR, SETTING	1		ES2, ES3, VMQ3, VMT2, VMT3, VSB4, VSB5, VS4, VS6
	14	16211-ZF6-D40	INSULATOR, CARBURETOR	1		ES2, ES3, VMQ3, VMT2, VMT3, VSB4, VSB5, VS4, VS6
	15	16221-ZF6-800	PACKING, CARBURETOR	1		ES2, ES3, VMQ3, VMT2, VMT3, VSB4, VSB5, VS4, VS6
	16	16223-ZE3-W00	PACKING, INSULATOR	1		ES2, ES3, VMQ3, VMT2, VMT3, VSB4, VSB5, VS4, VS6
	17	16230-ZE3-702	VALVE ASSY., SOLENOID	1		ES2, ES3, VMQ3, VMT2, VMT3, VSB4, VSB5, VS4, VS6
	18	16260-ZE2-723	STAY ASSY., MANUAL CHOKE	1		ES2, ES3, VMQ3, VMT2, VMT3, VSB4, VSB5, VS4, VS6
	19	16261-ZE2-702	STAY COMP., SOLENOID	1		ES2, ES3, VMQ3, VMT2, VMT3, VSB4, VSB5, VS4, VS6
	20	16262-ZE2-711	LEVER, CHOKE	1		ES2, ES3, VMQ3, VMT2, VMT3, VSB4, VSB5, VS4, VS6
	21	16263-ZA0-000	JOINT, ROD	1		ES2, ES3, VMQ3, VMT2, VMT3, VSB4, VSB5, VS4, VS6
	22	16264-ZE2-701	ROD, CHOKE	1		ES2, ES3, VMQ3, VMT2, VMT3, VSB4, VSB5, VS4, VS6
	23	16265-ZE2-721	STOPPER, CHOKE ROD	1		ES2, ES3, VMQ3, VMT2, VMT3, VSB4, VSB5, VS4, VS6
	24	16268-ZE2-721	SPRING, MANUAL CHOKE	1		ES2, ES3, VMQ3, VMT2, VMT3, VSB4, VSB5, VS4, VS6
	25	16269-ZA0-800	PACKING, AIR CLEANER	2		ES2, ES3, VMQ3, VMT2, VMT3, VSB4, VSB5, VS4, VS6
	26	16400-ZE2-704	DIAPHRAGM ASSY.	1		ES2, ES3, VMQ3, VMT2, VMT3, VSB4, VSB5, VS4, VS6
	27	16611-ZE2-711	ROD, CHOKE CONTROL	1		ES2, ES3, VMQ3, VMT2, VMT3, VSB4, VSB5, VS4, VS6
	28	16613-893-000	GROMMET, CHOKE ROD	1		ES2, ES3, VMQ3, VMT2, VMT3, VSB4, VSB5, VS4, VS6
	29	16615-893-000	GUIDE, CHOKE ROD	1		ES2, ES3, VMQ3, VMT2, VMT3, VSB4, VSB5, VS4, VS6
	30	36135-ZF6-D41	VALVE, DASHPOT CHECK	1		ES2, ES3, VMQ3, VMT2, VMT3, VSB4, VSB5, VS4, VS6
	31	53149-964-003	BUSH, ARM PIVOT	1		ES2, ES3, VMQ3, VMT2, VMT3, VSB4, VSB5, VS4, VS6
	32	88911-MJ3-000	GROMMET, FENDER	1		ES2, ES3, VMQ3, VMT2, VMT3, VSB4, VSB5, VS4, VS6
	33	90431-ZE2-700	WASHER, CHOKE LEVER	1		ES2, ES3, VMQ3, VMT2, VMT3, VSB4, VSB5, VS4, VS6

PARTS CATALOGUE NEWS

BOOKNo. : 13Z1C402

Block No.	Ref. No.	Part No.	Description	Reqd. QTY		Base Part No.	Parts catalogue code
				GX 390 TI			
	34	90432-ZE2-700	SEAL, CHOKE LEVER	2		ES2, ES3, VMQ3, VMT2, VMT3, VSB4, VSB5, VS4, VS6	
	35	90433-ZE2-700	WASHER, THRUST, 2.7X8	1		ES2, ES3, VMQ3, VMT2, VMT3, VSB4, VSB5, VS4, VS6	
	36	90434-ZE2-700	COLLAR, LEVER	1		ES2, ES3, VMQ3, VMT2, VMT3, VSB4, VSB5, VS4, VS6	
	37	90650-SD9-003	CLIP, WIRE HARNESS	1		ES2, ES3, VMQ3, VMT2, VMT3, VSB4, VSB5, VS4, VS6	
	38	90854-ZB2-000	RUBBER, FUEL (9X15X10)	1		ES2, ES3, VMQ3, VMT2, VMT3, VSB4, VSB5, VS4, VS6	
	39	93500-05012-0A	SCREW, PAN, 5X12	2		ES2, ES3, VMQ3, VMT2, VMT3, VSB4, VSB5, VS4, VS6	
	40	93892-05012-18	SCREW-WASHER, 5X12	2		ES2, ES3, VMQ3, VMT2, VMT3, VSB4, VSB5, VS4, VS6	
	41	94050-06000	NUT, FLANGE, 6MM	2		ES2, ES3, VMQ3, VMT2, VMT3, VSB4, VSB5, VS4, VS6	
	42	94103-05000	WASHER, PLAIN, 5MM	1		ES2, ES3, VMQ3, VMT2, VMT3, VSB4, VSB5, VS4, VS6	
	43	94540-02010	E-RING, 2MM	1		ES2, ES3, VMQ3, VMT2, VMT3, VSB4, VSB5, VS4, VS6	
	44	94540-04010	E-RING, 4MM	1		ES2, ES3, VMQ3, VMT2, VMT3, VSB4, VSB5, VS4, VS6	
	45	94540-07010	E-RING, 7MM	1		ES2, ES3, VMQ3, VMT2, VMT3, VSB4, VSB5, VS4, VS6	
	46	95001-45150-40	TUBE, FUEL, 4.5X150 (95001-45001-60M)	1		ES2, ES3, VSB4, VSB5, VS4, VS6	
		95001-45250-40	TUBE, FUEL, 4.5X250 (95001-45001-60M)	1		VMQ3, VMT2, VMT3	
	47	95002-02070	CLIP, TUBE (B7)	4		ES2, ES3, VMQ3, VMT2, VMT3, VSB4, VSB5, VS4, VS6	
	48	95002-02080	CLIP, TUBE (B8)	2		ES2, ES3, VMQ3, VMT2, VMT3, VSB4, VSB5, VS4, VS6	
	49	95005-35075-10	TUBE, 3.5X75 (95005-35001-10M)	1		ES2, ES3, VMQ3, VMT2, VMT3, VSB4, VSB5, VS4, VS6	
	50	95005-35130-10	TUBE, 3.5X130 (95005-35001-10M)	1		ES2, ES3, VMQ3, VMT2, VMT3, VSB4, VSB5, VS4, VS6	
	51	99101-ZH8-0980	JET, MAIN, #98	(1)		ES2, ES3, VMQ3, VMT2, VMT3, VSB4, VSB5, VS4, VS6	
		99101-ZH8-1000	JET, MAIN, #100	(1)		ES2, ES3, VMQ3, VMT2, VMT3, VSB4, VSB5, VS4, VS6	
		99101-ZH8-1020	JET, MAIN, #102	1		ES2, ES3, VMQ3, VMT2, VMT3, VSB4, VSB5, VS4, VS6	
	52	99204-ZA0-0450	JET SET, PILOT, #45	1		ES2, ES3, VMQ3, VMT2, VMT3, VSB4, VSB5, VS4, VS6	
E-15	1		PACKING, ELBOW	0		16271-ZE2-010	

PARTS CATALOGUE NEWS

BOOKNo. : 13Z1C402

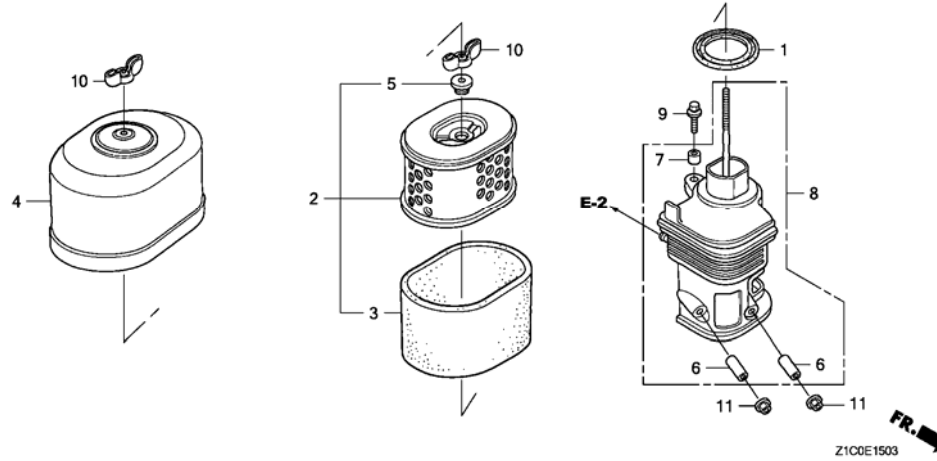
Block No.	Ref. No.	Part No.	Description	Reqd. QTY	Base Part No.	Parts catalogue code
				GX 390 TI		
	2		ELEMENT, AIR CLEANER	0	17210-ZE3-010	
	3		FILTER, OUTER	0	17218-ZE3-000	
	4		COVER, AIR CLEANER	0	17231-ZE3-W01	
	5		GROMMET, AIR CLEANER	0	17232-891-000	
	6		NOSE, SILENCER	0	17235-ZH9-N01	
	7		COLLAR, AIR CLEANER	0	17238-ZE2-310	
	8		COLLAR B, AIR CLEANER	0	17239-ZE1-000	
	9		ELBOW COMP., AIR CLEANER	0	17410-ZH9-N00	
	10		BOLT-WASHER, 6X22	0	90009-Z1C-000	
	11		NUT, TOOL BOX SETTING	0	90325-044-000	
	12		NUT, FLANGE, 6MM	0	94050-06000	
E-15-1	1	16271-ZE2-010	PACKING, ELBOW	1		QBE1, QHB1
	2	17230-ZE3-811	COVER COMP., AIR CLEANER (OIL BATH)	1		QBE1, QHB1
	3	17238-ZE2-310	COLLAR, AIR CLEANER	2		QBE1, QHB1
	4	17239-ZE1-000	COLLAR B, AIR CLEANER	1		QBE1, QHB1
	5	17402-ZE3-810	PAN, CLEANER OIL (OIL BATH) ..	1		QBE1, QHB1
	6	17410-ZE3-010	ELBOW COMP., AIR CLEANER	1		QBE1, QHB1
	7	17420-ZE3-810	CAP COMP., AIR CLEANER	1		QBE1, QHB1
	8	90009-Z1C-000	BOLT-WASHER, 6X22	1		QBE1, QHB1
	9	90325-044-000	NUT, TOOL BOX SETTING	1		QBE1, QHB1
	10	94050-06000	NUT, FLANGE, 6MM	2		QBE1, QHB1

BOOKNo. : 13Z1C402

Block No.	Ref. No.	Part No.	Description	Reqd. QTY GX 390 TI	Base Part No.	Parts catalogue code
-----------	----------	----------	-------------	------------------------------	---------------	----------------------

E-15-3 AIR CLEANER (STANDARD)

Ref. No.	(Relative ref. Number)	Description	FRT
1	3121E1	PACKING, ELBOW	0.1
2	3121B8	ELEMENT, AIR CLEANER	0.1
		. INCLUDES: Air cleaner element	
		-inspection	
3	3121C1	FILTER, OUTER	0.1
		. INCLUDES:	
		Outer filter-inspection	
8	3121B4	ELBOW, AIR CLEANER	0.1

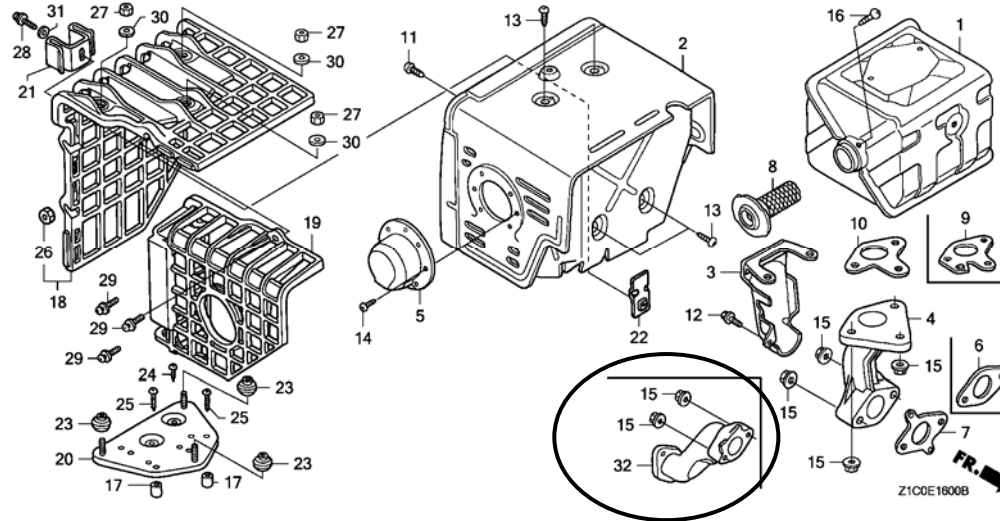


E-15-3	1	16271-ZE2-010	PACKING, ELBOW	1	QAPW
	2	17210-ZE3-010	ELEMENT, AIR CLEANER	1	QAPW
	3	17218-ZE3-000	FILTER, OUTER	1	QAPW
	4	17230-ZE3-000	COVER, AIR CLEANER (STD.)	1	QAPW
	5	17232-891-000	GROMMET, AIR CLEANER	1	QAPW
	6	17238-ZE2-310	COLLAR, AIR CLEANER	2	QAPW
	7	17239-ZE1-000	COLLAR B, AIR CLEANER	1	QAPW
	8	17410-ZE3-010	ELBOW COMP., AIR CLEANER	1	QAPW
	9	90009-Z1C-000	BOLT-WASHER, 6X22	1	QAPW
	10	90325-044-000	NUT, TOOL BOX SETTING	2	QAPW
	11	94050-06000	NUT, FLANGE, 6MM	2	QAPW

Block No.	Ref. No.	Part No.	Description	Reqd. QTY GX 390 TI	Base Part No.	Parts catalogue code
-----------	----------	----------	-------------	------------------------------	---------------	----------------------

E-16 MUFFLER (1)

Ref. No.	(Relative ref. Number) LON Description	FRT
4	(32) 3131C9 PIPE, EXHAUST	0.2



E-16	1	MUFFLER COMP. (100DB)	0	18310-ZE2-W61	ES2, ES3, VMQ3, VMT2, VMT3, VSB4, VSB5, VS4, VS6
	2	PROTECTOR COMP., MUFFLER	0	18320-ZE2-W61	ES2, ES3, VMQ3, VMT2, VMT3, VSB4, VSB5, VS4, VS6
	3	18323-ZE3-W40 PROTECTOR, EX. PIPE	1		QAPW
	4	PIPE, EX.	0	18330-ZE2-W00	ES2, ES3, VMQ3, VMT2, VMT3, VSB4, VSB5, VS4, VS6
	8	18355-ZE2-W00 ARRESTER, SPARK	(1)		QAPW, QBE1, QHB1
	9	18381-ZE2-W10 GASKET, MUFFLER (ARRESTER) (NIPPON LEAKLESS)	(1)		QAPW, QBE1, QHB1
	10	GASKET, MUFFLER (THAI LEAKLESS)	0	18381-Z1C-801	ES2, ES3, VMQ3, VMT2, VMT3, VSB4, VSB5, VS4, VS6
	11	SCREW, TAPPING, 6X10	0	90006-ZE2-000	ES2, ES3, VMQ3, VMT2, VMT3, VSB4, VSB5, VS4, VS6
	12	90013-883-000 BOLT, FLANGE, 6X12 (CT200)	1		QAPW
	13	SCREW, TAPPING, 5X8	0	90050-ZE1-000	ES2, ES3, VMQ3, VMT2, VMT3, VSB4, VSB5, VS4, VS6
	15	94050-08000 NUT, FLANGE, 8MM	2	94050-08000	ES2, ES3, VMQ3, VMT2, VMT3, VSB4, VSB5, VS4, VS6

PARTS CATALOGUE NEWS

BOOKNo. : 13Z1C402

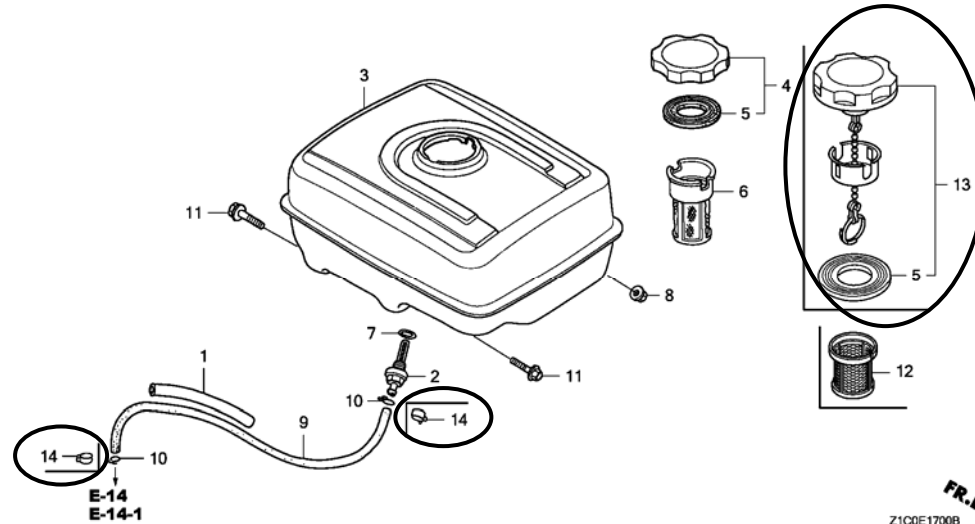
Block No.	Ref. No.	Part No.	Description	Reqd. QTY	Base Part No.	Parts catalogue code
				GX 390 TI		
	16	90055-ZE1-000	SCREW, TAPPING, 4X6	(1)	QAPW, QBE1, QHB1	
	17	17233-896-701	COLLAR, AIR CLEANER CASE	(2)	QHB1	
	18	18433-ZF6-W40	COVER COMP., MUFFLER	(1)	QHB1	
	19	18434-ZF6-W40	COVER COMP., RR. MUFFLER	(1)	QHB1	
	20	18436-ZH8-W40	BASE COMP., MUFFLER COVER	(1)	QHB1	
	21	18437-ZF6-W40	STAY, MUFFLER COVER	(1)	ES2, ES3, QHB1, VSB4	
	22	18438-ZF6-W40	PLATE, SET	(1)	ES2, ES3, QHB1, VSB4	
	23	18466-ZH8-W40	SPACER, MUFFLER COVER	(3)	QHB1	
	24	90050-ZE1-000	SCREW, TAPPING, 5X8	(1)	QHB1	
	25	90050-ZH8-W40	SCREW, TAPPING, 5X25	(2)	QHB1	
	26	90301-782-000	NUT, U, 6MM	(3)	QHB1	
	27	90302-KF9-900	NUT, HEX., 5MM	(3)	QHB1	
	28	93891-05012-00	SCREW-WASHER, 5X12	(1)	ES2, ES3, QHB1, VSB4	
	29	93891-06020-07	SCREW-WASHER, 6X20	(3)	QHB1	
	30	94103-05700	WASHER, PLAIN, 5MM	(3)	QHB1	
	31	94111-05000	WASHER, SPRING, 5MM	(1)	ES2, ES3, QHB1, VSB4	
	32	18330-ZE3-700	PIPE, EX.	1	VMQ3	
		18330-ZE3-710	1	ES2, ES3, VMT2, VMT3, VSB4, VSB5, VS4, VS6	

PARTS CATALOGUE NEWS

BOOKNo. : 13Z1C402

Block No.	Ref. No.	Part No.	Description	Reqd. QTY GX 390 T1	Base Part No.	Parts catalogue code
-----------	----------	----------	-------------	------------------------------	---------------	----------------------

E-17 FUEL TANK



E-17	1	RUBBER, SUPPORTER (107MM)	0	16854-ZH8-000	ES2, ES3, VMQ3, VMT2, VMT3, VSB4, VSB5, VS4, VS6
	2	JOINT, FUEL TANK	0	16955-ZE1-000	ES2, ES3, VMQ3, VMT2, VMT3, VSB4, VSB5, VS4, VS6
	3	TANK COMP., FUEL *NH31*. MCKINLEY WHITE	0	17510-ZE3-030ZA	ES2, ES3, VMQ3, VMT2, VMT3, VSB4, VSB5, VS4, VS6
	17510-ZE3-030ZB	*NH1*. BLACK	1		QAPW
	4	CAP COMP., FUEL FILLER (CHROME PLATED)	0	17620-ZOT-813	ES2, ES3, QAPW, VMQ3, VMT2, VMT3, VSB4, VSB5, VS4, VS6
	5	PACKING, FUEL FILLER CAP (39X62X3)	0	17631-ZOT-801	ES2, ES3, VMQ3, VMT2, VMT3, VSB4, VSB5, VS4, VS6
	7	O-RING, 14MM (NOK)	0	91353-671-004	ES2, ES3, VMQ3, VMT2, VMT3, VSB4, VSB5, VS4, VS6
	8	NUT, FLANGE, 8MM	0	94050-08000	ES2, ES3, VMQ3, VMT2, VMT3, VSB4, VSB5, VS4, VS6
	9	TUBE, FUEL, 4. 5X235 (95001-45001-60M)	0	95001-45235-40	ES2, ES3, VMQ3, VMT2, VMT3, VSB4, VSB5, VS4, VS6
	91424-Z5L-802	TUBE, FUEL, 4. 5X235 (FKM)	1	95001-45235-40	QAPW, QBE1, QHB1

PARTS CATALOGUE NEWS

BOOKNo. : 13Z1C402

Block No.	Ref. No.	Part No.	Description	Reqd. QTY		Base Part No.	Parts catalogue code
				GX 390 TI			
	10		CLIP, TUBE (B8)	0		95002-02080	
	11		BOLT, FLANGE, 8X25	0		95701-08025-00	ES2, ES3, VMQ3, VMT2, VMT3, VSB4, VSB5, VS4, VS6
	12	17672-Z4H-000	FILTER, FUEL	1			QAPW
	13	17620-Z4H-020	CAP COMP., FUEL FILLER	1			QAPW
	14	95002-40800-08	CLAMP, TUBE (D8)	2			QAPW, QBE1, QHB1
E-19	2		PULLEY COMP., STARTER (SCREEN GRID)	0		28450-ZE3-W11	ES2, ES3, QAPW, VMQ3, VMT2, VMT3, VSB4, VSB5, VS4, VS6
	3	28451-ZE3-W01	PULLEY, STARTER	1			ES2, ES3, QAPW, VMQ3, VMT2, VMT3, VSB4, VSB5, VS4, VS6
	4		FLYWHEEL COMP.	0		31100-ZE3-701	QBE1
		31100-ZE3-701	1			ES2, ES3, VSB4, VS4
	5	31100-ZE3-712	FLYWHEEL COMP. (LAMP)	1			VMQ3
	6		FLYWHEEL COMP. (SEL-LAMP)	0		31100-ZE3-722	ES2, ES3, VMQ3, VSB4, VS4
		31100-ZE3-722	1			QBE1
	7	90201-ZE3-790	NUT, SPECIAL, 16MM	1		90201-ZE3-V00	
E-20	2		CAP ASSY., NOISE SUPPRESSOR (NACHIWA Y-EZ RTFM256)	0		30700-ZE1-013	
			CAP ASSY., NOISE SUPPRESSOR (NGK Y-EZD)	0		30700-Z1C-811	VSB4, VSB5
		30700-Z1C-801	TERMINAL ASSY., HIGH TENSION (NGK Y-EZD)	1			VSB4, VSB5
	3	31510-ZE1-003	COIL ASSY., LAMP (12V/15W) ...	1			VMQ3, VMT3
	5		CLAMPER, CORD	0		31511-ZE3-000	ES2, ES3, VSB4, VS4
		31511-ZE3-000	1			QBE1
	7		COIL ASSY., CHARGE (1A)	0		31630-ZE1-003	ES2, ES3, VMQ3, VSB4, VS4
		31630-ZE1-013	1			QBE1
		31630-ZE1-013	1		31630-ZE1-003	VMT2, VMT3, VSB5, VS6

PARTS CATALOGUE NEWS

BOOKNo. : 13Z1C402

Block No.	Ref. No.	Part No.	Description	Reqd. QTY		Base Part No.	Parts catalogue code
				GX 390 TI			
	8	36101-ZE3-800	CORD, STOP SWITCH (470MM)	1		36101-ZE2-701	ES2, ES3, VSB4, VSB5, VS4, VS6
	9	90017-883-000	BOLT, FLANGE, 6X32	2			VMQ3, VMT3
	10		BOLT, FLANGE, 6X12 (CT200)	0		90013-883-000	ES2, ES3, VSB4, VS4
		90013-883-000	1			QBE1
	11		BOLT, FLANGE, 6X35 (CT200)	0		90014-ZE6-000	ES2, ES3, VMQ3, VSB4, VS4
		90014-ZE6-000	2			QBE1
	13		CLIP, HARNESS	0		90684-ZA0-601	QBE1, QHB1
E-21	1		CONTACTOR ASSY.	0		31204-ZA0-003	ES2, ES3, VMQ3, VSB4, VS4
		31204-ZA0-003	1			QBE1
	2		ARMATURE COMP.	0		31206-ZE3-003	ES2, ES3, VMQ3, VSB4, VS4
		31206-ZE3-003	1			QBE1
	3		CLUTCH COMP., OVERRUNNING	0		31207-ZE3-003	ES2, ES3, VMQ3, VSB4, VS4
		31207-ZE3-003	1			QBE1
	4		MOTOR UNIT, STARTER	0		31210-ZE3-023	ES2, ES3, VMQ3, VSB4, VS4
		31210-ZE3-023	1			QBE1
	5		BRACKET, CENTER	0		31211-ZE2-003	ES2, ES3, VMQ3, VSB4, VS4
		31211-ZE2-003	1			QBE1
	6		BRACKET, FR.	0		31212-ZE3-003	ES2, ES3, VMQ3, VSB4, VS4
		31212-ZE3-003	1			QBE1
	7		GEAR, DRIVE PINION	0		31213-ZE2-003	ES2, ES3, VMQ3, VSB4, VS4
		31213-ZE2-003	1			QBE1
	8		BRUSH	0		31215-ZE2-003	ES2, ES3, VMQ3, VSB4, VS4
		31215-ZE2-003	2			QBE1
	9		YOKE COMP.	0		31218-ZE3-003	ES2, ES3, VMQ3, VSB4, VS4

PARTS CATALOGUE NEWS

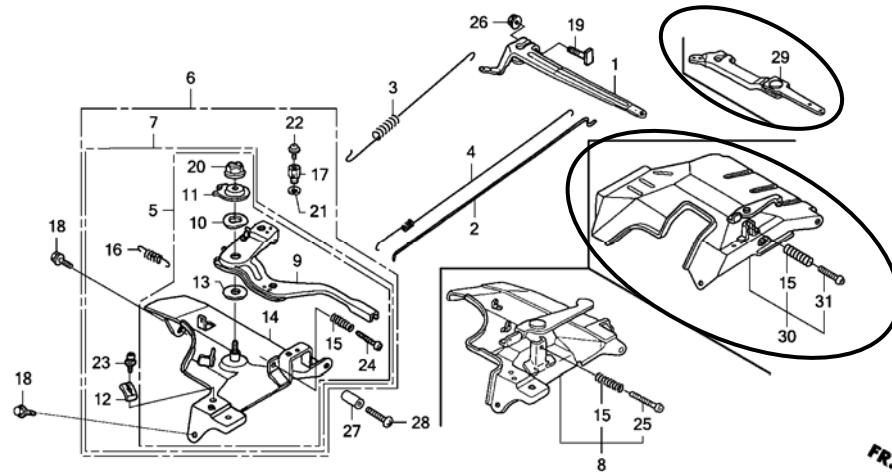
BOOKNo. : 13Z1C402

Block No.	Ref. No.	Part No.	Description	Reqd. QTY		Base Part No.	Parts catalogue code
				GX 390 T1			
		31218-ZE3-003	1		QBE1	
	10		SPRING, BRUSH RETURN	0	31219-ZE2-003	ES2, ES3, VMQ3, VSB4, VS4	
		31219-ZE2-003	4		QBE1	
	11		GEAR, REDUCTION	0	31222-ZE3-791	ES2, ES3, VMQ3, VSB4, VS4	
		31222-ZE3-791	1		QBE1	
	12		HOLDER, BRUSH	0	31231-ZE2-003	ES2, ES3, VMQ3, VSB4, VS4	
		31231-ZE2-003	1		QBE1	
	13		WIRE, WATER COVER	0	31232-ZE3-003	ES2, ES3, VMQ3, VSB4, VS4	
		31232-ZE3-003	1		QBE1	
	14		INSULATOR	0	31233-ZE2-003	ES2, ES3, VMQ3, VSB4, VS4	
		31233-ZE2-003	1		QBE1	
	15		BOLT-WASHER, 5X14	0	90007-ZE2-003	ES2, ES3, VMQ3, VSB4, VS4	
		90007-ZE2-003	2		QBE1	
	16		SCREW-WASHER, 4X6	0	90110-ZE2-003	ES2, ES3, VMQ3, VSB4, VS4	
		90110-ZE2-003	1		QBE1	
	17		PACKING	0	91601-ZE2-003	ES2, ES3, VMQ3, VSB4, VS4	
		91601-ZE2-003	1		QBE1	
	18		SCREW-WASHER, 5X32	0	93892-05032-18	ES2, ES3, VMQ3, VSB4, VS4	
		93892-05032-18	4		QBE1	
	19		NUT-WASHER, 6MM	0	94070-06080	ES2, ES3, VMQ3, VSB4, VS4	
		94070-06080	2		QBE1	
	20		BOLT, FLANGE, 8X35	0	95701-08035-08	ES2, ES3, VMQ3, VSB4, VS4	
		95701-08035-08	2		QBE1	

Block No.	Ref. No.	Part No.	Description	Reqd. QTY GX 390 T1	Base Part No.	Parts catalogue code
-----------	----------	----------	-------------	------------------------------	---------------	----------------------

E-22 CONTROL (1)

Ref. No.	(Relative ref. Number)	Description	FRT
1	(29)		
1161A0		ARM, GOVERNOR	0.2



E-22	1	ARM, GOVERNOR	0	16551-ZE3-000	ES2, ES3, VMQ3, VMT2, VMT3, VSB4, VSB5, VS4, VS6
	3	16561-ZE3-000 SPRING, GOVERNOR (L=137.5MM) .	1	16561-ZF6-T21	ES2, ES3, VMQ3, VMT2, VMT3, VSB4, VSB5, VS4, VS6
	4	16562-ZE3-700 SPRING, THROTTLE RETURN	1	16562-ZE3-000	ES2, ES3, VMQ3, VMT2, VMT3, VSB4, VSB5, VS4, VS6
	6	16570-ZE3-W10 CONTROL ASSY. (REMOTE)	1		QBE1, QHB1
	7	CONTROL ASSY. (REMOTE)	0	16570-ZE3-W20	QBE1, QHB1
	8	CONTROL ASSY.	0	16570-ZE3-721	ES2, ES3, VMQ3, VMT2, VMT3, VSB4, VSB5, VS4, VS6
	17	16594-883-010 HOLDER, WIRE	1		QBE1, QHB1
	21	90605-230-000 CIRCLIP, 5MM	1		QBE1, QHB1
	22	93500-04006-0H SCREW, PAN, 4X6	1		QBE1, QHB1
	25	SCREW, PAN, 5X45	0	93500-05045-0A	ES2, ES3, VMQ3, VMT2, VMT3, VSB4, VSB5, VS4, VS6
	27	16599-ZG1-M10 COLLAR, STOPPER	(1)		QHB1
	28	90016-ZG9-N30 SCREW, RECESSED, 5X25	(1)		QHB1

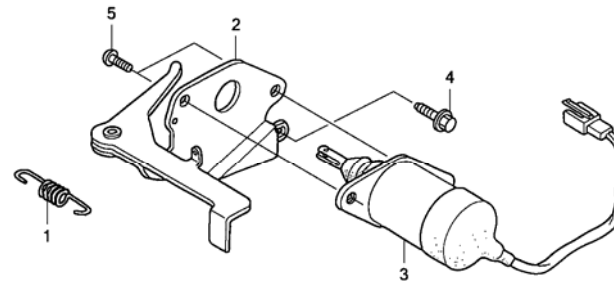
PARTS CATALOGUE NEWS

BOOKNo. : 13Z1C402

Block No.	Ref. No.	Part No.	Description	Reqd. QTY	Base Part No.	Parts catalogue code
				GX 390 TI		
	29	16550-ZE3-700	ARM COMP., GOVERNOR	1		ES2, ES3, VMQ3, VMT2, VMT3, VSB4, VSB5, VS4, VS6
	30	16570-ZE3-710	CONTROL ASSY.	1		ES2, ES3, VMQ3, VMT2, VMT3, VSB4, VSB5, VS4, VS6
	31	93500-05035-0A	SCREW, PAN, 5X35	1		ES2, ES3, VMQ3, VMT2, VMT3, VSB4, VSB5, VS4, VS6

E-22-20 AUTO THROTTLE

Ref. No.	(Relative ref. Number) LON Description	FRT
2 8101H1	LEVER, THROTTLE	0.2
3 6211C5	SOLENOID, AUTO THROTTLE	0.3



FR. →
Z1C0E2220

E-22-20	1	16268-893-000	SPRING, CHOKE RETURN	1		VMQ3, VMT2, VMT3
	2	17850-ZD1-E30	LEVER COMP., THROTTLE	1		VMQ3, VMT2, VMT3
	3	36160-ZB4-013	SOLENOID ASSY.	1		VMQ3, VMT2, VMT3
	4	90013-883-000	BOLT, FLANGE, 6X12 (CT200)	1		VMQ3, VMT2, VMT3
	5	93500-05008-0A	SCREW, PAN, 5X8	2		VMQ3, VMT2, VMT3
E-23	1		BOX ASSY., CONTROL *R280*..... POWER RED	0	31610-ZE3-W13ZE	ES2, ES3, VMQ3, VSB4, VSB5, VS4, VS6
	2	31610-ZE3-812ZD	BOX ASSY., CONTROL *R280*..... POWER RED	1		QBE1
	3		CASE, CONTROL	0	31612-ZE2-003	ES2, ES3, VMQ3, VSB4, VSB5, VS4, VS6

PARTS CATALOGUE NEWS

BOOKNo. : 13Z1C402

Block No.	Ref. No.	Part No.	Description	Reqd. QTY		Base Part No.	Parts catalogue code
				GX 390 TI			
		31612-ZE2-003	1		QBE1	
	4		BRACKET, CASE MOUNTING	0	31614-ZE2-003	ES2, ES3, VMQ3, VSB4, VSB5, VS4, VS6	
		31614-ZE2-003	1		QBE1	
	5		PANEL COMP., CONTROL *R280*..... POWER RED	0	31615-ZE3-003ZE	ES2, ES3, VMQ3, VSB4, VSB5, VS4, VS6	
		31615-ZE3-003ZE	*R280*..... POWER RED	1		QBE1	
	6		RECTIFIER ASSY., SILICON (SHINDENGEN)	0	31700-124-008	ES2, ES3, VMQ3, VSB4, VSB5, VS4, VS6	
		31700-124-008	1		QBE1	
	7		SUSPENSION, COUPLER	0	32127-738-700	ES2, ES3, VMQ3, VSB4, VSB5, VS4, VS6	
		32127-738-700	1		QBE1	
	8		HARNESS, SUB WIRE	0	32197-ZE1-003	ES2, ES3, VMQ3, VSB4, VSB5, VS4, VS6	
	9		BAND	0	32902-892-003	ES2, ES3, VMQ3, VSB4, VSB5, VS4, VS6	
		32902-892-003	1		QBE1	
	10		ALERT UNIT, OIL	0	34150-ZH7-003	ES2, ES3, VMQ3, VSB4, VSB5, VS4, VS6	
		34150-ZH7-013	1	34150-ZH7-003	VMT2, VMT3	
	11		SWITCH ASSY., COMBINATION	0	35100-ZE2-033	ES2, ES3, VMQ3, VSB4, VSB5, VS4, VS6	
		35100-ZE2-033	1		QBE1	
	12		KEY COMP.	0	35111-880-013	ES2, ES3, VMQ3, VSB4, VSB5, VS4, VS6	
		35111-880-013	2		QBE1	
	13		PROTECTOR, CIRCUIT (1.0A)	0	38240-VA3-900	ES2, ES3, VMQ3, VSB4, VSB5, VS4, VS6	
		38240-VA3-900	1		QBE1	
	14		LENS ASSY., PROTECTOR	0	38250-ZA8-701	ES2, ES3, VMQ3, VSB4, VSB5, VS4, VS6	
		38250-ZA8-701	1		QBE1	
	15		MARK, CONTROL BOX (EXP)	0	87529-ZE2-812	ES2, ES3, VMQ3, VSB4, VSB5, VS4, VS6	

PARTS CATALOGUE NEWS

BOOKNo. : 13Z1C402

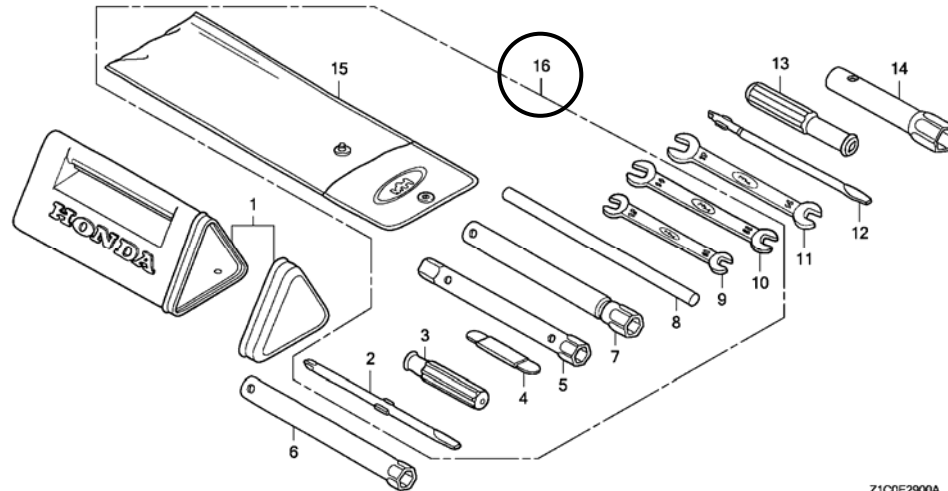
Block No.	Ref. No.	Part No.	Description	Reqd. QTY		Base Part No.	Parts catalogue code
				GX 390 T1			
		87529-ZE2-812	1		QBE1	
	16		BOLT, FLANGE, 6X12 (CT200)	0	90013-883-000	ES2, ES3, VMQ3, VSB4, VSB5, VS4, VS6	
		90013-883-000	2		QBE1	
	17		SCREW, SPECIAL, 6X12	0	90380-MA6-010	ES2, ES3, VMQ3, VSB4, VSB5, VS4, VS6	
		90380-MA6-010	1		QBE1	
	18		CLIP, PURSE LOCK	0	90630-751-000	ES2, ES3, VMQ3, VSB4, VSB5, VS4, VS6	
		90630-751-000	1		QBE1	
	19		STRAP, CABLE, 118MM (BLACK) ...	0	90672-SA0-003	ES2, ES3, VMQ3, VSB4, VSB5, VS4, VS6	
		90672-SA0-003	1		QBE1	
	20		TUBE, FASTENER, 30MM	0	91406-ZE2-003	ES2, ES3, VMQ3, VSB4, VSB5, VS4, VS6	
		91406-ZE2-003	1		QBE1	
	21		SCREW, PAN, 3X12	0	93500-03012-0H	ES2, ES3, VMQ3, VSB4, VSB5, VS4, VS6	
		93500-03012-0H	2		QBE1	
	22		SCREW, PAN, 4X12	0	93500-04012-0H	ES2, ES3, VMQ3, VSB4, VSB5, VS4, VS6	
		93500-04012-0H	1		QBE1	
	23		NUT, HEX., 4MM	0	94001-04390-0S	ES2, ES3, VMQ3, VSB4, VSB5, VS4, VS6	
		94001-04390-0S	1		QBE1	
	24		WASHER, PLAIN, 4MM	0	94101-04800	ES2, ES3, VMQ3, VSB4, VSB5, VS4, VS6	
	25		WASHER, SPRING, 4MM	0	94111-04800	ES2, ES3, VMQ3, VSB4, VSB5, VS4, VS6	
		94111-04800	1		QBE1	
	26		FUSE, BLADE (5A)	0	98200-30500	ES2, ES3, VMQ3, VSB4, VSB5, VS4, VS6	
		98200-30500	1		QBE1	
E-28	3		MARK, OPERATOR CAUTION	0	87516-Z0S-800		
	5		MARK, CHOKE (ORANGE)	0	87528-ZE2-810		

PARTS CATALOGUE NEWS

BOOKNo. : 13Z1C402

Block No.	Ref. No.	Part No.	Description	Reqd. QTY		Base Part No.	Parts catalogue code
				GX 390 TI			
	6		MARK, OIL ALERT (ENGLISH)	0		87532-ZH8-810	
	8	87516-Z0T-800	MARK, OPERATOR CAUTION	1			QBE1, QHB1
		87516-Z4H-000	MARK, OPERATOR CAUTION (ENGLISH) (MADE IN THAI)	1			QAPW
		87516-Z4H-810	MARK, OPERATOR CAUTION (PICTOGRAPH) (MADE IN THAI)	(1)			QAPW, QBE1, QHB1
	9	87528-ZH7-000	MARK, CHOKE (GRAY)	1			QAPW, QBE1, QHB1
	10	87532-ZH7-000	MARK, THROTTLE INDICATION	1			QAPW, QBE1, QHB1
	13	87114-ZH7-821	LABEL, WARNING (NOT CERTIFIED FOR SALE)	1		87114-ZH7-000	QAPW
		87114-ZH7-840	1		87114-ZH7-000	QBE1, QHB1
	14	87516-Z0S-810	MARK, OPERATOR CAUTION	1			ES2, VMT2
	15		EMBLEM (HONDA GX390)	0		87521-ZF6-W04	ES2, ES3, VSB4, VSB5, VS4, VS6

E-29 TOOL



Z1C0E2900A

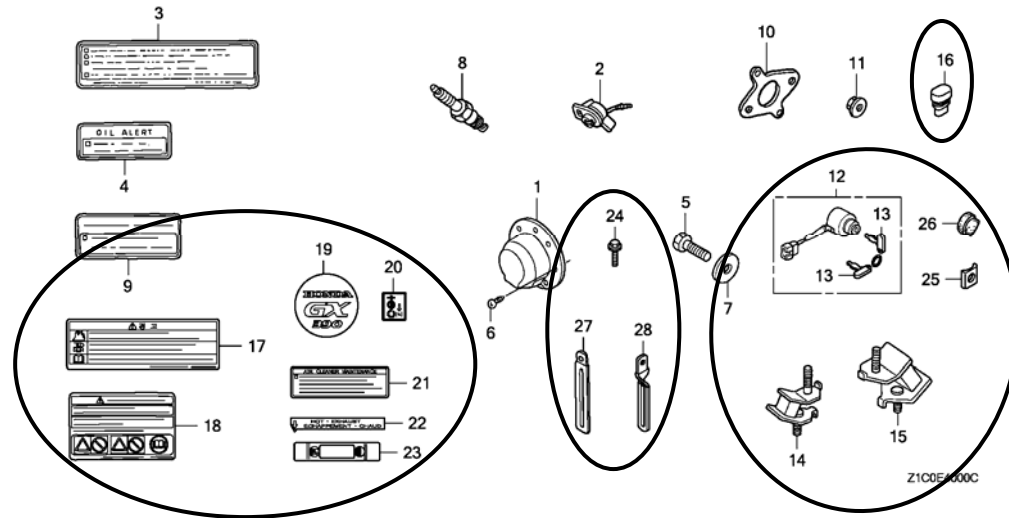
PARTS CATALOGUE NEWS

BOOKNo. : 13Z1C402

Block No.	Ref. No.	Part No.	Description	Reqd. QTY	Base Part No.	Parts catalogue code
				GX 390 TI		
E-29	1	83501-ZF1-000	BOX, TOOL	1	VSB4, VSB5	
	2	89102-538-000	DRIVER, SCREW (NO. 2 + -)	1	VSB4, VSB5	
	3	89103-538-000	GRIP	1	VSB4, VSB5	
	4	89210-ZF1-000	GAUGE ASSY., THICKNESS	1	VSB4, VSB5	
	5	89216-ZF1-000	WRENCH, BOX	1	VSB4, VSB5	
	6	89216-ZB4-000	WRENCH, PLUG	1	ES2, ES3, VMQ3, VMT2, VMT3, VS4, VS6	
		89216-Z0T-800	WRENCH, SPARK PLUG	1	QAPW	
	7	89218-ZE1-000	WRENCH COMP., SPARK PLUG	1	VSB4, VSB5	
	8	89219-805-000	HANDLE, BOX WRENCH	1	VSB4, VSB5	
	9	99001-10120	SPANNER, 10X12	1	VSB4, VSB5	
	10	99001-10140	SPANNER, 10X14	1	VSB4, VSB5	
	15	99008-02300	BAG, TOOL, 230MM	1	VSB4, VSB5	
	16	89001-ZF1-000	BAG SET, TOOL	1	VSB4, VSB5	

Block No.	Ref. No.	Part No.	Description	Reqd. QTY GX 390 T1	Base Part No.	Parts catalogue code
-----------	----------	----------	-------------	------------------------------	---------------	----------------------

E-40 OTHER PARTS (1)



E-40	8	98079-55846	PLUG, SPARK (BPR5ES) (NGK)	1	ES2, ES3, VS4, VS6
	12	35100-ZB4-023	SWITCH ASSY., COMBINATION	1	VS5, VS6
	13	35111-880-013	KEY COMP.	2	VS5, VS6
	14	68325-ZC2-000	RUBBER, BOTTOM	2	ES2, ES3, VSB4, VSB5, VS4, VS6
	15	68325-899-000	RUBBER, BOTTOM	2	ES2, ES3, VSB4, VSB5, VS4, VS6
	16	76122-952-000	STOPPER, DISCHARGE GUARD	4	VS4, VS6
	17	87516-Z0S-800	MARK, OPERATOR CAUTION	1	VSB4, VSB5, VS4, VS6
	18	87516-Z4H-800	MARK, OPERATOR CAUTION (FRENCH) (MADE IN THAI)	1	QAPW
	19	87521-ZF6-W04	EMBLEM (HONDA GX390)	1	ES2, ES3, VSB4, VSB5, VS4, VS6
	20	87528-898-620	MARK, CHOKE	1	ES2, ES3, VMQ3, VMT2, VMT3, VSB4, VSB5, VS4, VS6
	21	87533-ZC0-630	MARK, AIR CLEANER	1	ES2, ES3, VMQ3, VMT2, VMT3, VSB4, VSB5, VS4, VS6

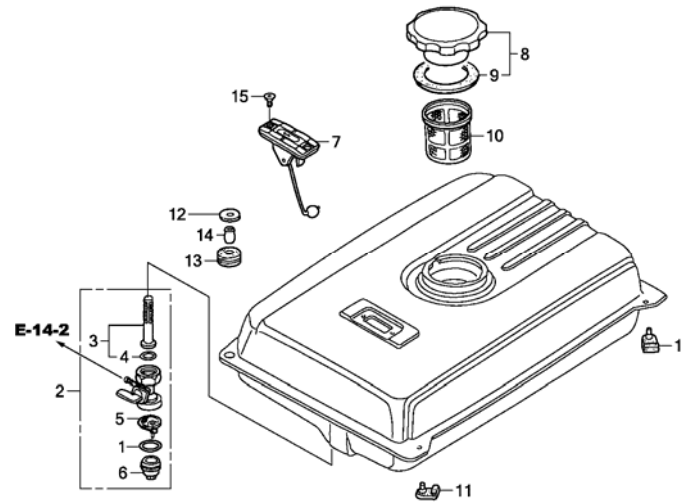
PARTS CATALOGUE NEWS

BOOKNo. : 13Z1C402

Block No.	Ref. No.	Part No.	Description	Reqd. QTY	Base Part No.	Parts catalogue code
				GX 390 T1		
	22	87539-898-620	MARK, EX. CAUTION (ENGLISH/FRENCH)	1		ES2, ES3, VMQ3, VMT2, VMT3, VSB4, VSB5, VS4, VS6
	23	87565-ZB4-A00	PLATE, FUEL INDICATION	1		VMQ3, VMT2, VMT3
	24	90013-883-000	BOLT, FLANGE, 6X12 (CT200)	1		VMT2, VMT3
	25	90501-898-000	WASHER, FRAME JOINT	8		VS6
	26	90855-ZB4-000	GROMMET, CRANKCASE	1		VMQ3, VMT2, VMT3
	27	91406-166-000	CLIP, WIRE	1		VMT2, VMT3
	28	91406-729-000	CLIP, HEAD	1		VSB5

E-40-1 OTHER PARTS (2) (FUEL COCK)

Ref. No.	LON	(Relative ref. Number) Description	FRT
2	3101A3	COCK, FUEL	0.2
3		(4)	
	3101D5	SCREEN, FUEL STRAINER	0.2
5	3101A7	FILTER, FUEL TANK CUP	0.2
7	6171A1	METER/GAUGE UNIT, FUEL	0.1
10	3101A6	FILTER, FUEL	0.1



Z1C0E4001

E-40-1	1	16173-001-004	PACKING, FUEL STRAINER CUP ...	1		ES2, ES3, VMQ3, VMT2, VMT3, VSB4, VSB5, VS4, VS6
	2	16950-ZB4-015	COCK ASSY., FUEL	1		ES2, ES3, VMQ3, VMT2, VMT3, VSB4, VSB5, VS4, VS6
	3	16952-ZB4-005	SCREEN SET, FUEL STRAINER	1		ES2, ES3, VMQ3, VMT2, VMT3, VSB4, VSB5, VS4, VS6
	4	16958-397-771	O-RING, 9. 0X1.3	1		ES2, ES3, VMQ3, VMT2, VMT3, VSB4, VSB5, VS4, VS6

PARTS CATALOGUE NEWS

BOOKNo. : 13Z1C402

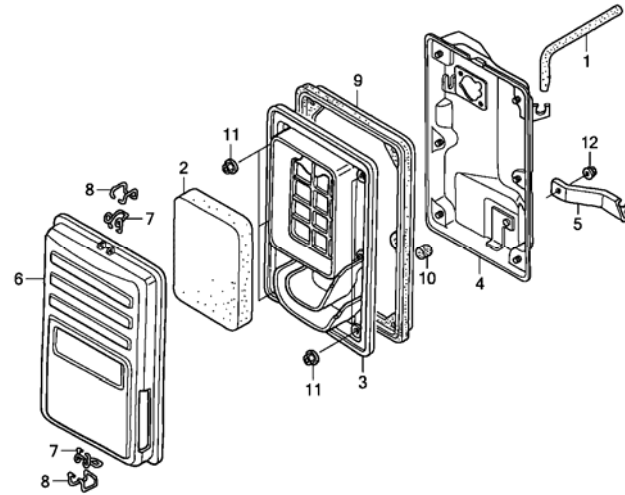
Block No.	Ref. No.	Part No.	Description	Reqd. QTY	Base Part No.	Parts catalogue code
				GX 390 TI		
	5	16959-471-831	FILTER, CUP	1		ES2, ES3, VMQ3, VMT2, VMT3, VSB4, VSB5, VS4, VS6
	6	16967-GA6-671	CUP, FUEL STRAINER	1		ES2, ES3, VMQ3, VMT2, VMT3, VSB4, VSB5, VS4, VS6
	7	17505-ZB2-003	METER ASSY., FUEL	1		ES2, ES3, VMQ3, VMT2, VMT3, VSB4, VSB5, VS4, VS6
	8	17620-899-013	CAP COMP., FUEL FILLER	1		ES2, ES3, VMQ3, VMT2, VMT3, VSB4, VSB5, VS4, VS6
	9	17631-899-000	PACKING, FUEL FILLER CAP	1		ES2, ES3, VMQ3, VMT2, VMT3, VSB4, VSB5, VS4, VS6
	10	17670-899-000	FILTER COMP., FUEL	1		ES2, ES3, VSB4, VSB5, VS4, VS6
		17672-899-000	FILTER, FUEL	1		VMQ3, VMT2, VMT3
	11	50319-ZB2-000	RUBBER, TANK MOUNTING	2		ES2, ES3, VMQ3, VMT2, VMT3, VSB4, VSB5
	12	90503-898-000	WASHER, TANK CUSHION	2		ES2, ES3, VSB4, VSB5
				4		VS4, VS6
	13	90851-898-000	RUBBER, TANK CUSHION	2		ES2, ES3, VMQ3, VMT2, VMT3, VSB4, VSB5
				4		VS4, VS6
	14	91551-898-000	COLLAR, TANK CUSHION	2		ES2, ES3, VMQ3, VMT2, VMT3, VSB4, VSB5
				4		VS4, VS6
	15	93600-05010-0A	SCREW, FLAT, 5X10	2		VMQ3, VMT2, VMT3

BOOKNo. : 13Z1C402

Block No.	Ref. No.	Part No.	Description	Reqd. QTY GX 390 T1	Base Part No.	Parts catalogue code
-----------	----------	----------	-------------	------------------------------	---------------	----------------------

E-40-2 OTHER PARTS (3) (AIR CLEANER)

Ref. No.	(Relative ref. Number)	Description	FRT
2	3121B8	ELEMENT, AIR CLEANER INCLUDES: Air cleaner element -inspection	0.1
3	3121F0	SEPARATOR, AIR CLEANER 0.1	0.1
4	3121A5	CASE, AIR CLEANER 0.2	0.2
9	3121E8	SEAL, AIR CLEANER CASE 0.1	0.1



Z1C0E4002

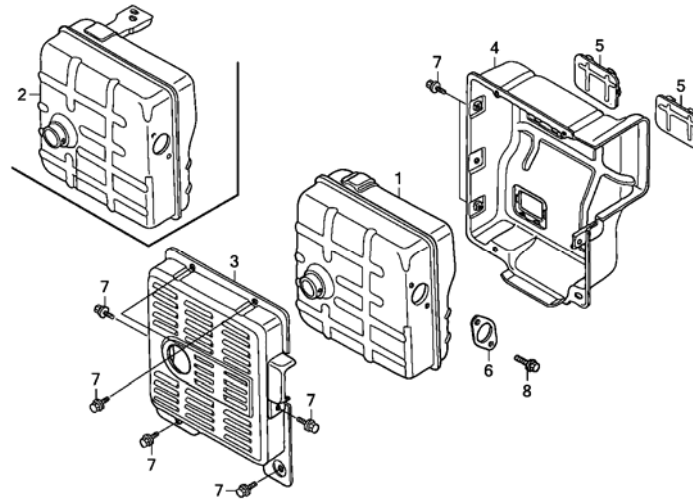
E-40-2	1	15721-ZB4-000	TUBE, BREATHER	1	ES2, ES3, VMQ3, VMT2, VMT3, VSB4, VSB5, VS4, VS6
	2	17211-899-000	ELEMENT, AIR CLEANER	1	ES2, ES3, VMQ3, VMT2, VMT3, VSB4, VSB5, VS4, VS6
	3	17212-ZB4-003	SEPARATOR, AIR CLEANER	1	ES2, ES3, VMQ3, VMT2, VMT3, VSB4, VSB5, VS4, VS6
	4	17220-ZB4-003	CASE COMP., AIR CLEANER	1	ES2, ES3, VMQ3, VMT2, VMT3, VSB4, VSB5, VS4, VS6
	5	17222-ZC2-000	STAY, AIR CLEANER	1	ES2, ES3, VMQ3, VMT2, VMT3, VSB4, VSB5, VS4, VS6
	6	17231-899-000	COVER COMP., AIR CLEANER	1	ES2, ES3, VMQ3, VMT2, VMT3, VSB4, VSB5, VS4, VS6
	7	17235-899-000	CLIP A, AIR CLEANER WIRE	2	ES2, ES3, VMQ3, VMT2, VMT3, VSB4, VSB5, VS4, VS6
	8	17236-899-000	CLIP B, AIR CLEANER WIRE	2	ES2, ES3, VMQ3, VMT2, VMT3, VSB4, VSB5, VS4, VS6
	9	17252-899-000	SEAL, AIR CLEANER	1	ES2, ES3, VMQ3, VMT2, VMT3, VSB4, VSB5, VS4, VS6
	10	17367-413-690	FILTER, DRAIN TUBE	1	ES2, ES3, VMQ3, VMT2, VMT3, VSB4, VSB5, VS4, VS6
	11	94050-05000	NUT, FLANGE, 5MM	6	ES2, ES3, VMQ3, VMT2, VMT3, VSB4, VSB5, VS4, VS6
	12	94050-06000	NUT, FLANGE, 6MM	1	VMQ3, VMT2, VMT3

BOOKNo. : 13Z1C402

Block No.	Ref. No.	Part No.	Description	Reqd. QTY GX 390 T1	Base Part No.	Parts catalogue code
-----------	----------	----------	-------------	------------------------------	---------------	----------------------

E-40-3 OTHER PARTS (4) (MUFFLER)

Ref. No.	(Relative ref. Number)	Description	FRT
1	(2)		
3131C5		MUFFLER, EXHAUST	0.2
3	3131D9	PROTECTOR, EXHAUST MUFFLER : OUTER	0.1
4	3131D8	PROTECTOR, EXHAUST MUFFLER : INNER	0.2
6	3131B5	GASKET, EXHAUST PIPE	0.2



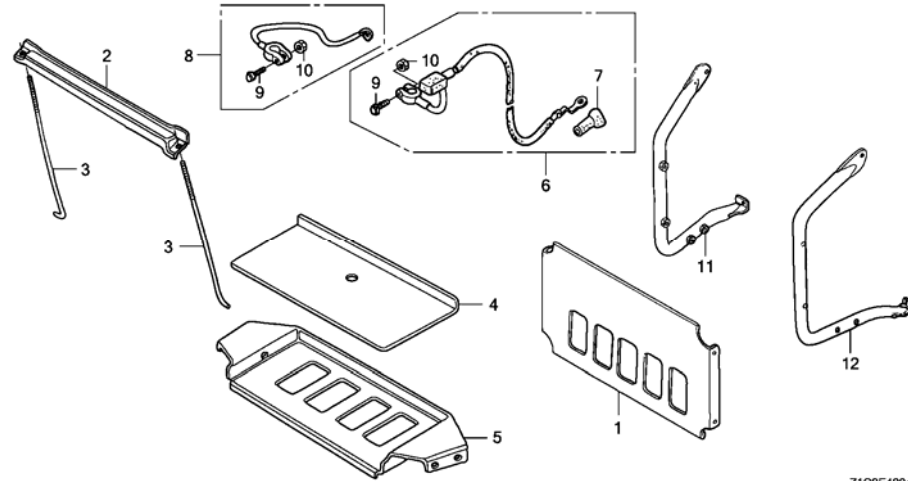
E-40-3	1	18310-ZE2-V61	MUFFLER COMP. (TSURUMI)	1	VS4, VS6
	2	18310-Z1C-840	MUFFLER COMP.	1	ES2, ES3, VMQ3, VMT2, VMT3, VSB4, VSB5
	3	18320-ZC2-000	PROTECTOR, MUFFLER OUTER	1	ES2, ES3, VMQ3, VMT2, VMT3, VSB4, VSB5, VS4, VS6
	4	18325-ZB4-000	PROTECTOR, MUFFLER INNER	1	ES2, ES3, VMQ3, VMT2, VMT3, VSB4, VSB5, VS4, VS6
	5	18329-ZB4-000	SEAL, MUFFLER PROTECTOR	2	ES2, ES3, VMQ3, VMT2, VMT3, VSB4, VSB5, VS4, VS6
	6	18333-ZB4-800	GASKET, EX. PIPE	1	ES2, ES3, VMQ3, VMT2, VMT3, VSB4, VSB5, VS4, VS6
	7	95701-06010-00	BOLT, FLANGE, 6X10	8	VMQ3, VMT2, VMT3
	8	95701-08020-00	BOLT, FLANGE, 8X20	2	VMQ3, VMT2, VMT3

PARTS CATALOGUE NEWS

BOOKNo. : 13Z1C402

Block No.	Ref. No.	Part No.	Description	Reqd. QTY GX 390 T1	Base Part No.	Parts catalogue code
-----------	----------	----------	-------------	------------------------------	---------------	----------------------

E-40-4 OTHER PARTS (5) (BATTERY TRAY)



E-40-4	1	31511-ZB4-000	PLATE, BATTERY GUARD	1	VSB5, VS6
	2	31512-880-810	PLATE, BATTERY SETTING	1	VSB5, VS6
	3	31513-634-000	BOLT, BATTERY SETTING, 220MM .	2	VSB5, VS6
	4	31521-880-000	PLATE, BATTERY	1	VSB5, VS6
	5	31550-899-000	BASE, BATTERY TRAY	1	VSB5, VS6
	6	32410-ZB4-620	CABLE ASSY., STARTING	1	VSB5, VS6
	7	32411-253-000	COVER, STARTER MOTOR TERMINAL	1	VSB5, VS6
	8	32430-ZB4-620	CABLE ASSY., EARTH	1	VSB5, VS6
	9	32601-SK7-900	BOLT, BATTERY TERMINAL	2	VSB5, VS6
	10	32602-SK7-900	NUT, BATTERY TERMINAL	2	VSB5, VS6
	11	50365-ZD1-E30ZA	GUARD, FR. BATTERY *NH105*...MAT BLACK (#15-#20)	1	VSB5

PARTS CATALOGUE NEWS

BOOKNo. : 13Z1C402

Block No.	Ref. No.	Part No.	Description	Reqd. QTY	Base Part No.	Parts catalogue code
	12	50375-ZD1-E30ZA	GUARD, RR. BATTERY *NH105*...MAT BLACK (#15-#20)	GX 390 T1 1	VSB5	



PARTS CATALOGUE NEWS

Honda Motor Co., Ltd. Service Division

Printed in Japan

CODE NO.	13Z1C402
PARTS CATALOGUE NEWS	GX390T1
NEWS NO.	003

(THAILAND-KD)

GX390T1-QTN type sales information

NOTE: This Parts Catalogue News explains only the parts of the different model that are produced to conform to addition of the GX390T1-QTN type.

As for the parts not listed on this Parts Catalogue News, use the parts of the GX390T1-QT type.

• Models, parts catalogue codes and applicable serial numbers

Model	Type		Parts catalogue type	Applicable engine serial No.	Applicable carburetor identification No.
GX390T1	QT	Base type	QT	GCAET-1000001~	BE85N A
	QTN	Additional type	QTN		

• Features of each type		Base type	Additional type
Specifications	Model	GX390T1	
	Type	QT	QTN
Crankshaft	30mmØ Spline		
	25.4mmØ Spline		
	25.4mmØ Straight	●	●
	25mmØ Straight		
	5/16" Tapered		
	M10 Tapered		
Air cleaner	Silent		
	Oil bath	●	●
	Boat		
	Standard		
	Generator		
Muffler	●	●	
Muffler cover			
Spark arrester			
Fuel tank	●	●	
Oil alert			
Starter motor			
Control box			
Reduction			

PARTS CATALOGUE NEWS

BOOKNo. : 13Z1C402

Block No.	Ref. No.	Part No.	Description	Reqd. QTY	Base Part No.	Parts catalogue code
				GX 390 TI		
E-8	2	13101-Z5T-000	PISTON (STD.)	1	13101-ZF6-811	
		13102-Z5T-000	PISTON (0.25)	(1)	13102-ZF6-811	
		13103-Z5T-000	PISTON (0.50)	(1)	13103-ZF6-811	
		13104-Z5T-000	PISTON (0.75)	(1)	13104-ZF6-811	
E-9	11	14771-Z8S-000	RETAINER, IN. VALVE SPRING ...	1	14771-ZE2-000	
	12	14773-Z8S-000	RETAINER, EX. VALVE SPRING ...	1	14773-ZE2-000	
	15	14791-Z1D-000	GUIDE, PUSH ROD	1	14791-ZE2-010	
E-19	7	90201-ZE3-790	NUT, SPECIAL, 16MM	1	90201-ZE3-V00	
E-20	2		TERMINAL ASSY., HIGH TENSION (NICHIIWA Y-EZ)	0	30600-ZE1-013	
E-28	1		LABEL, E-SPEC (15.5X27.5)	0	87135-ZE2-020	
	13	87114-ZH7-000	LABEL, WARNING (NOT CERTIFIED FOR SALE)	1		
E-29	1		BOX, TOOL	0	83501-ZF1-000	
	2		DRIVER, SCREW (NO. 2 + -)	0	89102-538-000	
	3		GRIP	0	89103-538-000	
	4		GAUGE ASSY., THICKNESS	0	89210-ZF1-000	
	5		WRENCH, BOX	0	89216-ZF1-000	
	10		SPANNER, 10X14	0	99001-10140	



PARTS CATALOGUE NEWS

Honda Motor Co., Ltd. Service Division

PARTS CATALOGUE - CORRECTED

Printed in Japan

CODE NO.	13Z1C402
PARTS CATALOGUE NEWS	GX390T1
NEWS NO.	004

(THAILAND-KD)

Block No.	Ref. No.	Note	Part No.	Description	Reqd. QTY	Serial No.	Parts catalogue code
E-20	7	T	31630-ZE1-003	COIL ASSY., CHARGE (1A)	1	-----	LXE8, PXE8, QXE8, SXE8, VXE8
		T	31630-ZE1-013	1	-----	LXE9, QBE1, QXE, QXEK, SHE, SWE, SWE2, SXE, VMT2, VMT3, VSB5, VS6 VTE5, VXE, VXK, VXU1

NOTE A:PART NO. CHANGE D:NEWLY PROVIDED E:PART NO.DELETION K:REQUIRED NO. CORRECTION L:APPLICATION SERIAL NO. CORRECTION
T:APPLICATION CORRECTION Z:REMARKS CHANGE



PARTS CATALOGUE NEWS

Honda Motor Co., Ltd. Service Division

PARTS CATALOGUE - CORRECTED

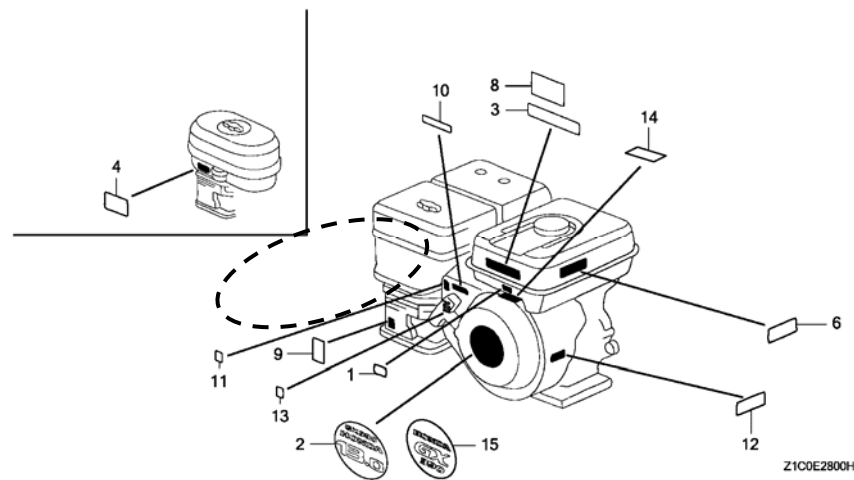
Printed in Japan

CODE NO.	13Z1C402
PARTS CATALOGUE NEWS	GX390T1
NEWS NO.	005

(THAILAND-KD)

Block No.	Ref. No.	Note	Part No.	Description	Reqd. QTY	Serial No.	Parts catalogue code
					GX 390 T1		
E-17	4	E	17620-Z0T-820	*PARTS NO. DELETION			
	13	D	17620-Z0T-820	CAP COMP., FUEL FILLER (CHROME PLATED)	1	-----	LBHB, QBH, QBHS, QBL5, QBS

E-28 LABEL (1)



NOTE A:PART NO. CHANGE D:NEWLY PROVIDED E:PART NO. DELETION K:REQUIRED NO. CORRECTION L:APPLICATION SERIAL NO. CORRECTION
T:APPLICATION CORRECTION Z:REMARKS CHANGE

PARTS CATALOGUE NEWS

BOOKNo. : 13Z1C402

Block No.	Ref. No.	Note	Part No.	Description	Reqd. QTY		Serial No.	Parts catalogue code
					GX 390 T1			
E-28	5	E	87528-ZE2-810	*PARTS NO. DELETION				
		E	87528-Z0T-800	*PARTS NO. DELETION				
		E	87528-ZH7-000	*PARTS NO. DELETION				
	9	T	87528-ZE2-810	MARK, CHOKE (ORANGE)	1	-----	-----	LH, LHB5, LHP1, LH2, LXE8, LXU, PX, PXE8, PXU, QAA2, QAA6, QA2, QA26 QH, QHB3, QHB5, QHP1, QMH, QN, QP, QX, QXE, QXEK, QXE8, QXK, QXU, SH SHE, SN, SWE, SWE2, SWX, SWX2, SX, SXC, SXE, SXE8, VTE5, VX, VXE, VXE8 VXK, VXU1, VX8
		T	87528-ZH7-000	MARK, CHOKE (GRAY)	1	-----	-----	LXE9, QAPW, QBE1, QHB1, VSP
		D	87528-Z0T-800	MARK, CHOKE (THAI)	1	-----	-----	LT, QT, QTD, QTN

NOTE A:PART NO. CHANGE D:NEWLY PROVIDED E:PART NO.DELETION K:REQUIRED NO. CORRECTION L:APPLICATION SERIAL NO. CORRECTION
T:APPLICATION CORRECTION Z:REMARKS CHANGE



PARTS CATALOGUE NEWS

Honda Motor Co., Ltd. Service Division

PARTS CATALOGUE - CORRECTED

Printed in Japan

CODE NO.	13Z1C402
PARTS CATALOGUE NEWS	GX390T1
NEWS NO.	006

(THAILAND-KD)

Block No.	Ref. No.	Note	Part No.	Description	Reqd. QTY	Serial No.		Parts catalogue code
					GX 390 T1			
E-11	10	D	28462-Z1C-801	ROPE, RECOIL STARTER	1	-----	-----	LBHB, QBH, QBHS, QBLs, QBS
E-29	1	T	83501-ZF1-000	BOX, TOOL	1	-----	-----	LT, QHB3, QN, QT, QTD, SWX, SWX2, VSB4, VSB5
	2	T	89102-538-000	DRIVER, SCREW (NO. 2 + -)	1	-----	-----	LT, QHB3, QN, QT, QTD, SWX, SWX2, VSB4, VSB5
	3	T	89103-538-000	GRIP	1	-----	-----	LT, QHB3, QN, QT, QTD, SWX, SWX2, VSB4, VSB5
	4	T	89210-ZF1-000	GAUGE ASSY., THICKNESS	1	-----	-----	LT, QHB3, QN, QT, QTD, SWX, SWX2, VSB4, VSB5
	5	T	89216-ZF1-000	WRENCH, BOX	1	-----	-----	LT, QHB3, QN, QT, QTD, SWX, SWX2, VSB4, VSB5
	10	T	99001-10140	SPANNER, 10X14	1	-----	-----	LT, QHB3, QN, QT, QTD, SWX, SWX2, VSB4, VSB5

NOTE A:PART NO. CHANGE D:NEWLY PROVIDED E:PART NO. DELETION K:REQUIRED NO. CORRECTION L:APPLICATION SERIAL NO. CORRECTION
T:APPLICATION CORRECTION Z:REMARKS CHANGE