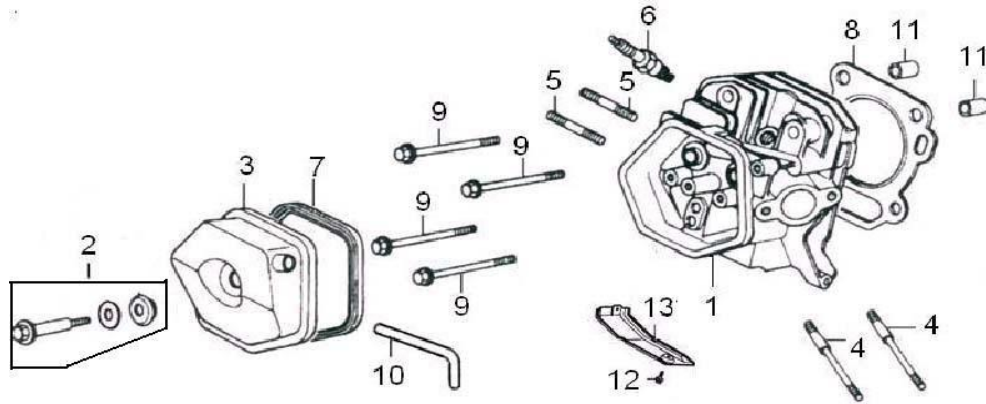
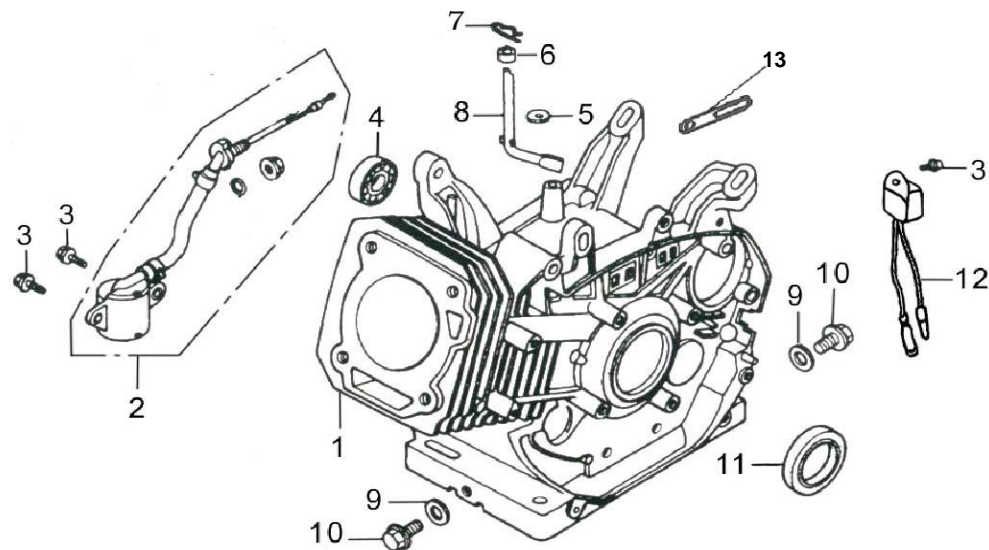


**GG8000**



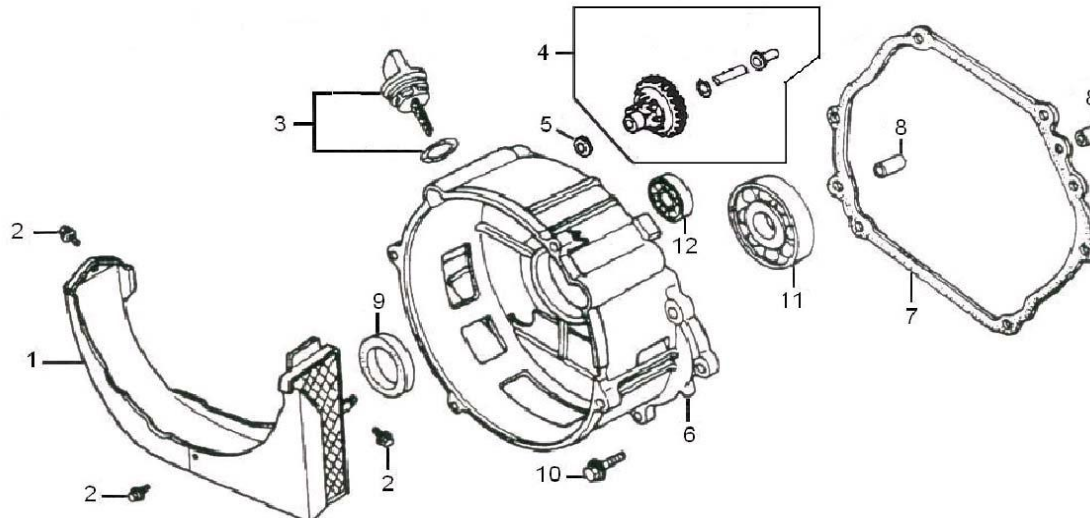
( CYLINDER HEAD)

No.	Part No.	Description	Reqd. QTY	UNIT	CONSUMABLE GRADE
1	120080338-0001	HEAD , ONLY , CYLIN	1	件/PIECES	B
2	120420011-0001	BOLT COMP,HEAD	1	套/SETS	C
3	120220009-0001	COVER COMP. HEAD	1	件/PIECES	C
4	380180112-0001	BOLT, STUD, EXHAUST	2	件/PIECES	C
5	380180098-0001	BOLT, STUD, EXHAUST	2	件/PIECES	C
6	270960014-0002	SPARK PLUG	1	件/PIECES	A
7	380840425-0001	PACKING, HEAD	1	件/PIECES	A
8	120150141-0001	GASKET,CYLINDER	1	件/PIECES	A
9	380140337-0001	BOLT, FLANGE	4	件/PIECES	C
10	380740461-0001	TUBE, BREATHER	1	件/PIECES	A
11	380600116-0001	PIN,DOWEL	2	件/PIECES	C
12	380140001-0006	BOLT, FLANGE	1	件/PIECES	C
13	160190006-0001	SHROUD COMP	1	件/PIECES	C



(CRANK CASE)

No.	Part No.	Description	Reqd. QTY	UNIT	CONSUMABLE GRADE
1	110810035-0001	BARREL ASSY,CYLN	1	件/PIECES	B
2	281850152-0001	SWITCH ASSY., OIL LEVEL	1	套/SETS	A
3	380140001-0006	BOLT, FLANGE	3	件/PIECES	C
4	380630099-0001	BEARING	1	件/PIECES	B
5	380450522-0001	FLAT WASHER	1	件/PIECES	C
6	380650339-0001	OIL SEAL	1	件/PIECES	A
7	381350004-0001	PIN, LOCK	1	件/PIECES	B
8	171630003-0001	SHAFT, GOVERNOR ARM	1	件/PIECES	B
9	380450516-0001	WASHER, DRAIN PLUG	2	件/PIECES	C
10	110260024-0001	BOLT, DRAIN PLUG	2	件/PIECES	C
11	380650337-0001	OIL SEAL	1	件/PIECES	A
12	281890001-0001	ALERT UNIT,OIL	1	件/PIECES	A
13	380940346-0001	CABLE CLEAT	1	件/PIECES	B

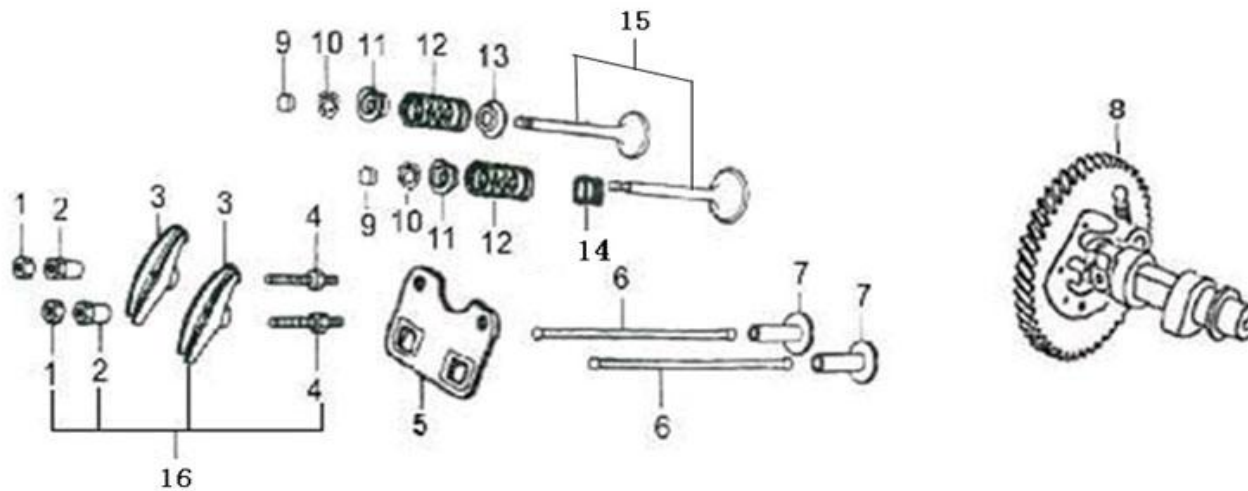


( CRANK CASE COVER )

No.	Part No.	Description	Reqd. QTY	UNIT	CONSUMABLE GRADE
1	660040002-0001	COVER, DUST	1	件/PIECES	C
2	380140332-0001	BOLT, FLANGE	3	件/PIECES	C
3	110690039-0002	CAP ASSY, OIL FILLER	1	套/SETS	B
4	171750004-0001	GOVERNOR KIT	1	套/SETS	B
5	380450531-0001	WASHER, DRAIN PLUG	1	件/PIECES	C
6	110820044-0001	COVER ASSY., CRANK	1	件/PIECES	C
7	110830008-0001	PACKING , CASE COVER	1	件/PIECES	A
8	380600119-0001	PIN, DOWEL	2	件/PIECES	C
9	380650337-0001	OIL SEAL	1	件/PIECES	A
10	380140005-0006	BOLT, FLANGE	7	件/PIECES	C
11	380630141-0002	BEARING	1	件/PIECES	B
12	380630099-0001	BEARING	1	件/PIECES	B

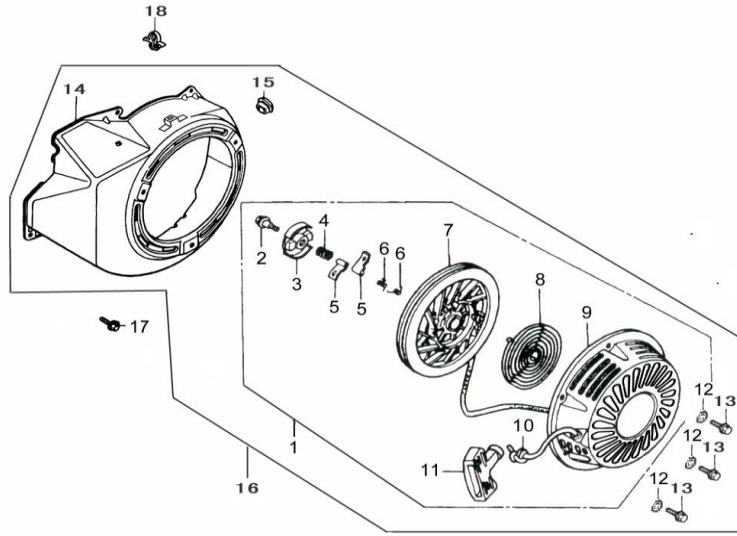






(GAS DISTRIBUTION ADJUSTMENT)

No.	Part No.	Description	Reqd. QTY	UNIT	CONSUMABLE GRADE
1	140470001-0001	NUT,PIVOT ADJUSTING	2	件/PIECES	B
2	140490012-0001	PIVOT ROCKER ARM	2	件/PIECES	B
3	140460024-0001	ROCKER ARM	2	件/PIECES	B
4	140480012-0001	BOLT POVIT	2	件/PIECES	B
5	140710002-0001	PLATE , PUSH ROD GUIDE	1	件/PIECES	B
6	140670006-0001	ROD , PUSH	2	件/PIECES	B
7	140690004-0001	LIFTER , VALVE	2	件/PIECES	B
8	140020056-0001	CAMSHAFT ASSY	1	件/PIECES	B
9	140320002-0001	ROTATOR,VALVE	2	件/PIECES	B
10	140390015-0001	VALVE KEEPER	4	件/PIECES	B
11	140380021-0001	RETAINER,VALVE SPRING	2	件/PIECES	B
12	140340025-0001	SPRING,VALVE	2	件/PIECES	A
13	140360010-0001	SEAT,VALVE SPRING	1	件/PIECES	B
14	140400012-0001	SEAL,VALVE STEM	1	件/PIECES	A
15	500550032-0001	VALVE KIT	1	套/SETS	B
16	140450023-0001	ARM ASSY	2	套/SETS	B

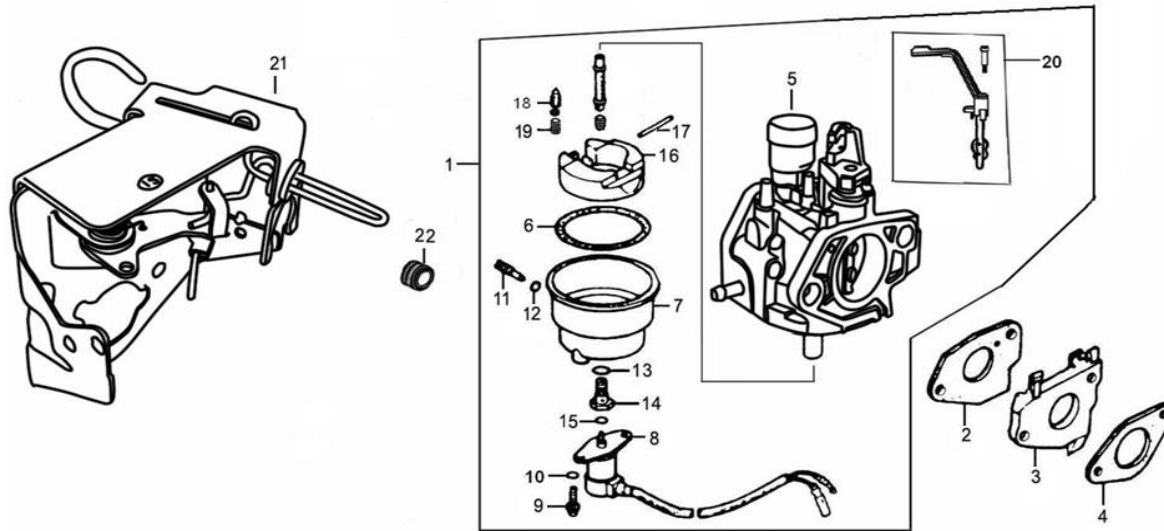


( STARTER SUBASSEMBLY )

No.	Part No.	Description		Reqd. QTY	UNIT	CONSUMABLE GRADE
1	193500036-T110	STARTER ASSY.	T110_2#_A款_铁棘爪_16#黄色Y1C	1	套/SETS	B
2	380020067-0001	SCREW, SETTING	T040;镀白锌Q08_手起动部件压板位置	1	件/PIECES	C
3	193550003-0001	GUIDE, RATCHET	T040;	1	件/PIECES	C
4	381150342-0001	SPRING, FRICTION	T040_起动器内导向板分离弹簧;	1	件/PIECES	A
5	193540003-0001	RATCHET, STARTER	T040;	2	件/PIECES	C
6	381160090-0001	SPRING, RETURN	T040_驱动凸轮扭簧;	2	件/PIECES	A
7	193520005-0001	REEL, RECOIL STARTER	T110;	1	件/PIECES	B
8	193340019-0001	SPRING, RECOIL STARTER	T110;	1	件/PIECES	A
9	193640008-T110	COVER COMP., FAN	T110_A款_16#黄色Y1C	1	件/PIECES	C
10	193530005-0001	ROPE	T110_白色尼龙;	1	件/PIECES	A
11	193560004-0001	KNOB, RECOIL STARTER	T040_2#;	1	件/PIECES	B
12	380450004-0003	WASHER	GB/T 97.1_内径6;镀白锌Q08	3	件/PIECES	C
13	380140089-0003	BOLT, FLANGE	GB/T 16674.1_M6_L=8;镀蓝白锌Q16	3	件/PIECES	C
14	160210015-T560	COVER COMP., FAN	T560_A款;16#黄色Y1C	1	件/PIECES	C





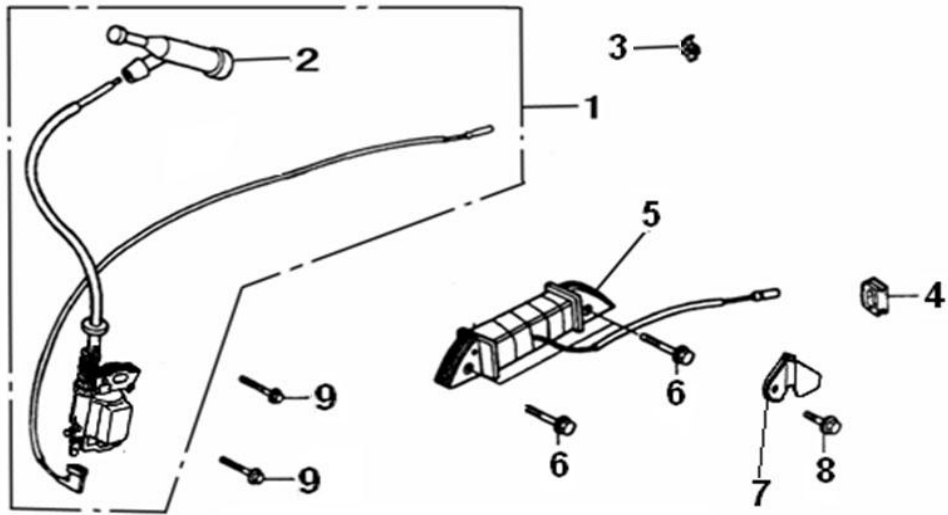


( CARBURETOR )

No.	Part No.	Description	Reqd. QTY	UNIT	CONSUMABLE GRADE
1	170020456-0001	CARBURETOR ASSY	1	套/SETS	B
2	170430050-0001	PACKING,CARBURETO	1	件/PIECES	A
3	170440041-0001	INSULATOR,CARBURE	1	件/PIECES	B
4	170430062-0001	PACKING,INSULATOR	1	件/PIECES	A
5	170160043-T570	NOUMENON,CARBURE	1	件/PIECES	C
6	380840456-0001	GASKET , OIL CUP	1	件/PIECES	A
7	170250023-0001	OIL CUP	1	件/PIECES	C
8	170420002-0001	VALVE	1	件/PIECES	A
9	380200006-0001	SCREW, PAN	2	件/PIECES	C
10	380460005-0007	WASHER, SPRING	2	件/PIECES	C
11	172930001-T560	DRAIN PLU,OIL CUP	1	件/PIECES	C
12	380450577-0001	GASKET , OIL CUP	1	件/PIECES	A
13	38084	GASKET , OIL CUP	1	件/PIECES	A
14	380140354-0001	BOLT, FLANGE	1	件/PIECES	C



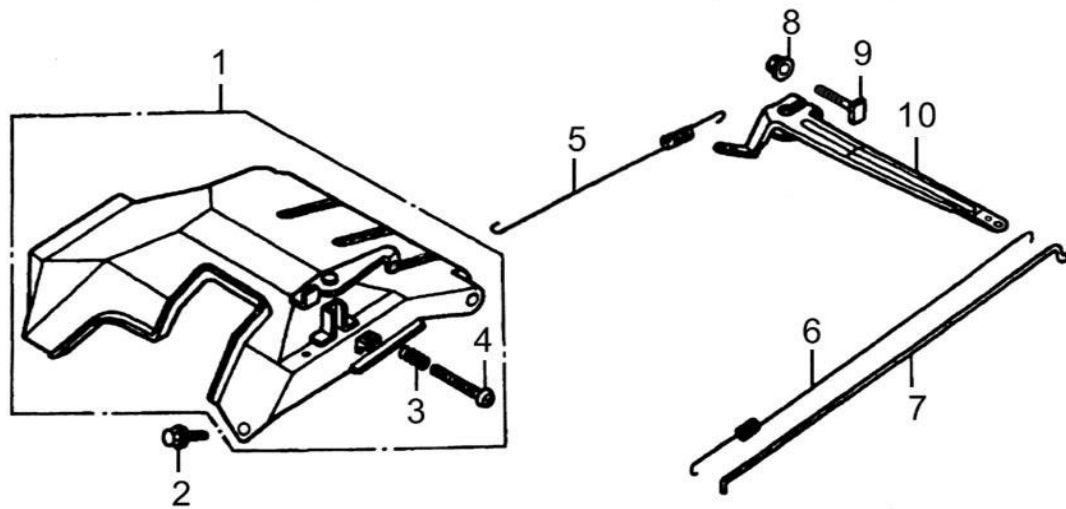




( IGNITION COMP. )

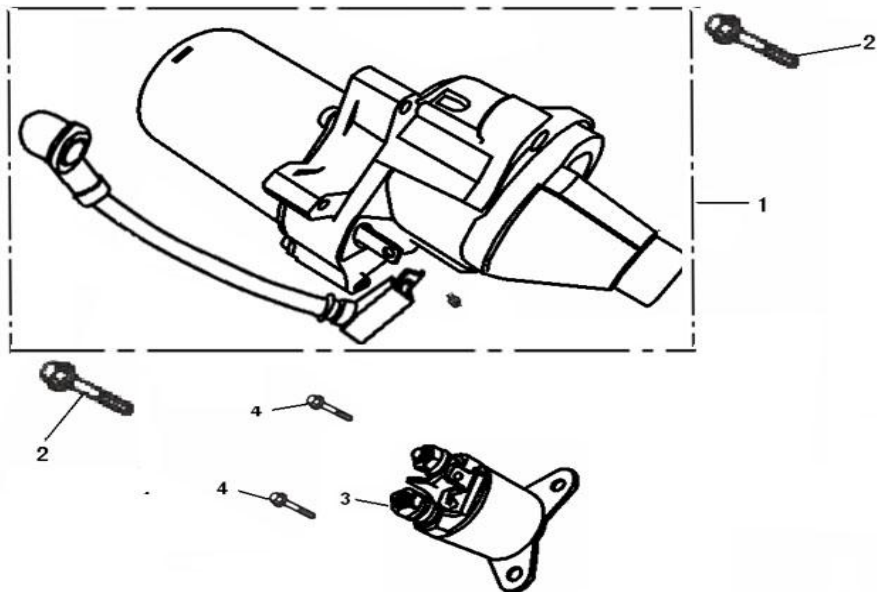
No.	Part No.	Description	规格状态	Reqd. QTY	UNIT	CONSUMABLE GRADE
1	270920170-0001	COIL ASSY . , IGNITION	T110	1	套/SETS	A
2	270950040-0001	CAP ASSY.,NOISE	T040	1	件/PIECES	A
3	380930027-0001	GROMMET,CORD	T560_燕尾卡	1	件/PIECES	B
4	380930023-0001	GROMMET,CORD	T110_卡线胶块;	1	件/PIECES	B
5	270190002-0001	COIL ASSY.,CHARGE	T111_50HZ_单组;	1	件/PIECES	A
6	380140024-0006	BOLT,FLANGE	GB/T 5789_M6_L=28;镀蓝白锌Q16	2	件/PIECES	C
7	270280008-0001	PLATE,GUIDE	T111;镀蓝白锌Q16	1	件/PIECES	C
8	380140001-0006	BOLT,FLANGE	GB/T 16674.1_M6_L=12;镀蓝白锌Q16	1	件/PIECES	C
9	380140102-0004	BOLT,FLANGE	GB/T 16674.1_M6_L=25;镀蓝白锌Q16	2	件/PIECES	C





( CONTROL SYSTEM )

No.	Part No.	Description	Reqd. QTY	UNIT	CONSUMABLE GRADE
1	171680005-0001	CONTROL ASSY.	1	套/SETS	B
2	380140001-0006	BOLT, FLANGE	2	件/PIECES	C
3	171660008-0001	SPRING,CONTROL ADJUSTING	1	件/PIECES	A
4	380200017-0005	SCREW	1	件/PIECES	C
5	171600016-0001	SPRING , CABLE RETURN	1	件/PIECES	A
6	171610001-0001	SPRING, THROTTLE RETURN	1	件/PIECES	A
7	171590005-0001	ROD, GOVERNOR	1	件/PIECES	B
8	380370048-0001	NUT ,FLANGE	1	件/PIECES	C
9	380250002-0001	BOLT,GOVERNOR ARM	1	件/PIECES	C
10	171620003-0001	ARM, GOVERNOR	1	件/PIECES	B

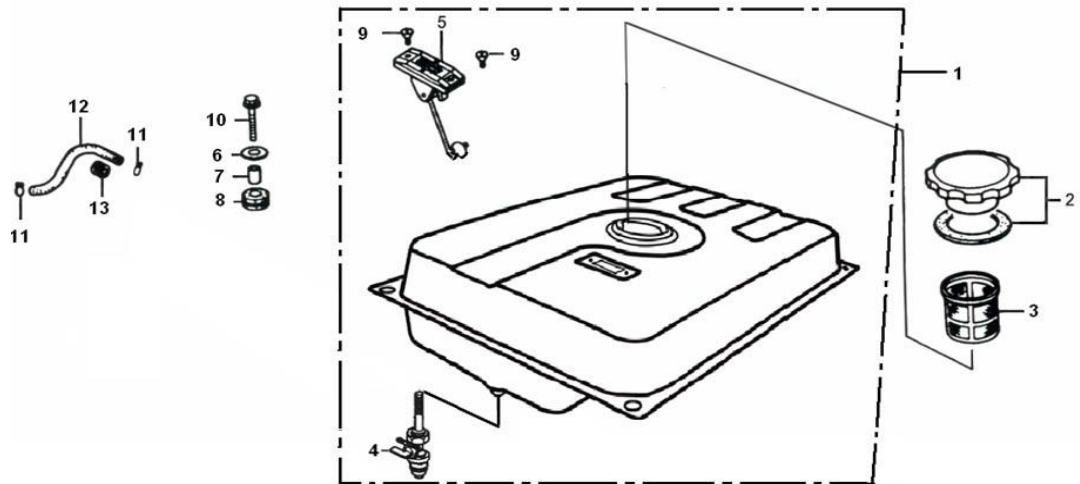


( Starter motor )

No.	Part No.	Description	规格状态	Reqd. QTY	UNIT	CONSUMABLE GRADE
1	270360019-0001	STARTER MOTOR	T111;镀彩锌Q09	1	件/PIECES	B
2	380140051-0005	BOLT,FLANGE,	GB/T 16674.1_M8_L=35;镀蓝白锌Q16	2	件/PIECES	C
3	270810095-0001	CONTACTOR ASSY	T111	1	件/PIECES	B
4	380140053-0002	BOLT,FLANGE	GB/T 16674.1_M5_L=16;镀蓝白锌Q16	2	件/PIECES	C

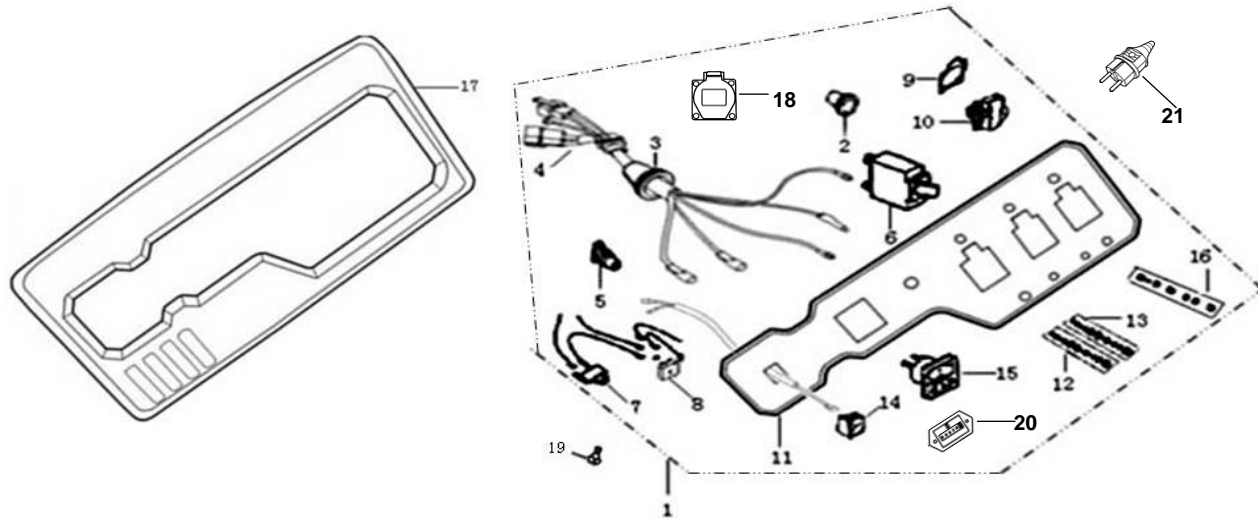






( FUEL TANK )

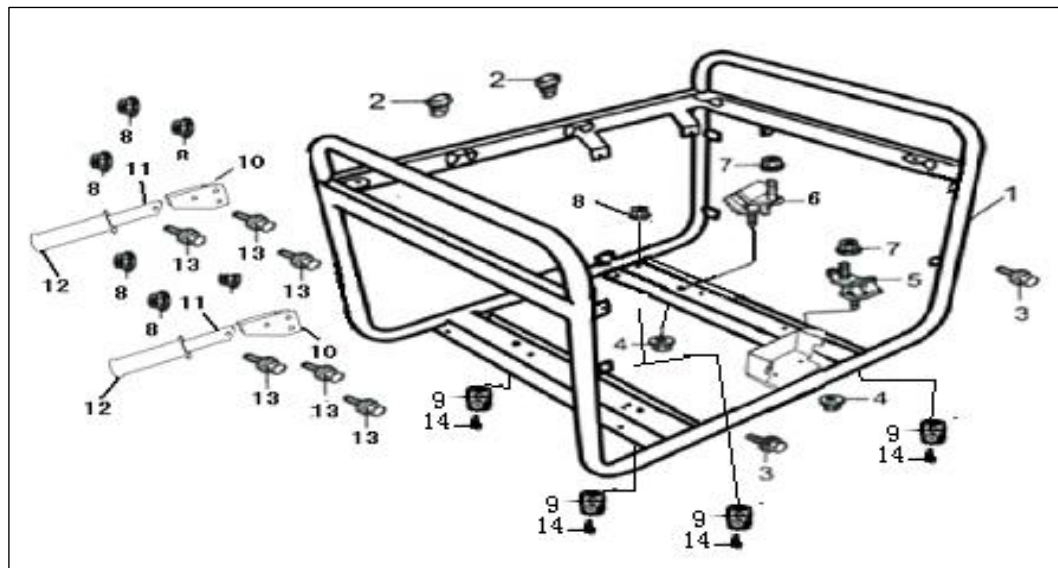
No.	Part No.	Description	Reqd. QTY	UNIT	CONSUMABLE GRADE
1	170490111-T56B	TANK COMP.,FUEL	1	套/SETS	B
2	170870044-0002	CAP COMP.,FUEL FILLER	1	件/PIECES	B
3	170720005-0001	FILTER,FUEL	1	件/PIECES	A
4	170980057-0001	COCK ASSY.,FUEL	1	件/PIECES	B
5	170740008-0001	JOINT ASSY.,FUEL TANK	1	件/PIECES	A
6	380450444-0002	FLAT WASHER	4	件/PIECES	C
7	170710014-0001	SPRING,COCK LEVER	4	件/PIECES	C
8	170700050-0001	RUBBER TANK CUSHION	4	件/PIECES	B
9	380220044-0002	CHAMFER HEAD SCREW	2	件/PIECES	C
10	380140103-0004	BOLT,FLANGE	4	件/PIECES	C
11	380950188-0001	PIPE CLIP	2	件/PIECES	B
12	380750245-0001	TUBE,FUEL	1	件/PIECES	A
13	380770188-0001	PROTECTIVE SLEEVE	1	件/PIECES	B



( Control panel )

No.	Part No.	Description	Reqd. QTY	UNIT	CONSUMABLE GRADE	
1	271851090-0001	CONTROL PANEL,ASSY	T57C_2个_欧式,蓝色,16A,250V,带电门,CE认证_1个_	1	套/SETS	B
2	380930034-0001	GROMMET,MAIN CORD	T520_橡胶线夹_面板主线束	1	件/PIECES	B
3	380930031-0001	GROMMET, MAIN CORD	T560_面板主线束	1	件/PIECES	B
4	272040043-T57C	HARNESS ASSY.,WIRE		1	件/PIECES	B
5	380930032-0001	GROMMET, A.C. CORD	T560_交流输出线卡	1	件/PIECES	B
6	271290113-T57C	PROTECTOR, CIRCUIT	30型27A断路保护器	1	件/PIECES	A
7	271290033-0001	PROTECTOR, CIRCUIT	T520_10A_手动过流保护器;	1	件/PIECES	A
8	271920001-0001	RECTIFIER BRIDGE	T566_KBPC2510;	1	件/PIECES	B
9	271900001-0001	SOCKET-WASHER	T520;	2	件/PIECES	B
10	271890001-0001	SOCKET	T560_欧式,蓝色,16A,250V,带电门,CE认证;	2	件/PIECES	B
11	271860027-T57C	CONTROL PANEL		1	件/PIECES	B
12	272080001-0001	POST , CATHODE	T523;	1	件/PIECES	C
13	272090001-0001	POST , ARODE	T523;	1	件/PIECES	C
14	271810006-0001	SWITCH ASSY.,ENGINE	T560;	1	件/PIECES	A

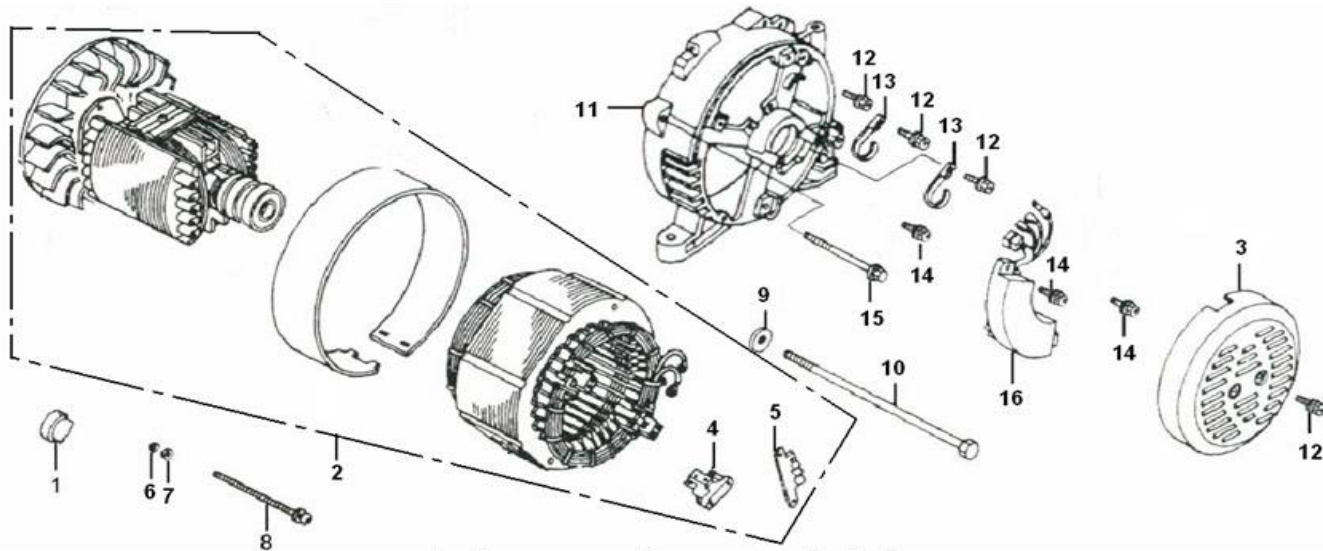




(FRAME)

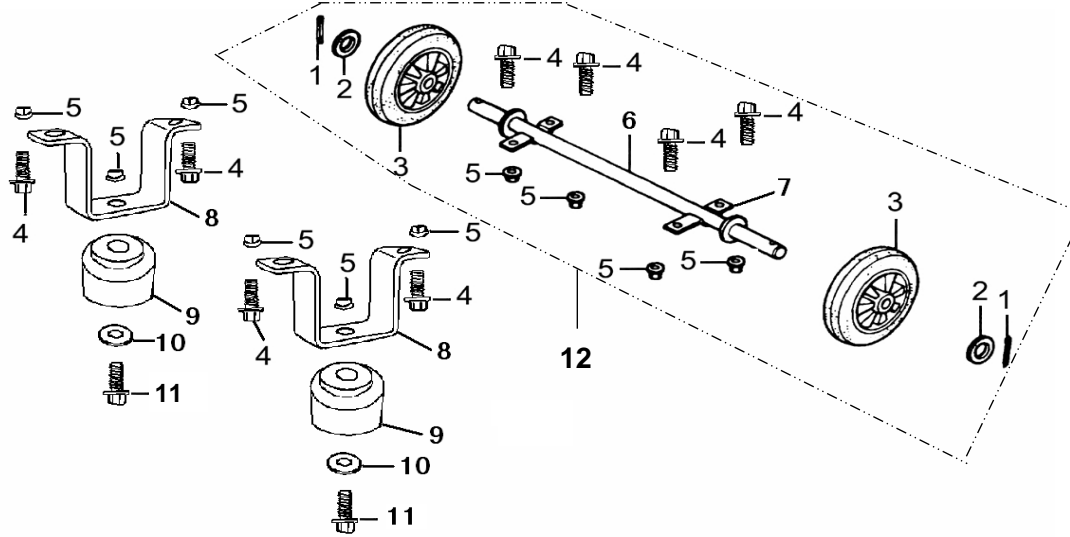
No.	Part No.	Description		Reqd. QTY	UNIT	CONSUMABLE GRADE
1	300720196-0001	FRAME COMP	T57C_带手把孔_带电池盒_加焊接横杆;电泳黑漆	1	件/PIECES	C
2	170700051-0001	RUBBER TANK CUSHION	T560_黑色橡胶	2	件/PIECES	B
3	380140215-0003	BOLT,FLANGE	GB/T 16674.1_M6_L=14;镀蓝白锌Q16	4	件/PIECES	C
4	380370007-0004	NUT,FLANGE	GB/T 6177.1_M8;镀蓝白锌Q16	4	件/PIECES	C
5	300780002-0001	RUBBER	T560	2	件/PIECES	A
6	300790002-0001	RUBBER,RIGHT BOTTOM	T560	2	件/PIECES	A
7	380370077-0001	NUT,FLANGE	T040_M10×1.25_S=14;镀蓝白锌Q16	4	件/PIECES	C
8	380370048-0001	NUT,FLANGE	GB/T 6177.1_M6;镀蓝白锌Q16	4	件/PIECES	C
9	300770005-0001	RUBBER,SHOCK	T810	4	件/PIECES	A
10	320420009-0001	SETTING,HANDLE	T56F_配长450的扶手管;纯黑H01	2	件/PIECES	C
11	320400003-0001	PIPE,HANDLE	T56B_HW状态_长450;	2	件/PIECES	C
12	320180155-0001	RUBBER JACKET	T560;	2	件/PIECES	B





(ROTOR.STATOR)

No.	Part No.	Description		Reqd. QTY	UNIT	CONSUMABLE GRADE
1	660030002-0001	GROMMET, CRANKCASE	T560;纯黑H01	1	件/PIECES	C
2	660080260-0001	ALTERNATOR PARTS	T570_A型_50HZ_230V_带DC_新参数;	1	套/SETS	B
3	660020002-0031	COVER , GENERATOR EN	T560;16#黄色Y1C	1	件/PIECES	C
4	660120001-0001	BRUSH ASSY.	T560;	1	件/PIECES	A
5	660140001-0001	TERMINAL, VOLT CHANGE	T560_双压;	1	件/PIECES	C
8	380140496-0001	BOLT, FLANGE	T570_M5_L=220_电机后支撑固定螺栓;氧化Q07	2	件/PIECES	C
9	380450515-0001	WASHER	T560_T21_内径10_外径30_厚度4;镀白锌Q08	1	件/PIECES	C
10	380070185-0001	BOLT, HEX.	T570_M10_L=275;镀蓝白锌Q16	1	件/PIECES	C
11	660010002-0001	HOUSING, RR	T560;	1	件/PIECES	C
12	380140167-0002	BOLT, FLANGE	GB/T 16674.1_M5_L=12;镀蓝白锌Q16	7	件/PIECES	C
13	380900061-0001	TIE, CABLE	T560_L=195_固定电缆用;白色	2	件/PIECES	A
14	380140053-0002	BOLT, FLANGE	GB/T 16674.1_M5_L=16;镀蓝白锌Q16	3	件/PIECES	C
15	380140349-0001	BOLT, FLANGE	T570_M6_L=185_电机定子螺栓;镀蓝白锌Q16	4	件/PIECES	C
16	660150106-0001	REGULATOR ASSY.,AUTO	T570_220V_5.5kW-8.0kW;	1	件/PIECES	B



( Wheel Kit Assy. )

No.	Part No.	Description	Reqd. QTY	UNIT	CONSUMABLE GRADE
4	380140040-0005	BOLT, FLANGE GB/T 16674.1_M8_L=16;镀蓝白锌Q16	8	件/PIECES	C
5	380370007-0004	NUT, FLANGE GB/T 6177.1_M8;镀蓝白锌Q16	10	件/PIECES	C
8	300800001-0001	SETTING,RUBBER T56B_8寸;	2	件/PIECES	C
9	300770004-0001	RUBBER,SHOCK ABSORBER T580;	2	件/PIECES	B
10	380450524-0001	WASHER T520_T21_内径8.5_外径23_厚度3;镀白锌Q08	2	件/PIECES	C
11	380140091-0005	BOLT, FLANGE GB/T 16674.1_M8_L=25;镀蓝白锌Q16	2	件/PIECES	C
12	660680006-0001	WHEEL KIT T56B_8寸;	1	套/SETS	B



