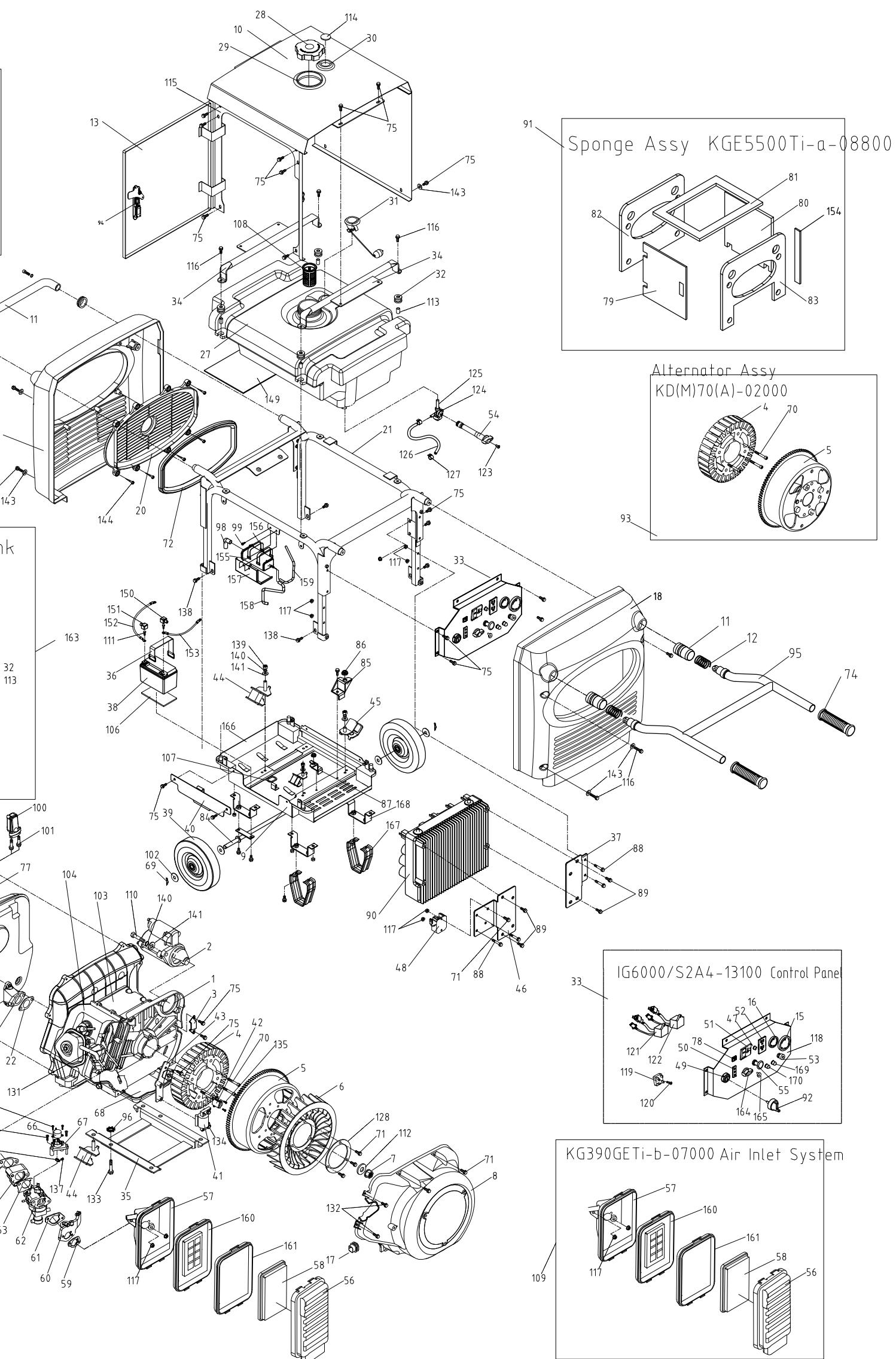
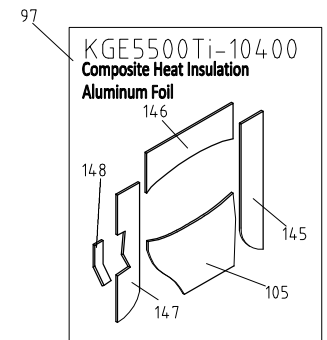
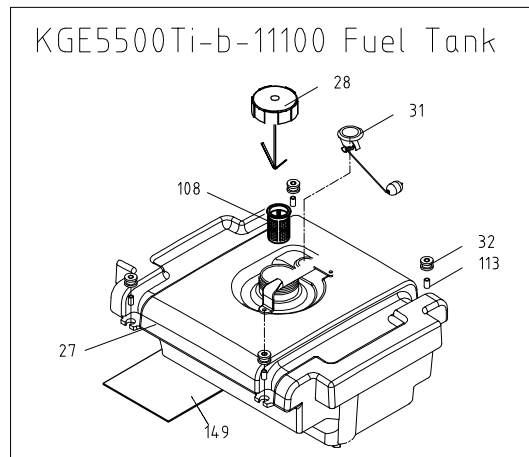
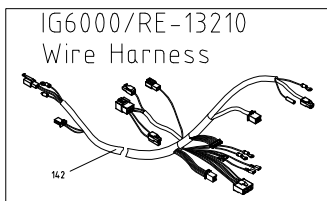
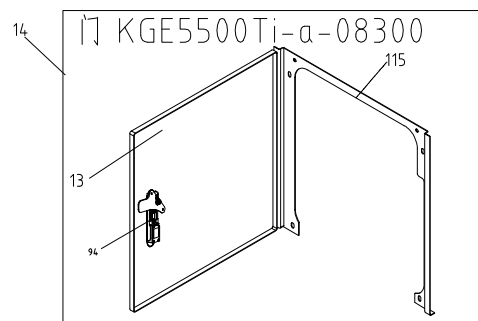


IG6000 (CARB)



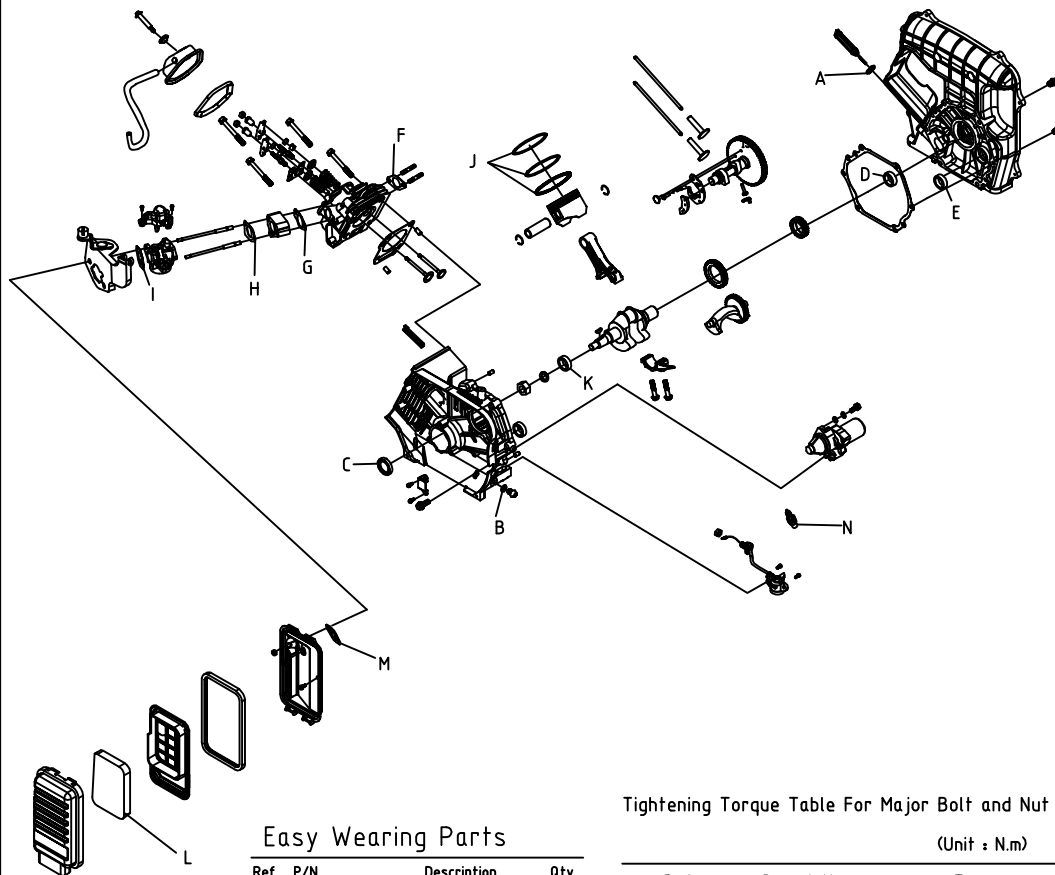
Ref	P/N	Description	Qty	Ref	P/N	Description	Qty	Ref	P/N	Description	Qty	Ref	P/N	Description	Qty	Ref	P/N	Description	Qty
1	KG390GETi-00000	Engine Assembly	1	31	KGE3300Ti-11300	Fuel Indicator	1	61	KG240GX-02023	Carburetor Gasket B	1	91	KGE5500Ti-a-08800	Sponge Assembly	1	121	KG7000Ti-13502	Shutdown Electric Circuit	1
2	KG340E-15000	Starting Motor	1	32	KGE3300Ti-11003	Fuel Tank Spring Washer	4	62	P27A1-b-000	Carburetor	1	92	JK425-1	Electrical Starter Key	1	122	KG7000Ti-13602	Ignition Control Module	1
3	KG390GETi-01022	Press Line Plate	1	33	IG6000/S2A4-13100	Control Panel	1	63	KG340-02021	Carburetor Gasket A	1	93	KD(M)70(A)-02000	Alternator Assembly	1	123	KG3300Ti-11016	Screw	1
4	KD(M)70(A)-02100	Stator Assembly	1	34	KGE5500Ti-08900	Supporting Pipe Weldment	2	64	KG390GETi-02017b	Carburetor Insulation Block	1	94	KG3300Ti-a-08300	Automatic Door Lock	1	124	KG3300Ti-11400	Fuel Switch	1
5	KD(M)70(A)-02200	Rotor Assembly	1	35	KGE5500Ti-01010	Engine Support Weldment	1	65	KG340-02014	Inlet Pipe Gasket	1	95	KG7000Ti-06002	Armrest Frame	1	125	KG3300Ti-11410	Fuel Switch Long Filter Net	1
6	KM186FGi-05105	Wind Impeller	1	36	KGE3500Xc-17100	Battery Fixture Belt	1	66	24BYJ24D	Stepper Motor	1	96	GB/T8622-1987	Outer Teeth Lock Washer	4	126	KG5500Ti-b-11007	Fuel Supply Pipe	1
7	KG186F-05002	Flywheel Nut	1	37	KGE5500Ti-08724	Module Fixture Plate 1	1	67	KG200GTi-10210	Alternator Support	1	97	KGE5500Ti-10400	Composite Heat Insulation Aluminum Foil	1	127	QC/T620-1999	A Type Circumferential 8-12	2
8	KG5500Ti-04001	Motor Wind Scooper	1	38	LTZ14-4	Battery (12V-11Ah)	1	68	KG5500Ti-01030	Cylinder Bottom Cover	1	98	KG5500Ti-b-11011	Air curve pipe	2	128	KD(M)70(A)-02203	Wind Impeller Pressing Plate	1
9	KG5500Ti-a-03000	Chassis	1	39	10*	Rubber Wheel	2	69	QC/T623-1999	Lock Pin 12	2	99	GB/T5789-1986	Bolt M6x12	2	129	GB/T818-2000	Screw M3X8	2
10	KG5500Ti-08100a	Cabinet Side Covering Plate Assy	1	40	KG5500Ti-03400	Battery Baffle Plate	1	70	GB/T70-1985	Inner Hexagon Bolt M6X60	3	100	KG105-b-08300	Secondary Air Injection Assembly	1	130	GB/T818-2000	Screw M4X10	2
11	KG5500Ti-06004	Slide Sleeve	2	41	KG3300Ti-13300	Ignition Coil	1	71	GB/T5789-1986	Bolt M6X16	14	101	GB/T5789-1986	Bolt M6x12	2	131	KG390GETi-03002	Ventilation Pipe	1
12	KG7000Thi-06004	Handle Spring	2	42	KG3300Ti-13601	Trigger	1	72	KG5500Ti-08602	Exhaust Barrier Window Seal	1	102	GB/T96.1-2002	Big Washer 15	4	132	GB/T5789-1986	Bolt M5X16	2
13	KG5500Ti-a-08310	Cabinet Door Weldment	1	43	KG5500Ti-13320a	Ignition Coil Support Weldment	1	73	KG5500Ti-10400	Flue Isolation	1	103	KG5500Ti-01020	Air Deflector	1	133	GB/T5789-1986	BoltM8X40	2
14	KG5500Ti-a-08300	Door	1	44	KG5500Ti-12100	Left Shock Absorbing Block	2	74	KG7000Thi-06007	Handle Rubber Sleeve	2	104	KG5500Ti-01001a	Cylinder Head Wind Guiding Plate	1	134	GB/T5789-1986	Bolt M6X18	2
15	L14-30	Receptacle	1	45	KG5500Ti-12200	Right Shock Absorbing Block	2	75	GB/T5789-1986	BoltM5X12	22	105	KG5500Ti-10401	Composite Heat Insulation Aluminum Foil (1)	1	135	GB/T818-2000	Screw M4X8	2
16	L5-30	Duplex Receptacle	1	46	KG5500Ti-08723	Module Fixture Plate 2	1	76	GB/T5789-1986	BoltM8X75	2	106	KG5500Ti-10401	Battery Tie Plate	1	136	P15-028	Fork	1
17	KG3300Ti-13002	Bus Seal Ring	1	47	EB2011-BA	Overload Restart Switch	1	77	KG5500Ti-10305	Bolt M8x80	4	107	KG3300Ti-03003	Oil Drain Plug	1	137	P15-029	Fork Spring	1
18	KG5500Ti-08401	Front Cover	1	48	KI-CDQ-10AH	Charging Regulator	1	78	RF-1003-BB2	Smart Throttle	1	108	KG3300Ti-b-11008	Fuel Supply Filter Net	1	138	GB/T5789-1986	Bolt M8X16	6
19	KG5500Ti-08501	Rear Cover	1	49	JK425-2	Electrical Starter	1	79	KG5500Ti-a-08802	Inner Spring For Cabinet Door Plate	1	109	KG390GETi-b-07000	Intake System	1	139	GB/T6170-2000	Nut M10	4
20	KG5500Ti-08601	Exhaust Barrier Window	1	50	KI-DHQ-30	3 In 1 Ignitor	1	80	KG5500Ti-08801a	Inner Spring For Cabinet Door Cover Plate	1	110	GB/T5789-1986	Bolt M10X30	2	140	GB/T93-1987	Spring Washer	10
21	KG5500Ti-b-08700	Framework Weldment	1	51	WZ-22-a	AC Receptacle (DC12V 5A)	1	81	KG5500Ti-08803a	Inner Spring For Cabinet Door Cover Plate	1	111	GB/T5780-1986	Bolt M6X10	2	141	GB97.1-1985	Flat Pad 10	6
22	KG240-02015	Exhaust Pipe Gasket	1	52	125V 20A	AC Receptacle	1	82	KG5500Ti-08805a	Inner Spring For Rear Plate	1	112	KM186F-05003	Flywheel Nut Washer	1	142	IG6000/RE-13210	Connecting Harness	1
23	KG5500Ti-10301	Exhaust Pipe	1	53	3GF-LE-5004a	Terminal Nut	1	83	KG5500Ti-08804a	Inner Spring For Front Plate	1	113	KG3300Ti-11004	Fuel Tank Spring Washer	4	143	GB/T96.1-2002	Large Back Up Ring 6	10
24	KG5500Ti-b-10100	Muffler	1	54	KG3300Ti-11005	Fuel Tank Adjusting Pipe	1	84	KG7000Thi-18100	Wheel Axle	1	114	KG3300Ti-08107	Flood Sight Glass	1	144	GB/T845-1985	Self Tapping Screw ST-4.8X18	8
25	KG5500Ti-10302	Gasket A	1	55	KG7000Ti-14000	Air Door DragLine	1	85	KG5500Ti-03300	Shock Absorbing Pad	2	115	KG5500Ti-a-08320	Cabinet Door Framework Weldment	1	145	KG5500Ti-10402	Composite Heat Insulation Aluminum Foil (2)	1
26	KG5500Ti-10200	Muffler Cover	1	56	KG390GETi-07002	Air Filter Cover	1	86	KDE5000X-30003	Shock Absorbing Pad	2	116	GB/T5789-1986	BoltM6X25	12	146	KG5500Ti-10403	Composite Heat Insulation Aluminum Foil (3)	1
27	KG5500Ti-b-11001	Fuel Tank	1	57	KG390GETi-b-07001	Air Filter Bottom Shell	1	87	KG5500Ti-03200	Shock Absorbing Pad Pressing Plate	1	117	GB/T6177.1-2000	Flange Nut M6	10	147	KG5500Ti-10404	Composite Heat Insulation Aluminum Foil (4)	1
28	KG5500Ti-b-11010	Fuel Tank Cover	1	58	KG240GX-07002	Filter Element	1	88	GB/T5789-1986	BoltM6X30	4	118	IG6000/S2A4-13110	Control Panel	1	148	KG5500Ti-10405	Composite Heat Insulation Aluminum Foil (5)	1
29	KG3300Ti-08108A	Fuel Tank Entrance Sheath	1	59	KG240-07004	Carburetor Back Up Ring	1	89	GB/T5789-1986	BoltM8X16	8	119	KBPC25A 1000V	Rectifier	1	149	KG5500Ti-11009	Fuel Tank Composite Agent	1
30	KG3300Ti-08106	Window Fixture	1	60	KG390GETi-11000	Speed Control System	1	90	DU50-120/240V	Inverter	1	120	GB/T818-2000	Screw M5X20	1	150	KG7000Ti-13306	Battery Negative Connecting Wire Sheet (Red)	1

Ref No	Part Number	ID Number	Description	Qty
1	KG390GETi-00000	62185	Engine Assembly	1
2	KG340E-15000	62186	Starting Motor	1
3	KG390GETi-01022	62187	Press Line Plate	1
4	KD (M) 70 (A)-02100	62188	Stator Assembly	1
5	KD (M) 70 (A)-02200	11866	Rotor Assembly	1
6	KM185FGi-05105	62190	Wind Impeller	1
7	KG186F-05002	62191	Flywheel Nut	1
8	KG5500Ti-04001	62192	Motor Wind Scooper	1
9	KGE5500Ti-a-03000	62193	Chassis	1
10	KGE5500Ti-08100a	62194	Cabinet Side Covering Plate	1
11	KGE7000Thi-06004	62195	Slide Sleeve	2
12	KGE7000Thi-06006	62196	Handle Spring	2
13	KGE5500Ti-a-08310	62197	Cabinet Door	1
14	KGE5500Ti-a-08300	62198	Cabinet Door Assembly	1
15	L14-30	62199	Receptacle	1
16	L5-30	62083	Duplex Receptacle	1
17	KGE3300Ti-13002	62379	Bus Seal Ring	1
18	KGE5500Ti-08401	62200	Front Cover	1
19	KGE5500Ti-08501	62201	Rear Cover	1
20	KGE5500Ti-08601	62202	Exhaust Barrier Window	1
21	KGE5500Ti-08700b	62203	Framework	1
22	KG240-02015	62204	Exhaust Pipe Gasket	1
23	KGE5500Ti-10301	62205	Exhaust Pipe	1
24	KGE5500Ti-b-10100	62206	Muffler	1
25	KGE5500Ti-10302	62207	Gasket A	1
26	KGE5500Ti-10200	62208	Muffler Cover Assembly	1
27	KGE5500Ti-b-11001	65988	Fuel Tank (CARB)	1
28	KGE3300Ti-b-11010	69007	Fuel Cap (CARB)	1
29	KGE3300Ti-08108a	62505	Fuel Tank Entrance Sheath	1
30	KGE3300Ti-08106	66438	Sight Glass Mount	1
31	KGE3300Ti-11300	61960	Fuel Gauge	1
32	KGE3300Ti-11003	62373	Fuel Tank Cushion	4
33	IG6000/S2A4-13100	62210	Control Panel	1
34	KGE5500Ti-08900	62211	Supporting Pipe	2
35	KGE5500Ti-01010	62212	Engine Support	1
36	KGE3500Xc-17100	62507	Battery Fixture Belt	1
37	KGE5500Ti-08724	62213	Module Fixture Plate 2	1
38	LTZ14-4	62214	Battery 12 V 11 AH	1
39	10"	62215	Rubber Wheel	2
40	KGE5500Ti-03400	62216	Battery Baffle Plate	1
41	KGE3300Ti-13300	66446	Ignition Coil	1
42	KGE3300Ti-13601	62217	Trigger	1
43	KGE5500Ti-13320a	62218	Ignition Coil Support	1
44	KGE5500Ti-12100	62219	Left Shock Absorbing Block	2
45	KGE5500Ti-12200	62220	Right Shock Absorbing Block	2
46	KGE5500Ti-08723	62221	Module Fixture Plate 1	1

47	EB2011-BA	62222	Overload Reset Switch	1
48	KI-CDQ-10AH	62223	Charging Regulator	1
49	JK425-2	62224	Electrical Starter Switch	1
50	KI-DHQ-30	68153	3-in-1 Ignitor	1
51	WZ-Z2-a	67569	DC Receptacle	1
52	125 V 20 A	62419	AC Receptacle GFCI	1
53	3GF-LE-5004a	62310	Ground Nut M6	1
54	KGE3300Ti-11005	66443	Fuel Switch	1
55	KGE7000Ti-14000	62225	Choke Cable	1
56	KG390GETi-07002	62502	Air Filter Cover	1
57	KG390GETi-b-07001	62226	Air Filter Bottom Shelf	1
58	KG240GX-07004	62227	Filter Element	1
59	KG240-07004	62493	Carburetor Back Up Ring	1
60	KG390GETi-11000	62504	Choke Assembly	1
61	KG240GX-02023	62495	Carburetor Gasket B	1
62	P27A1-b-000	69100	Carburetor (CARB)	1
63	KG340-02021	62499	Carburetor Gasket A	1
64	KG390GETi-02071b	62229	Carburetor Insulation Block	1
65	KG340-02014	62498	Inlet Pipe Gasket	1
66	24BYJ24D	62420	Stepping Motor	1
67	KG200GTi-10210	62490	Alternator Support	1
68	KGE5500Ti-01030	62230	Cylinder Bottom Cover	1
69	QC/T623-1999	62396	Lock Pin 12	2
70	GB/T70-1985		Inner Hex Bolt M6 x 60	3
71	GB/T5789-1986		Hex Bolt M6 x 16	14
72	KGE5500Ti-08602	62232	Exhaust Barrier Window Seal	1
73	KGE3300Ti-10400	66242	Spark Arrestor	1
74	KGE7000Thi-06007	62233	Handle Rubber Sleeve	2
75	GB/T5789-1986		Hex Bolt M5 x 12	22
76	KGE5500Ti-10304	62234	Bolt M8 x 75	2
77	KGE5500Ti-10305	62235	Bolt M8 x 80	4
78	RF-1003-BB2	66498	Smart Throttle Switch	1
79	KGE5500Ti-a-08802	62236	Inner Sponge Cabinet Door	1
80	KGE5500Ti-08801a	62237	Inner Sponge Cabinet Left Plate	1
81	KGE5500Ti-08803a	62238	Inner Sponge for Cabinet Upper Cover	1
82	KGE5500Ti-08805a	62239	Inner Sponge Rear Plate	1
83	KGE5500Ti-08804a	62240	Inner Sponge Front Plate	1
84	KGE7000Thi-18100	62241	Wheel Axle	1
85	KGE5500Ti-03300	62242	Shock Absorbing Pad Pressing Plate 2	1
86	KDE5000X-30003	62339	Fuel Tank Shock Pad	2
87	KGE5500Ti-03200	62244	Shock Absorbing Pad Pressing Plate 1	1
88	GB/T5789-1986		Bolt M6 x 30	4
89	GB/T5789-1986		Bolt M8 x 16	8
90	DU50-CR	11853	Inverter	1
91	KGE5500Ti-a-08800	62248	Sponge Assembly	1
92	JK425-1	62249	Electrical Starter Key	1
93	KD (M) 70 (A)-02000	65960	Alternator Assembly	1

94	KGE3300Ti-a-08300	67531	Door Lock Assembly	1
95	KGE7000Thi-06002	65959	Handle Frame	1
96	GB/T862.2-1987		Outer Tooth Lock Washer 8	1
97	KGE5500Ti-10400	65957	Composite Heat Insulation Foil	1
98	GB/T818-2000		Pan Head Screw M5 X 25	2
99	GB/T6177.1-2000		Nut M5	2
100	KGE7000Ti-13301	65956	AC Capacitance Support	1
101	CBB61 10uF/250V	67037	Capacitor	1
102	GB/T96.1-2002		Big Washer 15	4
103	KGE5500Ti-01020	65954	Air Deflector	1
104	KGE5500Ti-01001a	65953	Cylinder Head Wind Guiding Plate	1
105	KGE5500Ti-10401	65952	Composition Heat Insulation Foil 1	1
106	KGE5500Ti-17006	65951	Battery Tie Plate	1
107	KGE3300Ti-03003	65355	Oil Drain Plug	1
108	KGE3300Ti-11008	62375	Fuel Strainer	1
109	KG390GETi-07000	65921	Intake System	1
110	GB/T5783-1986		Bolt M10 x 30	2
111	GB/T5780-1986		Bolt M6 x 10	2
112	KM186F-05003	68981	Flywheel Nut Washer	1
113	KGE3300Ti-11004	62374	Fuel Tank Spring Washer	4
114	KGE3300Ti-08107	66439	Float Sight Glass	1
115	KG5500Ti-a-08320	65925	Cabinet Door Framework	1
116	GB/T5789-1986		Bolt M6 x 25	12
117	GB/T6177.1-2000		Hex Nut M6	10
118	IG6000/S2A4-13110	62210	Control Panel	1
119	KBPC2510	66517	Rectifier	1
120	GB/T818-2000		Pan Head Screw M5 x 20	1
121	KGE7000Ti-13502	65930	Shutdown electric Circuit	1
122	KGE7000Ti-13602	65961	Ignition Control Module	1
123	KGE3300Ti-11016	62377	Screw M5 x 20	1
124	KGE3300Ti-11400	66445	Fuel Switch Pipe	1
125	KGE3300Ti-11410	62378	Filter Net	1
126	KGE5500Ti-b-11007	65962	Fuel Supply Pipe	1
127	QC/T620-1999	62395	A Hold Hoop 8 - 12	2
128	KD (M) 70 (A)-02203	65963	Wind Impeller Pressing Plate	1
129	GB/T818-2000		Screw M3 x 8	2
130	GB/T818-2000		Screw M4 x 10	2
131	KGE390GETi-03002	65964	Ventilation Pipe	1
132	GB/T5789-1986		Bolt M5 x 16	2
133	GB/T5789-1986		Bolt M8 x 40	2
134	GB/T5789-1986		Bolt M6 x 18	2
135	GB/T818-2000		Screw M4 x 8	2
136	P15-028	62511	Fork	1
137	P15-029	62512	Smart Throttle Spring	1
138	GB/T5789-1986		Bolt M8 x 16	6
139	GB/T6170-2000		Nut M10	4
140	GB/T93-1987		Spring Washer 10	6

KG390GETi(EPA)(CARB)



Easy Wearing Parts

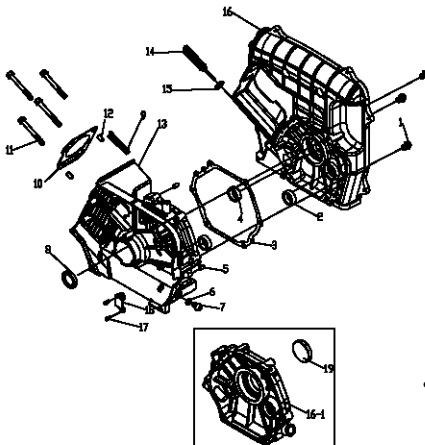
Ref	P/N	Description	Qty
A	KG160-01016	Oil Level Gauge Gasket	1
B	KM168F-10008	Oil Drain Plug Gasket	1
C	KG340-01017	Oil Seal	1
D	GB/T276-1994	Rolling Bearing 6207	1
E	GB/T276-1994	Rolling Bearing 6202	2
F	KG240-02015	Exhaust Pipe Gasket	1
G	KG340-02014	Intake Pipe Gasket	1
H	KG340-02021	Carburetor Gasket A	1
I	KG240GX-02023	Carburetor Gasket B	1
J	KG390-04100T	Piston Ring	1
K	GB/T276-1994	Rolling Bearing 6207	1
L	KG240GX-07002	Filter Element	1
M	KG240-07004	Carburetor Back Up Ring	4
N	QC/T430-1999	Spark Plug WR70C	1

Tightening Torque Table For Major Bolt and Nut

(Unit : N.m)

Ref	Description	Torque
①	Connecting Rod Bolt	20-22
②	Flywheel Nut	130-150
③	Crankcase Cover Bolt	20-23
④	Cylinder Head Bolt	42-46
⑤	Rocker Shaft Bolt	20-23

Ref No.	Part Number	ID Number	Description	Qty	
A	KG160-01016	75424	Oil Dipstick Gasket	1	KG390GETi
B	KM168F-10008	76272	Oil Drain Plug Gasket	1	KG390GETi
C	KG340-01017	67038	Oil Seal	1	KG390GETi
D	GB/T276-1994	67040	Bearing 6207	2	KG390GETi
E	GB/T276-1994	76328	Bearing 6202	2	KG390GETi
F	KG240-02015	62204	Exhaust Pipe Gasket	1	KG390GETi
G	KG340-02014	62498	Inlet Pipe Gasket	1	KG390GETi
H	KG340-02021	62499	Carburetor Gasket A	1	KG390GETi
I	KG240GX-02023	62495	Carburetor Gasket B	1	KG390GETi
J	KG390-04100T	64042	Piston Ring Set	1	KG390GETi
K	GB/T276-1994	67040	Bearing 6207	1	KG390GETi
L	KG240GX-07002	62496	Filter Element Support	1	KG390GETi
M	KG240-07004	62493	Carburetor Back Up Ring	1	KG390GETi
N	Bosch WR7DC	76060	Spark Plug WR7DC	1	KG390GETi

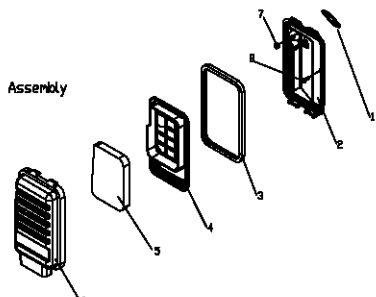


K3906ET-1000 Engine Block Assembly

Ref	P/N	Description	Qty
1	GM/15789-1000	Bolt M10x30	7
2	GM/1276-1994	Rolling Bearing 6202	2
3	K3240-0000	Crankcase Cover Gasket	1
4	GM/1276-1994	Rolling Bearing 6207	1
5	K3240-0001	Crankcase Cover Location Pin	2
6	K0648F-3000B	Oil Drain Plug Gasket	2
7	K3240-0007	Oil Drain Plug	2
8	K3240-0007	Oil Seal	2
9	K3906ET-0002	Seal Gasket	1
10	K3240-0004	Cylinder Head Gasket	1
11	K3240-0003	Cylinder Head Bolt M14	1
12	K3240-0002	Cylinder Head Location Pin	1
13	K3906ET-0000	Engine Block	1
14	K3906ET-0005	Oil Level Gauge	1
15	K3240-0006	Oil Level Gauge Gasket	1
16	K3906ET-0006	Crankcase Cover	1
17	GM/15789-1000	Bolt M10x2	2
18	K3906ET-0002	wire pressing plate	1

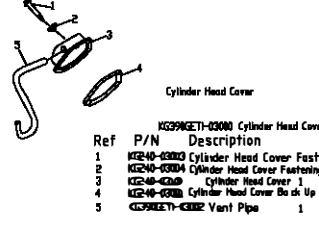
K3906ET-0000 Engine Block Assembly

Ref	P/N	Description	Qty
16-1	K3906ET-0005	Crankcase Cover	1
19	K3906ET-0003	Closed End Face Cover	1



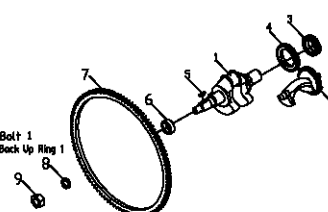
K3906ET-0700 Air Intake System

Ref	P/N	Description	Qty
1	K3240-0700A	Carburetor Back Up Ring	1
2	K3906ET-0700	Air Filter Shell	1
3	K3906ET-0700A	Seal Gasket	1
4	K3906ET-0700	Filter Element Flange Bracket	1
5	K3240-0700	Filter Element	1
6	K3906ET-0700	Air Filter Cover	1
7	GM/16177-1-000	Nut M6	2
8	GM/15789-1996	Bolt M6x12	1




K3906ET-0300 Cylinder Head Cover

Ref	P/N	Description	Qty
1	K3240-0300	Cylinder Head Cover Fastening Bolt	1
2	K3240-0300A	Cylinder Head Cover Fastening Bolt Back Up Ring	1
3	K3240-0300	Cylinder Head Cover	1
4	K3240-0300B	Cylinder Head Cover Back Up Ring	1
5	K3906ET-0302	Vent Pipe	1




K3906ET-0500 Crankshaft & Flywheel Assembly

Ref	P/N	Description	Qty
1	K3906ET-0500	Crankshaft	1
2	K3240-0500	Balance Shaft	1
3	K3240-0500	Crankshaft Timing Gear	1
4	K3240-0500	Balance Shaft Driving Gear	1
5	GM/1308-000	Key Set	1
6	GM/1276-1994	Rolling Bearing 6207	1
7	K3906ET-0500	Flywheel Tooth Ring	1
8	K3906ET-0500	Flywheel Nut	1
9	K3906ET-0500	Flywheel Nut Back Up Ring	1



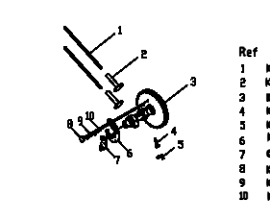
K3906ET-1000 Speed Control & Steering System

Ref	P/N	Description	Qty
1	K3906ET-1000	Speed Control & Steering System	1



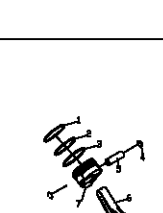
K3906ET-1400 Ignition System

Ref	P/N	Description	Qty
1	GM/1438-1999	Spark Plug WRTDC	1
2	GM/15789-000	Bolt M6x6	2
3	K3240-1400	Oil Alert	1
4	GM/16177-1-000	Nut M10	1



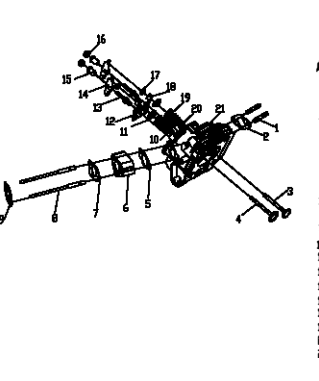
K3240-0500 Crankshaft Assembly

Ref	P/N	Description	Qty
1	K3240-0500E	Valve Push Rod	2
2	K3240-0500	Valve Tappet	2
3	K3240-0500	Crankshaft	1
4	K3240-0500B	Pin/Crankshaft Fork	1
5	K3240-0507	Gearshaft Fork	1
6	K3240-0500	Swing Arm	1
7	K3240-0500	Pressure Regulators Centrifugal Block	1
8	K3240-0500A	Swing Arm Pin	1
9	K3240-0500B	Pressure Reducing Spring Pin	1
10	K3240-0500	Extension Spring	1



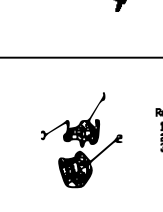
K3240-0400 Piston & Connecting Rod Assembly

Ref	P/N	Description	Qty
1	K3240-0400	1st Compression Ring	1
2	K3240-0400	2nd Compression Ring	1
3	K3240-0400	Oil Ring	1
4	K3240-0400	Retaining Ring	2
5	K3240-0400	Piston Pin	1
6	K3240-0400	Connecting Rod	1
7	K3240-0400	Piston	1




Cylinder Head Assembly K3906ET-0200

Ref	P/N	Description	Qty
1	K3240-0201	Exhaust Pipe Stud	2
2	K3240-0201	Exhaust Pipe Gasket	1
3	K3240-0201	Exhaust Valve	1
4	K3240-0201A	Intake Valve	1
5	K3240-0201	Intake Pipe Gasket	1
6	K3906ET-0200	Carburetor Insulation Block	1
7	K3240-0201	Carburetor Gasket A	1
8	K3240-0201	Intake Pipe Stud	2
9	K3906ET-0200	Carburetor Gasket B	1
10	K3240-0201	Intake Valve Guiding Pipe	Oil Seal 1
11	K3240-0201	Valve Spring Seat	1
12	K3240-0201	Push Rod Guiding Plate	1
13	K3240-0201	Rocker Arm Shaft Bolt	2
14	K3240-0201	Valve Rocker Arm	2
15	K3240-0201	Rocker Arm Shaft	2
16	K3240-0201	Rocker Arm Shaft Adjusting Bolt	2
17	K3240-0201	Valve Adjusting Gasket Block	2
18	K3240-0201	Valve Cotter	2
19	K3240-0201	Valve Spring	2
20	K3240-0201	Exhaust Valve Spring Bottom Seat	1
21	K3240-0201	Cylinder Head Mechanism Part	1



K3906ET-1000 Carburetor Assembly

Ref	P/N	Description	Qty
1	K3906ET-1000	Motor Bracket	1
2	K3906ET-1000	Carburetor	1
3	GM/1002-1990	Screw M4x8	2



K3906ET-1300 Starter Electrical System

Ref	P/N	Description	Qty
1	GM/15789-000	Bolt M6x30	2
2	GM/15789-000	Back Up Ring	2
3	GM/15789-000	Back Up Ring	2
4	K3906ET-1300	Starter Motor	1

	Engine Block Assy		KG390GETi-01000		
Ref No	Part Number	ID Number	Description	Qty	
0	KG390GETi-01000	67046	Engine Block Assy	1	KG390GETi
1	GB/T5789-1986		Bolt M8 x 30	7	KG390GETi
2	GB/T276-1994	76328	Bearing 6202	2	KG390GETi
3	KG340-01005	67048	Crankcase Cover Gasket	1	KG390GETi
4	GB/T276-1994	67040	Bearing 6207	1	KG390GETi
5	KG160-01011	75418	Crankcase Cover Locator Pin	2	KG390GETi
6	KM168F-10008	76272	Oil Drain Plug Gasket	2	KG390GETi
7	KG240-01007	76262	Oil Drain Plug	2	KG390GETi
8	KG340-01017	67038	Oil Seal	2	KG390GETi
9	KG390GETi-01021	67050	Seal Gasket	1	KG390GETi
10	KG390-01004	67052	Cylinder Head Gasket	1	KG390GETi
11	KG240-01003	76268	Cylinder Head Bolt	4	KG390GETi
12	KG240-01012	76266	Cylinder Head Location Pin	2	KG390GETi
13	KG390GETi-01001	76055	Engine Block Assy	1	KG390GETi
14	KG205GETi-01015	76148	Oil Level Gauge	1	KG390GETi
15	KG160-01016	75424	Oil Dipstick Gasket	1	KG390GETi
16	KG390GETi-01006	67056	Crankcase Cover	1	KG390GETi
16-1	KG390GEXi-01006	67058	Crankcase Cover	1	KG390GETi
17	GB/T5789-1986		Bolt M6 x 12	2	KG390GETi
18	KG390GETi-01022	62187	Press Line Plate	1	KG390GETi
19	KG390GEXi-01023	67601	Closed End Face Cover	1	KG390GETi
	Air Intake System		KG390GETi-b-07000		
Ref No	Part Number	ID Number	Description	Qty	
0	KG390GETi-b-07000	76324	Air Intake System	1	KG390GETi
1	KG240-07004	62493	Carburetor Back Up Ring	1	KG390GETi
2	KG390GETi-b-07200T	62181	Air filter	1	KG390GETi
3	KG390GETi-07004	67060	Seal Gasket	1	KG390GETi
4	KG390GETi-07003	62503	Filter Element Support	1	KG390GETi
5	KG240GX-07002	62496	Filter Element Support	1	KG390GETi
6	KG390GETi-07002	62502	Air Filter Cover	1	KG390GETi
7	GB/T6177.1-2000		Nut M6	1	KG390GETi
8	GB/T5789-1986		Bolt M6 x 12	2	KG390GETi
	Cylinder Head Cover		KGE390GETi-03000		
Ref No	Part Number	ID Number	Description	Qty	
0	KGE390GETi-03000	67062	Cylinder Head Cover	1	KG390GETi
1	KG240-03003	76282	Cylinder Head Cover Bolt	1	KG390GETi
2	KG240-03004	76252	Cylinder Head Bolt Washer	1	KG390GETi
3	KG240-03100	76278	Cylinder Head Cover	1	KG390GETi
4	KG240-03001	76276	Cylinder Head Seal Ring	1	KG390GETi
5	KG390GETi-03002	67064	Vent Pipe	1	KG390GETi

Crankshaft & Flywheel Assy		KG390GETi-05000		
Ref No	Part Number	ID Number	Description	Qty
0	KG390GETi-05000	67066	Crankshaft & Flywheel Assy	1
1	KG390GETi-05001	67068	Crankshaft	1
2	KG340-05005	67070	Balance Shaft	1
3	KG340-05002	67072	Crankshaft Timing Gear	1
4	KG340-05003	67074	Balance Shaft Drive Gear	1
5	GB/T1096-2003	67076	Key 5 x 14	1
6	GB/T276-1994	67040	Bearing 6207	1
7	KM186FAGETi-05102	67077	Flywheel Tooth Ring	1
8	KM186F-05002	67078	Flywheel Nut	1
9	KM186F-05003	68981	Flywheel Nut Washer	1
Speed Control & Steering System		KG390GETi-11000		
Ref No	Part Number	ID Number	Description	Qty
1	KG390GETi-11000	62504	Speed Control & Steering Sytem	1
Ignition System		KG390GETi-14000		
Ref No	Part Number	ID Number	Description	Qty
0	KG390GETi-14000	67080	Ignition System	1
1	Bosch WR7DC	76060	Spark Plug WR7DC	1
2	GB/T5789-1986		Bolt M6 x 16	2
3	KG240-14300	10418	Oil Alert	1
4	GB/T6177.1-2000		Hex Nut M10	1
Camshaft Assembly		KG390-06000		
Ref No	Part Number	ID Number	Description	Qty
0	KG390-06000	67082	Camshaft Assembly	1
1	KG340-06002	10804	Valve Push Rod	2
2	KG340-06001	67086	Valve Tappet	2
3	KG390-06108	67088	Camshaft	1
4	KG240-06106	67090	Pin, Gearshift Fork	1
5	KG240-06107	67092	Gearshift Fork	1
6	KG240-06101	67094	Swinging Arm	1
7	KG240-06105	67096	Pressure Regulator Block	1
8	KG240-06104	67098	Swinging Arm Pin	1
9	KG240-06102	67100	Pressure Reducing Spring Pin	1
10	KG160-06103	76186	Extension Spring	1
Piston & Connecting Rod Assy		KG390-04000		
Ref No	Part Number	ID Number	Description	Qty
0	KG390-04000	67102	Piston & Connecting Rod Assy	1
1	KG390-04001		1st Compression Ring part of KG390-	1
2	KG390-04002		2nd Compression Ring part of KG390-	1

3	KG390-04100		Oil Ring part of KG390-0400	1	KG390GETi
1-3	KG390-04001T	64042	Complete Ring Set	1	KG390GETi
4	KG340-04005	67110	Retaining Ring	2	KG390GETi
5	KG340-04004	67112	Piston Pin	1	KG390GETi
6	KG340-04200	67114	Connecting Rod	1	KG390GETi
7	KG390-04003	67116	Piston	1	KG390GETi
	Cylinder Head Assembly		KG390GETi-02000		
Ref No	Part Number	ID Number	Description	Qty	
0	KG390GETi-02000	67188	Cylinder Head Assembly	1	KG390GETi
1	KG240-02017	76296	Exhaust Pipe Stud	2	KG390GETi
2	KG240-02015	62204	Exhaust Pipe Gasket	1	KG390GETi
3	KG670-02005	67120	Exhaust Valve	1	KG390GETi
4	KG670-02004	67122	Intake Valve	1	KG390GETi
5	KG340-02014	62498	Inlet Pipe Gasket	1	KG390GETi
6	KG390GETi-02017	62500	Carburetor Insulation Block	1	KG390GETi
7	KG340-02021	62499	Carburetor Gasket A	1	KG390GETi
8	KG340-02016	67124	Intake Pipe Stud	2	KG390GETi
9	KG390GETi-02023	67126	Carburetor Gasket B	1	KG390GETi
10	KG240-02012	76250	Intake Valve Guide Oil Seal	1	KG390GETi
11	KG186F-02002a	67128	Valve Spring Seat	1	KG390GETi
12	KG240-02011	67130	Push Rod Guide	1	KG390GETi
13	KG670-02007	67132	Rocker Arm Shaft Bolt	2	KG390GETi
14	KG670-02009	67134	Valve Rocker Arm	2	KG390GETi
15	KG160-02008	76204	Rocker Shaft	2	KG390GETi
16	KG160-02016	75446	Rocker Arm Shaft Adjusting Nut	2	KG390GETi
17	KG670-02003	67136	Valve Adjusting Gasket Block	2	KG390GETi
18	KG670-02001	67138	Valve Cotter	2	KG390GETi
19	KG240-02006	76288	Valve Spring	2	KG390GETi
20	KG240-02013	76280	Exhaust Valve Guide Oil Seal	1	KG390GETi
21	KG340-02100	67140	Cylinder Head Mechanism	1	KG390GETi
	Carburetor Assembly		KG390GETi-10000		
Ref No	Part Number	ID Number	Description	Qty	
0	KG390GETi-10000	67142	Carburetor Assembly	1	KG390GETi
1	KG200GETi-10210	67144	Motor Bracket	1	KG390GETi
2	P27A1-000	67146	Carburetor	1	KG390GETi
3	GB/T823-1988		Screw M4 X 8	2	KG390GETi
	Starter Electrical System		KG390GETi-15000		
Ref No	Part Number	ID Number	Description	Qty	
0	KG390GETi-15000	67148	Starter Electrical System	1	KG390GETi
1	GB/T5783-2000		Bolt M10 x 30	2	KG390GETi
2	GB/T93-1987		Elastic Back Up Ring 10	2	KG390GETi
3	GB/T97.1-2002		Back Up Ring 10	2	KG390GETi

4	KM186FE-15100	10702	Starter Motor	1	KG390GETI
---	---------------	-------	---------------	---	-----------