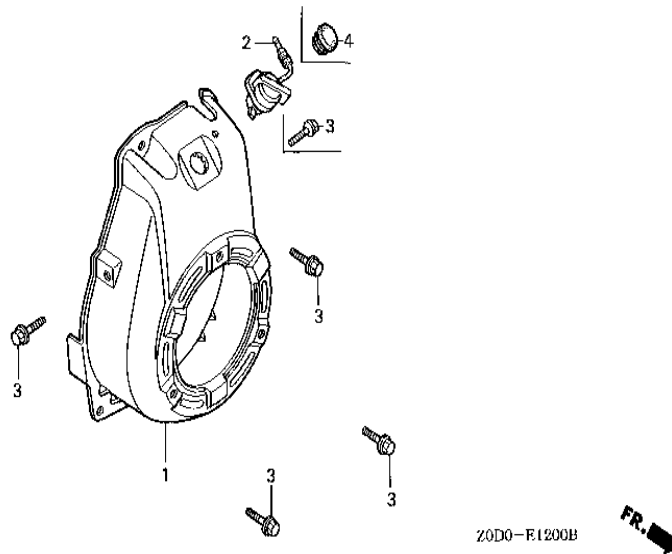
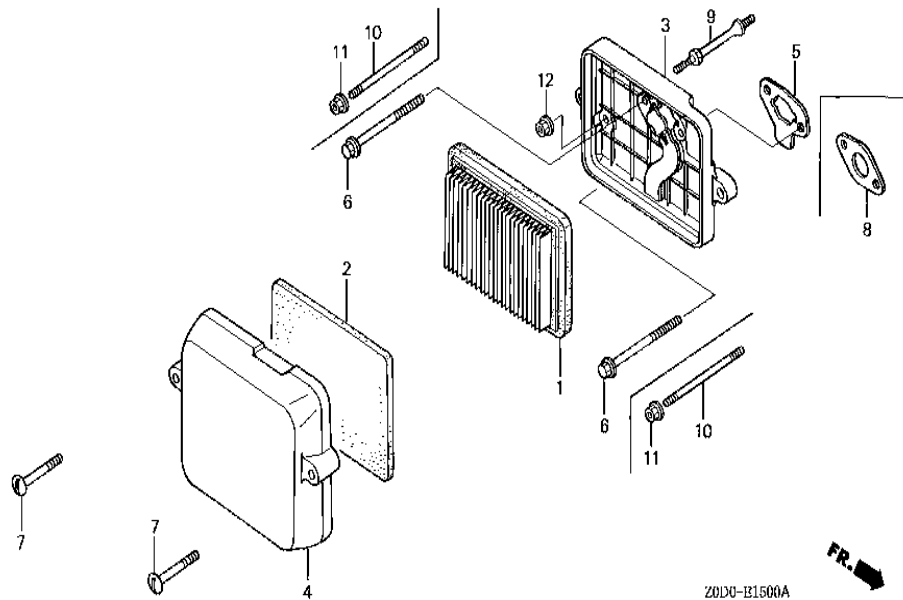


Ref	Partnumber	Description	GX100	Serial Numbers
001	28400-Z0D-V02ZA	STARTER ASSY., RECOIL *NH1*	1	
002	28410-Z0D-V02ZA	CASE COMP., RECOIL STARTER*NH1*	1	
003	28421-Z0D-V02	REEL, RECOIL STARTER	1	
004	28422-ZG0-W02	RATCHET, STARTER	2	
005	28433-ZG0-W02	GUIDE, RATCHET	1	
006	28441-ZW6-003	SPRING, FRICTION	1	
007	28442-ZH8-003	SPRING, RECOIL STARTER	1	
008	28461-ZH8-003	GRIP, STARTER	1	
009	28462-Z0D-V02	ROPE, RECOIL STARTER	1	
010	28467-Z0D-V02	PLATE, SIDE	1	
011	28468-Z0D-V02	PLATE, SLIDE	1	
012	90003-ZH8-003	SCREW, SETTING	1	
013	95701-0600800	BOLT, FLANGE, 6X8	3	



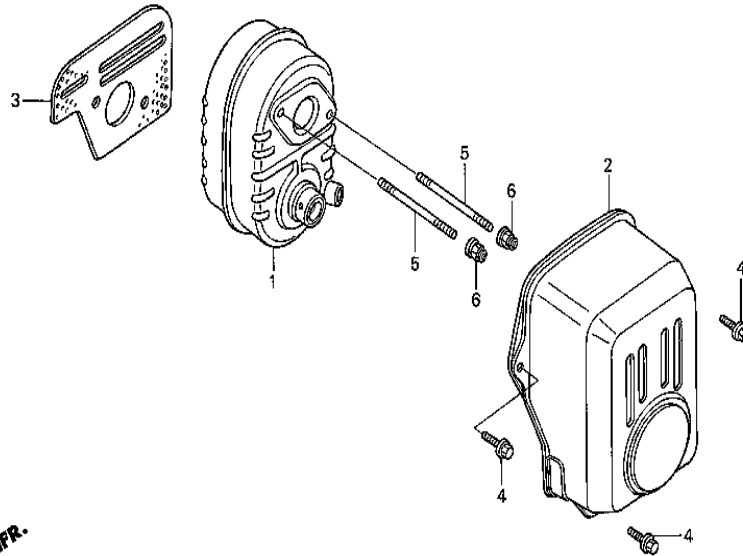
<u>Ref</u>	<u>Partnumber</u>	<u>Description</u>	<u>GX100</u>	<u>Serial Numbers</u>
001	19610-Z0D-V00ZB	COVER COMP., FAN *NH1*	1	
002	36100-ZE1-015	SWITCH ASSY., ENGINE STOP	1	
003	90014-952-000	BOLT, FLANGE, 6X14 (CT200)	4	

014	16212-Z0D-V20	PACKING, INSULATOR	1
015	16221-ZG0-801	PACKING, CARBURETOR	1
016	93892-0401218	SCREW-WASHER, 4X12	4
017	95001-4527050	HOSE, FUEL, 4.5X270(95001-45001-50M)	1
018	95002-4085008	CLAMP, TUBE (D8.5)	2
019	95003-0501031	TUBE, VINYL, 3.5X6.5X100(95003-05001-60M)	1
020	99101-ZG0-0550	JET, MAIN, #55	(1)
020	99101-ZG0-0580	JET, MAIN, #58	(1)
020	99101-ZG0-0600	JET, MAIN, #60	1
021	99204-ZE0-0350	JET SET, PILOT, #35	1



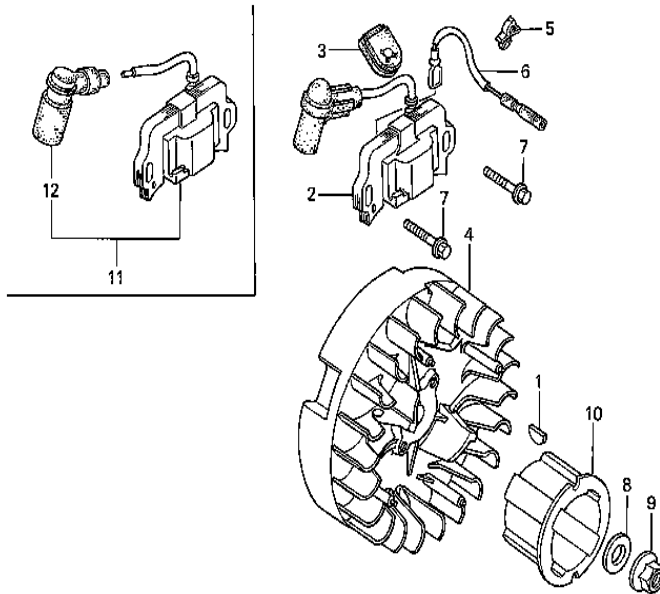
Z0D0-B1500A

Ref	Partnumber	Description	GX100	Serial Numbers
001	17211-ZL8-003	ELEMENT, AIR CLEANER	1	
003	17220-Z0D-V20	CASE COMP., AIR CLEANER	1	
004	17231-Z0D-V60	COVER, AIR CLEANER	1	
005	17228-Z0D-V21	PACKING, AIR CLEANER	1	
007	90011-Z0D-000	BOLT, AIR CLEANER COVER	2	
009	90041-Z0D-V20	BOLT, STUD	1	
010	90042-Z0D-V20	BOLT, STUD, 5X75 (CT200)	2	
011	94050-05000-	NUT, FLANGE, 5MM	2	
012	94050-06000-	NUT, FLANGE, 6MM	1	



Z0D0-B1601

Ref	Partnumber	Description	GX100	Serial Numbers
001	18310-Z0D-V20	MUFFLER COMP.	1	
002	18321-Z0D-V20	PROTECTOR, MUFFLER	1	
003	18381-Z0D-000	GASKET, MUFFLER	1	
004	90014-952-000	BOLT, FLANGE, 6X14 (CT200)	3	
005	90048-Z0D-V00	BOLT, STUD, 6X78 (CT200)	2	
006	90343-ZE6-000	NUT, SELF-LOCK, 6MM	2	

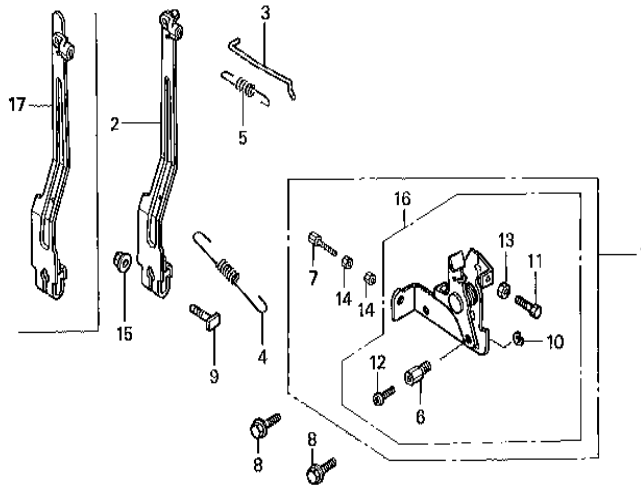


Z0D0-E1900A

FR. →

Ref	Partnumber	Description	GX100	Serial Numbers
001	13331-ZM7-000	KEY, SPECIAL	1	
003	30564-ZA5-000	GROMMET, CORD	1	
004	31110-Z0D-003	FLYWHEEL COMP.	1	
005	30701-883-000	CLIP, HIGH TENSION CORD (8MM)	1	
006	32195-Z0D-000	CORD, STOP SWITCH	1	
007	90022-888-010	BOLT, FLANGE, 6X20 (CT200)	2	
009	94050-12000-	NUT, FLANGE, 12MM	1	
010	28451-Z0D-V02	PULLEY, STARTER	1	
011	30500-Z0D-V01	COIL ASSY., IGNITION	1	
012	30700-Z0D-V01	TERMINAL ASSY., HIGH TENSION	1	

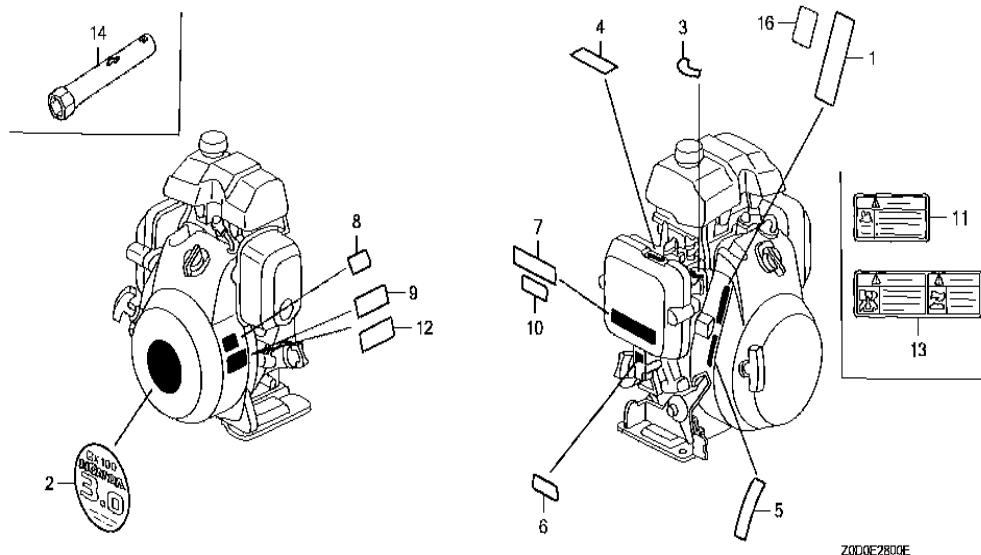
Edited by Foxit Reader

Copyright(C) by Foxit Software Company,2005-2006
For Evaluation Only.

70D0-E2201B

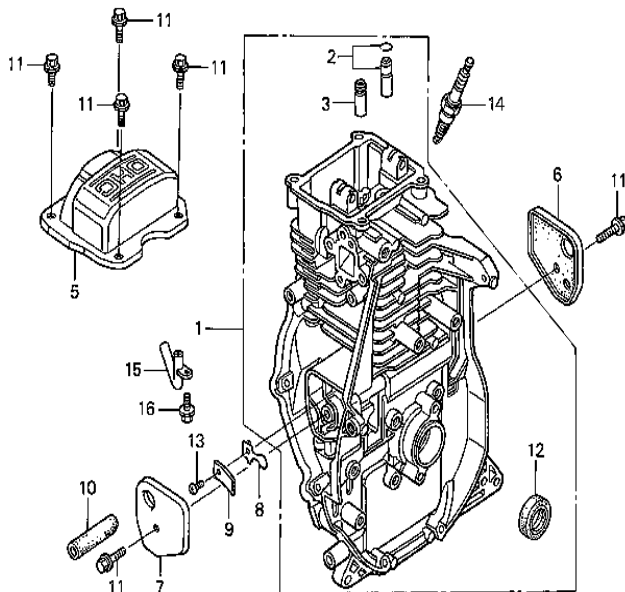
<u>Ref</u>	<u>Partnumber</u>	<u>Description</u>	<u>GX100</u>	<u>Serial Numbers</u>
001	16500-ZG0-V90	CONTROL ASSY.	1	
002	16550-Z0D-V20	ARM COMP., GOVERNOR	1	
003	16555-Z0D-V20	ROD, GOVERNOR	1	
004	16561-Z0D-V20	SPRING, GOVERNOR	1	
005	16562-Z0D-V20	SPRING, THROTTLE RETURN	1	
006	16594-883-010	HOLDER, WIRE	1	
007	54717-ZG0-S00	BOLT, CABLE ADJUSTING (6X34)	1	
008	90014-952-000	BOLT, FLANGE, 6X14 (CT200)	2	
009	90015-ZE5-010	BOLT, GOVERNOR ARM	1	
010	90605-230-000	CIRCLIP, 5MM	1	
011	92301-050200A	BOLT, RECESSED, 5X20	1	
012	93500-040060H	SCREW, PAN, 4X6	1	
013	94001-050000S	NUT, HEX., 5MM	1	

014	94002-060000S	NUT, HEX., 6MM	2
015	94050-06000-	NUT, FLANGE, 6MM	1



Z000E2800E

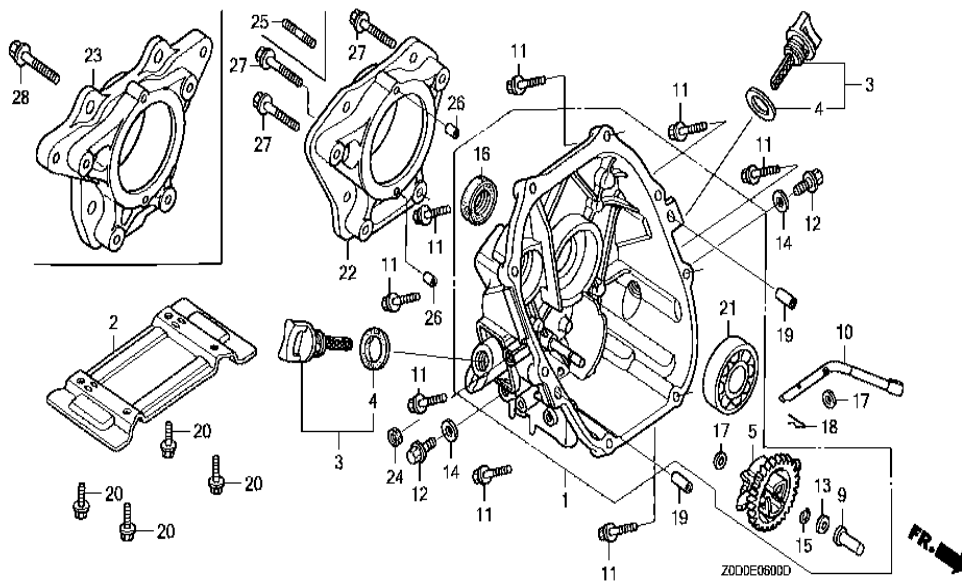
Ref	Partnumber	Description	GX100	Serial Numbers
002	87521-Z0D-V00	EMBLEM (RAMMA) (GX100 3.0)	1	
004	87528-Z0D-000	MARK, CHOKE INDICATION	1	
006	87601-Z0D-V50	MARK, TYPE (KRB)	1	
014	89216-130-690	WRENCH, SPARK PLUG	1	



Z0D0-E0300A

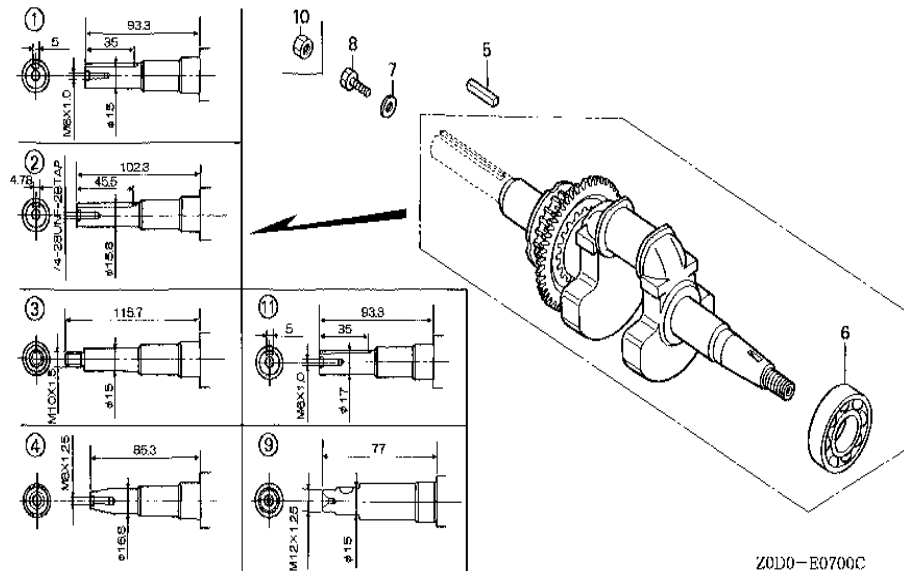
<u>Ref</u>	<u>Partnumber</u>	<u>Description</u>	<u>GX100</u>	<u>Serial Numbers</u>
001	12000-Z0D-405	BARREL ASSY., CYLINDER	1	
002	12201-Z0D-305	GUIDE ASSY., EX. VALVE (O.S.)	(1)	
003	12204-Z0D-305	GUIDE, IN. VALVE (O.S.)	(1)	
005	12311-Z0D-000	COVER, HEAD	1	
006	12355-Z0D-000	COVER COMP. A, BREATHER	1	
007	12365-Z0D-000	COVER COMP. B, BREATHER	1	
008	15571-Z0D-V71	VALVE, OIL OUTLET	1	
009	15572-ZM7-000	PLATE, STOPPER	1	
010	15721-Z0D-000	TUBE, BREATHER	1	
011	90014-952-000	BOLT, FLANGE, 6X14 (CT200)	6	
012	91202-KJ9-003	OIL SEAL, 20X32X6	1	
013	93500-030050A	SCREW, PAN, 3X5	1	
014	98056-55757-	PLUG, SPARK (U16FSR-UB)	1	

014	98056-55777-	PLUG, SPARK (CR5HSB)	1
015	15171-Z0D-V00	PIPE, BREATHER	1
016	90008-ZM7-000	BOLT, 4X10	1



Ref	Partnumber	Description	GX100	Serial Numbers
001	11300-Z0D-409	COVER ASSY., CRANKCASE	1	
003	15600-ZM7-003	CAP ASSY., OIL FILLER	1	
004	15625-ZE1-003	PACKING, OIL FILLER CAP	1	
005	16510-ZL8-000	GOVERNOR ASSY.	1	
009	16531-ZE1-000	SLIDER, GOVERNOR	1	
010	16541-Z0D-000	SHAFT, GOVERNOR ARM	1	
011	90121-952-000	BOLT, FLANGE, 6X25 (CT200)	8	
012	90131-ZE1-000	BOLT, DRAIN PLUG	1	
013	90451-ZE1-000	WASHER, THRUST, 6MM	1	
014	90601-ZE1-000	WASHER, DRAIN PLUG, 10.2MM	1	
015	90602-ZE1-000	CLIP, GOVERNOR HOLDER	1	
016	91202-KJ9-003	OIL SEAL, 20X32X6	1	
017	94101-06800-	WASHER, PLAIN, 6MM	2	

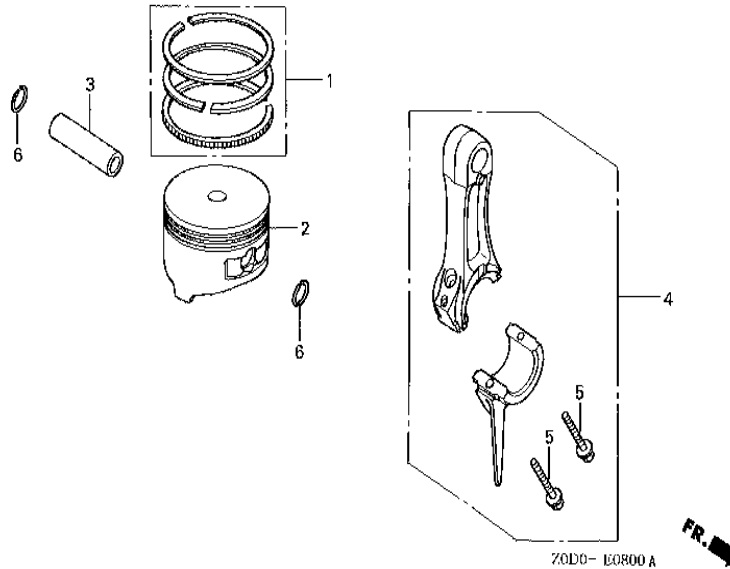
018	94251-08000-	PIN, LOCK, 8MM	1
019	94301-08200-	DOWEL PIN, 8X20	2
021	96100-6204000	BEARING, RADIAL BALL, 6204	1
023	11511-Z0D-V10	FLANGE, P.T.O.	1
024	91231-891-003	OIL SEAL, 6X11X4 (ARAI)	1
026	94303-06100-	DOWEL PIN, 6X10	2
027	95701-0804500	BOLT, FLANGE, 8X45	4
028	93402-1004000	BOLT-WASHER, 10X40	2



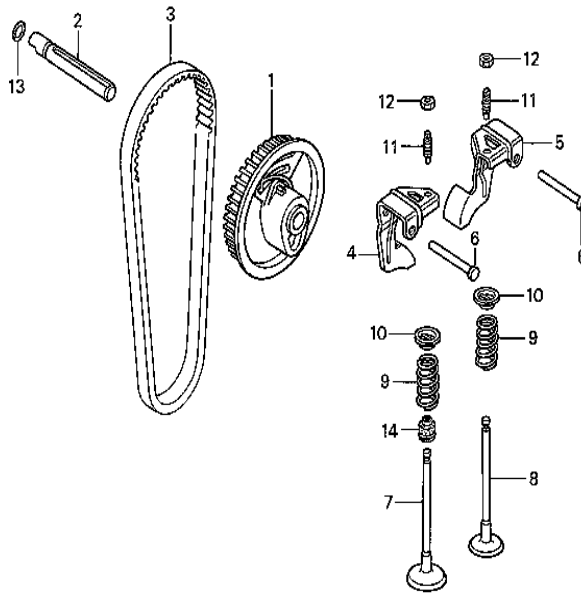
Z0D0-E0700C

FR. →

Ref	Partnumber	Description	GX100	Serial Numbers
005	90741-Z0D-V50	KEY, WOODRUFF, 13X12	1	
006	91001-Z0D-V01	BEARING, RADIAL BALL, 6204C	1	
009	13310-Z0D-V00	CRANKSHAFT COMP.	1	
010	94002-12000S	NUT, HEX., 12MM	1	



Ref	Partnumber	Description	GX100	Serial Numbers
001	13010-Z0D-003	RING SET, PISTON	1	
002	13101-Z0D-000	PISTON	1	
003	13111-ZE0-000	PIN, PISTON	1	
004	13200-Z0D-000	ROD ASSY., CONNECTING	1	
004	13200-Z0D-305	ROD ASSY., CONNECTING(UNDER SIZE)	(1)	
005	90001-ZM7-000	BOLT, CONNECTING ROD	2	
006	90551-ZE0-000	CLIP, PISTON PIN, 13MM	2	



Z000-E0900A



<u>Ref</u>	<u>Partnumber</u>	<u>Description</u>	<u>GX100</u>	<u>Serial Numbers</u>
001	14320-Z0D-000	PULLEY COMP., CAMSHAFT	1	
002	14324-Z0D-000	SHAFT, CAM PULLEY	1	
003	14400-Z0D-003	BELT, TIMING (61YU7 G-200)	1	
004	14431-Z0D-000	ARM, IN. VALVE ROCKER	1	
005	14441-Z0D-000	ARM, EX. VALVE ROCKER	1	
006	14461-ZL8-000	SHAFT, ROCKER ARM	2	
007	14711-Z0D-000	VALVE, IN.	1	
008	14721-Z0D-000	VALVE, EX.	1	
009	14751-Z0D-000	SPRING, VALVE	2	
010	14771-ZM3-010	RETAINER, VALVE SPRING	2	
011	90012-333-000	SCREW, TAPPET ADJUSTING	2	
012	90206-001-000	NUT, TAPPET ADJUSTING	2	
013	91301-ZM0-V31	O-RING, 6.8X1.9 (ARAI)	1	

014 12209-KT7-013

SEAL, VALVE STEM

1