



PARTS CATALOG

Published

2009/5 (May.)

0CR10-G78000

P R E F A C E

1.This parts catalog is a first edition of the L100N5EN9F9HAMA Diesel engine.

	Parts catalog No.	Date of issue	Remarks
First edition	0CR10-G78000	Mar.,2009	No need

2.This parts catalog dose not contain the technical data needed for maintenance service.

3.The illustrations used in this parts catalog have been simplified for clarity.

4.The contents of this parts catalog are subject to change without notice.

5.Be sure to use only Yanmar genuine parts for repairs. If imitation parts are used, it may cause engine defects.

Directions for the Parts Catalog.

- 1.The parts stipulated in this Parts Catalog are not necessarily standard equipped parts.
- 2.Parts may change without prior notice.
- 3.The following is an example of the Parts Catalog format.

Y00F2161 29. FUEL INJECTION PUMP (W/BOOST)								(A)=4JH-DT	(D)=4JH-DTZA
① REF.	② LEV.	PARTSNo.	DESCRIPTION	(A)	(B)	(C)	(D)	(E)	(F)
1		729595-51390	FUEL INJECTION PUMP	1	1	1	1	1	1
1-1	1	729595-51391	FUEL INJECTION PUMP	1	1	1	1	1	1
		(A=E00185) (B=E00200)							
3	2	26022-060162	SCREW M 6X16	9	9	9	9	9	
3-1	2	26022-060162	SCREW M 6X16	4	4	4	4	4	K
		(A=E00156) (B=E00156) (C=E00156) (D=E00156) (E=E00156)							
4	2	129470-51040	CAMSHIFT	9	9	9	9	9	
5	2	122710-51050	BEARING. ROLLER	9	9	9	9	9	
6	2	129470-51060	RETAINER	9	9	9	9	9	

Remarks	
(1)	BOOST COMPEMSATOR TYPE. OPTIONAL PART. TO E/#00155 (4JH-DT, 4JH-DTZ)

①Ref. No.

The Ref. No. listed may not be in accordance with the illustration Ref. No.

(Ex.) Illustration No. List Ref No.

1 1 (Before change) → 1-1 (After change)

For interchangeable symbols N, R and K, illustrations for new parts may be abbreviated.

②Lev. (Level)

Level indication

The numbers below indicate the level of relativity towards the main part.

- 1 ---- Main parts (Assembly parts)
- 2 ---- Sub component included in " 1 ".
- 3 ---- Sub component included in " 2 ".

Note) Parts that are not for sale are partially illustrated but not listed.

③Change Mark

The "I" indicates parts that were newly changed.

④Interchangeability Mark

When a part change takes place, one of the following interchangeability symbols is indicated beside the part.

Symbol	Interchangeability	Contents note
N	Old $\begin{matrix} \leftarrow \text{Yes} \\ \text{No} \rightarrow \end{matrix}$ New	New Part is interchangeable for Old Part but Old Part is not interchangeable for New Part.
Q	Old $\begin{matrix} \text{No} \leftarrow \\ \text{Yes} \rightarrow \end{matrix}$ New	New Part is not interchangeable for Old Part but Old Part is interchangeable for New Part.
R	Old $\begin{matrix} \leftarrow \text{Yes} \\ \text{Yes} \rightarrow \end{matrix}$ New	New/ Old Parts are both interchangeable.
S	Old $\begin{matrix} \text{No} \leftarrow \\ \text{No} \rightarrow \end{matrix}$ New	New/ Old Parts are both not interchangeable.
W		Part discontinued.
Z		Part newly added.
F		Not interchangeable by a single part but interchangeable together with related parts.
K		Changes only for used parts quantities.

⑤Effective Machine No.

When a part changes, the effective Machine No. will be indicated in the (A)-(F) column.

Product Symbol	Product No.	Product Symbol	Product No.
C	Clutch No. Compressor No.	F	Machine No. (Agricultural Equip.)
D	Drive No.	M	Machine No.
E	Engine No.	Note 1)	Date

Note 1) A date may follow the symbol. (Ex.) 1996.01

Note 2) " XXX " are for parts that could not be predicted or for engine models that could not be identified.

Note 3) (A=E/#00185) is the E/# (Engine Serial Number) for the column (A) model (in this case 4JH-DT) after the parts design change.

⑥Remarks Mark

Figures or alphabets (symbols) are entered in the remarks column.

The comments (remarks) on parts that are indicated at the bottom of the illustration are the same symbols as those stated above.

CONTENTS

MODEL : L100N5EN9F9HAMA
PC NO : 0CR10-G78000

Fig.No. GROUP NAME

L100N SERIES

1. CYLINDER BLOCK
2. CYLINDER HEAD & BONNET
3. INTAKE & EXHAUST
4. CRANKSHAFT, PISTON & CAMSHAFT
5. LUB.OIL PUMP & GOVERNOR
6. COOLING DEVICE
7. F.I.PUMP & F.I.VALVE
8. STARTING MOTOR
9. TOOL, LABEL & GASKET SET

Fig.No. GROUP NAME

Fig.1. CYLINDER BLOCK

(A)=L100N5EN9F9HAMA

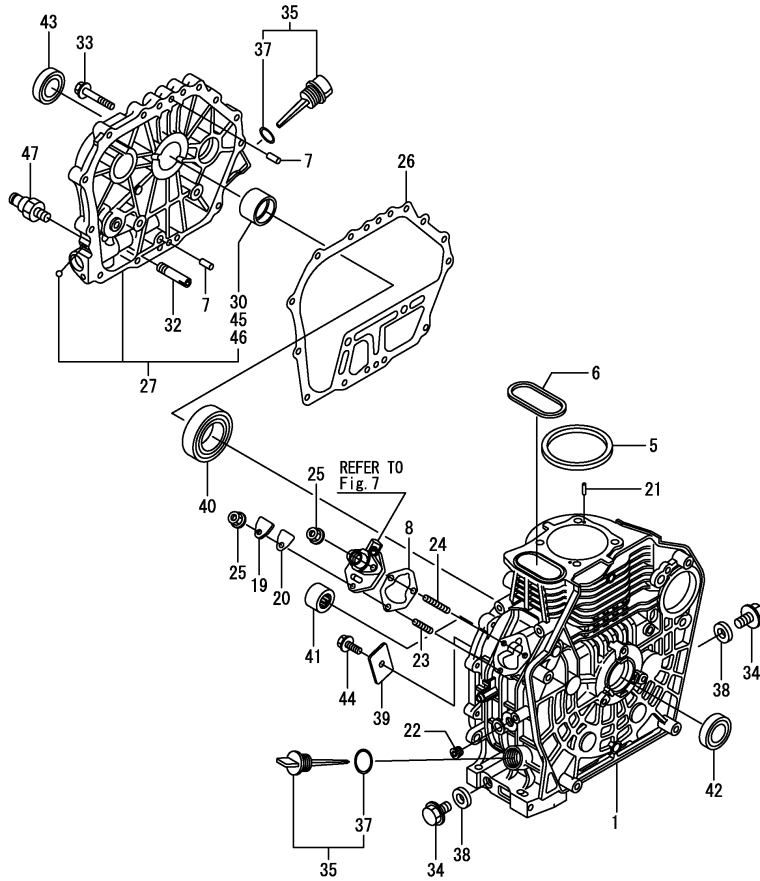
(B)=

(C)=

(D)=

(E)=

(F)=



REF.	LEV.	PARTS NO.	DESCRIPTION	QTY						I	R
				(A)	(B)	(C)	(D)	(E)	(F)		
1	1	114310-01020	BLOCK ASSY, CYLINDER	1							
5	1	114695-01340	GASKET, HEAD 0.5	1							
6	1	114699-01380	O-RING	1							
7	1	114299-01600	PIN, 8X12	2							
8	1	114299-01800	SHIM SET	1							
19	1	114299-01830	COVER,(FO PUMP	1							
20	1	114250-01841	GASKET	1							
21	1	22312-040080	PARALLEL PIN, M4X8	2							
22	1	23875-020000	PLUG PT1/4,STEEL	1							
23	1	26226-060182	STUD M 6X 18 PLATED	1							
24	1	26226-060222	STUD M 6X 22 PLATED	2							
25	1	26366-060002	NUT M 6	3							
26	1	114699-01410	GASKET, CRANK CASE	1							
27	1	114310-01450	COVER(D, CRANK CASE	1							
30	2	114650-02100	BEARING, MAIN	1							1
32	1	114299-35150	PIPE, L.O. INLET	1							
33	1	26106-080352	BOLT M 8X 35 PLATED	16							
34	1	114299-01690	PLUG M16	2							
35	1	114699-01760	CAP ASSY, LO SUPPLY	2							
37	2	114299-01950	O-RING	2							
38	1	22190-160002	WASHER, 16	2							
39	1	114299-02030	RETAINER, BEARING	1							
40	1	114650-02150	BALL BEARING	1							
41	1	24162-152220	NEEDLE, 152220	1							
42	1	24423-355008	SEAL, OIL	1							
43	1	24423-355008	SEAL, OIL	1							
44	1	26106-080122	BOLT M 8X 12 PLATED	1							
45	1	114650-02200	MAIN BEARING US=0.25	1							2
46	1	114650-02210	MAIN BEARING US=0.50	1							3
47	1	183250-39450	SWITCH, OIL PRESSURE	1							

Remarks

- (1)REPAIR PART.
- (2)UNDER SIZED(U.S.=0.25)PART.
- (3)UNDER SIZED(U.S.=0.50)PART.

Fig.2. CYLINDER HEAD & BONNET

(A)=L100N5EN9F9HAMA

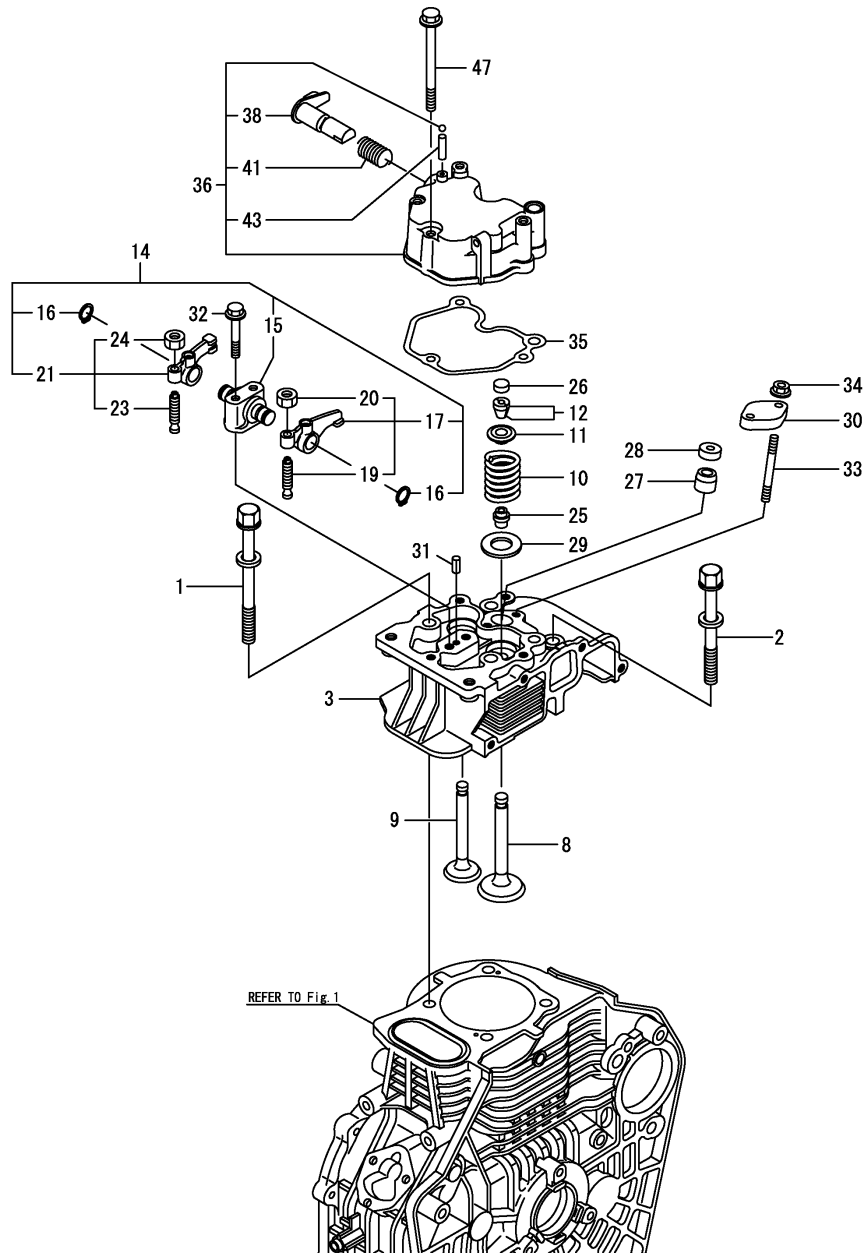
(B)=

(C)=

(D)=

(E)=

(F)=



REF.	LEV.	PARTS NO.	DESCRIPTION	QTY						I	R
				(A)	(B)	(C)	(D)	(E)	(F)		
1	1	114310-01200	BOLT, CYL.HEAD A	2							
2	1	114310-01210	BOLT, CYL.HEAD B	2							
3	1	114320-11020	HEAD ASSY, CYLINDER	1							
8	1	114310-11100	VALVE, INTAKE	1							
9	1	114310-11110	VALVE, EXHAUST	1							
10	1	114310-11120	SPRING, VALVE	2							
11	1	114310-11180	RETAINER, SPRING	2							
12	1	114310-11930	COTTER ASSY	2							
14	1	114310-11250	SUPPORT ASSY, ROCKER	1							
15	2	114310-11260	SUPPORT, ROCKER ARM	1							
16	2	114310-11280	C TYPE RETAINING RIN	2							
17	2	114310-11650	ARM ASSY, INTAKE	1							
19	3	114299-11240	SCREW, ADJUSTING	1							
20	3	26856-060002	LOCK NUT 6	1							
21	2	114310-11660	ARM ASSY, EXHAUST	1							
23	3	114299-11240	SCREW, ADJUSTING	1							
24	3	26856-060002	LOCK NUT 6	1							
25	1	114650-11340	SEAL, VALVE STEM	2							
26	1	104211-11370	CAP, VALVE	2							
27	1	114240-11450	PROTECTOR, NOZZLE	1							
28	1	114240-11550	SEAT, NOZZLE	1							
29	1	114699-11600	WASHER	2							
30	1	114210-11901	RETAINER, NOZZLE	1							
31	1	22351-040008	SPRING PIN 4X 8	1							
32	1	26106-080502	BOLT M 8X 50 PLATED	2							
33	1	26226-060552	STUD M6X 55 PLATED	2							
34	1	26366-060002	NUT M 6	2							
35	1	114310-11310	GASKET, BONNET	1							
36	1	114310-11960	BONNET ASSY, HEAD	1							
38	2	114210-03580	SHAFT ASSY, DECOMP.	1							
41	2	114299-03640	SPRING, DECOMP.	1							
43	2	22312-030160	PARALLEL PIN 3X16	1							
47	1	26106-060652	BOLT M 6X 65 PLATED	3							

Fig.3. INTAKE & EXHAUST

(A)=L100N5EN9F9HAMA

(B)=

(C)=

(D)=

(E)=

(F)=

REF.	LEV.	PARTS NO.	DESCRIPTION	Q'TY						I	R
				(A)	(B)	(C)	(D)	(E)	(F)		
1	1	114310-12210	GASKET, AIR CLEANER	1							
2	1	114299-12300	U-NUT	2							
3	2	114210-12600	LOCKING KNOB	1							
4	1	26106-060402	BOLT M 6X 40 PLATED	1							
5	1	114310-13200	GASKET, MUFFLER	1							
6	1	26216-080182	STUD M 8X 18 PLATED	2							
7	1	26366-080002	NUT M 8	2							
8	1	114310-12050	MANIFOLD, INTAKE	1							
9	1	26226-060142	STUD,BOLT 6 X 14	2							

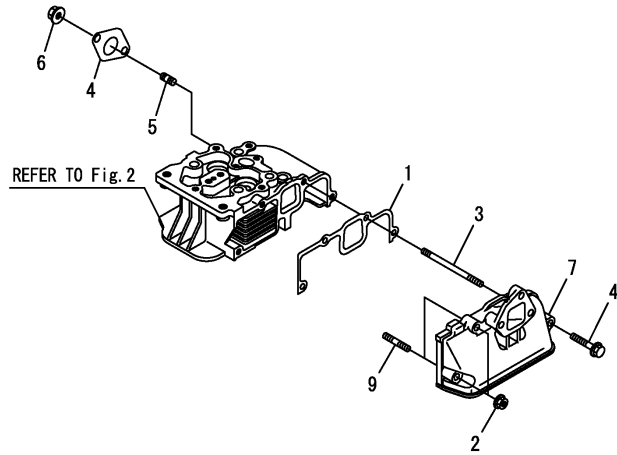
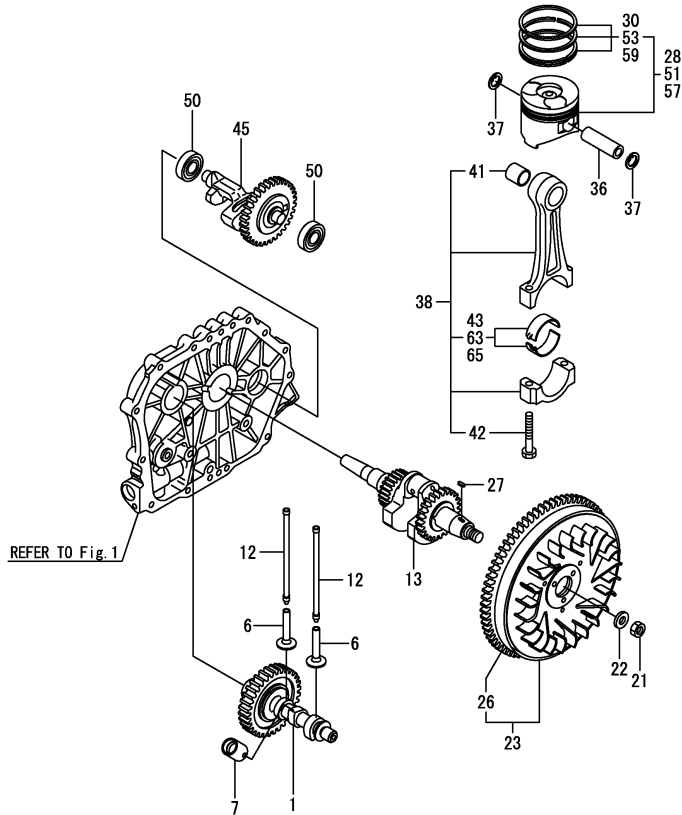


Fig.4. CRANKSHAFT, PISTON & CAMSHAFT



OCR10-G78000 4. CRANKSHAFT, PISTON & CAMSHAFT

(A)=L100N5EN9FHAMA

(B)=

(C)=

(D)=

(E)=

(F)=

REF.	LEV.	PARTS NO.	DESCRIPTION	QTY						I	R
				(A)	(B)	(C)	(D)	(E)	(F)		
1	1	714320-14580	CAMSHAFT ASSY	1							
6	1	114310-14200	TAPPET	2							
7	1	114210-14300	TAPPET ASSY, ROLLER	1							
12	1	114310-14400	ROD ASSY, PUSH	2							
13	1	714310-21710	CRANKSHAFT(E-DG ASSY	1							
21	1	114699-21220	NUT	1							
22	1	114699-21550	WASHER, FLYWHEEL	1							
23	1	114699-21600	FLYWHEEL ASSY, DE	1							
26	2	114699-21630	RING, GEAR	1							
27	1	22512-050140	KEY, 5X14	1							
28	1	714320-22720	PISTON W/RINGS (D	1							
30	2	714310-22500	RING SET, PISTON	1							
36	1	114699-22300	PIN, PISTON	1							
37	1	129792-22400	CIRCLIP, 23	2							
38	1	71431C-23010	ROD ASSY, CONNECTING	1							
41	3	124060-23100	BUSH, PISTON PIN	1							
42	3	119810-23200	BOLT, CONNECTING ROD	2							
43	2	714650-23600	BEARING, CRANKPIN	1							
45	1	714310-28510	SHAFT ASSY, BALANCER	1							
50	1	24101-063040	BALL BEARING	2							
51	1	714320-22620	PISTON W/RING .25OS	1							1
53	2	714310-22540	RING SET O.S.=0.25	1							1
57	1	714320-22580	PISTON W/RING .50OS	1							2
59	2	714310-22550	RING SET O.S.=0.50	1							2
63	1	714650-23610	BEARING,PIN(U.S.=0.25	1							3
65	1	714650-23620	BEARING,PIN(U.S.=0.50	1							4

Remarks

- (1)OVER SIZED(O.S.=0.25)PART.
- (2)OVER SIZED(O.S.=0.50)PART.
- (3)UNDER SIZED(U.S.=0.25)PART.
- (4)UNDER SIZED(U.S.=0.50)PART.

Fig.5. LUB.OIL PUMP & GOVERNOR

(A)=L100N5EN9F9HAMA

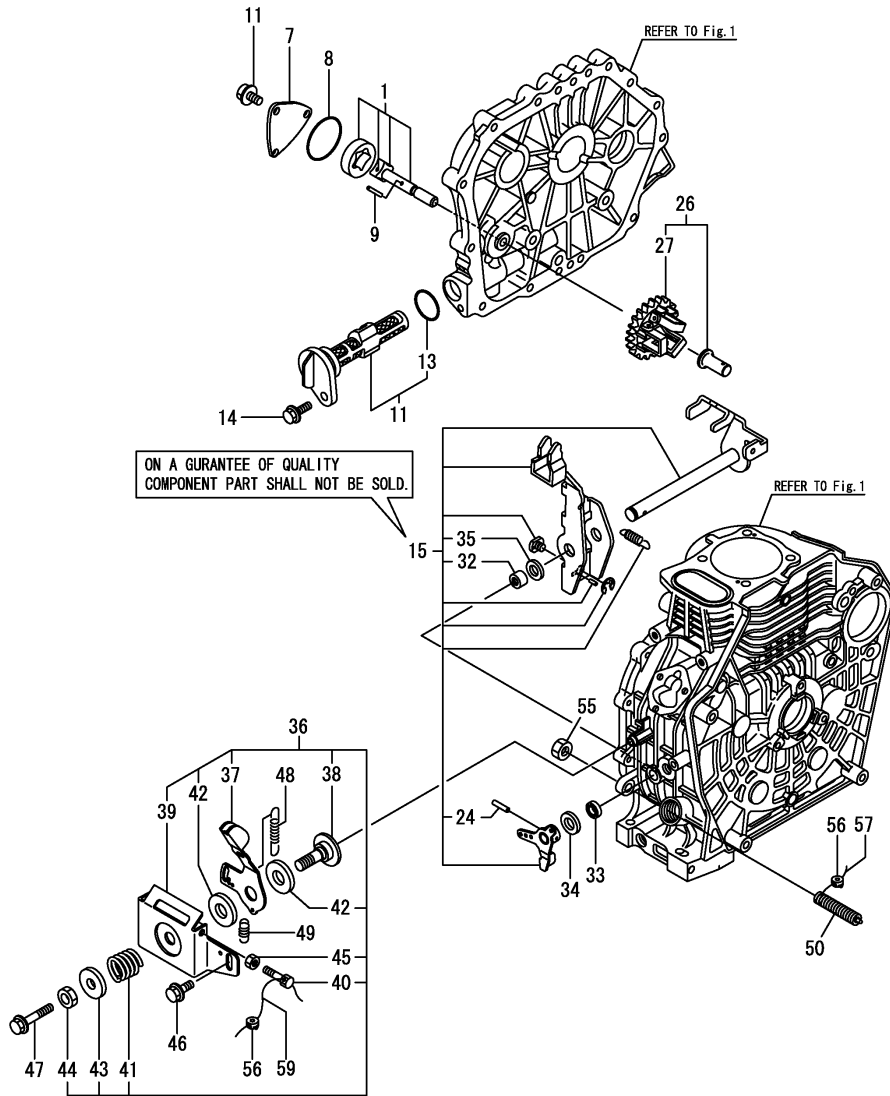
(B)=

(C)=

(D)=

(E)=

(F)=



REF.	LEV.	PARTS NO.	DESCRIPTION	Q'TY						I	R
				(A)	(B)	(C)	(D)	(E)	(F)		
1	1	114650-32010	PUMP ASSY, LUB.OIL	1							
7	1	114299-32070	COVER, LUB. OIL PUMP	1							
8	1	114299-32570	O-RING, COVER	1							
9	1	22312-030160	PARALLEL PIN 3X16	1							
10	1	26106-060122	BOLT M 6X 12 PLATED	3							
11	1	114299-35110	FILTER CMP, LUB.OIL	1							
13	2	24341-000224	O-RING 1A S-22.4	1							
14	1	26106-060162	BOLT M 6X 16 PLATED	1							
15	1	114311-61500	LEVER ASSY, GOVERNOR	1							
24	2	22322-030200	TAPER PIN 3X20	1							
26	1	714210-61701	GOVERNOR ASSY	1							
27	2	114210-61290	WEIGHT ASSY,GOVERNOR	1							
32	1	114770-61520	BEARING	2							
33	1	114299-61600	SEAL, OIL	1							
34	1	114770-61610	WASHER, THRUST	1							
35	1	114299-61190	WASHER, GOVERNOR	1							
36	1	114210-66550	BRACKET CMP,REGULATO	1							
37	2	114210-66070	HANDLE, REGULATOR	1							
38	2	183250-66070	SHAFT, HANDLE	1							
39	2	114210-66400	BRACKET, HANDLE	1							
40	2	114250-66440	BOLT, ADJUSTING	1							
41	2	104200-66820	SPRING, HANDLE	1							
42	2	104200-66831	PLATE, FRICTION	2							
43	2	104200-66850	WASHER, B	1							
44	2	26696-100002	NUT, 10	1							
45	2	26757-060002	NUT, 6	1							
46	1	26106-060142	BOLT, 6 X 14	1							
47	1	26106-060452	BOLT, 6 X 45	1							
48	1	114770-66010	SPRING, REGULATOR	1							
49	1	114299-66200	SPRING, RETURN	1							
50	1	114211-66600	LIMITER ASSY, FUEL	1							
55	1	26776-100002	NUT, 10	1							
56	1	114780-61090	TIN	2							
57	1	22451-060000	WIRE, 0.6	2							

Fig.6. COOLING DEVICE

(A)=L100N5EN9F9HAMA

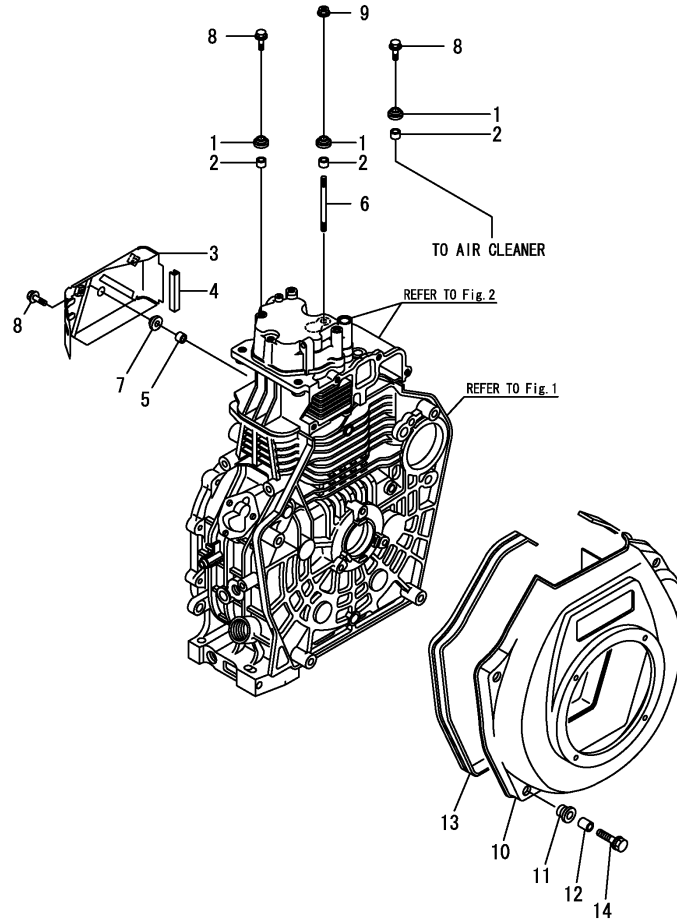
(B)=

(C)=

(D)=

(E)=

(F)=



REF.	LEV.	PARTS NO.	DESCRIPTION	QTY						I	R
				(A)	(B)	(C)	(D)	(E)	(F)		
1	2	114299-45220	GROMMET, TANK	4							
2	2	114399-45340	COLLAR, CYL.COVER	4							
3	1	114310-45260	COVER B, SIDE	1							
4	1	114399-45320	RUBBER, SEAL	1							
5	1	114399-45340	COLLAR, CYL.COVER	1							
6	1	114310-45360	STUD BOLT, TOP COVER	1							
7	1	114299-45220	GROMMET, TANK	1							
8	1	26106-060202	BOLT, 6 X 20	4							
9	1	26366-060002	NUT, 6	1							
10	1	114310-45100	FAN CASE	1							
11	1	114299-45301	RUBBER, CUSHION	4							
12	1	114299-45310	COLLAR, FAN CASE	4							
13	1	114699-45330	SEAL, FAN CASE	1							
14	1	114299-45350	BOLT, FAN CASE	4							

Fig.7. F.I.PUMP & F.I.VALVE

(A)=L100N5EN9F9HAMA

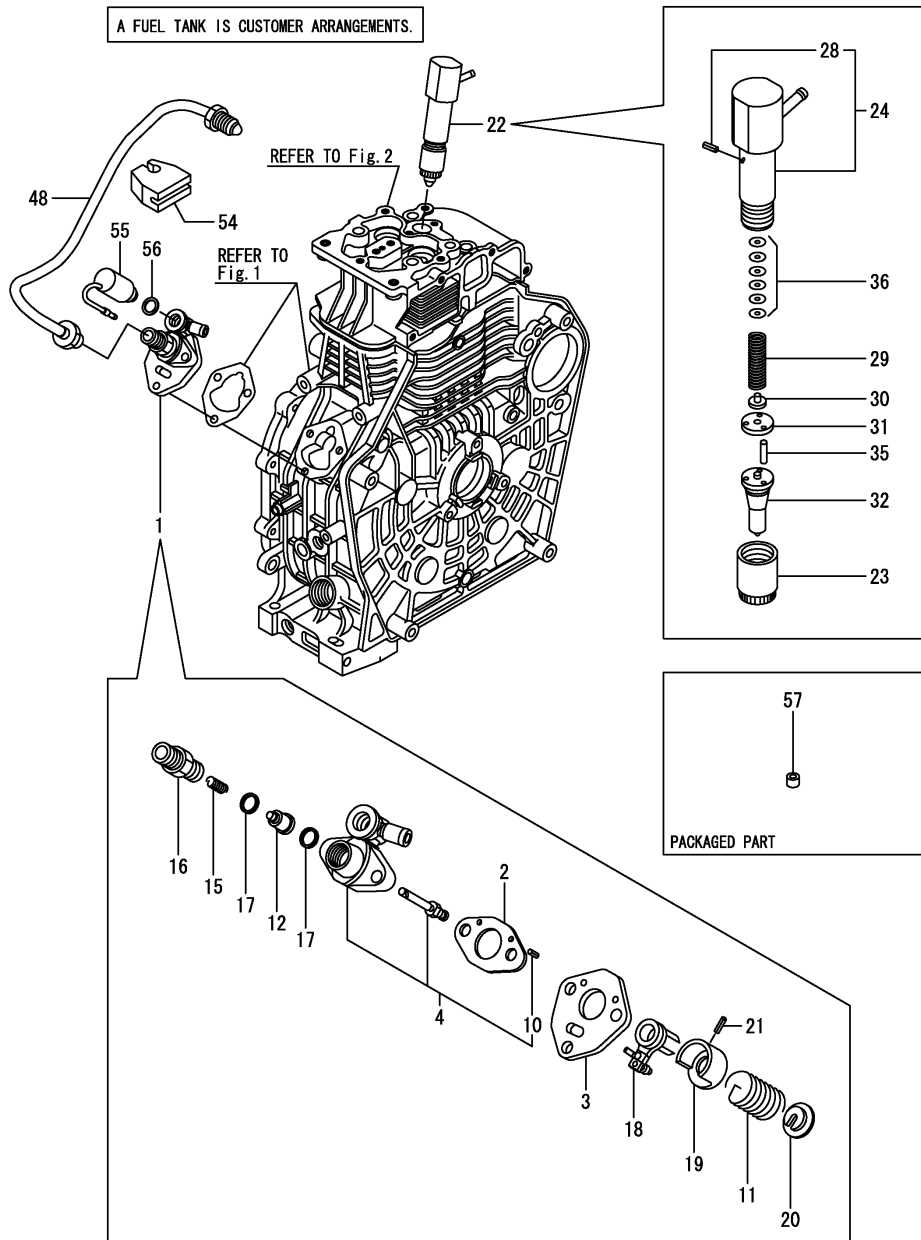
(B)=

(C)=

(D)=

(E)=

(F)=



REF.	LEV.	PARTS NO.	DESCRIPTION	QTY						I	R
				(A)	(B)	(C)	(D)	(E)	(F)		
1	1	714339-51310	F.I.PUMP ASSY	1							
2	2	105546-51020	GASKET, PUMP BODY	1							
3	2	114250-51080	PLATE	1							
4	2	114339-51200	BODY ASSY, PUMP	1							
10	4	22351-020006	PIN, 2.0A X 6	2							
11	2	114250-51160	SPRING, PLUNGER	1							
12	2	114650-51300	VALVE ASSY, DELIVERY	1							
15	2	105546-51330	SPRING, DELIVERY	1							
16	2	114250-51340	HOLDER, DELIVERY	1							
17	2	124550-51350	PACKING, DELIVERY	2							
18	2	114250-51600	LEVER, CONTROL	1							
19	2	114250-51640	SEAT A, SPRING	1							
20	2	114250-51650	SEAT B, SPRING	1							
21	2	22351-030008	PIN, 3.0A X 8	1							
22	1	714339-53200	FUEL INJECTOR	1							
23	2	114250-53080	NUT,NOZZLE	1							
24	2	114339-53100	HOLDER ASSY, NOZZLE	1							
28	3	22351-025005	PIN, 2.5A X 5	1							
29	2	114250-53120	SPRING,NOZZLE	1							
30	2	114250-53130	SEAT,SPRING	1							
31	2	114250-53140	SPACER,VALVE STOP	1							
32	2	114339-53200	NOZZLE ASSY	1							
35	2	114250-53210	PIN	2							
36	2	114250-53400	SHIM SET	1							
48	1	114310-59800	PIPE, FUEL INJECTION	1							
54	1	114699-59850	SUPPORT, PIPE	1							
55	1	114110-76900	VALVE ASSY, F/O CUT	1							
56	1	114299-83020	GASKET, 10X1.2	1							
57	1	114299-59850	ORIFICE,FUEL	1							

Fig.8. STARTING MOTOR

(A)=L100N5EN9FHAMA

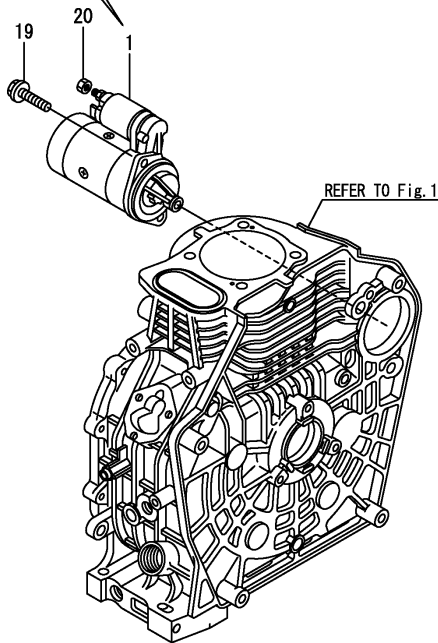
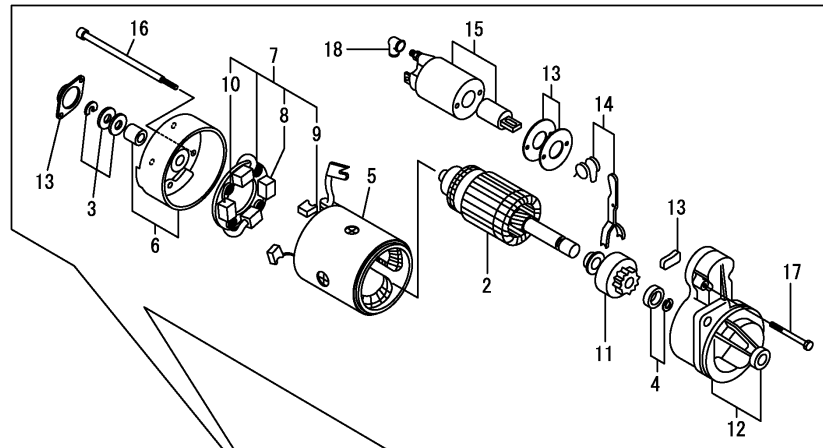
(B)=

(C)=

(D)=

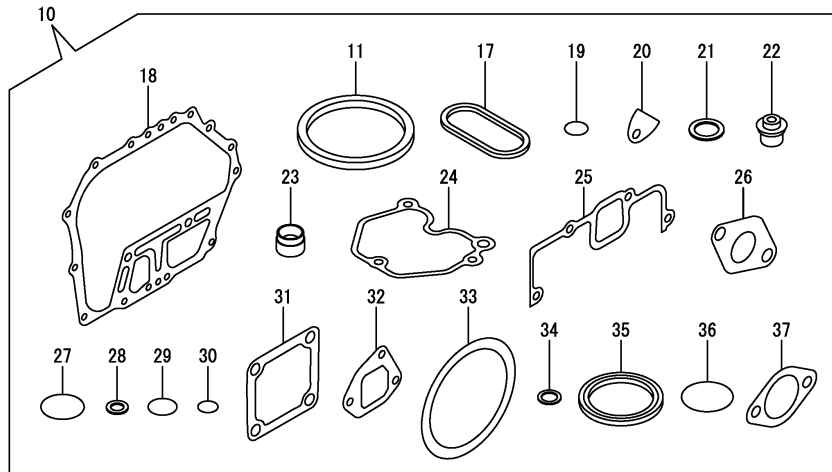
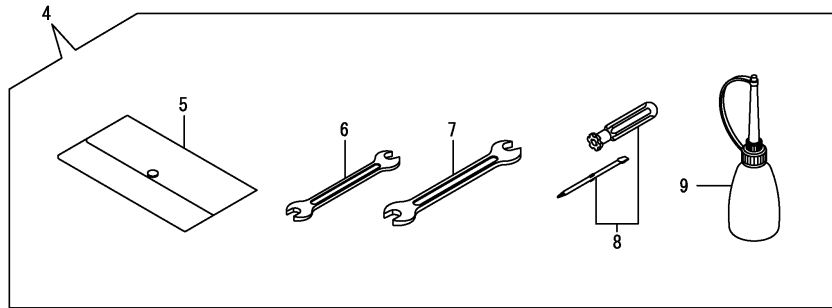
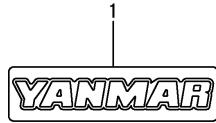
(E)=

(F)=



REF.	LEV.	PARTS NO.	DESCRIPTION	Q'TY						I	R
				(A)	(B)	(C)	(D)	(E)	(F)		
1	1	114362-77011	MOTOR ASSY, STARTER	1							
2	2	114381-77110	ARMATURE	1							
3	2	X2114811000	WASHER KIT, THRUST	1							
4	2	X2114715500	STOPPER SET, PINION	1							
5	2	114381-77130	COIL ASSY, FIELD	1							
6	2	114381-77140	COVER, REAR	1							
7	2	114371-77160	HOLDER ASSY, BRUSH	1							
8	3	114371-79040	BRUSH (-)	2							
9	3	114371-79050	BRUSH (+)	1							
10	3	114371-79060	SPRING, BRUSH	4							
11	2	X211485016	PINION ASSY	1							
12	2	114381-77151	HOUSING ASSY, GEAR	1							
13	2	114371-77170	COVER KIT, DUST	1							
14	2	114371-77180	SHIFT LEVER KIT	1							
15	2	124298-77020	SWITCH, MAGNET	1							
16	2	124195-77770	THROUGH BOLT	2							
17	2	114371-79070	BOLT M 6X 37	2							
18	2	X2114274200	COVER, TERMINAL	1							
19	1	26106-100302	BOLT, 10 X 30	2							
20	1	26716-080002	NUT, 8	1							

Fig.9. TOOL, LABEL & GASKET SET



OCR10-G78000 9. TOOL, LABEL & GASKET SET

(A)=L100N5EN9FHAMA

(B)=

(C)=

(D)=

(E)=

(F)=

REF.	LEV.	PARTS NO.	DESCRIPTION	QTY						I	R
				(A)	(B)	(C)	(D)	(E)	(F)		
1	1	114299-07110	LABEL, YANMAR MARK B	1							
4	1	114299-92590	TOOL ASSY	1							
5	2	114299-92600	BAG, TOOL	1							
6	2	114299-92710	SPANNER	1							
7	2	114299-92720	SPANNER	1							
8	2	114299-92730	DRIVER, SCREW	1							
9	2	114299-92740	DIPSTICK	1							
10	1	114320-92610	GASKET SET(NON-ASB.)	1							1
11	2	114695-01330	GASKET ASSY,CYL.HEAD	1							
17	2	114699-01380	O-RING	1							
18	2	114699-01410	GASKET, CRANK CASE	1							
19	2	114299-01950	O-RING	2							
20	2	114250-01841	GASKET	1							
21	2	22190-160002	WASHER, 16	2							
22	2	114650-11340	SEAL, VALVE STEM	2							
23	2	114240-11450	PROTECTOR, NOZZLE	1							
24	2	114310-11310	GASKET, BONNET	1							
25	2	114310-12210	GASKET, AIR CLEANER	1							
26	2	114310-13200	GASKET, MUFFLER	1							
27	2	114299-32570	O-RING, COVER	1							
28	2	23414-080000	GASKET 8, ROUND	1							
29	2	24341-000224	O-RING 1A S-22.4	1							
30	2	24341-000150	O-RING 1A S-15.0	2							
31	2	129100-77510	GASKET, AIR HEATER	3							
32	2	114699-12210	GASKET, CLEANER	2							
33	2	114399-21980	GASKET	1							
34	2	23414-120000	GASKET 12, ROUND	1							
35	2	160393-55050	GASKET, TANK CAP	4							
36	2	24311-000400	O-RING 1A P-40.0	1							
37	2	183671-13211	GASKET, EXH.PIPE	1							

Remarks

(1)OPTIONAL

Part Number Index

All parts are stipulated in the order of part numbers.

(Depending on the area in which the part is used.)

This index will display the location of the part according to each part number.

PARTS No. INDEX

PARTS No.	Fig.	Ref.No.
104200-66820	5	41
104200-66831	5	42
104200-66850	5	43
104211-11370	2	26
105546-51020	7	2
105546-51330	7	15
114110-76900	7	55
114210-03580	2	38
114210-11901	2	30
114210-12600	3	3
114210-14300	4	7
114210-61290	5	27
114210-66070	5	37
114210-66400	5	39
114210-66550	5	36
114211-66600	5	50
114240-11450	2	27
	9	23
114240-11550	2	28
114250-01841	1	20
	9	20
114250-51080	7	3
114250-51160	7	11
114250-51340	7	16
114250-51600	7	18
114250-51640	7	19
114250-51650	7	20
114250-53080	7	23
114250-53120	7	29
114250-53130	7	30
114250-53140	7	31
114250-53210	7	35
114250-53400	7	36
114250-66440	5	40
114299-01600	1	7
114299-01690	1	34
114299-01800	1	8
114299-01830	1	19
114299-01950	1	37
	9	19
114299-02030	1	39
114299-03640	2	41
114299-07110	9	1
114299-11240	2	19
		23
114299-12300	3	2
114299-32070	5	7
114299-32570	5	8
	9	27
114299-35110	5	11

PARTS No.	Fig.	Ref.No.
114299-35150	1	32
114299-45220	6	1
		7
114299-45301	6	11
114299-45310	6	12
114299-45350	6	14
114299-59850	7	57
114299-61190	5	35
114299-61600	5	33
114299-66200	5	49
114299-83020	7	56
114299-92590	9	4
114299-92600	9	5
114299-92710	9	6
114299-92720	9	7
114299-92730	9	8
114299-92740	9	9
114310-01020	1	1
114310-01200	2	1
114310-01210	2	2
114310-01450	1	27
114310-11100	2	8
114310-11110	2	9
114310-11120	2	10
114310-11180	2	11
114310-11250	2	14
114310-11260	2	15
114310-11280	2	16
114310-11310	2	35
	9	24
114310-11650	2	17
114310-11660	2	21
114310-11930	2	12
114310-11960	2	36
114310-12050	3	8
114310-12210	3	1
	9	25
114310-13200	3	5
	9	26
114310-14200	4	6
114310-14400	4	12
114310-45100	6	10
114310-45260	6	3
114310-45360	6	6
114310-59800	7	48
114311-61500	5	15
114320-11020	2	3
114320-92610	9	10
114339-51200	7	4
114339-53100	7	24

PARTS No.	Fig.	Ref.No.
114339-53200	7	32
114362-77011	8	1
114371-77160	8	7
114371-77170	8	13
114371-77180	8	14
114371-79040	8	8
114371-79050	8	9
114371-79060	8	10
114371-79070	8	17
114381-77110	8	2
114381-77130	8	5
114381-77140	8	6
114381-77151	8	12
114399-21980	9	33
114399-45320	6	4
114399-45340	6	2
		5
114650-02100	1	30
114650-02150	1	40
114650-02200	1	45
114650-02210	1	46
114650-11340	2	25
	9	22
114650-32010	5	1
114650-51300	7	12
114695-01330	9	11
114695-01340	1	5
114699-01380	1	6
	9	17
114699-01410	1	26
	9	18
114699-01760	1	35
114699-11600	2	29
114699-12210	9	32
114699-21220	4	21
114699-21550	4	22
114699-21600	4	23
114699-21630	4	26
114699-22300	4	36
114699-45330	6	13
114699-59850	7	54
114770-61520	5	32
114770-61610	5	34
114770-66010	5	48
114780-61090	5	56
119810-23200	4	42
124060-23100	4	41
124195-77770	8	16
124298-77020	8	15
124550-51350	7	17

PARTS No.	Fig.	Ref.No.
129100-77510	9	31
129792-22400	4	37
160393-55050	9	35
183250-39450	1	47
183250-66070	5	38
183671-13211	9	37
714210-61701	5	26
714310-21710	4	13
714310-22500	4	30
714310-22540	4	53
714310-22550	4	59
714310-28510	4	45
71431C-23010	4	38
714320-14580	4	1
714320-22580	4	57
714320-22620	4	51
714320-22720	4	28
714339-51310	7	1
714339-53200	7	22
714650-23600	4	43
714650-23610	4	63
714650-23620	4	65
X2114274200	8	18
X2114715500	8	4
X2114811000	8	3
X211485016	8	11



YANMAR CO.,LTD.



PARTS CATALOG

Published 2010/2 (Feb.)

0CW10-G59600

P R E F A C E

1. This parts catalog is the 1st edition of L100N5EJ1F1CAS5 for MASE.

Pub.No. : 0CW10-G59600

Published : March, 2010

2. Model name

Engine model	Vehicle	Vehicle made by
L100N5EJ1F1CAS5	GENERATOR	MASE

Directions for the Parts Catalog.

1. The parts stipulated in this Parts Catalog are not necessarily standard equipped parts.
2. Parts may change without prior notice.
3. The following is an example of the Parts Catalog format.

REF.	LEV.	PARTS NO.	DESCRIPTION	Q'TY						I	R
				(A)	(B)	(C)	(D)	(E)	(F)		
1	1	729595-51390	FUEL INJECTION PUMP	1	1	1	1	1			1
1-1	1	729595-51391	FUEL INJECTION PUMP	1	1	1	1	1		N	1
		(A=E00185) (B=E00200)									
3	2	26022-060162	SCREW M 6X 16	9	9	9	9	9			
3-1	2	26022-060162	SCREW M 6X 16	4	4	4	4	4		K	
		(A=E00156) (B=E00156) (C=E00156) (D=E00156) (E=E00156)									
4	2	129470-51040	CAMSHAFT	1	1	1	1	1			
5	2	122710-51050	BEARING, ROLLER	2	2	2	2	2			
6	2	129470-51060	RETAINER	1	1	1	1	1			

Remarks
(1) BOOST COMPEMSATOR TYPE. OPTIONAL PART, TO E00155,(4JH-DT, 4JH-DTZ

① Ref. No.

The Ref. No. listed may not be in accordance with the illustration Ref. No.

(Ex.) Illustration No.

List Ref No.

1

1

(Before change)

1-1

(After change)

For interchangeable symbols N, R and K, illustrations for new parts may be abbreviated.

② Lev. (Level)

Level indication

The numbers below indicate the level of relativity towards the main part.

1 ----- Main parts (Assembly parts)

2 ----- Sub component included in " 1 ".

3 ----- Sub component included in " 2 ".

Note) Parts that are not for sale are partially illustrated but not listed.

③ Interchangeability Mark

When a part change takes place, one of the following interchangeability symbols is indicated beside the part.

Symbol	Interchangeability	Contents note
N	Old $\begin{matrix} \leftarrow \text{Yes} \\ \text{No} \rightarrow \end{matrix}$ New	New Part is interchangeable for Old Part but Old Part is not interchangeable for New Part.
Q	Old $\begin{matrix} \leftarrow \text{No} \\ \text{Yes} \rightarrow \end{matrix}$ New	New Part is not interchangeable for Old Part but Old Part is interchangeable for New Part.
R	Old $\begin{matrix} \leftarrow \text{Yes} \\ \text{Yes} \rightarrow \end{matrix}$ New	New/ Old Parts are both interchangeable.
S	Old $\begin{matrix} \leftarrow \text{No} \\ \text{No} \rightarrow \end{matrix}$ New	New/ Old Parts are both not interchangeable.
W		Part newly added.
Z		Part discontinued.
F		Not interchangeable by a single part but interchangeable together with related parts.
K		Changes only for used parts quantities.

④ Effective Machine No.

When a part changes, the effective Machine No. will be indicated in the (A)-(F) column.

Product Symbol	Product No.	Product Symbol	Product No.
C	Clutch No. Compressor No.	F	Machine No. (Agricultural Equip.)
D	Drive No.	M	Machine No.
E	Engine No.	Note 1)	Date

Note 1) A date may follow the symbol. (Ex.) 1996.01

Note 2) " XXX " are for parts that could not be predicted or for engine models that could not be identified.

Note 3) (A=E00185) is the E (Engine Serial Number) for the column (A) model (in this case 4JH-DT) after the parts design change.

⑤ Remarks Mark

Figures or alphabets (symbols) are entered in the remarks column.

The comments (remarks) on parts that are indicated at the bottom of the illustration are the same symbols as those stated above.

CONTENTS

MODEL : L100N5EJ1F1CAS5

PC NO : 0CW10-G59600

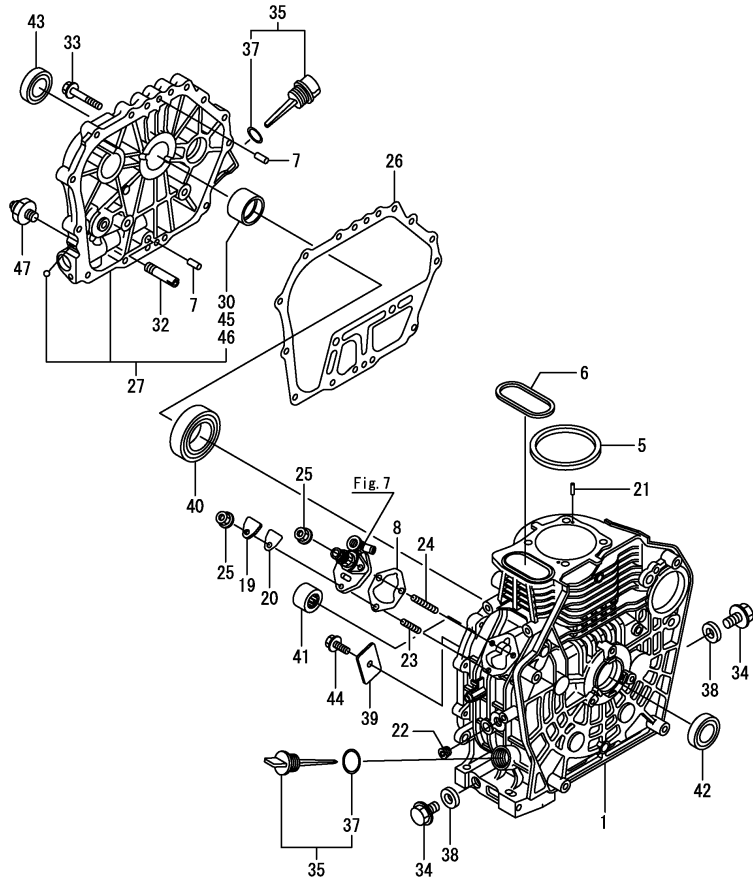
Fig.No. GROUP NAME

L100N5EJ1F1CAS5

1. CYLINDER BLOCK
2. CYLINDER HEAD & BONNET
3. AIR CLEANER & MUFFLER
4. CRANKSHAFT, PISTON & CAMSHAFT
5. LUB.OIL PUMP & GOVERNOR
6. COOLING & STARTING DEVICE
7. F.I.PUMP & F.I.VALVE
8. FUEL TANK & FUEL PIPE
9. STARTING MOTOR & DYNAMO
10. TOOL, LABEL & GASKET SET

Fig.No. GROUP NAME

Fig.1. CYLINDER BLOCK



(A)=L100N5EJ1F1CAS5

(B)=

(C)=

(D)=

(E)=

(F)=

REF.	LEV.	PARTS NO.	DESCRIPTION	Q'TY						I	R
				(A)	(B)	(C)	(D)	(E)	(F)		
1	1	114310-01020	BLOCK ASSY, CYLINDER	1							
5	1	114695-01341	GASKET, HEAD 0.5	1							
6	1	114699-01380	O-RING	1							
7	1	114299-01600	PIN, 8X12	2							
8	1	114299-01800	SHIM SET	1							
19	1	114299-01830	COVER,(FO PUMP	1							
20	1	114250-01841	GASKET	1							
21	1	22312-040080	PARALLEL PIN, M4X8	2							
22	1	23875-020000	PLUG PT1/4,STEEL	1							
23	1	26226-060182	STUD M 6X 18 PLATED	1							
24	1	26226-060222	STUD M 6X 22 PLATED	2							
25	1	26366-060002	NUT M 6	3							
26	1	114699-01410	GASKET, CRANK CASE	1							
27	1	114310-01450	COVER(D, CRANK CASE	1							
30	2	114650-02100	BEARING, MAIN	1							1
32	1	114299-35150	PIPE, L.O. INLET	1							
33	1	26106-080352	BOLT M 8X 35 PLATED	16							
34	1	114299-01690	PLUG M16	2							
35	1	114699-01760	CAP ASSY, LO SUPPLY	2							
37	2	114299-01950	O-RING	2							
38	1	22190-160002	WASHER, 16	2							
39	1	114299-02030	RETAINER, BEARING	1							
40	1	114650-02150	BALL BEARING	1							
41	1	24162-152220	NEEDLE, 152220	1							
42	1	24423-355008	SEAL, OIL	1							
43	1	24423-355008	SEAL, OIL	1							
44	1	26106-080122	BOLT M 8X 12 PLATED	1							
45	1	114650-02200	MAIN BEARING US=0.25	1							2
46	1	114650-02210	MAIN BEARING US=0.50	1							3
47	1	121252-39450	SWITCH, OIL PRESSURE	1							

Remarks

(1)Repair part.

(2)Under sized(U.S.=0.25)parts.

(3)Under sized(U.S.=0.50)parts.

Fig.2. CYLINDER HEAD & BONNET

(A)=L100N5EJ1F1CAS5

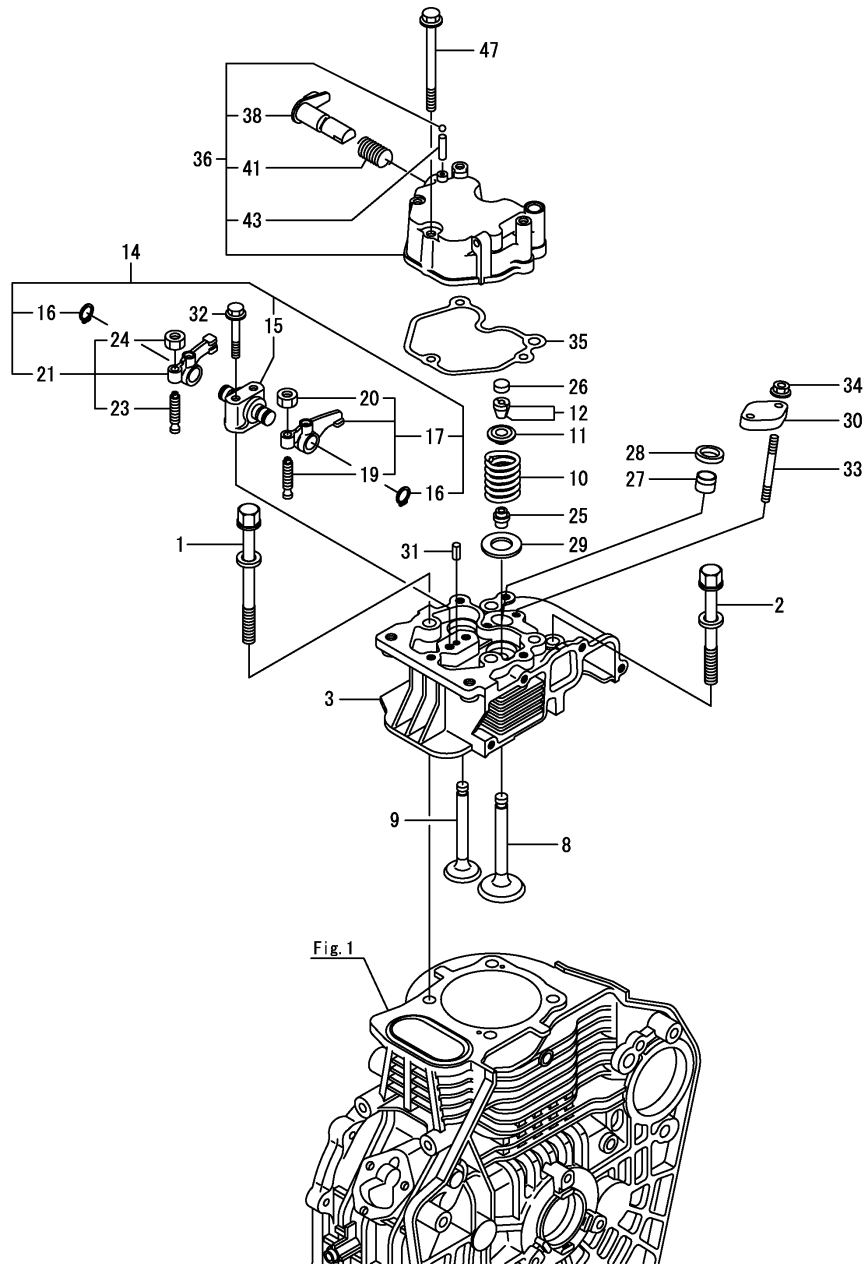
(B)=

(C)=

(D)=

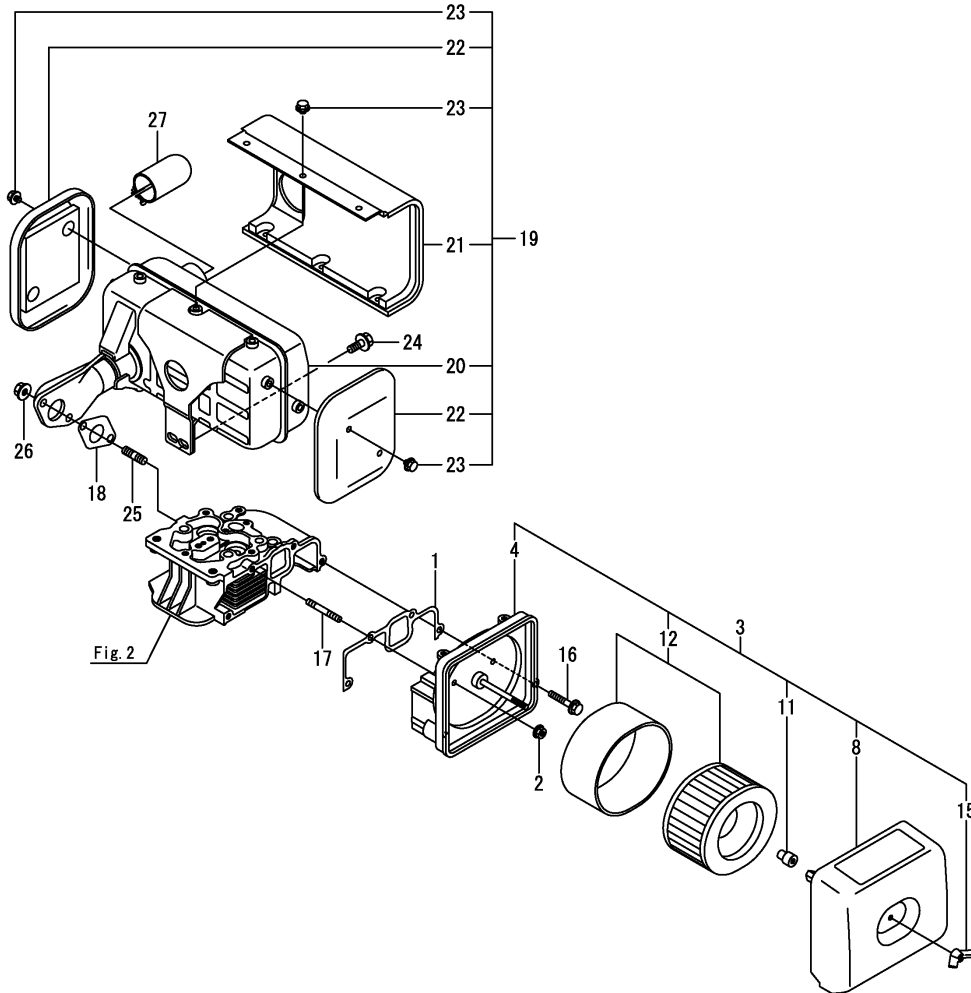
(E)=

(F)=



REF.	LEV.	PARTS NO.	DESCRIPTION	QTY						I	R
				(A)	(B)	(C)	(D)	(E)	(F)		
1	1	114310-01200	BOLT, CYL.HEAD A	2							
2	1	114310-01210	BOLT, CYL.HEAD B	2							
3	1	114320-11020	HEAD ASSY, CYLINDER	1							
8	1	114310-11100	VALVE, INTAKE	1							
9	1	114310-11110	VALVE, EXHAUST	1							
10	1	114310-11120	SPRING, VALVE	2							
11	1	114310-11180	RETAINER, SPRING	2							
12	1	114310-11930	COTTER ASSY	2							
14	1	114310-11250	SUPPORT ASSY, ROCKER	1							
15	2	114310-11260	SUPPORT, ROCKER ARM	1							
16	2	114310-11280	C TYPE RETAINING RIN	2							
17	2	114310-11650	ARM ASSY, INTAKE	1							
19	3	114299-11240	SCREW, ADJUSTING	1							
20	3	26856-060002	NUT, M6	1							
21	2	114310-11660	ARM ASSY, EXHAUST	1							
23	3	114299-11240	SCREW, ADJUSTING	1							
24	3	26856-060002	NUT, M6	1							
25	1	114650-11340	SEAL, VALVE STEM	2							
26	1	104211-11370	CAP, VALVE	2							
27	1	114240-11450	PROTECTOR, NOZZLE	1							
28	1	114240-11550	SEAT, NOZZLE	1							
29	1	114699-11600	WASHER	2							
30	1	114210-11901	RETAINER, NOZZLE	1							
31	1	22351-040008	SPRING PIN 4X 8	1							
32	1	26106-080502	BOLT M 8X 50 PLATED	2							
33	1	26226-060552	STUD M6X 55 PLATED	2							
34	1	26366-060002	NUT M 6	2							
35	1	114310-11310	GASKET, BONNET	1							
36	1	114310-11950	BONNET ASSY, HEAD	1							
38	2	114210-03590	DECOMPRESSION ASSY	1							
41	2	114299-03640	SPRING, DECOMP.	1							
43	2	22312-030160	PARALLEL PIN, M3X16	1							
47	1	26106-060652	BOLT M 6X 65 PLATED	3							

Fig.3. AIR CLEANER & MUFFLER



0CW10-G59600 3. AIR CLEANER & MUFFLER

(A)=L100N5EJ1F1CAS5

(B)=

(C)=

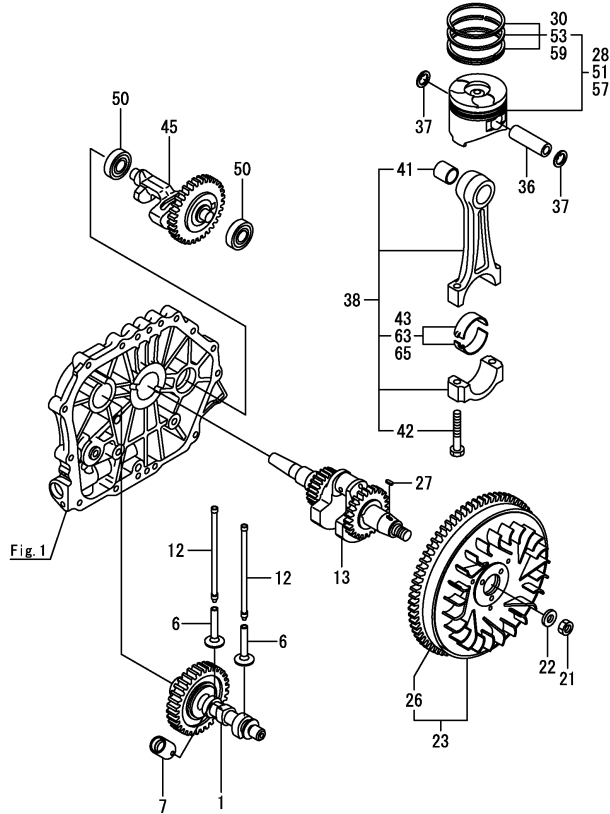
(D)=

(E)=

(F)=

REF.	LEV.	PARTS NO.	DESCRIPTION	QTY						I	R
				(A)	(B)	(C)	(D)	(E)	(F)		
1	1	114310-12210	GASKET, AIR CLEANER	1							
2	1	114299-12300	U-NUT	3							
3	1	114320-12550	CLEANER ASSY, AIR	1							
4	2	114310-12010	BODY ASSY, AIR CLNR	1							
8	2	114220-12500	COVER ASSY, AIR CLNR	1							
11	2	114210-12560	NUT, WING	1							
12	2	114210-12590	ELEMENT ASSY	1							
15	2	114210-12600	LOCKING KNOB	1							
16	1	26106-060402	BOLT M 6X 40 PLATED	1							
17	1	26226-060352	STUD M 6X 35 PLATED	3							
18	1	114310-13200	GASKET, MUFFLER	1							
19	1	11431C-13550	MUFFLER ASSY	1							
20	2	11431C-13560	MUFFLER	1							
21	2	11431C-13700	COVER, MUFFLER A	1							
22	2	11431C-13710	COVER, MUFFLER B	2							
23	2	11431C-13720	BOLT, M6X6 FLANGE	10							
24	1	26106-080202	BOLT M 8X 20 PLATED	2							
25	1	26216-080182	STUD M 8X 18 PLATED	2							
26	1	26366-080002	NUT M 8	2							
27	1	114699-13800	EXTENSION, EXH.	1							

Fig.4. CRANKSHAFT, PISTON & CAMSHAFT



OCW10-G59600 4. CRANKSHAFT, PISTON & CAMSHAFT

(A)=L100N5EJ1F1CAS5

(B)=

(C)=

(D)=

(E)=

(F)=

REF.	LEV.	PARTS NO.	DESCRIPTION	QTY						I	R
				(A)	(B)	(C)	(D)	(E)	(F)		
1	1	714320-14580	CAMSHAFT ASSY	1							
6	1	114310-14200	TAPPET	2							
7	1	114210-14300	TAPPET ASSY, ROLLER	1							
12	1	114310-14400	ROD ASSY, PUSH	2							
13	1	11431C-21740	CRANKSHAFT(E-DG CMP	1							
21	1	114699-21220	NUT	1							
22	1	114699-21550	WASHER, FLYWHEEL	1							
23	1	114699-21600	FLYWHEEL ASSY, DE	1							
26	2	114699-21630	RING, GEAR	1							
27	1	22512-050140	KEY, 5X14	1							
28	1	714320-22720	PISTON W/RINGS (D	1							
30	2	714310-22500	RING SET, PISTON	1							
36	1	114699-22300	PIN, PISTON	1							
37	1	129792-22400	CIRCLIP, 23	2							
38	1	71431C-23010	ROD ASSY, CONNECTING	1							
41	3	124060-23100	BUSH, PISTON PIN	1							
42	3	119810-23200	BOLT, CONNECTING ROD	2							
43	2	714650-23600	BEARING, CRANKPIN	1							
45	1	714310-28510	SHAFT ASSY, BALANCER	1							
50	1	24101-063040	BALL BEARING	2							
51	1	714320-22620	PISTON W/RING OS=.25	1							1
53	2	714310-22540	RING SET O.S.=0.25	1							1
57	1	714320-22580	PISTON W/RING .50OS	1							2
59	2	714310-22550	RING SET O.S.=0.50	1							2
63	1	714650-23610	BEARING,PIN(U.S.=0.25	1							3
65	1	714650-23620	BEARING,PIN(U.S.=0.50	1							4

Remarks

- (1)Over sized(U.S.=0.25)parts.
- (2)Over sized(U.S.=0.50)parts.
- (3)Under sized(U.S.=0.25)parts.
- (4)Under sized(U.S.=0.50)parts.

Fig.5. LUB.OIL PUMP & GOVERNOR

(A)=L100N5EJ1F1CAS5

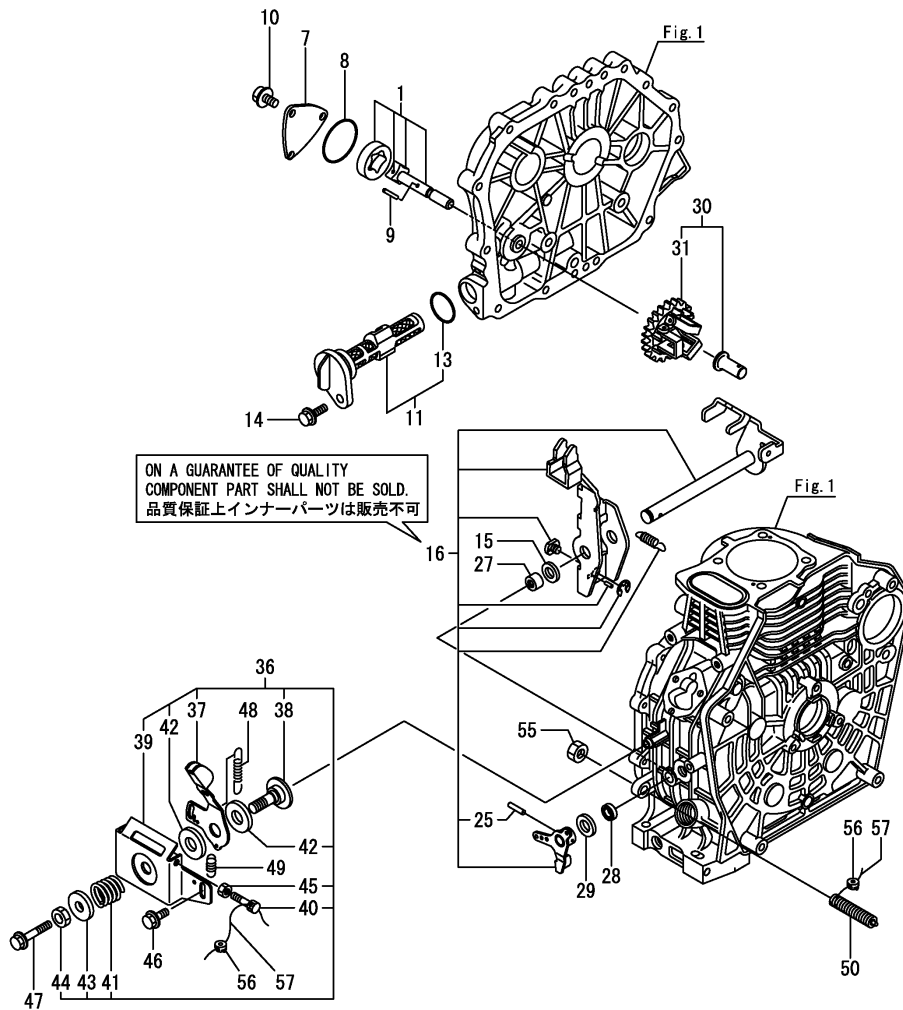
(B)=

(C)=

(D)=

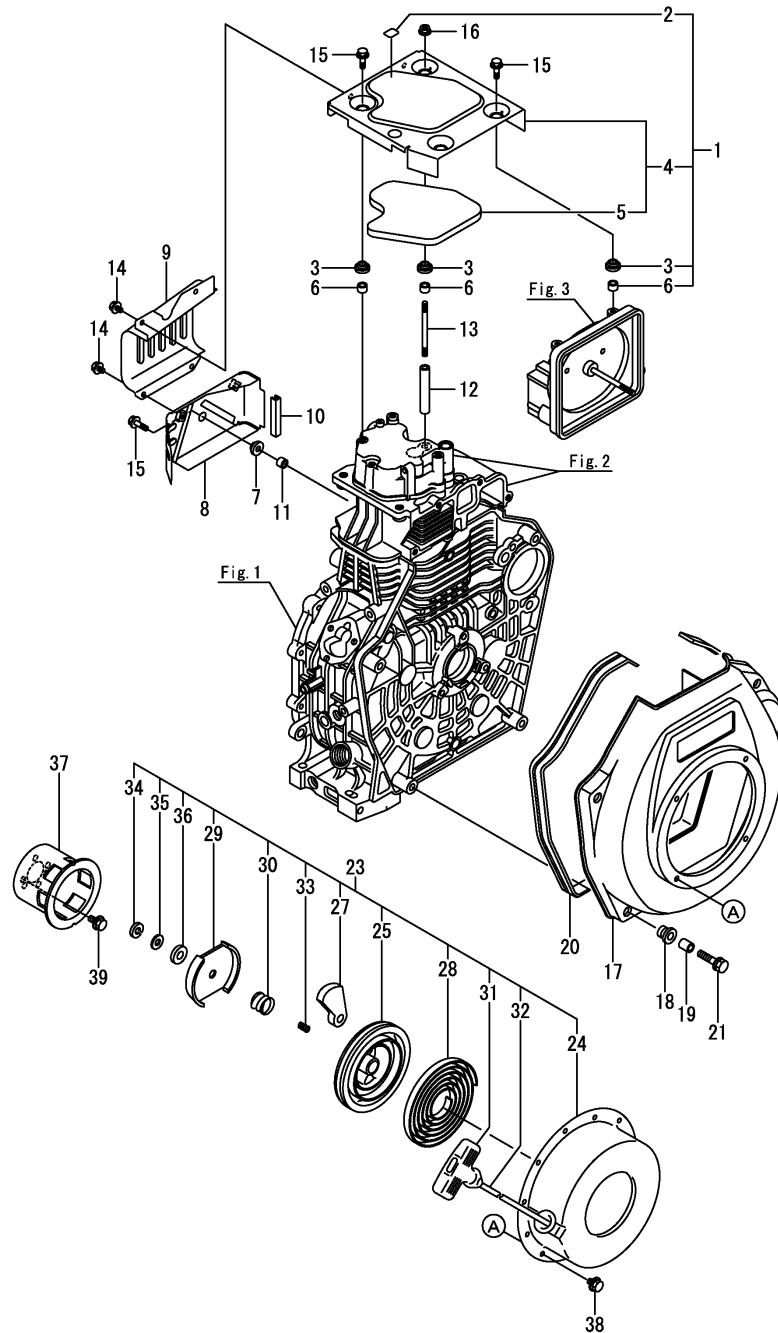
(E)=

(F)=



REF.	LEV.	PARTS NO.	DESCRIPTION	QTY						I	R
				(A)	(B)	(C)	(D)	(E)	(F)		
1	1	114650-32010	PUMP ASSY, LUB.OIL	1							
7	1	114299-32070	COVER, LUB. OIL PUMP	1							
8	1	114299-32570	O-RING, COVER	1							
9	1	22312-030160	PARALLEL PIN, M3X16	1							
10	1	26106-060122	BOLT M 6X 12 PLATED	3							
11	1	114299-35110	FILTER CMP, LUB.OIL	1							
13	2	24341-000224	O-RING 1A S-22.4	1							
14	1	26106-060162	BOLT M 6X 16 PLATED	1							
15	1	114299-61190	WASHER, GOVERNOR	1							
16	1	114311-61500	LEVER ASSY, GOVERNOR	1							
25	2	22322-030200	TAPER PIN, 3X20	1							
27	1	114770-61520	BEARING, NEEDLE	2							
28	1	114299-61600	SEAL, OIL	1							
29	1	114770-61610	WASHER, THRUST	1							
30	1	714210-61701	GOVERNOR ASSY	1							
31	2	114210-61290	WEIGHT ASSY, GOVERNOR	1							
36	1	114210-66550	BRACKET ASSY, HANDLE	1							
37	2	114210-66070	HANDLE, REGULATOR	1							
38	2	183250-66070	SHAFT, HANDLE	1							
39	2	114210-66400	BRACKET, HANDLE	1							
40	2	114250-66440	BOLT, ADJUSTING	1							
41	2	104200-66820	SPRING, HANDLE	1							
42	2	104200-66831	PLATE, FRICTION	2							
43	2	104200-66850	WASHER, B	1							
44	2	26696-100002	LOCK NUT M10	1							
45	2	26757-060002	NUT M 6	1							
46	1	26106-060142	BOLT M 6X 14 PLATED	1							
47	1	26106-060452	BOLT M 6X 45 PLATED	1							
48	1	114320-66010	SPRING, REGULATOR	1							
49	1	114299-66200	SPRING, RETURN	1							
50	1	114211-66600	LIMITER ASSY, FUEL	1							
55	1	26776-100002	LOCK NUT M10 PLATED	1							
56	1	114780-61090	TIN	2							
57	1	22451-060000	WIRE, 0.6	2							

Fig.6. COOLING & STARTING DEVICE



(A)=L100N5EJ1F1CAS5

(B)=

(C)=

(D)=

(E)=

(F)=

REF.	LEV.	PARTS NO.	DESCRIPTION	QTY						I	R
				(A)	(B)	(C)	(D)	(E)	(F)		
1	1	114320-45200	TOP COVER ASSY	1							
2	2	114220-07120	LABEL, DECOMPRESSION	1							
3	2	114299-45220	GROMMET, TANK	4							
4	2	114310-45300	COVER, TOP(BLACK)(13)	1							
5	3	114310-45310	DAMPER	1							
6	2	114399-45340	COLLAR, CYL COVER	4							
7	1	114299-45220	GROMMET, TANK	1							
8	1	114310-45260	COVER B, SIDE (13)	1							
9	1	114310-45270	COVER A, SIDE (13)	1							
10	1	114399-45320	RUBBER, SEAL	1							
11	1	114399-45340	COLLAR, CYL COVER	1							
12	1	114310-45350	SPACER, TOP COVER	1							
13	1	114310-45360	STUD BOLT, TOP COVER	1							
14	1	26106-060082	BOLT M 6X 8 PLATED	4							
15	1	26106-060202	BOLT M 6X 20 PLATED	4							
16	1	26366-060002	NUT M 6	1							
17	1	114310-45100-1	FAN CASE (GRAY)(2K)	1							
18	1	114299-45301	RUBBER, CUSHION	4							
19	1	114299-45310	COLLAR, FAN CASE	4							
20	1	114699-45331	SEAL, FAN CASE	1							
21	1	114299-45350	BOLT, FAN CASE	4							
23	1	114699-76251	RECOIL ASSY	1							
24	2	114699-76510	CASE, STARTER	1							
25	2	114699-76521	REEL, RECOIL	1							
27	2	114699-76531	RATCHET	2							
28	2	114399-76540	SPRING, SPIRAL	1							
29	2	114699-76551	GUIDE, RATCHET	1							
30	2	114699-76560	SPRING, FRICTION	1							
31	2	114399-76620	KNOB, STARTER	1							
32	2	114699-76630	ROPE, STARTER	1							
33	2	114699-76650	SPRING, RETURN	1							
34	2	114699-76660	RETAINING RING	1							
35	2	114699-76670	WASHER	1							
36	2	114699-76680	WASHER IN NYLON	1							
37	1	114699-76592	PULLEY, STARTER	1							
38	1	26106-060082	BOLT M 6X 8 PLATED	4							
39	1	26106-060122	BOLT M 6X 12 PLATED	3							

Fig.7. F.I.PUMP & F.I.VALVE

(A)=L100N5EJ1F1CAS5

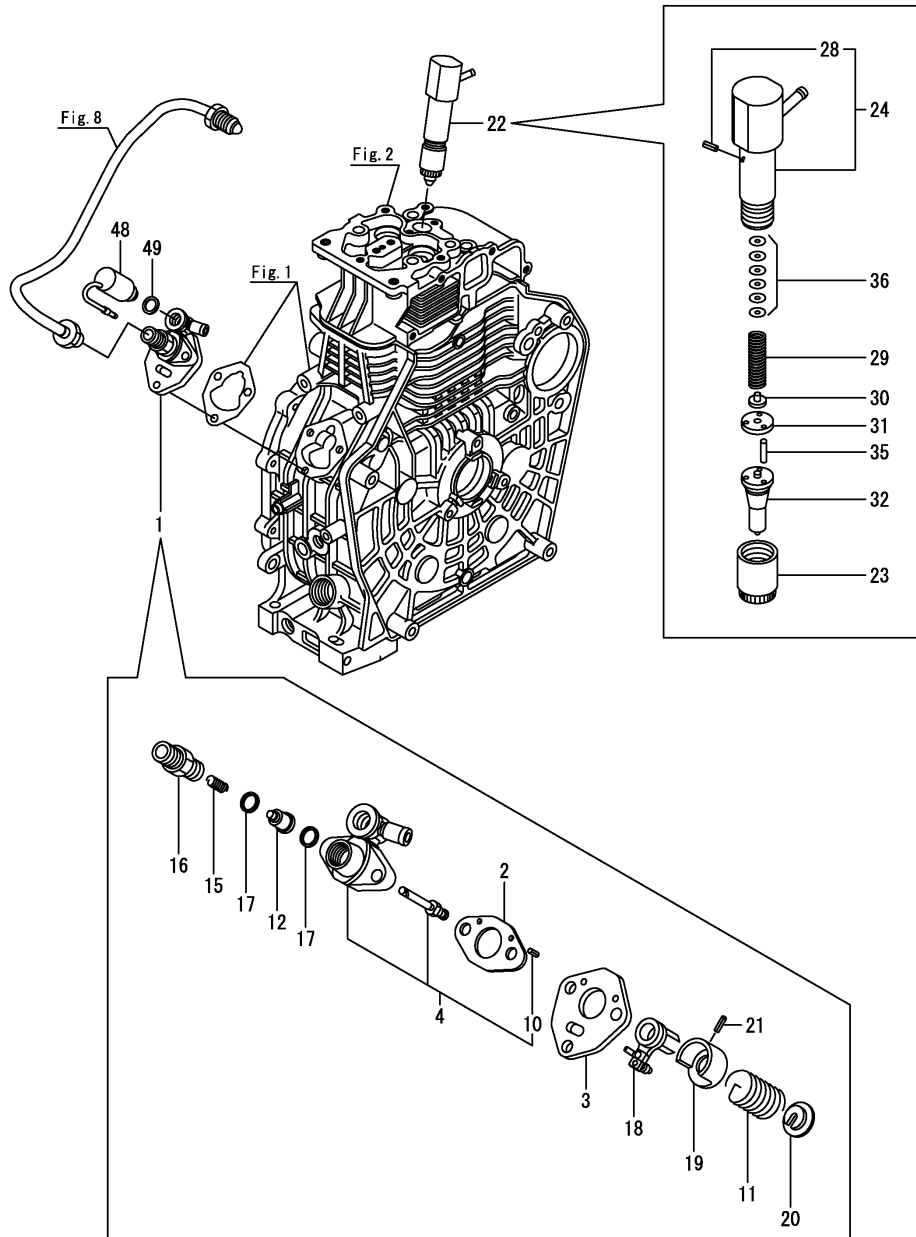
(B)=

(C)=

(D)=

(E)=

(F)=



REF.	LEV.	PARTS NO.	DESCRIPTION	QTY						I	R
				(A)	(B)	(C)	(D)	(E)	(F)		
1	1	714339-51310	F.I.PUMP ASSY	1							
2	2	105546-51020	GASKET	1							
3	2	114250-51080	PLATE	1							
4	2	114339-51200	BODY ASSY, PUMP	1							
10	4	22351-020006	SPRING PIN 2X 6	2							
11	2	114250-51160	SPRING, PLUNGER	1							
12	2	114650-51300	VALVE ASSY, DELIVERY	1							
15	2	105546-51330	SPRING, DELIVERY	1							
16	2	114250-51340	HOLDER, DELIVERY	1							
17	2	124550-51350	GASKET, DELIVERY	2							
18	2	114250-51600	LEVER ASSY, CONTROL	1							
19	2	114250-51640	SEAT, SPRING A	1							
20	2	114250-51650	SEAT, SPRING B	1							
21	2	22351-030008	SPRING PIN 3X 8	1							
22	1	714339-53200	FUEL INJECTOR	1							
23	2	114250-53080	NUT, CASE	1							
24	2	114339-53100	HOLDER ASSY, NOZZLE	1							
28	3	22351-025005	SPRING PIN 2.5AX 6	1							
29	2	114250-53120	SPRING, NOZZLE	1							
30	2	114250-53130	SEAT, SPRING	1							
31	2	114250-53140	PLATE, STOP	1							
32	2	114339-53200	NOZZLE ASSY	1							
35	2	114250-53210	PIN	2							
36	2	114250-53400	SHIM SET	1							
48	1	114110-76900	VALVE ASSY, F/O CUT	1							
49	1	114299-83020	GASKET, 10X1.2	1							

Fig.8. FUEL TANK & FUEL PIPE

(A)=L100N5EJ1F1CAS5

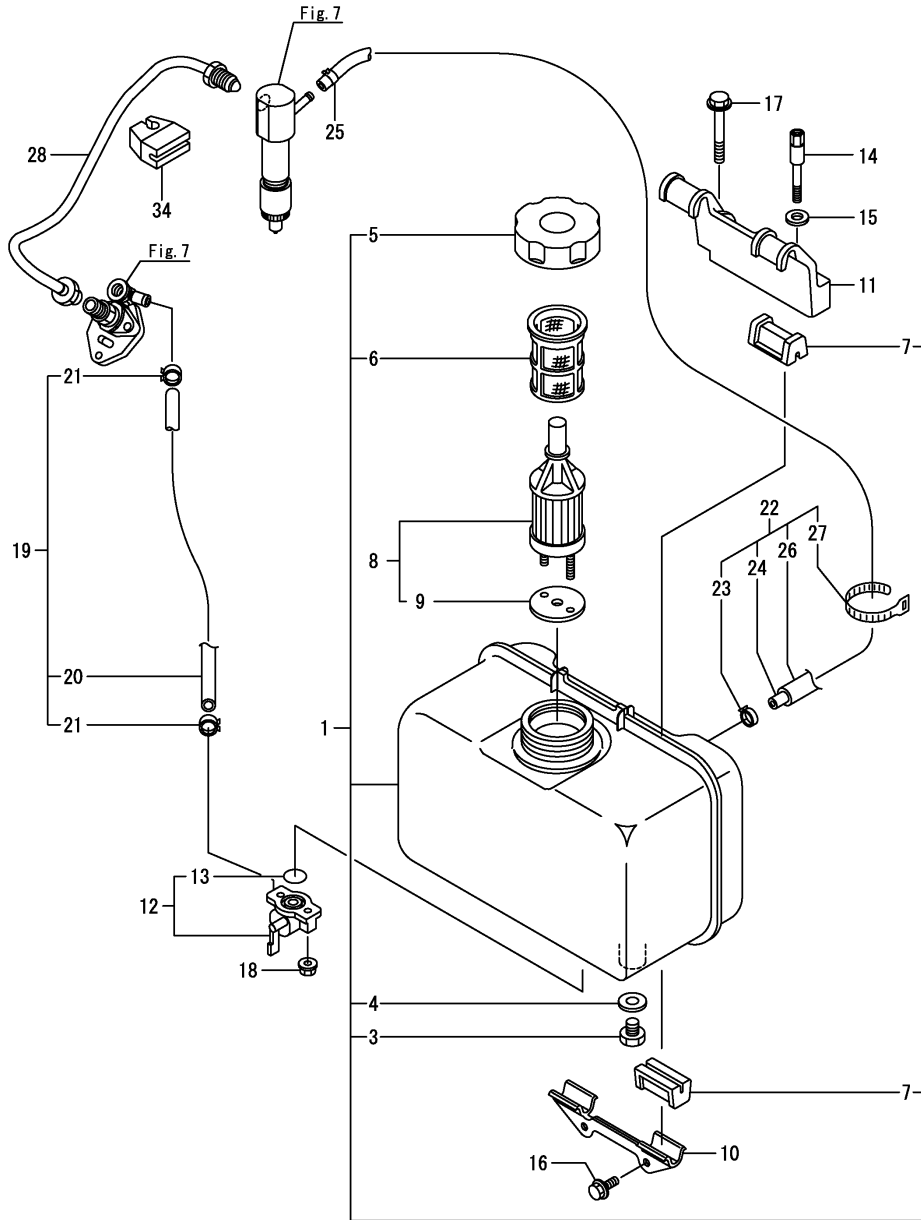
(B)=

(C)=

(D)=

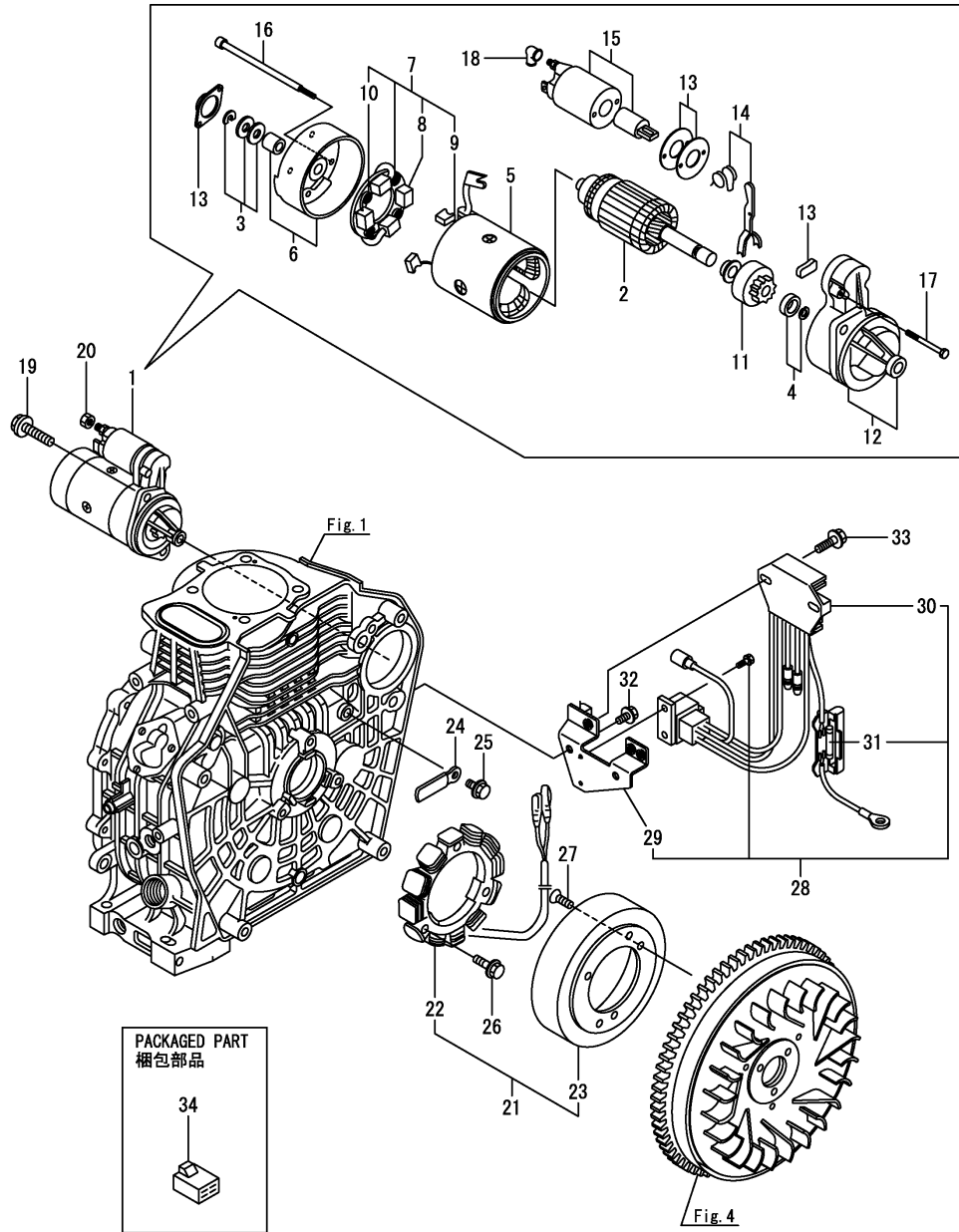
(E)=

(F)=



REF.	LEV.	PARTS NO.	DESCRIPTION	QTY						I	R
				(A)	(B)	(C)	(D)	(E)	(F)		
1	1	11431C-55710	TANK ASSY,FUEL(BLACK	1							
3	3	114299-55080	PLUG, DRAIN	1							
4	3	23414-080000	GASKET 8, ROUND	1							
5	2	114299-55040	CAP ASSY, FUEL TANK	1							
6	2	114299-55100	FILTER, FUEL OIL	1							
7	2	114250-55201	DAMPER, FUEL TANK	4							
8	1	114250-55121	FILTER ASSY, FUEL	1							
9	2	114250-55130	GASKET	1							
10	1	114210-55210	STAY A, FUEL TANK	1							
11	1	114310-55230	STAY B, FUEL TANK	1							
12	1	114250-55301	COCK ASSY, FUEL	1							
13	2	24341-000150	O-RING 1A S-15.0	1							
14	1	114210-55810	BOLT, LIFTING	1							
15	1	22117-080000	WASHER 8	1							
16	1	26106-060162	BOLT M 6X 16 PLATED	2							
17	1	26106-080452	BOLT M 8X 45 PLATED	1							
18	1	26366-060002	NUT M 6	2							
19	1	114780-59010	PIPE ASSY, FUEL OIL	1							
20	2	114780-59060	PIPE, FUEL OIL	1							
21	2	23080-014000	CLAMP 14	2							
22	1	114339-59300	PIPE ASSY, RETURN	1							
23	2	124722-59050	CLIP, HOSE	1							
24	2	114310-59060	PIPE, FUEL RETURN	1							
25	2	124066-59100	CLIP, HOSE	1							
26	2	114310-59310	HOSE, PROTECT	1							
27	2	121750-59890	CLAMP 140	1							
28	1	114310-59800	PIPE ASSY, INJECTION	1							
34	1	114699-59850	SUPPORT, PIPE	1							

Fig.9. STARTING MOTOR & DYNAMO



(A)=L100N5EJ1F1CAS5

(B)=

(C)=

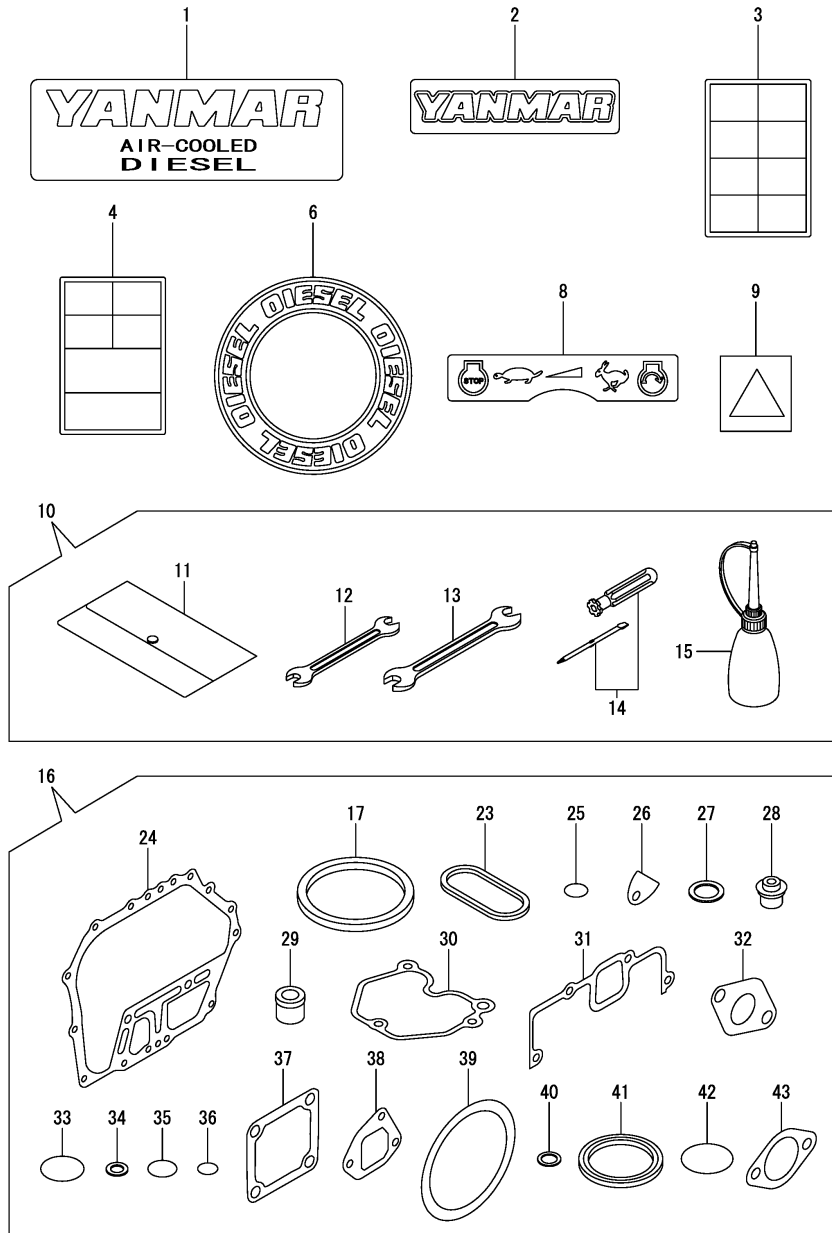
(D)=

(E)=

(F)=

REF.	LEV.	PARTS NO.	DESCRIPTION	QTY						I	R
				(A)	(B)	(C)	(D)	(E)	(F)		
1	1	114362-77011	STARTER(HITACHI 12V	1							
2	2	114381-77110	ARMATURE	1							
3	2	X2114811000	WASHER KIT, THRUST	1							
4	2	X2114715500	STOPPER SET, PINION	1							
5	2	114381-77130	COIL ASSY, FIELD	1							
6	2	114381-77140	COVER, REAR	1							
7	2	114371-77160	HOLDER ASSY, BRUSH	1							
8	3	114371-79040	BRUSH (-)	2							
9	3	114371-79050	BRUSH (+)	1							
10	3	114371-79060	SPRING, BRUSH	4							
11	2	X211485016	PINION ASSY	1							
12	2	114381-77151	HOUSING ASSY, GEAR	1							
13	2	114371-77170	COVER KIT, DUST	1							
14	2	114371-77180	SHIFT LEVER KIT	1							
15	2	124298-77020	SWITCH, MAGNET	1							
16	2	124195-77770	THROUGH BOLT	2							
17	2	114371-79070	BOLT M 6X 37	2							
18	2	X2114274200	COVER, TERMINAL	1							
19	1	26106-100302	BOLT M10X 30 PLATED	2							
20	1	26716-080002	NUT M 8	1							
21	1	114399-78280	DINAMO ASSY, 15A	1							
22	2	114399-78770	STATOR ASSY	1							
23	2	114399-78780	WHEEL, DYNAMO	1							
24	1	160710-78710	CLAMP, CORD	1							
25	1	26106-060122	BOLT M 6X 12 PLATED	1							
26	1	26106-060202	BOLT M 6X 20 PLATED	3							
27	1	26577-060142	SCREW M 6X 14	3							
28	1	114399-77560	REG. & HARNESS ASSY	1							
29	2	114399-77410	BRACKET, HARNESS	1							
30	2	114399-77720	REGIYURATA	1							
31	3	114399-78000	FUSE(20A	1							
32	1	26106-060122	BOLT M 6X 12 PLATED	2							
33	1	26106-060202	BOLT M 6X 20 PLATED	2							
34	1	114351-77520	JOINT	1							

Fig.10. TOOL, LABEL & GASKET SET



Remarks
(1)Optional parts.

(A)=L100N5EJ1F1CAS5

(B)=

(C)=

(D)=

(E)=

(F)=

REF.	LEV.	PARTS NO.	DESCRIPTION	QTY						I	R
				(A)	(B)	(C)	(D)	(E)	(F)		
1	1	114299-07100	LABEL, YANMAR MARK A	1							
2	1	114299-07110	LABEL, YANMAR	1							
3	1	114220-07100	LABEL, CAUTION	1							
4	1	114220-07110	LABEL HOW TO START-E	1							
6	1	114299-07160	LABEL, DIESEL	1							
8	1	114220-07140	LABEL, CONTROL	1							
9	1	114220-07130		1							
10	1	114299-92590	TOOL ASSY	1							
11	2	114299-92600	TOOL BAG	1							
12	2	114299-92710	SPANNA	1							
13	2	114299-92720	SPANNA	1							
14	2	114299-92730	DRIVER	1							
15	2	114299-92740	FITTING, FUEL	1							
16	1	114320-92600	GASKET SET(NON-ASB.)	1							1
17	2	114695-01330	GASKET ASSY,CYL.HEAD	1							
23	2	114699-01380	O-RING, TAPPET	1							
24	2	114699-01410	GASKET, CRANK COVER	1							
25	2	114299-01950	O-RING	2							
26	2	114250-01841	GASKET	1							
27	2	22190-160002	WASHER, SEAL 16	2							
28	2	114650-11340	SEAL, VALVE STEM	2							
29	2	114771-11461	GASKET, NOZZLE	1							
30	2	114310-11310	GASKET, BONNET	1							
31	2	114310-12210	GASKET, AIR CLEANER	1							
32	2	114310-13200	GASKET, MUFFLER	1							
33	2	114299-32570	O-RING, PUMP COVER	1							
34	2	23414-080000	GASKET 8, ROUND	1							
35	2	24341-000224	O-RING 1A S-22.4	1							
36	2	24341-000150	O-RING 1A S-15.0	2							
37	2	129100-77510	GASKET, AIR HEATER	3							
38	2	114699-12210	GASKET, AIR CLEANER	2							
39	2	114399-21980	GASKET	1							
40	2	23414-120000	GASKET, 12 X 1.0	1							
41	2	160393-55050	GASKET, TANK CAP	4							
42	2	24311-000400	O-RING 1A P-40.0	1							
43	2	183671-13211	GASKET, EXH.PIPE	1							

Part Number Index

All parts are stipulated in the order of part numbers.

(Depending on the area in which the part is used.)

This index will display the location of the part according to each part number.

PARTS No. INDEX

PARTS No.	Fig.	Ref.No.
104200-66820	5	41
104200-66831	5	42
104200-66850	5	43
104211-11370	2	26
105546-51020	7	2
105546-51330	7	15
114110-76900	7	48
114210-03590	2	38
114210-11901	2	30
114210-12560	3	11
114210-12590	3	12
114210-12600	3	15
114210-14300	4	7
114210-55210	8	10
114210-55810	8	14
114210-61290	5	31
114210-66070	5	37
114210-66400	5	39
114210-66550	5	36
114211-66600	5	50
114220-07100	10	3
114220-07110	10	4
114220-07120	6	2
114220-07130	10	9
114220-07140	10	8
114220-12500	3	8
114240-11450	2	27
114240-11550	2	28
114250-01841	1	20
	10	26
114250-51080	7	3
114250-51160	7	11
114250-51340	7	16
114250-51600	7	18
114250-51640	7	19
114250-51650	7	20
114250-53080	7	23
114250-53120	7	29
114250-53130	7	30
114250-53140	7	31
114250-53210	7	35
114250-53400	7	36
114250-55121	8	8
114250-55130	8	9
114250-55201	8	7
114250-55301	8	12
114250-66440	5	40
114299-01600	1	7
114299-01690	1	34
114299-01800	1	8

PARTS No.	Fig.	Ref.No.
114299-01830	1	19
114299-01950	1	37
	10	25
114299-02030	1	39
114299-03640	2	41
114299-07100	10	1
114299-07110	10	2
114299-07160	10	6
114299-11240	2	19
		23
114299-12300	3	2
114299-32070	5	7
114299-32570	5	8
	10	33
114299-35110	5	11
114299-35150	1	32
114299-45220	6	3
		7
114299-45301	6	18
114299-45310	6	19
114299-45350	6	21
114299-55040	8	5
114299-55080	8	3
114299-55100	8	6
114299-61190	5	15
114299-61600	5	28
114299-66200	5	49
114299-83020	7	49
114299-92590	10	10
114299-92600	10	11
114299-92710	10	12
114299-92720	10	13
114299-92730	10	14
114299-92740	10	15
114310-01020	1	1
114310-01200	2	1
114310-01210	2	2
114310-01450	1	27
114310-11100	2	8
114310-11110	2	9
114310-11120	2	10
114310-11180	2	11
114310-11250	2	14
114310-11260	2	15
114310-11280	2	16
114310-11310	2	35
	10	30
114310-11650	2	17
114310-11660	2	21
114310-11930	2	12

PARTS No.	Fig.	Ref.No.
114310-11950	2	36
114310-12010	3	4
114310-12210	3	1
	10	31
114310-13200	3	18
	10	32
114310-14200	4	6
114310-14400	4	12
114310-45100-1	6	17
114310-45260	6	8
114310-45270	6	9
114310-45300	6	4
114310-45310	6	5
114310-45350	6	12
114310-45360	6	13
114310-55230	8	11
114310-59060	8	24
114310-59310	8	26
114310-59800	8	28
114311-61500	5	16
11431C-13550	3	19
11431C-13560	3	20
11431C-13700	3	21
11431C-13710	3	22
11431C-13720	3	23
11431C-21740	4	13
11431C-55710	8	1
114320-11020	2	3
114320-12550	3	3
114320-45200	6	1
114320-66010	5	48
114320-92600	10	16
114339-51200	7	4
114339-53100	7	24
114339-53200	7	32
114339-59300	8	22
114351-77520	9	34
114362-77011	9	1
114371-77160	9	7
114371-77170	9	13
114371-77180	9	14
114371-79040	9	8
114371-79050	9	9
114371-79060	9	10
114371-79070	9	17
114381-77110	9	2
114381-77130	9	5
114381-77140	9	6
114381-77151	9	12
114399-21980	10	39

PARTS No.	Fig.	Ref.No.
114399-45320	6	10
114399-45340	6	6
		11
114399-76540	6	28
114399-76620	6	31
114399-77410	9	29
114399-77560	9	28
114399-77720	9	30
114399-78000	9	31
114399-78280	9	21
114399-78770	9	22
114399-78780	9	23
114650-02100	1	30
114650-02150	1	40
114650-02200	1	45
114650-02210	1	46
114650-11340	2	25
	10	28
114650-32010	5	1
114650-51300	7	12
114695-01330	10	17
114695-01341	1	5
114699-01380	1	6
	10	23
114699-01410	1	26
	10	24
114699-01760	1	35
114699-11600	2	29
114699-12210	10	38
114699-13800	3	27
114699-21220	4	21
114699-21550	4	22
114699-21600	4	23
114699-21630	4	26
114699-22300	4	36
114699-45331	6	20
114699-59850	8	34
114699-76251	6	23
114699-76510	6	24
114699-76521	6	25
114699-76531	6	27
114699-76551	6	29
114699-76560	6	30
114699-76592	6	37
114699-76630	6	32
114699-76650	6	33
114699-76660	6	34
114699-76670	6	35
114699-76680	6	36
114770-61520	5	27

PARTS No. INDEX

PARTS No.	Fig.	Ref.No.
114770-61610	5	29
114771-11461	10	29
114780-59010	8	19
114780-59060	8	20
114780-61090	5	56
119810-23200	4	42
121252-39450	1	47
121750-59890	8	27
124060-23100	4	41
124066-59100	8	25
124195-77770	9	16
124298-77020	9	15
124550-51350	7	17
124722-59050	8	23
129100-77510	10	37
129792-22400	4	37
160393-55050	10	41
160710-78710	9	24
183250-66070	5	38
183671-13211	10	43
714210-61701	5	30
714310-22500	4	30
714310-22540	4	53
714310-22550	4	59
714310-28510	4	45
71431C-23010	4	38
714320-14580	4	1
714320-22580	4	57
714320-22620	4	51
714320-22720	4	28
714339-51310	7	1
714339-53200	7	22
714650-23600	4	43
714650-23610	4	63
714650-23620	4	65
X2114274200	9	18
X2114715500	9	4
X2114811000	9	3
X211485016	9	11

PARTS No.	Fig.	Ref.No.
-----------	------	---------

PARTS No.	Fig.	Ref.No.
-----------	------	---------

PARTS No.	Fig.	Ref.No.
-----------	------	---------



YANMAR CO., LTD.



PARTS CATALOG

Published

2011/5 (May.)

0CR10-G82800

P R E F A C E

1. This Parts Catalog carries all parts incorporated in YANMAR Model L100N5EJ1T1CAGS engine manufactured since May, 2011.
2. Each illustration corresponds to the parts list on the following page.
3. When ordering parts, clearly write down the engine model and serial number, as well as the name and number of each part in your order sheet. This will help insure reliable delivery of the parts you have ordered.

Directions for the Parts Catalog.

1. The parts stipulated in this Parts Catalog are not necessarily standard equipped parts.
2. Parts may change without prior notice.
3. The following is an example of the Parts Catalog format.

REF.	LEV.	PARTS NO.	DESCRIPTION	Q'TY						I	R
				(A)	(B)	(C)	(D)	(E)	(F)		
1	1	729595-51390	FUEL INJECTION PUMP	1	1	1	1	1			1
1-1	1	729595-51391	FUEL INJECTION PUMP	1	1	1	1	1		N	1
		(A=E00185) (B=E00200)									
3	2	26022-060162	SCREW M 6X 16	9	9	9	9	9			
3-1	2	26022-060162	SCREW M 6X 16	4	4	4	4	4		K	
		(A=E00156) (B=E00156) (C=E00156) (D=E00156) (E=E00156)									
4	2	129470-51040	CAMSHAFT	1	1	1	1	1			
5	2	122710-51050	BEARING, ROLLER	2	2	2	2	2			
6	2	129470-51060	RETAINER	1	1	1	1	1			

Remarks
(1) BOOST COMPEMSATOR TYPE. OPTIONAL PART, TO E00155,(4JH-DT, 4JH-DTZ

① Ref. No.

The Ref. No. listed may not be in accordance with the illustration Ref. No.

(Ex.) Illustration No.

List Ref No.

1

1

(Before change)

1-1

(After change)

For interchangeable symbols N, R and K, illustrations for new parts may be abbreviated.

② Lev. (Level)

Level indication

The numbers below indicate the level of relativity towards the main part.

1 ----- Main parts (Assembly parts)

2 ----- Sub component included in " 1 ".

3 ----- Sub component included in " 2 ".

Note) Parts that are not for sale are partially illustrated but not listed.

③ Interchangeability Mark

When a part change takes place, one of the following interchangeability symbols is indicated beside the part.

Symbol	Interchangeability	Contents note
N	Old $\begin{matrix} \leftarrow \text{Yes} \\ \text{No} \rightarrow \end{matrix}$ New	New Part is interchangeable for Old Part but Old Part is not interchangeable for New Part.
Q	Old $\begin{matrix} \leftarrow \text{No} \\ \text{Yes} \rightarrow \end{matrix}$ New	New Part is not interchangeable for Old Part but Old Part is interchangeable for New Part.
R	Old $\begin{matrix} \leftarrow \text{Yes} \\ \text{Yes} \rightarrow \end{matrix}$ New	New/ Old Parts are both interchangeable.
S	Old $\begin{matrix} \leftarrow \text{No} \\ \text{No} \rightarrow \end{matrix}$ New	New/ Old Parts are both not interchangeable.
W		Part newly added.
Z		Part discontinued.
F		Not interchangeable by a single part but interchangeable together with related parts.
K		Changes only for used parts quantities.

④ Effective Machine No.

When a part changes, the effective Machine No. will be indicated in the (A)-(F) column.

Product Symbol	Product No.	Product Symbol	Product No.
C	Clutch No. Compressor No.	F	Machine No. (Agricultural Equip.)
D	Drive No.	M	Machine No.
E	Engine No.		

Note 1) A date may follow the symbol. (Ex.) 1996.01

Note 2) "XXXXX" and "ZZZZZ" are for parts that could not be predicted or for engine models that could not be identified.

Note 3) (A=E00185) is the E (Engine Serial Number) for the column (A) model (in this case 4JH-DT) after the parts design change.

⑤ Remarks Mark

Figures or alphabets (symbols) are entered in the remarks column.

The comments (remarks) on parts that are indicated at the bottom of the illustration are the same symbols as those stated above.

CONTENTS

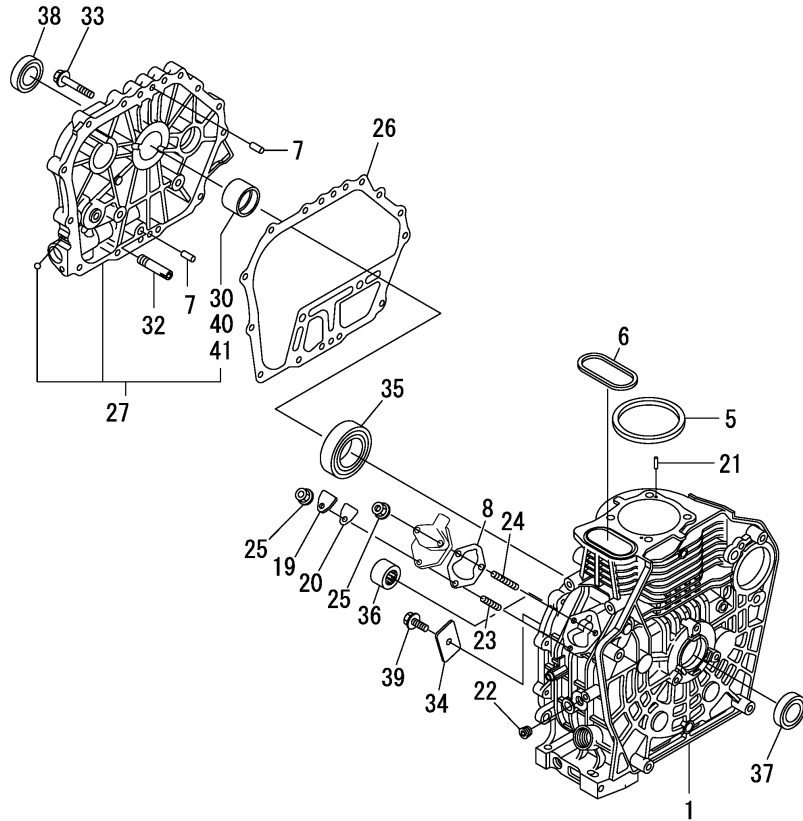
MODEL : L100N5EJ1T1CAGS

PC NO : 0CR10-G82800

Fig.No.	GROUP NAME
L100N5EJ1T1CAGS	
1.	CYLINDER BLOCK
2.	DRAIN PLUG
3.	LABEL
4.	CYLINDER HEAD & BONNET
5.	AIR CLEANER
6.	EXHAUST MUFFLER
7.	CAMSHAFT
8.	CRANKSHAFT
9.	FLYWHEEL
10.	PISTON & CONNECTING ROD
11.	BALANCER SHAFT
12.	LUB.OIL PUMP & GOVERNOR
13.	OIL PRESSURE SWITCH
14.	COVER
15.	COOLING FAN CASE
16.	F.I.PUMP & F.I.VALVE
17.	FUEL TANK & FUEL PIPE
18.	SPEED CONTROL DEVICE
19.	RECOIL STARTER
20.	STARTING MOTOR
21.	ELECTRICAL EQUIPMENT
22.	DYNAMO
23.	ACCESSORIES
24.	TOOL & GASKET SET

Fig.No. GROUP NAME

Fig.1. CYLINDER BLOCK



OCR10-G82800 1. CYLINDER BLOCK

(A)=L100N5EJ1T1CAGS

(B)=

(C)=

(D)=

(E)=

(F)=

REF.	LEV.	PARTS NO.	DESCRIPTION	Q'TY						I	R
				(A)	(B)	(C)	(D)	(E)	(F)		
1	1	114310-01020	BLOCK ASSY, CYLINDER	1							
5	1	114695-01341	GASKET, HEAD 0.5	1							
6	1	114699-01380	O-RING	1							
7	1	114299-01600	PIN, 8X12	2							
8	1	114299-01800	SHIM SET	1							
19	1	114299-01830	COVER,(FO PUMP	1							
20	1	114250-01841	GASKET, COVER	1							
21	1	22312-040080	PARALLEL PIN, M4X8	2							
22	1	23875-020000	PLUG PT1/4,STEEL	1							
23	1	26226-060182	STUD M 6X 18 PLATED	1							
24	1	26226-060222	STUD M 6X 22 PLATED	2							
25	1	26366-060002	NUT M 6	3							
26	1	114699-01410	GASKET, CRANK CASE	1							
27	1	114310-01450	COVER(D, CRANK CASE	1							
30	2	114650-02100	BEARING, MAIN	1							1
32	1	114299-35150	PIPE, L.O. INLET	1							
33	1	26106-080352	BOLT M 8X 35 PLATED	16							
34	1	114299-02030	RETAINER, BEARING	1							
35	1	114650-02150	BALL BEARING	1							
36	1	24162-152220	NEEDLE, 152220	1							
37	1	24423-355008	SEAL, OIL	1							
38	1	24423-355008	SEAL, OIL	1							
39	1	26106-080122	BOLT M 8X 12 PLATED	1							
40	1	114650-02200	MAIN BEARING US=0.25	1							2
41	1	114650-02210	MAIN BEARING US=0.50	1							3

Remarks

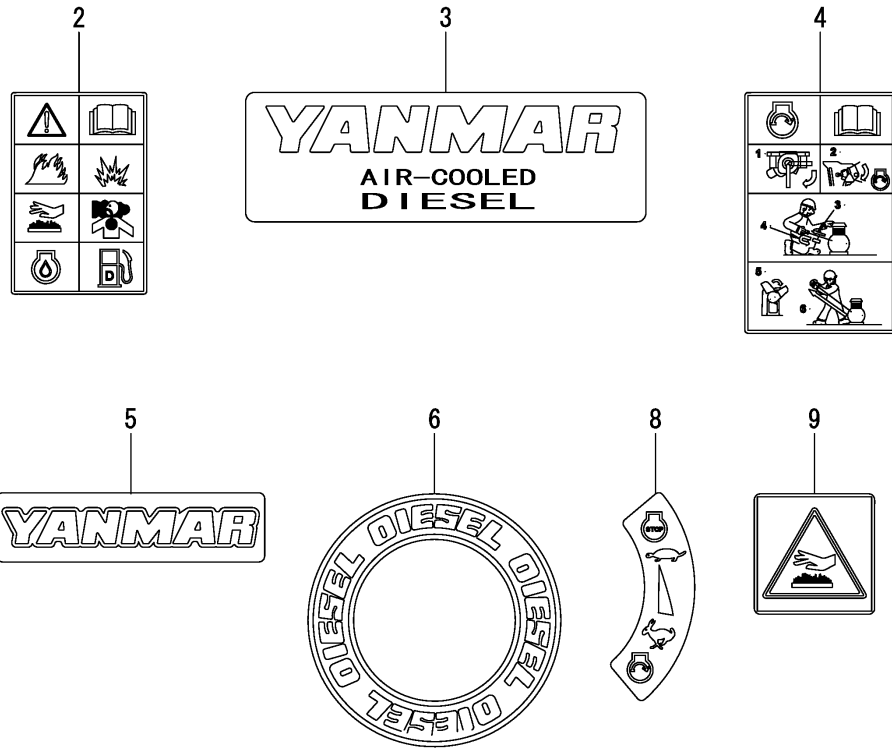
(1)Spare parts.

(2)Under sized(U.S.=0.25)parts.

(3)Under sized(U.S.=0.50)parts.

N:Old $\xrightarrow{\text{Yes}}$ New, Q:Old $\xrightarrow{\text{No}}$ New, R:Old $\xrightarrow{\text{Yes}}$ New, S:Old $\xrightarrow{\text{No}}$ New, W:Add, Z:Discontinued, F:Interchangeable by set, K:Q'ty Change

Fig.3. LABEL



(A)=L100N5EJ1T1CAGS

(B)=

(C)=

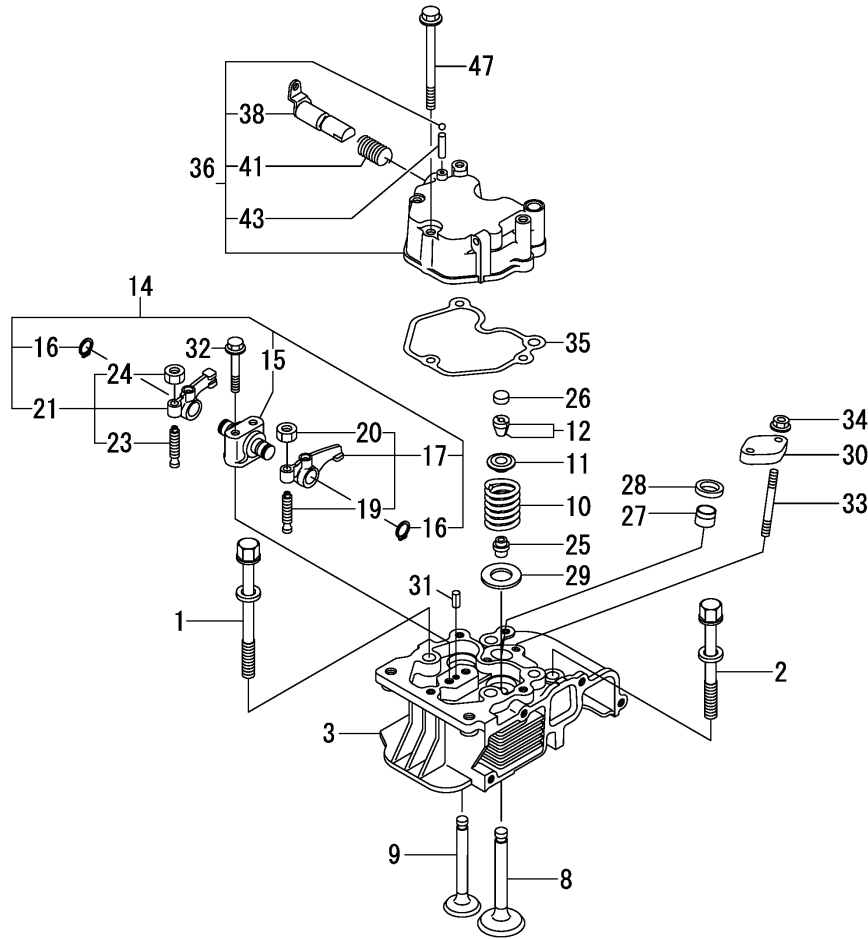
(D)=

(E)=

(F)=

REF.	LEV.	PARTS NO.	DESCRIPTION	QTY						I	R
				(A)	(B)	(C)	(D)	(E)	(F)		
2	1	114220-07100	LABEL, CAUTION	1							
3	1	114299-07100	LABEL, AIR COOLED	1							
4	1	114220-07110	LABEL HOW TO START-E	1							
5	1	114299-07110	LABEL, YANMAR	1							
6	1	114299-07160	LABEL, DIESEL	1							
8	1	114220-07160	LABEL, THAI	1							
9	1	114220-07130	LABEL, HOT SURFACE	1							

Fig.4. CYLINDER HEAD & BONNET



OCR10-G82800 4. CYLINDER HEAD & BONNET

(A)=L100N5EJ1T1CAGS

(B)=

(C)=

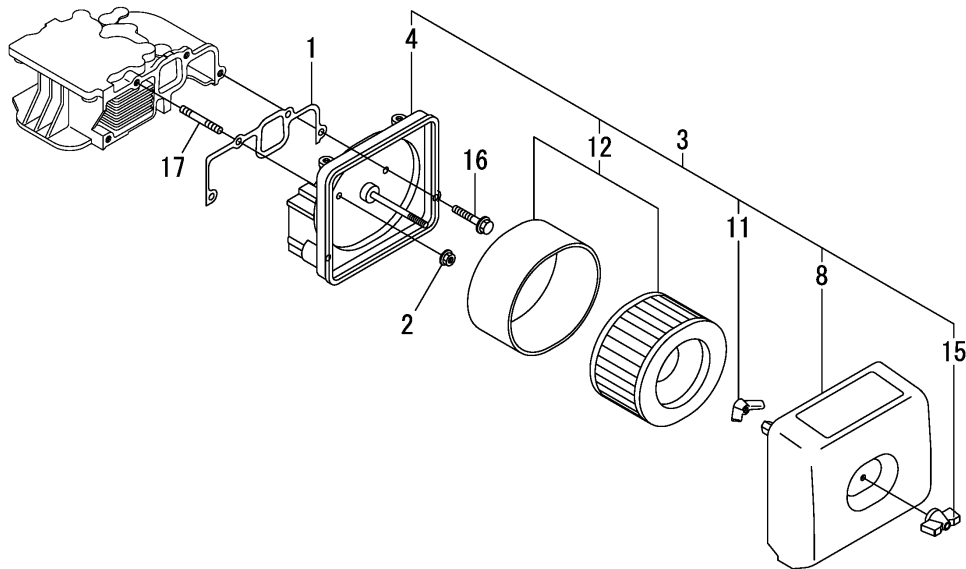
(D)=

(E)=

(F)=

REF.	LEV.	PARTS NO.	DESCRIPTION	Q'TY						I	R
				(A)	(B)	(C)	(D)	(E)	(F)		
1	1	114310-01200	BOLT, CYL.HEAD A	2							
2	1	114310-01210	BOLT, CYL.HEAD B	2							
3	1	11432C-11020	HEAD ASSY, CYLINDER	1							
8	1	11431C-11100	VALVE, INTAKE	1							
9	1	11431C-11110	VALVE, EXHAUST	1							
10	1	114310-11120	SPRING, VALVE	2							
11	1	114310-11180	RETAINER, SPRING	2							
12	1	114310-11930	COTTER ASSY	2							
14	1	11431C-11250	SUPPORT ASSY, ROCKER	1							
15	2	11431C-11260	SUPPORT, ROCKER ARM	1							
16	2	22242-000150	CIRCLIP 15	2							
17	2	11431C-11650	ARM ASSY, INTAKE	1							
19	3	114250-11240	SCREW, VALVE ADJUST.	1							
20	3	26856-060002	NUT, M6	1							
21	2	11431C-11660	ARM ASSY, EXHAUST	1							
23	3	114250-11240	SCREW, VALVE ADJUST.	1							
24	3	26856-060002	NUT, M6	1							
25	1	114650-11341	SEAL, VALVE STEM	2							
26	1	104211-11370	CAP, VALVE	2							
27	1	114240-11450	PROTECTOR, NOZZLE	1							
28	1	114240-11550	SEAT, NOZZLE	1							
29	1	114699-11600	WASHER	2							
30	1	114210-11901	RETAINER, NOZZLE	1							
31	1	22351-040008	SPRING PIN 4X 8	1							
32	1	114310-11290	BOLT, SUPPORT	2							
33	1	26226-060552	STUD M6X 55 PLATED	2							
34	1	26366-060002	NUT M 6	2							
35	1	114310-11310	GASKET, BONNET	1							
36	1	114310-11950	BONNET ASSY, HEAD	1							
38	2	114210-03590	DECOMPRESSION ASSY	1							
41	2	114299-03640	SPRING, DECOMP.	1							
43	2	22312-030160	PARALLEL PIN, M3X16	1							
47	1	26106-060652	BOLT M 6X 65 PLATED	3							

Fig.5. AIR CLEANER



OCR10-G82800 5. AIR CLEANER

(A)=L100N5EJ1T1CAGS

(B)=

(C)=

(D)=

(E)=

(F)=

REF.	LEV.	PARTS NO.	DESCRIPTION	Q'TY						I	R
				(A)	(B)	(C)	(D)	(E)	(F)		
1	1	114310-12210	GASKET, AIR CLEANER	1							
2	1	114299-12300	U-NUT	3							
3	1	114320-12550	CLEANER ASSY, AIR	1							
4	2	114310-12010	BODY ASSY, AIR CLNR	1							
8	2	114220-12500	COVER ASSY, AIR CLNR	1							
11	2	114210-12560	NUT, WING	1							
12	2	114210-12590	ELEMENT ASSY	1							
15	2	114210-12600	LOCKING KNOB	1							
16	1	26106-060402	BOLT M 6X 40 PLATED	1							
17	1	26226-060352	STUD M 6X 35 PLATED	3							

Fig.6. EXHAUST MUFFLER

(A)=L100N5EJ1T1CAGS

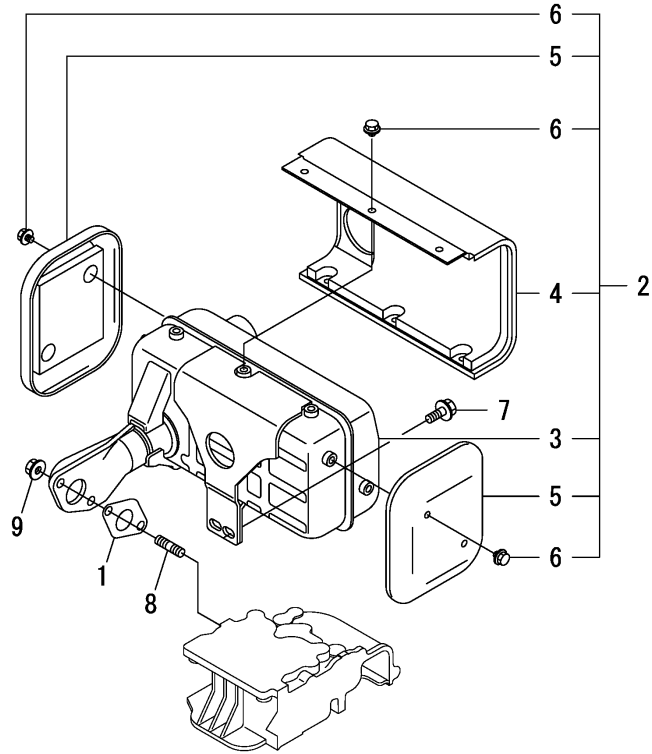
(B)=

(C)=

(D)=

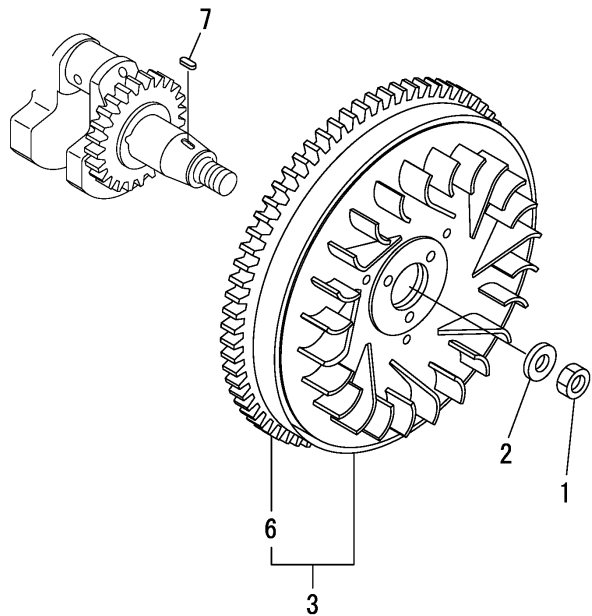
(E)=

(F)=



REF.	LEV.	PARTS NO.	DESCRIPTION	QTY						I	R
				(A)	(B)	(C)	(D)	(E)	(F)		
1	1	114310-13200	GASKET, MUFFLER	1							
2	1	11431C-13550	MUFFLER ASSY	1							
3	2	11431C-13560	MUFFLER	1							
4	2	11431C-13700	COVER, MUFFLER A	1							
5	2	11431C-13710	COVER, MUFFLER B	2							
6	2	11431C-13720	BOLT, M6X6 FLANGE	10							
7	1	26106-080202	BOLT M 8X 20 PLATED	2							
8	1	26216-080182	STUD M 8X 18 PLATED	2							
9	1	26366-080002	NUT M 8	2							

Fig.9. FLYWHEEL



OCR10-G82800 9. FLYWHEEL

(A)=L100N5EJ1T1CAGS

(B)=

(C)=

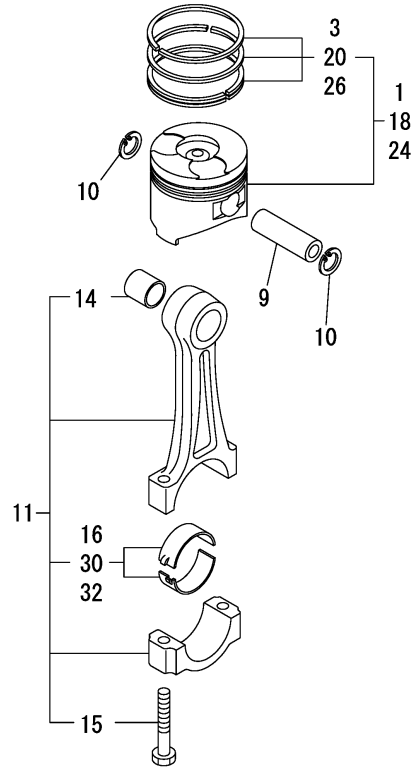
(D)=

(E)=

(F)=

REF.	LEV.	PARTS NO.	DESCRIPTION	Q'TY						I	R
				(A)	(B)	(C)	(D)	(E)	(F)		
1	1	114699-21220	NUT	1							
2	1	114699-21550	WASHER, FLYWHEEL	1							
3	1	114699-21600	FLYWHEEL ASSY, DE	1							
6	2	114699-21630	RING, GEAR	1							
7	1	22512-050140	KEY, 5X14	1							

Fig.10. PISTON & CONNECTING ROD



OCR10-G82800 10. PISTON & CONNECTING ROD

(A)=L100N5EJ1T1CAGS

(B)=

(C)=

(D)=

(E)=

(F)=

REF.	LEV.	PARTS NO.	DESCRIPTION	Q'TY						I	R
				(A)	(B)	(C)	(D)	(E)	(F)		
1	1	714320-22720	PISTON W/RINGS (D)	1							
3	2	714310-22500	RING SET, PISTON	1							
9	1	114699-22300	PIN, PISTON	1							
10	1	114310-22500	SEEGER RING, J23	2							
11	1	71431C-23010	ROD ASSY, CONNECTING	1							
14	2	124060-23100	BUSH, PISTON PIN	1							
15	2	114310-23200	BOLT, CONNECTING ROD	2							
16	2	714650-23600	BEARING, CRANKPIN	1							
18	1	714320-22620	PISTON W/RING .25OS	1							1
20	2	714310-22540	RING SET O.S=0.25	1							1
24	1	714320-22580	PISTON W/RING .50OS	1							2
26	2	714310-22550	RING SET O.S=0.50	1							2
30	1	714650-23610	BEARING,PIN(U.S=0.25	1							3
32	1	714650-23620	BEARING,PIN(U.S=0.50	1							4

Remarks

- (1)Over size(O.S=0.25) parts.
- (2)Over size(O.S=0.50) parts.
- (3)Under size(U.S=0.25) parts.
- (4)Under size(U.S=0.50) parts.

Fig.12. LUB.OIL PUMP & GOVERNOR

(A)=L100N5EJ1T1CAGS

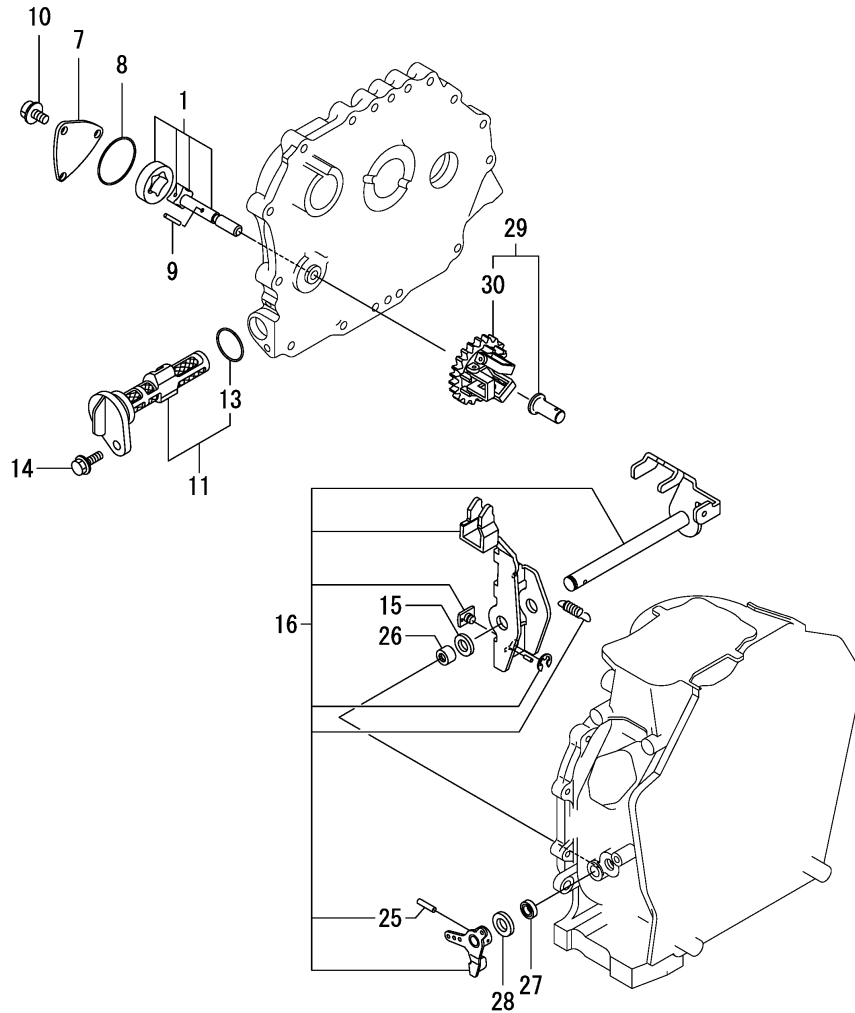
(B)=

(C)=

(D)=

(E)=

(F)=



REF.	LEV.	PARTS NO.	DESCRIPTION	QTY						I	R
				(A)	(B)	(C)	(D)	(E)	(F)		
1	1	114650-32010	PUMP ASSY, LUB.OIL	1							
7	1	114299-32070	COVER, LUB. OIL PUMP	1							
8	1	114299-32570	O-RING, COVER	1							
9	1	22312-030160	PARALLEL PIN, M3X16	1							
10	1	26106-060122	BOLT M 6X 12 PLATED	3							
11	1	114299-35110	FILTER CMP, LUB.OIL	1							
13	2	24341-000224	O-RING 1A S-22.4	1							
14	1	26106-060162	BOLT M 6X 16 PLATED	1							
15	1	114299-61190	WASHER, GOVERNOR	1							
16	1	114311-61500	LEVER ASSY, GOVERNOR	1							1
25	2	22322-030200	TAPER PIN, 3X20	1							
26	1	114770-61520	BEARING,NEEDLE	2							
27	1	114299-61600	SEAL, OIL	1							
28	1	114770-61610	WASHER, THRUST	1							
29	1	714210-61701	GOVERNOR ASSY	1							
30	2	114210-61290	WEIGHT ASSY,GOVERNOR	1							

Remarks

(1)On a guarantee of quality component part shall not be sold.

Fig.14. COVER

(A)=L100N5EJ1T1CAGS

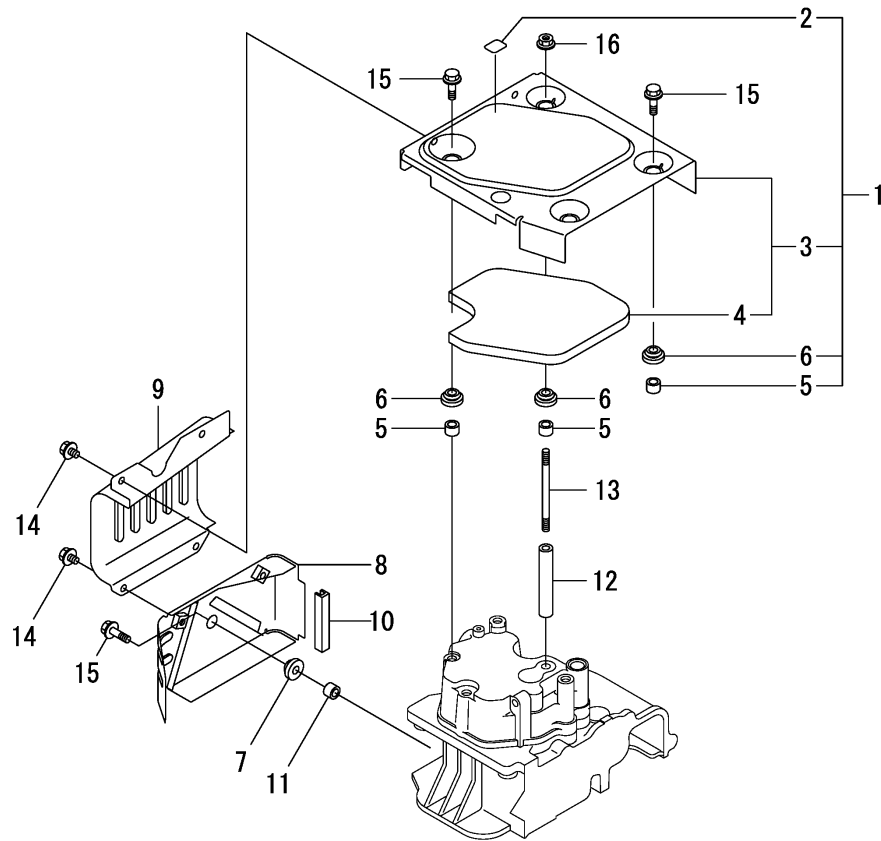
(B)=

(C)=

(D)=

(E)=

(F)=



REF.	LEV.	PARTS NO.	DESCRIPTION	QTY						I	R
				(A)	(B)	(C)	(D)	(E)	(F)		
1	1	11432C-45200	TOP COVER ASSY	1							
2	2	114220-07120	LABEL, DECOMPRESSION	1							
3	2	11431C-45300	COVER, TOP (BLACK) (13)	1							
4	3	11431C-45310	DAMPER	1							
5	2	114350-45340	COLLAR	4							
6	2	183720-55210	GROMMET	4							
7	1	114299-45220	GROMMET, TANK	1							
8	1	11431C-45260	COVER B, SIDE (13)	1							
9	1	11431C-45270	COVER A, SIDE (13)	1							
10	1	114399-45320	RUBBER, SEAL	1							
11	1	114399-45340	COLLAR, CYL. COVER	1							
12	1	114310-45350	SPACER, TOP COVER	1							
13	1	114310-45360	STUD BOLT, TOP COVER	1							
14	1	26106-060082	BOLT M 6X 8 PLATED	4							
15	1	26106-060202	BOLT M 6X 20 PLATED	4							
16	1	26366-060002	NUT M 6	1							

Fig.15. COOLING FAN CASE

OCR10-G82800 15. COOLING FAN CASE

(A)=L100N5EJ1T1CAGS

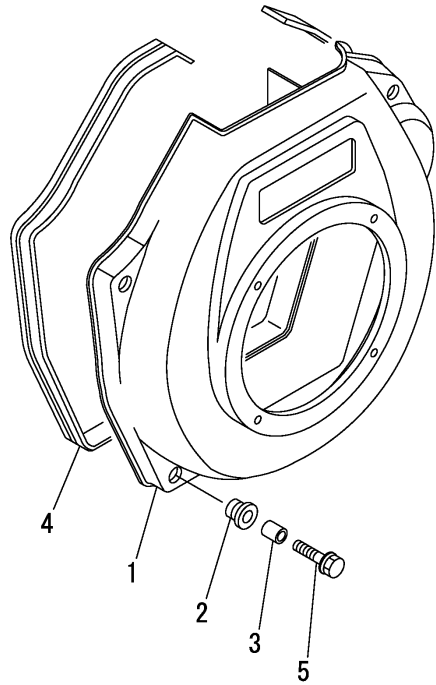
(B)=

(C)=

(D)=

(E)=

(F)=



REF.	LEV.	PARTS NO.	DESCRIPTION	Q'TY						I	R
				(A)	(B)	(C)	(D)	(E)	(F)		
1	1	11431C-45100	FAN CASE (GRAY)(2K)	1							
2	1	114299-45301	RUBBER, CUSHION	4							
3	1	114299-45310	COLLAR, FAN CASE	4							
4	1	114699-45331	SEAL, FAN CASE	1							
5	1	114299-45350	BOLT, FAN CASE	4							

Fig.16. F.I.PUMP & F.I.VALVE

(A)=L100N5EJ1T1CAGS

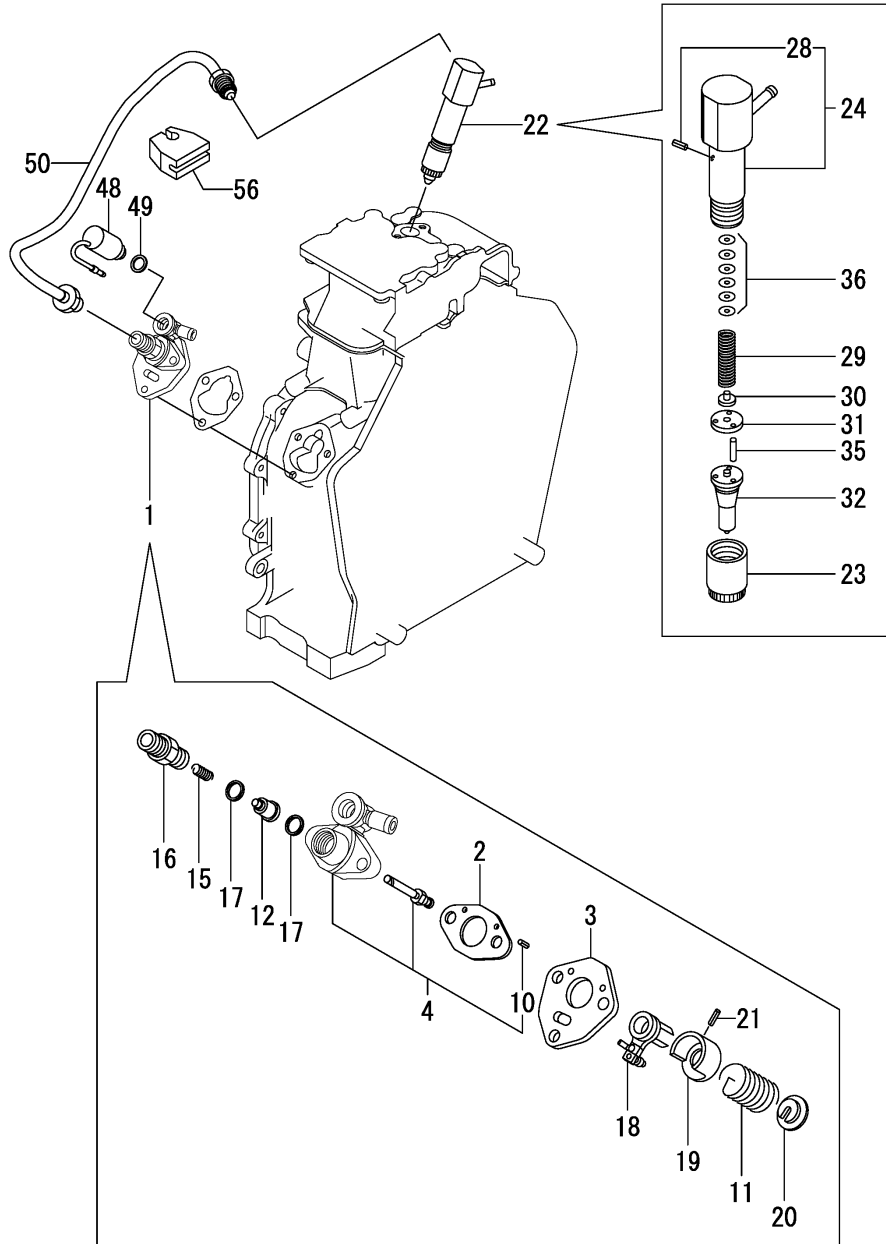
(B)=

(C)=

(D)=

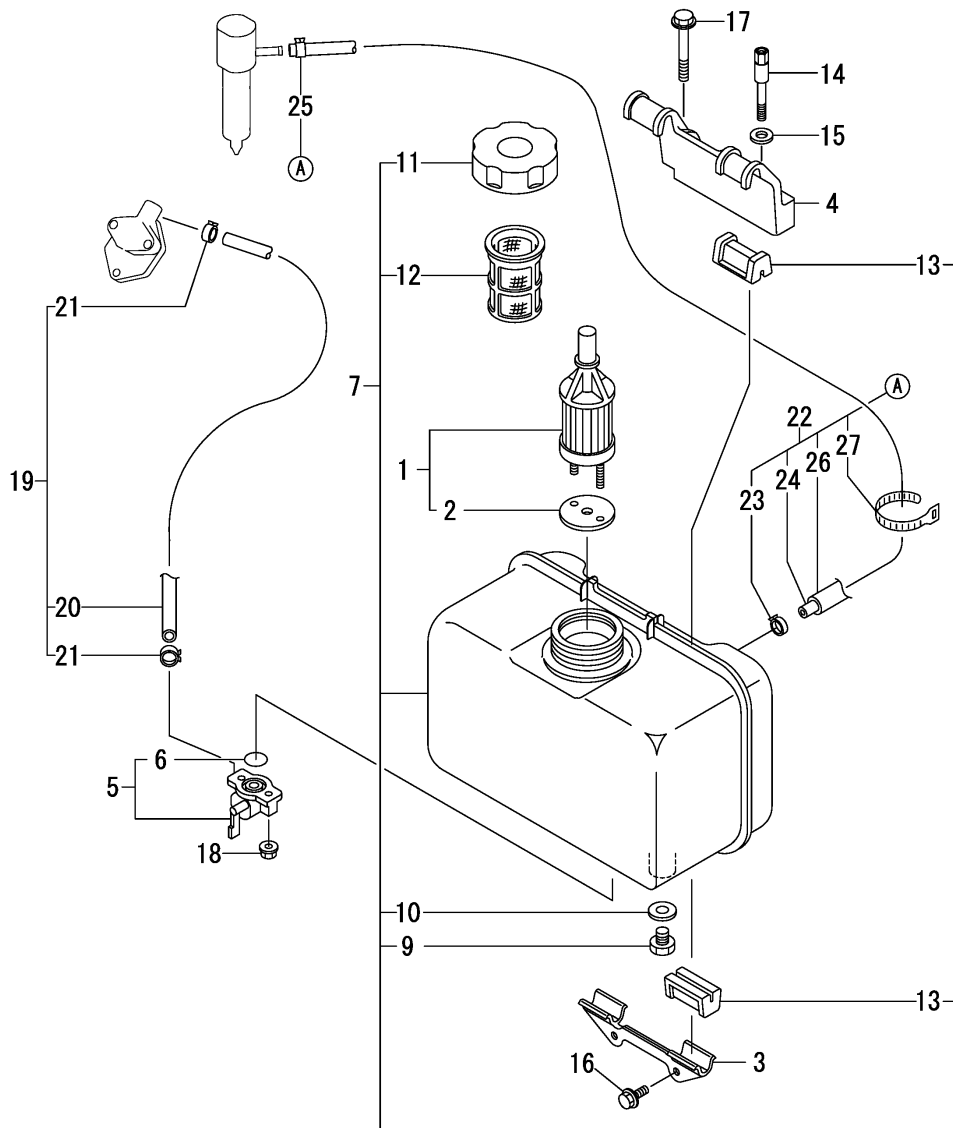
(E)=

(F)=



REF.	LEV.	PARTS NO.	DESCRIPTION	QTY						I	R
				(A)	(B)	(C)	(D)	(E)	(F)		
1	1	714339-51310	F.I.PUMP ASSY	1							
2	2	105546-51020	GASKET	1							
3	2	114250-51080	PLATE	1							
4	2	114339-51200	BODY ASSY, PUMP	1							
10	4	22351-020006	SPRING PIN 2X 6	2							
11	2	114250-51160	SPRING, PLUNGER	1							
12	2	114650-51300	VALVE ASSY, DELIVERY	1							
15	2	105546-51330	SPRING, DELIVERY	1							
16	2	114250-51340	HOLDER, DELIVERY	1							
17	2	124550-51350	GASKET, DELIVERY	2							
18	2	114250-51600	LEVER ASSY, CONTROL	1							
19	2	114250-51640	SEAT, SPRING A	1							
20	2	114250-51650	SEAT, SPRING B	1							
21	2	22351-030008	SPRING PIN 3X 8	1							
22	1	714339-53200	FUEL INJECTOR	1							
23	2	114250-53080	NUT, CASE	1							
24	2	114339-53100	HOLDER ASSY, NOZZLE	1							
28	3	22351-025005	SPRING PIN 2.5AX 6	1							
29	2	114250-53120	SPRING, NOZZLE	1							
30	2	114250-53130	SEAT, SPRING	1							
31	2	114250-53140	PLATE, STOP	1							
32	2	114339-53200	NOZZLE ASSY	1							
35	2	114250-53210	PIN	2							
36	2	114250-53400	SHIM SET	1							
48	1	114110-76901	VALVE ASSY, F/O CUT	1							
49	1	114299-83020	GASKET, 10X1.2	1							
50	1	114310-59800	PIPE ASSY, INJECTION	1							
56	1	114699-59850	SUPPORT, PIPE	1							

Fig.17. FUEL TANK & FUEL PIPE



(A)=L100N5EJ1T1CAGS

(B)=

(C)=

(D)=

(E)=

(F)=

REF.	LEV.	PARTS NO.	DESCRIPTION	QTY						I	R
				(A)	(B)	(C)	(D)	(E)	(F)		
1	1	114250-55121	FILTER ASSY, FUEL	1							
2	2	114250-55130	GASKET	1							
3	1	114210-55210	STAY A, FUEL TANK	1							
4	1	114310-55230	STAY B, FUEL TANK	1							
5	1	114250-55301	COCK ASSY, FUEL	1							
6	2	24341-000150	O-RING 1A S-15.0	1							
7	1	11431C-55710	TANK,FUEL(BLACK)(13)	1							
9	2	114299-55080	PLUG, DRAIN	1							
10	2	23414-080000	GASKET 8, ROUND	1							
11	2	114299-55040	CAP ASSY, FUEL TANK	1							
12	2	114299-55100	FILTER, FUEL OIL	1							
13	2	114250-55201	DAMPER, FUEL TANK	4							
14	1	114210-55810	BOLT, LIFTING	1							
15	1	22117-080000	WASHER 8	1							
16	1	26106-060162	BOLT M 6X 16 PLATED	2							
17	1	26106-080452	BOLT M 8X 45 PLATED	1							
18	1	26366-060002	NUT M 6	2							
19	1	114780-59010	PIPE ASSY, FUEL OIL	1							
20	2	114780-59060	PIPE, FUEL OIL	1							
21	2	23080-014000	CLAMP 14	2							
22	1	114339-59300	PIPE ASSY, RETURN	1							
23	2	124722-59050	CLIP, HOSE	1							
24	2	114310-59060	PIPE, FUEL RETURN	1							
25	2	124066-59100	CLIP, HOSE	1							
26	2	114310-59310	HOSE, PROTECT	1							
27	2	121750-59890	CLAMP 140	1							

Fig.18. SPEED CONTROL DEVICE

(A)=L100N5EJ1T1CAGS

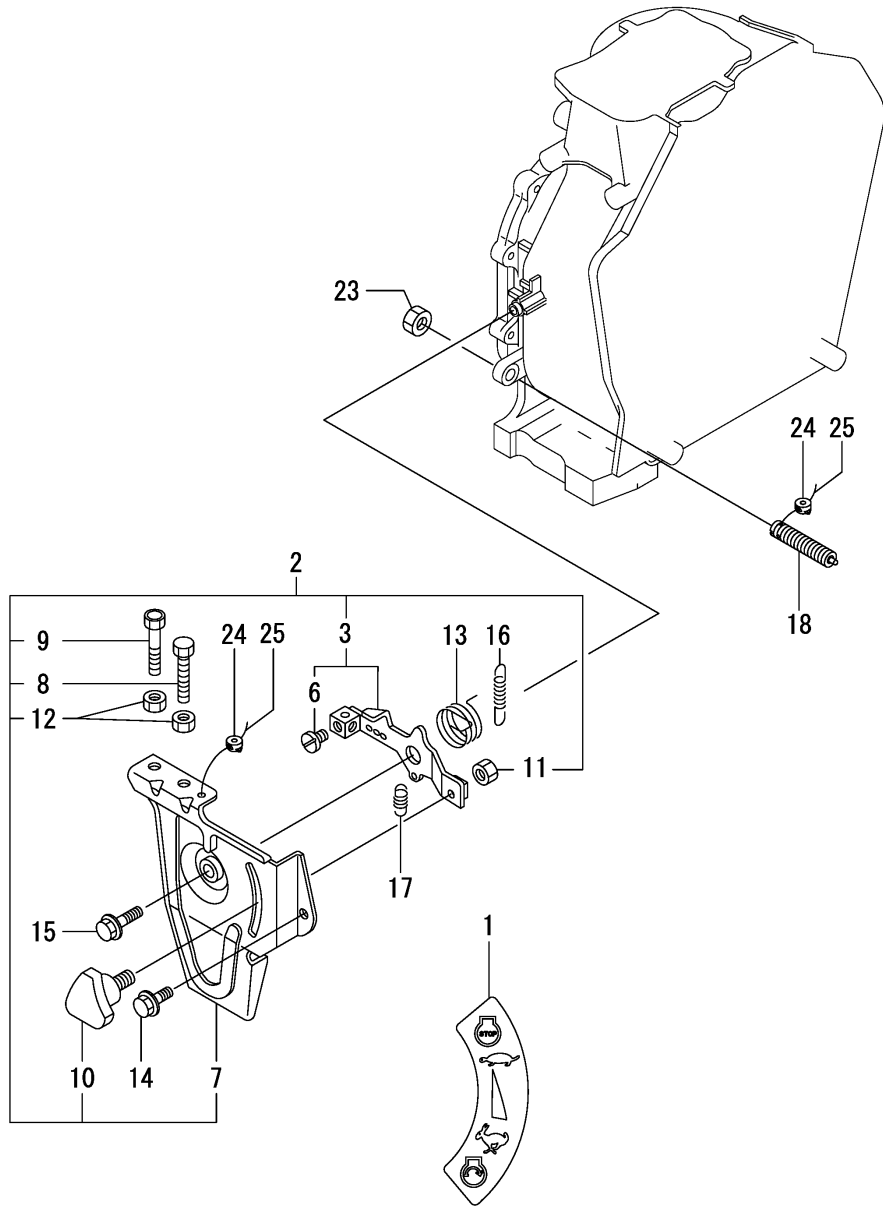
(B)=

(C)=

(D)=

(E)=

(F)=



REF.	LEV.	PARTS NO.	DESCRIPTION	QTY						I	R
				(A)	(B)	(C)	(D)	(E)	(F)		
1	1	114220-07160	LABEL, THAI	1							
2	1	714210-66100	SPEED CTRL, THAI	1							
3	2	114210-66060	HANDLE ASY,REGULATOR	1							
6	3	26117-050089	BOLT, M5X8	1							
7	2	114210-66100	BRACKET, REGULATOR	1							
8	2	114299-66440	BOLT, ADJUSTING	1							
9	2	114299-67080	BOLT, ADJUSTING	1							
10	2	160725-78350	KNOB, M6X15	1							
11	2	26347-060002	U-NUT M 6	1							
12	2	26757-060002	NUT M 6	2							
13	1	114299-66250	SPRING, RETURN	1							
14	1	26106-060142	BOLT M 6X 14 PLATED	1							
15	1	26106-060202	BOLT M 6X 20 PLATED	1							
16	1	114320-66010	SPRING, REGULATOR	1							
17	1	114299-66200	SPRING, RETURN	1							
18	1	114211-66600	LIMITER ASSY, FUEL	1							
23	1	26776-100002	LOCK NUT M10 PLATED	1							
24	1	114780-61090	TIN	2							
25	1	22451-060000	WIRE, 0.6	2							

Fig.19. RECOIL STARTER

(A)=L100N5EJ1T1CAGS

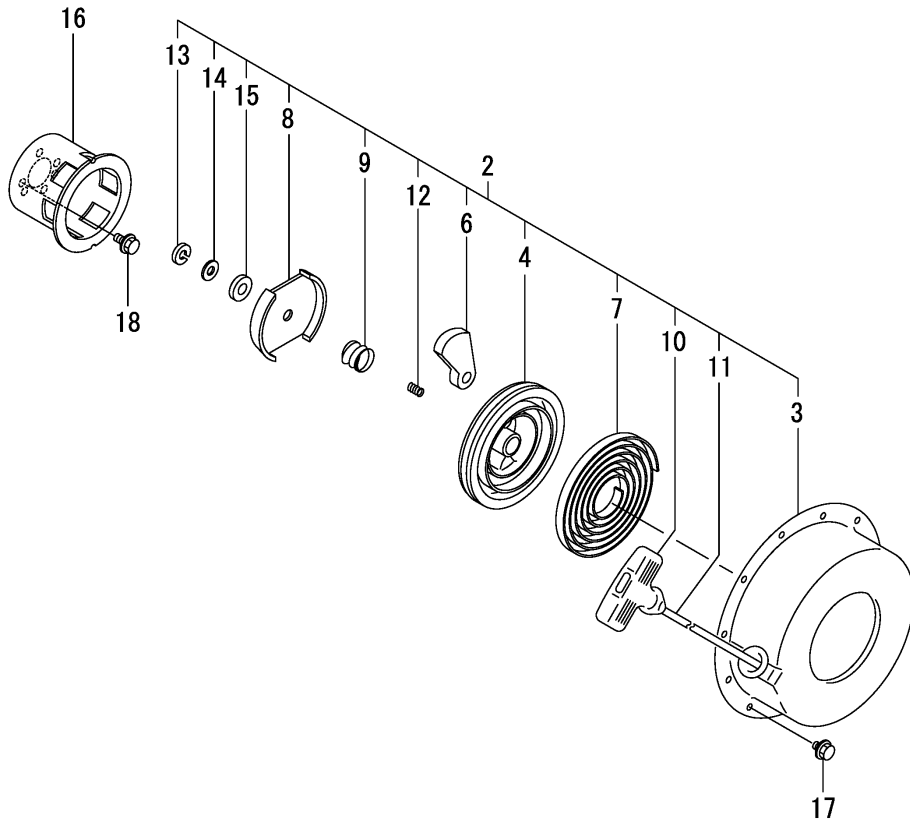
(B)=

(C)=

(D)=

(E)=

(F)=



REF.	LEV.	PARTS NO.	DESCRIPTION	Q'TY						I	R
				(A)	(B)	(C)	(D)	(E)	(F)		
2	2	114699-76251	RECOIL ASSY	1							
3	3	114699-76510	CASE, STARTER	1							
4	3	114699-76521	REEL, RECOIL	1							
6	3	114699-76531	RATCHET	2							
7	3	114399-76540	SPRING, SPIRAL	1							
8	3	114699-76551	GUIDE, RATCHET	1							
9	3	114699-76560	SPRING, FRICTION	1							
10	3	114399-76620	KNOB, STARTER	1							
11	3	114699-76630	ROPE, STARTER	1							
12	3	114699-76650	SPRING, RETURN	1							
13	3	114699-76660	RETAINING RING	1							
14	3	114699-76670	WASHER	1							
15	3	114699-76680	WASHER IN NYLON	1							
16	2	114699-76592	PULLEY, STARTER	1							
17	1	26106-060082	BOLT M 6X 8 PLATED	4							
18	1	26106-060122	BOLT M 6X 12 PLATED	3							

Fig.20. STARTING MOTOR

(A)=L100N5EJ1T1CAGS

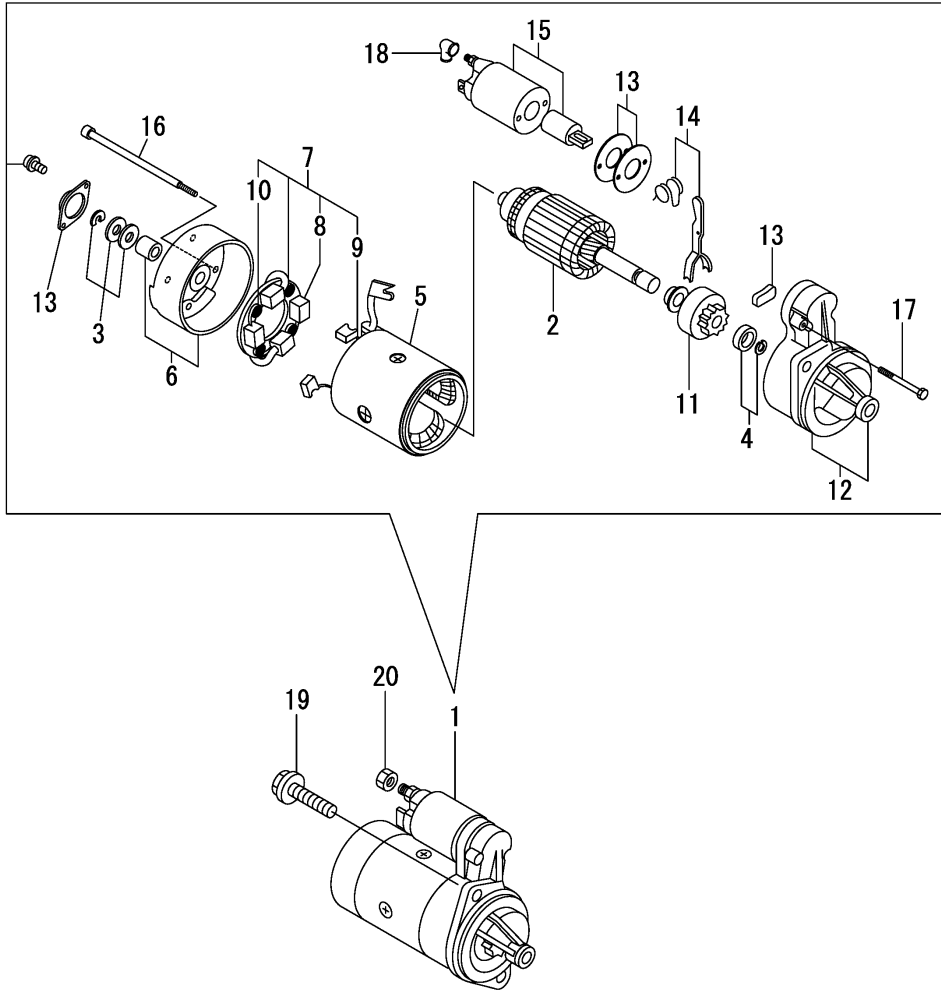
(B)=

(C)=

(D)=

(E)=

(F)=



REF.	LEV.	PARTS NO.	DESCRIPTION	QTY						I	R
				(A)	(B)	(C)	(D)	(E)	(F)		
1	1	114362-77011	STARTER	1							
2	2	114381-77110	ARMATURE	1							
3	2	X2114811000	WASHER KIT, THRUST	1							
4	2	X2114715500	STOPPER SET, PINION	1							
5	2	114381-77130	COIL ASSY, FIELD	1							
6	2	114381-77140	COVER, REAR	1							
7	2	114371-77160	HOLDER ASSY, BRUSH	1							
8	3	114371-79040	BRUSH (-)	2							
9	3	114371-79050	BRUSH (+)	1							
10	3	114371-79060	SPRING, BRUSH	4							
11	2	X211485016	PINION ASSY	1							
12	2	114381-77151	HOUSING ASSY, GEAR	1							
13	2	114371-77170	COVER KIT, DUST	1							
14	2	114371-77180	SHIFT LEVER KIT	1							
15	2	124298-77020	SWITCH, MAGNET	1							
16	2	124195-77770	THROUGH BOLT	2							
17	2	114371-79070	BOLT M 6X 37	2							
18	2	X2114274200	COVER, TERMINAL	1							
19	1	26106-100302	BOLT M10X 30 PLATED	2							
20	1	26716-080002	NUT M 8	1							

Fig.21. ELECTRICAL EQUIPMENT

(A)=L100N5EJ1T1CAGS

(B)=

(C)=

(D)=

(E)=

(F)=

REF.	LEV.	PARTS NO.	DESCRIPTION	Q'TY						I	R
				(A)	(B)	(C)	(D)	(E)	(F)		
1	1	114399-77550	REG. & HARNESS ASSY	1							
3	3	114399-77400	BRACKET, HARNESS	1							
4	3	114399-77540	HARNESS, WIRE	1							
5	4	114399-78000	FUSE(20A	1							
6	2	114399-77710	REGULATOR	1							
7	2	26023-040102	SCREW, M4X10	2							
8	1	26106-060122	BOLT M 6X 12 PLATED	2							
9	1	26106-060202	BOLT M 6X 20 PLATED	2							

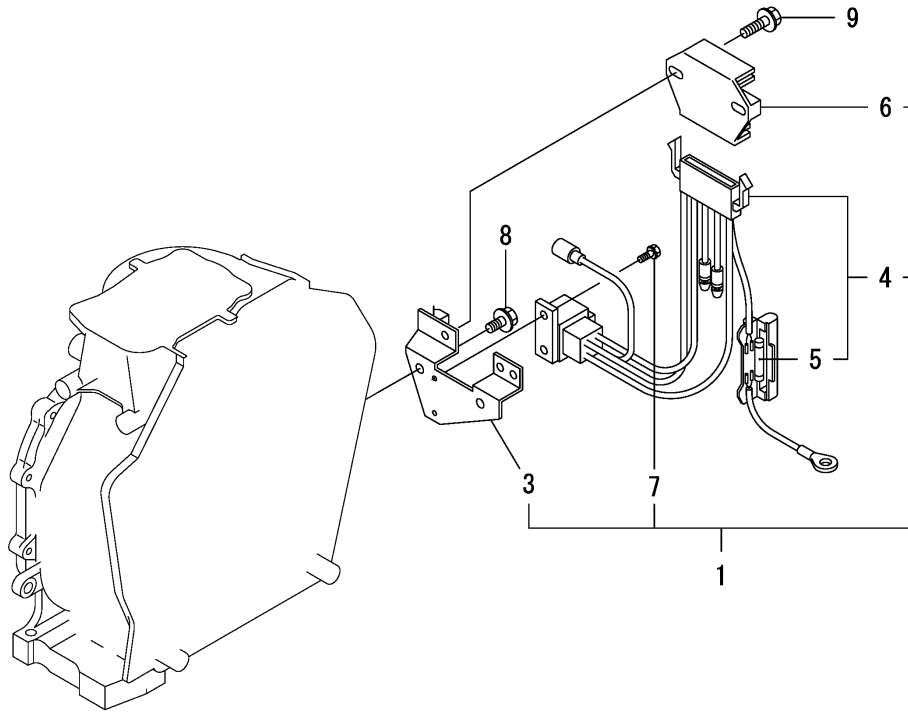


Fig.22. DYNAMO

(A)=L100N5EJ1T1CAGS

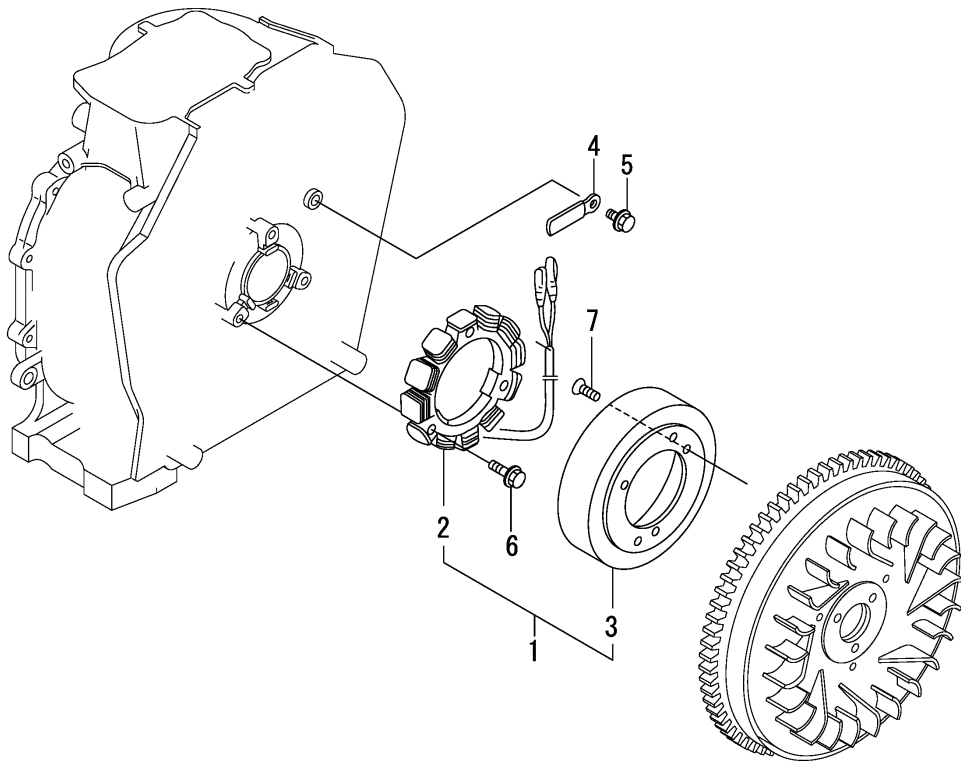
(B)=

(C)=

(D)=

(E)=

(F)=



REF.	LEV.	PARTS NO.	DESCRIPTION	Q'TY						I	R
				(A)	(B)	(C)	(D)	(E)	(F)		
1	1	114399-78260	DYNAMO ASSY	1							
2	2	114399-78730	STATOR ASSY	1							
3	2	114399-78740	WHEEL, DYNAMO	1							
4	1	160710-78710	CLAMP, CORD	1							
5	1	26106-060122	BOLT M 6X 12 PLATED	1							
6	1	26106-060202	BOLT M 6X 20 PLATED	3							
7	1	26577-060142	SCREW M 6X 14	3							

Fig.24. TOOL & GASKET SET

(A)=L100N5EJ1T1CAGS

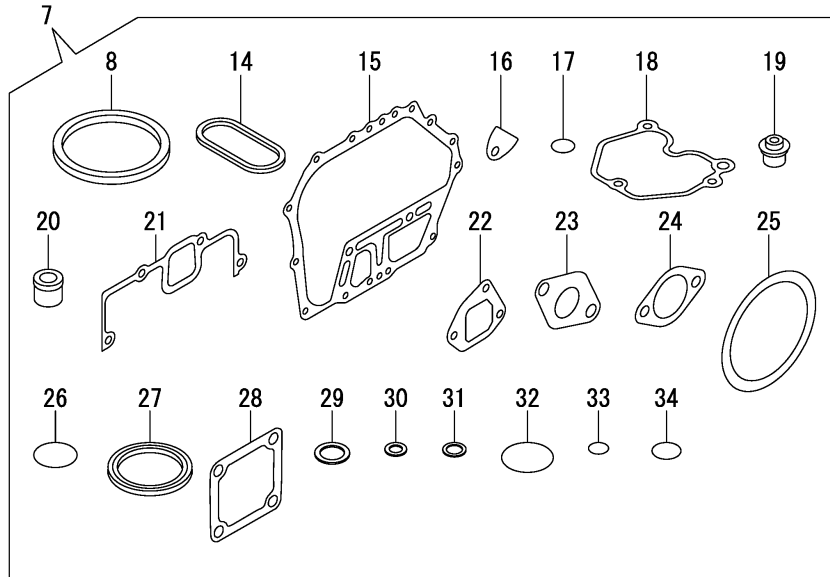
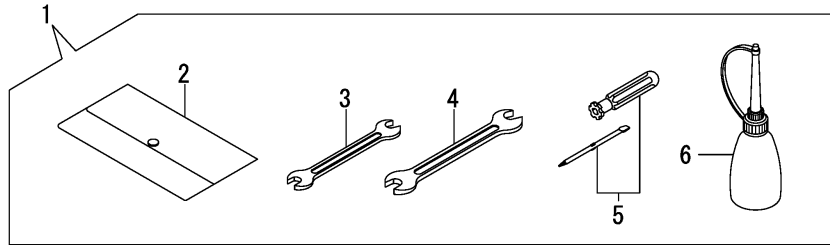
(B)=

(C)=

(D)=

(E)=

(F)=



REF.	LEV.	PARTS NO.	DESCRIPTION	QTY						I	R
				(A)	(B)	(C)	(D)	(E)	(F)		
1	1	114299-92590	TOOL ASSY	1							
2	2	114299-92600	TOOL BAG	1							
3	2	114299-92710	WRENCH	1							
4	2	114299-92720	WRENCH	1							
5	2	114299-92730	DRIVER	1							
6	2	114299-92740	FITTING, FUEL	1							
7	1	114320-92600	GASKET SET	1							1
8	2	114695-01331	GASKET ASSY,CYL.HEAD	1							
14	2	114699-01380	O-RING	1							
15	2	114699-01410	GASKET, CRANK CASE	1							
16	2	114250-01841	GASKET, COVER	1							
17	2	114299-01950	O-RING	2							
18	2	114310-11310	GASKET, BONNET	1							
19	2	114650-11341	SEAL, VALVE STEM	2							
20	2	114771-11461	GASKET, NOZZLE	1							
21	2	114310-12210	GASKET, AIR CLEANER	1							
22	2	114699-12210	GASKET, CLEANER	2							
23	2	114310-13200	GASKET, MUFFLER	1							
24	2	183671-13211	GASKET, PIPE	1							
25	2	114399-21980	GASKET	1							
26	2	114299-32570	O-RING, COVER	1							
27	2	160393-55050	GASKET, TANK CAP	4							
28	2	129100-77510	GASKET, AIR HEATER	3							
29	2	22190-160002	WASHER, 16	2							
30	2	23414-080000	GASKET 8, ROUND	1							
31	2	23414-120000	GASKET 12, ROUND	1							
32	2	24311-000400	O-RING 1A P-40.0	1							
33	2	24341-000150	O-RING 1A S-15.0	2							
34	2	24341-000224	O-RING 1A S-22.4	1							

Remarks
(1)Optional parts.

N:Old $\xrightarrow{\text{Yes}}$ New, Q:Old $\xrightarrow{\text{No}}$ New, R:Old $\xrightarrow{\text{Yes}}$ New, S:Old $\xrightarrow{\text{No}}$ New, W:Add, Z:Discontinued, F:Interchangeable by set, K:Q'ty Change

Part Number Index

All parts are stipulated in the order of part numbers.

(Depending on the area in which the part is used.)

This index will display the location of the part according to each part number.

PARTS No. INDEX

PARTS No.	Fig.	Ref.No.
104211-11370	4	26
105546-51020	16	2
105546-51330	16	15
114110-76901	16	48
114210-03590	4	38
114210-11901	4	30
114210-12560	5	11
114210-12590	5	12
114210-12600	5	15
114210-14300	7	7
114210-55210	17	3
114210-55810	17	14
114210-61290	12	30
114210-66060	18	3
114210-66100	18	7
114211-66600	18	18
114220-07100	3	2
114220-07110	3	4
114220-07120	14	2
114220-07130	3	9
114220-07160	3	8
	18	1
114220-12500	5	8
114240-11450	4	27
114240-11550	4	28
114250-01841	1	20
	24	16
114250-11240	4	19
		23
114250-51080	16	3
114250-51160	16	11
114250-51340	16	16
114250-51600	16	18
114250-51640	16	19
114250-51650	16	20
114250-53080	16	23
114250-53120	16	29
114250-53130	16	30
114250-53140	16	31
114250-53210	16	35
114250-53400	16	36
114250-55121	17	1
114250-55130	17	2
114250-55201	17	13
114250-55301	17	5
114299-01600	1	7
114299-01690	2	1
114299-01800	1	8
114299-01830	1	19
114299-01950	2	4

PARTS No.	Fig.	Ref.No.
114299-01950	24	17
114299-02030	1	34
114299-03640	4	41
114299-07100	3	3
114299-07110	3	5
114299-07160	3	6
114299-12300	5	2
114299-32070	12	7
114299-32570	12	8
	24	26
114299-35110	12	11
114299-35150	1	32
114299-45220	14	7
114299-45301	15	2
114299-45310	15	3
114299-45350	15	5
114299-55040	17	11
114299-55080	17	9
114299-55100	17	12
114299-61190	12	15
114299-61600	12	27
114299-66200	18	17
114299-66250	18	13
114299-66440	18	8
114299-67080	18	9
114299-83020	16	49
114299-92590	24	1
114299-92600	24	2
114299-92710	24	3
114299-92720	24	4
114299-92730	24	5
114299-92740	24	6
114310-01020	1	1
114310-01200	4	1
114310-01210	4	2
114310-01450	1	27
114310-11120	4	10
114310-11180	4	11
114310-11290	4	32
114310-11310	4	35
	24	18
114310-11930	4	12
114310-11950	4	36
114310-12010	5	4
114310-12210	5	1
	24	21
114310-13200	6	1
	24	23
114310-14200	7	6
114310-14400	7	12

PARTS No.	Fig.	Ref.No.
114310-22500	10	10
114310-23200	10	15
114310-45350	14	12
114310-45360	14	13
114310-55230	17	4
114310-59060	17	24
114310-59310	17	26
114310-59800	16	50
114311-61500	12	16
11431C-11100	4	8
11431C-11110	4	9
11431C-11250	4	14
11431C-11260	4	15
11431C-11650	4	17
11431C-11660	4	21
11431C-13550	6	2
11431C-13560	6	3
11431C-13700	6	4
11431C-13710	6	5
11431C-13720	6	6
11431C-21840	8	1
11431C-45100	15	1
11431C-45260	14	8
11431C-45270	14	9
11431C-45300	14	3
11431C-45310	14	4
11431C-55710	17	7
114320-12550	5	3
114320-66010	18	16
114320-92600	24	7
11432C-11020	4	3
11432C-45200	14	1
114339-51200	16	4
114339-53100	16	24
114339-53200	16	32
114339-59300	17	22
114350-45340	14	5
114351-77520	23	1
114362-77011	20	1
114371-77160	20	7
114371-77170	20	13
114371-77180	20	14
114371-79040	20	8
114371-79050	20	9
114371-79060	20	10
114371-79070	20	17
114381-77110	20	2
114381-77130	20	5
114381-77140	20	6
114381-77151	20	12

PARTS No.	Fig.	Ref.No.
114399-21980	24	25
114399-45320	14	10
114399-45340	14	11
114399-76540	19	7
114399-76620	19	10
114399-77400	21	3
114399-77540	21	4
114399-77550	21	1
114399-77710	21	6
114399-78000	21	5
114399-78260	22	1
114399-78730	22	2
114399-78740	22	3
114650-02100	1	30
114650-02150	1	35
114650-02200	1	40
114650-02210	1	41
114650-11341	4	25
	24	19
114650-32010	12	1
114650-51300	16	12
114695-01331	24	8
114695-01341	1	5
114699-01380	1	6
	24	14
114699-01410	1	26
	24	15
114699-01760	2	2
114699-11600	4	29
114699-12210	24	22
114699-21220	9	1
114699-21550	9	2
114699-21600	9	3
114699-21630	9	6
114699-22300	10	9
114699-45331	15	4
114699-59850	16	56
114699-76251	19	2
114699-76510	19	3
114699-76521	19	4
114699-76531	19	6
114699-76551	19	8
114699-76560	19	9
114699-76592	19	16
114699-76630	19	11
114699-76650	19	12
114699-76660	19	13
114699-76670	19	14
114699-76680	19	15
114770-61520	12	26

MODEL : L100N5EJ1T1CAGS
PC NO : 0CR10-G82800

PARTS No. INDEX

PARTS No.	Fig.	Ref.No.
114770-61610	12	28
114771-11461	24	20
114780-59010	17	19
114780-59060	17	20
114780-61090	18	24
121750-59890	17	27
124060-23100	10	14
124066-59100	17	25
124195-77770	20	16
124298-77020	20	15
124550-51350	16	17
124722-59050	17	23
129100-77510	24	28
160393-55050	24	27
160710-78710	22	4
160725-78350	18	10
183250-39450	13	1
183671-13211	24	24
183720-55210	14	6
714210-61701	12	29
714210-66100	18	2
714310-22500	10	3
714310-22540	10	20
714310-22550	10	26
714310-28510	11	1
71431C-23010	10	11
714320-22580	10	24
714320-22620	10	18
714320-22720	10	1
71432C-14010	7	1
714339-51310	16	1
714339-53200	16	22
714650-23600	10	16
714650-23610	10	30
714650-23620	10	32
X2114274200	20	18
X2114715500	20	4
X2114811000	20	3
X211485016	20	11

PARTS No.	Fig.	Ref.No.
-----------	------	---------

PARTS No.	Fig.	Ref.No.
-----------	------	---------

PARTS No.	Fig.	Ref.No.
-----------	------	---------



YANMAR CO.,LTD.