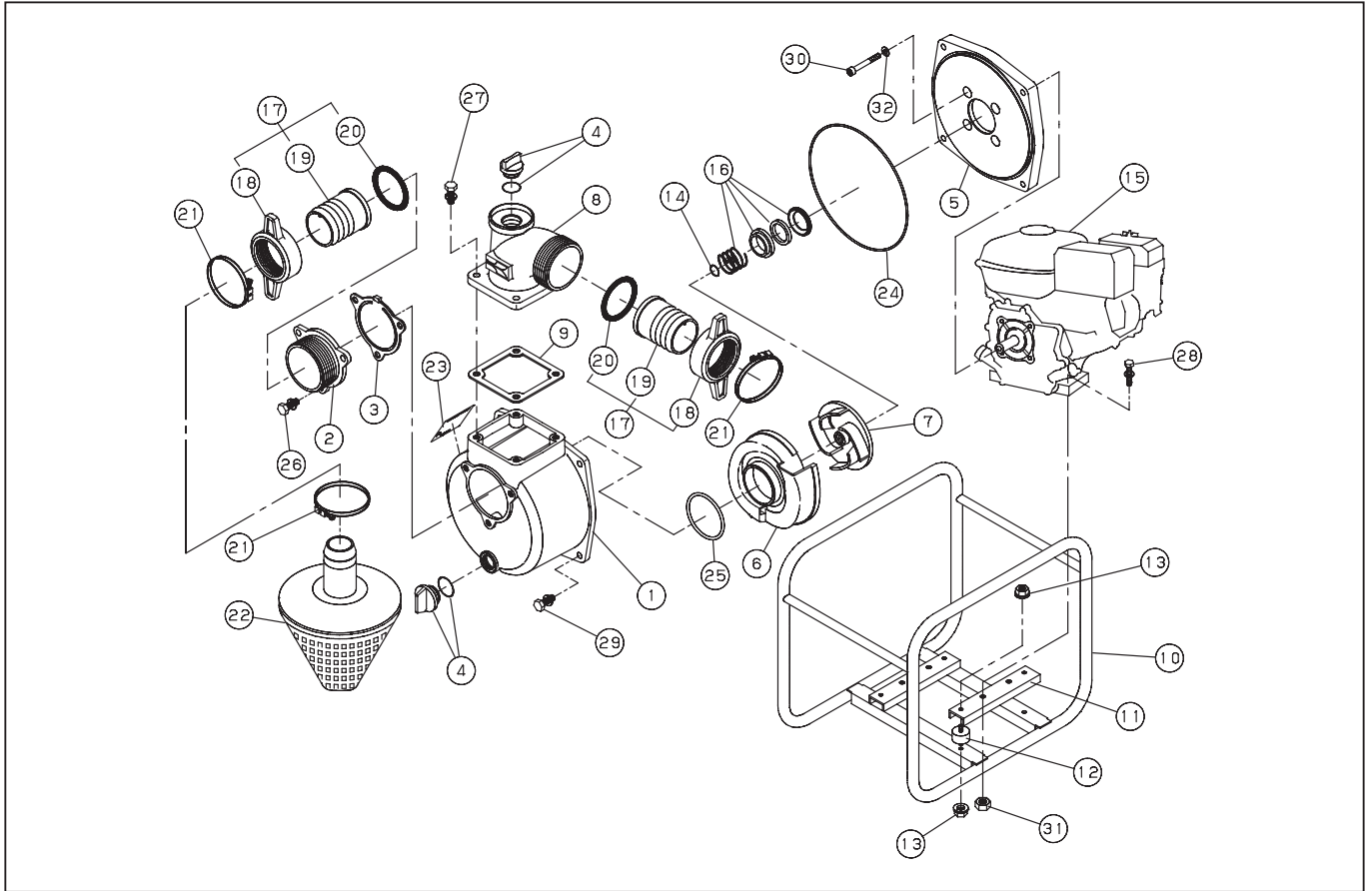


SE-50XD

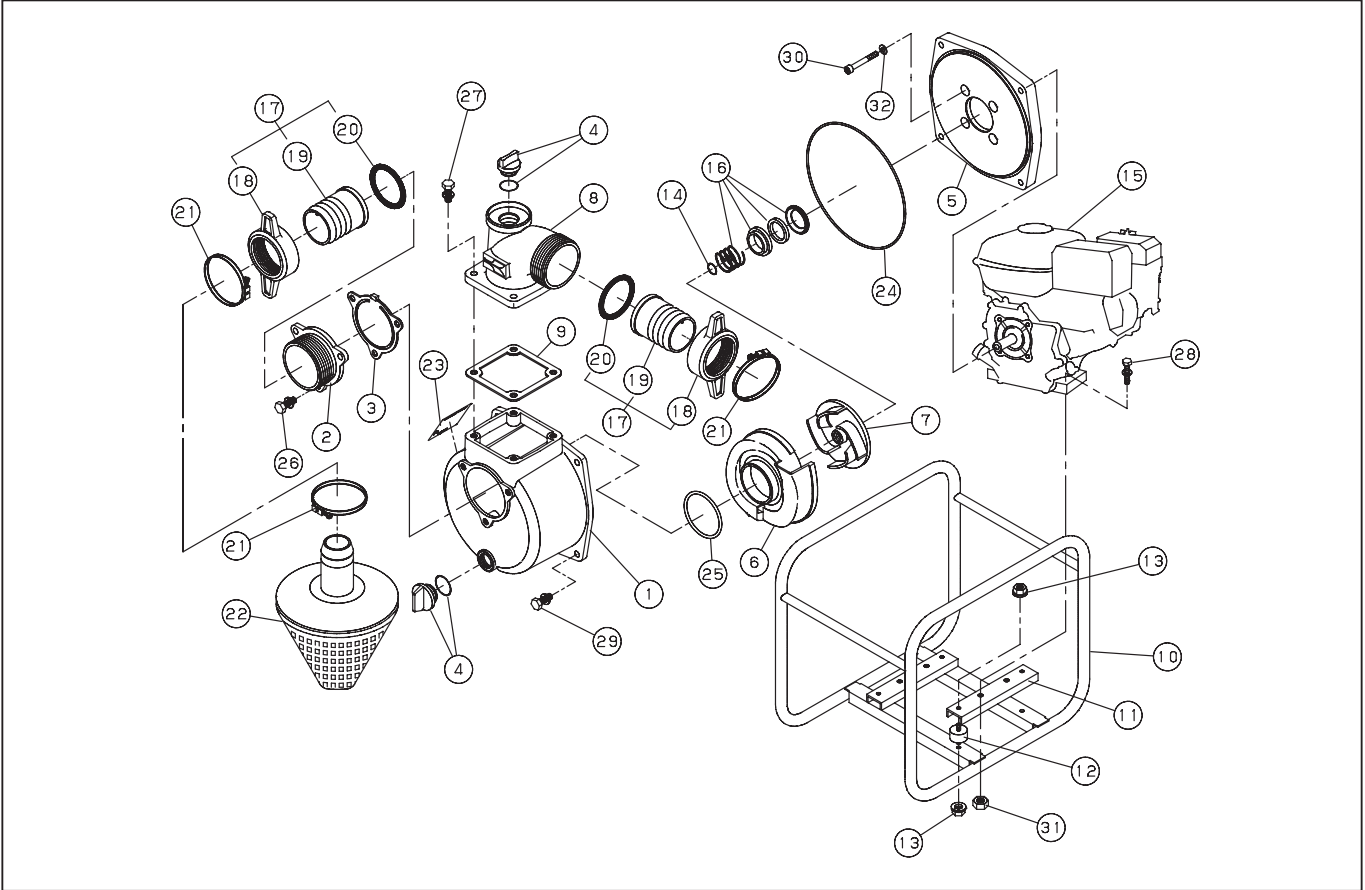


DWG.No. 011937514 MODEL:SE-50XD FORM: SE-50X-BBA-0

No.	PARTS CODE	PARTS NAME	QTY	MATERIAL	SIZE	REMARKS
1	012019502	PUMP CASE	1	ADC		
2	011266203	SUCTION FLANGE	1	ADC		
3	011266501	CHECK VALVE	1	NBR		
4	011807802	20A PLUG SET	2			
5	011257905	FLANGE BRACKET	1	ADC		
6	011317503	VOLUTE CASING	1	FC		
7	011178003	IMPELLER	1	FC		
8	011055605	DELIVERY FLANGE	1	ADC		
9	011054102	DELIVERY FLANGE PACKING	1	CR		
10	011836601	BASE SET	1			
11	011336501	ENGINE BASE	2			
12	011285801	CUSHION RUBBER	4			
13	842319008	SPRING NUT	8	SWRM	M8	
14	011046601	IMPELLER ADJUSTING WASHER	3	BSP		
15	011339402	ENGINE	1	ROBIN DY232DD1120		
16	011068803	MECHANICAL SEAL	1	CARBON CERAMIC	φ 18	
17	011702603	COUPLING SET	2	ABS		
18	011339002	COUPLING	2	ABS		
19	011035605	HOSE NIPPLE	2	ABS		
20	011339101	COUPLING PACKING	2	NBR		
21	012008601	HOSE BAND	3			
22	011815901	STRAINER SET	1	PP		
23	011339602	NAME PLATE	1			
24	011501401	O-RING	1	NBR	1517-42.5	
25	011279201	O-RING	1	NBR	P54	
26	743119045	HEXAGON BOLT	3	SWRM	M8X20	
27	743119047	HEXAGON BOLT	4	SWRM	M8X25	
28	743119069	HEXAGON BOLT	4	SWRM	M10X50	
29	743119046	HEXAGON BOLT	4	SWRM	M8X22	
30	734532076	HEXAGON SOCKET BOLT	4	SCM	M8X60	

◆ Bare engine can not be supplied

SE-50XD



DWG.No. 011937514 MODEL:SE-50XD FORM: SE-50X-BBA-0

No.	PARTS CODE	PARTS NAME	QTY	MATERIAL	SIZE	REMARKS
31	827419010	HEXAGON NUT	4	SWRM	M10	
32	854255008	SEAL WASHER	4		φ 8	
	011339902	PACKING CASE	1			
	011340006	OPERATION MANUAL	1			

◆ Bare engine can not be supplied