

GENERAL PURPOSE ENGINE

GX390K1
(GCAA-200)
(GDAAM-100)

GX390K1
(PROPANE ENGINE)
(GDAF-100)

PARTS CATALOGUE

8



GX390K1

FOREWORD INDEX

1

ENGINE GROUP

2

PART NUMBER INDEX

3

PART NAME INDEX

4

Instruction for use of parts catalogue

- **This parts catalogue was prepared based on the latest information available as of May 01, 2003.**
- See the parts catalogue news for any revision that is made after May 01, 2003.
- **Always specify the part number when ordering a part.**
- Check the model, type, serial numbers, color, maker, and the size as needed before ordering a part.
- Note that the illustrations (part drawings) can differ from the actual parts in shape. They are given just to help you to refer to the parts.
- **When modifications or additions to this parts catalogue are made, a revised edition will be issued at an appropriate time, with successively progressing revision numbers on the cover. We recommend obtaining such revisions in order to keep your parts catalogue up-to-date at all times. To check whether a parts catalogue revision has been issued, please contact your Honda distributor.**

Initial version issue date **November 10, 1995**
Honda Motor Co., Ltd.

CONTENTS

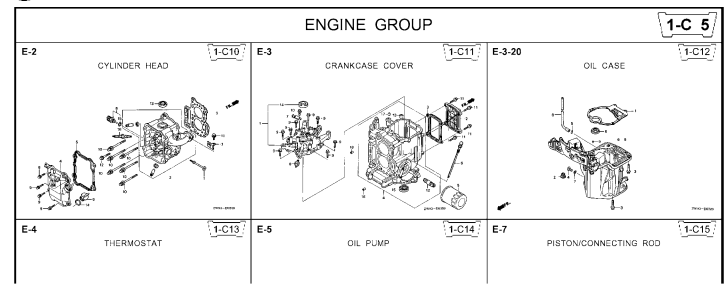
	Page	Address No.	
● How to refer to the part information	2	B 2	1
● Part catalogue structure	3	B 3	
● When the parts were revised	4	B 4	
● Abbreviations used in the parts catalogue.....	4	B 4	
● How to check the part block and serial numbers.....	5	B 5	
● Models, parts catalogue codes and applicable serial numbers	6	B 6	
● Features of each type.....	13	B13	
● Fuel hose, general purpose hoses and vinyl hose.....	32	C16	
● How to use the flat rate time (F.R.T.)	33	D 1	
● Illustrated index	35	D 3	
● ENGINE GROUP.....	43	E 1	2
● PART NO. INDEX.....	265	2-F 1	3
● PART NAME INDEX.....	272	2-G 1	4



How to refer to the part information

1

A Reference with "Illustrated index"



B Reference with "Part number index"

PART NO. INDEX

Part Number	Address	Page	Ref.	Part Number	Address	Page
06000				15212-ZW9-000	1-C14	3C
06316-ZW9-000	1-G9	88	1	15220-ZW9-003	1-C14	3C
11000				15332-ZW9-000	1-E8	55
11300-ZW9-405	1-C11	27	1	15332-ZW9-A30	1-E11	5E
11300-ZW9-406	1-C11	27	1	15400-PFB-004	1-C11	27
11340-ZW9-000	1-C11	27	2	15422-ZW9-000	1-C14	3C
11342-ZW9-000	1-C11	27	3	15473-881-000	1-C14	3C
11381-ZW9-003	1-C12	28	1	15474-ZW9-000	1-C14	3C
				15611-921-000	1-C10	2E
				15655-ZW9-000	1-C11	27
				16000		
12000				16010-ZV4-005	1-D4	3E
12000-ZW9-405ZA	1-C11	27	4	16011-ZV4-005	1-D4	3E
12155-ZV4-A00	1-C13	29	1	16013-ZW9-003	1-D4	3E
12166-ZW9-000	1-C10	26	1	16016-ZW9-003	1-D4	3E
12209-GB4-681	1-C16	32	1	16016-ZW9-721	1-D4	3E
12210-ZW9-405ZA	1-C10	26	2	16023-ZW9-003	1-D4	3E
12216-ZE2-300	1-E8	55	1	16024-ZV4-650	1-D4	3E
	1-E11	58	1	16028-ZV4-650	1-D4	3E

C Reference with "Part name index"

PART NAME INDEX

Part name	Address	Page	Ref.
[A]			
ABSORBER, FUEL	1-E15	62	5
ARMATURE COMP.	1-D11	43	7
ARM COMP., LINK JOINT	1-G6	85	18
ARM COMP., SHIFT LINK	1-G6	85	14
ARM COMP., TILT	1-F15	79	20
ARM, FUEL PUMP ROCKER	1-C16	32	4
ARM, REVERSE LOCK	1-F15	79	18
ARM, SHIFT LINK	1-F11	74	7
ARM, STOPPER	1-D1	33	12
ARM, THROTTLE REMOTE	1-F11	74	6
ARM, VALVE ROCKER	1-C16	32	3
[B]			
BAG, TOOL, 160MM	1-G5	84	10
BAND	1-G6	86	37
BAND B1, WIRE	1-F6	69	1
BAND, CORD	1-F3	67	18
BAND, TUBE CLIP, 11MM	1-E15	63	20
BAND, TUBE CLIP, 12.5MM	1-E15	63	19

Address No. 1-C10

Block No. E-2 CYLINDER HEAD

Ref No.

Ref. No.	Part No.	Description	Reqd. QTY						Serial No.	Parts catalogue code
			BF 9901	BFP 9901	BF 1001	BFP 1001	BF 10B1	BFP 10B1		
1	12166-ZW9-000	STOPPER, ENGINE SIDE	2	2	2	2	2			
2	12210-ZW9-000ZA	HEAD COMP., CYLINDER	1	1	1	1	1			
3	12251-ZW9-003	GASKET, CYLINDER HEAD	1	1	1	1	1			
4	12310-ZW9-000	COVER COMP., HEAD	1	1	1	1	1			
5	12312-ZW9-000	PACKINGS, HEAD COVER	1	1	1	1	1			
6	15611-921-000	CAP, OIL (NO GAUGE)	1	1	1	1	1			
7	16617-ZW9-000	HOLDER, CABLE	1	1	1	1	1	SC,SG		
	16617-ZW9-010		1	1	1	1	1	1001800	LHC,LHD	
			1	1	1	1	1	1001801	LHC,LHD	
8	35673-ZW5-003	SENSOR ASSY., WATER	1	1	1	1	1			
9	90003-ZW9-000	BOLT, FLANGE, 6X22	4	4	4	4	4			
10	90007-ZW9-003	BOLT, FLANGE, 8X83	6	6	6	6	6			
11	90011-ZW9-000	BOLT, FLANGE, 6X14(CT200)	1	1	1	1	1			
12	90020-ZW9-000	BOLT, FLANGE, 8X40	2	2	2	2	2			
13	91002-K19-003	OIL SEAL, 20X32X6	1	1	1	1	1			
14	91301-805-000	O-RING, 26X2.7	1	1	1	1	1			
15	91307-PK2-005	O-RING, 9.5X1.5(HONDA KIKAKI)	1	1	1	1	1			
16	98059-55916	PLUG, SPARK (CR5EH-9)	2	2	2	2	2			
	98059-55926	PLUG, SPARK (U16FER9)	2	2	2	2	2			

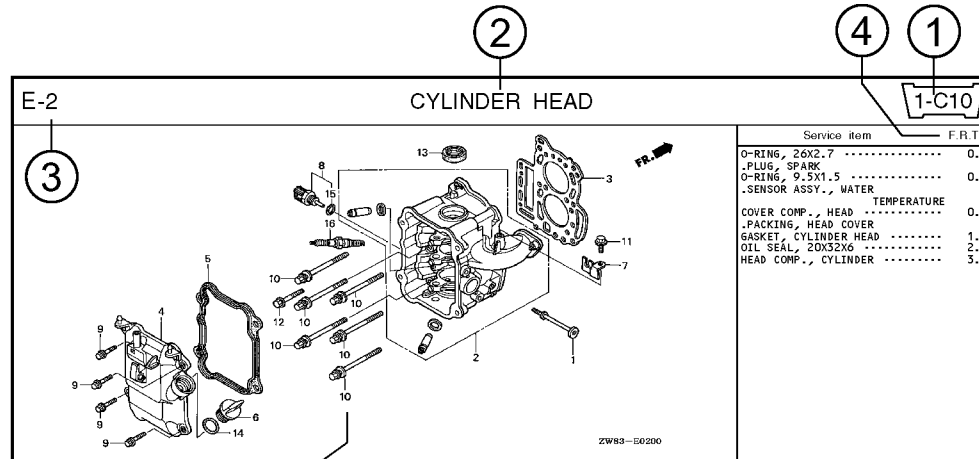
Service item F.R.T.

- O-RING, 26X2.7 0.1
- PLUG, SPARK 0.2
- O-RING, 9.5X1.5 0.2
- SENSOR ASSY., WATER TEMPERATURE 0.3
- COVER COMP., HEAD 0.3
- PACKING, HEAD COVER 1.8
- GASKET, CYLINDER HEAD 2.4
- OIL SEAL, 20X32X6 2.4
- HEAD COMP., CYLINDER 3.1

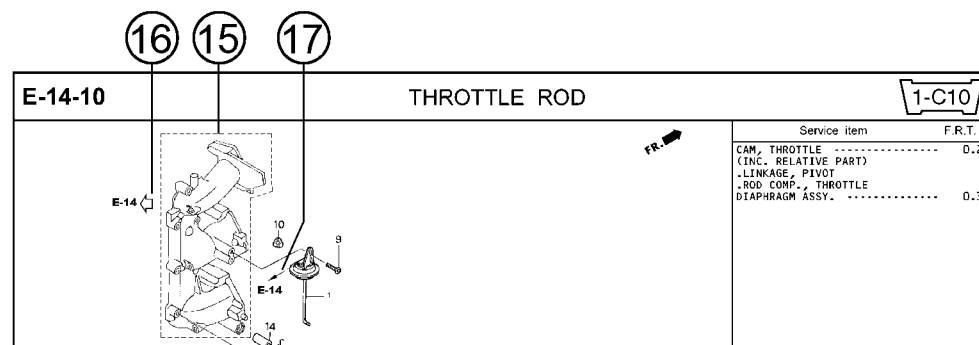
2000.09.20 E

Page No.

Part catalogue structure



Ref. No.	Part No.	Description	Reqd. QTY						Serial No.	Parts catalogue code
			BF 9/9D1	BFP 9/9D1	BF 10D1	BFP 10D1	BF 10B1	BFP 10B1		
1	12166-zw9-000	STOPPER, ENGINE SIDE	2	2	2	2	2	2		
2	12210-zw9-000ZA	HEAD COMP., CYLINDER *NHS* DARK GRAY	1	1	1	1	1	1		
3	12251-zw9-003	GASKET, CYLINDER HEAD	1	1	1	1	1	1		
4	12310-zw9-000	COVER COMP., HEAD	1	1	1	1	1	1		
5	12312-zw9-000	PACKING, HEAD COVER	1	1	1	1	1	1		
6	15611-921-000	CAP, OIL (NO GAUGE)	1	1	1	1	1	1		
7	16617-zw9-000	HOLDER, CABLE	1	1	1	1	1	1	SC,SG	
	16617-zw9-010		1	1	1	1	1	1	1001800 LHC,LHD	



① Address number

- Address No. is provided (in place of the page No.) to help you refer to the part with the part No. or part name.

② Block title ③ Block number

④ Service item/Flat rate time

⑤ Reference number

- Title number marked with the parenthesis or parentheses indicates that it continues from the previous page.

⑥ Part number ⑦ Honda color code

⑧ Description

⑨ Assemblies

- Sections framed with broken lines in the exploded view drawings are available as complete assemblies. (Their individual parts can also be obtained.)

⑩ Color description

⑪ Note

- Notes are shown with the parentheses in the part name column.

⑫ Required quantity

- Required QTY shown in the parenthesis or parentheses indicates the optional part.
- Required QTY marked with "N" Indicates the optional part that should be selected as needed.
- Required QTY indicates the number of the part used in the block.

⑬ Serial number

⑭ Type

- When the type column is blank, it indicates that the part is applicable to all types.
- As the type of the actual unit may differ from the "parts catalogue, type" please refer to "Models, types and applicable serial numbers" for confirmation.

⑮

- Parts enclosed within a dotted line are covered in a different block.

⑯

- A hollow arrow indicates the block No. for the parts enclosed within a dotted line .

⑰

- A solid arrow indicates the block No. the part in question is connected to.

When the parts were revised

Abbreviations used in the parts catalogue

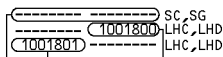
1



Be sure to check the serial number!!



Ref. No.	Part No.	Description	Reqd. QTY						Serial No.
			BF 99D1	BFP 99D1	BF 10D1	BFP 10D1	BF 10B1	BFP 10B1	
1	12166-ZW9-000	STOPPER, ENGINE SIDE	2	2	2	2	2	2	
2	12210-ZW9-000ZA	HEAD COMP., CYLINDER *NH8*.....DARK GRAY	1	1	1	1	1	1	
3	12251-ZW9-003	GASKET, CYLINDER HEAD	1	1	1	1	1	1	
4	12310-ZW9-000	COVER COMP., HEAD	1	1	1	1	1	1	
5	12312-ZW9-000	PACKING, HEAD COVER	1	1	1	1	1	1	
6	15611-921-000	CAP, OIL (NO GAUGE)	1	1	1	1	1	1	
7	16617-ZW9-000	HOLDER, CABLE	1	1	1	1	1	1	
	16617-ZW9-010	1	1	1	1	1	1	



The number has been used from the initial model without revision.

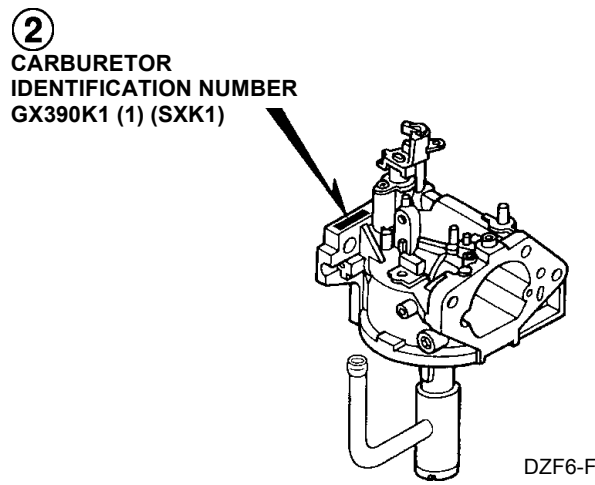
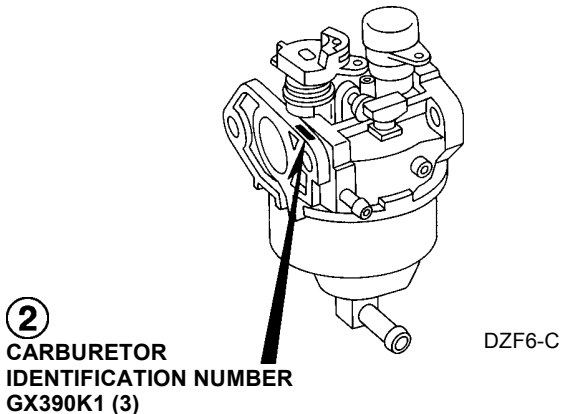
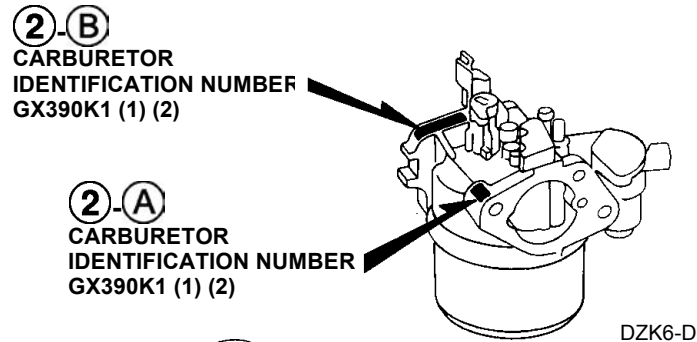
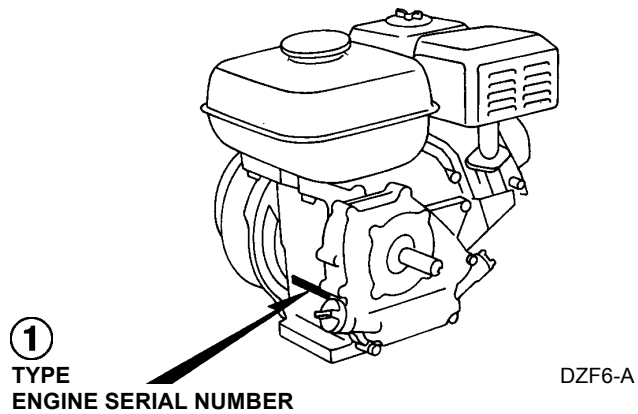
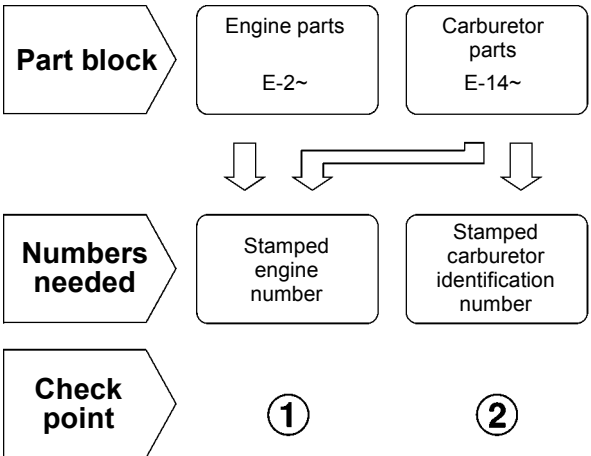
When shown at the left side, it is applicable to the models of No.1001801 and the subsequent numbers.

When shown at the right side, it is applicable to the models up to No.1001800.

The following abbreviations are used in the parts name column.

- A Ampere
- A.C. Alternating current
- ASSY. Assembly
- AT. Automatic transmission
- C.D.I. Capacitive discharge ignition
- COMP. ... Complete
- D.C. Direct current
- EX. Exhaust
- G.F.C.I ... Ground fault circuit interruptor
- HEX. Hexagonal
- H.S.T. Hydrostatic transmission
- FR.Front
- IN.Inlet
- L (100L) .Link (100 Links)
- L.Left
- MMMillimeter
- MT.Manual Transmission
- P.T.O.Power take off
- R.Right
- RR.Rear
- STD.Standard
- T (22T) ...Tooth (22 Teeth)
- VVolt
- WWatt

How to check the part block and serial numbers



Models, parts catalogue codes and applicable serial numbers

- Models, parts catalogue codes and applicable serial Nos. given in this parts catalogue can be identified as follows.

Model	Type	Parts catalogue type	Applicable engine serial No.	Applicable carburetor identification No.
GX390K1 (1)	BJ	BJ	GCAA-2000001~2787099	BE48B A/B
	EDD2	EDD2	GCAA-2000001~3399999	BE87A B
	EDS	EDS		BE50A A/B/C, BE87A B, BE87G A
	EDS1	EDS1		BE87A B, BE87G A
	EDS2	EDS2		BE50A A/B/C
	EDS3	EDS3		BE38C A/B
	EDS5	EDS5		BE87G A
	EDS6	EDS6		BE50A C
	EDS7	EDS7		BE50A A/B/C, BE87A B, BE87G A
	EDT1	EDT1		BE50A C
	EDT5	EDT5		BE87G A
	EDT6	EDT6		BE50A A/B, BE87A A
	ED6	ED6		BE48B A/B, BE85B B, BE85J A
	ED8	ED8		BE87A B
	ED9	ED9		BE48B A/B
	EN6	EN6		BE50A A/B/C, BE87A B
	ES1	ES1		BE50A C, BE87A B
	ES3	ES3		BE50A A/B/C, BE87A B
	ES4	ES4		BE50A C, BE87A B
	ES5	ES5		BE50A A/B/C, BE87A B
	EWS1	EWS1		GCAA-2000001~2787099
	EWS3	EWS3	BE85A A/B	
	EWS4	EWS4	BE85B A/B	
	EWS5	EWS5	BE48B A/B, BE85B B	
	HA	HA	BE48B A/B	
	HAQ	HAQ	GCAA-2000001~3399999	BE85A A/B
	HA2	HA2		BE85B A/B
	HH	HH	GCAA-2000001~2787099	BE48B A/B, BE85B B
	HJA	HJA	GCAA-2000001~3399999	BE48B A/B
	HJA2	HJA2	GCAA-2000001~2787099	BE85B A/B
	HX	HX	GCAA-2000001~3399999	BE48B A/B
	LH	LH	GCAA-2000001~2787099	BE48B A/B, BE85B B
LHB1	LHB1	GCAA-2000001~3399999	BE48B A/B	
LHB3	LHB3	GCAA-2000001~2787099	BE48B A/B, BE85B B	
LHC	LHC	GCAA-2000001~3399999	BE48B A/B, BE85B B	
LHE	LHE	GCAA-2000001~2787099	BE49A A/B	
		GCAA-2000001~3399999	BE48B A/B, BE85B B	

Model	Type	Parts catalogue type	Applicable engine serial No.	Applicable carburetor identification No.	
GX390K1 (1)	LHP1	LHP1	GCAA-2000001~3399999	BE48B A/B, BE85B B	
	LHW	LHW		BE48B B	
	LJ	LJ		BE48B A/B, BE85B B	
	LJG	LJG		BE85B B	
	LKE	LKE		BE85E B	
	LKF1	LKF1		BE48B B, BE85B B	
	LMH	LMH		BE84A A	
	LP	LP		BE48B B	
	LT	LT		BE48B A/B, BE85B B	
	LTK	LTK		BE48B B	
	LTK1	LTK1		BE48B B	
	LWD	LWD		BE49A A/B	
	LWD1	LWD1		BE48C B	
	LX	LX		BE48B A/B, BE85B B	
	LXE	LXE		BE85B A/B	
	LXE2	LXE2		BE48B A/B, BE85B B	
	LXE4	LXE4		BE48B B, BE85B B	
	LXE8	LXE8	BE48B A/B, BE85B B		
	LXQ4	LXQ4	BE48B B, BE85B B		
	LXU	LXU	GCAA-2000001~2787099	BE48B A/B	
	LXZ	LXZ	GCAA-2000001~3399999	BE85B A/B	
	LX2	LX2		BE85B B	
	PAE2	PAE2		BE48B A/B, BE85B B	
	PA2	PA2		BE48B B, BE85B B	
	PX	PX		GCAA-2000001~2787099	BE48B A/B
	QAE	QAE		GCAA-2000001~3399999	BE85B A/B
	QAE2	QAE2		GCAA-2000001~2787099	BE85A A/B
	QAE6	QAE6	GCAA-2000001~3399999	BE85B B	
	QAQ	QAQ		BE85B A/B	
	QAW	QAW			
QA2	QA2				
QA26	QA26				

Model	Type	Parts catalogue type	Applicable engine serial No.	Applicable carburetor identification No.
GX390K1 (1)	QDW9	QDW9	GCAA-2000001~3399999	BE85C A/B
	QE	QE		BE48B A/B, BE85B B
	QH	QH		
	QHB3	QHB3		
	QHC	QHC	GCAA-2000001~2787099	BE49A A/B
	QHE	QHE	GCAA-2000001~3399999	BE48B A/B, BE85B B
	QHP1	QHP1		BE48B B, BE85B B
	QH2	QH2	GCAA-2000001~2787099	BE85B A/B
	QKA2	QKA2	GCAA-2000001~3399999	BE48B A/B, BE85B B
	QKA4	QKA4		
	QKB2	QKB2		BE85B B
	QKE2	QKE2	GCAA-2000001~2787099	BE85B A/B
	QK4	QK4	GCAA-2000001~3399999	BE85B B
	QME0	QME0		BE48B A/B, BE85B B
	QME1	QME1	GCAA-2000001~2485886	BE49A A/B
	QMH	QMH	GCAA-2000001~3399999	BE48B B, BE85B B
	QMP	QMP	GCAA-2000001~9999999	BE48B B
	QND	QND	GCAA-2000001~3399999	BE85B B
	QNE	QNE		BE48B A/B, BE85B B
	QNE2	QNE2		BE85B A/B
	QNE6	QNE6		
	QNE8	QNE8		
	QNE9	QNE9		BE48B B, BE85B B
	QNK	QNK		BE85A A/B
	QNR2	QNR2		BE85B B
	QNR6	QNR6		BE85B A/B
	QNR6	QNR6		BE85B B
	QN18	QN18		BE48B A/B, BE85B B
	QP	QP		BE48B A/B
	QT	QT		
QWA2	QWA2	BE85B B		
QWA4	QWA4	BE85C B		
QWC4	QWC4			
QWH2	QWH2			
QWT2	QWT2	BE48B A/B, BE85B B		
QX	QX			
QXB	QXB			

Model	Type	Parts catalogue type	Applicable engine serial No.	Applicable carburetor identification No.
GX390K1 (1)	QXB7	QXB7	GCAA-2000001~3399999	BE85B B
	QXC	QXC		BE49A A/B, BE85C B
	QXC4	QXC4		BE49A A/B
	QXC6	QXC6		BE85C A/B
	QXC9	QXC9		
	QXE	QXE		BE48B A/B, BE85B B
	QXEB	QXEB		
	QXE2	QXE2		BE85B A/B
	QXE4	QXE4		BE48B A/B, BE85B B
	QXE6	QXE6		BE85B A/B
	QXE7	QXE7		BE85B B
	QXE8	QXE8		BE48B B, BE85B B
	QXQ4	QXQ4		BE48B A/B, BE85B B
	QXQ7	QXQ7		BE85B B
	QXS4	QXS4		BE85C B
	QXU	QXU		BE48B B, BE85B B
	SCK4	SCK4	BE48B A/B, BE85B B	
	SE	SE	GCAA-2000001~2787099	BE48B A/B
	SH	SH	GCAA-2000001~3399999	BE48B A/B, BE85B B
	SHB1	SHB1	GCAA-2000001~2497220	
	SHB3	SHB3	GCAA-2000001~3399999	
	SHE	SHE		
	SHEZ	SHEZ	GCAA-2000001~2787099	BE48B A
	SHQ4	SHQ4	GCAA-2000001~3399999	BE48B A/B, BE85B B
	SHW	SHW		BE48B A/B
	SJ	SJ		BE48B A/B, BE85B B
	SJG	SJG		
	SKA	SKA	GCAA-2000001~2787099	BE48B A/B
	SKAE	SKAE	GCAA-2000001~3399999	BE85B B
	SMC1	SMC1		BE48B A/B, BE85B B
SMD3	SMD3	BE48B A/B		
SME0	SME0	BE48B A/B, BE85B B		
SME1	SME1	BE48B B, BE85B B		
SME6	SME6	BE48B A/B, BE85B B		
SMX	SMX	BE48B B, BE85B B		
SM11	SM11			

Model	Type	Parts catalogue type	Applicable engine serial No.	Applicable carburetor identification No.
GX390K1 (1)	SM32	SM32	GCAA-2000001~3399999	BE85B B
	SN	SN		BE48A A/B
	SNC	SNC		BE49A A/B
	SNC9	SNC9	GCAA-2000001~2787099	BE85C A/B
	SNT2	SNT2		BE85B A/B
	STC4	STC4	GCAA-2000001~3399999	BE48B A/B, BE85B B
	SWA4	SWA4		BE48B B, BE85B B
	SWE	SWE		BE48B A/B
	SWX	SWX		BE48B A/B, BE85B B
	SX	SX		
	SXB	SXB		BE85B B
	SXB7	SXB7		
	SXC	SXC		BE48B A/B, BE85B B
	SXE	SXE		
	SXEB	SXEB		
	SXE4	SXE4		
	SXE7	SXE7		
	SXE8	SXE8		
	SXK	SXK	GDAAM-1000001~1099999	BE85B B
	SXK1	SXK1		BE48B B, BE85B B
	SXP	SXP	GCAA-2000001~2787099	BE85G A/B/C
	SXP	SXP	GCAA-2000001~2787099	BEL5E E
	SXQ4	SXQ4	GCAA-2000001~3399999	BE48B A/B
	SXU	SXU		BE48B A/B
	SX2	SX2	GCAA-2000001~2787099	BE48B B, BE85B B
	VA	VA		BE85B A/B
	VAA	VAA	GCAA-2000001~2453204	BE48B A/B
	VAAE	VAAE		BE48B A, BE50A B, BE87D A/B/C
	VAAE	VAAE	GCAA-2000001~2787099	BE48B A/B
	VAA1	VAA1	GCAA-2000001~3399999	BE87D C
VAC2	VAC2	BE85J A		
VAG2	VAG2	BE85B A/B, BE85F A, BE85J A		
VA2	VA2			
VCN2	VCN2	BE85J A		
VC2	VC2	BE87F A		
VDB2	VDB2	BE85J A		
VDE1	VDE1	GCAA-2000001~2787099		BE48B A/B
VDE2	VDE2	GCAA-2000001~3399999		BE85B A/B, BE85F A, BE85J A

Model	Type	Parts catalogue type	Applicable engine serial No.	Applicable carburetor identification No.		
GX390K1 (1)	VD2	VD2	GCAA-2000001~3399999	BE85F A, BE85J A		
	VE	VE	GCAA-2000001~2787099	BE48B A/B		
	VH	VH	GCAA-2000001~3399999			
	VHE	VHE	GCAA-2000001~2787099			
	VJE2	VJE2	GCAA-2000001~9999999		BE85F A, BE85J A	
	VJ2	VJ2				
	VKB2	VKB2				
	VK2	VK2		BE85J A		
	VMA2	VMA2		BE85B A/B, BE85F A, BE85J A		
	VME2	VME2		BE85F A, BE85J A		
	VMT	VMT		BE50A C		
	VMX	VMX		BE48B A/B, BE85B B		
	VM2	VM2		BE85F A, BE85J A		
	VNG1	VNG1		GCAA-2000001~3399999	BE48B A/B, BE85B B, BE85J A	
	VNG2	VNG2				
	VN17	VN17	BE85J A			
	VN27	VN27				
	VPE4	VPE4	BE87E B, BE87F A			
	VPE7	VPE7	BE87F A			
	VPX4	VPX4	BE87E B, BE87F A			
	VPX7	VPX7	BE87F A			
	VSB1	VSB1	BE50A C			
	VSB3	VSB3				
	VSD	VSD			BE48B A/B, BE85B B, BE85J A	
	VSD4	VSD4			BE87E A/B	
	VSD7	VSD7			BE85J A	
	VTE1	VTE1			GCAA-2000001~2492905	BE48B B, BE85B B, BE85J A
	VTE2	VTE2			GCAA-2000001~2787099	BE87A B
	VTE5	VTE5	GCAA-2000001~3399999		BE48B B	
	VWA	VWA	GCAA-2000001~2787099		BE48B A/B	
	VWA2	VWA2	GCAA-2000001~3399999	BE85B A/B, BE85F A, BE85J A		
	VWT4	VWT4		BE48B B		
	VX	VX				
VXB	VXB	BE48B A/B, BE85B B, BE85J A				
VXB7	VXB7					
VXE	VXE	BE85J A				
		BE48B A/B, BE85B B, BE85J A				

Model	Type	Parts catalogue type	Applicable engine serial No.	Applicable carburetor identification No.
GX390K1 (1)	VXEB	VXEB	GCAA-2000001~3399999	BE48B A/B, BE85B B, BE85J A
	VXE2	VXE2		BE85B A/B, BE85F A, BE85J A
	VXE4	VXE4		BE48B A/B, BE85B B, BE85J A
	VXE6	VXE6		BE85F A, BE85J A
	VXE7	VXE7		BE85J A
	VXE8	VXE8		BE48B B, BE85B B, BE85J A
	VXFB	VXFB	GCAA-2000001~2429455	
	VXQ4	VXQ4	GCAA-2000001~3399999	BE48B A/B, BE85B B, BE85J A
	VXTB	VXTB	GCAA-2000001~2440551	BE48B B, BE85B B, BE85J A
	VXT1	VXT1		BE48B B
	VXU	VXU	GCAA-2000001~3399999	BE48B A/B, BE85B B, BE85J A
	VXU1	VXU1		
	VX8	VX8		BE48B B, BE85B B, BE85J A
	YJ	YJ	GCAA-2000001~2787099	BE48B A/B
ZK1	ZK1		BE48B A, BE87C A/B/C/D	
GX390K1 (2)	L1	L1	GCAA-2000001~3399999	
	Q1	Q1		BE48A A/B, BE48B A/B, BE49A A/B
	S1	S1		
	V1	V1		
GX390K1 (3) (PROPANE)	QAP	QAP	GDAF-1000001~1003428	BEL5A A
	SXKP	SXKP		BEL5B A
	VAP	VAP	GDAF-1000001~1099999	
	VXP	VXP		BEL5A A
	VXQP	VXQP		

* Of carburetor identification numbers, only the portions underlined in the example below are used for registration.

GX390K1 (1) (2) BE 48B A KC ナ
 (A) (B)

GX390K1 (1) (SXX1)
 GX390K1 (3) BEL 5E E KC ナ

Features of each type

• See the following table for the features of each type.

Model		GX390K1												
		Standard equipment (1)												
Specifications	Type	BJ	EDD2	EDS	EDS1	EDS2	EDS3	EDS5	EDS6	EDS7	EDT1	EDT5	EDT6	ED6
		Crankshaft	5/16" Tapered											
35mm Ø Tapered			●	●	●	●	●	●	●	●	●	●	●	●
25mm Ø Straight														
25.4mm Ø Straight														
30mm Ø Straight														
20mm Ø Spline														
25.4mm Ø Spline														
30mm Ø Spline	●													
Air cleaner	Silent	●												
	Oil bath													
	Cyclone													
	Standard (Generator)		●	●	●	●	●	●	●	●	●	●	●	●
	Standard (Rammer)													
	Semi dry													
Muffler	Standard (Snow thrower)													
	Silent	●												
	Standard													
Coil	Generator		●	●	●	●	●	●	●	●	●	●	●	●
	Lamp coil		●							●		●		●
Oil alert	Charge coil		●	●	●	●	●	●	●	●				
			●		●	●			●	●	●	●	●	●
Starter motor		●	●	●	●	●	●	●	●	●				
Reduction		●												

1

Specifications		Model	GX390K1												
		Type	Standard equipment (1)												
			ED8	ED9	EN6	ES1	ES3	ES4	ES5	EWS1	EWS3	EWS4	EWS5	HA	HAQ
Crankshaft	5/16" Tapered														
	35mm Ø Tapered	●	●	●	●	●	●	●	●	●	●	●	●		
	25mm Ø Straight														
	25.4mm Ø Straight														
	30mm Ø Straight														
	20mm Ø Spline													●	●
	25.4mm Ø Spline														
	30mm Ø Spline														
Air cleaner	Silent	●	●		●									●	●
	Oil bath														
	Cyclone														
	Standard (Generator)			●		●	●	●	●	●	●	●			
	Standard (Rammer)														
	Semi dry														
	Standard (Snow thrower)														
Muffler	Silent	●	●		●									●	●
	Standard														
	Generator			●		●	●	●	●	●	●	●			
Coil	Lamp coil			●						●	●	●	●		
	Charge coil							●	●			●	●		
Oil alert			●					●	●	●	●	●	●		
Starter motor								●	●			●	●		
Reduction														●	●

Specifications		Model	GX390K1												
		Type	Standard equipment (1)												
		HA2	HH	HJA	HJA2	HX	LH	LHB1	LHB3	LHC	LHE	LHP1	LHW	LJ	
Crankshaft	5/16" Tapered														
	35mm Ø Tapered														
	25mm Ø Straight														
	25.4mm Ø Straight														
	30mm Ø Straight														
	20mm Ø Spline	●	●	●	●	●									
	25.4mm Ø Spline														
	30mm Ø Spline						●	●	●	●	●	●	●	●	
Air cleaner	Silent	●	●	●	●	●	●	●	●		●	●		●	
	Oil bath												●		
	Cyclone									●					
	Standard (Generator)														
	Standard (Rammer)														
	Semi dry														
	Standard (Snow thrower)														
Muffler	Silent	●	●	●	●	●	●	●	●	●	●	●		●	
	Standard												●		
	Generator														
Coil	Lamp coil											●			
	Charge coil			●	●						●				
Oil alert		●			●	●									
Starter motor											●				
Reduction		●	●	●	●	●	●	●	●	●	●	●	●	●	

Specifications		Model	GX390K1											
		Type	Standard equipment (1)											
		LJG	LKE	LKF1	LMH	LP	LT	LTK	LTK1	LWD	LWD1	LX	LXE	
Crankshaft	5/16" Tapered													
	35mm Ø Tapered													
	25mm Ø Straight													
	25.4mm Ø Straight													
	30mm Ø Straight													
	20mm Ø Spline													
	25.4mm Ø Spline													
	30mm Ø Spline	●	●	●	●	●	●	●	●	●	●	●	●	●
Air cleaner	Silent	●	●		●			●				●	●	
	Oil bath						●		●					
	Cyclone									●				
	Standard (Generator)													
	Standard (Rammer)													
	Semi dry			●										
	Standard (Snow thrower)										●			
Muffler	Silent	●	●	●	●		●	●	●	●		●	●	
	Standard										●			
	Generator													
Coil	Lamp coil					●	●			●2184663~				
	Charge coil		●	●				●	●	●~2184662	●		●	
Oil alert		●										●	●	
Starter motor			●	●				●	●	●	●		●	
Reduction		●	●	●	●	●	●	●	●	●	●	●	●	

Specifications		Model	GX390K1												
		Type	Standard equipment (1)												
		LXE2	LXE4	LXE8	LXQ4	LXU	LXZ	LX2	PAE2	PA2	PX	PXE	PXE8	PXU	
Crankshaft	5/16" Tapered														
	35mm Ø Tapered														
	25mm Ø Straight														
	25.4mm Ø Straight														
	30mm Ø Straight														
	20mm Ø Spline														
	25.4mm Ø Spline								●	●	●	●	●	●	
	30mm Ø Spline	●	●	●	●	●	●	●							
Air cleaner	Silent	●	●	●	●	●	●	●	●	●	●	●	●	●	
	Oil bath														
	Cyclone														
	Standard (Generator)														
	Standard (Rammer)														
	Semi dry														
	Standard (Snow thrower)														
Muffler	Silent	●	●	●	●	●	●	●	●	●	●	●	●	●	
	Standard														
	Generator														
Coil	Lamp coil														
	Charge coil	●	●	●					●			●	●		
Oil alert		●	●	●			●	●	●	●	●	●	●		
Starter motor		●	●	●					●			●	●		
Reduction		●	●	●	●	●	●	●							

1

Specifications		Model	GX390K1												
		Type	Standard equipment (1)												
			QA	QAE	QAE2	QAE6	QAQ	QAW	QA2	QA26	QDW9	QE	QH	QHB3	QHC
Crankshaft	5/16" Tapered														
	35mm Ø Tapered														
	25mm Ø Straight														
	25.4mm Ø Straight	●	●	●	●	●	●	●	●	●	●	●	●	●	●
	30mm Ø Straight														
	20mm Ø Spline														
	25.4mm Ø Spline														
	30mm Ø Spline														
Air cleaner	Silent	●	●	●	●	●	●	●	●	●		●	●	●	
	Oil bath														
	Cyclone										●				●
	Standard (Generator)														
	Standard (Rammer)														
	Semi dry														
	Standard (Snow thrower)														
Muffler	Silent	●	●	●	●	●	●	●	●	●	●	●	●	●	●
	Standard														
	Generator														
Coil	Lamp coil														
	Charge coil		●	●	●										
Oil alert		●	●	●	●		●	●		●					
Starter motor			●	●	●										
Reduction															

Specifications		Model	GX390K1												
		Type	Standard equipment (1)												
			QHE	QHP1	QH2	QKA2	QKA4	QKB2	QKE2	QK4	QME0	QME1	QMH	QMP	QND
Crankshaft	5/16" Tapered														
	35mm Ø Tapered														
	25mm Ø Straight														
	25.4mm Ø Straight		●	●	●	●	●	●	●	●	●	●	●	●	●
	30mm Ø Straight														
	20mm Ø Spline														
	25.4mm Ø Spline														
	30mm Ø Spline														
Air cleaner	Silent		●	●	●	●	●	●	●	●	●		●	●	●
	Oil bath														
	Cyclone											●			
	Standard (Generator)														
	Standard (Rammer)														
	Semi dry														
	Standard (Snow thrower)														
Muffler	Silent		●	●	●	●	●	●	●	●	●	●	●	●	●
	Standard														
	Generator														
Coil	Lamp coil														
	Charge coil		●				●	●	●		●	●		●	●
Oil alert						●	●	(●)	●	●	●		●	●	
Starter motor		●				●	●	●		●	●		●	●	
Reduction															

1

Specifications		Model	GX390K1												
		Type	Standard equipment (1)												
			QNE	QNE2	QNE6	QNE8	QNE9	QNK	QNR2	QNR6	QN18	QP	QT	QWA2	QWA4
Crankshaft	5/16" Tapered														
	35mm Ø Tapered														
	25mm Ø Straight														
	25.4mm Ø Straight	●	●	●	●	●	●	●	●	●	●	●	●	●	●
	30mm Ø Straight														
	20mm Ø Spline														
	25.4mm Ø Spline														
	30mm Ø Spline														
Air cleaner	Silent	●	●	●	●	●	●	●	●	●	●			●	
	Oil bath											●	●		
	Cyclone														●
	Standard (Generator)														
	Standard (Rammer)														
	Semi dry														
	Standard (Snow thrower)														
Muffler	Silent	●	●	●	●	●	●	●	●	●	●	●	●	●	●
	Standard														
	Generator														
Coil	Lamp coil											●			
	Charge coil	●	●	●	●	●	●	●	●	●	●			●	
Oil alert		●	●	(●)	●	●		●	●	●				●	●
Starter motor		●	●	●	●	●	●	●	●	●					
Reduction															

Specifications		Model	GX390K1											
		Type	Standard equipment (1)											
			QWC4	QWH2	QWT2	QX	QXB	QXB7	QXC	QXC4	QXC6	QXC9	QXE	QXEB
Crankshaft	5/16" Tapered							●						
	35mm Ø Tapered													
	25mm Ø Straight													
	25.4mm Ø Straight	●	●	●	●	●			●	●	●	●	●	●
	30mm Ø Straight													
	20mm Ø Spline													
	25.4mm Ø Spline													
	30mm Ø Spline													
Air cleaner	Silent				●	●	●						●	●
	Oil bath													
	Cyclone	●	●	●					●	●	●	●		
	Standard (Generator)													
	Standard (Rammer)													
	Semi dry													
	Standard (Snow thrower)													
Muffler	Silent	●	●	●	●	●	●	●	●	●~2362177	●	●	●	●
	Standard									●2362178~				
	Generator													
Coil	Lamp coil													
	Charge coil	●	●										●	●
Oil alert		●	●	●	●	●	●	●			●	●	●	
Starter motor			●										●	●
Reduction														

Specifications		Model	GX390K1												
		Type	Standard equipment (1)												
			QXE2	QXE4	QXE6	QXE7	QXE8	QXQ4	QXQ7	QXS4	QXU	SCK4	SE	SH	SHB1
Crankshaft	5/16" Tapered					●			●						
	35mm Ø Tapered														
	25mm Ø Straight											●	●	●	●
	25.4mm Ø Straight	●	●	●		●	●			●	●				
	30mm Ø Straight														
	20mm Ø Spline														
	25.4mm Ø Spline														
	30mm Ø Spline														
Air cleaner	Silent	●	●	●	●	●	●	●	●		●	●	●	●	●
	Oil bath														
	Cyclone									●					
	Standard (Generator)														
	Standard (Rammer)														
	Semi dry														
	Standard (Snow thrower)														
Muffler	Silent	●	●	●	●	●	●	●	●		●	●	●	●	●
	Standard									●					
	Generator														
Coil	Lamp coil														
	Charge coil	●	●	●	●	●	●					●			
Oil alert		●	●	●	●	●		●	●		●				
Starter motor		●	●	●	●	●					●				
Reduction															

Specifications		Model	GX390K1											
		Type	Standard equipment (1)											
			SHB3	SHE	SHEZ	SHQ4	SHW	SJ	SJG	SKA	SKAE	SMC1	SMD3	SME0
Crankshaft	5/16" Tapered													
	35mm Ø Tapered													
	25mm Ø Straight	●	●	●	●	●	●	●	●	●	●	●	●	●
	25.4mm Ø Straight													
	30mm Ø Straight													
	20mm Ø Spline													
	25.4mm Ø Spline													
	30mm Ø Spline													
Air cleaner	Silent	●	●	●	●	●	●	●	●	●	●	●	●	●
	Oil bath													
	Cyclone													
	Standard (Generator)													
	Standard (Rammer)													
	Semi dry													
	Standard (Snow thrower)													
Muffler	Silent	●	●	●	●	●	●	●	●	●	●	●	●~2362177	●
	Standard												●2362178~	
	Generator													
Coil	Lamp coil											●		
	Charge coil		●	●		●				●	●			●
Oil alert						●				●				●
Starter motor			●	●		●				●	●			●
Reduction														

Specifications		Model	GX390K1											
		Type	Standard equipment (1)											
			SME1	SME6	SMX	SM11	SM32	SN	SNC	SNC9	SNT2	STC4	SWA4	SWE
Crankshaft	5/16" Tapered													
	35mm Ø Tapered													
	25mm Ø Straight	●	●	●	●	●	●	●	●	●	●	●	●	●
	25.4mm Ø Straight													
	30mm Ø Straight													
	20mm Ø Spline													
	25.4mm Ø Spline													
	30mm Ø Spline													
Air cleaner	Silent	●	●	●	●	●	●				●	●	●	
	Oil bath													●
	Cyclone								●	●				
	Standard (Generator)													
	Standard (Rammer)													
	Semi dry													
	Standard (Snow thrower)													
Muffler	Silent	●	●	●	●	●	●	●~2362177	●	●	●	●	●	●
	Standard							●2362178~						
	Generator													
Coil	Lamp coil													
	Charge coil	●	●			●						●		●
Oil alert						●					●			
Starter motor		●				●					●		●	
Reduction														

Specifications		Model	GX390K1												
		Type	Standard equipment (1)												
			SWX	SX	SXB	SXB7	SXC	SXE	SXEB	SXE4	SXE7	SXE8	SXK	SXK1	SXP
Crankshaft	5/16" Tapered					●					●				
	35mm Ø Tapered														
	25mm Ø Straight	●	●	●		●	●	●	●			●	●	●	●
	25.4mm Ø Straight														
	30mm Ø Straight														
	20mm Ø Spline														
	25.4mm Ø Spline														
	30mm Ø Spline														
Air cleaner	Silent		●	●	●	●	●	●	●	●	●	●	●	●	●
	Oil bath	●													
	Cyclone														
	Standard (Generator)														
	Standard (Rammer)														
	Semi dry														
	Standard (Snow thrower)														
Muffler	Silent	●	●	●	●	●	●	●	●	●	●	●			●
	Standard														
	Generator														
Coil	Lamp coil	●													
	Charge coil							●	●	●	●	●	●	●	
Oil alert		●	●	●	●	●	●	●	●	●	●	●			●
Starter motor								●	●	●	●	●	●	●	
Reduction															

Specifications		Model	GX390K1										
		Type	Standard equipment (1)										
		SXQ4	SXU	SX2	VA	VAA	VAAE	VAA1	VAC2	VAG2	VA2	VCN2	VC2
Crankshaft	5/16" Tapered				●	●	●	●	●	●	●	●	●
	35mm Ø Tapered												
	25mm Ø Straight	●	●	●									
	25.4mm Ø Straight												
	30mm Ø Straight												
	20mm Ø Spline												
	25.4mm Ø Spline												
	30mm Ø Spline												
Air cleaner	Silent	●	●	●	●	●~2143011	●		●	●	●	●	
	Oil bath												
	Cyclone												
	Standard (Generator)					●2143012~		●					●
	Standard (Rammer)												
	Semi dry												
	Standard (Snow thrower)												
Muffler	Silent	●	●	●	●				●	●	●	●	
	Standard												
	Generator					●	●	●					
Coil	Lamp coil					●							
	Charge coil						●					●	●
Oil alert				●	●	●	●	●	●	●	●	●	●
Starter motor							●					●	●
Reduction													

Specifications		Model	GX390K1												
		Type	Standard equipment (1)												
			VDB2	VDE1	VDE2	VD2	VE	VH	VHE	VJE2	VJ2	VKB2	VK2	VMA2	VME2
Crankshaft	5/16" Tapered		●	●	●	●	●	●	●	●	●	●	●	●	●
	35mm Ø Tapered														
	25mm Ø Straight														
	25.4mm Ø Straight														
	30mm Ø Straight														
	20mm Ø Spline														
	25.4mm Ø Spline														
	30mm Ø Spline														
Air cleaner	Silent		●	●	●	●	●	●	●	●	●	●	●	●	●
	Oil bath														
	Cyclone														
	Standard (Generator)														
	Standard (Rammer)														
	Semi dry														
	Standard (Snow thrower)														
Muffler	Silent		●	●	●	●	●	●	●	●	●	●	●	●	●
	Standard														
	Generator														
Coil	Lamp coil													●	●
	Charge coil		●	●	●				●	●		●	●		●
Oil alert		●		●	●				●	●	●	●	●	●	●
Starter motor		●	●	●				●	●		●	●		●	●
Reduction															

Specifications		Model	GX390K1										
		Type	Standard equipment (1)										
		VMT	VMX	VM2	VNG1	VNG2	VN17	VN27	VPE4	VPE7	VPX4	VPX7	
Crankshaft	5/16" Tapered		●	●	●	●	●	●	●	●	●	●	
	35mm Ø Tapered	●											
	25mm Ø Straight												
	25.4mm Ø Straight												
	30mm Ø Straight												
	20mm Ø Spline												
	25.4mm Ø Spline												
	30mm Ø Spline												
Air cleaner	Silent		●	●	●	●	●	●					
	Oil bath												
	Cyclone												
	Standard (Generator)	●							●	●	●	●	
	Standard (Rammer)												
	Semi dry												
	Standard (Snow thrower)												
Muffler	Silent		●	●	●	●	●	●	●	●	●	●	
	Standard												
	Generator	●							●~2643255		●~2643255		
Coil	Lamp coil			●									
	Charge coil	●				●		●	●	●			
Oil alert	●		●	●	●	●	●	●	●	●	●		
Starter motor	●					●		●	●	●			
Reduction													

Specifications		Model	GX390K1												
		Type	Standard equipment (1)												
			VSB1	VSB3	VSD	VSD4	VSD7	VTE1	VTE2	VTE5	VWA	VWA2	VWT4	VX	VXB
Crankshaft	5/16" Tapered		●	●	●	●	●	●		●	●	●	●	●	●
	35mm Ø Tapered								●						
	25mm Ø Straight														
	25.4mm Ø Straight														
	30mm Ø Straight														
	20mm Ø Spline														
	25.4mm Ø Spline														
	30mm Ø Spline														
Air cleaner	Silent				●		●	●		●	●	●	●	●	●
	Oil bath														
	Cyclone														
	Standard (Generator)		●	●		●			●						
	Standard (Rammer)														
	Semi dry														
	Standard (Snow thrower)														
Muffler	Silent				●		●	●		●	●	●		●	●
	Standard														
	Generator		●	●					●						
Coil	Lamp coil								●						
	Charge coil			●		●		●		●	●	●			
Oil alert				●		●	●		●		●		●	●	
Starter motor			●		●		●		●	●	●	●			
Reduction															

Specifications		Model	GX390K1												
		Type	Standard equipment (1)												
			VXB7	VXE	VXEB	VXE2	VXE4	VXE6	VXE7	VXE8	VXFB	VXQ4	VXTB	VXT1	VXU
Crankshaft	5/16" Tapered		●	●	●	●	●	●	●	●	●	●	●	●	●
	35mm Ø Tapered														
	25mm Ø Straight														
	25.4mm Ø Straight														
	30mm Ø Straight														
	20mm Ø Spline														
	25.4mm Ø Spline														
	30mm Ø Spline														
Air cleaner	Silent		●	●	●	●	●	●	●	●	●	●	●	●	●
	Oil bath														
	Cyclone														
	Standard (Generator)				●										
	Standard (Rammer)														
	Semi dry														
	Standard (Snow thrower)														
Muffler	Silent		●	●	●	●	●	●	●	●	●	●	●	●	●
	Standard														
	Generator														
Coil	Lamp coil														
	Charge coil			●	●	●	●	●	●	●	●				
Oil alert		●	●	●	●	●	●	●	●	●				●	
Starter motor			●	●	●	●	●	●	●	●					
Reduction															

Specifications		Model		GX390K1										
		Type		Standard equipment (1)				Selective equipment (2)				Propane (3)		
		VXU1	VX8	YJ	ZK1	L1	Q1	S1	V1	QAP	SXKP	VAP	VXP	VXQP
Crankshaft	5/16" Tapered	●	●						●			●	●	●
	35mm Ø Tapered													
	25mm Ø Straight							●		●				
	25.4mm Ø Straight						●			●				
	30mm Ø Straight			●										
	20mm Ø Spline													
	25.4mm Ø Spline													
	30mm Ø Spline				●	●								
Air cleaner	Silent	●	●	●		(●)	(●)	(●)	(●)	●		●	●	●
	Oil bath					(●)	(●)	(●)	(●)					
	Cyclone					(●)	(●)	(●)	(●)					
	Standard (Generator)										●			
	Standard (Rammer)				●									
	Semi dry													
	Standard (Snow thrower)													
Muffler	Silent	●	●	●		(●)	(●)	(●)	(●)	●		●	●	●
	Standard					(●)	(●)	(●)	(●)					
	Generator													
Coil	Lamp coil					(●)	(●)	(●)	(●)					
	Charge coil	●			●	(●)	(●)	(●)	(●)		●	●		
Oil alert	●				(●)	(●)	(●)	(●)	●		●			
Starter motor	●			●	(●)	(●)	(●)	(●)		●	●			
Reduction				●	●									

Fuel hose, general purpose hoses and vinyl hose

- The standard part fuel hose, general purpose hose and vinyl hose may be substituted by the coiled bulk part.
- When ordering the standard part fuel hose, general purpose hose and vinyl hose use the bulk part number written in the parts catalog in brackets () underneath the part name.
- When exchanging the hose, cut and use at the specified length as mentioned in the part name.
(For the method of cutting the bulk part, and method of filling out orders etc., please refer to the instructions issued with the bulk part.)

Bulk part number of fuel hose, general purpose hose and vinyl hose.

Example: 9 5 0 0 1 - 7 5 0 0 1 - 5 0 M

Bulk part number:
Refers to the bulk part.

Marking code (fuel hose and general purpose hose)

Change code (Vinyl hose)

Indicates number mark or change sequence, however, the code for the bulk part must be strictly 0 (zero).

Types of code:

- | | | | | | |
|-------------|--|----------------|--|--------------|---|
| • Fuel hose | 2: Red outside braid
(3 mm inside dia. only) | • General hose | 1: Ash gray
2: Ash gray
3: Black
5: Black | • Vinyl hose | 1: Clear
2: Black
3: Light red
6: Light red
7: Pale black |
| | 5: Black inside braid | | | | |
| | 3: Red (3 mm inside dia. only) | | | | |
| | 4: Ash gray with red stripe
(3 mm inside dia. only) | | | | |
| | 6: Black | | | | |

Lengths:

- 001: 1 m (standard)
003: 3 m
008: 8 m } Application or specification of some parts is not settled.

I.D code: (fuel hose and general purpose hose)

- | | | | | |
|------------|--------------------|--------------------|-----------------------------|-----------------------------|
| 30: 3.0 mm | 50: 5.0 mm | 70: 7.0 mm | 11: 11 mm | 12: 12 (outside dia. 17) mm |
| 35: 3.5 mm | 55: 5.3 mm, 5.5 mm | 75: 7.3 mm, 7.5 mm | 91: 12 (outside dia. 15) mm | 14: 14 mm |
| 45: 4.5 mm | 65: 6.5 mm | 80: 8.0 mm | 92: 12 (outside dia. 16) mm | 17: 17 mm |

ID./OD. code: (vinyl hose)

- | | | | | |
|-------------------------|--------------------------|---------------------------|---------------------------|---------------------------|
| 01: ID. 2.9, OD. 6.8 mm | 12: ID. 5.0, OD. 7.0 mm | 21: ID. 8.0, OD. 9.0 mm | 37: ID. 11.0, OD. 15.0 mm | 50: ID. 16.0, OD. 19.0 mm |
| 03: ID. 3.0, OD. 6.0 mm | 10: ID. 5.0, OD. 8.0 mm | 23: ID. 8.0, OD. 12.0 mm | 38: ID. 12.0, OD. 13.0 mm | 55: ID. 17.5, OD. 20.5 mm |
| 05: ID. 3.5, OD. 6.5 mm | 11: ID. 5.0, OD. 9.0 mm | 25: ID. 9.0, OD. 11.0 mm | 39: ID. 12.0, OD. 14.0 mm | 60: ID. 22.0, OD. 27.0 mm |
| 07: ID. 4.0, OD. 7.0 mm | 14: ID. 6.0, OD. 9.0 mm | 27: ID. 9.0, OD. 13.0 mm | 40: ID. 12.0, OD. 16.0 mm | |
| 08: ID. 4.5, OD. 6.5 mm | 17: ID. 7.0, OD. 9.0 mm | 33: ID. 10.0, OD. 14.0 mm | 43: ID. 13.0, OD. 15.0 mm | |
| 09: ID. 4.5, OD. 8.0 mm | 19: ID. 7.0, OD. 11.0 mm | 36: ID. 11.0, OD. 13.0 mm | 45: ID. 14.0, OD. 18.0 mm | |

Hose type:

- 1: Fuel hose
3: Vinyl hose
5: General hose

⊙ **CAUTION: It is DANGEROUS to confuse the fuel hose with the general purpose hose or vinyl hose.**

Never use a general purpose hose or vinyl hose in place of a fuel hose or vice versa. Always use the correct bulk part in the parts catalogue, according to the service manual or the instructions issued with the bulk part.

How to use the flat rate time (F.R.T.)

This F.R.T. (Flat Rate Time) is used to determine the standard labor time allowed for replacement of parts covered by the warranty during the period the warranty is in effect. The F.R.T. for those parts which are not listed herein should be determined from the operation closely related to the replacement of that part.

1. The F.R.T. is based on the following servicing conditions

- a. A liberal allowance is added to the net servicing time.
- b. Standard times specified are based on the condition that the necessary servicing tools listed in the service manual which describes the Honda service policy are available close at hand and the work performed by a mechanic with normal skill.
- c. Time required for inspection and operational test following the servicing is included in the F.R.T.
- d. The F.R.T. for “•” marked parts are same as the F.R.T. for the representative part above.
- e. The F.R.T. shown with (*) includes engine removal and installation.

2. Method of computing

The job times are listed in tenth of an hour to simplify computation.

(Example) 0.3 = 18 minutes
5.6 = 5 hours and 36 minutes

CONVERSION CHART			
Hours	Minutes	Hours	Minutes
0.1	6	0.6	36
0.2	12	0.7	42
0.3	18	0.8	48
0.4	24	0.9	54
0.5	30	1.0	60

3. Computing the F.R.T.

The following are only examples and do not reflect the actual F.R.T. for this product.

When several jobs are performed at the same time, make the calculation in the following manner.

a. Jobs of non duplicated nature

The F.R.T. for the job is obtained by totalling the F.R.T. for each part replaced.

(Example) Replacement of head cover gasket and oil filter.

Service item	F.R.T.
Packing, cylinder head cover	0.5
Cartridge, oil filter	0.5

The F.R.T. for the job is: $0.5 + 0.5 = 1.0$

b. Jobs of duplicated nature

Take the F.R.T. for the last part to be replaced.

(Example) Replacement of piston and cylinder head gasket.

Service item	F.R.T.
Gasket comp., cylinder head	3.0
Piston	*5.0

The F.R.T. for the job is: 5.0

c. Jobs of partially related nature

Total up the F.R.T. for all of the parts replaced and then subtract the F.R.T. for the duplicated operation (i.e., cylinder head gasket service).

(Example) Replacement of valve and cylinder head.

Service item	F.R.T.
Valve	*3.0
Head assy., cylinder	*4.0
Gasket comp., cylinder head	*2.5

The F.R.T. for the job is: $(3.0 + 4.0) - 2.5 = 4.5$

- The F.R.T. shown with (*) includes engine removal and installation.
- The parts, having the same number of man-hour, are identified by a mark "*", and classified under the title of their representative work.

4. Adjustment, cleaning

Item	Service item	F.R.T.
Adjustment	Valve clearance	0.3
	Carburetor	0.2
	Governor	0.2
Cleaning	Carburetor	0.6
	Air cleaner element	0.2
	Arrester spark	0.2
	Spark plug	0.1

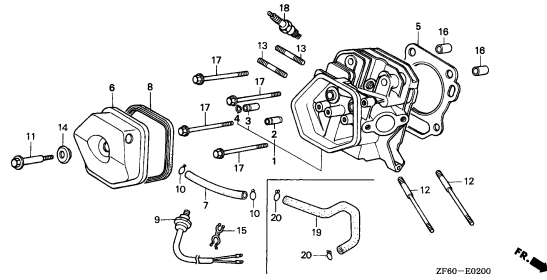
ENGINE GROUP

D 3

E-2

CYLINDER HEAD

E 1

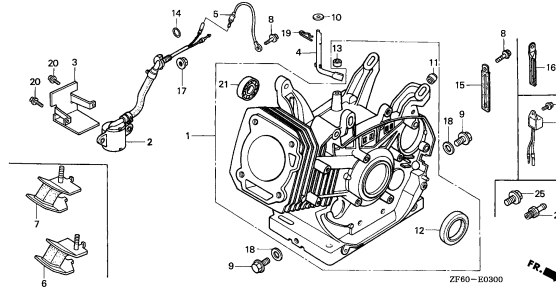


ZF60-E0200

E-3

CYLINDER BARREL

E10

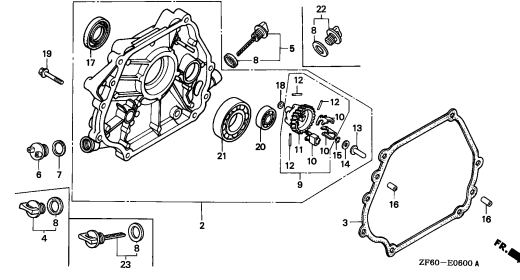


ZF60-E0300

E-6

CRANKCASE COVER(1)

F 2

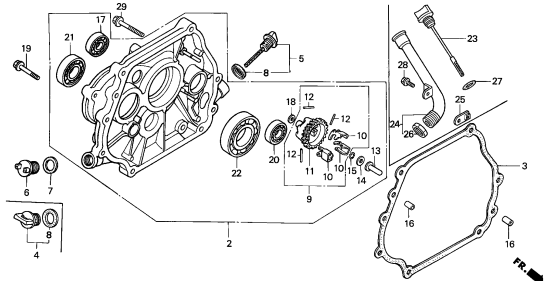


ZF60-E0600 A

E-6-1

CRANKCASE COVER(2)

F12

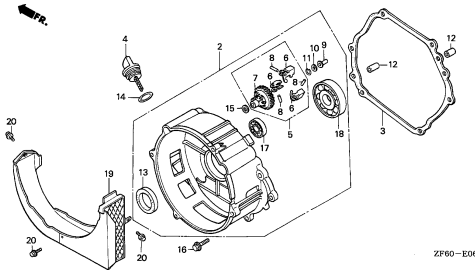


ZF60-E0601

E-6-2

CRANKCASE COVER(3)

F15

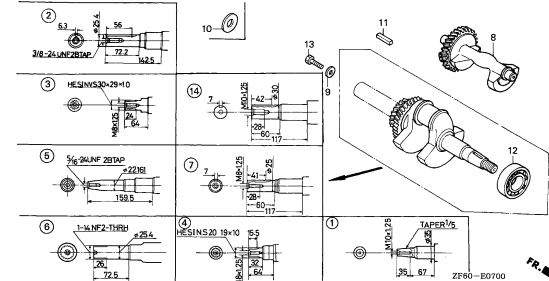


ZF60-E0602

E-7

CRANKSHAFT

G 1

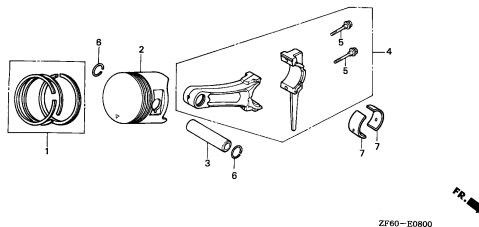


ZF60-E0700

E-8

PISTON

G 4

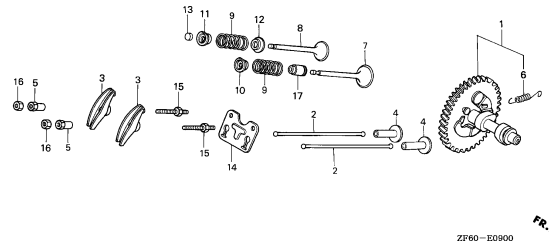


ZF60-E0800

E-9

CAMSHAFT

G 9

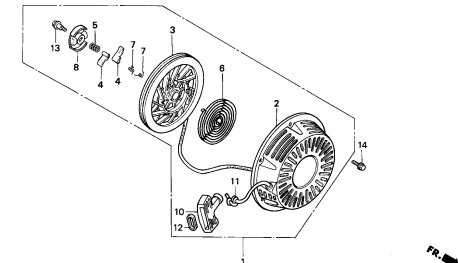


ZF60-E0900

E-11

RECOIL STARTER

G14



ZF60-E1100

2

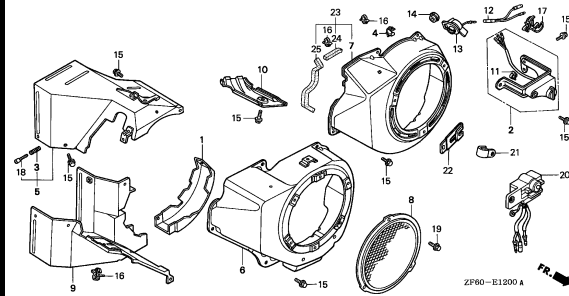
ENGINE GROUP

D 4

E-12

FAN COVER

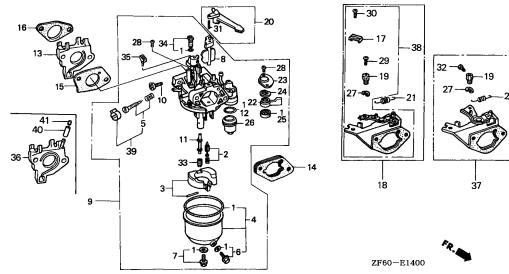
H 6



E-14

CARBURETOR(1)

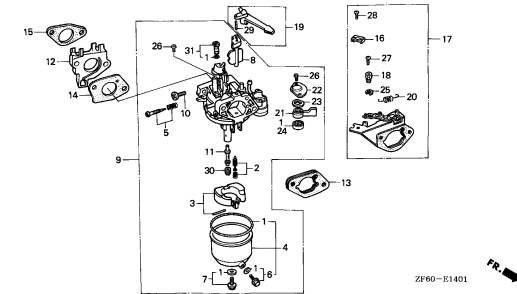
H12



E-14-1

CARBURETOR(2)

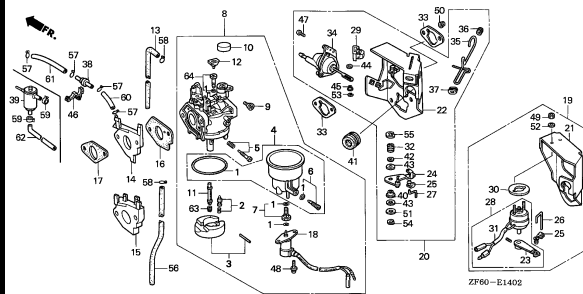
J 1



E-14-2

CARBURETOR(3)

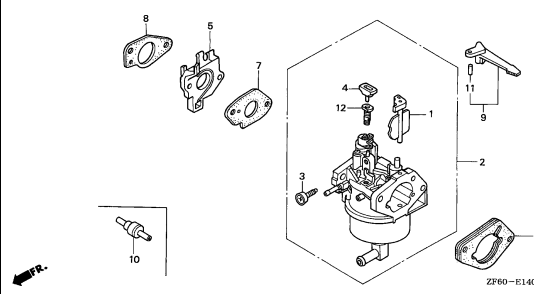
J 4



E-14-3

CARBURETOR(4)

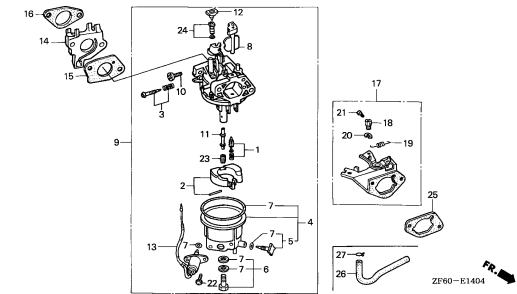
J12



E-14-4

CARBURETOR(5)

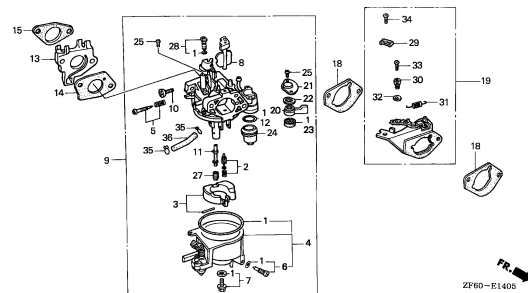
J13



E-14-5

CARBURETOR(6)

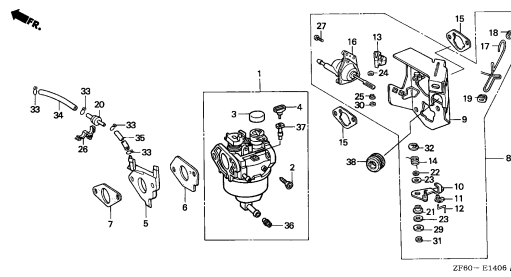
J16



E-14-6

CARBURETOR(7)

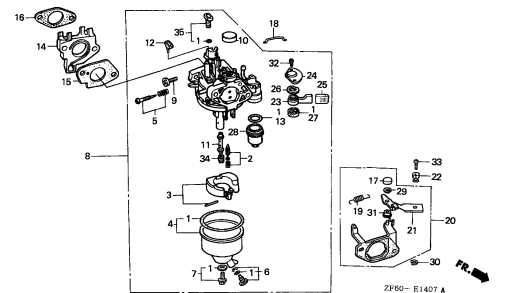
K 2



E-14-7

CARBURETOR(8)

K 4



2

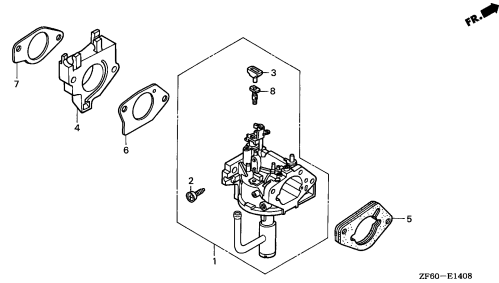
ENGINE GROUP

D 5

E-14-8

CARBURETOR(9)

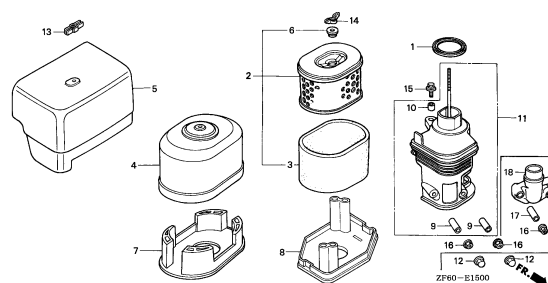
K 6



E-15

AIR CLEANER(1)

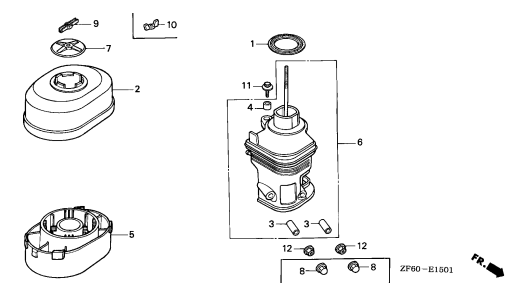
K 7



E-15-1

AIR CLEANER(2)

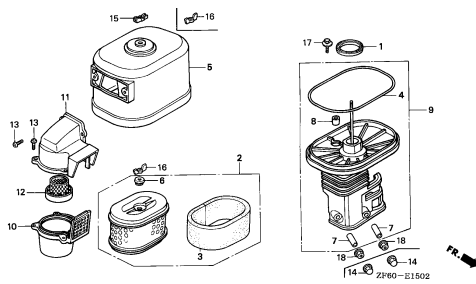
K 14



E-15-2

AIR CLEANER(3)

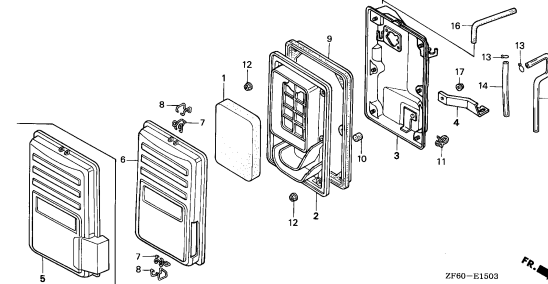
K 16



E-15-3

AIR CLEANER(4)

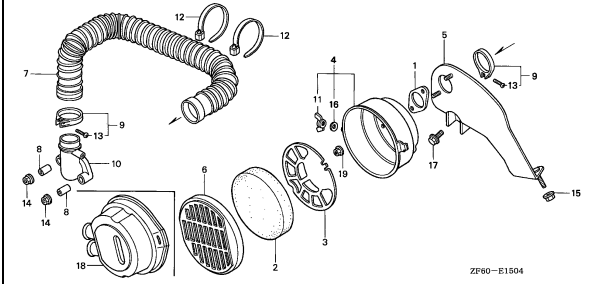
L 2



E-15-4

AIR CLEANER(5)

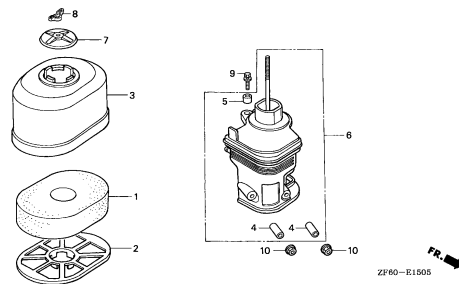
L 4



E-15-5

AIR CLEANER(6)

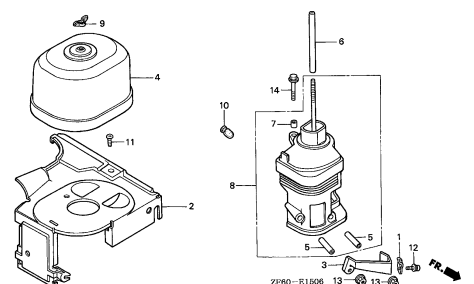
L 5



E-15-6

AIR CLEANER(7)

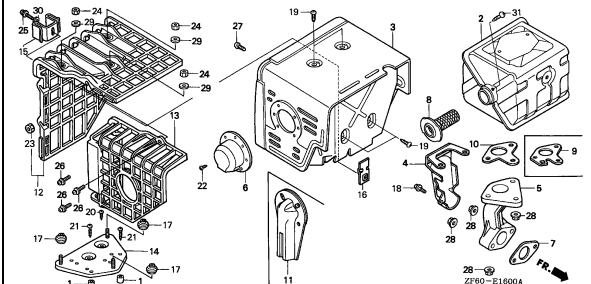
L 6



E-16

MUFFLER(1)

L 7



2

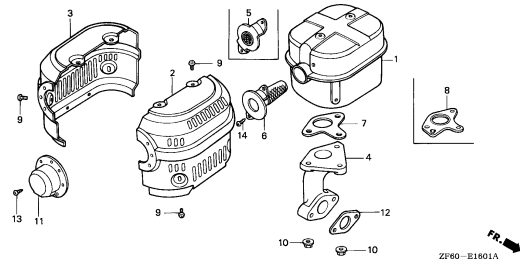
ENGINE GROUP

D 6

E-16-1

MUFFLER(2)

L16

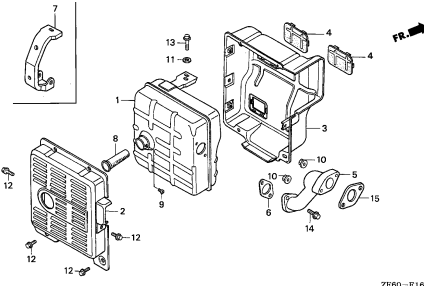


ZP60-E1601A

E-16-2

MUFFLER(3)

M 2

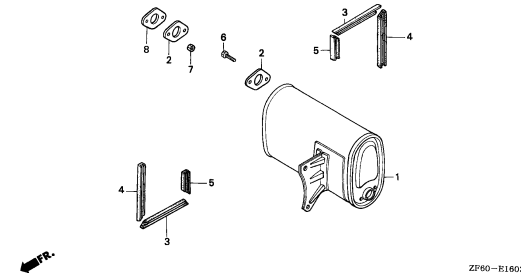


ZP60-E1602

E-16-3

MUFFLER(4)

M 4

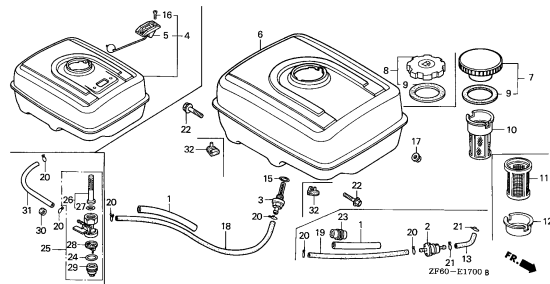


ZP60-E1603

E-17

FUEL TANK(1)

M 5

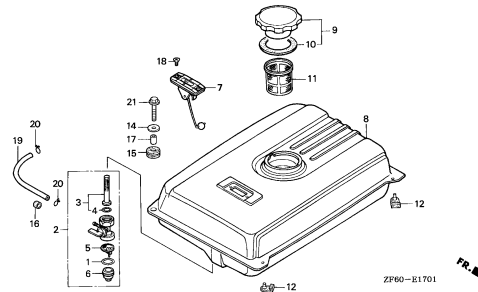


ZP60-E1700 B

E-17-1

FUEL TANK(2)

M12

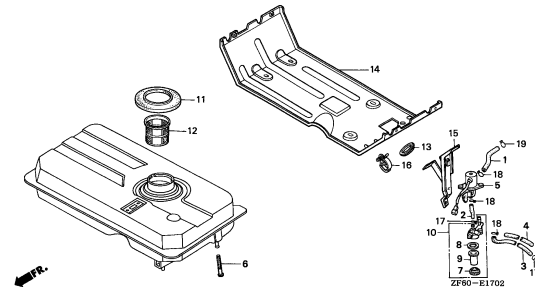


ZP60-E1701

E-17-2

FUEL TANK(3)

M14

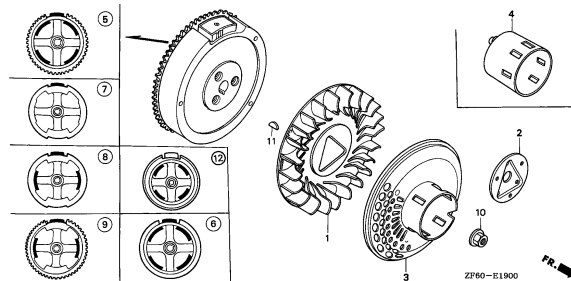


ZP60-E1702

E-19

FLYWHEEL (1)

M15

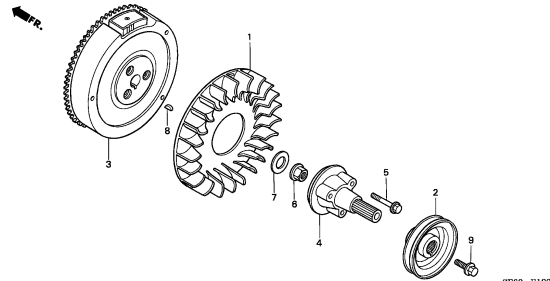


ZP60-E1900

E-19-1

FLYWHEEL (2)

N 3

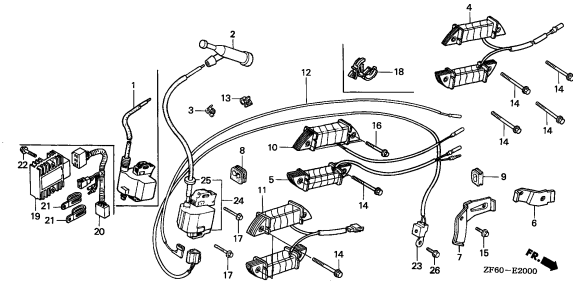


ZP60-E1901

E-20

IGNITION COIL(1)

N 4



ZP60-E2000

2

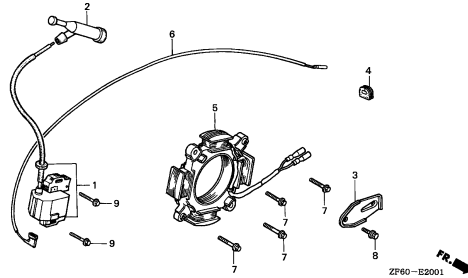
ENGINE GROUP

D 7

E-20-1

IGNITION COIL(2)

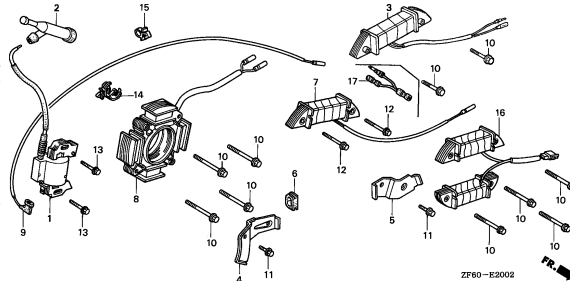
N10



E-20-2

IGNITION COIL(3)

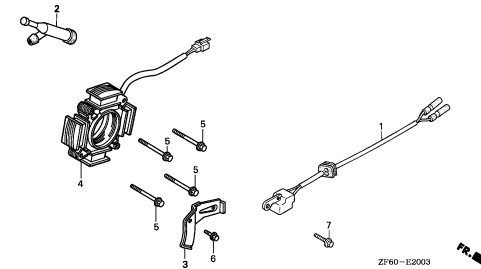
N11



E-20-3

IGNITION COIL(4)

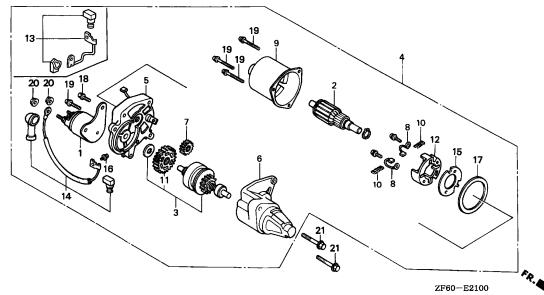
N13



E-21

STARTER MOTOR(1)

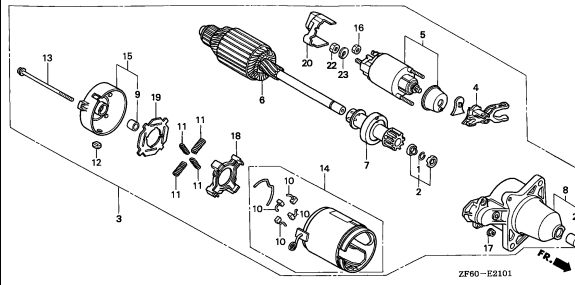
N14



E-21-1

STARTER MOTOR(2)

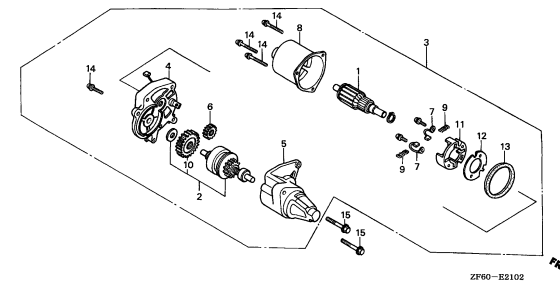
2-B 3



E-21-2

STARTER MOTOR(3)

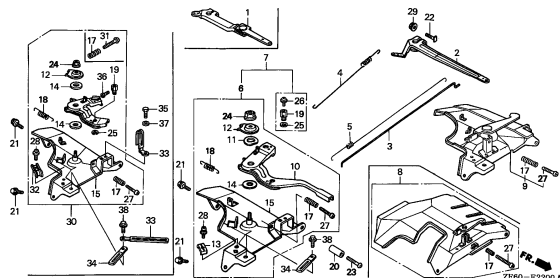
2-B 4



E-22

CONTROL(1)

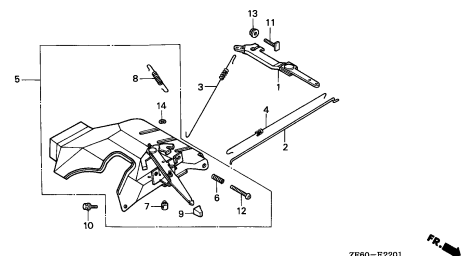
2-B 5



E-22-1

CONTROL(2)

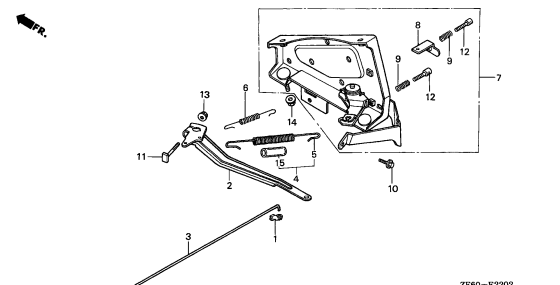
2-B16



E-22-2

CONTROL(3)

2-C 1



2

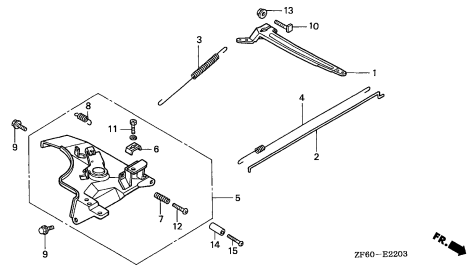
ENGINE GROUP

D 8

E-22-3

CONTROL(4)

2-C 2

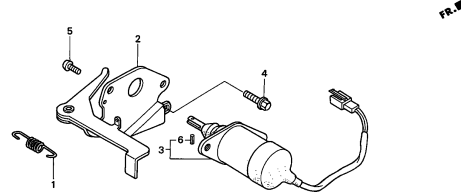


ZF60-E2203

E-22-20

AUTO THROTTLE

2-C 3

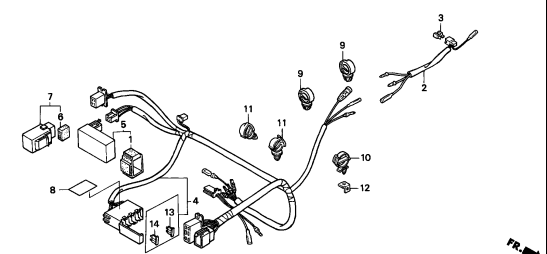


ZF60-E2220

E-22-30

WIRE HARNESS

2-C 4

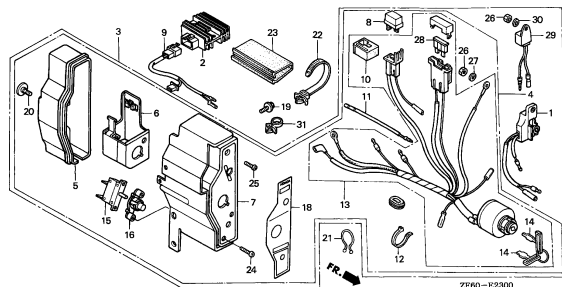


ZF60-E2230

E-23

CONTROL BOX(1)

2-C 5

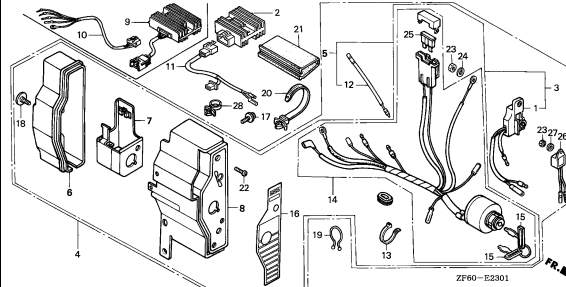


ZF60-E2300

E-23-1

CONTROL BOX(2)

2-C12

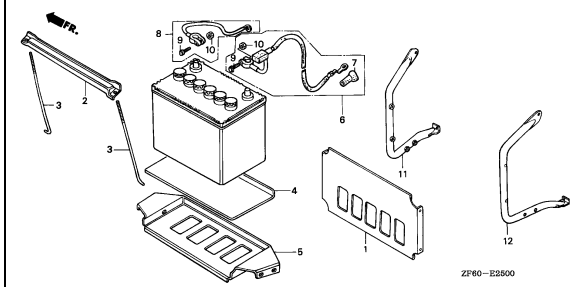


ZF60-E2301

E-25

BATTERY(1)

2-C16

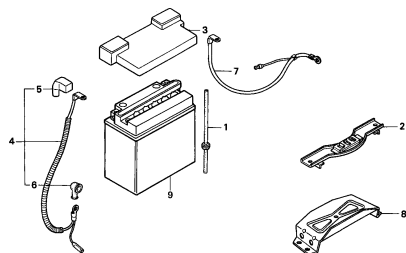


ZF60-E2500

E-25-1

BATTERY(2)

2-D 2

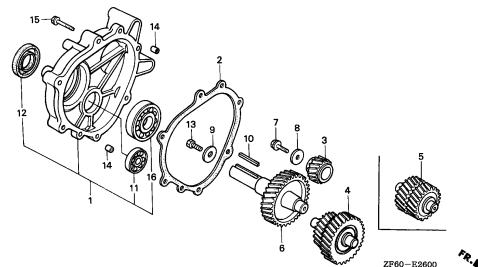


ZF60-E2501

E-26

REDUCTION(1/2)

2-D 3

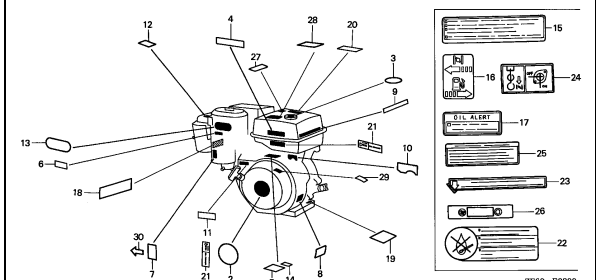


ZF60-E2600

E-28

LABEL(1)

2-D 6



ZF60-E2800

2

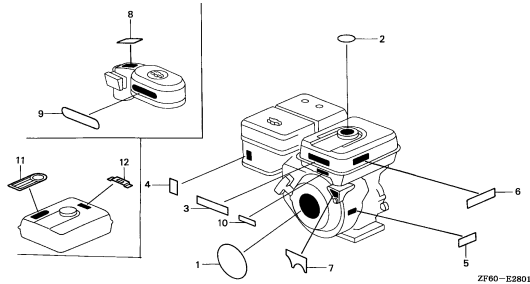
ENGINE GROUP

D 9

E-28-1

LABEL(2)

2-D12

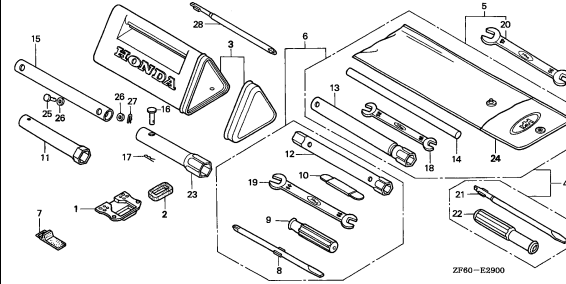


ZF60-E2801

E-29

TOOLS(1)

2-D13

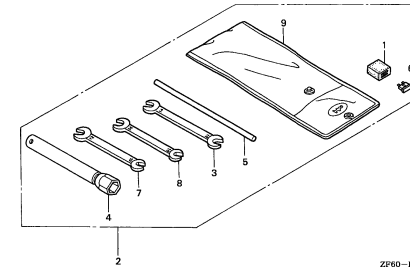


ZF60-E2900

E-29-1

TOOLS(2)

2-D15

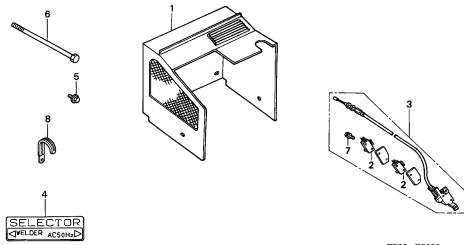


ZF60-E2901

E-30

REACTOR COVER

2-D16

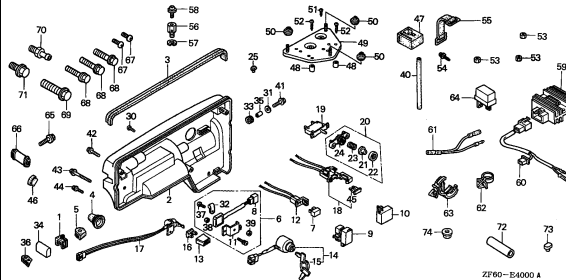


ZF60-E3000

E-40

OTHER PARTS (CONTROL CASE)

2-E 1

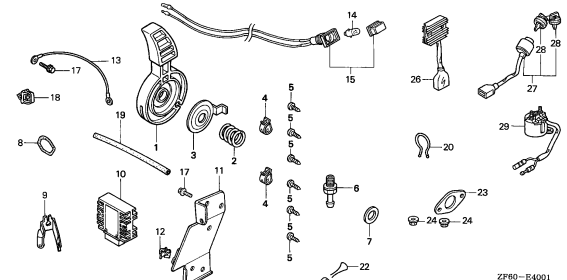


ZF60-E4000 A

E-40-1

OTHER PARTS (THROTTLE LEVER)

2-E 4

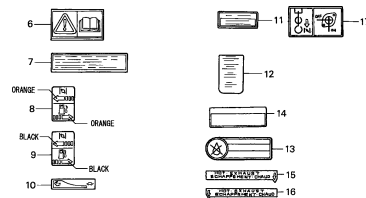


ZF60-E4001

E-40-2

OTHER PARTS (LABEL)

2-E 6

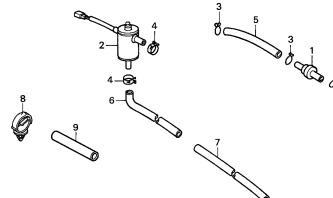


ZF60-E4002A

E-40-3

OTHER PARTS (SOLENOID VALVE)

2-E 7

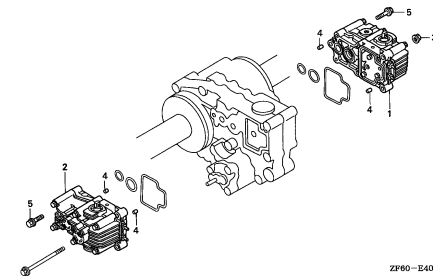


ZF60-E4003

E-40-4

OTHER PARTS (TRANSMISSION SUB ASSY.)

2-E 8



ZF60-E4004

2

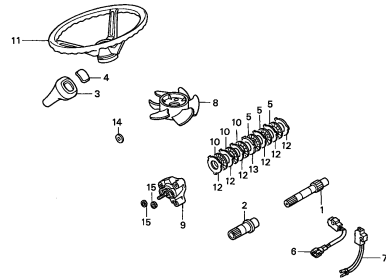
ENGINE GROUP

D10

E-40-5

2-E 9

OTHER PARTS (STEERING WHEEL)

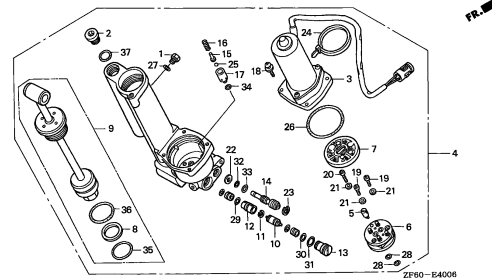


ZF60-E4005

E-40-6

2-E10

OTHER PARTS (POWER TILT)

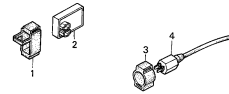


ZF60-E4006

E-40-7

2-E12

OTHER PARTS (C.D.I. UNIT)

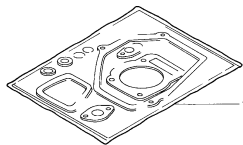


ZF60-E4007 A

EOP-1

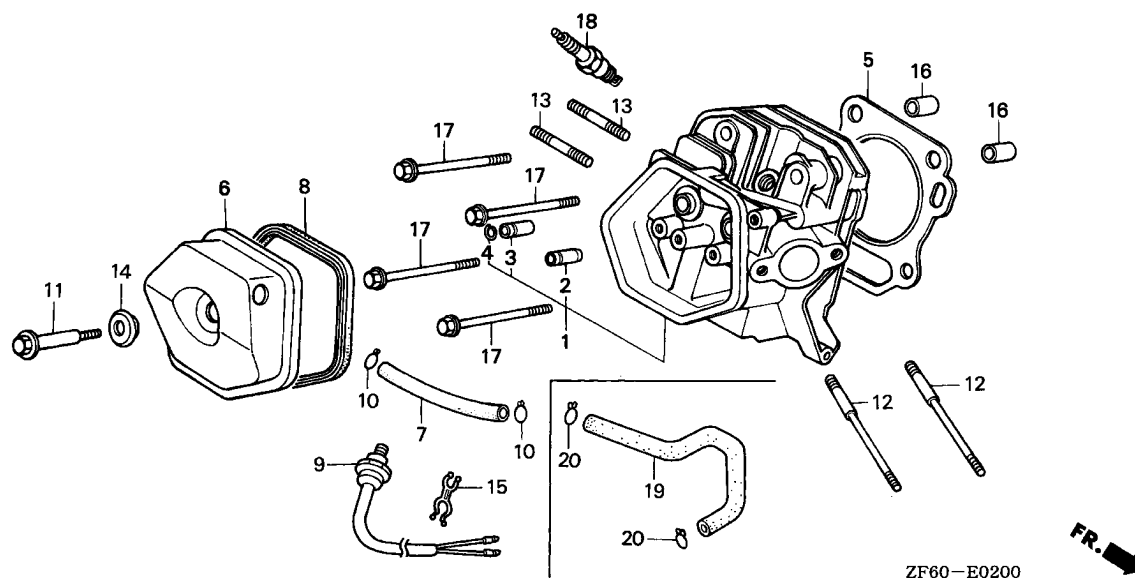
2-E13

GASKET KIT



HENG-X0003

2

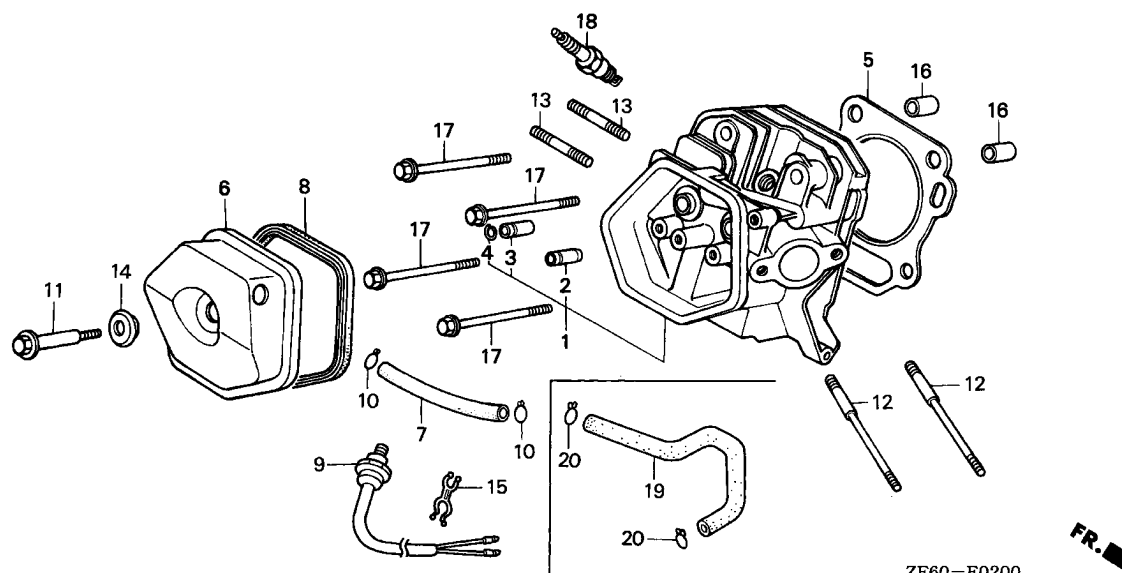


ZF60-E0200

Service item	F.R.T.
COVER COMP., HEAD	0.1
.PACKING, HEAD COVER	
.PLUG, SPARK	
.TUBE, BREATHER	
.TUBE, 11X105	
BOLT, STUD, 8X131.5	0.2
(ADD 0.1 FOR EACH.)	
.BOLT, STUD, 8X34	
(ADD 0.1 FOR EACH.)	
.SWITCH, THERMO	
GASKET, CYLINDER HEAD	0.5
GUIDE, IN. VALVE	0.8
(ADD 0.1 FOR EACH.)	
HEAD COMP., CYLINDER	0.9

Ref. No.	Part No.	Description	Reqd. QTY GX390K1 (1) (2) (3)	Serial No.	Parts catalogue code
1	12200-ZF6-W01	HEAD COMP., CYLINDER	1	-	BJ,EDD2,EDS,EDS1,EDS2,EDS3,EDS5,EDS6,EDS7,EDT1,EDT5,EDT6,ED6,ED8,ED9,EN6,ES1,ES3,ES4,ES5,EWS1,EWS3,EWS4,EWS5,HA,HAQ,HA2,HH,HJA,HJA2,HX,LH,LHB1,LHB3,LHC,LHE,LHP1,LHW,LJ,LJG,LKE,LKF1,LMH,LP,LT,LTk,LTk1,LWD,LWD1,LX,LXE,LXE2,LXE4,LXE8,LXQ4,LXU,LXZ,LX2,PAE2,PA2,PX,PXE,PXE8,PXU,QA,QAE,QAE2,QAE6,QAQ,QAW,QA2,QA26,QDW9,QE,QH,QHB3,QHC,QHE,QHP1,QH2,QKA2,QKA4,QKB2,QKE2,QK4,QME0,QME1,QMH,QMP,QND,QNE,QNE2,QNE6,QNE8,QNE9,QNK,QNR2,QNR6,QN18,QP,QT,QWA2,QWA4,QWC4,QWH2,QWT2,QX,QXB,QXB7,QXC,QXC4,QXC6,QXC9,QXE,QXEB,QXE2,QXE4,QXE6,QXE7,QXE8,QXQ4,QXQ7,QXS4,QXU,SCK4,SE,SH,SHB1,SHB3,SHE,SHEZ,SHQ4,SHW,SJ,SJG,SKA,SKAE,SMC1,SMD3,SME0,SME1,SME6,SMX,SM11,SM32,SN,SNC,SNC9,SNT2,STC4,SWA4,SWE,SWX,SX,SXB,SXB7,SXC,SXE,SXEB,SXE4,SXE7,SXE8,SXK,SXP,SXQ4,SXU,SX2,VA,VAA,VAE,VAA1,VAC2,VAG2,VA2,VCN2,VC2,VDB2,VDE1,VDE2,VD2,VE,VH,VHE,VJE2,VJ2,VKB2,VK2,VMA2,VME2,VMT,VMX,VM2,VNG1,VNG2,VN17,VN27,VPE4,VPE7,VPX4,VPX7,VPX4,VPX7,VSB1,VSB3,VSD,VSD4,VSD7,VTE1,VTE2,VTE5,VWA,VWA2,VWT4,VX,VXB,VXB7,VXE,VXEB,VXE2,VXE4,VXE6,VXE7,VXE8,VXFB,VXQ4,VXTB,VXT1,VXU,VXU1,VX8,YJ,ZK1
	12200-ZF6-W11	-	1	
	12200-ZF6-F01	1	-	SXK1
2	12204-ZE2-315	GUIDE, IN. VALVE (O.S.)	(1)	-	SHEZ
			(1)	-	2037229
			-	(1)	2037229



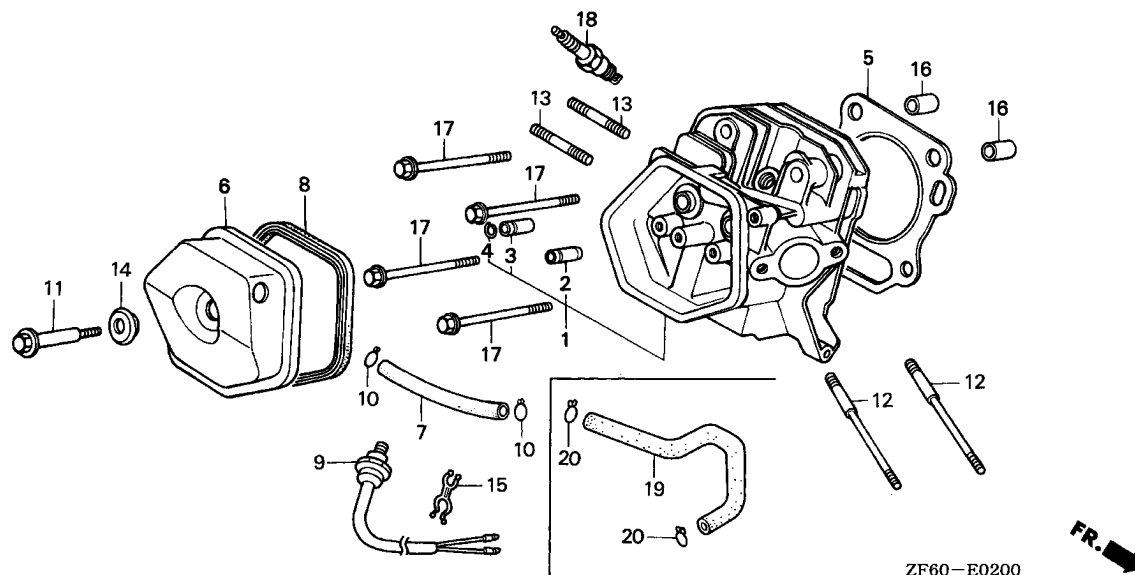


ZF60-E0200

Ref. No.	Part No.	Description	Reqd. QTY GX390K1 (1) (2) (3)	Serial No.	Parts catalogue code
(2)	12204-ZE2-306	GUIDE, IN. VALVE (O.S.)	(1)	-	EDD2,EDS,EDS1,EDS2,EDS3,EDS5,EDS6,EDS7,EDT1,EDT5,EDT6,ED6,ED8,ED9,EN6,ES1,ES3,ES4,ES5,EWS1,EWS3,EWS4,EWS5,HAQ,HA2,HJA,HJA2,LHB1,LHB3,LHP1,LHW,LJG,LKE,LKF1,LMH,LP,LT,LTk,LTk1,LWD1,LXE2,LXE4,LXE8,LXQ4,LXU,LX2,PAE2,PA2,PXE,PXE8,PXU,QAE2,QAE6,QAQ,QAW,QA2,QA26,QDW9,QHB3,QHP1,QH2,QKA2,QKA4,QKB2,QKE2,QK4,QMEO,QME1,QMH,QMP,QND,QNE2,QNE6,QNE8,QNE9,QNK,QNR2,QNR6,QN18,QWA2,QWA4,QWC4,QWH2,QWT2,QXB7,QXC4,QXC6,QXC9,QXE2,QXE4,QXE6,QXE7,QXE8,QXQ4,QXQ7,QXS4,QXU,SCK4,SHB1,SHB3,SHQ4,SHW,SJG,SKA,SKAE,SMC1,SMD3,SME0,SME1,SME6,SMX,SM11,SM32,SN,SNC,SNC9,SNT2,STC4,SWA4,SXB7,SXC,SXE4,SXE7,SXE8,SXK,SXK1,SXQ4,SXU,SX2,VAA1,VAC2,VAG2,VA2,VCN2,VC2,VDB2,VDE1,VDE2,VD2,VJE2,VJ2,VKB2,VK2,VMA2,VME2,VMT,VMX,VM2,VNG2,VN17,VN27,VPE4,VPE7,VPX4,VPX7,VSB1,VSB3,VSD4,VSD7,VTE1,VTE2,VTE5,VVA,VVA2,VWT4,VXB7,VXE2,VXE4,VXE6,VXE7,VXE8,VXFB,VXQ4,VXTB,VXT1,VXU,VXU1,VX8,ZK1,BJ,HA,HH,HX,LH,LHC,LHE,LJ,LWD,LX,LXE,LXZ,PX,QA,QAE,QE,QH,QHE,QNE,QP,QT,QX,QXB,QXC,QXE,QXEB,SE,SH,SHE,SJ,SWE,SWX,SX,SXB,SXE,SXEB,SXP,VA,VAA,VA AE,VE,VH,VHE,VNG1,VSD,VX,VXB,VXE,VXEB,YJ
			(1)	2037230	
			-	2037230	
			-	(1)	
3	12205-ZE2-305	GUIDE, EX. VALVE (O.S.)	(1) (1) (1)		
4	12216-ZE2-300	CLIP, VALVE GUIDE	1 1 1		
5	12251-ZF6-W00	GASKET, CYLINDER HEAD	1 1 1		
6	12310-ZE2-010	COVER COMP., HEAD	1		SHEZ
			1	2057295	BJ,EDS,ES1,ES3,HA,HH,HX,LH,LHE,LJ,LX,LXE,LXZ,PX,QA,QAE,QE,QH,QHE,QNE,QP,QT,QX,QXB,QXE,QXEB,SE,SH,SHE,SJ,SWE,SWX,SX,SXB,SXE,SXEB,SXP,VA,VAA,VA AE,VE,VH,VHE,VNG1,VNG2,VSD,VX,VXB,VXE,VXEB,YJ
			-	2057295	

Ref. No.	Part No.	Description	Reqd. QTY			Serial No.	Parts catalogue code	
			GX390K1	(1)	(2)			(3)
(6)	12310-ZE2-020	COVER COMP., HEAD	1	-	-	-----	EDD2,EDS1,EDS2,EDS3,EDS6,EDS7,EDT1,EDT5,EDT6,ED6,ED8,ED9,EN6,ES4,ES5,EWS1,EWS3,EWS4,EWS5,HJA,LHB1,LHB3,LHP1,LHW,LJG,LKE,LKF1,LMH,LP,LT,LTK,LTK1,LWD1,LXE4,LXE8,LXQ4,LXU,LX2,PAE2,PA2,PXE,PXE8,PXU,QAE6,QAW,QA26,QHB3,QHP1,QKA2,QKA4,QKB2,QKE2,QK4,QME0,QMH,QMP,QND,QNE6,QNE8,QNK,QNR2,QNR6,QN18,QWA2,QXE4,QXE6,QXE8,QXQ4,QXU,SCK4,SHB1,SHB3,SHQ4,SJG,SKA,SKAE,SMC1,SMD3,SME0,SME1,SME6,SMX,SM11,SM32,SN,SNT2,STC4,SWA4,SXC,SXE4,SXE8,SXK,SXK1,SXQ4,SXU,SX2,VAA1,VAC2,VCN2,VC2,VDB2,VDE1,VDE2,VD2,VJE2,VJ2,VKB2,VK2,VMA2,VME2,VMT,VMX,VM2,VN17,VN27,VPE4,VPE7,VPX4,VPX7,VSB1,VSB3,VSD4,VTE1,VTE2,VTE5,VVA,VVT4,VXE4,VXE6,VXE8,VXFB,VXQ4,VXTB,VXT1,VXU,VXU1,VX8	
			1	-	-	2057296	-----	BJ,EDS,ES1,ES3,HA,HH,HX,LH,LHE,LJ,LX,LXE,LXZ,PX,QA,QAE,QE,QH,QHE,QNE,QP,QT,QX,QXB,QXE,QXEB,SE,SH,SHE,SJ,SWE,SWX,SX,SXB,SXE,SXEB,SXP,VA,VAA,VAAE,VE,VH,VHE,VNG1,VNG2,VSD,VX,VXB,VXE,VXEB,YJ
			1	-	-	2299750	-----	SHW
			-	(1)	-	2057296	-----	
			-	-	1			
	12310-ZE3-790	COVER COMP., HEAD (BRETHER TUBE JOINT)	1	-	-	2056148	-----	LHC,LWD,QHC,QXC
			-	(1)	-	2056148	-----	
	12310-ZE3-791	1	-	-	-----	-----	EDS5,QME1,QWA4,QWC4,QWH2,QWT2,QXC4,QXC6,SNC,SNC9,ZK1
			1	-	-	2056149	-----	LHC,LWD,QHC,QXC
			1	-	-	2299751	-----	SHW
			-	(1)	-	2056149	-----	
			1	-	-	-----	-----	HAQ,QAQ,QDW9,QNE9,QXC9,QXS4,VAG2
			1	-	-	2378736	-----	HA2,LXE2,QAE2,QA2,QH2,QNE2,QXE2,VA2,VXE2
	12310-ZE2-020	COVER COMP., HEAD	1	-	-	-----	-----	ED6,HJA2,QXB7,QXE7,QXQ7,SXB7,SXE7,VSD7,VWA2,VXB7,VXE7
			1	-	-	2378737	-----	HA2,LXE2,QAE2,QA2,QH2,QNE2,QXE2,VA2,VXE2
7	12315-ZE3-840	TUBE, BREATHER	1	-	-	-----	-----	LHC,LWD,QHC,QME1,QWA4,QWC4,QWH2,QWT2,QXC,QXC4,QXC6,QXS4,SNC,SNC9
			-	(1)	-			
	95005-11105-30	TUBE, 11X105(95005-11001-30M)	1	-	1	-----	-----	BJ,ED8,ED9,ES1,HA,HH,HJA,HJA2,HX,LH,LHB1,LHB3,LHE,LHP1,LHW,LJ,LJG,LKE,LMH,LT,LTK,LTK1,LX,LXE,LXE4,LXE8,LXQ4,LXU,LXZ,LX2,PAE2,PA2,PXE,PXE8,PXU,QA,QAE,QAE6,QAP,QAW,QA26,QE,QH,QHB3,QHE,QHP1,QKA2,QKA4,QKB2,QKE2,QK4,QME0,QMH,QMP,QND,QNE,QNE6,QNE8,QNK,QNR2,QNR6,QN18,QP,QT,QWA2,QX,QXB,QXB7,QXE,QXEB,QXE4,QXE6,QXE7,QXE8,QXQ4,QXQ7,QXU,SCK4,SE,SH,SHB1,SHB3,SHE,SHEZ,SHQ4,SJ,SJG,SKA,SKAE,SMC1,SMD3,SME0,SME1,SME6,SMX,SM11,SM32,SN,SNT2,STC4,SWA4,SWE,SWX,SX,SXB,SXB7,SXC,SXE,SXEB,SXE4,SXE7,SXE8,SXK,SXK1,SXP,SWQ4,SXU,SX2,VAAE,VAC2,VAP,VCN2,VDB2,VDE1,VDE2,VD2,VE,VH,VHE,VJE2,VJ2,VKB2,VK2,VMA2,VME2,VMX,VM2,VNG1,VNG2,VN17,VN27,VSD,VSD7,VTE1,VTE5,VVA,VVA2,VWT4,VX,VXB,VXB7,VXE,VXEB,VXE4,VXE6,VXE7,VXE8,VXFB,VXP,VXQP,VXQ4,VXTB,VXT1,VXU,VXU1,VX8,YJ
			1	-	-	2143011	-----	VAA
			1	-	-	2299750	-----	SHW
			1	-	-	2368041	-----	HA2,LXE2,QAE2,QA2,QH2,QNE2,QXE2,VA2,VXE2
			-	(1)	-			
	12315-ZE3-840	TUBE, BREATHER	1	-	-	-----	-----	HAQ,QAQ,QDW9,QNE9,QXC9,QXS4,VAG2
			1	-	-	2368042	-----	HA2,LXE2,QAE2,QA2,QH2,QNE2,QXE2,VA2,VXE2
	15721-ZB4-000	1	-	-	-----	-----	EDD2,EDS,EDS1,EDS3,EDS6,EDS7,EDT1,EDT5,EDT6,ED6,EN6,ES3,ES4,ES5,EWS1,EWS3,EWS4,EWS5,VAA1,VC2,VMT,VPE4,VPE7,VPX4,VPX7,VSB1,VSB3,VSD4,VTE2
			1	-	-	2143012	-----	VAA
	15721-ZB7-000	1	-	-	-----	-----	EDS5
	15721-ZE3-H00	1	-	-	-----	-----	LP
8	12391-ZE2-020	PACKING, HEAD COVER	1	(1)	1			
9	16500-ZE2-702	SWITCH, THERMO	1	-	-	-----	-----	EDS3,EDS5,ES5
10	17316-611-000	CLIP, BREATHER TUBE	2	-	-	-----	-----	HAQ,LHC,LWD,QAQ,QDW9,QHC,QME1,QNE9,QWA4,QWC4,QWH2,QWT2,QXC,QXC4,QXC6,QXC9,QXS4,SNC,SNC9
			-	(2)	-			



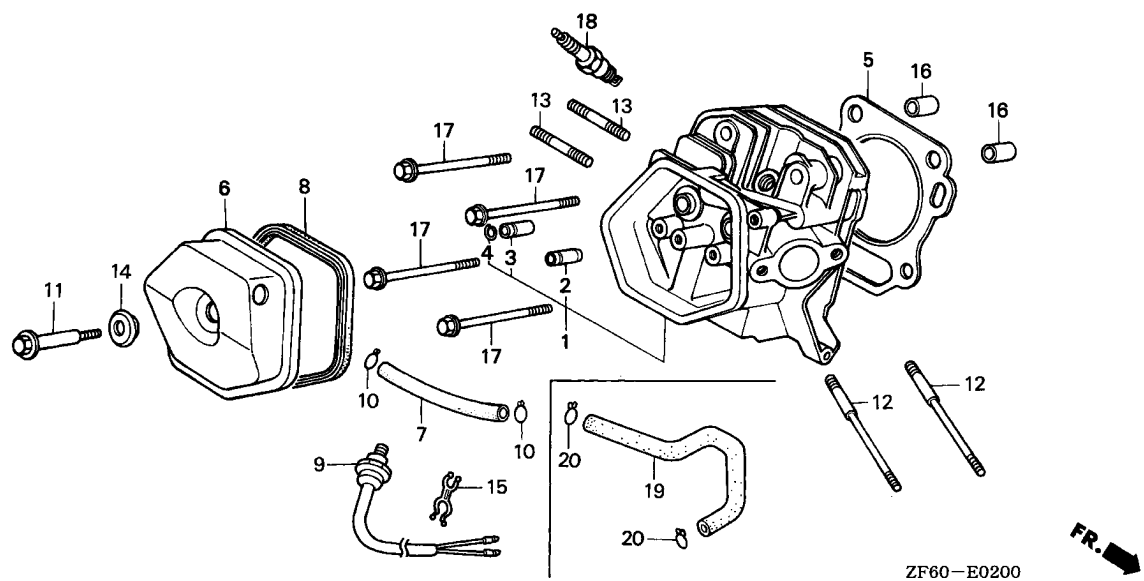


ZF60-E0200

Ref. No.	Part No.	Description	Reqd. QTY			Serial No.	Parts catalogue code
			GX390K1				
			(1)	(2)	(3)		
11	90014-ZE2-000	BOLT, HEAD COVER	1	1	1		
12	90042-ZB7-000	BOLT, STUD, 8X111	2	-	-	-----	EDS5
	90042-ZE8-000	BOLT, STUD, 8X131.5	2	-	2	-----	BJ, ED8, ED9, ES1, HA, HAQ, HA2, HH, HJA, HJA2, HX, LH, LHB1, LHB3, LHC, LHE, LHP1, LHW, LJ, LJG, LKE, LKF1, LMH, LT, LTK, LTK1, LWD, LWD1, LX, LXE, LXE2, LXE4, LXE8, LXQ4, LXU, LXZ, LX2, PAE2, PA2, PX, PXE, PXE8, PXU, QA, QAE, QAE2, QAE6, QAP, QAQ, QAW, QA2, QA26, QDW9, QE, QH, QHB3, QHC, QHE, QHP1, QH2, QKA2, QKA4, QKB2, QKE2, QK4, QME0, QME1, QMH, QMP, QND, QNE, QNE2, QNE6, QNE8, QNE9, QNK, QNR2, QNR6, QN18, QP, QT, QWA2, QWA4, QWC4, QWH2, QWT2, QX, QXB, QXB7, QXC, QXC4, QXC6, QXC9, QXE, QXEB, QXE2, QXE4, QXE6, QXE7, QXE8, QXQ4, QXQ7, QXS4, QXU, SCK4, SE, SH, SHB1, SHB3, SHE, SHEZ, SHQ4, SHW, SJ, SJG, SKA, SKAE, SMC1, SMD3, SME0, SME1, SME6, SMX, SM11, SM32, SN, SNC, SNC9, SNT2, STC4, SWA4, SWE, SWX, SX, SXB, SXB7, SXC, SXE, SXEB, SXE4, SXE7, SXE8, SXX, SXX1, SXP, SXQ4, SXU, SX2, VA, VAAE, VAC2, VAG2, VAP, VA2, VCN2, VDB2, VDE1, VDE2, VD2, VE, VH, VHE, VJE2, VJ2, VKB2, VK2, VMA2, VME2, VMX, VM2, VNG1, VNG2, VN17, VN27, VSD, VSD7, VTE1, VTE5, VVA, VVA2, VWT4, VX, VXB, VXB7, VXE, VXEB, VXE2, VXE4, VXE6, VXE7, VXE8, VXF8, VXP, VXQP, VXQ4, VXTB, VXT1, VXU, VXU1, VX8, YJ
			2	-	-	-----	2143011 VAA
			2	-	-	-----	2240894 ZK1
			-	2	-		
	90042-ZE2-000	BOLT, STUD, 8X123	2	-	-	2240895	ZK1
	90042-ZE3-700	BOLT, STUD, 8X106	2	-	2	-----	EDD2, EDS, EDS1, EDS2, EDS3, EDS6, EDS7, EDT1, EDT5, EDT6, ED6, EN6, ES3, ES4, ES5, EWS1, EWS3, EWS4, EWS5, LP, SXXP, VAA1, VC2, VMT, VPE4, VPE7, VPX4, VPX7, VSB1, VSB3, VSD4, VTE2
			2	-	-	2143012	VAA
13	90012-KM9-000	BOLT, STUD, 8X34	2	-	-	-----	EDS5, LP

Ref. No.	Part No.	Description	Reqd. QTY			Serial No.	Parts catalogue code
			GX390K1	(1)	(2)		
13)	90047-ZE2-000	BOLT, STUD, 8X47	2	-	-	-----	BJ, HA, HAQ, HJA, HX, LHB1, LHC, LXZ, QA, QAE, QAA, QHC, QH2, QKA2, QKE2, SE SHEZ, SKA, SNC9, SNT2, SXP, SX2, VA, VAAE, VDE1, VE, VH, VHE, VTE2, VWA, YJ EDD2, EDS, EDS1, EDS2, EDS3, EDS7, EDT1, EDT5, ED6, ED8, ED9, ES1, ES3, ES4 EWS1, EWS3, EWS4, EWS5, HA2, HH, HJA2, LH, LHB3, LHE, LHP1, LHW, LJ, LJG, LKE LKF1, LMH, LTK, LTK1, LWD, LX, LXE, LXE2, LXE4, LXE8, LXQ4, LXU, LX2, PAE2, PA2 PX, PXE, PXE8, PXU, QAE2, QAE6, QA2, QA26, QDW9, QE, QH, QHB3, QHE, QHP1, QKA4 QME0, QME1, QMH, QNE, QNE2, QNE6, QNE8, QNE9, QNR2, QNR6, QN18, QP, QT, QWA2 QX, QXB, QXC, QXC4, QXC6, QXC9, QXE, QXEB, QXE2, QXE4, QXE6, QXE8, QXQ4, QXU SCK4, SH, SHB1, SHB3, SHE, SHQ4, SHW, SJ, SJG, SMC1, SMD3, SME0, SME6, SMX SM11, SN, SNC, STC4, SWA4, SWE, SWX, SX, SXB, SXE, SXEB, SXE4, SXE8, SXQ4, SXU VAA, VAA1, VAG2, VA2, VDE2, VKB2, VMA2, VME2, VMX, VM2, VNG1, VNG2, VPE4, VPX4 VSB1, VSB3, VSD, VSD4, VTE1, VTE5, VWA2, VWT4, VX, VXB, VXE, VXEB, VXE2, VXE4 VXE6, VXE8, VXF8, VXQ4, VXTB, VXT1, VXU, VXU1, VX8
			-	2	-	-----	2638033
			-	-	2	-----	1000214
	92900-08032-0E	BOLT, STUD, 8X32	2	-	2	-----	QAP, VXP, VXQP EDS6, EDT6, EN6, ES5, LT, LWD1, QAW, QKB2, QK4, QMP, QND, QNK, QWA4, QWC4, QWH2 QWT2, QXB7, QXE7, QXQ7, QXS4, SKAE, SME1, SM32, SXB7, SXC, SXE7, VAC2, VAP VCN2, VC2, VDB2, VD2, VJE2, VJ2, VK2, VMT, VN17, VN27, VPE7, VPX7, VSD7, VXB7 VXE7
			2	-	-	-----	2638034
			-	2	-	-----	2638034
			-	-	2	-----	1000215
	90047-ZE3-791	BOLT, STUD, 8X40	2	-	2	-----	QAP, VXP, VXQP
	92900-08022-0B	BOLT, STUD, 8X22	2	-	-	-----	SXK, SXKP, SXK1
	14 90441-ZE2-010	WASHER COMP., HEAD COVER	1	1	1	-----	ZK1
	15 90658-SAO-003	CLIP, WIRE HARNESS	1	-	-	-----	EDS3, ES5
	16 94301-12200	DOWEL PIN, 12X20	2	2	2	-----	
	17 95725-10080-00	BOLT, FLANGE, 10X80	4	4	4	-----	
	18 98079-54841	PLUG, SPARK (BP4ES) (NGK)	1	-	-	-----	SHW
	98079-54846	PLUG, SPARK (BPR4ES) (NGK) ...	1	-	-	-----	SKA
			-	(1)	-	-----	
	98079-55841	PLUG, SPARK (BP5ES) (NGK)	1	-	-	-----	LWD1
			(1)	(1)	-	-----	BJ, LKF1, LWD, Q1, SHW, V1, YJ
			(1)	-	-	-----	2658574 LJ, LJG, LTK, SJ, SJG
			(1)	-	-	-----	2746759 SME1, SM11
	98079-55854	PLUG, SPARK (W16EP-U) (DENSO)	1	-	-	-----	LWD1
			(1)	(1)	-	-----	BJ, LTK1, LWD, Q1, SHW, V1, YJ
			(1)	-	-	-----	2658574 LJ, LJG, LTK, SJ, SJG
			(1)	-	-	-----	2746759 SME1, SM11



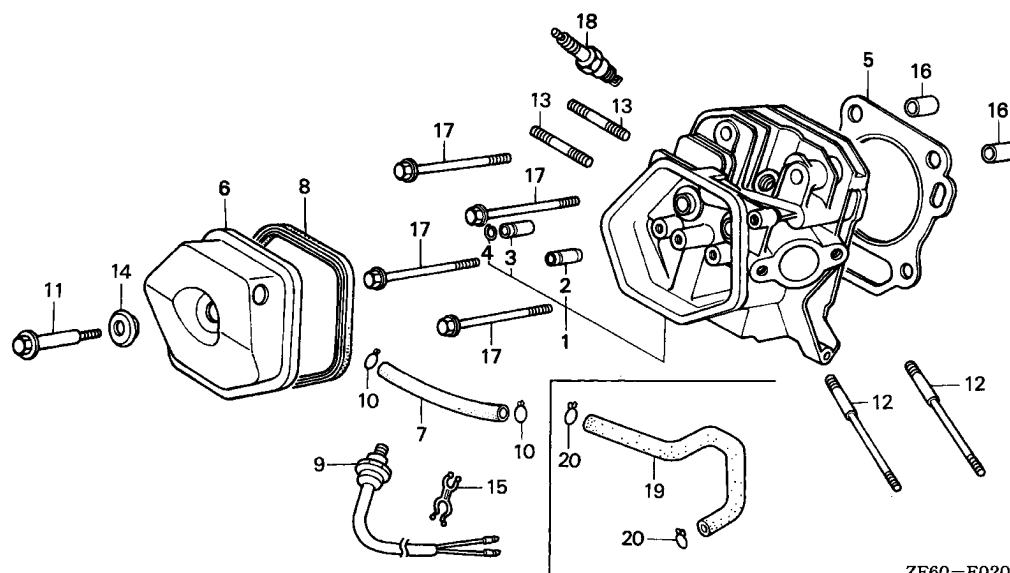


2

Ref. No.	Part No.	Description	Reqd. QTY			Serial No.	Parts catalogue code
			GX390K1	(1)	(2)		
18)	98079-56846	PLUG, SPARK (BPR6ES) (NGK) ...	1	-	1	-----	ES1, HH, HX, LH, LHC, LHE, LHP1, LHW, LKE, LMH, LX, LXE, LXE4, LXE8, LXQ4, LXU, LXZ, PX, PXE, PXE8, PXU, QA, QAE, QAE6, QA26, QE, QH, QHC, QHE, QHP1, QKA2, QKA4, QKE2, QK4, QMED, QME1, QMH, QMP, QNE, QNE6, QNE8, QNR6, QP, QWA4, QWC4, QX, QXB, QXC, QXC4, QXC6, QXE, QXEB, QXE4, QXE6, QXE8, QXQ4, QXU, SCK4, SE, SH, SHB3, SHE, SHEZ, SHQ4, SKAE, SMC1, SMD3, SME0, SME6, SMX, SNC, SNC9, SNT2, STC4, SWA4, SWE, SWX, SX, SXB, SXC, SXE, SXEB, SXE4, SXE8, SXP, SXQ4, SXU, VA, VAAE, VAP, VC2, VE, VH, VHE, VMX, VNG1, VNG2, VN17, VN27, VPE4, VPE7, VPX4, VPX7, VSD, VSD4, VTE1, VTE5, VWT4, VX, VXB, VXE, VXEB, VXE4, VXE6, VXE8, VXF8, VXP, VXQP, VXQ4, VXTB, VXT1, VXU, VXU1, VX8
			1	-	-	2658575	ED8, QHB3
			1	-	-	2143011	VAA
			1	-	-	2223209	LHB1, LHB3, SHB1
			-	(1)	-	-----	
	98079-56854	PLUG, SPARK (W20EP-U) (DENSO)	1	(1)	-	-----	BJ, LKF1, LTK1, LWD, Q1, V1, YJ
			1	-	-	2658574	LJ, LJG, LTK, SJ, SJG
			1	-	-	2746759	SME1, SM11

Ref. No.	Part No.	Description	Reqd. QTY			Serial No.	Parts catalogue code
			GX390K1	(1)	(2)		
18)	98079-56855	PLUG, SPARK (W20EPR-U) (DENSO)	1	-	1	-----	ES1, HA, HAQ, HA2, HH, HJA, HJA2, HX, LH, LHB3, LHC, LHE, LHP1, LHW, LKE, LMH, LX, LXE, LXE2, LXE4, LXE8, LXQ4, LXU, LXZ, LX2, PAE2, PA2, PX, PXE, PXE8, PXU, QA, QAE, QAE2, QAE6, QAP, QAQ, QAW, QA2, QA26, QDW9, QE, QH, QHC, QHE, QHP1, QH2, QKA2, QKA4, QKB2, QKE2, QK4, QMH, QMP, QND, QNE, QNE2, QNE6, QNE8, QNE9, QNK, QNR2, QNR6, QN18, QP, QWA2, QWA4, QWC4, QWH2, QWT2, QX, QXB, QXB7, QXC, QXC4, QXC6, QXC9, QXE, QXEB, QXE2, QXE4, QXE6, QXE7, QXE8, QXQ4, QXQ7, QXS4, QXU, SCK4, SE, SH, SHB3, SHE, SHEZ, SHQ4, SKAE, SMX, SM32, SNC, SNC9, SNT2, STC4, SWA4, SWE, SWX, SX, SXB, SXB7, SXC, SXE, SXEB, SXE4, SXE7, SXE8, SXP, SXQ4, SXU, SX2, VA, VAAE, VAC2, VAG2, VAP, VA2, VCN2, VC2, VDB2, VDE1, VDE2, VD2, VE, VH, VHE, VJE2, VJ2, VKB2, VK2, VMA2, VME2, VMX, VM2, VNG1, VNG2, VN17, VN27, VPE4, VPE7, VPX4, VPX7, VSD, VSD4, VSD7, VTE1, VTE5, VWA, VWA2, VWT4, VX, VXB, VXB7, VXE, VXE8, VXE2, VXE4, VXE6, VXE7, VXE8, VXF8, VXP, VXQP, VXQ4, VXTB, VXT1, VXU, VXU1, VX8, ZK1
			1	-	-	2658575	----- ED8, LJ, LJG, LTK, QHB3, SJ, SJG
			1	-	-	2746760	----- SME1, SM11
			1	-	-	2143011	----- VAA
			1	-	-	2223209	----- LHB1, SHB1
			(1)	-	-	2658575	----- QME0, SMC1, SME0, SME6
			-	(1)	-		
	98079-52876	PLUG, SPARK (BPR2ES) (NGK) ...	1	-	-	-----	SXK
	98079-55846	PLUG, SPARK (BPR5ES) (NGK) ...	1	-	(1)	-----	EDD2, EDS, EDS1, EDS2, EDS3, EDS5, EDT1, ED9, QAP, SKA, VAA1, VAP, VMT, VTE2, VXP, VXQP
			1	-	-	2143012	----- VAA
			1	-	-	3105388	----- ES5
			1	-	-	2283686	----- ES3, ES4, EWS1, EWS3, EWS4, EWS5
			(1)	-	-	-----	EDS6, EDS7, EDT5, EDT6, ED6, ED8, EN6, ES1, HA, HAQ, HA2, HH, HJA, HJA2, HX, LH, LHB1, LHB3, LHC, LHE, LHP1, LHW, LKE, LKF1, LMH, LX, LXE, LXE2, LXE4, LXE8, LXQ4, LXU, LXZ, LX2, PAE2, PA2, PX, PXE, PXE8, PXU, QA, QAE, QAE2, QAE6, QAQ, QAW, QA2, QA26, QDW9, QE, QH, QHB3, QHC, QHE, QHP1, QH2, QKA2, QKA4, QKB2, QKE2, QK4, QME0, QME1, QMH, QMP, QND, QNE, QNE2, QNE6, QNE8, QNE9, QNK, QNR2, QNR6, QN18, QP, QWA2, QWA4, QWC4, QWH2, QWT2, QX, QXB, QXB7, QXC, QXC4, QXC6, QXC9, QXE, QXEB, QXE2, QXE4, QXE6, QXE7, QXE8, QXQ4, QXQ7, QXS4, QXU, SCK4, SE, SH, SHB1, SHB3, SHE, SHEZ, SHQ4, SKAE, SMC1, SMD3, SME0, SME6, SMX, SM32, SN, SNC, SNC9, SNT2, STC4, SWA4, SWE, SWX, SX, SXB, SXB7, SXC, SXE, SXEB, SXE4, SXE7, SXE8, SXP, SXQ4, SXU, SX2, VA, VAAE, VAC2, VAG2, VA2, VCN2, VC2, VDB2, VDE1, VDE2, VD2, VE, VH, VHE, VJE2, VJ2, VKB2, VK2, VMA2, VME2, VMX, VM2, VNG1, VNG2, VN17, VN27, VPE4, VPE7, VPX4, VPX7, VSD, VSD4, VSD7, VTE1, VTE5, VWA, VWA2, VWT4, VX, VXB, VXB7, VXE, VXE8, VXE2, VXE4, VXE6, VXE7, VXE8, VXF8, VXQP, VXQ4, VXTB, VXT1, VXU, VXU1, VX8
			(1)	-	-	2658575	----- LJ, LJG, LTK, SJ, SJG
			(1)	-	-	2746760	----- SME1, SM11
			-	(1)	-		





ZF60-E0200

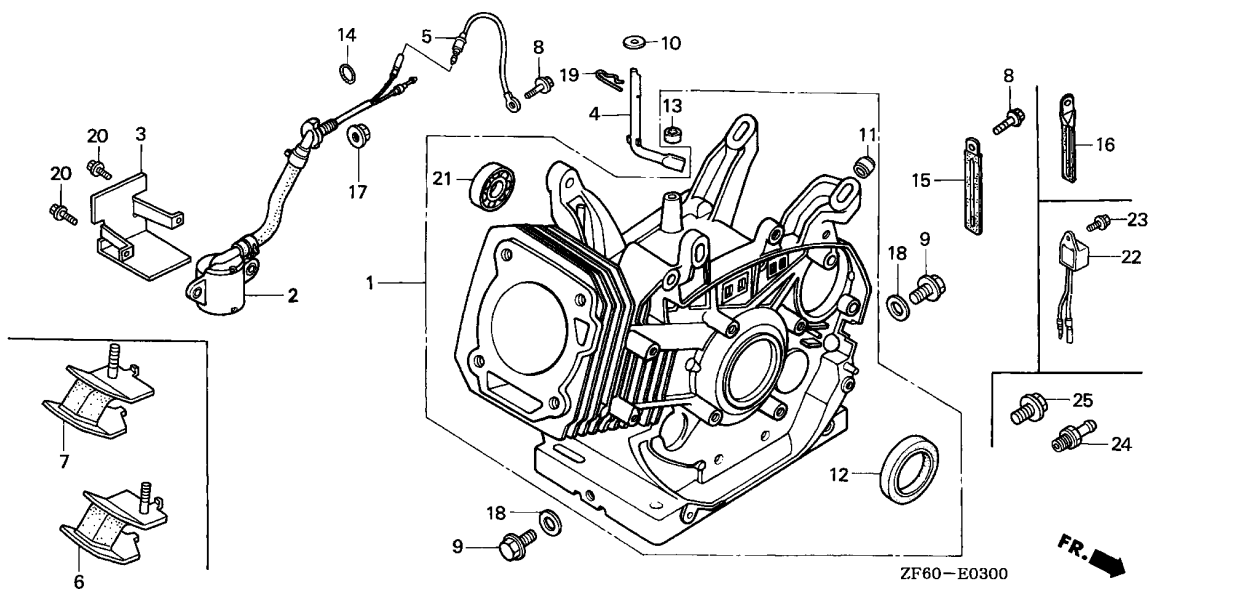


Ref. No.	Part No.	Description	Reqd. QTY			Serial No.	Parts catalogue code
			GX390K1	(1)	(2)		
18)	98079-55855	PLUG, SPARK (W16EPR-U) (DENSO)	1	-	(1)	-----	EDD2,EDS,EDS1,EDS2,EDS3,EDS5,EDS6,EDS7,EDT1,EDT5,EDT6,ED6,ED9,EN6 QAP,SKA,VAA1,VAP,VMT,VTE2,VXP,VXQP
			1	-	-	2143012	VAA
			1	-	-	3105388	ES5
			1	-	-	2283686	ES3,ES4,EWS1,EWS3,EWS4,EWS5
			(1)	-	-	-----	ED8,ES1,HH,HX,LH,LHB1,LHB3,LHC,LHE,LHP1,LHW,LKE,LKF1,LMH,LX,LXE LXE2,LXE4,LXE8,LXQ4,LXU,LXZ,LX2,PAE2,PA2,PX,PXE,PXE8,PXU,QA,QAE QAE2,QAE6,QAQ,QAW,QA2,QA26,QDW9,QE,QH,QHB3,QHC,QHE,QHP1,QH2,QKA2 QKA4,QKB2,QKE2,QK4,QME0,QME1,QMH,QMP,QND,QNE,QNE2,QNE6,QNE8,QNE9 QNK,QNR2,QNR6,QN18,QP,QWA2,QWA4,QWC4,QWH2,QWT2,QX,QXB,QXB7,QXC QXC4,QXC6,QXC9,QXE,QXEB,QXE2,QXE4,QXE6,QXE7,QXE8,QXQ4,QXQ7,QXS4 QXU,SCK4,SE,SH,SHB1,SHB3,SHE,SHEZ,SHQ4,SKAE,SMC1,SMD3,SME0,SME6 SMX,SM32,SN,SNC,SNC9,SNT2,STC4,SWA4,SWE,SWX,SX,SXB,SXB7,SXC,SXE SXEB,SXE4,SXE7,SXE8,SXP,SXQ4,SXU,SX2,VA,VAE,VAC2,VAG2,VA2,VCN2 VC2,VDB2,VDE1,VDE2,VD2,VE,VH,VHE,VJE2,VJ2,VKB2,VK2,VMA2,VME2,VMX VM2,VNG1,VNG2,VN17,VN27,VPE4,VPE7,VPX4,VPX7,VSD,VSD4,VSD7,VTE1 VTE5,VWA,VWA2,VWT4,VX,VXB,VXB7,VXE,VXEB,VXE2,VXE4,VXE6,VXE7,VXE8 VXFB,VXQ4,VXTB,VXT1,VXU,VXU1,VX8
			(1)	-	-	2658575	LJ,LJG,LTK,SJ,SJG
			(1)	-	-	2746760	SME1,SM11
			-	(1)	-	-----	-----
	98079-56841	PLUG, SPARK (BP6ES) (NGK)	1	-	-	-----	BJ,LKF1,LP,LT,LTK1,LWD,SN,YJ
			1	-	-	2223210	LHB1,LHB3,SHB1
			1	-	-	2658574	ED8,LJ,LJG,LTK,QHB3,SJ,SJG
			1	-	-	2746759	SME1,SM11
			-	(1)	-	-----	-----



Ref. No.	Part No.	Description	Reqd. QTY			Serial No.	Parts catalogue code			
			GX390K1	(1)	(2)			(3)		
18)	98079-56854	PLUG, SPARK (W20EP-U) (DENSO)	1	-	-	-----	LP,LT,QT,SN			
			1	-	-	2223210	-----	LHB1,LHB3,SHB1		
			1	-	-	-----	2658574	ED8,QHB3		
				-	(1)	-				
		98079-56855	PLUG, SPARK (W20EPR-U) (DENSO)	1	(1)	-	-----	QA,QAE,QNE,QWA4,QWC4,QXC,Q1,VA,VC2,VN17,VN27,VPE7,VPX7,VXE,V1		
		98079-55841	PLUG, SPARK (BP5ES) (NGK)	1	-	-	-----	VSB1,VSB3		
				1	-	-	2283687	-----	ES3,ES4,EWS1,EWS3,EWS4,EWS5	
				1	-	-	3105387	-----	ES5	
				(1)	-	-	-----	LP,LT,QME1,STC4		
				(1)	-	-	2658574	-----	QME0,SMC1,SMD3,SMEO,SME6	
				-	(1)	-				
	98079-55854	PLUG, SPARK (W16EP-U) (DENSO)	1	-	-	-----	VSB1,VSB3			
1			-	-	2283687	-----	ES3,ES4,EWS1,EWS3,EWS4,EWS5			
1			-	-	3105387	-----	ES5			
(1)			-	-	-----	LP,LT,QT				
98079-56846	PLUG, SPARK (BPR6ES) (NGK) ...	1	(1)	1	-----	HA,HAQ,HA2,HJA,HJA2,LXE2,LX2,PAE2,PA2,QA,QAE,QAE2,QAP,QAQ,QAW,QA2				
							QDW9,QH2,QKB2,QND,QNE,QNE2,QNE9,QNK,QNR2,QN18,QWA2,QWA4,QWC4,QWH2			
							QWT2,QXB7,QXC,QXC9,QXE2,QXE7,QXQ7,QXS4,Q1,SM32,SXB7,SXE7,SXK1,SX2			
							VA,VAC2,VAG2,VA2,VCN2,VC2,VDB2,VDE1,VDE2,VD2,VJE2,VJ2,VKB2,VK2			
							VMA2,VME2,VM2,VN17,VN27,VPE7,VPX7,VSD7,VWA,VWA2,VXB7,VXE,VXE2			
							VXE7,V1,ZK1			
					1	-	-	2658575	-----	LJ,LJG,LTK,SJ,SJG
					1	-	-	2746760	-----	SME1,SM11
					-	-	(1)	-----	SXKP	
		19	15721-ZE3-L61	TUBE, BREATHER	1	-	-	-----	ZK1	
					1	-	-	2299751	-----	SHW
			15721-ZE3-H00	1	-	-	-----	LKF1,LWD1	
20	15772-292-010	CLIP, BREATHER TUBE	2	-	-	-----	ZK1			
			2	-	-	2299751	-----	SHW		



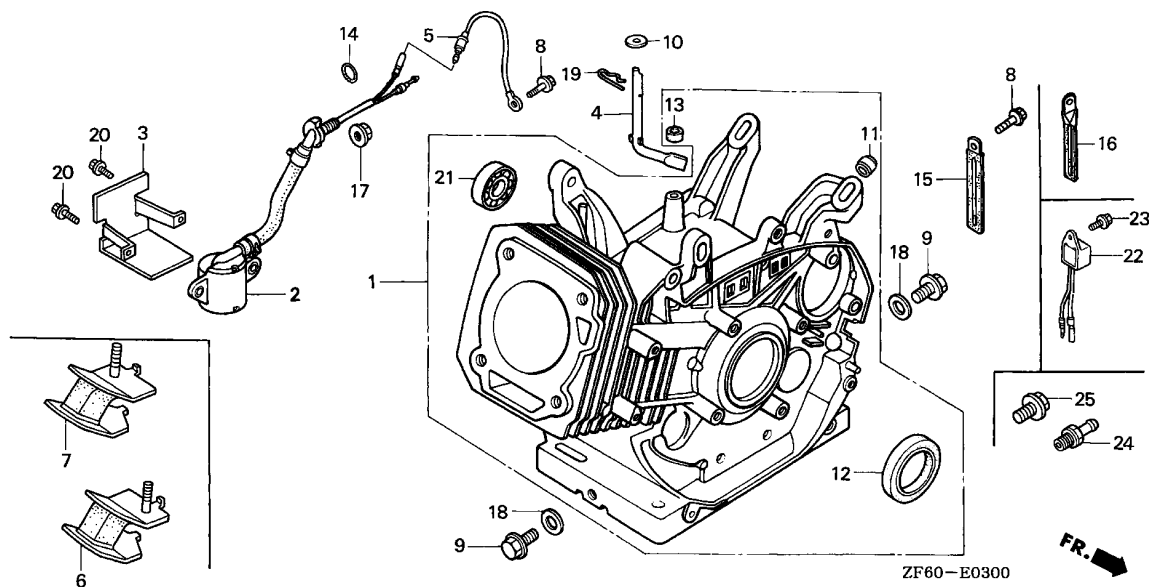


Service item	F.R.T.
ALERT UNIT, OIL	0.1
.PLUG, OIL DRAIN	
.RUBBER, BOTTOM	
(ADD 0.1 FOR EACH.)	
.SUB HARNESS	
.WASHER, DRAIN PLUG, 12MM	
O-RING, 14MM	0.5
.SWITCH ASSY., OIL LEVEL	
SHAFT, GOVERNOR ARM	0.9
BARREL ASSY., CYLINDER	1.8
.OIL SEAL, 35X52X8	
BEARING, RADIAL BALL, 6202 ...	1.9

Ref. No.	Part No.	Description	Reqd. QTY			Serial No.	Parts catalogue code
			(1)	(2)	(3)		
1	120A0-ZF6-L02	BARREL ASSY., CYLINDER (SELFSTARTER+ALERT)	1	-	-	2042522 LXE,QAE,QNE,QXE,QXEB,SXE,SXEB,VAAE,VXE,VXEB	
			-	(1)	-	2042522	
	120A0-ZF6-W00	BARREL ASSY., CYLINDER (STD.)	1	-	-	2042522 BJ,HH,LH,LHC,LJ,QE,QH,QHC,QP,QT,SE,SH,SJ,VE,VH,YJ	
			-	(1)	-	2042522	
	120A0-ZF6-W10	BARREL ASSY., CYLINDER (ALERT)	1	-	-	2042138 HA,HX,LX,LXZ,PX,QA,QX,QXB,QXC,SWX,SX,SXB,SXP,VA,VAA,VNG1,VSD,VX	
			-	(1)	-	2042138	
	120A0-ZF6-W30	BARREL ASSY., CYLINDER (SELF-STARTER)	1	-	-	SHEZ	
			1	-	-	2042522 LHE,LWD,QHE,SHE,SWE,VHE	
			-	(1)	-	2042522	
	12000-ZF6-Y30	BARREL ASSY., CYLINDER	1	-	-	3020570 LP	
	120A0-ZF6-L03	BARREL ASSY., CYLINDER (SELFSTARTER+ALERT)	1	-	-	2087115 EDS,ES4,VNG2	
			1	-	-	2087547 VWA	
			1	-	-	2042523 2087115 LXE,QXE,QXEB,SXE,SXEB,VAAE,VXEB	
			1	-	-	2042523 2087547 QAE,QNE,VXE	
			-	(1)	-	2042523 2087119	
	120A0-ZF6-W01	BARREL ASSY., CYLINDER	1	-	-	2092911 ED8,SN	
			1	-	-	2042523 2092911 BJ,HH,LH,LHC,LJ,QE,QH,QHC,QP,QT,SE,SH,SJ,VE,VH,YJ	
			-	(1)	-	2042523 2092911	
	120A0-ZF6-W11	BARREL ASSY., CYLINDER (ALERT)	1	-	-	2086418 ED6,ES1,ES3,HJA,SNC	
			1	-	-	2123630 HAQ,QAQ	
			1	-	-	2042139 2086418 HA,HX,LX,LXZ,PX,QA,QX,QXB,QXC,SWX,SX,SXB,SXP,VA,VAA,VNG1,VSD,VX	
			-	(1)	-	2042139 2087119 L1,S1	

Ref. No.	Part No.	Description	Reqd. QTY			Serial No.	Parts catalogue code
			(1)	(2)	(3)		
(1)	120A0-ZF6-W31	BARREL ASSY., CYLINDER (SELF-STARTER)	1	-	-	2042523 2097693	LWD
			1	-	-	2042523 2137098	LHE,QHE,SHE,SWE,VHE
			-	(1)	-	2042523 2087119	
	12000-ZF6-W02	BARREL ASSY., CYLINDER	1	(1)	-	2092912	BJ,LHC,QHC,QP,Q1,SE,VE,VH,V1,YJ
			1	-	-	-----	LHB1,LMH,QH2,VTE2
			-	(1)	-	2092912 3020570	L1,S1
	12000-ZF6-W12	BARREL ASSY., CYLINDER (ALERT)	1	-	-	-----	QKA2,SMX,SNC9,SNT2,SX2,VMX
			1	-	-	2086419	ES1,HA,HJA,HX,LXZ,QA,SXP,VA
			1	-	-	2123631	HAQ,QAQ
			1	-	-	-----	3020570 ED6,HA2,HJA2,LX2,PA2,QAW,QA2,QDW9,QWA2,QWA4,QWC4,QXC9,VAC2,VAG2
						-----	VA2,VD2,VJ2,VMA2,VM2
			1	-	-	-----	3070124 EDT1,EDT5,ED9,EWS1,EWS3,LXQ4,LXU,PXU,QA26,QK4,QXC4,QXC6,QXQ4,QXU
						-----	SMD3,SME6,SWA4,SXK,SXQ4,SXU,VAA1,VPX4,VSB1,VXQ4,VXTB,VXT1,VXU,VX8
			1	-	-	2086419 3020570	QXC
			1	-	-	2086419 3070124	ES3,LX,PX,QX,QXB,SNC,SWX,SX,SXB,VAA,VNG1,VSD,VX,VXB
			-	(1)	-	2087120	Q1
			-	(1)	-	2087120 3020570	L1,S1,V1
	12000-ZF6-W32	BARREL ASSY., CYLINDER (SELF-STARTER)	1	-	-	2137099	VHE
			1	-	-	-----	3020570 QNK
			-	(1)	-	2087120	Q1,S1,V1
			-	(1)	-	2087120 3020570	L1
	12000-ZF6-Y32	BARREL ASSY., CYLINDER	1	-	-	3020571	LP
	12000-ZF6-405	1	-	-	-----	EDS3,EDS5,PXE,QKE2,QN18,SKA,VDE1
			1	-	-	2087116	VAAE
			1	-	-	2087548	QAE,QNE,VWA
			1	-	-	-----	3020570 EDD2,EDS1,EDS2,EDS7,ES5,EWS4,EWS5,LKE,LXE2,LXE4,LXE8,PAE2,PXE8
						-----	QAE2,QAE6,QKA4,QKB2,QME0,QME1,QMP,QND,QNE2,QNE6,QNE8,QNE9,QNR2
						-----	QNR6,QXE4,QXE6,QXE8,SCK4,SHW,SMEO,SM32,STC4,SXE4,SXE8,VCN2,VDE2
						-----	VJE2,VKB2,VME2,VMT,VPE4,VSB3,VSD4,VTE1,VTE5,VWA2,VWT4,VXE2,VXE4
						-----	VXE6,VXE8,VXFB,VXU1
			1	-	-	2087116 3020570	EDS,ES4,LXE,QXE,QXEB,SXE,SXEB,VNG2,VXEB
			1	-	-	2087548 3020570	VXE
			-	1	-	2087120	Q1
			-	1	-	2087120 3020570	L1,S1,V1
	12000-ZF6-W03	1	-	-	-----	LHB3,LHP1,LHW,LJG,LT,QHB3,QHP1,QMH,SHB1,SHB3,SHQ4,SJG,SMC1,SM11
			1	-	-	2092912	ED8,HH,LH,LJ,QE,QH,QT,SH,SJ,SN
			-	(1)	-	3020571	L1,S1
	12000-ZF6-W13	BARREL ASSY., CYLINDER (ALERT)	1	(1)	-	3020571	ED6,HA2,HJA2,LX2,L1,PA2,QAW,QA2,QDW9,QWA2,QWA4,QWC4,QXC,QXC9,S1
						-----	VAC2,VAG2,VA2,VD2,VJ2,VMA2,VM2,V1
			1	-	1	-----	EDT6,EN6,QAP,QWT2,QXB7,QXQ7,QXS4,SXB7,SXC,SXKP,VN17,VPX7,VSD7
						-----	VXB7,VXP,VXQP
			1	-	-	3070125	EDT1,EDT5,ED9,ES3,EWS1,EWS3,LX,LXQ4,LXU,PX,PXU,QA26,QK4,QX,QXB
						-----	QXC4,QXC6,QXQ4,QXU,SMD3,SME6,SNC,SWA4,SWX,SX,SXB,SXK,SXQ4,SXU,VAA
						-----	VAA1,VNG1,VPX4,VSB1,VSD,VX,VXB,VXQ4,VXTB,VXT1,VXU,VX8
	12000-ZF6-W33	BARREL ASSY., CYLINDER (SELF-STARTER)	1	(1)	-	3020571	L1,QNK
			1	-	-	-----	LHE,LKF1,LTK,LTK1,LWD,LWD1,QHE,SHE,SKAE,SME1,SWE,ZK1
	12000-ZF6-415	BARREL ASSY., CYLINDER	1	1	-	3020571	EDD2,EDS,EDS1,EDS2,EDS7,ES4,ES5,EWS4,EWS5,LKE,LXE,LXE2,LXE4,LXE8
						-----	L1,PAE2,PXE8,QAE2,QAE6,QKA4,QKB2,QME0,QME1,QMP,QND,QNE2,QNE6,QNE8
						-----	QNE9,QNR2,QNR6,QXE,QXEB,QXE4,QXE6,QXE8,SCK4,SHW,SMEO,SM32,STC4
						-----	SXE,SXEB,SXE4,SXE8,S1,VCN2,VDE2,VJE2,VKB2,VME2,VMT,VNG2,VPE4,VSB3
						-----	VSD4,VTE1,VTE5,VWA2,VWT4,VXE,VXEB,VXE2,VXE4,VXE6,VXE8,VXFB,VXU1
						-----	V1
			1	-	-	-----	EDS6,QWH2,QXE7,SXE7,VC2,VDB2,VK2,VN27,VPE7,VXE7

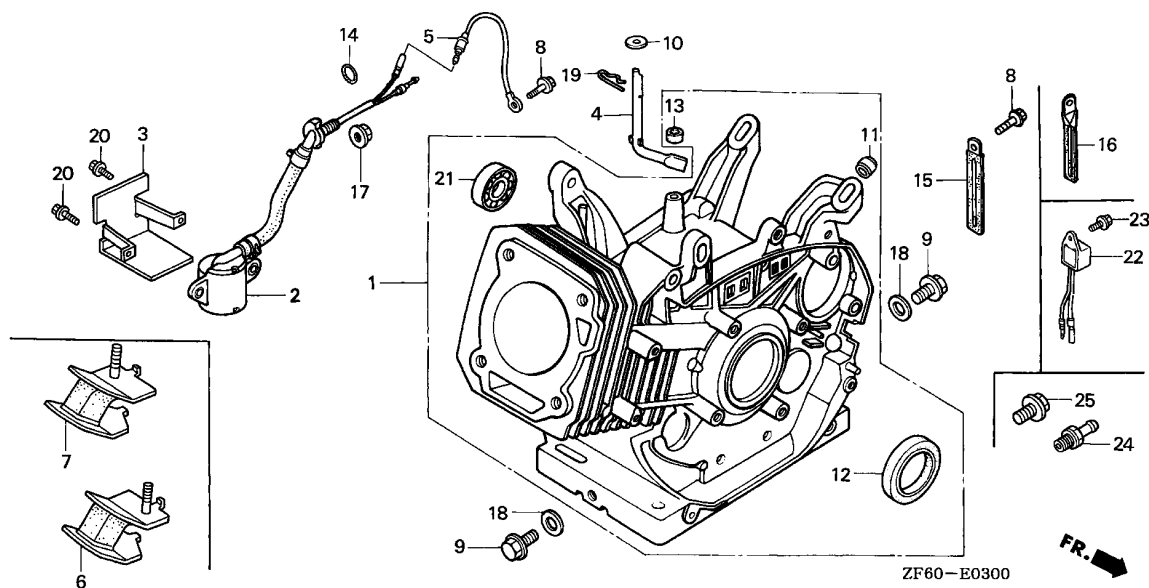




Ref. No.	Part No.	Description	Reqd. QTY			Serial No.	Parts catalogue code
			GX390K1	(1)	(2)		
2	15510-ZE2-013	SWITCH ASSY., OIL LEVEL	1	-	-	2042138	HA, HX, LX, LXE, LXZ, PX, QA, QAE, QNE, QX, QXB, QXC, QXE, QXEB, SWX, SX, SXB, SXE, SXEB, SXP, VA, VAA, VAAE, VNG1, VSD, VX, VXB, VXE, VXEB
			-	(1)	-	2042138	
	15510-ZE2-023	1	-	-	2103365	EWS1, EWS3, EWS4, EWS5
			1	-	-	2334667	EDD2, EDS, EDS1, EDS3, EDS5, EDT1, ED6, ED9, ES1, ES3, ES4, HAQ, HA2, HJA, HJA2, LXE2, LXE4, LXQ4, LX2, PXE, QAE2, QAE6, QAA, QA2, QA26, QDW9, QKA2, QKA4, QKE2, QME0, QME1, QNE2, QNE6, QNE9, QNR2, QN18, QXC4, QXC6, QXC9, QXE2, QXE4, QXE6, QXQ4, SCK4, SHW, SKA, SMD3, SME0, SME6, SNC, SNC9, SNT2, STC4, SWA4, SXE4, SXQ4, SX2, VAG2, VA2, VDE1, VDE2, VMA2, VMX, VNG2, VSD4, VVA, VVA2, VXE2, VXE4, VXQ4, VXU, VXU1
			1	-	-	2042139	2334667 HA, HX, LX, LXE, LXZ, PX, QA, QAE, QNE, QX, QXB, QXC, QXE, QXEB, SWX, SX, SXB, SXE, SXEB, SXP, VA, VAA, VAAE, VNG1, VSD, VX, VXB, VXE, VXEB
			-	(1)	-	2042139	2334667
			-	-	1	1000009	VXP, VXQP
	15510-ZE2-033	1	-	-	2334668	HA, HAQ, HJA, HX, LXZ, QA, QAE, QAA, QKA2, QKE2, SKA, SNC9, SNT2, SXP, SX2, VA, VAAE, VDE1, VVA
			1	-	-	2456575	EDS2, LKE, PA2, QNR6, SMX, SXK, VME2, VM2, VPE4, VPX4, VSB1, VSB3, VTE1, VWT4, VXE6, VXF6, VXTB
			1	-	-	2334668	2456575 EDD2, EDS, EDS1, EDS3, EDS5, EDT1, ED6, ED9, ES1, ES3, ES4, HA2, HJA2, LX, LXE, LXE2, LXE4, LXQ4, LX2, PX, PXE, QAE2, QAE6, QA2, QA26, QDW9, QKA4, QME0, QME1, QNE, QNE2, QNE6, QNE9, QNR2, QN18, QX, QXB, QXC, QXC4, QXC6, QXC9, QXE, QXEB, QXE2, QXE4, QXE6, QXQ4, SCK4, SHW, SMD3, SME0, SME6, SNC, STC4, SWA4, SWX, SX, SXB, SXE, SXEB, SXE4, SXQ4, VAA, VAG2, VA2, VDE2, VMA2, VMX, VNG1, VNG2, VSD, VSD4, VVA2, VX, VXB, VXE, VXEB, VXE2, VXE4, VXQ4, VXU, VXU1
			-	(1)	-	2334668	2456575
			-	-	1	1000010	1000082 VXP, VXQP

Ref. No.	Part No.	Description	Reqd. QTY			Serial No.	Parts catalogue code	
			(1)	(2)	(3)			
(2)	15510-ZE2-043	SWITCH ASSY., OIL LEVEL	1	-	1	-----	EDS6,EDT6,EN6,ES5,LXE8,LXU,PAE2,PXE8,PXU,QAP,QAW,QKB2,QK4,QMP,QND,QNE8,QWA2,QWA4,QWC4,QWH2,QWT2,QXB7,QXE7,QXE8,QXQ7,QXS4,QXU,SM32,SXB7,SXC,SXE7,SXE8,SXKP,SXK1,SXU,VAA1,VAC2,VAP,VCN2,VC2,VDB2,VD2,VJE2,VJ2,VKB2,VK2,VMT,VN17,VN27,VPE7,VPX7,VSD7,VTE5,VXB7,VXE7,VXE8,VXT1,VX8	
			1	-	-	2456576	-----	EDD2,EDS,EDS1,EDS2,EDS3,EDS5,EDT1,ED6,ED9,ES1,ES3,ES4,HA2,HJA2,LKE,LX,LXE,LXE2,LXE4,LXQ4,LX2,PA2,PX,PXE,QAE2,QAE6,QA2,QA26,QDW9,QKA4,QMEO,QME1,QNE,QNE2,QNE6,QNE9,QNR2,QNR6,QN18,QX,QXB,QXC,QXC4,QXC6,QXC9,QXE,QXEB,QXE2,QXE4,QXE6,QXQ4,SCK4,SHW,SMD3,SME0,SME6,SMX,SNC,STC4,SWA4,SWX,SX,SXB,SXE,SXEB,SXE4,SXK, SXQ4, VAA,VAG2,VA2,VDE2,VMA2,VME2,VMX,VM2,VNG1,VNG2,VPE4,VPX4, VSB1, VSB3, VSD,VSD4,VTE1,VWA2,VWT4,VX,VXB,VXE,VXEB,VXE2,VXE4,VXE6,VXFB,VXQ4,VXTB,VXU,VXU1
			-	(1)	-	2456576	-----	VXP,VXQP
			-	-	1	1000083	-----	
	15510-ZE2-702	1	-	-	2103366	2334597	EWS1,EWS3,EWS4,EWS5
	15510-ZE2-703	1	-	-	2456575	2456575	EDS7,EDT5
			1	-	-	2334598	2456575	EWS1,EWS3,EWS4,EWS5
	15510-ZE2-704	1	-	-	2456576	-----	EDS7,EDT5,EWS1,EWS3,EWS4,EWS5
3	15515-ZE3-700	PLATE, OIL LEVEL SWITCH	1	-	-	2103366	2334597	EWS1,EWS3,EWS4,EWS5
	15515-ZE3-701	1	-	-	-----	-----	EDS7,EDT5
			1	-	-	2334598	-----	EWS1,EWS3,EWS4,EWS5
4	16541-ZE3-000	SHAFT, GOVERNOR ARM	1	1	-	-----	-----	LXE4,LXQ4,L1,QA,QAE,QMEO,QME1,QNE,QXC,QXC4,QXE4,QXQ4,SHEZ,SHQ4,SKA,SMC1,SMD3,SME0,SME6,SXE4,SXQ4,S1,VA,VXE,VXE4,VXQ4
			1	1	-	2164704	2164704	BJ,EDS,EDS1,EDS3,EDT1,ED6,ED8,ES1,ES3,ES4,EWS1,EWS3,EWS4,EWS5,HA,HAQ,HH,HJA,HX,LH,LHC,LHE,LJ,LJG,LWD,LX,LXE,LXZ,PX,QA,QAE,QAQ,QE,QH,QHC,QHE,QNE9,QN18,QP,QT,QX,QXB,QXE,QXEB,Q1,SE,SH,SHE,SJ,SJG,SN,SNC,SWE,SWX,SX,SXB,SXE,SXEB,SXP,VAA,VAAE,VDE1,VE,VH,VHE,VMX,VNG1,VNG2,VSD,VWA,VX,VXB,VXE,VXEB,VXU,VXU1,V1,YJ,ZK1
			1	-	-	2161739	2161739	ED9
	16541-ZE3-010	1	1	-	2164705	2164705	BJ,EDS,EDS1,EDS3,EDT1,ED8,ES1,ES3,ES4,EWS1,EWS3,EWS4,EWS5,HA,HAQ,HH,HJA,HX,LH,LHC,LHE,LJ,LJG,LWD,LX,LXE,LXZ,PX,QA,QAE,QAQ,QE,QH,QHC,QHE,QNE,QNE9,QN18,QP,QT,QX,QXB,QXC,QXE,QXEB,Q1,SE,SH,SHE,SJ,SJG,SN,SNC,SWE,SWX,SX,SXB,SXE,SXEB,SXP,VA,VAA,VAAE,VDE1,VE,VH,VHE,VMX,VNG1,VNG2,VSD,VWA,VX,VXB,VXE,VXEB,VXU,VXU1,V1,YJ,ZK1
			1	-	-	-----	-----	EDD2,EDS2,EDS5,EDS6,EDS7,EDT5,EDT6,ED6,EN6,ES5,HA2,HJA2,LHB1,LHB3,LHP1,LHW,LKE,LKF1,LMH,LT,LTK, LTK1, LWD1, LXE2, LXE8, LXU, LX2, PAE2, PA2, PXE, PXE8, PXU, QAE2, QAE6, QAW, QA2, QA26, QDW9, QHB3, QHP1, QH2, QKA2, QKA4, QKB2, QKE2, QK4, QMH, QMP, QND, QNE2, QNE6, QNE8, QNK, QNR2, QNR6, QWA2, QWA4, QWC4, QWH2, QWT2, QXB7, QXC6, QXC9, QXE2, QXE6, QXE7, QXE8, QXQ7, QXS4, QXU, SCK4, SHB1, SHB3, SHW, SKAE, SME1, SMX, SM11, SM32, SNC9, SNT2, STC4, SWA4, SXB7, SXC, SXE7, SXE8, SXK, SXK1, SXU, SX2, VAA1, VAC2, VAG2, VA2, VCN2, VC2, VDB2, VDE2, VD2, VJE2, VJ2, VKB2, VK2, VMA2, VME2, VMT, VMT2, VN17, VN27, VPE4, VPE7, VPX4, VPX7, VSB1, VSB3, VSD4, VSD7, VTE1, VTE2, VTE5, VWA2, VWT4, VXB7, VXE2, VXE6, VXE7, VXE8, VXFB, VXTB, VXT1, VX8
			1	-	-	2161740	-----	ED9
			-	-	1	-----	-----	
5	32197-ZE2-003	SUB HARNESS	1	-	-	-----	-----	EDS1,EDT1,SHW
			1	-	-	2334667	2334667	EDD2,EDS,EDS3,EDS5,ED6,ED9,ES1,HAQ,HA2,HJA,HJA2,LXE2,LXE4,LXQ4,LX2,PXE,QAE2,QAE6,QAQ,QA2,QA26,QDW9,QKA2,QKA4,QKE2,QMEO,QME1,QNE2,QNE6,QNE9,QNR2,QN18,QXC4,QXC6,QXC9,QXE2,QXE4,QXE6,QXQ4,SCK4,SKA,SMD3,SME0,SME6,SNC,SNC9,SNT2,STC4,SWA4,SXE4,SXQ4,SX2,VAG2,VA2,VDE1,VDE2,VMA2,VMX,VNG2,VSD4,VWA,VWA2,VXE2,VXE4,VXQ4,VXU,VXU1
			1	-	-	2042139	2334667	HA,HX,LX,LXE,LXZ,PX,QA,QAE,QNE,QX,QXB,QXC,QXE,QXEB,SWX,SX,SXB,SXE,SXEB,SXP,VA,VAA,VAAE,VNG1,VSD,VX,VXB,VXE,VXEB
			-	(1)	-	2042139	2334667	
			-	-	1	1000009	1000009	VXP,VXQP

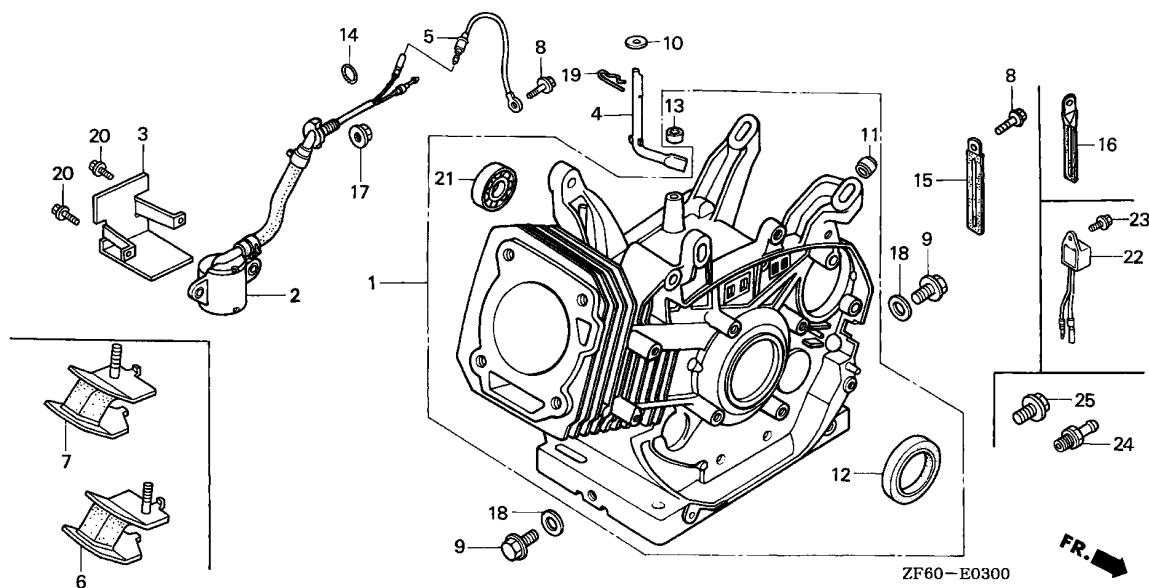




Ref. No.	Part No.	Description	Reqd. QTY			Serial No.	Parts catalogue code
			(1)	(2)	(3)		
(5)	31161-ZE2-000	CORD, EARTH	1	-	-	ES5,VSB1,VSB3	
			1	-	2334668	ES3,ES4,EWS1,EWS3,EWS4,EWS5	
6	68325-ZC2-000	RUBBER, BOTTOM	2	-	-	ES3,ES4,ES5,EWS1,EWS3,EWS4,EWS5,VSB1,VSB3	
7	68325-899-000	RUBBER, BOTTOM	2	-	-	ES3,ES4,ES5,EWS1,EWS3,EWS4,EWS5,VSB1,VSB3	
8	90013-883-000	BOLT, FLANGE, 6X12(CT200) ...	1	(1)	-	2042139 2334667	HX,LX,LXE,LXZ,L1,PX,QX,QXB,QXE,QXEB,SWX,SX,SXB,SXE,SXEB,SXP,S1 VAA,VAE,VNG1,VSD,VX,VXB,VXEB
			1	-	-	LT,VMT,VSB1	
			1	-	2334668	ES3,EWS1,EWS3	
			1	-	2334667	EDD2,EDS,EDS3,EDS5,ED6,ED9,ES1,HAQ,HA2,HJA,HJA2,LXE2,LXE4,LXQ4 LX2,PXE,QAE2,QAE6,QAQ,QA2,QA26,QDW9,QKA2,QKA4,QKE2,QME0,QME1,QNE2 QNE6,QNE9,QNR2,QN18,QXC4,QXC6,QXC9,QXE2,QXE4,QXE6,QXQ4,SCK4,SKA SMD3,SME0,SME6,SNC,SNC9,SNT2,STC4,SWA4,SXE4,SXQ4,SX2,VAG2,VA2 VDE1,VDE2,VMA2,VMX,VNG2,VSD4,VWA,VWA2,VXE2,VXE4,VXQ4,VXU,VXU1	
			1	-	2335517	EDS1,EDT1,SHW	
			1	-	2042139	2335517	HA,QA,QAE,QNE,QXC,VA,VXE
			2	-	-	ES5,VSB3	
			2	-	2334668	ES4,EWS4,EWS5	
			-	1	2042139	2334667	Q1,V1
			-	1	-	1000009	VXP,VXQP
9	90131-883-000	BOLT, DRAIN PLUG, 12X15	2	2	2		

Ref. No.	Part No.	Description	Reqd. QTY			Serial No.	Parts catalogue code
			GX390K1	(1)	(2)		
10	90446-KE1-000	WASHER, 8.2X17X0.8	1	-	-	-----	BJ,EDD2,EDS,EDS1,EDS2,EDS3,EDS5,EDS6,EDS7,EDT1,EDT5,EDT6,ED6,ED8,ED9,EN6,ES1,ES3,ES4,ES5,EWS1,EWS3,EWS4,EWS5,HA,HAQ,HA2,HH,HJA,HJA2,HX,LH,LHB1,LHB3,LHC,LHE,LHP1,LHW,LJ,LJG,LKE,LKF1,LMH,LT,LT,LTK1,LTK1,LWD,LWD1,LX,LXE,LXE2,LXE4,LXE8,LXQ4,LXU,LXZ,LX2,PAE2,PA2,PX,PXE,PXE8,PXU,QA,QAE,QAE2,QAE6,QAQ,QAW,QA2,QA26,QDW9,QE,QH,QHB3,QHC,QHE,QHP1,QH2,QKA2,QKA4,QKB2,QKE2,QK4,QME0,QME1,QMH,QMP,QND,QNE,QNE2,QNE6,QNE8,QNE9,QNK,QNR2,QNR6,QN18,QP,QT,QWA2,QWA4,QWC4,QWH2,QWT2,QX,QXB,QXB7,QXC,QXC4,QXC6,QXC9,QXE,QXEB,QXE2,QXE4,QXE6,QXE7,QXE8,QXQ4,QXQ7,QXS4,QXU,SCK4,SE,SH,SHB1,SHB3,SHE,SHEZ,SHQ4,SHW,SJ,SJG,SKA,SKAE,SMC1,SMD3,SME0,SME1,SME6,SMX,SM11,SM32,SN,SNC,SNC9,SNT2,STC4,SWA4,SWE,SWX,SX,SXB,SXB7,SXC,SXE,SXEB,SXE4,SXE7,SXE8,SXK,SXK1,SXP,SXQ4,SXU,SX2,VA,VAA,VAE,VAA1,VAC2,VAG2,VA2,VCN2,VC2,VDB2,VDE1,VDE2,VD2,VE,VH,VHE,VJE2,VJ2,VKB2,VK2,VMA2,VME2,VMT,VMX,VM2,VNG1,VNG2,VN17,VN27,VPE4,VPE7,VPX4,VPX7,VS1,VS3,VSD,VSD4,VSD7,VTE1,VTE2,VTE5,VWA,VWA2,VWT4,VX,VXB,VXB7,VXE,VXEB,VXE2,VXE4,VXE6,VXE7,VXE8,VXFB,VXQ4,VXTB,VXT1,VXU,VXU1,VX8,YJ,ZK1
			-	1	1		
11	90801-ZE2-003	PLUG, SEALING	1	-	-	-----	BJ,ED8,HH,LH,LHB1,LHB3,LHC,LHE,LHP1,LHW,LJ,LJG,LKF1,LMH,LP,LT,LTK1,LTK1,LWD,LWD1,QE,QH,QHB3,QHC,QHE,QHP1,QH2,QMH,QNK,QP,QT,SE,SH,SHB1,SHB3,SHE,SHEZ,SHQ4,SJ,SJG,SKAE,SMC1,SME1,SM11,SN,SWE,VE,VH,VHE,VTE2,YJ,ZK1
			-	(1)	-		
12	91201-ZE3-004	OIL SEAL, 35X52X8	1	1	1		
13	91203-952-771	OIL SEAL, 8X14X5	1	-	-	-----	BJ,EDD2,EDS,EDS1,EDS2,EDS3,EDS5,EDS6,EDS7,EDT1,EDT5,EDT6,ED6,ED8,ED9,EN6,ES1,ES3,ES4,ES5,EWS1,EWS3,EWS4,EWS5,HA,HAQ,HA2,HH,HJA,HJA2,HX,LH,LHB1,LHB3,LHC,LHE,LHP1,LHW,LJ,LJG,LKE,LKF1,LMH,LT,LTK1,LTK1,LWD,LWD1,LX,LXE,LXE2,LXE4,LXE8,LXQ4,LXU,LXZ,LX2,PAE2,PA2,PX,PXE,PXE8,PXU,QA,QAE,QAE2,QAE6,QAQ,QAW,QA2,QA26,QDW9,QE,QH,QHB3,QHC,QHE,QHP1,QH2,QKA2,QKA4,QKB2,QKE2,QK4,QME0,QME1,QMH,QMP,QND,QNE,QNE2,QNE6,QNE8,QNE9,QNK,QNR2,QNR6,QN18,QP,QT,QWA2,QWA4,QWC4,QWH2,QWT2,QX,QXB,QXB7,QXC,QXC4,QXC6,QXC9,QXE,QXEB,QXE2,QXE4,QXE6,QXE7,QXE8,QXQ4,QXQ7,QXS4,QXU,SCK4,SE,SH,SHB1,SHB3,SHE,SHEZ,SHQ4,SHW,SJ,SJG,SKA,SKAE,SMC1,SMD3,SME0,SME1,SME6,SMX,SM11,SM32,SN,SNC,SNC9,SNT2,STC4,SWA4,SWE,SWX,SX,SXB,SXB7,SXC,SXE,SXEB,SXE4,SXE7,SXE8,SXK,SXK1,SXP,SXQ4,SXU,SX2,VA,VAA,VAE,VAA1,VAC2,VAG2,VA2,VCN2,VC2,VDB2,VDE1,VDE2,VD2,VE,VH,VHE,VJE2,VJ2,VKB2,VK2,VMA2,VME2,VMT,VMX,VM2,VNG1,VNG2,VN17,VN27,VPE4,VPE7,VPX4,VPX7,VS1,VS3,VSD,VSD4,VSD7,VTE1,VTE2,VTE5,VWA,VWA2,VWT4,VX,VXB,VXB7,VXE,VXEB,VXE2,VXE4,VXE6,VXE7,VXE8,VXFB,VXQ4,VXTB,VXT1,VXU,VXU1,VX8,YJ,ZK1
			-	(1)	1		
14	91353-671-004	O-RING, 14MM(NOK)	1	-	-	-----	EDD2,EDS,EDS1,EDS2,EDS3,EDS5,EDS6,EDS7,EDT1,EDT5,EDT6,ED6,ED9,EN6,ES1,ES3,ES4,ES5,EWS1,EWS3,EWS4,EWS5,HA,HAQ,HA2,HJA,HJA2,HX,LKE,LX,LXE,LXE2,LXE4,LXE8,LXQ4,LXU,LXZ,LX2,PAE2,PA2,PX,PXE,PXE8,PXU,QA,QAE,QAE2,QAE6,QAQ,QAW,QA2,QA26,QDW9,QKA2,QKA4,QKB2,QKE2,QK4,QME0,QME1,QMP,QND,QNE,QNE2,QNE6,QNE8,QNE9,QNR2,QNR6,QN18,QWA2,QWA4,QWC4,QWH2,QWT2,QX,QXB,QXB7,QXC,QXC4,QXC6,QXC9,QXE,QXEB,QXE2,QXE4,QXE6,QXE7,QXE8,QXQ4,QXQ7,QXS4,QXU,SCK4,SHW,SKA,SMD3,SME0,SME6,SMX,SM11,SM32,SN,SNC,SNC9,SNT2,STC4,SWA4,SWE,SWX,SX,SXB,SXB7,SXC,SXE,SXEB,SXE4,SXE7,SXE8,SXK,SXK1,SXP,SXQ4,SXU,SX2,VA,VAA,VAE,VAA1,VAC2,VAG2,VA2,VCN2,VC2,VDB2,VDE1,VDE2,VD2,VJE2,VJ2,VKB2,VK2,VMA2,VME2,VMT,VMX,VM2,VNG1,VNG2,VN17,VN27,VPE4,VPE7,VPX4,VPX7,VS1,VS3,VSD,VSD4,VSD7,VTE1,VTE2,VTE5,VWA,VWA2,VWT4,VX,VXB,VXB7,VXE,VXEB,VXE2,VXE4,VXE6,VXE7,VXE8,VXFB,VXQ4,VXTB,VXT1,VXU,VXU1,VX8
			-	(1)	1		
15	91406-671-000	CLIP, WIRE HARNESS	1	-	-	-----	ES4,ES5,EWS4,EWS5,VMT,VS3
16	91406-729-000	CLIP, HEAD	1	-	-	-----	ES4,ES5,EWS4,EWS5,VS3



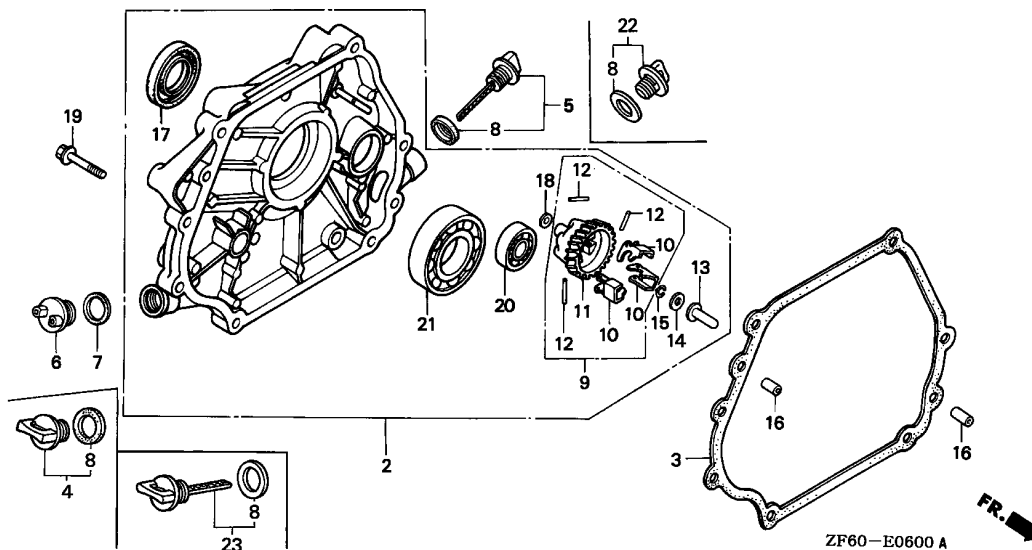


ZF60-E0300

Ref. No.	Part No.	Description	Reqd. QTY			Serial No.	Parts catalogue code
			(1)	(2)	(3)		
17	94050-10000	NUT, FLANGE, 10MM	1	-	-	-----	EDD2,EDS,EDS1,EDS2,EDS3,EDS5,EDS6,EDS7,EDT1,EDT5,EDT6,ED6,ED9,EN6 ES1,ES3,ES4,ES5,EWS1,EWS3,EWS4,EWS5,HA,HAQ,HA2,HJA,HJA2,HX,LKE,LX LXE,LXE2,LXE4,LXE8,LXQ4,LXU,LXZ,LX2,PAE2,PA2,PX,PXE,PXE8,PXU,QA QAE,QAE2,QAE6,QAQ,QAW,QA2,QA26,QDW9,QKA2,QKA4,QKB2,QKE2,QK4,QMEO QME1,QMP,QND,QNE,QNE2,QNE6,QNE8,QNE9,QNR2,QNR6,QN18,QWA2,QWA4 QWC4,QWH2,QWT2,QX,QXB,QXB7,QXC,QXC4,QXC6,QXC9,QXE,QXEB,QXE2,QXE4 QXE6,QXE7,QXE8,QXQ4,QXQ7,QXS4,QXU,SCK4,SHW,SKA,SMD3,SME0,SME6,SMX SM32,SNC,SNC9,SNT2,STC4,SWA4,SWX,SX,SBX,SBX7,SXC,SXE,SXEB,SXE4 SXE7,SXE8,SXK,SXK1,SXP,SXQ4,SXU,SX2,VA,VAA,VAAE,VAA1,VAC2,VAG2 VA2,VCN2,VC2,VDB2,VDE1,VDE2,VD2,VJE2,VJ2,VKB2,VK2,VMA2,VME2,VMT VMX,VM2,VNG1,VNG2,VN17,VN27,VPE4,VPE7,VPX4,VPX7,VS1,VS3,VSD VSD4,VSD7,VTE1,VTE5,VWA,VWA2,VWT4,VX,VXB,VXB7,VXE,VXEB,VXE2,VXE4 VXE6,VXE7,VXE8,VXFB,VXQ4,VXTB,VXT1,VXU,VXU1,VX8
18	94109-12000	WASHER, DRAIN PLUG, 12MM ----	-	(1)	1	-----	
19	94251-08000	PIN, LOCK, 8MM	2	2	2	-----	LXE4,LXQ4,L1,QA,QAE,QMEO,QME1,QNE,QXC,QXC4,QXE4,QXQ4,SHEZ,SHQ4 SKA,SMC1,SMD3,SME0,SME6,SXE4,SXQ4,S1,VA,VXE,VXE4,VXQ4
			1	1	-	-----	2167099 BJ,EDS1,EDT1,LJ,LJG,LWD,Q1,SJ,SJG,V1,YJ,ZK1
			1	-	-	-----	2161739 ED9
			1	-	-	-----	2164704 EDS,EDS3,ED6,ED8,ES1,ES3,ES4,EWS1,EWS3,EWS4,EWS5,HA,HAQ,HH,HJA,HX LH,LHC,LHE,LX,LXE,LXZ,PX,QAQ,QE,QH,QHC,QHE,QNE9,QN18,QP,QT,QX,QXB QXE,QXEB,SE,SH,SHE,SN,SNC,SWE,SWX,SX,SBX,SXE,SXEB,SXP,VAA,VAAE VDE1,VE,VH,VHE,VMX,VNG1,VNG2,VSD,VWA,VX,VXB,VXEB,VXU1

Ref. No.	Part No.	Description	Reqd. QTY			Serial No.	Parts catalogue code
			GX390K1 (1)	(2)	(3)		
19)	94251-10000	PIN, LOCK, 10MM	1	1	-	2167100	----- BJ,EDS1,EDT1,LJ,LJG,LWD,Q1,SJ,SJG,V1,YJ,ZK1 EDD2,EDS2,EDS5,EDS6,EDS7,EDT5,EDT6,ED6,EN6,ES5,HA2,HJA2,LHB1,LHB3 LHP1,LHW,LKE,LKF1,LMH,LT,LTk,LTk1,LWD1,LXE2,LXE8,LXU,LX2,PAE2,PA2 PXE,PXE8,PXU,QAE2,QAE6,QAW,QA2,QA26,QDW9,QHB3,QHP1,QH2,QKA2,QKA4 QKB2,QKE2,QK4,QMH,QMP,QND,QNE2,QNE6,QNE8,QNK,QNR2,QNR6,QWA2,QWA4 QWC4,QWH2,QWT2,QXB7,QXC6,QXC9,QXE2,QXE6,QXE7,QXE8,QXQ7,QXS4,QXU SCK4,SHB1,SHB3,SHW,SKAE,SME1,SMX,SM11,SM32,SNC9,SNT2,STC4,SWA4 SXB7,SXC,SXE7,SXE8,SXK,SXK1,SXU,SX2,VAA1,VAC2,VAG2,VA2,VCN2,VC2 VDB2,VDE2,VD2,VJE2,VJ2,VKB2,VK2,VMA2,VME2,VMT,VM2,VM2,VM2,VN17,VN27,VPE4 VPE7,VPX4,VPX7,VSB1,VSB3,VSD4,VSD7,VTE1,VTE2,VTE5,VVA2,VWT4,VXB7 VXE2,VXE6,VXE7,VXE8,VXFB,VXTB,VXT1,VX8 ED9 EDS,EDS3,ED8,ES1,ES3,ES4,EWS1,EWS3,EWS4,EWS5,HA,HAQ,HH,HJA,HX,LH LHC,LHE,LX,LXE,LXZ,PX,QA,QAE,QAQ,QE,QH,QHC,QHE,QNE,QNE9,QN18,QP QT,QX,QXB,QXC,QXE,QXEB,SE,SH,SHE,SN,SNC,SWE,SWX,SX,SXB,SXE,SXEB SXP,VA,VAA,VAAE,VDE1,VE,VH,VHE,VMX,VNG1,VNG2,VSD,VVA,VX,VXB,VXE VXE8,VXU,VXU1
			1	-	-	2161740	-----
			1	-	-	2164705	-----
20	95701-06012-00	BOLT, FLANGE, 6X12	-	-	1		
			2	-	-		----- EDD2,EDS,EDS1,EDS2,EDS3,EDS5,EDS6,EDS7,EDT1,EDT5,EDT6,ED6,ED9,EN6 ES1,ES3,ES4,ES5,EWS1,EWS3,EWS4,EWS5,HA,HAQ,HA2,HJA,HJA2,HX,LKE,LX LXE,LXE2,LXE4,LXE8,LXQ4,LXU,LXZ,LX2,PAE2,PA2,PX,PXE,PXE8,PXU,QA QAE,QAE2,QAE6,QAQ,QAW,QA2,QA26,QDW9,QKA2,QKA4,QKB2,QKE2,QK4,QME0 QME1,QMP,QND,QNE,QNE2,QNE6,QNE8,QNE9,QNR2,QNR6,QN18,QWA2,QWA4 QWC4,QWH2,QWT2,QX,QXB,QXB7,QXC,QXC4,QXC6,QXC9,QXE,QXEB,QXE2,QXE4 QXE6,QXE7,QXE8,QXQ4,QXQ7,QXS4,QXU,SCK4,SHW,SKA,SMD3,SMEO,SME6,SMX SM32,SNC,SNC9,SNT2,STC4,SWA4,SWX,SX,SXB,SXB7,SXC,SXE,SXEB,SXE4 SXE7,SXE8,SXK,SXK1,SXP,SXQ4,SXU,SX2,VA,VAA,VAAE,VAA1,VAC2,VAG2 VA2,VCN2,VC2,VDB2,VDE1,VDE2,VD2,VJE2,VJ2,VKB2,VK2,VMA2,VME2,VMT VMX,VM2,VNG1,VNG2,VN17,VN27,VPE4,VPE7,VPX4,VPX7,VSB1,VSB3,VSD VSD4,VSD7,VTE1,VTE2,VTE5,VVA,VVA2,VWT4,VX,VXB,VXB7,VXE,VXEB,VXE2 VXE4,VXE6,VXE7,VXE8,VXFB,VXQ4,VXTB,VXT1,VXU,VXU1,VX8
			-	(2)	2		
21	96100-62020-00	BEARING, RADIAL BALL, 6202 ..	1	1	1		
22	34150-ZH7-003	ALERT UNIT, OIL	1	(1)	-	2468555	----- EDD2,EDS1,EDS2,EDS7,EDT1,EDT5,ED6,EWS1,EWS3,EWS4,EWS5,HA2,HJA2 LX2,PA2,QA2,QDW9,QXC,QXC9,Q1,SHW,VAG2,VA2,VMA2,VM2,VVA2,V1 EDS6,EDT6,EN6,ES5,QAP,QAW,QK4,QWA2,QWA4,QWC4,QWT2,QXB7,QXQ7,QXS4 SXB7,SXC,VAA1,VAC2,VCN2,VDB2,VD2,VJ2,VN17,VPE7,VPX4,VPX7,VSD7 VXB7,VXT1 VPE4 QKB2 L1,QKE2,QNE6,S1
			1	-	1		-----
			1	(1)	-	2042139	-----
			1	(1)	-	2468555	-----
23	90013-883-000	BOLT, FLANGE, 6X12(CT200) ...	1	(1)	-		----- EDD2,EDS1,EDS2,EDS7,EDT1,EDT5,ED6,EWS1,EWS3,EWS4,EWS5,HA2,HJA2 LX2,PA2,QA2,QDW9,QXC,QXC9,Q1,SHW,VAG2,VA2,VMA2,VM2,VVA2,V1 EDS6,EDT6,EN6,ES5,QAP,QAW,QK4,QWA2,QWA4,QWC4,QWT2,QXB7,QXQ7,QXS4 SXB7,SXC,VAA1,VAC2,VCN2,VDB2,VD2,VJ2,VN17,VPE7,VPX4,VPX7,VSD7 VXB7,VXT1 VPE4 QKB2 L1,QKE2,QNE6,S1
			1	-	1		-----
			1	-	-	2643256	-----
			1	-	-	3007812	-----
			(1)	(1)	-	2042139	-----
			(1)	(1)	-	2468554	-----
24	90131-ZE3-790	PLUG, OIL DRAIN	1	-	-		----- ZK1
25	92800-12000	BOLT, DRAIN PLUG, 12MM	1	-	-		----- ZK1



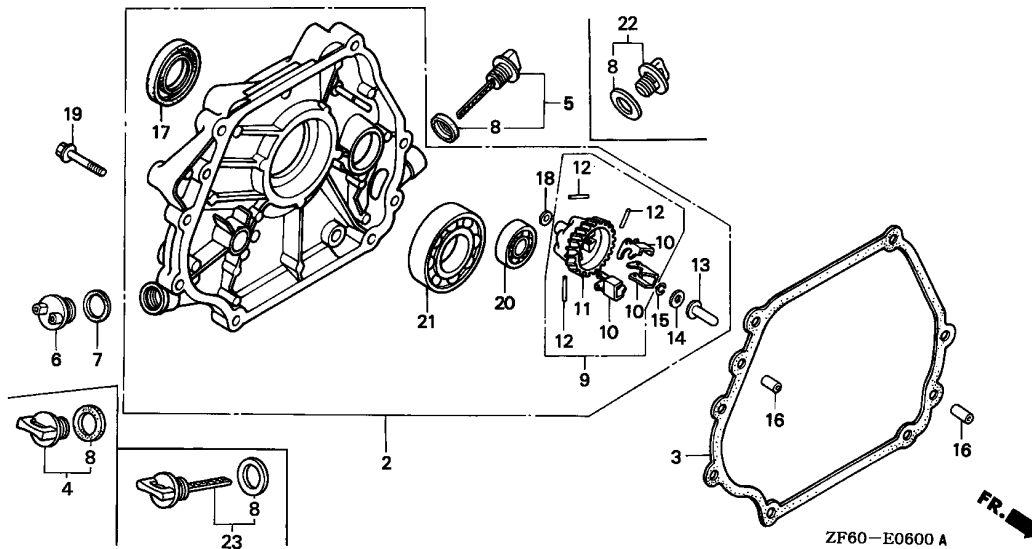


Service item	F.R.T.
COVER ASSY., CRANKCASE	0.2
.PACKING, CASE COVER	
BEARING, RADIAL BALL, 6202 ...	0.3
.BEARING, RADIAL BALL, 6207	
.OIL SEAL, 35X52X8	
SLIDER, GOVERNOR	0.4
HOLDER, GOVERNOR WEIGHT	0.9

Ref. No.	Part No.	Description	Reqd. QTY			Serial No.	Parts catalogue code
			(1)	(2)	(3)		
2	11300-ZE3-020	COVER ASSY., CRANKCASE	1	1	-	3287256	EDD2,EDS,EDS1,EDS2,EDS6,EDS7,EDT1,EDT5,EDT6,ED6,ED8,ED9,SCK4,SH SHB3,SHE,SHQ4,SHW,SJ,SJG,SKAE,SMC1,SMD3,SME0,SME1,SME6,SM11,SM32 SN,STC4,SWA4,SWE,SWX,SX,SXB,SXE,SXEB,SXE4,SXE8,SXK,SXQ4,SXU,S1
			1	-	-		EDS3,EDS5,SE,SHB1,SHEZ,SKA,SMX,SNT2,SX2,VTE2,YJ
	11300-ZE3-602	1	1	1	1003450	SXKP
			1	1	-	3287256	PXE,QA,QAE,QAP,QAQ,QHC,QH2,QKA2,QKE2,QME1,QMP,QNE,QN18,QP,QXE2,Q1 SNC9,SXP,VA,VAA,VAE,VDE1,VE,VH,VHE,VJE2,VJ2,VMX,VTE1,VWA,VXFB VXTB
			1	-	-	2402705	3287256 PAE2,PA2,PX,PXE8,PXU,QAE2,QAE6,QAW,QA2,QA26,QDW9,QE,QH,QHB3,QHE QHP1,QKA4,QKB2,QK4,QME0,QMH,QND,QNE2,QNE6,QNE8,QNE9,QNK,QNR2,QNR6 QT,QWA2,QWA4,QWC4,QWH2,QWT2,QX,QXB,QXC,QXC4,QXC6,QXC9,QXE,QXEB QXE4,QXE6,QXE8,QXQ4,QXU,SNC,VAA1,VAC2,VAG2,VA2,VCN2,VC2,VDB2,VDE2 VD2,VKB2,VK2,VMA2,VME2,VM2,VNG1,VNG2,VN17,VN27,VPE4,VPE7,VPX4 VPX7,VSD,VSD4,VTE5,VWA2,VWT4,VX,VXB,VXE,VXEB,VXE2,VXE4,VXE6,VXE8 VXQ4,VXT1,VXU,VXU1,VX8,V1
			1	-	-	1003450	VSB1,VSB3
			-	-	1		VAP,VXP,VXQP
	11300-ZE3-030	1	-	-		EN6,SXB7,SXC,SXE7,SXK1
	11300-ZE3-603	1	-	-		QXB7,QXE7,QXQ7,QXS4,VSD7,VXB7,VXE7
	11300-ZE3-040	1	1	-	3287257	EDD2,EDS,EDS1,EDS2,EDS6,EDS7,EDT1,EDT5,EDT6,ED6,ED8,ED9,SCK4,SH SHB3,SHE,SHQ4,SHW,SJ,SJG,SKAE,SMC1,SMD3,SME0,SME1,SME6,SM11,SM32 SN,STC4,SWA4,SWE,SWX,SX,SXB,SXE,SXEB,SXE4,SXE8,SXK,SXQ4,SXU,S1
			-	-	1	1003451	SXKP

Ref. No.	Part No.	Description	Reqd. QTY			Serial No.	Parts catalogue code	
			GX390K1	(1)	(2)			(3)
(2)	11300-ZE3-604	COVER ASSY., CRANKCASE	1	1	-	3287257	----- PAE2, PA2, PX, PXE8, PXU, QAE2, QAE6, QAW, QA2, QA26, QDW9, QE, QH, QHB3, QHE QHP1, QKA4, QKB2, QK4, QMEO, QMH, QND, QNE2, QNE6, QNE8, QNE9, QNK, QNR2, QNR6 QT, QWA2, QWA4, QWC4, QWH2, QWT2, QX, QXB, QXC, QXC4, QXC6, QXC9, QXE, QXEB QXE4, QXE6, QXE8, QXQ4, QXU, SNC, VAA1, VAC2, VAG2, VA2, VCN2, VC2, VDB2, VDE2 VD2, VKB2, VK2, VMA2, VME2, VM2, VNG1, VNG2, VN17, VN27, VPE4, VPE7, VPX4 VPX7, VSB1, VSB3, VSD, VSD4, VTE5, VWA2, VWT4, VX, VXB, VXE, VXEB, VXE2, VXE4 VXE6, VXE8, VXQ4, VXT1, VXU, VXU1, VX8, V1	
			-	-	1	1003451	----- VAP, VXP, VXQP	
3	11381-ZE3-000	PACKING, CASE COVER	1	(1)	-	-----	Q1, SHEZ, V1	
			1	(1)	-	2056148	----- QT, SJ, SWE, SWX, S1, YJ	
	11381-ZE3-800	1	1	-	2056149	----- S1, YJ	
			1	(1)	-	-----	EDS3, EDS5, PXE, QA, QAE, QAQ, QHC, QH2, QKA2, QKE2, QNE, QN18, QP, QXE2, Q1, SE SKA, SMX, SNC9, SNT2, SXP, SX2, VA, VAAE, VDE1, VE, VH, VHE, VMX, VTE2, VWA, V1	
			1	-	-	2949254	----- EDD2, EDS, EDS1, EDS2, EDS7, EDT1, EDT5, ED6, ED8, ED9, PAE2, PA2, PX, PXE8 PXU, QAE2, QAE6, QA2, QA26, QDW9, QE, QH, QHB3, QHE, QHP1, QKA4, QKB2, QK4 QMEO, QME1, QMH, QMP, QND, QNE2, QNE6, QNE8, QNE9, QNK, QNR2, QNR6, QWA2, QWA4 QWC4, QX, QXB, QXC, QXC4, QXC6, QXC9, QXE, QXEB, QXE4, QXE6, QXE8, QXQ4, QXU SCK4, SH, SHB1, SHB3, SHE, SHQ4, SHW, SJG, SKAE, SMC1, SMD3, SME0, SME1, SME6 SM11, SM32, SN, SNC, STC4, SWA4, SX, SXB, SXE, SXEB, SXE4, SXE8, SXK, SXQ4, SXU VAA, VAA1, VAG2, VA2, VDE2, VD2, VJE2, VJ2, VKB2, VMA2, VME2, VM2, VNG1, VNG2 VPE4, VPX4, VSD, VSD4, VTE1, VTE5, VWA2, VWT4, VX, VXB, VXE, VXEB, VXE2, VXE4 VXE6, VXE8, VXFB, VXQ4, VXTB, VXT1, VXU, VXU1, VX8	
			1	-	-	2056149	2949254	----- QT, SJ, SWE, SWX
			-	-	1	-----	1002966	----- QAP, SXKP
11381-ZE3-801	1	-	1	-----	EDS6, EDT6, EN6, QAW, QWH2, QWT2, QXB7, QXE7, QXQ7, QXS4, SXB7, SXC, SXE7 SXK1, VAC2, VAP, VCN2, VC2, VDB2, VK2, VN17, VN27, VPE7, VPX7, VSD7, VXB7 VXE7, VXP, VXQP	
			1	-	-	2402705	----- VSB1, VSB3	
			1	-	-	2949255	----- EDD2, EDS, EDS1, EDS2, EDS7, EDT1, EDT5, ED6, ED8, ED9, PAE2, PA2, PX, PXE8 PXU, QAE2, QAE6, QAW, QA2, QA26, QDW9, QE, QH, QHB3, QHE, QHP1, QKA4, QKB2, QK4 QMEO, QME1, QMH, QMP, QND, QNE2, QNE6, QNE8, QNE9, QNK, QNR2, QNR6, QT, QWA2 QWA4, QWC4, QX, QXB, QXC, QXC4, QXC6, QXC9, QXE, QXEB, QXE4, QXE6, QXE8, QXQ4 QXU, SCK4, SH, SHB1, SHB3, SHE, SHQ4, SHW, SJ, SJG, SKAE, SMC1, SMD3, SME0 SME1, SME6, SM11, SM32, SN, SNC, STC4, SWA4, SWE, SWX, SX, SXB, SXE, SXEB, SXE4 SXE8, SXK, SXQ4, SXU, VAA, VAA1, VAG2, VA2, VDE2, VD2, VJE2, VJ2, VKB2, VMA2 VME2, VM2, VNG1, VNG2, VPE4, VPX4, VSD, VSD4, VTE1, VTE5, VWA2, VWT4, VX, VXB VXE, VXEB, VXE2, VXE4, VXE6, VXE8, VXFB, VXQ4, VXTB, VXT1, VXU, VXU1, VX8	
			-	-	1	1002967	----- QAP, SXKP	
4	15600-ZG4-003	CAP ASSY., OIL FILLER	1	1	-	2090081	----- EDS, EDS1, EDT1, ED6, ED8, PX, QA, QAE, QAQ, QE, QH, QHC, QHE, QNE, QNE9, QP, QT QX, QXB, QXC, QXE, QXEB, Q1, SE, SH, SHE, SJ, SN, SNC, SWE, SWX, SX, SXB, SXE SXEB, SXP, S1, VA, VAA, VAAE, VDE1, VE, VH, VHE, VNG1, VNG2, VSD, VWA, VX, VXB VXE, VXEB, V1, YJ	
			1	-	-	-----	EDD2, EDS2, EDS3, EDS5, EDS6, EDS7, EDT5, EDT6, ED9, EN6, PAE2, PA2, PXE, PXE8 PXU, QAE2, QAE6, QAW, QA2, QA26, QDW9, QHB3, QHP1, QH2, QKA2, QKA4, QKB2, QKE2 QK4, QMEO, QME1, QMH, QMP, QND, QNE2, QNE6, QNE8, QNK, QNR2, QNR6, QN18, QWA2 QWA4, QWC4, QWH2, QWT2, QXB7, QXC4, QXC6, QXC9, QXE2, QXE4, QXE6, QXE7, QXE8 QXQ4, QXQ7, QXS4, QXU, SCK4, SHB1, SHB3, SHQ4, SJG, SKA, SKAE, SMC1, SMD3 SME0, SME1, SME6, SMX, SM11, SM32, SNC9, SNT2, STC4, SWA4, SXB7, SXC, SXE4 SXE7, SXE8, SXK, SXK1, SXQ4, SXU, SX2, VAA1, VAC2, VAG2, VA2, VCN2, VC2, VDB2 VDE2, VD2, VJE2, VJ2, VKB2, VK2, VMA2, VME2, VMX, VM2, VN17, VN27, VPE4, VPE7 VPX4, VPX7, VSD4, VSD7, VTE1, VTE2, VTE5, VWA2, VWT4, VXB7, VXE2, VXE4, VXE6 VXE7, VXE8, VXFB, VXQ4, VXTB, VXT1, VXU, VXU1, VX8	
			1	-	-	2402705	----- VSB1, VSB3	
			-	-	1	-----		

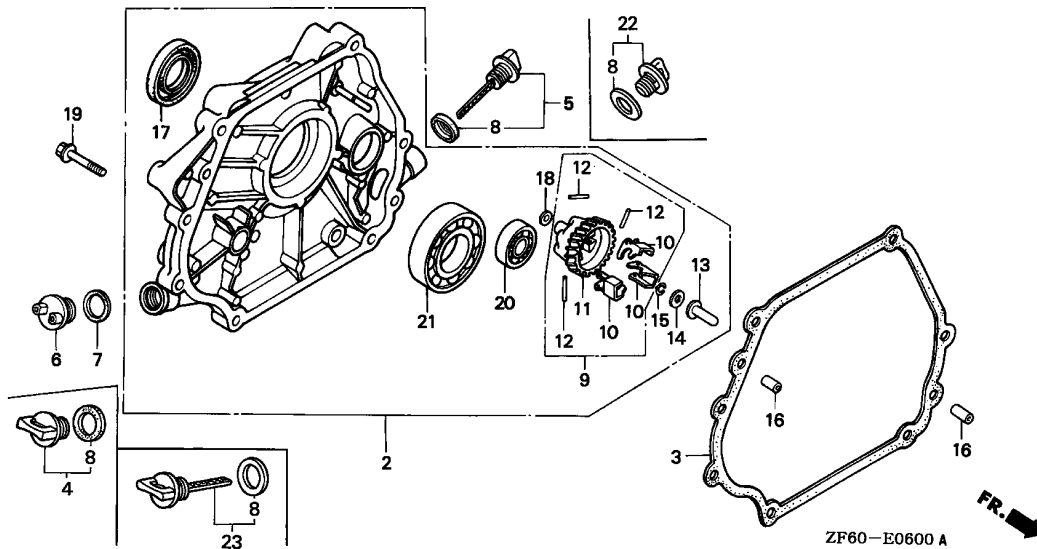




Ref. No.	Part No.	Description	Reqd. QTY			Serial No.	Parts catalogue code
			(1)	(2)	(3)		
5	15600-735-700	CAP ASSY., OIL FILLER	1	1	-	2090080	EDS,EDS1,EDT1,ED6,ED8,PX,QA,QAE,QAQ,QE,QH,QHC,QHE,QNE,QNE9,QP,QT,QX,QXB,QXC,QXE,QXEB,Q1,SE,SH,SHE,SJ,SN,SNC,SWE,SWX,SX, SXB, SXE, SXEB, SXP, S1, VA, VAA, VAAE, VDE1, VE, VH, VHE, VNG1, VNG2, VSD, VWA, VX, VXB, VXE, VXEB, V1, YJ
	15600-735-003	1	1	-	2090081	SHEZ EDS,EDS1,EDT1,ED8,PX,QA,QAE,QAQ,QE,QH,QHC,QHE,QNE,QNE9,QP,QT,QX,QXB,QXC,QXE,QXEB,Q1,SE,SH,SHE,SJ,SN,SNC,SWE,SWX,SX, SXB, SXE, SXEB, SXP, S1, VA, VAA, VAAE, VDE1, VE, VH, VHE, VNG1, VNG2, VSD, VWA, VX, VXB, VXE, VXEB, V1, YJ
			1	-	-		EDD2,EDS2,EDS3,EDS5,EDS6,EDS7,EDT5,EDT6,ED6,ED9,EN6,PAE2,PA2,PXE,PXE8,PXU,QA2,QA6,QAW,QA2,QA26,QDW9,QHB3,QHP1,QH2,QKA2,QKA4,QKB2,QKE2,QK4,QMED,QME1,QMH,QMP,QND,QNE2,QNE6,QNE8,QNK,QNR2,QNR6,QN18,QWA2,QWA4,QWC4,QWH2,QWT2,QXB7,QXC4,QXC6,QXC9,QXE2,QXE4,QXE6,QXE7,QXE8,QXQ4,QXQ7,QXS4,QXU,SCK4,SHB1,SHB3,SHQ4,SJG,SKA,SKAE,SMC1,SMD3,SMED,SME1,SME6,SMX,SM11,SM32,SNC9,SNT2,STC4,SWA4,SXB7,SXC,SXE4,SXE7,SXE8,SXK,SXK1,SXQ4,SXU,SX2,VAA1,VAC2,VAG2,VA2,VCN2,VC2,VDB2,VDE2,VD2,VJE2,VJ2,VKB2,VK2,VMA2,VME2,VMX,VM2,VN17,VN27,VPE4,VPE7,VPX4,VPX7,VSD7,VTE1,VTE2,VTE5,VWA2,VWT4,VXB7,VXE2,VXE4,VXE6,VXE7,VXE8,VXFB,VXQ4,VXTB,VXT1,VXU,VXU1,VX8
			1	-	-	2402705	VS1,VS3
			-	-	1		
6	15620-ZG4-910	CAP, OIL FILLER	1	1	-	2090080	EDS,EDS1,EDT1,ED6,ED8,PX,QA,QAE,QAQ,QE,QH,QHC,QHE,QNE,QNE9,QP,QT,QX,QXB,QXC,QXE,QXEB,Q1,SE,SH,SHE,SJ,SN,SNC,SWE,SWX,SX, SXB, SXE, SXEB, SXP, S1, VA, VAA, VAAE, VDE1, VE, VH, VHE, VNG1, VNG2, VSD, VWA, VX, VXB, VXE, VXEB, V1, YJ
			1	-	-		SHEZ

Ref. No.	Part No.	Description	Reqd. QTY			Serial No.	Parts catalogue code
			GX390K1 (1)	(2)	(3)		
7	15621-896-010	PACKING, OIL FILLER CAP	1	1	-	2090080	EDS,EDS1,EDT1,ED6,ED8,PX,QA,QAQ,QAQ,QAQ,QE,QH,QHC,QHE,QNE,QNE9,QP,QT,QX,QXB,QXC,QXE,QXEB,Q1,SE,SH,SHE,SJ,SN,SNC,SWE,SWX,SX,SXB,SXE,SXEB,SXP,S1,VA,VAA,VAAE,VDE1,VE,VH,VHE,VNG1,VNG2,VSD,VVA,VX,VXB,VXE,VXEB,V1,YJ
			1	-	-	-----	SHEZ
8	15625-ZE1-000	PACKING, OIL FILLER CAP	1	1	-	2090080	EDS,EDS1,EDT1,ED6,ED8,PX,QA,QAQ,QAQ,QAQ,QE,QH,QHC,QHE,QNE,QNE9,QP,QT,QX,QXB,QXC,QXE,QXEB,Q1,SE,SH,SHE,SJ,SN,SNC,SWE,SWX,SX,SXB,SXE,SXEB,SXP,S1,VA,VAA,VAAE,VDE1,VE,VH,VHE,VNG1,VNG2,VSD,VVA,VX,VXB,VXE,VXEB,V1,YJ
	15625-ZE1-003	1	-	-	-----	SHEZ
			1	-	-	-----	QN18
			1	-	-	2090081	QA,QAQ,QNE,QXC,VA,VDE1,VVA,VXE
			2	2	-	2090081	EDS,EDS1,EDT1,ED6,ED8,PX,QAQ,QAQ,QAQ,QE,QH,QHC,QHE,QNE9,QP,QT,QX,QXB,QXE,QXEB,Q1,SE,SH,SHE,SJ,SN,SNC,SWE,SWX,SX,SXB,SXE,SXEB,SXP,S1,VAA,VAAE,VE,VH,VHE,VNG1,VNG2,VSD,VX,VXB,VXEB,V1,YJ
			2	-	-	-----	EDD2,EDS2,EDS3,EDS5,EDS6,EDS7,EDT5,EDT6,ED9,EN6,PAE2,PA2,PXE,PXE8,PXU,QAQ2,QAQ6,QAQ,QA2,QA26,QDW9,QHB3,QHP1,QH2,QKA2,QKA4,QKB2,QKE2,QK4,QME0,QME1,QMH,QMP,QND,QNE2,QNE6,QNE8,QNK,QNR2,QNR6,QWA2,QWA4,QWC4,QWH2,QWT2,QXB7,QXC4,QXC6,QXC9,QXE2,QXE4,QXE6,QXE7,QXE8,QXQ4,QXQ7,QXS4,QXU,SCK4,SHB1,SHB3,SHQ4,SHW,SJG,SKA,SKAE,SMC1,SMD3,SME0,SME1,SME6,SMX,SM11,SM32,SNC9,SNT2,STC4,SWA4,SXB7,SXC,SXE4,SXE7,SXE8,SXK,SXK1,SXQ4,SXU,SX2,VAA1,VAC2,VAG2,VA2,VCN2,VC2,VDB2,VDE2,VD2,VJE2,VJ2,VKB2,VK2,VMA2,VME2,VMX,VM2,VN17,VN27,VPE4,VPE7,VPX4,VPX7,VSD4,VSD7,VTE1,VTE2,VTE5,VVA2,VWT4,VXB7,VXE2,VXE4,VXE6,VXE7,VXE8,VXFB,VXQ4,VXTB,VXT1,VXU,VXU1,VX8
			2	-	-	2402705	VSB1,VSB3
			-	-	2	-----	
9	16510-ZE3-000	GOVERNOR ASSY.	1	1	-	-----	EDD2,EDS,EDS1,EDS2,EDS3,EDS5,EDS6,EDS7,EDT1,EDT5,EDT6,ED6,ED8,ED9,EN6,PAE2,PA2,PX,PXE,PXE8,PXU,QA,QAQ,QAQ2,QAQ6,QAQ,QA2,QA26,QDW9,QE,QH,QHB3,QHC,QHE,QHP1,QH2,QKA2,QKA4,QKB2,QKE2,QK4,QME0,QME1,QMH,QMP,QND,QNE,QNE2,QNE6,QNE8,QNE9,QNK,QNR2,QNR6,QN18,QP,QT,QWA2,QWA4,QWC4,QWH2,QWT2,QX,QXB,QXB7,QXC,QXC4,QXC6,QXC9,QXE,QXEB,QXE2,QXE4,QXE6,QXE7,QXE8,QXQ4,QXQ7,QXS4,QXU,Q1,SCK4,SE,SH,SHB1,SHB3,SHE,SHEZ,SHQ4,SHW,SJ,SJG,SKA,SKAE,SMC1,SMD3,SME0,SME1,SME6,SMX,SM11,SM32,SN,SNC,SNC9,SNT2,STC4,SWA4,SWE,SWX,SX,SXB,SXB7,SXC,SXE,SXEB,SXE4,SXE7,SXE8,SXK,SXK1,SXP,SXQ4,SXU,SX2,S1,VA,VAA,VAAE,VAA1,VAC2,VAG2,VA2,VCN2,VC2,VDB2,VDE1,VDE2,VD2,VE,VH,VHE,VJE2,VJ2,VKB2,VK2,VMA2,VME2,VMX,VM2,VNG1,VNG2,VN17,VN27,VPE4,VPE7,VPX4,VPX7,VSD,VSD4,VSD7,VTE1,VTE2,VTE5,VVA,VVA2,VWT4,VX,VXB,VXB7,VXE,VXEB,VXE2,VXE4,VXE6,VXE7,VXE8,VXFB,VXQ4,VXTB,VXT1,VXU,VXU1,VX8,V1,YJ
			1	-	-	2402705	VSB1,VSB3
			-	-	1	-----	



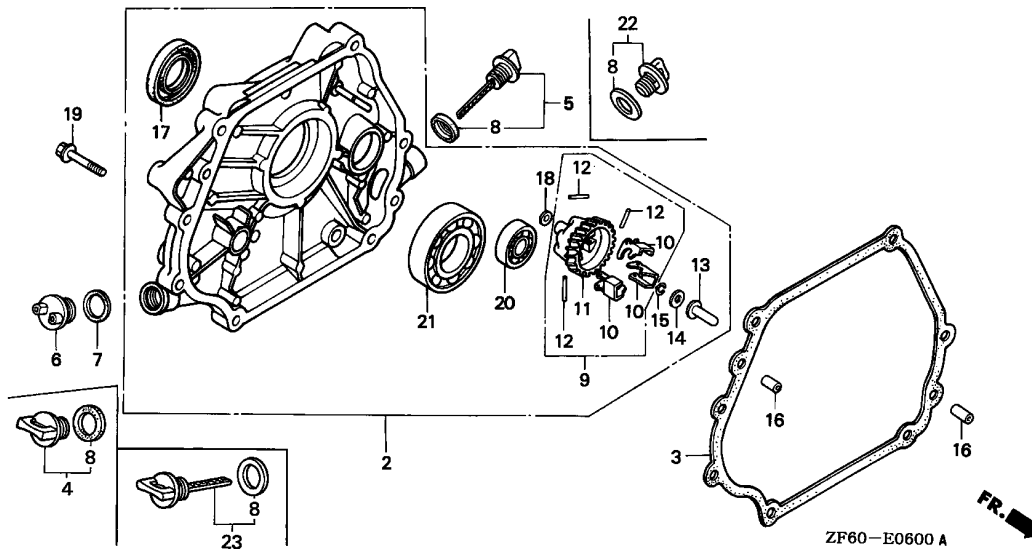


2

Ref. No.	Part No.	Description	Reqd. QTY			Serial No.	Parts catalogue code
			(1)	(2)	(3)		
10	16511-ZE8-000	WEIGHT, GOVERNOR	3	3	-	-----	EDD2,EDS,EDS1,EDS2,EDS3,EDS5,EDS6,EDS7,EDT1,EDT5,EDT6,ED6,ED8,ED9 EN6,PAE2,PA2,PX,PXE,PXE8,PXU,QA,QAE,QAE2,QAE6,QAQ,QAW,QA2,QA26 QDW9,QE,QH,QHB3,QHC,QHE,QHP1,QH2,QKA2,QKA4,QKB2,QKE2,QK4,QMEO QME1,QMH,QMP,QND,QNE,QNE2,QNE6,QNE8,QNE9,QNK,QNR2,QNR6,QN18,QP,QT QWA2,QWA4,QWC4,QWH2,QWT2,QX,QXB,QXB7,QXC,QXC4,QXC6,QXC9,QXE,QXEB QXE2,QXE4,QXE6,QXE7,QXE8,QXQ4,QXQ7,QXS4,QXU,Q1,SCK4,SE,SH,SHB1 SHB3,SHE,SHEZ,SHQ4,SHW,SJ,SJG,SKA,SKAE,SMC1,SMD3,SME0,SME1,SME6 SMX,SM11,SM32,SN,SNC,SNC9,SNT2,STC4,SWA4,SWE,SWX,SX,SXB,SXB7,SXC SXE,SXEB,SXE4,SXE7,SXE8,SXK,SXK1,SXP,SXQ4,SXU,SX2,S1,VA,VAA,VAE VAA1,VAC2,VAG2,VA2,VCN2,VC2,VDB2,VDE1,VDE2,VD2,VE,VH,VHE,VJE2,VJ2 VKB2,VK2,VMA2,VME2,VMX,VM2,VNG1,VNG2,VN17,VN27,VPE4,VPE7,VPX4 VPX7,VSD,VSD4,VSD7,VTE1,VTE2,VTE5,VWA,VWA2,VWT4,VX,VXB,VXB7,VXE VXEB,VXE2,VXE4,VXE6,VXE7,VXE8,VXFB,VXQ4,VXTB,VXT1,VXU,VXU1,VX8,V1 YJ
			3	-	-	2402705	----- VSB1,VSB3
			-	-	3		

Ref. No.	Part No.	Description	Reqd. QTY			Serial No.	Parts catalogue code	
			GX390K1 (1)	(2)	(3)			
11	16512-ZE3-000	HOLDER, GOVERNOR WEIGHT	1	1	-	-----	EDD2,EDS,EDS1,EDS2,EDS3,EDS5,EDS6,EDS7,EDT1,EDT5,EDT6,ED6,ED8,ED9 EN6,PAE2,PA2,PX,PXE,PXE8,PXU,QA,QA2,QA26,QAW,QA2,QA26 QDW9,QE,QH,QHB3,QHC,QHE,QHP1,QH2,QKA2,QKA4,QKB2,QKE2,QK4,QME0 QME1,QMH,QMP,QND,QNE,QNE2,QNE6,QNE8,QNE9,QNK,QNR2,QNR6,QN18,QP,QT QWA2,QWA4,QWC4,QWH2,QWT2,QX,QXB,QXB7,QXC,QXC4,QXC6,QXC9,QXE,QXEB QXE2,QXE4,QXE6,QXE7,QXE8,QXQ4,QXQ7,QXS4,QXU,Q1,SCK4,SE,SH,SHB1 SHB3,SHE,SHEZ,SHQ4,SHW,SJ,SJG,SKA,SKAE,SMC1,SMD3,SME0,SME1,SME6 SMX,SM11,SM32,SN,SNC,SNC9,SNT2,STC4,SWA4,SWE,SWX,SX,SBX,SBX7,SXC SXE,SXEB,SXE4,SXE7,SXE8,SXK,SXK1,SXP,SXQ4,SXU,SX2,S1,VA,VAE,VAE VAA1,VAC2,VAG2,VA2,VCN2,VC2,VDB2,VDE1,VDE2,VD2,VE,VH,VHE,VJ2,VJ2 VKB2,VK2,VMA2,VME2,VMX,VM2,VNG1,VNG2,VN17,VN27,VPE4,VPE7,VPX4 VPX7,VSD,VSD4,VSD7,VTE1,VTE2,VTE5,VWA,VWA2,VWT4,VX,VXB,VXB7,VXE VXEB,VXE2,VXE4,VXE6,VXE7,VXE8,VXFB,VXQ4,VXTB,VXT1,VXU,VXU1,VX8,V1 YJ	
			1	-	-	2402705	-----	VSB1,VSB3
12	16513-ZE2-000	PIN, GOVERNOR WEIGHT	3	3	-	-----	EDD2,EDS,EDS1,EDS2,EDS3,EDS5,EDS6,EDS7,EDT1,EDT5,EDT6,ED6,ED8,ED9 EN6,PAE2,PA2,PX,PXE,PXE8,PXU,QA,QA2,QA26,QAW,QA2,QA26 QDW9,QE,QH,QHB3,QHC,QHE,QHP1,QH2,QKA2,QKA4,QKB2,QKE2,QK4,QME0 QME1,QMH,QMP,QND,QNE,QNE2,QNE6,QNE8,QNE9,QNK,QNR2,QNR6,QN18,QP,QT QWA2,QWA4,QWC4,QWH2,QWT2,QX,QXB,QXB7,QXC,QXC4,QXC6,QXC9,QXE,QXEB QXE2,QXE4,QXE6,QXE7,QXE8,QXQ4,QXQ7,QXS4,QXU,Q1,SCK4,SE,SH,SHB1 SHB3,SHE,SHEZ,SHQ4,SHW,SJ,SJG,SKA,SKAE,SMC1,SMD3,SME0,SME1,SME6 SMX,SM11,SM32,SN,SNC,SNC9,SNT2,STC4,SWA4,SWE,SWX,SX,SBX,SBX7,SXC SXE,SXEB,SXE4,SXE7,SXE8,SXK,SXK1,SXP,SXQ4,SXU,SX2,S1,VA,VAE,VAE VAA1,VAC2,VAG2,VA2,VCN2,VC2,VDB2,VDE1,VDE2,VD2,VE,VH,VHE,VJ2,VJ2 VKB2,VK2,VMA2,VME2,VMX,VM2,VNG1,VNG2,VN17,VN27,VPE4,VPE7,VPX4 VPX7,VSD,VSD4,VSD7,VTE1,VTE2,VTE5,VWA,VWA2,VWT4,VX,VXB,VXB7,VXE VXEB,VXE2,VXE4,VXE6,VXE7,VXE8,VXFB,VXQ4,VXTB,VXT1,VXU,VXU1,VX8,V1 YJ	
			3	-	-	2402705	-----	VSB1,VSB3
			-	-	3			
13	16531-ZE2-000	SLIDER, GOVERNOR	1	1	-	-----	3287256	EDD2,EDS,EDS1,EDS2,EDS6,EDS7,EDT1,EDT5,EDT6,ED6,ED8,ED9,PAE2,PA2 PX,PXE8,PXU,QA2,QA26,QAW,QA2,QA26,QDW9,QE,QH,QHB3,QHE,QHP1,QKA4 QKB2,QK4,QME0,QMH,QND,QNE2,QNE6,QNE8,QNE9,QNK,QNR2,QNR6,QT,QWA2 QWA4,QWC4,QWH2,QWT2,QX,QXB,QXC,QXC4,QXC6,QXC9,QXE,QXEB,QXE4,QXE6 QXE8,QXQ4,QXU,SCK4,SH,SHB3,SHE,SHQ4,SHW,SJ,SJG,SKAE,SMC1,SMD3 SME0,SME1,SME6,SM11,SM32,SN,SNC,STC4,SWA4,SWE,SWX,SX,SBX,SXE,SXEB SXE4,SXE8,SXK,SXQ4,SXU,S1,VAA1,VAC2,VAG2,VA2,VCN2,VC2,VDB2,VDE2 VD2,VKB2,VK2,VMA2,VME2,VM2,VNG1,VNG2,VN17,VN27,VPE4,VPE7,VPX4 VPX7,VSD,VSD4,VTE5,VWA2,VWT4,VX,VXB,VXE,VXEB,VXE2,VXE4,VXE6,VXE8 VXQ4,VXT1,VXU,VXU1,VX8,V1
			1	-	-	2402705	3287256	VSB1,VSB3
			-	-	1	-----	1003450	SXKP,VAP,VXP,VXQP

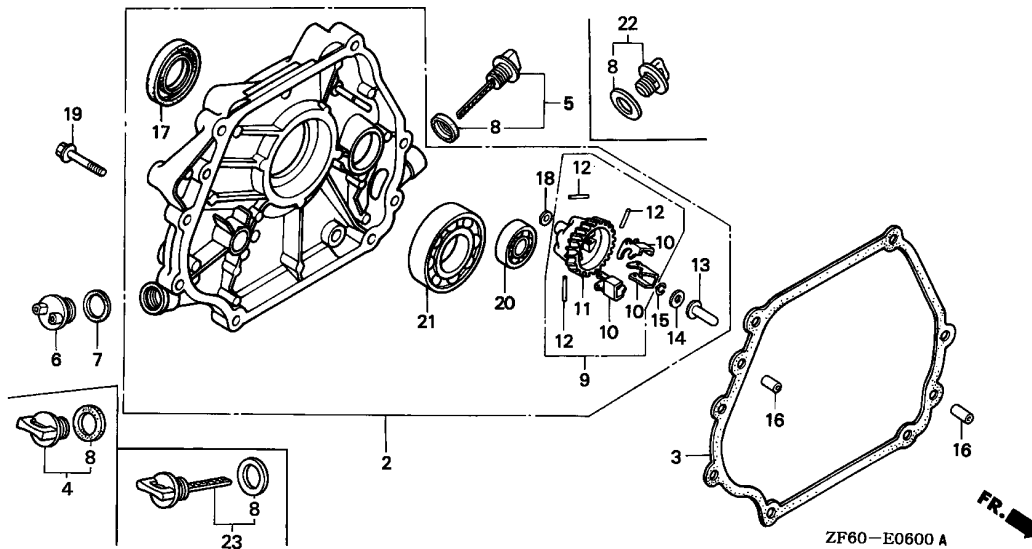




Ref. No.	Part No.	Description	Reqd. QTY			Serial No.	Parts catalogue code	
			(1)	(2)	(3)			
13)	16531-Z0A-000	SLIDER, GOVERNOR	1	1	1	-----	EDS3,EDS5,EN6,PXE,QA,QAE,QAP,QAQ,QHC,QH2,QKA2,QKE2,QME1,QMP,QNE QN18,QP,QXB7,QXE2,QXE7,QXQ7,QXS4,Q1,SE,SHB1,SHEZ,SKA,SMX,SNC9 SNT2,SXB7,SXC,SXE7,SXK1,SXP,SX2,VA,VAA,VAAE,VDE1,VE,VH,VHE,VJE2 VJ2,VMX,VSD7,VTE1,VTE2,VWA,VXB7,VXE7,VXFB,VXTB,YJ	
			1	1	-	3287257	-----	EDD2,EDS,EDS1,EDS2,EDS6,EDS7,EDT1,EDT5,EDT6,ED6,ED8,ED9,PAE2,PA2 PX,PXE8,PXU,QAE2,QAE6,QAW,QA2,QA26,QDW9,QE,QH,QHB3,QHE,QHP1,QKA4 QKB2,QK4,QME0,QMH,QND,QNE2,QNE6,QNE8,QNE9,QNK,QNR2,QNR6,QT,QWA2 QWA4,QWC4,QWH2,QWT2,QX,QXB,QXC,QXC4,QXC6,QXC9,QXE,QXEB,QXE4,QXE6 QXE8,QXQ4,QXU,SCK4,SH,SHB3,SHE,SHQ4,SHW,SJ,SJG,SKAE,SMC1,SMD3 SME0,SME1,SME6,SM11,SM32,SN,SNC,STC4,SWA4,SWE,SWX,SX,SXB,SXE,SXEB SXE4,SXE8,SXK,SXQ4,SXU,S1,VAA1,VAC2,VAG2,VA2,VCN2,VC2,VDB2,VDE2 VD2,VKB2,VK2,VMA2,VME2,VM2,VNG1,VNG2,VN17,VN27,VPE4,VPE7,VPX4 VPX7,VSB1,VSB3,VSD,VSD4,VTE5,VMA2,VWT4,VX,VXB,VXE,VXEB,VXE2,VXE4 VXE6,VXE8,VXQ4,VXT1,VXU,VXU1,VX8,V1
			-	-	1	1003451	-----	SXKP,VAP,VXP,VXQP
14	90473-147-000	WASHER, 6X16	1	1	-	2080006	-----	EDS,ED6,ED8,PX,QA,QAE,QE,QH,QHC,QHE,QNE,QP,QT,QX,QXB,QXC,QXE,QXEB SE,SH,SHE,SN,SNC,SWE,SWX,SX,SXB,SXE,SXEB,SXP,S1,VA,VAA,VAAE,VE,VH VHE,VNG1,VNG2,VSD,VWA,VX,VXB,VXE,VXEB
			1	1	-	2081121	-----	EDS1,EDT1,Q1,SJ,V1,YJ
			1	-	-	-----	-----	SHEZ,VDE1
			1	-	-	2123631	-----	QAQ,QNE9
			1	-	-	-----	-----	EN6,QXB7,QXE7,QXQ7,QXS4,SXB7,SXC,SXE7,VSD7,VXB7,VXE7

Ref. No.	Part No.	Description	Reqd. QTY			Serial No.	Parts catalogue code
			(1)	(2)	(3)		
15	90602-ZE1-000	CLIP, GOVERNOR HOLDER	1	1	-	-----	EDD2,EDS,EDS1,EDS2,EDS3,EDS5,EDS6,EDS7,EDT1,EDT5,EDT6,ED6,ED8,ED9 EN6,PAE2,PA2,PX,PXE,PXE8,PXU,QA,QAE,QAE2,QAE6,QAQ,QAW,QA2,QA26 QDW9,QE,QH,QHB3,QHC,QHE,QHP1,QH2,QKA2,QKA4,QKB2,QKE2,QK4,QME0 QME1,QMH,QMP,QND,QNE,QNE2,QNE6,QNE8,QNE9,QNK,QNR2,QNR6,QN18,QP,QT QWA2,QWA4,QWC4,QWH2,QWT2,QX,QXB,QXB7,QXC,QXC4,QXC6,QXC9,QXE,QXEB QXE2,QXE4,QXE6,QXE7,QXE8,QXQ4,QXQ7,QXS4,QXU,Q1,SCK4,SE,SH,SHB1 SHB3,SHE,SHEZ,SHQ4,SHW,SJ,SJG,SKA,SKAE,SMC1,SMD3,SME0,SME1,SME6 SMX,SM11,SM32,SN,SNC,SNC9,SNT2,STC4,SWA4,SWE,SWX,SX,AXB,SXB7,SXC SXE,SXEB,SXE4,SXE7,SXE8,SXK,SXK1,SXP,SXQ4,SXU,SX2,S1,VA,VAE,VAE VAA1,VAC2,VAG2,VA2,VCN2,VC2,VDB2,VDE1,VDE2,VD2,VE,VH,VHE,VJE2,VJ2 VKB2,VK2,VMA2,VME2,VMX,VM2,VNG1,VNG2,VN17,VN27,VPE4,VPE7,VPX4 VPX7,VSD,VSD4,VSD7,VTE1,VTE2,VTE5,VWA,VWA2,VWT4,VX,VXB,VXB7,VXE VXEB,VXE2,VXE4,VXE6,VXE7,VXE8,VXFB,VXQ4,VXTB,VXT1,VXU,VXU1,VX8,V1 YJ 2402705 ----- VSB1,VSB3
			1	-	-	-----	
			-	-	1		
16	90701-HC4-000	DOWEL PIN, 8X12	2	2	-	-----	EDD2,EDS,EDS1,EDS2,EDS3,EDS5,EDS6,EDS7,EDT1,EDT5,EDT6,ED6,ED8,ED9 EN6,PAE2,PA2,PX,PXE,PXE8,PXU,QA,QAE,QAE2,QAE6,QAQ,QAW,QA2,QA26 QDW9,QE,QH,QHB3,QHC,QHE,QHP1,QH2,QKA2,QKA4,QKB2,QKE2,QK4,QME0 QME1,QMH,QMP,QND,QNE,QNE2,QNE6,QNE8,QNE9,QNK,QNR2,QNR6,QN18,QP,QT QWA2,QWA4,QWC4,QWH2,QWT2,QX,QXB,QXB7,QXC,QXC4,QXC6,QXC9,QXE,QXEB QXE2,QXE4,QXE6,QXE7,QXE8,QXQ4,QXQ7,QXS4,QXU,Q1,SCK4,SE,SH,SHB1 SHB3,SHE,SHEZ,SHQ4,SHW,SJ,SJG,SKA,SKAE,SMC1,SMD3,SME0,SME1,SME6 SMX,SM11,SM32,SN,SNC,SNC9,SNT2,STC4,SWA4,SWE,SWX,SX,AXB,SXB7,SXC SXE,SXEB,SXE4,SXE7,SXE8,SXK,SXK1,SXP,SXQ4,SXU,SX2,S1,VA,VAE,VAE VAA1,VAC2,VAG2,VA2,VCN2,VC2,VDB2,VDE1,VDE2,VD2,VE,VH,VHE,VJE2,VJ2 VKB2,VK2,VMA2,VME2,VMX,VM2,VNG1,VNG2,VN17,VN27,VPE4,VPE7,VPX4 VPX7,VSD,VSD4,VSD7,VTE1,VTE2,VTE5,VWA,VWA2,VWT4,VX,VXB,VXB7,VXE VXEB,VXE2,VXE4,VXE6,VXE7,VXE8,VXFB,VXQ4,VXTB,VXT1,VXU,VXU1,VX8,V1 YJ 2402705 ----- VSB1,VSB3
			2	-	-	-----	
			-	-	2		
17	91201-ZE3-004	OIL SEAL, 35X52X8	1	1	-	-----	EDD2,EDS,EDS1,EDS2,EDS3,EDS5,EDS6,EDS7,EDT1,EDT5,EDT6,ED6,ED8,ED9 EN6,PAE2,PA2,PX,PXE,PXE8,PXU,QA,QAE,QAE2,QAE6,QAQ,QAW,QA2,QA26 QDW9,QE,QH,QHB3,QHC,QHE,QHP1,QH2,QKA2,QKA4,QKB2,QKE2,QK4,QME0 QME1,QMH,QMP,QND,QNE,QNE2,QNE6,QNE8,QNE9,QNK,QNR2,QNR6,QN18,QP,QT QWA2,QWA4,QWC4,QWH2,QWT2,QX,QXB,QXB7,QXC,QXC4,QXC6,QXC9,QXE,QXEB QXE2,QXE4,QXE6,QXE7,QXE8,QXQ4,QXQ7,QXS4,QXU,Q1,SCK4,SE,SH,SHB1 SHB3,SHE,SHEZ,SHQ4,SHW,SJ,SJG,SKA,SKAE,SMC1,SMD3,SME0,SME1,SME6 SMX,SM11,SM32,SN,SNC,SNC9,SNT2,STC4,SWA4,SWE,SWX,SX,AXB,SXB7,SXC SXE,SXEB,SXE4,SXE7,SXE8,SXK,SXK1,SXP,SXQ4,SXU,SX2,S1,VA,VAE,VAE VAA1,VAC2,VAG2,VA2,VCN2,VC2,VDB2,VDE1,VDE2,VD2,VE,VH,VHE,VJE2,VJ2 VKB2,VK2,VMA2,VME2,VMX,VM2,VNG1,VNG2,VN17,VN27,VPE4,VPE7,VPX4 VPX7,VSD,VSD4,VSD7,VTE1,VTE2,VTE5,VWA,VWA2,VWT4,VX,VXB,VXB7,VXE VXEB,VXE2,VXE4,VXE6,VXE7,VXE8,VXFB,VXQ4,VXTB,VXT1,VXU,VXU1,VX8,V1 YJ 2402705 ----- VSB1,VSB3
			1	-	-	-----	
			-	-	1		





2

Ref. No.	Part No.	Description	Reqd. QTY			Serial No.	Parts catalogue code
			(1)	(2)	(3)		
18	94101-06800	WASHER, PLAIN, 6MM	1	1	-	-----	EDD2,EDS,EDS1,EDS2,EDS3,EDS5,EDS6,EDS7,EDT1,EDT5,EDT6,ED6,ED8,ED9 EN6,PAE2,PA2,PX,PXE,PXE8,PXU,QA,QA2,QA6,QAQ,QA2,QA26 QDW9,QE,QH,QHB3,QHC,QHE,QHP1,QH2,QKA2,QKA4,QKB2,QKE2,QK4,QMEO QME1,QMH,QMP,QND,QNE,QNE2,QNE6,QNE8,QNE9,QNK,QNR2,QNR6,QN18,QP,QT QWA2,QWA4,QWC4,QWH2,QWT2,QX,QXB,QXB7,QXC,QXC4,QXC6,QXC9,QXE,QXEB QXE2,QXE4,QXE6,QXE7,QXE8,QXQ4,QXQ7,QXS4,QXU,Q1,SCK4,SE,SH,SHB1 SHB3,SHE,SHEZ,SHQ4,SHW,SJ,SJG,SKA,SKAE,SMC1,SMD3,SME0,SME1,SME6 SMX,SM11,SM32,SN,SNC,SNC9,SNT2,STC4,SWA4,SWE,SWX,SX,SXB,SXB7,SXC SXE,SXEB,SXE4,SXE7,SXE8,SXK,SXK1,SXP,SXQ4,SXU,SX2,S1,VA,VAA,VAE VAA1,VAC2,VAG2,VA2,VCN2,VC2,VDB2,VDE1,VDE2,VD2,VE,VH,VHE,VJE2,VJ2 VKB2,VK2,VMA2,VME2,VMX,VM2,VNG1,VNG2,VN17,VN27,VPE4,VPE7,VPX4 VPX7,VSD,VSD4,VSD7,VTE1,VTE2,VTE5,VVA,VVA2,VWT4,VX,VXB,VXB7,VXE VXEB,VXE2,VXE4,VXE6,VXE7,VXE8,VXFB,VXQ4,VXTB,VXT1,VXU,VXU1,VX8,V1 YJ
			1	-	-	2402705	----- VSB1,VSB3
			-	-	1		

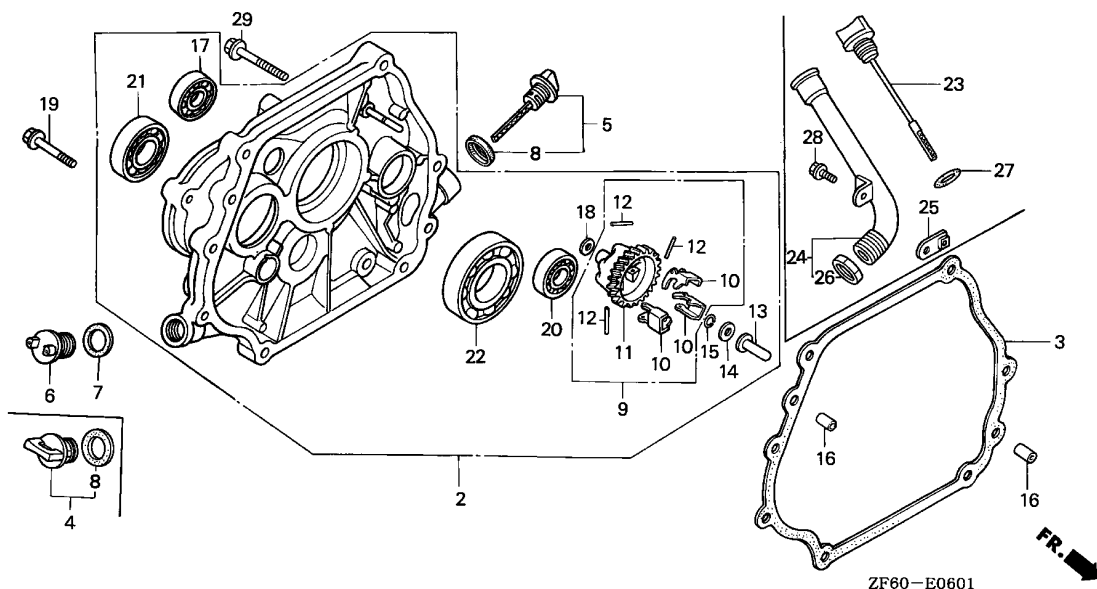
Ref. No.	Part No.	Description	Reqd. QTY			Serial No.	Parts catalogue code
			GX390K1 (1)	(2)	(3)		
19	95701-08040-00	BOLT, FLANGE, 8X40	7	7	-	-----	EDD2,EDS,EDS1,EDS2,EDS3,EDS5,EDS6,EDS7,EDT1,EDT5,EDT6,ED6,ED8,ED9 EN6,PAE2,PA2,PX,PXE,PXE8,PXU,QA,QA2,QA6,QAQ,QA2,QA26 QDW9,QE,QH,QHB3,QHC,QHE,QHP1,QH2,QKA2,QKA4,QKB2,QKE2,QK4,QME0 QME1,QMH,QMP,QND,QNE,QNE2,QNE6,QNE8,QNE9,QNK,QNR2,QNR6,QN18,QP,QT QWA2,QWA4,QWC4,QWH2,QWT2,QX,QXB,QXB7,QXC,QXC4,QXC6,QXC9,QXE,QXEB QXE2,QXE4,QXE6,QXE7,QXE8,QXQ4,QXQ7,QXS4,QXU,Q1,SCK4,SE,SH,SHB1 SHB3,SHE,SHEZ,SHQ4,SHW,SJ,SJG,SKA,SKAE,SMC1,SMD3,SME0,SME1,SME6 SMX,SM11,SM32,SN,SNC,SNC9,SNT2,STC4,SWA4,SWE,SWX,SX,SBX,SBX7,SXC SXE,SXEB,SXE4,SXE7,SXE8,SXK,SXK1,SXP,SXQ4,SXU,SX2,S1,VA,VA0,VAE VAA1,VAC2,VAG2,VA2,VCN2,VC2,VDB2,VDE1,VDE2,VD2,VE,VH,VHE,VJE2,VJ2 VKB2,VK2,VMA2,VME2,VMX,VM2,VNG1,VNG2,VN17,VN27,VPE4,VPE7,VPX4 VPX7,VSD,VSD4,VSD7,VTE1,VTE2,VTE5,VWA,VWA2,VWT4,VX,VXB,VXB7,VXE VXEB,VXE2,VXE4,VXE6,VXE7,VXE8,VXFB,VXQ4,VXTB,VXT1,VXU,VXU1,VX8,V1 YJ 2402705 ----- VSB1,VSB3
			7	-	-	-----	
			-	-	7	-----	
20	96100-62020-00	BEARING, RADIAL BALL, 6202 ..	1	1	-	-----	EDD2,EDS,EDS1,EDS2,EDS3,EDS5,EDS6,EDS7,EDT1,EDT5,EDT6,ED6,ED8,ED9 EN6,PAE2,PA2,PX,PXE,PXE8,PXU,QA,QA2,QA6,QAQ,QA2,QA26 QDW9,QE,QH,QHB3,QHC,QHE,QHP1,QH2,QKA2,QKA4,QKB2,QKE2,QK4,QME0 QME1,QMH,QMP,QND,QNE,QNE2,QNE6,QNE8,QNE9,QNK,QNR2,QNR6,QN18,QP,QT QWA2,QWA4,QWC4,QWH2,QWT2,QX,QXB,QXB7,QXC,QXC4,QXC6,QXC9,QXE,QXEB QXE2,QXE4,QXE6,QXE7,QXE8,QXQ4,QXQ7,QXS4,QXU,Q1,SCK4,SE,SH,SHB1 SHB3,SHE,SHEZ,SHQ4,SHW,SJ,SJG,SKA,SKAE,SMC1,SMD3,SME0,SME1,SME6 SMX,SM11,SM32,SN,SNC,SNC9,SNT2,STC4,SWA4,SWE,SWX,SX,SBX,SBX7,SXC SXE,SXEB,SXE4,SXE7,SXE8,SXK,SXK1,SXP,SXQ4,SXU,SX2,S1,VA,VA0,VAE VAA1,VAC2,VAG2,VA2,VCN2,VC2,VDB2,VDE1,VDE2,VD2,VE,VH,VHE,VJE2,VJ2 VKB2,VK2,VMA2,VME2,VMX,VM2,VNG1,VNG2,VN17,VN27,VPE4,VPE7,VPX4 VPX7,VSD,VSD4,VSD7,VTE1,VTE2,VTE5,VWA,VWA2,VWT4,VX,VXB,VXB7,VXE VXEB,VXE2,VXE4,VXE6,VXE7,VXE8,VXFB,VXQ4,VXTB,VXT1,VXU,VXU1,VX8,V1 YJ 2402705 ----- VSB1,VSB3
			1	-	-	-----	
			-	-	1	-----	
21	96100-62070-00	BEARING, RADIAL BALL, 6207 ..	1	1	-	-----	EDD2,EDS,EDS1,EDS2,EDS3,EDS5,EDS6,EDS7,EDT1,EDT5,EDT6,ED6,ED8,ED9 EN6,PAE2,PA2,PX,PXE,PXE8,PXU,QA,QA2,QA6,QAQ,QA2,QA26 QDW9,QE,QH,QHB3,QHC,QHE,QHP1,QH2,QKA2,QKA4,QKB2,QKE2,QK4,QME0 QME1,QMH,QMP,QND,QNE,QNE2,QNE6,QNE8,QNE9,QNK,QNR2,QNR6,QN18,QP,QT QWA2,QWA4,QWC4,QWH2,QWT2,QX,QXB,QXB7,QXC,QXC4,QXC6,QXC9,QXE,QXEB QXE2,QXE4,QXE6,QXE7,QXE8,QXQ4,QXQ7,QXS4,QXU,Q1,SCK4,SE,SH,SHB1 SHB3,SHE,SHEZ,SHQ4,SHW,SJ,SJG,SKA,SKAE,SMC1,SMD3,SME0,SME1,SME6 SMX,SM11,SM32,SN,SNC,SNC9,SNT2,STC4,SWA4,SWE,SWX,SX,SBX,SBX7,SXC SXE,SXEB,SXE4,SXE7,SXE8,SXK,SXK1,SXP,SXQ4,SXU,SX2,S1,VA,VA0,VAE VAA1,VAC2,VAG2,VA2,VCN2,VC2,VDB2,VDE1,VDE2,VD2,VE,VH,VHE,VJE2,VJ2 VKB2,VK2,VMA2,VME2,VMX,VM2,VNG1,VNG2,VN17,VN27,VPE4,VPE7,VPX4 VPX7,VSD,VSD4,VSD7,VTE1,VTE2,VTE5,VWA,VWA2,VWT4,VX,VXB,VXB7,VXE VXEB,VXE2,VXE4,VXE6,VXE7,VXE8,VXFB,VXQ4,VXTB,VXT1,VXU,VXU1,VX8,V1 YJ 2702705 ----- VSB1,VSB3
			1	-	-	-----	
			-	-	1	-----	
22	15600-ZG4-003	CAP ASSY., OIL FILLER	1	-	-	-----	QXB7,QXE7,QXQ7,SHW,SBX7,SXE7,VSD7
23	15600-735-003	CAP ASSY., OIL FILLER	1	-	-	-----	QXB7,QXE7,QXQ7,SHW,SBX7,SXE7,VSD7



E-6-1

CRANKCASE COVER(2)

F12

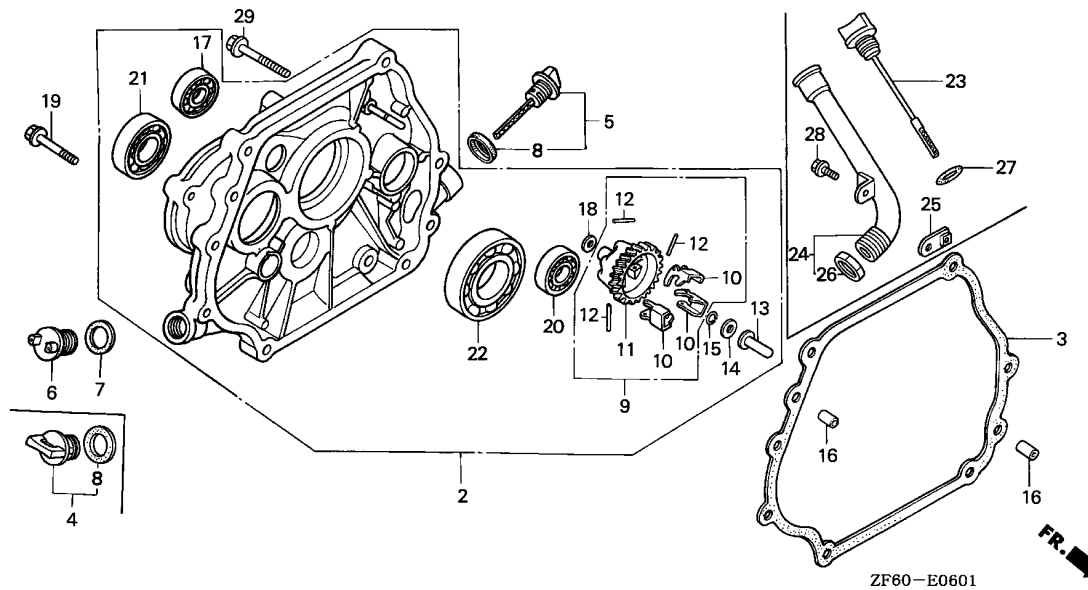


Service item	F.R.T.
EXTENSION COMP., OIL FILLER ..	0.1
COVER ASSY., CRANKCASE	0.3
.SLIDER, GOVERNOR	
BEARING, RADIAL BALL, 6202 ...	0.4
.BEARING, RADIAL BALL, 6207	
.HOLDER, GOVERNOR WEIGHT	
(INC. RELATIVE PART)	

Ref. No.	Part No.	Description	Reqd. QTY			Serial No.	Parts catalogue code
			GX390K1	(1)	(2)		
2	11300-ZE3-612	COVER ASSY., CRANKCASE	1	-	-	-----	BJ, LHB1, LHC, LMH, LXZ
			1	-	-	3287256	LH, LHB3, LHE, LHP1, LHW, LJ, LJG, LKE, LKF1, LT, LTK, LTK1, LWD, LWD1, LX, LXE, LXE2, LXE4, LXE8, LXQ4, LXU, LX2, ZK1
	11300-ZF6-W30	1	-	-	-----	HAQ, HJA, HX
			1	-	-	3287256	HA2, HH, HJA2
	11300-ZE3-W00	1	-	-	-----	LP
	11300-ZE3-614	1	1	-	3287257	-----
							LH, LHB3, LHE, LHP1, LHW, LJ, LJG, LKE, LKF1, LT, LTK, LTK1, LWD, LWD1, LX, LXE, LXE2, LXE4, LXE8, LXQ4, LXU, LX2, L1, ZK1
	11300-ZF6-W32	1	-	-	3287257	-----
							HA2, HH, HJA2
3	11381-ZE3-801	PACKING, CASE COVER	1	(1)	-	-----	-----
							BJ, HA, HAQ, HA2, HH, HJA, HJA2, HX, LH, LHB1, LHB3, LHC, LHE, LHP1, LHW, LJ, LJG, LKE, LKF1, LMH, LP, LT, LTK, LTK1, LWD, LWD1, LX, LXE, LXE2, LXE4, LXE8, LXQ4, LXU, LXZ, LX2, L1, ZK1
4	15600-ZG4-003	CAP ASSY., OIL FILLER	1	1	-	2090081	-----
			1	-	-	-----	-----
							BJ, HA, HAQ, HH, HJA, HX, LH, LHC, LHE, LJ, LWD, LX, LXE, LXZ, L1
							HA2, HJA2, LHB1, LHB3, LHP1, LHW, LJG, LKE, LKF1, LMH, LP, LT, LTK, LTK1, LWD1, LXE2, LXE4, LXE8, LXQ4, LXU, LX2, ZK1
5	15600-735-700	CAP ASSY., OIL FILLER	1	1	-	2090080	-----
	15600-735-003	1	1	-	2090081	-----
			1	-	-	-----	-----
							BJ, HA, HAQ, HH, HJA, HX, LH, LHC, LHE, LJ, LWD, LX, LXE, LXZ, L1
							HA2, HJA2, LHB1, LHB3, LHP1, LHW, LJG, LKE, LKF1, LMH, LP, LT, LTK, LTK1, LWD1, LXE2, LXE4, LXE8, LXQ4, LXU, LX2
6	15620-ZG4-910	CAP, OIL FILLER	1	1	-	2090080	-----
7	15621-896-010	PACKING, OIL FILLER CAP	1	1	-	2090080	-----
	15625-ZE1-003	(1)	-	-	-----	-----
							HA, HJA
8	15625-ZE1-000	PACKING, OIL FILLER CAP	1	1	-	2090080	-----
							BJ, HA, HAQ, HH, HJA, HX, LH, LHC, LHE, LJ, LWD, LX, LXE, LXZ, L1

Ref. No.	Part No.	Description	Reqd. QTY			Serial No.	Parts catalogue code	
			GX390K1	(1)	(2)			(3)
(8)	15625-ZE1-003	PACKING, OIL FILLER CAP	2	-	-	-----	HA2,HJA2,LXE2	
			2	-	-	2090081	-----	HAQ
			1	-	-	-----	ZK1	
			2	2	-	2090081	-----	BJ,HA,HH,HJA,HX,LH,LHC,LHE,LJ,LWD,LX,LXE,LXZ,L1
			2	-	-	-----	LHB1,LHB3,LHP1,LHW,LJG,LKE,LKF1,LMH,LP,LT,LTk,LTk1,LWD1,LXE4,LXE8,LXQ4,LXU,LX2	
9	16510-ZE3-000	GOVERNOR ASSY.	1	1	-	-----	BJ,HA,HAQ,HA2,HH,HJA,HJA2,HX,LH,LHB1,LHB3,LHC,LHE,LHP1,LHW,LJ,LJG,LKE,LKF1,LMH,LT,LTk,LTk1,LWD,LWD1,LX,LXE,LXE2,LXE4,LXE8,LXQ4,LXU,LXZ,LX2,L1,ZK1	
10	16511-ZE8-000	WEIGHT, GOVERNOR	3	3	-	-----	BJ,HA,HAQ,HA2,HH,HJA,HJA2,HX,LH,LHB1,LHB3,LHC,LHE,LHP1,LHW,LJ,LJG,LKE,LKF1,LMH,LT,LTk,LTk1,LWD,LWD1,LX,LXE,LXE2,LXE4,LXE8,LXQ4,LXU,LXZ,LX2,L1,ZK1	
11	16512-ZE3-000	HOLDER, GOVERNOR WEIGHT	1	1	-	-----	BJ,HA,HAQ,HA2,HH,HJA,HJA2,HX,LH,LHB1,LHB3,LHC,LHE,LHP1,LHW,LJ,LJG,LKE,LKF1,LMH,LT,LTk,LTk1,LWD,LWD1,LX,LXE,LXE2,LXE4,LXE8,LXQ4,LXU,LXZ,LX2,L1,ZK1	
12	16513-ZE2-000	PIN, GOVERNOR WEIGHT	3	3	-	-----	BJ,HA,HAQ,HA2,HH,HJA,HJA2,HX,LH,LHB1,LHB3,LHC,LHE,LHP1,LHW,LJ,LJG,LKE,LKF1,LMH,LT,LTk,LTk1,LWD,LWD1,LX,LXE,LXE2,LXE4,LXE8,LXQ4,LXU,LXZ,LX2,L1,ZK1	
13	16531-ZE2-000	SLIDER, GOVERNOR	1	1	-	3287256	-----	HA2,HH,HJA2,LH,LHB3,LHE,LHP1,LHW,LJ,LJG,LKE,LKF1,LT,LTk,LTk1,LWD,LWD1,LX,LXE,LXE2,LXE4,LXE8,LXQ4,LXU,LX2,L1,ZK1
	16531-Z0A-000	1	1	-	3287257	-----	HA2,HH,HJA2,LH,LHB3,LHE,LHP1,LHW,LJ,LJG,LKE,LKF1,LT,LTk,LTk1,LWD,LWD1,LX,LXE,LXE2,LXE4,LXE8,LXQ4,LXU,LX2,L1,ZK1
			1	-	-	-----	BJ,HA,HAQ,HJA,HX,LHB1,LHC,LMH,LXZ	
14	90473-147-000	WASHER, 6X16	1	1	-	2080006	-----	HA,HH,HJA,HX,LH,LHC,LHE,LX,LXE,LXZ,L1
			1	-	-	2081121	-----	BJ,LJ,LWD
			1	-	-	2123631	-----	HAQ
15	90602-ZE1-000	CLIP, GOVERNOR HOLDER	1	1	-	-----	BJ,HA,HAQ,HA2,HH,HJA,HJA2,HX,LH,LHB1,LHB3,LHC,LHE,LHP1,LHW,LJ,LJG,LKE,LKF1,LMH,LT,LTk,LTk1,LWD,LWD1,LX,LXE,LXE2,LXE4,LXE8,LXQ4,LXU,LXZ,LX2,L1,ZK1	
16	90701-HC4-000	DOWEL PIN, 8X12	2	2	-	-----	BJ,HA,HAQ,HA2,HH,HJA,HJA2,HX,LH,LHB1,LHB3,LHC,LHE,LHP1,LHW,LJ,LJG,LKE,LKF1,LMH,LP,LT,LTk,LTk1,LWD,LWD1,LX,LXE,LXE2,LXE4,LXE8,LXQ4,LXU,LXZ,LX2,L1,ZK1	
17	91009-KJ1-003	BEARING, RADIAL BALL, 6202 (NTN)	1	1	-	-----	BJ,HA,HAQ,HA2,HH,HJA,HJA2,HX,LH,LHB1,LHB3,LHC,LHE,LHP1,LHW,LJ,LJG,LKE,LKF1,LMH,LP,LT,LTk,LTk1,LWD,LWD1,LX,LXE,LXE2,LXE4,LXE8,LXQ4,LXU,LXZ,LX2,L1,ZK1	
18	94101-06800	WASHER, PLAIN, 6MM	1	1	-	-----	BJ,HA,HAQ,HA2,HH,HJA,HJA2,HX,LH,LHB1,LHB3,LHC,LHE,LHP1,LHW,LJ,LJG,LKE,LKF1,LMH,LT,LTk,LTk1,LWD,LWD1,LX,LXE,LXE2,LXE4,LXE8,LXQ4,LXU,LXZ,LX2,L1,ZK1	
19	95701-08040-00	BOLT, FLANGE, 8X40	7	7	-	-----	BJ,HA,HAQ,HA2,HH,HJA,HJA2,HX,LH,LHB1,LHB3,LHC,LHE,LHP1,LHW,LJ,LJG,LKE,LKF1,LMH,LP,LT,LTk,LTk1,LWD,LWD1,LX,LXE,LXE2,LXE4,LXE8,LXQ4,LXU,LXZ,LX2,L1,ZK1	
20	96100-62020-00	BEARING, RADIAL BALL, 6202 ..	1	1	-	-----	BJ,HA,HAQ,HA2,HH,HJA,HJA2,HX,LH,LHB1,LHB3,LHC,LHE,LHP1,LHW,LJ,LJG,LKE,LKF1,LMH,LP,LT,LTk,LTk1,LWD,LWD1,LX,LXE,LXE2,LXE4,LXE8,LXQ4,LXU,LXZ,LX2,L1,ZK1	
21	96100-62040-00	BEARING, RADIAL BALL, 6204 ..	1	1	-	-----	BJ,LH,LHB1,LHB3,LHC,LHE,LHP1,LHW,LJ,LJG,LKE,LKF1,LMH,LP,LT,LTk,LTk1,LWD,LWD1,LX,LXE,LXE2,LXE4,LXE8,LXQ4,LXU,LXZ,LX2,L1,ZK1	
	91102-GEO-003	BEARING, RADIAL BALL, 6204 (TOYO)	1	-	-	-----	HA,HAQ,HA2,HH,HJA,HJA2,HX	
22	96100-62070-00	BEARING, RADIAL BALL, 6207 ..	1	1	-	-----	BJ,HA,HAQ,HA2,HH,HJA,HJA2,HX,LH,LHB1,LHB3,LHC,LHE,LHP1,LHW,LJ,LJG,LKE,LKF1,LMH,LP,LT,LTk,LTk1,LWD,LWD1,LX,LXE,LXE2,LXE4,LXE8,LXQ4,LXU,LXZ,LX2,L1,ZK1	
23	15620-ZE3-L61	GAUGE COMP., OIL LEVEL	1	-	-	-----	ZK1	
24	15630-ZE3-L60	EXTENSION COMP., OIL FILLER .	1	-	-	-----	ZK1	
25	15634-ZE3-L60	PLATE, EXTENSION	1	-	-	-----	ZK1	



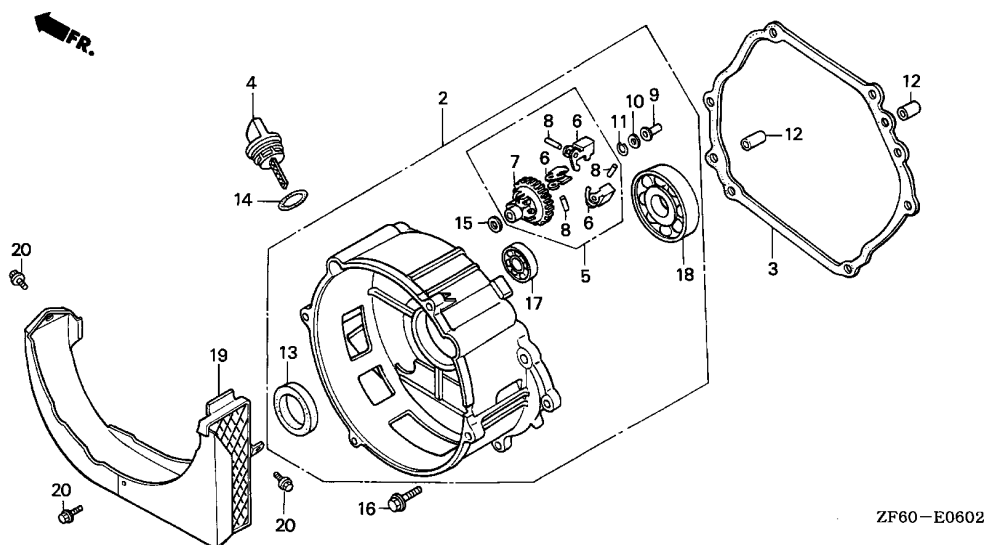


Ref. No.	Part No.	Description	Reqd. QTY			Serial No.	Parts catalogue code
			GX390K1	(1)	(2)		
26	90011-883-630	NUT, OIL FILLER	1	-	-	-----	ZK1
27	91303-800-000	O-RING, 16MM	1	-	-	-----	ZK1
28	95701-06012-00	BOLT, FLANGE, 6X12	1	-	-	-----	ZK1
29	95701-08045-00	BOLT, FLANGE, 8X45	1	-	-	-----	ZK1
	95701-08040-00	BOLT, FLANGE, 8X40	1	-	-	-----	BJ,LJ,LJG,LKF1,LTK,LTK1,LWD,LWD1

E-6-2

CRANKCASE COVER(3)

F15

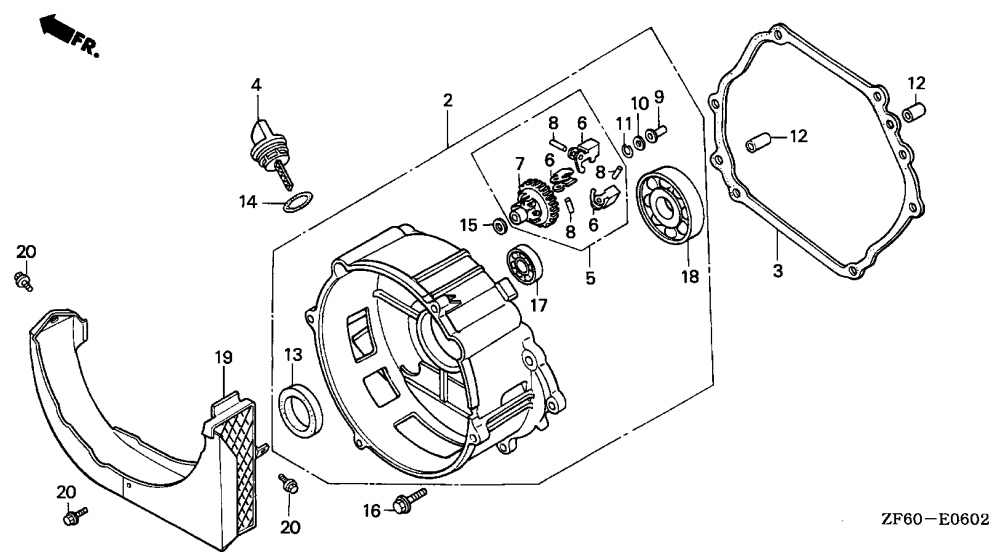


Service item	F.R.T.
COVER, DUCT	0.1
COVER ASSY., CRANKCASE	0.3
.PACKING, CASE COVER	
HOLDER, GOVERNOR WEIGHT	1.2
(INC. RELATIVE PART)	
.OIL SEAL, 35X52X8	
BEARING, RADIAL BALL, 6202 ...	1.3
.BEARING, RADIAL BALL, 6207	

ZF60-E0602

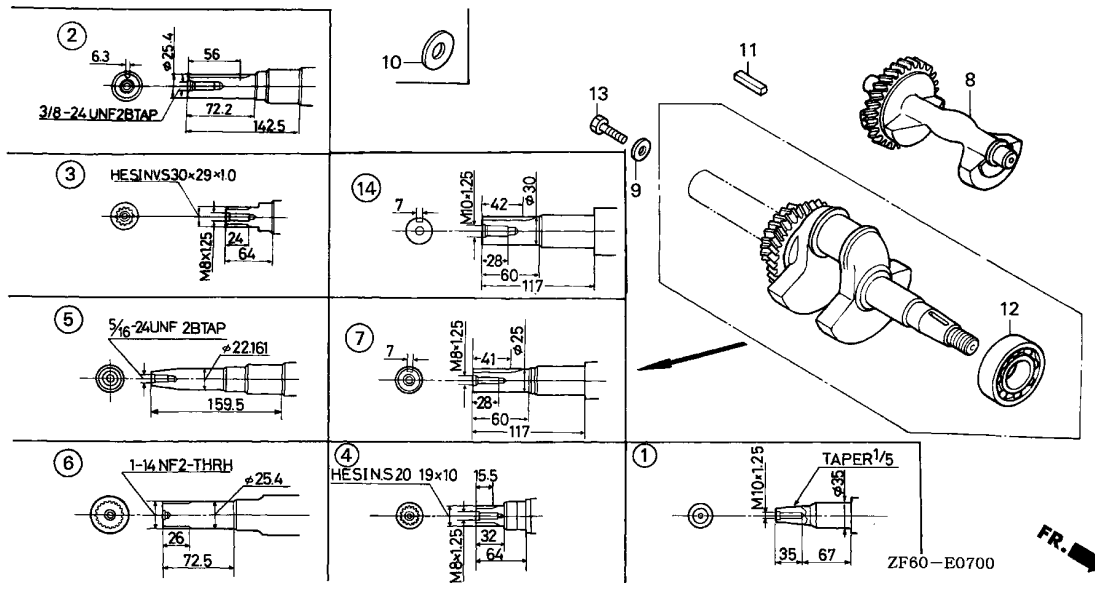
Ref. No.	Part No.	Description	Reqd. QTY			Serial No.	Parts catalogue code
			GX390K1	(1)	(2)		
2	11300-ZE3-702	COVER ASSY., CRANKCASE	1	-	-	ES1	
			1	-	-	2402704 VSB1,VSB3	
			1	-	-	3287256 ES3,ES4,ES5,EWS1,EWS3,EWS4,EWS5,VMT	
	11300-ZE3-704	1	-	-	3287257 ES3,ES4,ES5,EWS1,EWS3,EWS4,EWS5,VMT	
3	11381-ZE3-801	PACKING, CASE COVER	1	-	-	ES1,ES3,ES4,ES5,EWS1,EWS3,EWS4,EWS5,VMT	
			1	-	-	2402704 VSB1,VSB3	
4	15620-ZE2-700	CAP, OIL FILLER	1	-	-	ES1,ES3,ES4,ES5,EWS1,EWS3,EWS4,EWS5,VMT	
			1	-	-	2402704 VSB1,VSB3	
5	16510-ZE3-000	GOVERNOR ASSY.	1	-	-	ES1,ES3,ES4,ES5,EWS1,EWS3,EWS4,EWS5,VMT	
			1	-	-	2402704 VSB1,VSB3	
6	16511-ZE8-000	WEIGHT, GOVERNOR	3	-	-	ES1,ES3,ES4,ES5,EWS1,EWS3,EWS4,EWS5,VMT	
			3	-	-	2402704 VSB1,VSB3	
7	16512-ZE3-000	HOLDER, GOVERNOR WEIGHT	1	-	-	ES1,ES3,ES4,ES5,EWS1,EWS3,EWS4,EWS5,VMT	
			1	-	-	2402704 VSB1,VSB3	
8	16513-ZE2-000	PIN, GOVERNOR WEIGHT	3	-	-	ES1,ES3,ES4,ES5,EWS1,EWS3,EWS4,EWS5,VMT	
			3	-	-	2402704 VSB1,VSB3	
9	16531-ZE2-000	SLIDER, GOVERNOR	1	-	-	3287256 ES3,ES4,ES5,EWS3,EWS4,EWS5,VMT	
	16531-Z0A-000	1	-	-	ES1,EWS1	
			1	-	-	3287257 ES3,ES4,ES5,EWS3,EWS4,EWS5,VMT	
			1	-	-	2402704 VSB1,VSB3	
10	90473-147-000	WASHER, 6X16	1	-	-	2080006 ES1,ES3,ES4	
11	90602-ZE1-000	CLIP, GOVERNOR HOLDER	1	-	-	ES1,ES3,ES4,ES5,EWS1,EWS3,EWS4,EWS5,VMT	
			1	-	-	2402704 VSB1,VSB3	
12	90701-HC4-000	DOWEL PIN, 8X12	2	-	-	ES1,ES3,ES4,ES5,EWS1,EWS3,EWS4,EWS5,VMT	
			2	-	-	2402705 VSB1,VSB3	
13	91201-ZE3-004	OIL SEAL, 35X52X8	1	-	-	ES1,ES3,ES4,ES5,EWS1,EWS3,EWS4,EWS5,VMT	
			1	-	-	2402704 VSB1,VSB3	

2



Ref. No.	Part No.	Description	Reqd. QTY			Serial No.	Parts catalogue code
			GX390K1				
			(1)	(2)	(3)		
14	91301-805-000	O-RING, 26X2.7	1	-	-	----- ES1,ES3,ES4,ES5,EWS1,EWS3,EWS4,EWS5,VMT	
15	94101-06800	WASHER, PLAIN, 6MM	1	-	-	----- 2402704 VSB1,VSB3	
			1	-	-	----- 2402704 VSB1,VSB3	
16	95701-08040-00	BOLT, FLANGE, 8X40	7	-	-	----- ES1,ES3,ES4,ES5,EWS1,EWS3,EWS4,EWS5,VMT	
			7	-	-	----- 2402704 VSB1,VSB3	
17	96100-62020-00	BEARING, RADIAL BALL, 6202 ..	1	-	-	----- ES1,ES3,ES4,ES5,EWS1,EWS3,EWS4,EWS5,VMT	
			1	-	-	----- 2402704 VSB1,VSB3	
18	96100-62070-00	BEARING, RADIAL BALL, 6207 ..	1	-	-	----- ES1,ES3,ES4,ES5,EWS1,EWS3,EWS4,EWS5,VMT	
			1	-	-	----- 2702704 VSB1,VSB3	
19	11315-ZE3-700	COVER, DUCT	1	-	-	----- VMT	
20	90019-883-000	BOLT, FLANGE, 5X10	3	-	-	----- VMT	

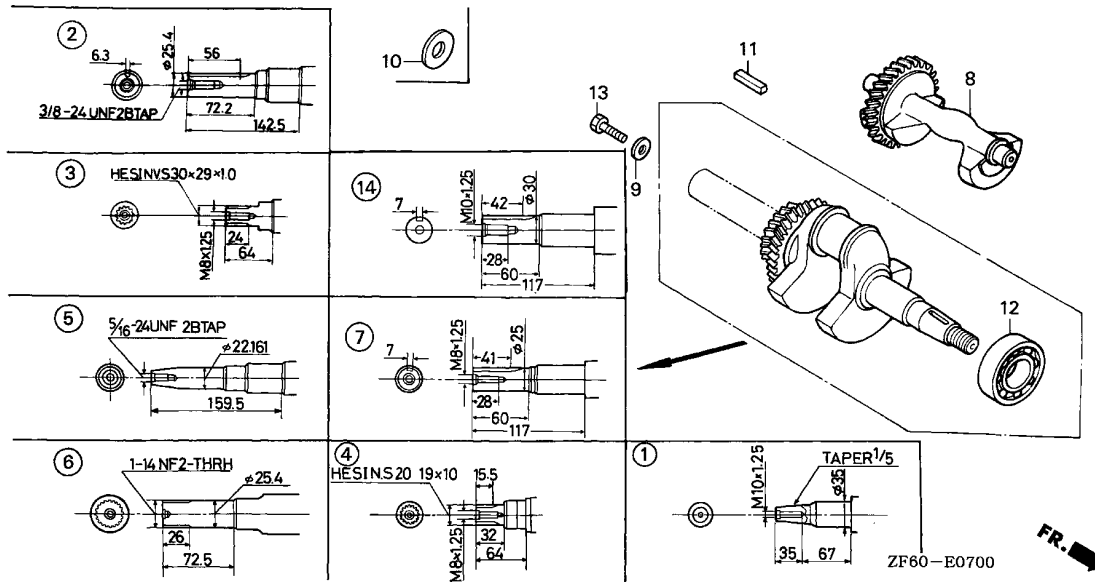
2



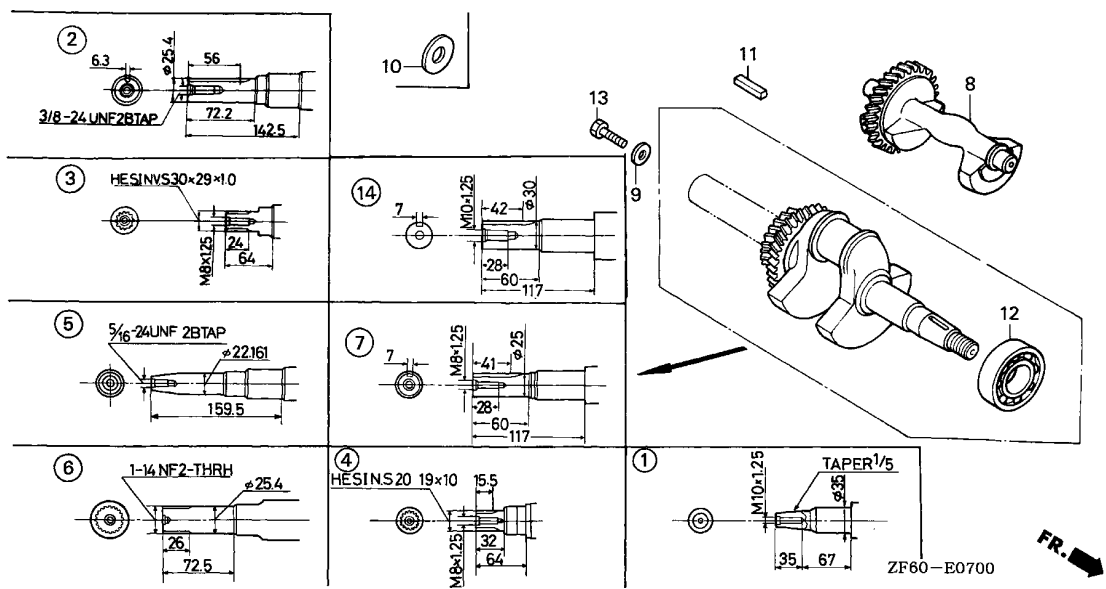
Service item	F.R.T.
WEIGHT, BALANCER	0.4
CRANKSHAFT COMP.	1.1
BEARING, RADIAL BALL, 6207S ..	1.3

Ref. No.	Part No.	Description	Reqd. QTY			Serial No.	Parts catalogue code
			GX390K1	(1)	(2)		
1	13310-ZF6-D40	CRANKSHAFT COMP.	1	-	-	-----	EDD2,EDS,EDS1,EDS2,EDS3,EDS5,EDS6,EDS7,EDT1,EDT5,EDT6,ED6,ED8,ED9 EN6,ES1,ES3,ES4,ES5,EWS1,EWS3,EWS4,EWS5,VMT,VTE2
2	13310-ZF6-W10	CRANKSHAFT COMP.	1	1	1	-----	QA,QAE,QAE2,QAE6,QAP,QAQ,QAW,QA2,QA26,QDW9,QE,QH,QHB3,QHC,QHE QHP1,QH2,QKA2,QKA4,QKB2,QKE2,QK4,QME0,QME1,QMH,QMP,QND,QNE,QNE2 QNE6,QNE8,QNE9,QNK,QNR2,QNR6,QN18,QP,QT,QWA2,QWA4,QWC4,QWH2,QWT2 QX,QXB,QXC,QXC4,QXC6,QXC9,QXE,QXEB,QXE2,QXE4,QXE6,QXEB,QXQ4,QXS4 QXU,Q1
3	13310-ZF6-W20	CRANKSHAFT COMP.	1	1	-	-----	BJ,LH,LHB1,LHB3,LHC,LHE,LHP1,LHW,LJ,LJG,LKE,LKF1,LMH,LT,LTk,LTk1 LWD,LWD1,LX,LXE,LXE2,LXE4,LXE8,LXQ4,LXU,LXZ,LX2,L1,ZK1
	13310-ZF6-Y30	CRANKSHAFT COMP.	1	-	-	-----	LP
4	13310-ZF6-W30	CRANKSHAFT COMP.	1	-	-	-----	HA,HAQ,HA2,HH,HJA,HJA2,HX
5	13310-ZF6-W40	CRANKSHAFT COMP.	1	1	1	-----	VA,VAA,VAE,VAA1,VAC2,VAG2,VAP,VA2,VCN2,VC2,VDB2,VDE1,VDE2,VD2,VE VH,VHE,VJE2,VJ2,VKB2,VK2,VMA2,VME2,VMX,VM2,VNG1,VNG2,VPE4,VPX4 VSB1,VSB3,VSD,VSD4,VTE1,VTE5,VWA,VWA2,VWT4,VX,VXB,VXE,VXEB,VXE2 VXE4,VXE6,VXE8,VXFB,VXP,VXQP,VXQ4,VXTB,VXT1,VXU,VXU1,VX8,V1 VN17,VN27,VPET7,VPX7,VSD7,VXB7,VXE7
	13310-ZK6-670	1	-	-	-----	SXB7,SXE7
	13310-ZK6-000	1	-	-	-----	QXB7,QXE7,QXQ7
	13310-ZK6-600	1	-	-	-----	
6	13310-ZF6-W60	CRANKSHAFT COMP.	1	-	-	-----	PAE2,PA2,PX,PXE,PXE8,PXU
7	13310-ZF6-010	CRANKSHAFT COMP.	1	1	-	2040049	SE,SH,SHE,SJ,SWE,SWX,SX,SXB,SXE,SXEB,SXP,S1
		1	-	-	-----	SHEZ
	13310-ZF6-W70	1	1	-	2040050	SE,SH,SHE,SJ,SWE,SWX,SX,SXB,SXE,SXEB,SXP,S1
		1	-	1	-----	SCK4,SHB1,SHB3,SHQ4,SHW,SJG,SKA,SKAE,SMC1,SMD3,SMEO,SME1,SME6,SMX SM11,SM32,SN,SNC,SNC9,SNT2,STC4,SWA4,SXC,SXE4,SXE8,SXK,SXKP,SXK1 SXQ4,SXU,SX2
8	13351-ZE3-010	WEIGHT, BALANCER	1	1	1	-----	
9	90471-ZE3-000	WASHER, 10.5X40X4	1	(1)	-	-----	BJ,HJA,HJA2,LT,Q1,YJ
	90473-ZE3-010	WASHER, 8MM	1	-	-	-----	LXE2





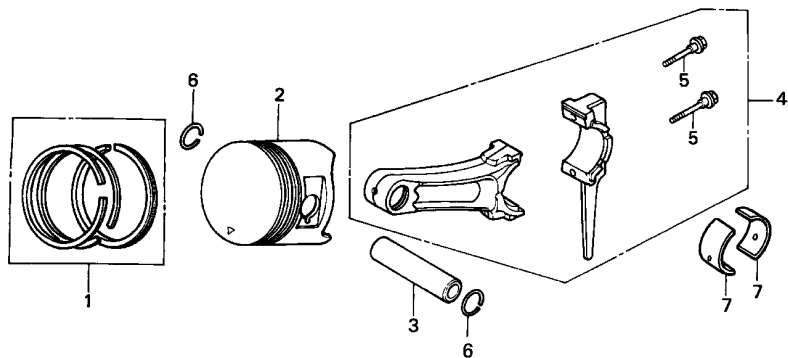
Ref. No.	Part No.	Description	Reqd. QTY			Serial No.	Parts catalogue code
			GX390K1	(1)	(2)		
10	90534-706-010	WASHER, LOCK, 8MM	1	1	-	LKF1,LTK,LTK1,SHW,SJ,SJG,SKA,SME1,SM11,SM32,STC4,S1	
11	90741-805-000	KEY, 7X7X33	1	1	-	LHB1,LHB3,LXQ4,SCK4,SE,SH,SHB1,SHB3,SHE,SHEZ,SHQ4,SHW,SJ,SJG,SKA,SMC1,SME1,SMX,SM11,SM32,SN,STC4,SWA4,SWE,SWX,SX,SBX,SXB7,SXC,SXE,SXEB,SXE4,SXE7,SXE8,SXP,SXQ4,SXU,SX2,S1,YJ	
	90741-889-810	KEY, 7X7X33(YELLOW)	1	-	-	SNC,SNC9,SXK1	
			(1)	(1)	1	ED8,ED9,LHB1,LHB3,LXQ4,SCK4,SE,SH,SHB1,SHB3,SHE,SHEZ,SHQ4,SHW,SJ,SJG,SKA,SKAE,SMC1,SMD3,SME0,SME1,SME6,SMX,SM11,SN,SNT2,STC4,SWA4,SWE,SWX,SX,SBX,SXB7,SXC,SXE,SXEB,SXE4,SXE7,SXE8,SXK,SXKP,SXP,SXQ4,SXU,SX2,S1,YJ	
	90745-ZE2-600	KEY, 6.3X6.3X43	1	(1)	1	HH,HJA,HX,PAE2,PA2,QA,QAE,QAE2,QAE6,QAP,QAQ,QAW,QA2,QA26,QDW9,QE,QH,QHB3,QHC,QHE,QHP1,QH2,QKA2,QKA4,QKB2,QKE2,QK4,QMH,QND,QNE,QNE2,QNE6,QNE8,QNE9,QNK,QNR2,QNR6,QN18,QP,QT,QWA2,QWA4,QWC4,QWH2,QWT2,QX,QXB,QXB7,QXC,QXC4,QXC6,QXC9,QXE,QXEB,QXE2,QXE4,QXE6,QXE7,QXE8,QXQ4,QXQ7,QXS4,QXU,Q1	



Ref. No.	Part No.	Description	Reqd. QTY GX390K1 (1) (2) (3)	Serial No.	Parts catalogue code
12	91001-ZF6-003	BEARING, RADIAL BALL, 6207S	1	-	BJ, EDD2, EDS, EDS1, EDS2, EDS3, EDS5, EDS6, EDS7, EDT1, EDT5, EDT6, ED6, ED8, ED9, EN6, ES1, ES3, ES4, ES5, EWS1, EWS3, EWS4, EWS5, HA, HAQ, HA2, HH, HJA2, HX, LH, LHB1, LHB3, LHC, LHE, LHP1, LHW, LJ, LJG, LKE, LKF1, LMH, LP, LT, LTK, LTK1, LWD, LWD1, LX, LXE, LXE2, LXE4, LXE8, LXQ4, LXU, LXZ, LX2, PAE2, PA2, PX, PXE, PXE8, PXU, QA, QAE, QAE2, QAE6, QAQ, QAW, QA2, QA26, QDW9, QE, QH, QHB3, QHC, QHE, QHP1, QH2, QKA2, QKA4, QKB2, QKE2, QK4, QMED, QME1, QMH, QMP, QND, QNE, QNE2, QNE6, QNE8, QNE9, QNK, QNR2, QNR6, QN18, QP, QT, QWA2, QWA4, QWC4, QWH2, QWT2, QX, QXB, QXB7, QXC, QXC4, QXC6, QXC9, QXE, QXEB, QXE2, QXE4, QXE6, QXE7, QXE8, QXQ4, QXQ7, QXS4, QXU, SCK4, SE, SH, SHB1, SHB3, SHE, SHEZ, SHQ4, SHW, SJ, SJG, SKA, SKAE, SMC1, SMD3, SME0, SME1, SME6, SMX, SM11, SM32, SN, SNC, SNC9, SNT2, STC4, SWA4, SWE, SWX, SX, SXB, SXB7, SXC, SXE, SXEB, SXE4, SXE7, SXE8, SXK, SXK1, SXP, SXQ4, SXU, SX2, VA, VAA, VAAE, VAA1, VAC2, VAG2, VA2, VCN2, VC2, VDB2, VDE1, VDE2, VD2, VE, VH, VHE, VJE2, VJ2, VKB2, VK2, VMA2, VME2, VMT, VMX, VM2, VNG1, VNG2, VN17, VN27, VPE4, VPE7, VPX4, VPX7, VSB1, VSB3, VSD, VSD4, VSD7, VTE1, VTE2, VTE5, VWA, VWA2, VWT4, VX, VXB, VXB7, VXE, VXEB, VXE2, VXE4, VXE6, VXE7, VXE8, VXF6, VXQ4, VXTB, VXT1, VXU, VXU1, VX8, YJ, ZK1
13	90107-959-003	BOLT, HEX., 8X25	1	-	LXE2
	92101-08025-0A		1	-	LKF1, LTK, LTK1, SHW, SJG, SKA, SME1, SM11, SM32, STC4
	90003-ZE3-600	BOLT, HEX., 3/8-24UNF (25MM)	1	(1)	HJA, HJA2, LT, Q1
	92000-08025-0A	BOLT, HEX., 8X25	1	1	SJ, S1
	92000-10025-0A	BOLT, HEX., 10X25	1	-	YJ
14	13310-ZF6-W50	CRANKSHAFT COMP.	1	-	YJ



Service item	F.R.T.
ROD ASSY., CONNECTING (INC. RELATIVE PART)	1.1
PISTON	1.2
.RING SET, PISTON	

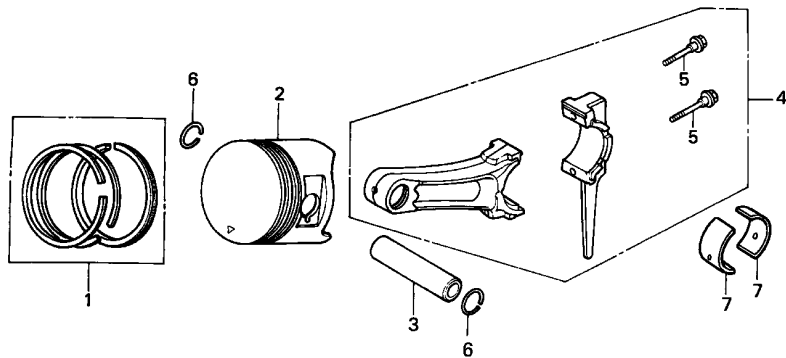


ZF60-E0800

Ref. No.	Part No.	Description	Reqd. QTY			Serial No.	Parts catalogue code
			GX390K1	(1)	(2)		
1	13010-ZF6-003	RING SET, PISTON (STD.) (NIPPON)	1	1	1		
	13010-ZF6-005	RING SET, PISTON (STD.) (TEIKOKU)	1	1	1		
	13011-ZF6-003	RING SET, PISTON (0.25) (NIPPON)	(1)	(1)	(1)		
	13011-ZF6-005	RING SET, PISTON (0.25) (TEIKOKU)	(1)	(1)	(1)		
	13012-ZF6-003	RING SET, PISTON (0.50) (NIPPON)	(1)	(1)	(1)		
	13012-ZF6-005	RING SET, PISTON (0.50) (TEIKOKU)	(1)	(1)	(1)		
	13013-ZF6-003	RING SET, PISTON (0.75) (NIPPON)	(1)	(1)	(1)		
	13013-ZF6-005	RING SET, PISTON (0.75) (TEIKOKU)	(1)	(1)	(1)		

Ref. No.	Part No.	Description	Reqd. QTY			Serial No.	Parts catalogue code
			(1)	(2)	(3)		
2	13101-ZF6-W00	PISTON (STD.)	1	-	-	-----	BJ,EDD2,EDS,EDS1,EDS2,EDS3,EDS5,EDS6,EDS7,EDT1,EDT5,EDT6,ED6,ED8 ED9,EN6,ES1,ES3,ES4,ES5,EWS1,EWS3,EWS4,EWS5,HA,HAQ,HA2,HH,HJA HJA2,HX,LH,LHB1,LHB3,LHC,LHE,LHP1,LHW,LJ,LJG,LKE,LKF1,LMH,LP,LT LTK,LTK1,LWD,LWD1,LX,LXE,LXE2,LXE4,LXE8,LXQ4,LXU,LXZ,LX2,PAE2,PA2 PX,PXE,PXE8,PXU,QA,QAE,QAE2,QAE6,QAQ,QAW,QA2,QA26,QDW9,QE,QH,QHB3 QHC,QHE,QHP1,QH2,QKA2,QKA4,QKB2,QKE2,QK4,QME0,QME1,QMH,QMP,QND QNE,QNE2,QNE6,QNE8,QNE9,QNK,QNR2,QNR6,QN18,QP,QWA2,QWA4,QWC4,QWH2 QWT2,QX,QXB,QXB7,QXC,QXC4,QXC6,QXC9,QXE,QXEB,QXE2,QXE4,QXE6,QXE7 QXE8,QXQ4,QXQ7,QXS4,QXU,SCK4,SE,SH,SHB1,SHB3,SHE,SHEZ,SHQ4,SHW,SJ SJG,SKA,SKAE,SMC1,SMD3,SMEO,SME1,SME6,SMX,SM11,SM32,SNC,SNCR9,SN2 STC4,SWA4,SWE,SWX,SX,SXB,SXB7,SXC,SXE,SXEB,SXE4,SXE7,SXE8,SXK SXX1,SXP,SXQ4,SXU,SX2,VA,VAA,VAAE,VAA1,VAC2,VAG2,VA2,VCN2,VC2 VDB2,VDE1,VDE2,VD2,VE,VH,VHE,VJE2,VJ2,VKB2,VK2,VMA2,VME2,VMT,VMX VM2,VNG1,VNG2,VN17,VN27,VPE4,VPE7,VPX4,VPX7,VS1,VS3,VSD,VSD4 VSD7,VTE1,VTE2,VTE5,VWA,VWA2,VWT4,VX,VXB,VXB7,VXE,VXEB,VXE2,VXE4 VXE6,VXE7,VXE8,VXFB,VXQ4,VXTB,VXT1,VXU,VXU1,VX8,YJ,ZK1
	13101-ZF6-810	-----	-	1	1	-----	QT,SN
	13102-ZF6-W00	PISTON (0.25)	(1)	-	-	-----	BJ,EDD2,EDS,EDS1,EDS2,EDS3,EDS5,EDS6,EDS7,EDT1,EDT5,EDT6,ED6,ED8 ED9,EN6,ES1,ES3,ES4,ES5,EWS1,EWS3,EWS4,EWS5,HA,HAQ,HA2,HH,HJA HJA2,HX,LH,LHB1,LHB3,LHC,LHE,LHP1,LHW,LJ,LJG,LKE,LKF1,LMH,LP,LT LTK,LTK1,LWD,LWD1,LX,LXE,LXE2,LXE4,LXE8,LXQ4,LXU,LXZ,LX2,PAE2,PA2 PX,PXE,PXE8,PXU,QA,QAE,QAE2,QAE6,QAQ,QAW,QA2,QA26,QDW9,QE,QH,QHB3 QHC,QHE,QHP1,QH2,QKA2,QKA4,QKB2,QKE2,QK4,QME0,QME1,QMH,QMP,QND QNE,QNE2,QNE6,QNE8,QNE9,QNK,QNR2,QNR6,QN18,QP,QWA2,QWA4,QWC4,QWH2 QWT2,QX,QXB,QXB7,QXC,QXC4,QXC6,QXC9,QXE,QXEB,QXE2,QXE4,QXE6,QXE7 QXE8,QXQ4,QXQ7,QXS4,QXU,SCK4,SE,SH,SHB1,SHB3,SHE,SHEZ,SHQ4,SHW,SJ SJG,SKA,SKAE,SMC1,SMD3,SMEO,SME1,SME6,SMX,SM11,SM32,SNC,SNCR9,SN2 STC4,SWA4,SWE,SWX,SX,SXB,SXB7,SXC,SXE,SXEB,SXE4,SXE7,SXE8,SXK SXX1,SXP,SXQ4,SXU,SX2,VA,VAA,VAAE,VAA1,VAC2,VAG2,VA2,VCN2,VC2 VDB2,VDE1,VDE2,VD2,VE,VH,VHE,VJE2,VJ2,VKB2,VK2,VMA2,VME2,VMT,VMX VM2,VNG1,VNG2,VN17,VN27,VPE4,VPE7,VPX4,VPX7,VS1,VS3,VSD,VSD4 VSD7,VTE1,VTE2,VTE5,VWA,VWA2,VWT4,VX,VXB,VXB7,VXE,VXEB,VXE2,VXE4 VXE6,VXE7,VXE8,VXFB,VXQ4,VXTB,VXT1,VXU,VXU1,VX8,YJ,ZK1
	13102-ZF6-810	-----	-	(1)	(1)	-----	QT,SN
	13103-ZF6-W00	PISTON (0.50)	(1)	-	-	-----	BJ,EDD2,EDS,EDS1,EDS2,EDS3,EDS5,EDS6,EDS7,EDT1,EDT5,EDT6,ED6,ED8 ED9,EN6,ES1,ES3,ES4,ES5,EWS1,EWS3,EWS4,EWS5,HA,HAQ,HA2,HH,HJA HJA2,HX,LH,LHB1,LHB3,LHC,LHE,LHP1,LHW,LJ,LJG,LKE,LKF1,LMH,LP,LT LTK,LTK1,LWD,LWD1,LX,LXE,LXE2,LXE4,LXE8,LXQ4,LXU,LXZ,LX2,PAE2,PA2 PX,PXE,PXE8,PXU,QA,QAE,QAE2,QAE6,QAQ,QAW,QA2,QA26,QDW9,QE,QH,QHB3 QHC,QHE,QHP1,QH2,QKA2,QKA4,QKB2,QKE2,QK4,QME0,QME1,QMH,QMP,QND QNE,QNE2,QNE6,QNE8,QNE9,QNK,QNR2,QNR6,QN18,QP,QWA2,QWA4,QWC4,QWH2 QWT2,QX,QXB,QXB7,QXC,QXC4,QXC6,QXC9,QXE,QXEB,QXE2,QXE4,QXE6,QXE7 QXE8,QXQ4,QXQ7,QXS4,QXU,SCK4,SE,SH,SHB1,SHB3,SHE,SHEZ,SHQ4,SHW,SJ SJG,SKA,SKAE,SMC1,SMD3,SMEO,SME1,SME6,SMX,SM11,SM32,SNC,SNCR9,SN2 STC4,SWA4,SWE,SWX,SX,SXB,SXB7,SXC,SXE,SXEB,SXE4,SXE7,SXE8,SXK SXX1,SXP,SXQ4,SXU,SX2,VA,VAA,VAAE,VAA1,VAC2,VAG2,VA2,VCN2,VC2 VDB2,VDE1,VDE2,VD2,VE,VH,VHE,VJE2,VJ2,VKB2,VK2,VMA2,VME2,VMT,VMX VM2,VNG1,VNG2,VN17,VN27,VPE4,VPE7,VPX4,VPX7,VS1,VS3,VSD,VSD4 VSD7,VTE1,VTE2,VTE5,VWA,VWA2,VWT4,VX,VXB,VXB7,VXE,VXEB,VXE2,VXE4 VXE6,VXE7,VXE8,VXFB,VXQ4,VXTB,VXT1,VXU,VXU1,VX8,YJ,ZK1
	13103-ZF6-810	-----	-	(1)	(1)	-----	QT,SN



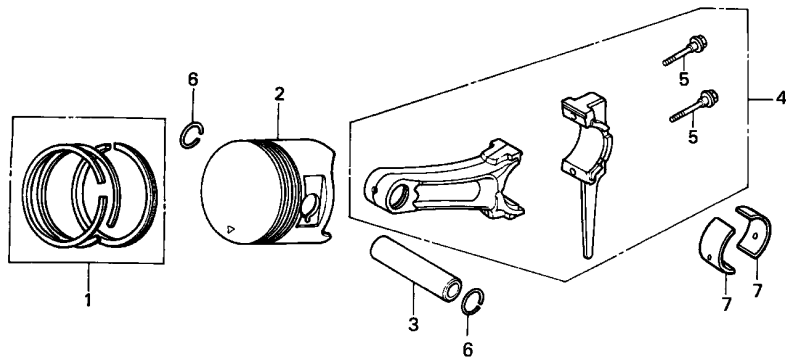


ZF60-E0800

Ref. No.	Part No.	Description	Reqd. QTY			Serial No.	Parts catalogue code
			(1)	(2)	(3)		
(2)	13104-ZF6-W00	PISTON (0.75)	(1)	-	-	-----	BJ,EDD2,EDS,EDS1,EDS2,EDS3,EDS5,EDS6,EDS7,EDT1,EDT5,EDT6,ED6,ED8,ED9,EN6,ES1,ES3,ES4,ES5,EWS1,EWS3,EWS4,EWS5,HA,HAQ,HA2,HH,HJA,HJA2,HX,LH,LHB1,LHB3,LHC,LHE,LHP1,LHW,LJ,LJG,LKE,LKF1,LMH,LP,LT,LTK,LTK1,LWD,LWD1,LX,LXE,LXE2,LXE4,LXE8,LXQ4,LXU,LXZ,LX2,PAE2,PA2,PX,PXE,PXE8,PXU,QA,QAE,QAE2,QAE6,QAQ,QAW,QA2,QA26,QDW9,QE,QH,QHB3,QHC,QHE,QHP1,QH2,QKA2,QKA4,QKB2,QKE2,QK4,QMEO,QME1,QMH,QMP,QND,QNE,QNE2,QNE6,QNE8,QNE9,QNK,QNR2,QNR6,QN18,QP,QWA2,QWA4,QWC4,QWH2,QWT2,QX,QXB,QXB7,QXC,QXC4,QXC6,QXC9,QXE,QXEB,QXE2,QXE4,QXE6,QXE7,QXE8,QXQ4,QXQ7,QXS4,QXU,SCK4,SE,SH,SHB1,SHB3,SHE,SHEZ,SHQ4,SHW,SJ,SJG,SKA,SKAE,SMC1,SMD3,SME0,SME1,SME6,SMX,SM11,SM32,SNC,SNC9,SNT2,STC4,SWA4,SWE,SWX,SX,SXB,SXB7,SXC,SXE,SXEB,SXE4,SXE7,SXE8,SXK,SXK1,SXP,SXQ4,SXU,SX2,VA,VAA,VAE,VAA1,VAC2,VAG2,VA2,VCN2,VC2,VDB2,VDE1,VDE2,VD2,VE,VH,VHE,VJE2,VJ2,VKB2,VK2,VMA2,VME2,VMT,VMX,VM2,VNG1,VNG2,VN17,VN27,VPE4,VPE7,VPX4,VPX7,VS1,VS3,VSD,VSD4,VSD7,VTE1,VTE2,VTE5,VWA,VWA2,VWT4,VX,VXB,VXB7,VXE,VXEB,VXE2,VXE4,VXE6,VXE7,VXE8,VXFB,VXQ4,VXTB,VXT1,VXU,VXU1,VX8,YJ,ZK1
	13104-ZF6-810	-----	-	(1)	(1)	-----	QT,SN
3	13111-ZF6-W00	PIN, PISTON	1	1	1	-----	

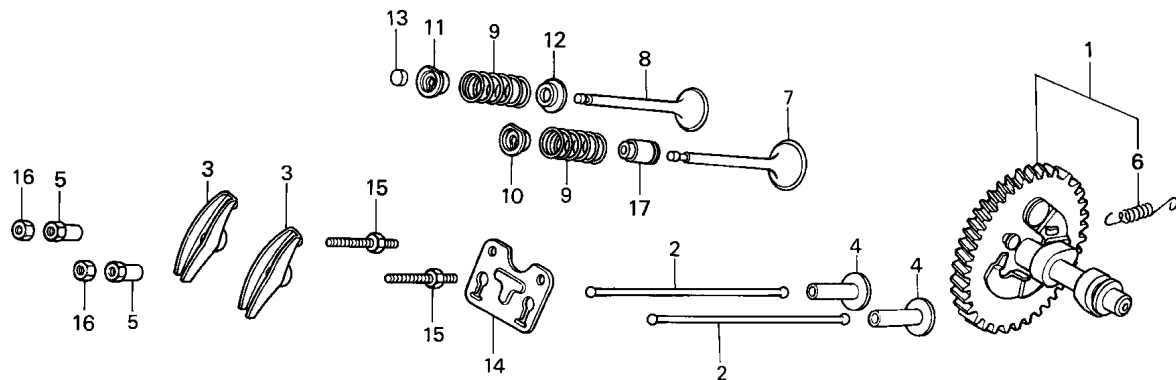
Ref. No.	Part No.	Description	Reqd. QTY			Serial No.	Parts catalogue code
			(1)	(2)	(3)		
4	13200-ZE3-010	ROD ASSY., CONNECTING (STD.)	1	1	1	-----	BJ,EDS3,EDS5,ES1,EWS1,HA,HAQ,HJA,HX,LHB1,LHC,LMH,LXZ,L1,PXE,QAQAE,QAP,QAQ,QHC,QH2,QKA2,QKE2,QME1,QMP,QNE,QN18,QP,QXE2,Q1,SESHB1,SHEZ,SKA,SMX,SNC9,SNT2,SXKP,SXP,SX2,S1,VA,VAA,VAAE,VDE1,VEVH,VHE,VJE2,VJ2,VMX,VTE1,VTE2,VVA,VXFB,VXTB,YJ
			1	1	-	-----	3177434 EDD2,EDS,EDS1,EDS2,EDS6,EDS7,EDT1,EDT5,EDT6,ED6,ED8,ED9,ES3,ES4ES5,EWS3,EWS4,EWS5,HA2,HH,HJA2,LH,LHB3,LHE,LHP1,LHW,LJ,LJG,LKE LKF1,LT,LTk,LTk1,LWD,LWD1,LX,LXE,LXE2,LXE4,LXE8,LXQ4,LXU,LX2,PAE2PA2,PX,PXE8,PXU,QAE2,QAE6,QAW,QA2,QA26,QDW9,QE,QH,QHB3,QHE,QHP1QKA4,QKB2,QK4,QMEO,QMH,QND,QNE2,QNE6,QNE8,QNE9,QNK,QNR2,QNR6,QTQWA2,QWA4,QWC4,QWH2,QWT2,QX,QXB,QXC,QXC4,QXC6,QXC9,QXE,QXEB,QXE4QXE6,QXE8,QXQ4,QXU,SCK4,SH,SHB3,SHE,SHQ4,SHW,SJ,SJG,SKAE,SMC1SMD3,SMEO,SME1,SME6,SM11,SM32,SN,SNC,STC4,SWA4,SWE,SWX,SW,SXB,SXESXE4,SXE8,SXK,SXQ4,SXU,VAA1,VAC2,VAG2,VA2,VCN2,VDB2,VDE2,VD2VKB2,VK2,VMA2,VME2,VMT,VM2,VNG1,VNG2,VPE4,VPX4,VS1,VS3,VSD,VSD4VTE5,VVA2,VVT4,VX,VXB,VXE,VXEB,VXE2,VXE4,VXE6,VXE8,VXQ4,VXT1,VXU VXU1,VX8,V1,ZK1
	13200-ZF6-000	ROD ASSY., CONNECTING	-	-	1	-----	1003436 VAP,VXP,VXQP
	13200-ZE3-020	ROD ASSY., CONNECTING (STD.)	1	1	-	-----	3177435 EDD2,EDS,EDS1,EDS2,EDS6,EDS7,EDT1,EDT5,EDT6,ED6,ED8,ED9,ES3,ES4ES5,EWS3,EWS4,EWS5,HA2,HH,HJA2,LH,LHB3,LHE,LHP1,LHW,LJ,LJG,LKE LKF1,LT,LTk,LTk1,LWD,LWD1,LX,LXE,LXE2,LXE4,LXE8,LXQ4,LXU,LX2,PAE2PA2,PX,PXE8,PXU,QAE2,QAE6,QAW,QA2,QA26,QDW9,QE,QH,QHB3,QHE,QHP1QKA4,QKB2,QK4,QMEO,QMH,QND,QNE2,QNE6,QNE8,QNE9,QNK,QNR2,QNR6,QTQWA2,QWA4,QWC4,QWH2,QWT2,QX,QXB,QXC,QXC4,QXC6,QXC9,QXE,QXEB,QXE4QXE6,QXE8,QXQ4,QXU,SCK4,SH,SHB3,SHE,SHQ4,SHW,SJ,SJG,SKAE,SMC1SMD3,SMEO,SME1,SME6,SM11,SM32,SN,SNC,STC4,SWA4,SWE,SWX,SW,SXB,SXESXE4,SXE8,SXK,SXQ4,SXU,VAA1,VAC2,VAG2,VA2,VCN2,VDB2,VDE2,VD2VKB2,VK2,VMA2,VME2,VMT,VM2,VNG1,VNG2,VPE4,VPX4,VS1,VS3,VSD,VSD4VTE5,VVA2,VVT4,VX,VXB,VXE,VXEB,VXE2,VXE4,VXE6,VXE8,VXQ4,VXT1,VXU VXU1,VX8,V1,ZK1
			1	-	-	-----	EN6,QXB7,QXE7,QXQ7,QXS4,SXB7,SXC,SXE7,SXK1,VC2,VN17,VN27,VPE7VPX7,VSD7,VXB7,VXE7
	13200-ZE3-315	ROD ASSY., CONNECTING (0.25 UNDER SIZE)	-	-	1	-----	1003437 VAP,VXP,VXQP
			(1)	-	-	-----	BJ,EDD2,EDS,EDS1,EDS2,EDS3,EDS6,EDS7,EDT1,EDT5,EDT6,ED6,ED8,ED9EN6,ES1,ES3,ES4,ES5,EWS1,EWS3,EWS4,EWS5,HA,HAQ,HA2,HH,HJA,HJA2,HXLH,LHB1,LHB3,LHC,LHE,LHP1,LHW,LJ,LJG,LKE,LKF1,LMH,LT,LTk,LTk1,LWDLWD1,LX,LXE,LXE2,LXE4,LXE8,LXQ4,LXU,LXZ,LX2,PAE2,PA2,PX,PXE,PXE8PXU,QA,QAE,QAE2,QAE6,QAQ,QAW,QA2,QA26,QDW9,QE,QH,QHB3,QHC,QHEQHP1,QH2,QKA2,QKA4,QKB2,QKE2,QK4,QMEO,QME1,QMH,QMP,QND,QNE2,QNE6,QNE8,QNE9,QNK,QNR2,QNR6,QN18,QP,QT,QWA2,QWA4,QWC4,QWH2,QWT2QX,QXB,QXB7,QXC,QXC4,QXC6,QXC9,QXE,QXEB,QXE2,QXE4,QXE6,QXE7,QXE8QXQ4,QXQ7,QXS4,QXU,SCK4,SE,SH,SHB1,SHB3,SHE,SHEZ,SHQ4,SHW,SJ,SJGSKA,SKAE,SMC1,SMD3,SMEO,SME1,SME6,SMX,SM11,SM32,SN,SNC,SNC9,SNT2STC4,SWA4,SWE,SWX,SW,SXB,SXB7,SXC,SXE,SXEB,SXE4,SXE7,SXE8,SXKSXK1,SXP,SXQ4,SXU,SX2,VA,VAA,VAAE,VAA1,VAC2,VAG2,VA2,VCN2,VC2VDB2,VDE1,VDE2,VD2,VE,VH,VHE,VJE2,VJ2,VKB2,VK2,VMA2,VME2,VMT,VMXVM2,VNG1,VNG2,VN17,VN27,VPE4,VPE7,VPX4,VPX7,VS1,VS3,VSD,VSD4VSD7,VTE1,VTE2,VTE5,VVA,VVA2,VVT4,VX,VXB,VXB7,VXE,VXEB,VXE2,VXE4VXE6,VXE7,VXE8,VXFB,VXQ4,VXTB,VXT1,VXU,VXU1,VX8,YJ,ZK1
			-	(1)	(1)		





ZF60-E0800

Ref. No.	Part No.	Description	Reqd. QTY GX390K1 (1) (2) (3)	Serial No.	Parts catalogue code
5	90001-ZE8-000	BOLT, CONNECTING ROD	2	-	BJ,EDD2,EDS,EDS1,EDS2,EDS3,EDS5,EDS6,EDS7,EDT1,EDT5,EDT6,ED6,ED8,ED9,EN6,ES1,ES3,ES4,ES5,EWS1,EWS3,EWS4,EWS5,HA,HAQ,HA2,HH,HJA,HJA2,HX,LH,LHB1,LHB3,LHC,LHE,LHP1,LHW,LJ,LJG,LKE,LKF1,LMH,LT,LTK,LTK1,LWD,LWD1,LX,LXE,LXE2,LXE4,LXE8,LXQ4,LXU,LXZ,LX2,PAE2,PA2,PXE,PXE8,PXU,QA,QAE,QAE2,QAE6,QAQ,QAW,QA2,QA26,QDW9,QE,QH,QHB3,QHC,QHE,QHP1,QH2,QKA2,QKA4,QKB2,QKE2,QK4,QMED,QME1,QMH,QMP,QND,QNE,QNE2,QNE6,QNE8,QNE9,QNK,QNR2,QNR6,QN18,QP,QT,QWA2,QWA4,QWC4,QWH2,QWT2,QX,QXB,QXB7,QXC,QXC4,QXC6,QXC9,QXE,QXEB,QXE2,QXE4,QXE6,QXE7,QXE8,QXQ4,QXQ7,QXS4,QXU,SCK4,SE,SH,SHB1,SHB3,SHE,SHEZ,SHQ4,SHW,SJ,SJG,SKA,SKAE,SMC1,SMD3,SME0,SME1,SME6,SMX,SM11,SM32,SN,SNC,SNC9,SNT2,STC4,SWA4,SWE,SWX,SX,SXB,SXB7,SXC,SXE,SXEB,SXE4,SXE7,SXE8,SXK,SXK1,SXP,SXQ4,SXU,SX2,VA,VAA,VAE,VAA1,VAC2,VAG2,VA2,VCN2,VC2,VDB2,VDE1,VDE2,VD2,VE,VH,VHE,VJE2,VJ2,VKB2,VK2,VMA2,VME2,VMT,VMX,VM2,VNG1,VNG2,VN17,VN27,VPE4,VPE7,VPX4,VPX7,VS1,VS3,VSD,VSD4,VSD7,VTE1,VTE2,VTE5,VVA,VVA2,VVT4,VX,VXB,VXB7,VXE,VXEB,VXE2,VXE4,VXE6,VXE7,VXE8,VXFB,VXQ4,VXTB,VXT1,VXU,VXU1,VX8,YJ,ZK1
	90001-ZF6-003	- 2 2		LP
6	90601-ZE3-000	CLIP, PISTON PIN, 20MM	2	2	2
7	13215-ZF6-003	BEARING A, CONNECTING ROD (BLUE)	2	-	LP
	13216-ZF6-003	BEARING B, CONNECTING ROD (BLACK)	2	-	LP
	13217-ZF6-003	BEARING C, CONNECTING ROD (BROWN)	2	-	LP
	13218-ZF6-003	BEARING D, CONNECTING ROD (GREEN)	2	-	LP



Service item	F.R.T.
ARM, VALVE ROCKER	0.2
.ROD, PUSH	
.ROTATOR, VALVE	
BOLT, PIVOT, 8MM	0.3
(ADD 0.1 FOR EACH.)	
CAMSHAFT ASSY.	0.4
.LIFTER, VALVE	
SEAL, VALVE STEM	0.7
.VALVE	
(ADD 0.1 FOR EACH.)	

ZF60-E0900



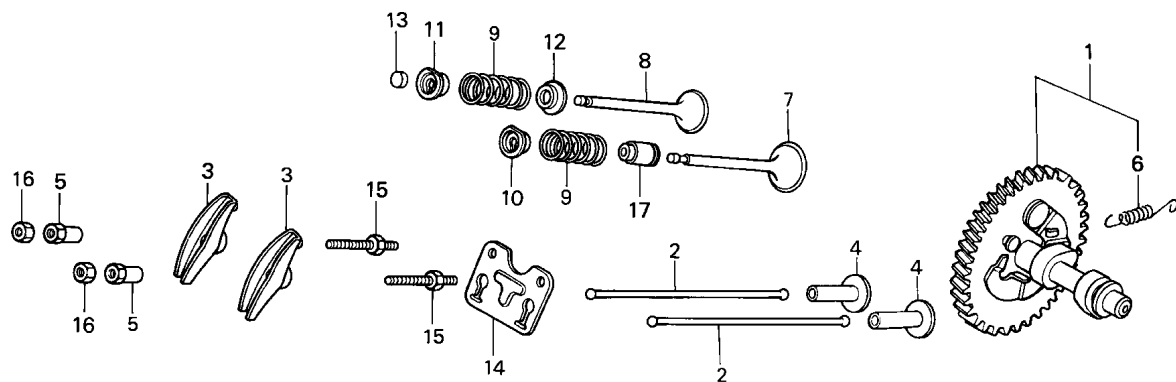
Ref. No.	Part No.	Description	Reqd. QTY			Serial No.	Parts catalogue code
			(1)	(2)	(3)		
1	14100-ZF6-W00	CAMSHAFT ASSY.	1	-	-	EDS7,EDT5,SHEZ,VSB1,VSB3	
			1	-	-	2391939 BJ,EDD2,EDS,EDS1,EDS2,EDS3,EDS5,EDT1,ED6,ED8,ED9,ES1,ES3,ES4,EWS1 EWS3,EWS4,EWS5,HA,HAQ,HA2,HH,HJA,HJA2,HX,LH,LHB1,LHB3,LHC,LHE LHP1,LHW,LJ,LJG,LKE,LKF1,LMH,LTK,LWD,LX,LXE,LXE2,LXE4,LXQ4,LXZ LX2,PA2,PX,PXE,QA,QAE,QAE2,QAE6,QAQ,QA2,QA26,QDW9,QE,QH,QHB3,QHC QHE,QHP1,QH2,QKA2,QKA4,QKE2,QME0,QME1,QMH,QNE,QNE2,QNE6,QNE9,QNR2 QN18,QP,QT,QX,QXB,QXC,QXC4,QXC6,QXC9,QXE,QXEB,QXE2,QXE4,QXE6,QXQ4 SCK4,SE,SH,SHB1,SHB3,SHE,SHQ4,SHW,SJ,SJG,SKA,SMC1,SMD3,SME0,SME6 SMX,SN,SNC,SNC9,SNT2,STC4,SWA4,SWE,SWX,SX,SXB,SXE,SXEB,SXE4,SXP SXQ4,SX2,VA,VAA,VAE,VAG2,VA2,VDE1,VDE2,VE,VH,VHE,VMA2,VMX,VNG1 VNG2,VPE4,VPX4,VSD,VSD4,VTE2,VWA,VWA2,VWT4,VX,VXB,VXE,VXEB,VXE2 VXE4,VXQ4,VXU,VXU1,YJ,ZK1	
			-	1	-	2391939	
			-	-	1	1000025 VXP,VXQP	



E-9

CAMSHAFT

G10



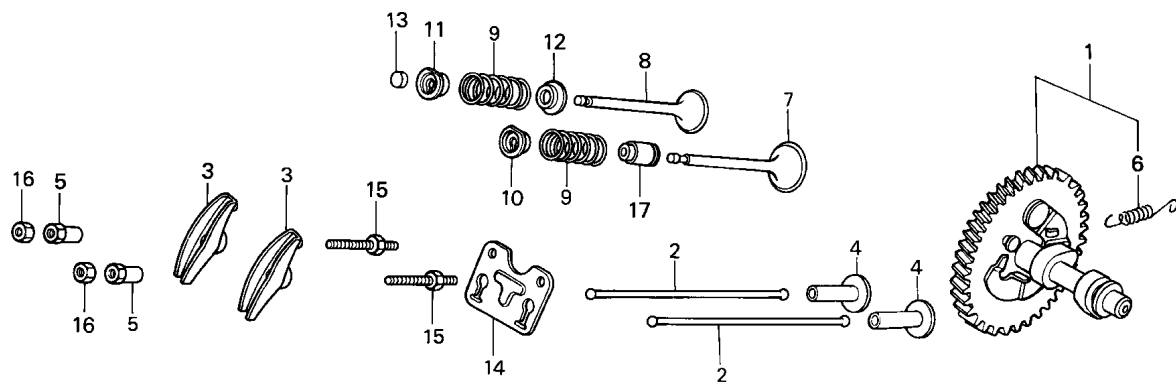
ZF60-E0900



Ref. No.	Part No.	Description	Reqd. QTY			Serial No.	Parts catalogue code	
			(1)	(2)	(3)			
(1)	14100-ZF6-W01	CAMSHAFT ASSY.	1	-	1	-----	EDS6,EDT6,EN6,ES5,LT, LTK1,LWD1,LXE8,LXU,PAE2,PXE8, PXU,QAP,QAW QKB2,QK4,QMP,QND,QNE8,QNK,QNR6,QWA2,QWA4,QWC4,QWH2,QWT2,QXE8,QXS4 QXU,SKAE,SME1,SM11,SM32,SXC,SXE8,SXU,VAA1,VAC2,VAP,VCN2,VC2,VDB2 VD2,VJE2,VJ2,VKB2,VK2,VME2,VMT,VM2,VTE1,VTE5,VXE6,VXE8,VXFB,VXTB VXT1,VX8	
			1	-	-	2391940	-----	BJ,EDD2,EDS,EDS1,EDS2,EDS3,EDS5,EDT1,ED6,ED8,ED9,ES1,ES3,ES4,EWS1 EWS3,EWS4,EWS5,HA,HAQ,HA2,HH,HJA,HJA2,HX,LH,LHB1,LHB3,LHC,LHE LHP1,LHW,LJ,LJG,LKE,LKF1,LMH,LTK,LWD,LX,LXE,LXE2,LXE4,LXQ4,LXZ LX2,PA2,PX,PXE,QA,QAE,QAE2,QAE6,QAQ,QA2,QA26,QDW9,QE,QH,QHB3,QHC QHE,QHP1,QH2,QKA2,QKA4,QKE2,QMED,QME1,QMH,QNE,QNE2,QNE6,QNE9,QNR2 QN18,QP,QT,QX,QXB,QXC,QXC4,QXC6,QXC9,QXE,QXEB,QXE2,QXE4,QXE6,QXQ4 SCK4,SE,SH,SHB1,SHB3,SHE,SHQ4,SHW,SJ,SJG,SKA,SMC1,SMD3,SMEO,SME6 SMX,SN,SNC,SNC9,SNT2,STC4,SWA4,SWE,SWX,SX,SXB,SXE,SXEB,SXE4,SXP SXQ4,SX2,VA,VAA,VAE,VAG2,VA2,VDE1,VDE2,VE,VH,VHE,VMA2,VMX,VNG1 VNG2,VPE4,VPX4,VSD,VSD4,VTE2,VWA,VWA2,VWT4,VX,VXB,VXE,VXEB,VXE2 VXE4,VXQ4,VXU,VXU1,YJ,ZK1
			-	1	-	2391940	-----	VXP,VXQP
			-	-	1	1000026	-----	2393794 LP
	14100-ZF6-L01	1	-	-	2393794	-----	SXK,SXKP,SXK1
	14100-ZF6-L02	1	-	1	-----	-----	LP
			1	-	-	2393795	-----	LP
	14100-ZK6-870	1	-	-	-----	-----	QXB7,QXE7,QXQ7,SXB7,SXE7,VN17,VN27,VPE7,VPX7,VSD7,VXB7,VXE7
2	14410-ZE3-013	ROD, PUSH	2	2	2			
3	14431-ZE2-010	ARM, VALVE ROCKER	2	2	2			
4	14441-ZE2-000	LIFTER, VALVE	2	2	2			
5	14451-ZE1-013	PIVOT, ROCKER ARM	2	2	2			

Ref. No.	Part No.	Description	Reqd. QTY			Serial No.	Parts catalogue code
			(1)	(2)	(3)		
6	14568-ZE1-000	SPRING, WEIGHT RETURN	1	-	1	-----	BJ,EDD2,EDS,EDS1,EDS2,EDS3,EDS5,EDS6,EDS7,EDT1,EDT5,EDT6,ED6,ED8,ED9,EN6,ES1,ES3,ES4,ES5,EWS1,EWS3,EWS4,EWS5,HA,HAQ,HA2,HH,HJA,HJA2,HX,LH,LHB1,LHB3,LHC,LHE,LHP1,LHW,LJ,LJG,LKE,LKF1,LMH,LT,LT,LTK1,LTK1,LWD,LWD1,LX,LXE,LXE2,LXE4,LXE8,LXQ4,LXU,LXZ,LX2,PAE2,PA2,PX,PXE,PXE8,PXU,QA,QAE,QAE2,QAE6,QAP,QAQ,QAW,QA2,QA26,QDW9,QE,QH,QHB3,QHC,QHE,QHP1,QH2,QKA2,QKA4,QKB2,QKE2,QK4,QME0,QME1,QMH,QMP,QND,QNE,QNE2,QNE6,QNE8,QNE9,QNK,QNR2,QNR6,QN18,QP,QT,QWA2,QWA4,QWC4,QWH2,QWT2,QX,QXB,QXB7,QXC,QXC4,QXC6,QXC9,QXE,QXEB,QXE2,QXE4,QXE6,QXE7,QXE8,QXQ4,QXQ7,QXS4,QXU,SCK4,SE,SH,SHB1,SHB3,SHE,SHEZ,SHQ4,SHW,SJ,SJG,SKA,SKAE,SMC1,SMD3,SME0,SME1,SME6,SMX,SM11,SM32,SN,SNC,SNC9,SNT2,STC4,SWA4,SWE,SWX,SX,SXB,SXB7,SXC,SXE,SXEB,SXE4,SXE7,SXE8,SXP,SXQ4,SXU,SX2,VA,VAA,VAAE,VAA1,VAC2,VAG2,VAP,VA2,VCN2,VC2,VDB2,VDE1,VDE2,VD2,VE,VH,VHE,VJE2,VJ2,VKB2,VK2,VMA2,VME2,VMT,VMX,VM2,VNG1,VNG2,VN17,VN27,VPE4,VPE7,VPX4,VPX7,VS1,VS3,VSD4,VSD7,VTE1,VTE2,VTE5,VVA,VVA2,VVT4,VX,VXB,VXB7,VXE,VXEB,VXE2,VXE4,VXE6,VXE7,VXE8,VXFB,VXP,VXQP,VXQ4,VXTB,VXT1,VXU,VXU1,VX8,YJ,ZK1
	14568-ZE3-790	-	1	-	-----	LP,SXK,SXKP,SXK1
7	14711-ZE3-000	VALVE, IN.	1	-	-	-----	BJ,EDD2,EDS,EDS1,EDS2,EDS3,EDS5,EDS6,EDS7,EDT1,EDT5,EDT6,ED6,ED8,ED9,EN6,ES1,ES3,ES4,ES5,EWS1,EWS3,EWS4,EWS5,HA,HAQ,HA2,HH,HJA,HJA2,HX,LH,LHB1,LHB3,LHC,LHE,LHP1,LHW,LJ,LJG,LKE,LKF1,LMH,LP,LT,LTK,LTK1,LWD,LWD1,LX,LXE,LXE2,LXE4,LXE8,LXQ4,LXU,LXZ,LX2,PAE2,PA2,PX,PXE,PXE8,PXU,QA,QAE,QAE2,QAE6,QAQ,QAW,QA2,QA26,QDW9,QE,QH,QHB3,QHC,QHE,QHP1,QH2,QKA2,QKA4,QKB2,QKE2,QK4,QME0,QME1,QMH,QMP,QND,QNE,QNE2,QNE6,QNE8,QNE9,QNK,QNR2,QNR6,QN18,QP,QT,QWA2,QWA4,QWC4,QWH2,QWT2,QX,QXB,QXB7,QXC,QXC4,QXC6,QXC9,QXE,QXEB,QXE2,QXE4,QXE6,QXE7,QXE8,QXQ4,QXQ7,QXS4,QXU,SCK4,SE,SH,SHB1,SHB3,SHE,SHEZ,SHQ4,SHW,SJ,SJG,SKA,SKAE,SMC1,SMD3,SME0,SME1,SME6,SMX,SM11,SM32,SN,SNC,SNC9,SNT2,STC4,SWA4,SWE,SWX,SX,SXB,SXB7,SXC,SXE,SXEB,SXE4,SXE7,SXE8,SXK,SXP,SXQ4,SXU,SX2,VA,VAA,VAAE,VAA1,VAC2,VAG2,VA2,VCN2,VC2,VDB2,VDE1,VDE2,VD2,VE,VH,VHE,VJE2,VJ2,VKB2,VK2,VMA2,VME2,VMT,VMX,VM2,VNG1,VNG2,VN17,VN27,VPE4,VPE7,VPX4,VPX7,VS1,VS3,VSD4,VSD7,VTE1,VTE2,VTE5,VVA,VVA2,VVT4,VX,VXB,VXB7,VXE,VXEB,VXE2,VXE4,VXE6,VXE7,VXE8,VXFB,VXQ4,VXTB,VXT1,VXU,VXU1,VX8,YJ,ZK1
	14711-ZE9-900	VALVE, IN. (STELITE)	-	1	-	-----	SXK1
	14711-ZF6-F00	VALVE, IN. (GAS)	1	-	-	-----	SXK1
8	14721-ZE3-000	VALVE, EX.	1	-	-	-----	BJ,ED8,ED9,ES1,HA,HAQ,HA2,HH,HJA,HJA2,HX,LH,LHB1,LHB3,LHC,LHE,LHP1,LHW,LJ,LJG,LKE,LKF1,LMH,LT,LTK,LTK1,LWD,LWD1,LX,LXE,LXE2,LXE4,LXE8,LXQ4,LXU,LXZ,LX2,PAE2,PA2,PX,PXE,PXE8,PXU,QA,QAE,QAE2,QAE6,QAQ,QAW,QA2,QA26,QDW9,QE,QH,QHB3,QHC,QHE,QHP1,QH2,QKA2,QKA4,QKB2,QKE2,QK4,QME0,QME1,QMH,QMP,QND,QNE,QNE2,QNE6,QNE8,QNE9,QNK,QNR2,QNR6,QN18,QP,QT,QWA2,QWA4,QWC4,QWH2,QWT2,QX,QXB,QXB7,QXC,QXC4,QXC6,QXC9,QXE,QXEB,QXE2,QXE4,QXE6,QXE7,QXE8,QXQ4,QXQ7,QXS4,QXU,SCK4,SE,SH,SHB1,SHB3,SHE,SHEZ,SHQ4,SHW,SJ,SJG,SKA,SKAE,SMC1,SMD3,SME0,SME1,SME6,SMX,SM11,SM32,SN,SNC,SNC9,SNT2,STC4,SWA4,SWE,SWX,SX,SXB,SXB7,SXC,SXE,SXEB,SXE4,SXE7,SXE8,SXK,SXP,SXQ4,SXU,SX2,VA,VAA,VAAE,VAA1,VAC2,VAG2,VA2,VCN2,VC2,VDB2,VDE1,VDE2,VD2,VE,VH,VHE,VJE2,VJ2,VKB2,VK2,VMA2,VME2,VMX,VM2,VNG1,VNG2,VN17,VN27,VPE4,VPE7,VPX4,VPX7,VSD,VSD4,VSD7,VTE1,VTE5,VVA,VVA2,VVT4,VX,VXB,VXB7,VXE,VXEB,VXE2,VXE4,VXE6,VXE7,VXE8,VXFB,VXQ4,VXTB,VXT1,VXU,VXU1,VX8,YJ,ZK1
			1	-	-	-----	2621310 LP
			-	(1)	-	-----	





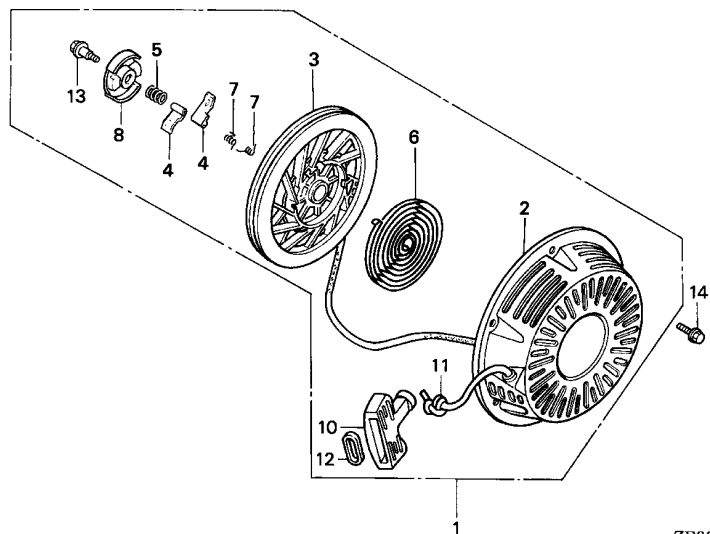
ZF60-E0900



Ref. No.	Part No.	Description	Reqd. QTY			Serial No.	Parts catalogue code
			GX390K1	(1)	(2)		
(8)	14721-ZE3-810	VALVE, EX. (STELITE)	1	-	-	-----	EDD2,EDS,EDS1,EDS2,EDS3,EDS5,EDS6,EDS7,EDT1,EDT5,EDT6,ED6,EN6,ES3,ES4,ES5,EWS1,EWS3,EWS4,EWS5,VMT,VSB1,VSB3,VTE2
			1	-	-	2621311 3172822	LP
			-	(1)	-		
	14721-ZE9-900	-	-	1		
	14721-ZK6-800	VALVE, EX.	1	-	-	3172823	----- LP
	14721-ZF6-F00	VALVE, EX. (GAS)	1	-	-	-----	SXX1
9	14751-ZE2-003	SPRING, VALVE	2	2	2		
10	14771-ZE2-000	RETAINER, IN. VALVE SPRING ..	1	1	1		
11	14773-ZE2-000	RETAINER, EX. VALVE SPRING ..	1	-	-	-----	BJ,EDD2,EDS,EDS1,EDS2,EDS3,EDS5,EDS6,EDS7,EDT1,EDT5,EDT6,ED6,ED8,ED9,EN6,ES1,ES3,ES4,ES5,EWS1,EWS3,EWS4,EWS5,HA,HAQ,HA2,HH,HJA,HJA2,HX,LH,LHB1,LHB3,LHC,LHE,LHP1,LHW,LJ,LJG,LKE,LKF1,LMH,LP,LT,LTK,LTk1,LWD,LWD1,LX,LXE,LXE2,LXE4,LXE8,LXQ4,LXU,LXZ,LX2,PAE2,PA2,PX,PXE,PXE8,PXU,QA,QAE,QAE2,QAE6,QAQ,QAW,QA2,QA26,QDW9,QE,QH,QHB3,QHC,QHE,QHP1,QH2,QKA2,QKA4,QKB2,QKE2,QK4,QMED,QME1,QMH,QMP,QND,QNE,QNE2,QNE6,QNE8,QNE9,QNK,QNR2,QNR6,QN18,QP,QT,QWA2,QWA4,QWC4,QWH2,QWT2,QX,QXB,QXB7,QXC,QXC4,QXC6,QXC9,QXE,QXEB,QXE2,QXE4,QXE6,QXE7,QXE8,QXQ4,QXQ7,QXS4,QXU,SCK4,SE,SH,SHB1,SHB3,SHE,SHE2,SHQ4,SHW,SJ,SJG,SKA,SKAE,SMC1,SMD3,SME0,SME1,SME6,SMX,SM11,SM32,SN,SNC,SNC9,SNT2,STC4,SWA4,SWE,SWX,SX,SXB,SXB7,SXC,SXE,SXEB,SXE4,SXE7,SXE8,SXX,SXP,SXQ4,SXU,SX2,VA,VAA,VAAE,VAA1,VAC2,VAG2,VA2,VCN2,VC2,VDB2,VDE1,VDE2,VD2,VE,VH,VHE,VJE2,VJ2,VKB2,VK2,VMA2,VME2,VMT,VMX,VM2,VNG1,VNG2,VN17,VN27,VPE4,VPE7,VPX4,VPX7,VSB1,VSB3,VSD,VSD4,VSD7,VTE1,VTE2,VTE5,VWA,VWA2,VWT4,VX,VXB,VXB7,VXE,VXEB,VXE2,VXE4,VXE6,VXE7,VXE8,VXFB,VXQ4,VXTB,VXT1,VXU,VXU1,VX8,YJ,ZK1
			-	1	-	-----	SXX1
	14771-ZE2-000	RETAINER, IN. VALVE SPRING ..	1	-	-	-----	SXX1
			-	-	1		

Ref. No.	Part No.	Description	Reqd. QTY			Serial No.	Parts catalogue code
			GX390K1 (1)	(2)	(3)		
12	14775-ZE2-010	SEAT, VALVE SPRING	1	1	1		
13	14781-ZE2-000	ROTATOR, VALVE	1	-	-	-----	BJ,EDD2,EDS,EDS1,EDS2,EDS3,EDS5,EDS6,EDS7,EDT1,EDT5,EDT6,ED6,ED8 ED9,EN6,ES1,ES3,ES4,ES5,ESW1,ESW3,ESW4,ESW5,HA,HAQ,HA2,HH,HJA HJA2,HX,LH,LHB1,LHB3,LHC,LHE,LHP1,LHW,LJ,LJG,LKE,LKF1,LMH,LP,LT LTK,LTK1,LWD,LWD1,LX,LXE,LXE2,LXE4,LXE8,LXQ4,LXU,LXZ,LX2,PAE2,PA2 PX,PXE,PXE8,PXU,QA,QAE,QAE2,QAE6,QAQ,QAW,QA2,QA26,QDW9,QE,QH,QHB3 QHC,QHE,QHP1,QH2,QKA2,QKA4,QKB2,QKE2,QK4,QME0,QME1,QMH,QMP,QND QNE,QNE2,QNE6,QNE8,QNE9,QNK,QNR2,QNR6,QN18,QP,QT,QWA2,QWA4,QWC4 QWH2,QWT2,QX,QXB,QXB7,QXC,QXC4,QXC6,QXC9,QXE,QXEB,QXE2,QXE4,QXE6 QXE7,QXE8,QXQ4,QXQ7,QXS4,QXU,SCK4,SE,SH,SHB1,SHB3,SHE,SHEZ,SHQ4 SHW,SJ,SJG,SKA,SKAE,SMC1,SMD3,SME0,SME1,SME6,SMX,SM11,SM32,SN,SNC SNC9,SNT2,STC4,SWA4,SWE,SWX,SX,SXB,SXB7,SXC,SXE,SXEB,SXE4,SXE7 SXEB,SXK,SXP,SXQ4,SXU,SX2,VA,VAA,VAAE,VAA1,VAC2,VAG2,VA2,VCN2,VC2 VDB2,VDE1,VDE2,VD2,VE,VH,VHE,VJE2,VJ2,VKB2,VK2,VMA2,VME2,VMT,VMX VM2,VNG1,VNG2,VN17,VN27,VPE4,VPE7,VPX4,VPX7,VS11,VS3,VS4,VS4 VSD7,VTE1,VTE2,VTE5,VWA,VWA2,VWT4,VX,VXB,VXB7,VXE,VXEB,VXE2,VXE4 VXE6,VXE7,VXE8,VXFB,VXQ4,VXTB,VXT1,VXU,VXU1,VX8,YJ,ZK1
			-	1	-		
14	14791-ZE2-010	PLATE, PUSH ROD GUIDE	1	1	1		
15	90012-ZE0-010	BOLT, PIVOT, 8MM	2	2	2		
16	90206-ZE1-000	NUT, PIVOT ADJUSTING	2	2	2		
17	12209-ZE8-003	SEAL, VALVE STEM	1	1	-	3065844	----- EDD2,EDS1,EDS2,EDT1,ED6,HA2,HJA2,LJ,LJG,LKF1,LTK,LTK1,LWD,LWD1 LXE2,LX2,PAE2,PA2,QAE2,QAW,QA2,QDW9,QKB2,QND,QNE2,QNE9,QNK,QNR2 QWA2,QWA4,QWC4,QWH2,QXC,QXC9,SHW,SJ,SJG,SME1,SM11,SM32,SXK,VAC2 VAG2,VA2,VCN2,VDB2,VDE2,VD2,VJE2,VJ2,VKB2,VMA2,VME2,VM2,VWA2,VXE VXE2,V1,ZK1
			1	-	-	-----	EN6,QWT2,QXB7,QXE7,QXQ7,QXS4,SXB7,SXC,SXE7,SXK1,VAA1,VC2,VK2,VN17 VN27,VPE7,VPX7,VSD7,VXB7,VXE7
			-	-	1	1003428	----- QAP,SXKP





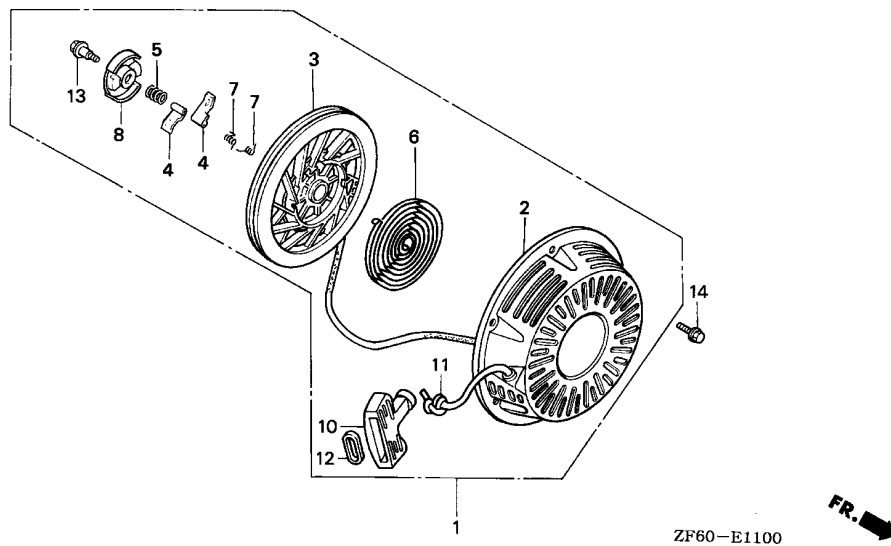
ZF60-E1100

Service item	F.R.T.
GRIP, STARTER	0.1
.STARTER ASSY., RECOIL	
RATCHET, STARTER	0.2
.RETAINER, SPRING	
.SPRING, RATCHET	
PULLEY, RECOIL STARTER	0.3
.ROPE, RECOIL STARTER	
.SPRING, STARTER RETURN	

Ref. No.	Part No.	Description	Reqd. QTY GX390K1 (1) (2) (3)	Serial No.	Parts catalogue code
1	28400-ZE3-W01ZA	STARTER ASSY., RECOIL *R8*.....BRIGHT RED	1 - 1	-----	BJ,EDD2,EDS,EDS1,EDS3,EDT1,ED6,ED8,ED9,ES1,ES3,ES4,EWS1,EWS3,EWS4 EWS5,HA,HAQ,HA2,HH,HJA,HJA2,HX,LH,LHB1,LHB3,LHC,LHE,LHP1,LHW,LJ LJG,LMH,LP,LT,LX,LXE,LXE2,LXE4,LXE8,LXQ4,LXU,LXZ,LX2,PAE2,PA2,PX PXE,PXE8,PXU,QA,QAE,QAE2,QAE6,QAP,QAQ,QAW,QA2,QA26,QE,QH,QHB3,QHC QHE,QHP1,QH2,QKA2,QKA4,QKB2,QKE2,QK4,QMED,QME1,QMH,QMP,QND,QNE QNE2,QNE6,QNE8,QNE9,QNK,QNR2,QNR6,QN18,QP,QT,QX,QXB,QXB7,QXC,QXC4 QXC6,QXC9,QXE,QXEB,QXE2,QXE4,QXE6,QXE7,QXE8,QXQ4,QXQ7,QXS4,QXU SCK4,SE,SH,SHB1,SHB3,SHE,SHEZ,SHQ4,SJ,SJG,SKA,SMC1,SMD3,SMEO,SME1 SME6,SMX,SM11,SN,SNC,SNC9,SNT2,STC4,SWA4,SWE,SWX,SX,SXB,SXB7,SXC SXE,SXEB,SXE4,SXE7,SXE8,SXP,SXQ4,SXU,SX2,VA,VAA,VAE,VAA1,VAC2 VAG2,VAP,VA2,VCN2,VC2,VDB2,VDE1,VDE2,VD2,VE,VH,VHE,VJE2,VJ2,VKB2 VK2,VMA2,VMT,VMX,VNG1,VN17,VPE4,VPE7,VPX4,VPX7,VS1,VS3,VSD,VSD4 VSD7,VTE1,VTE2,VTE5,VWA,VWT4,VX,VXB,VXB7,VXE,VXEB,VXE2,VXE4,VXE6 VXE7,VXE8,VXFB,VXP,VXQP,VXQ4,VXTB,VXT1,VXU,VXU1,VX8,YJ
	28400-ZE3-W01ZB	*NH1*.....BLACK	1 (1)	-----	EDD2,EDS1,EDS2,EDS3,EDS6,EDS7,EDT1,EDT5,EDT6,ED6,ED8,ED9,EN6,EWS3 EWS4,EWS5,HAQ,PX,PXU,QAQ,QA2,QDW9,QNE9,QNR2,QWA4,QWC4,QWH2,QWT2 QX,QXC9,QXQ4,QXU,SME6,SM32,SWA4,S1,VNG2,VN27,VSD,VSD7 QA2
	28400-ZE3-W01ZC	*T34*.....SIMPSON BLUE	1 -	-----	VNG2,VXE4,V1
	28400-ZE3-W01ZD	*T39*.....GEKO BLUE	1 (1)	2066081	VNG1,VXE,VXEB
	28400-ZE3-W01ZH	*NH105*...MAT BLACK (#15-#20)	1 -	-----	QWA2,VDE2,VME2,VM2,VWA2,VXE,VXE2,VXE4,VXE7
	28400-ZE3-W01ZK	*T68*.....TSURUMI BLUE	1 -	-----	EDD2,ED6
	28400-ZE3-W01ZL	*Y131*.....LIGHTNING YELLOW	1 -	-----	EDD2,ED6,ES3,ES4
	28400-ZE3-W01ZM	*T77*.....SEC WINE RED	1 -	-----	ES3,ES4,ES5,EWS1,EWS3,EWS4,EWS5
	28400-ZE3-W01ZN	*T80*.....BAKELITE ORANGE	1 -	-----	ED6,ES3,ES4

Ref. No.	Part No.	Description	Reqd. QTY			Serial No.	Parts catalogue code
			(1)	(2)	(3)		
2	28410-ZE3-W01ZA	CASE COMP., RECOIL STARTER *R8*.....BRIGHT RED	1	-	1	-----	BJ, EDD2, EDS, EDS1, EDS3, EDT1, ED6, ED8, ED9, ES1, ES3, ES4, EWS1, EWS3, EWS4, EWS5, HA, HAQ, HA2, HH, HJA, HJA2, HX, LH, LHB1, LHB3, LHC, LHE, LHP1, LHW, LJ, LJG, LMH, LP, LT, LX, LXE, LXE2, LXE4, LXE8, LXQ4, LXU, LXZ, LX2, PAE2, PA2, PX, PXE, PXE8, PXU, QA, QAE, QAE2, QAE6, QAP, QAQ, QAW, QA2, QA26, QE, QH, QHB3, QHC, QHE, QHP1, QH2, QKA2, QKA4, QKB2, QKE2, QK4, QMEO, QME1, QMH, QMP, QND, QNE, QNE2, QNE6, QNE8, QNE9, QNK, QNR2, QNR6, QN18, QP, QT, QX, QXB, QXB7, QXC, QXC4, QXC6, QXC9, QXE, QXEB, QXE2, QXE4, QXE6, QXE7, QXE8, QXQ4, QXQ7, QXS4, QXU, SCK4, SE, SH, SHB1, SHB3, SHE, SHEZ, SHQ4, SJ, SJG, SKA, SMC1, SMD3, SME0, SME1, SME6, SMX, SM11, SN, SNC, SNC9, SNT2, STC4, SWA4, SWE, SWX, SX, SXB, SXB7, SXC, SXE, SXEB, SXE4, SXE7, SXE8, SXP, SXQ4, SXU, SX2, VA, VAA, VAAE, VAA1, VAC2, VAG2, VAP, VA2, VCN2, VC2, VDB2, VDE1, VDE2, VD2, VE, VH, VHE, VJE2, VJ2, VKB2, VK2, VMA2, VMT, VMX, VNG1, VN17, VPE4, VPE7, VPX4, VPX7, VSB1, VSB3, VSD, VSD4, VSD7, VTE1, VTE2, VTE5, VWA, VWT4, VX, VXB, VXB7, VXE, VXEB, VXE2, VXE4, VXE6, VXE7, VXE8, VXF8, VXP, VXQ4, VXTB, VXT1, VXU, VXU1, VX8, YJ
	28410-ZE3-W01ZB	*NH1*.....BLACK	1	(1)	-	-----	EDD2, EDS1, EDS2, EDS3, EDS6, EDS7, EDT1, EDT5, EDT6, ED6, ED8, ED9, EN6, EWS3, EWS4, EWS5, HAQ, PX, PXU, QAQ, QA2, QDW9, QNE9, QNR2, QWA4, QWC4, QWH2, QWT2, QX, QXC9, QXQ4, QXU, SME6, SM32, SWA4, S1, VNG2, VN27, VSD, VSD7
	28410-ZE3-W01ZD	*T34*.....SIMPSON BLUE	1	(1)	-	-----	QA2, V1
	28410-ZE3-W01ZE	*T39*.....GEKO BLUE	1	-	-	-----	VNG2, VXE4
			1	-	-	2066081	VNG1, VXE, VXEB
			-	(1)	-	2066123	V1
	28410-ZE3-W01ZH	*NH105*...MAT BLACK (#15-#20)	1	-	-	-----	QWA2, VDE2, VME2, VM2, VWA2, VXE, VXE2, VXE4, VXE7
	28410-ZE3-W01ZK	*T68*.....TSURUMI BLUE	1	-	-	-----	EDD2, ED6
	28410-ZE3-W01ZL	*Y131*.....LIGHTNING YELLOW	1	-	-	-----	EDD2, ED6, ES3, ES4
	28410-ZE3-W01ZM	*T77*.....SEC WINE RED	1	-	-	-----	ES3, ES4, ES5, EWS1, EWS3, EWS4, EWS5
	28410-ZE3-W01ZN	*T80*.....BAKELITE ORANGE	1	-	-	-----	ED6, ES3, ES4
3	28421-ZE3-W01	PULLEY, RECOIL STARTER	1	1	1	-----	BJ, EDD2, EDS, EDS1, EDS2, EDS3, EDS6, EDS7, EDT1, EDT5, EDT6, ED6, ED8, ED9, EN6, ES1, ES3, ES4, ES5, EWS1, EWS3, EWS4, EWS5, HA, HAQ, HA2, HH, HJA, HJA2, HX, LH, LHB1, LHB3, LHC, LHE, LHP1, LHW, LJ, LJG, LMH, LP, LT, LX, LXE, LXE2, LXE4, LXE8, LXQ4, LXU, LXZ, LX2, L1, PAE2, PA2, PX, PXE, PXE8, PXU, QA, QAE, QAE2, QAE6, QAP, QAQ, QAW, QA2, QA26, QDW9, QE, QH, QHB3, QHC, QHE, QHP1, QH2, QKA2, QKA4, QKB2, QKE2, QK4, QMEO, QME1, QMH, QMP, QND, QNE, QNE2, QNE6, QNE8, QNE9, QNK, QNR2, QNR6, QN18, QP, QT, QWA2, QWA4, QWC4, QWH2, QWT2, QX, QXB, QXB7, QXC, QXC4, QXC6, QXC9, QXE, QXEB, QXE2, QXE4, QXE6, QXE7, QXE8, QXQ4, QXQ7, QXS4, QXU, SCK4, SE, SH, SHB1, SHB3, SHE, SHEZ, SHQ4, SJ, SJG, SKA, SMC1, SMD3, SME0, SME1, SME6, SMX, SM11, SM32, SN, SNC, SNC9, SNT2, STC4, SWA4, SWE, SWX, SX, SXB, SXB7, SXC, SXE, SXEB, SXE4, SXE7, SXE8, SXP, SXQ4, SXU, SX2, S1, VA, VAA, VAAE, VAA1, VAC2, VAG2, VAP, VA2, VCN2, VC2, VDB2, VDE1, VDE2, VD2, VE, VH, VHE, VJE2, VJ2, VKB2, VK2, VMA2, VME2, VMT, VMX, VM2, VNG1, VNG2, VN17, VN27, VPE4, VPE7, VPX4, VPX7, VSB1, VSB3, VSD, VSD4, VSD7, VTE1, VTE2, VTE5, VWA, VWA2, VWT4, VX, VXB, VXB7, VXE, VXEB, VXE2, VXE4, VXE6, VXE7, VXE8, VXF8, VXP, VXQ4, VXTB, VXT1, VXU, VXU1, VX8, YJ
			-	(1)	-	-----	Q1, V1



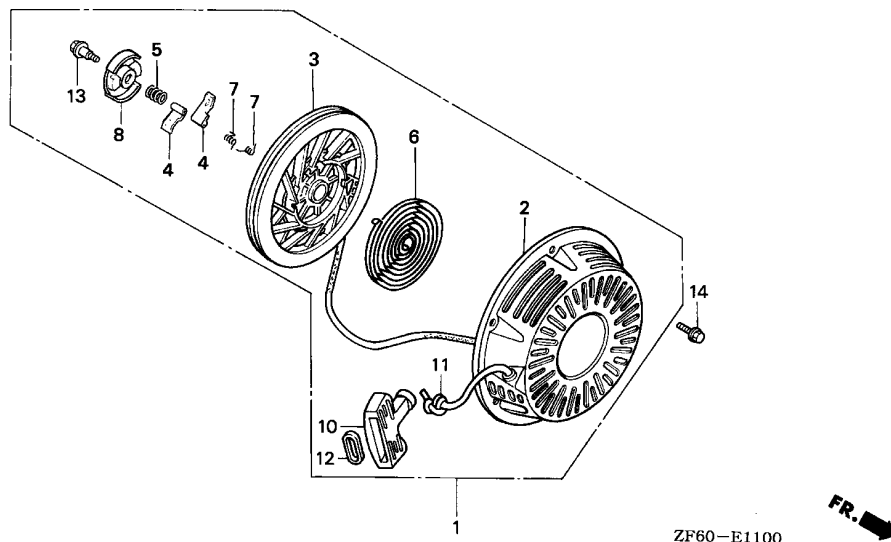


ZF60-E1100

Ref. No.	Part No.	Description	Reqd. QTY			Serial No.	Parts catalogue code
			(1)	(2)	(3)		
4	28422-ZE2-W01	RATCHET, STARTER	2	2	2	-----	BJ,EDD2,EDS,EDS1,EDS2,EDS3,EDS6,EDS7,EDT1,EDT5,EDT6,ED6,ED8,ED9,EN6,ES1,ES3,ES4,ES5,EWS1,EWS3,EWS4,EWS5,HA,HAQ,HA2,HH,HJA,HJA2,HXLH,LHB1,LHB3,LHC,LHE,LHP1,LHW,LJ,LJG,LMH,LP,LT,LX,LXE,LXE2,LXE4,LXE8,LXQ4,LXU,LXZ,LX2,L1,PAE2,PA2,PX,PXE,PXE8,PXU,QA,QAE,QAE2,QAE6,QAP,QAQ,QAW,QA2,QA26,QDW9,QE,QH,QHB3,QHC,QHE,QHP1,QH2,QKA2,QKA4,QKB2,QKE2,QK4,QME0,QME1,QMH,QMP,QND,QNE,QNE2,QNE6,QNE8,QNE9,QNK,QNR2,QNR6,QN18,QP,QT,QWA2,QWA4,QWC4,QWH2,QWT2,QX,QXB,QXB7,QXC,QXC4,QXC6,QXC9,QXE,QXEB,QXE2,QXE4,QXE6,QXE7,QXE8,QXQ4,QXQ7,QXS4,QXU,SCK4,SE,SH,SHB1,SHB3,SHE,SHEZ,SHQ4,SJ,SJG,SKA,SMC1,SMD3,SME0,SME1,SME6,SMX,SM11,SM32,SN,SNC,SNC9,SNT2,STC4,SWA4,SWE,SWX,SX,SXB,SXB7,SXC,SXE,SXEB,SXE4,SXE7,SXE8,SXP,SXQ4,SXU,SX2,S1,VA,VAA,VAE,VAA1,VAC2,VAG2,VAP,VA2,VCN2,VC2,VDB2,VDE1,VDE2,VD2,VE,VH,VHE,VJE2,VJ2,VKB2,VK2,VMA2,VME2,VMT,VMX,VM2,VNG1,VNG2,VN17,VN27,VPE4,VPE7,VPX4,VPX7,VSB1,VSB3,VSD,VSD4,VSD7,VTE1,VTE2,VTE5,VVA,VVA2,VWT4,VX,VXB,VXB7,VXE,VXEB,VXE2,VXE4,VXE6,VXE7,VXE8,VXFB,VXP,VXQP,VXQ4,VXTB,VXT1,VXU,VXU1,VX8,YJ
			- (2) -			-----	Q1,V1

Ref. No.	Part No.	Description	Reqd. QTY			Serial No.	Parts catalogue code
			GX390K1	(1)	(2)		
5	28441-ZE2-W01	SPRING, FRICTION	1	1	1	-----	BJ,EDD2,EDS,EDS1,EDS2,EDS3,EDS6,EDS7,EDT1,EDT5,EDT6,ED6,ED8,ED9,EN6,ES1,ES3,ES4,ES5,EWS1,EWS3,EWS4,EWS5,HA,HAQ,HA2,HH,HJA,HJA2,HX,LH,LHB1,LHB3,LHC,LHE,LHP1,LHW,LJ,LJG,LMH,LP,LT,LX,LXE,LXE2,LXE4,LXE8,LXQ4,LXU,LXZ,LX2,L1,PAE2,PA2,PX,PXE,PXE8,PXU,QA,QAE,QAE2,QAE6,QAP,QAQ,QAW,QA2,QA26,QDW9,QE,QH,QHB3,QHC,QHE,QHP1,QH2,QKA2,QKA4,QKB2,QKE2,QK4,QMEO,QME1,QMH,QMP,QND,QNE,QNE2,QNE6,QNE8,QNE9,QNK,QNR2,QNR6,QN18,QP,QT,QWA2,QWA4,QWC4,QWH2,QWT2,QX,QXB,QXB7,QXC,QXC4,QXC6,QXC9,QXE,QXEB,QXE2,QXE4,QXE6,QXE7,QXE8,QXQ4,QXQ7,QXS4,QXU,SCK4,SE,SH,SHB1,SHB3,SHE,SHEZ,SHQ4,SJ,SJG,SKA,SMC1,SMD3,SME0,SME1,SME6,SMX,SM11,SM32,SN,SNC,SNC9,SNT2,STC4,SWA4,SWE,SWX,SW,SXB,SXB7,SXC,SXE,SXEB,SXE4,SXE7,SXE8,SXP,SXQ4,SXU,FX2,S1,VA,VAE,VAE1,VAE2,VAE3,VAE4,VAE5,VAE6,VAE7,VAE8,VAE9,VAE10,VAE11,VAE12,VAE13,VAE14,VAE15,VAE16,VAE17,VAE18,VAE19,VAE20,VAE21,VAE22,VAE23,VAE24,VAE25,VAE26,VAE27,VAE28,VAE29,VAE30,VAE31,VAE32,VAE33,VAE34,VAE35,VAE36,VAE37,VAE38,VAE39,VAE40,VAE41,VAE42,VAE43,VAE44,VAE45,VAE46,VAE47,VAE48,VAE49,VAE50,VAE51,VAE52,VAE53,VAE54,VAE55,VAE56,VAE57,VAE58,VAE59,VAE60,VAE61,VAE62,VAE63,VAE64,VAE65,VAE66,VAE67,VAE68,VAE69,VAE70,VAE71,VAE72,VAE73,VAE74,VAE75,VAE76,VAE77,VAE78,VAE79,VAE80,VAE81,VAE82,VAE83,VAE84,VAE85,VAE86,VAE87,VAE88,VAE89,VAE90,VAE91,VAE92,VAE93,VAE94,VAE95,VAE96,VAE97,VAE98,VAE99,VAE100,VJ2,VKB2,VK2,VMA2,VME2,VMT,VMX,VM2,VNG1,VNG2,VN17,VN27,VPE4,VPE7,VPX4,VPX7,VSB1,VSB3,VSD,VSD4,VSD7,VTE1,VTE2,VTE5,VVA,VVA2,VWT4,VX,VXB,VXB7,VXE,VXEB,VXE2,VXE4,VXE6,VXE7,VXE8,VXFB,VXP,VXQP,VXQ4,VXTB,VXT1,VXU,VXU1,VX8,YJ
			-	(1)	-	-----	Q1,V1
6	28442-ZE2-W01	SPRING, STARTER RETURN	1	1	1	-----	BJ,EDD2,EDS,EDS1,EDS2,EDS3,EDS6,EDS7,EDT1,EDT5,EDT6,ED6,ED8,ED9,EN6,ES1,ES3,ES4,ES5,EWS1,EWS3,EWS4,EWS5,HA,HAQ,HA2,HH,HJA,HJA2,HX,LH,LHB1,LHB3,LHC,LHE,LHP1,LHW,LJ,LJG,LMH,LP,LT,LX,LXE,LXE2,LXE4,LXE8,LXQ4,LXU,LXZ,LX2,L1,PAE2,PA2,PX,PXE,PXE8,PXU,QA,QAE,QAE2,QAE6,QAP,QAQ,QAW,QA2,QA26,QDW9,QE,QH,QHB3,QHC,QHE,QHP1,QH2,QKA2,QKA4,QKB2,QKE2,QK4,QMEO,QME1,QMH,QMP,QND,QNE,QNE2,QNE6,QNE8,QNE9,QNK,QNR2,QNR6,QN18,QP,QT,QWA2,QWA4,QWC4,QWH2,QWT2,QX,QXB,QXB7,QXC,QXC4,QXC6,QXC9,QXE,QXEB,QXE2,QXE4,QXE6,QXE7,QXE8,QXQ4,QXQ7,QXS4,QXU,SCK4,SE,SH,SHB1,SHB3,SHE,SHEZ,SHQ4,SJ,SJG,SKA,SMC1,SMD3,SME0,SME1,SME6,SMX,SM11,SM32,SN,SNC,SNC9,SNT2,STC4,SWA4,SWE,SWX,SW,SXB,SXB7,SXC,SXE,SXEB,SXE4,SXE7,SXE8,SXP,SXQ4,SXU,FX2,S1,VA,VAE,VAE1,VAE2,VAE3,VAE4,VAE5,VAE6,VAE7,VAE8,VAE9,VAE10,VAE11,VAE12,VAE13,VAE14,VAE15,VAE16,VAE17,VAE18,VAE19,VAE20,VAE21,VAE22,VAE23,VAE24,VAE25,VAE26,VAE27,VAE28,VAE29,VAE30,VAE31,VAE32,VAE33,VAE34,VAE35,VAE36,VAE37,VAE38,VAE39,VAE40,VAE41,VAE42,VAE43,VAE44,VAE45,VAE46,VAE47,VAE48,VAE49,VAE50,VAE51,VAE52,VAE53,VAE54,VAE55,VAE56,VAE57,VAE58,VAE59,VAE60,VAE61,VAE62,VAE63,VAE64,VAE65,VAE66,VAE67,VAE68,VAE69,VAE70,VAE71,VAE72,VAE73,VAE74,VAE75,VAE76,VAE77,VAE78,VAE79,VAE80,VAE81,VAE82,VAE83,VAE84,VAE85,VAE86,VAE87,VAE88,VAE89,VAE90,VAE91,VAE92,VAE93,VAE94,VAE95,VAE96,VAE97,VAE98,VAE99,VAE100,VJ2,VKB2,VK2,VMA2,VME2,VMT,VMX,VM2,VNG1,VNG2,VN17,VN27,VPE4,VPE7,VPX4,VPX7,VSB1,VSB3,VSD,VSD4,VSD7,VTE1,VTE2,VTE5,VVA,VVA2,VWT4,VX,VXB,VXB7,VXE,VXEB,VXE2,VXE4,VXE6,VXE7,VXE8,VXFB,VXP,VXQP,VXQ4,VXTB,VXT1,VXU,VXU1,VX8,YJ
			-	(1)	-	-----	Q1,V1
7	28443-ZE2-W01	SPRING, RATCHET	2	2	2	-----	BJ,EDD2,EDS,EDS1,EDS2,EDS3,EDS6,EDS7,EDT1,EDT5,EDT6,ED6,ED8,ED9,EN6,ES1,ES3,ES4,ES5,EWS1,EWS3,EWS4,EWS5,HA,HAQ,HA2,HH,HJA,HJA2,HX,LH,LHB1,LHB3,LHC,LHE,LHP1,LHW,LJ,LJG,LMH,LP,LT,LX,LXE,LXE2,LXE4,LXE8,LXQ4,LXU,LXZ,LX2,L1,PAE2,PA2,PX,PXE,PXE8,PXU,QA,QAE,QAE2,QAE6,QAP,QAQ,QAW,QA2,QA26,QDW9,QE,QH,QHB3,QHC,QHE,QHP1,QH2,QKA2,QKA4,QKB2,QKE2,QK4,QMEO,QME1,QMH,QMP,QND,QNE,QNE2,QNE6,QNE8,QNE9,QNK,QNR2,QNR6,QN18,QP,QT,QWA2,QWA4,QWC4,QWH2,QWT2,QX,QXB,QXB7,QXC,QXC4,QXC6,QXC9,QXE,QXEB,QXE2,QXE4,QXE6,QXE7,QXE8,QXQ4,QXQ7,QXS4,QXU,SCK4,SE,SH,SHB1,SHB3,SHE,SHEZ,SHQ4,SJ,SJG,SKA,SMC1,SMD3,SME0,SME1,SME6,SMX,SM11,SM32,SN,SNC,SNC9,SNT2,STC4,SWA4,SWE,SWX,SW,SXB,SXB7,SXC,SXE,SXEB,SXE4,SXE7,SXE8,SXP,SXQ4,SXU,FX2,S1,VA,VAE,VAE1,VAE2,VAE3,VAE4,VAE5,VAE6,VAE7,VAE8,VAE9,VAE10,VAE11,VAE12,VAE13,VAE14,VAE15,VAE16,VAE17,VAE18,VAE19,VAE20,VAE21,VAE22,VAE23,VAE24,VAE25,VAE26,VAE27,VAE28,VAE29,VAE30,VAE31,VAE32,VAE33,VAE34,VAE35,VAE36,VAE37,VAE38,VAE39,VAE40,VAE41,VAE42,VAE43,VAE44,VAE45,VAE46,VAE47,VAE48,VAE49,VAE50,VAE51,VAE52,VAE53,VAE54,VAE55,VAE56,VAE57,VAE58,VAE59,VAE60,VAE61,VAE62,VAE63,VAE64,VAE65,VAE66,VAE67,VAE68,VAE69,VAE70,VAE71,VAE72,VAE73,VAE74,VAE75,VAE76,VAE77,VAE78,VAE79,VAE80,VAE81,VAE82,VAE83,VAE84,VAE85,VAE86,VAE87,VAE88,VAE89,VAE90,VAE91,VAE92,VAE93,VAE94,VAE95,VAE96,VAE97,VAE98,VAE99,VAE100,VJ2,VKB2,VK2,VMA2,VME2,VMT,VMX,VM2,VNG1,VNG2,VN17,VN27,VPE4,VPE7,VPX4,VPX7,VSB1,VSB3,VSD,VSD4,VSD7,VTE1,VTE2,VTE5,VVA,VVA2,VWT4,VX,VXB,VXB7,VXE,VXEB,VXE2,VXE4,VXE6,VXE7,VXE8,VXFB,VXP,VXQP,VXQ4,VXTB,VXT1,VXU,VXU1,VX8,YJ
			-	(2)	-	-----	Q1,V1

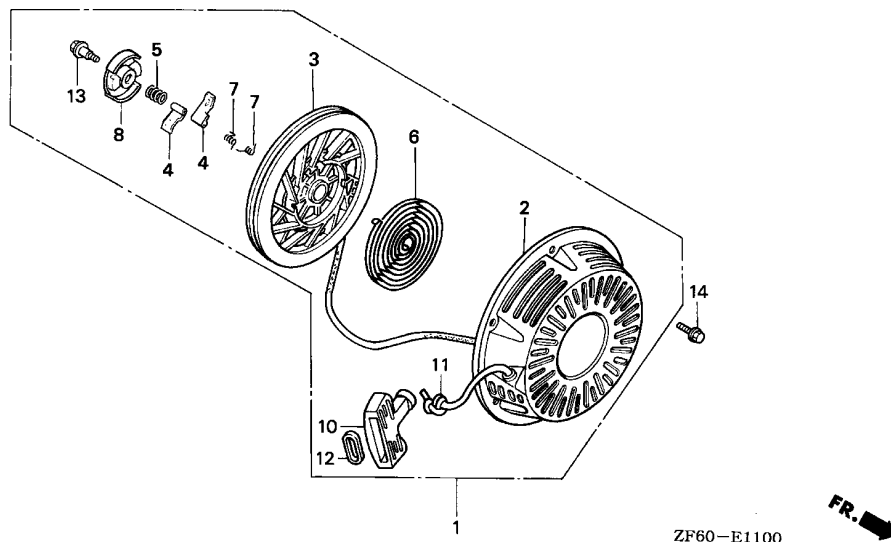




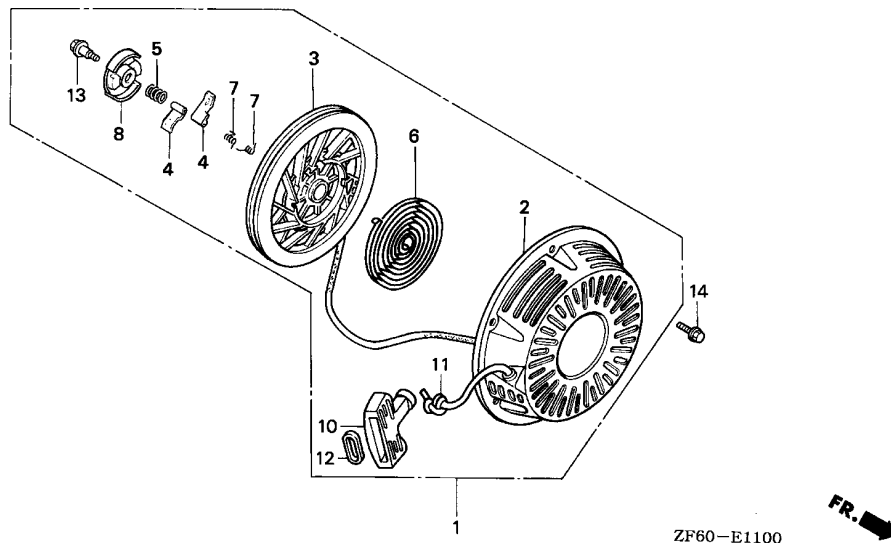
Ref. No.	Part No.	Description	Reqd. QTY			Serial No.	Parts catalogue code
			(1)	(2)	(3)		
8	28444-ZE2-W01	RETAINER, SPRING	1	1	1	-----	BJ,EDD2,EDS,EDS1,EDS2,EDS3,EDS6,EDS7,EDT1,EDT5,EDT6,ED6,ED8,ED9,EN6,ES1,ES3,ES4,ES5,EWS1,EWS3,EWS4,EWS5,HA,HAQ,HA2,HH,HJA,HJA2,HX,LH,LHB1,LHB3,LHC,LHE,LHP1,LHW,LJ,LJG,LMH,LP,LT,LX,LXE,LXE2,LXE4,LXE8,LXQ4,LXU,LXZ,LX2,L1,PAE2,PA2,PX,PXE,PXE8,PXU,QA,QAE,QAE2,QAE6,QAP,QAQ,QAW,QA2,QA26,QDW9,QE,QH,QHB3,QHC,QHE,QHP1,QH2,QKA2,QKA4,QKB2,QKE2,QK4,QME0,QME1,QMH,QMP,QND,QNE,QNE2,QNE6,QNE8,QNE9,QNK,QNR2,QNR6,QN18,QP,QT,QWA2,QWA4,QWC4,QWH2,QWT2,QX,QXB,QXB7,QXC,QXC4,QXC6,QXC9,QXE,QXEB,QXE2,QXE4,QXE6,QXE7,QXE8,QXQ4,QXQ7,QXS4,QXU,SCK4,SE,SH,SHB1,SHB3,SHE,SHEZ,SHQ4,SJ,SJG,SKA,SMC1,SMD3,SMEO,SME1,SME6,SMX,SM11,SM32,SN,SNC,SNC9,SNT2,STC4,SWA4,SWE,SWX,SX,SXB,SXB7,SXC,SXE,SXEB,SXE4,SXE7,SXE8,SXP,SXQ4,SXU,SX2,S1,VA,VAA,VAE,VAA1,VAC2,VAG2,VAP,VA2,VCN2,VC2,VDB2,VDE1,VDE2,VD2,VE,VH,VHE,VJE2,VJ2,VKB2,VK2,VMA2,VME2,VMT,VMX,VM2,VNG1,VNG2,VN17,VN27,VPE4,VPE7,VPX4,VPX7,VSB1,VSB3,VSD,VSD4,VSD7,VTE1,VTE2,VTE5,VVA,VVA2,VWT4,VX,VXB,VXB7,VXE,VXEB,VXE2,VXE4,VXE6,VXE7,VXE8,VXFB,VXP,VXQP,VXQ4,VXTB,VXT1,VXU,VXU1,VX8,YJ
			- (1) -			-----	Q1,V1

Ref. No.	Part No.	Description	Reqd. QTY			Serial No.	Parts catalogue code
			(1)	(2)	(3)		
10	28461-ZE2-W02	GRIP, STARTER	1	1	1	-----	BJ,EDD2,EDS,EDS1,EDS2,EDS3,EDS6,EDS7,EDT1,EDT5,EDT6,ED6,ED8,ED9,EN6,ES1,ES3,ES4,ES5,EWS1,EWS3,EWS4,EWS5,HA,HAQ,HA2,HH,HJA,HJA2,HX,LH,LHB1,LHB3,LHC,LHE,LHP1,LHW,LJ,LJG,LMH,LP,LT,LX,LXE,LXE2,LXE4,LXE8,LXQ4,LXU,LXZ,LX2,L1,PAE2,PA2,PX,PXE,PXE8,PXU,QA,QAE,QAE2,QAE6,QAP,QAQ,QAW,QA2,QA26,QDW9,QE,QH,QHB3,QHC,QHE,QHP1,QH2,QKA2,QKA4,QKB2,QKE2,QK4,QMEO,QME1,QMH,QMP,QND,QNE,QNE2,QNE6,QNE8,QNE9,QNK,QNR2,QNR6,QN18,QP,QT,QWA2,QWA4,QWC4,QWH2,QWT2,QX,QXB,QXB7,QXC,QXC4,QXC6,QXC9,QXE,QXEB,QXE2,QXE4,QXE6,QXE7,QXE8,QXQ4,QXQ7,QXS4,QXU,SCK4,SE,SH,SHB1,SHB3,SHE,SHEZ,SHQ4,SJ,SJG,SKA,SMC1,SMD3,SME0,SME1,SME6,SMX,SM11,SM32,SN,SNC,SNC9,SNT2,STC4,SWA4,SWE,SWX, SX, SXB, SXB7, SXC, SXE, SXEB, SXE4, SXE7, SXE8, SXP, SXQ4, SXU, SX2, S1, VA, VAA, VAAE, VAA1, VAC2, VAG2, VAP, VA2, VCN2, VC2, VDB2, VDE1, VDE2, VD2, VE, VH, VHE, VJE2, VJ2, VKB2, VK2, VMA2, VME2, VMT, VMX, VM2, VNG1, VNG2, VN17, VN27, VPE4, VPE7, VPX4, VPX7, VSB1, VSB3, VSD, VSD4, VSD7, VTE1, VTE2, VTE5, VWA, VWA2, VWT4, VV, VXB, VXB7, VXE, VXEB, VXE2, VXE4, VXE6, VXE7, VXE8, VXF, VXP, VXQP, VXQ4, VXTB, VXT1, VXU, VXU1, VX8, YJ
			-	(1)	-	-----	Q1, V1
11	28462-ZE3-W01	ROPE, RECOIL STARTER	1	1	1	-----	BJ,EDD2,EDS,EDS1,EDS2,EDS3,EDS6,EDS7,EDT1,EDT5,EDT6,ED6,ED8,ED9,EN6,ES1,ES3,ES4,ES5,EWS1,EWS3,EWS4,EWS5,HA,HAQ,HA2,HH,HJA,HJA2,HX,LH,LHB1,LHB3,LHC,LHE,LHP1,LHW,LJ,LJG,LMH,LP,LT,LX,LXE,LXE2,LXE4,LXE8,LXQ4,LXU,LXZ,LX2,L1,PAE2,PA2,PX,PXE,PXE8,PXU,QA,QAE,QAE2,QAE6,QAP,QAQ,QAW,QA2,QA26,QDW9,QE,QH,QHB3,QHC,QHE,QHP1,QH2,QKA2,QKA4,QKB2,QKE2,QK4,QMEO,QME1,QMH,QMP,QND,QNE,QNE2,QNE6,QNE8,QNE9,QNK,QNR2,QNR6,QN18,QP,QT,QWA2,QWA4,QWC4,QWH2,QWT2,QX,QXB,QXB7,QXC,QXC4,QXC6,QXC9,QXE,QXEB,QXE2,QXE4,QXE6,QXE7,QXE8,QXQ4,QXQ7,QXS4,QXU,SCK4,SE,SH,SHB1,SHB3,SHE,SHEZ,SHQ4,SJ,SJG,SKA,SMC1,SMD3,SME0,SME1,SME6,SMX,SM11,SM32,SN,SNC,SNC9,SNT2,STC4,SWA4,SWE,SWX, SX, SXB, SXB7, SXC, SXE, SXEB, SXE4, SXE7, SXE8, SXP, SXQ4, SXU, SX2, S1, VA, VAA, VAAE, VAA1, VAC2, VAG2, VAP, VA2, VCN2, VC2, VDB2, VDE1, VDE2, VD2, VE, VH, VHE, VJE2, VJ2, VKB2, VK2, VMA2, VME2, VMT, VMX, VM2, VNG1, VNG2, VN17, VN27, VPE4, VPE7, VPX4, VPX7, VSB1, VSB3, VSD, VSD4, VSD7, VTE1, VTE2, VTE5, VWA, VWA2, VWT4, VV, VXB, VXB7, VXE, VXEB, VXE2, VXE4, VXE6, VXE7, VXE8, VXF, VXP, VXQP, VXQ4, VXTB, VXT1, VXU, VXU1, VX8, YJ
			-	(1)	-	-----	Q1, V1
12	28469-ZE2-W01	GRIP, REINFORCEMENT	1	1	-	2584635	EDD2,EDS,EDS1,EDS2,EDS3,EDS7,EDT1,EDT5,ED6,ED8,ED9,ES1,ES3,ES4,ES5,EWS1,EWS3,EWS4,EWS5,HA2,HH,HJA2,LH,LHB3,LHE,LHP1,LHW,LJ,LJG,LMH,LP,LX,LXE,LXE2,LXE4,LXE8,LXQ4,LXU,LX2,L1,PA2,PX,PXE,PXE8,PXU,QAE2,QAE6,QA2,QA26,QDW9,QE,QH,QHB3,QHE,QHP1,QKA4,QMEO,QME1,QMH,QNE,QNE2,QNE6,QNE8,QNE9,QNR2,QNR6,QN18,QP,QT,QWA2,QWA4,QWC4,QWH2,QWT2,QX,QXB,QXC,QXC4,QXC6,QXC9,QXE,QXEB,QXE2,QXE4,QXE6,QXE8,QXQ4,QXU,SCK4,SH,SHB1,SHB3,SHE,SHQ4,SJ,SJG,SMC1,SMD3,SME0,SME6,SMX,SN,SNC,STC4,SWA4,SWE,SWX, SX, SXB, SXE, SXEB, SXE4, SXE8, SXQ4, SXU, S1, VAA, VAA1, VAG2, VA2, VDE2, VKB2, VMA2, VME2, VMT, VMX, VM2, VNG1, VNG2, VPE4, VPX4, VSB1, VSB3, VSD, VSD4, VTE1, VTE5, VWA2, VWT4, VV, VXB, VXE, VXEB, VXE2, VXE4, VXE6, VXE8, VXF, VXP, VXQP, VXTB, VXT1, VXU, VXU1, VX8
			1	-	-	-----	BJ,HA,HAQ,HJA,HX,LHB1,LHC,LXZ,QA,QAE,QAQ,QHC,QH2,QKA2,QKE2,SE, SHEZ,SKA,SNC9,SNT2,SXP,SX2,VA,VAAE,VDE1,VE,VH,VHE,VTE2,VWA,YJ
			-	(1)	-	2584635	Q1, V1
			-	-	1	1000200	VXP, VXQP





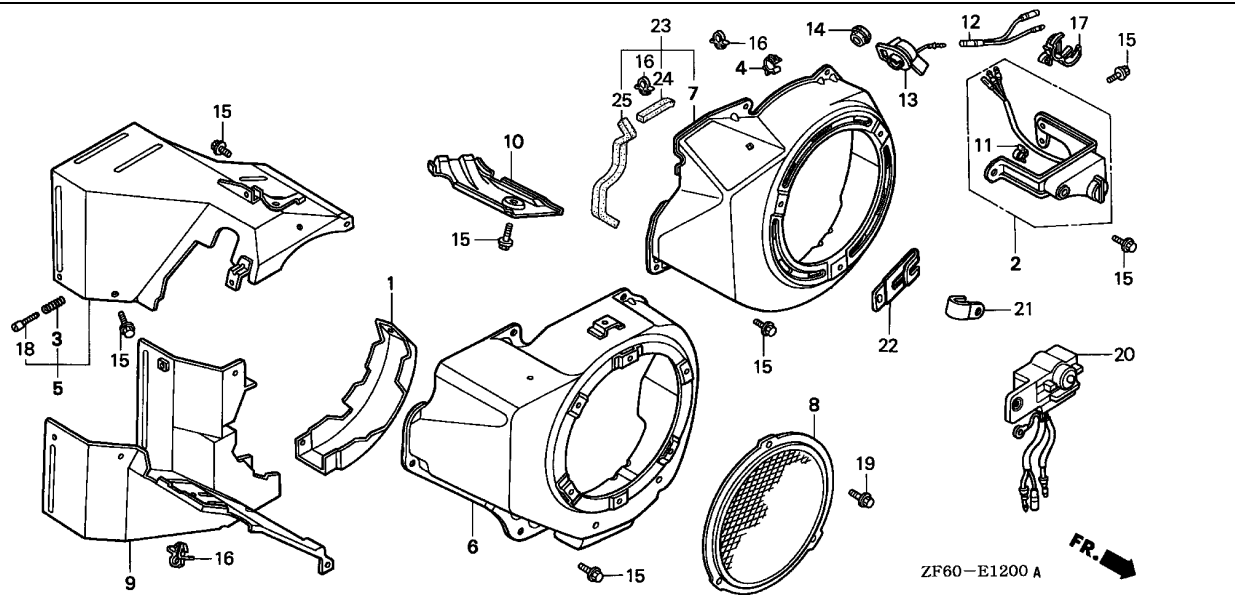
Ref. No.	Part No.	Description	Reqd. QTY			Serial No.	Parts catalogue code
			(1)	(2)	(3)		
13	90004-ZE2-W01	SCREW, CENTER	1	1	1	-----	BJ,EDD2,EDS,EDS1,EDS2,EDS3,EDS6,EDS7,EDT1,EDT5,EDT6,ED6,ED8,ED9,EN6,ES1,ES3,ES4,ES5,EWS1,EWS3,EWS4,EWS5,HA,HAQ,HA2,HH,HJA,HJA2,HX,LH,LHB1,LHB3,LHC,LHE,LHP1,LHW,LJ,LJG,LMH,LP,LT,LX,LXE,LXE2,LXE4,LXE8,LXQ4,LXU,LXZ,LX2,L1,PAE2,PA2,PX,PXE,PXE8,PXU,QA,QAE,QAE2,QAE6,QAP,QAQ,QAW,QA2,QA26,QDW9,QE,QH,QHB3,QHC,QHE,QHP1,QH2,QKA2,QKA4,QKB2,QKE2,QK4,QME0,QME1,QMH,QMP,QND,QNE,QNE2,QNE6,QNE8,QNE9,QNK,QNR2,QNR6,QN18,QP,QT,QWA2,QWA4,QWC4,QWH2,QWT2,QX,QXB,QXB7,QXC,QXC4,QXC6,QXC9,QXE,QXEB,QXE2,QXE4,QXE6,QXE7,QXE8,QXQ4,QXQ7,QXS4,QXU,SCK4,SE,SH,SHB1,SHB3,SHE,SHEZ,SHQ4,SJ,SJG,SKA,SMC1,SMD3,SME0,SME1,SME6,SMX,SM11,SM32,SN,SNC,SNC9,SNT2,STC4,SWA4,SWE,SWX,SX,SXB,SXB7,SXC,SXE,SXEB,SXE4,SXE7,SXE8,SXP,SXQ4,SXU,SX2,S1,VA,VAE,VAE1,VAE2,VAC2,VAG2,VAP,VA2,VCN2,VC2,VDB2,VDE1,VDE2,VD2,VE,VH,VHE,VJE2,VJ2,VKB2,VK2,VMA2,VME2,VMT,VMX,VM2,VNG1,VNG2,VN17,VN27,VPE4,VPE7,VPX4,VPX7,VSB1,VSB3,VSD,VSD4,VSD7,VTE1,VTE2,VTE5,VVA,VVA2,VWT4,VX,VXB,VXB7,VXE,VXEB,VXE2,VXE4,VXE6,VXE7,VXE8,VXFB,VXP,VXQP,VXQ4,VXTB,VXT1,VXU,VXU1,VX8,YJ
			-	(1)	-	-----	Q1,V1
14	95701-06008-00	BOLT, FLANGE, 6X8	3	3	-	-----	BJ,EDS3,ES1,HA,HAQ,HJA,HX,LHB1,LHC,LMH,LXZ,L1,PXE,QA,QAE,QAQ,QHC,QH2,QKA2,QKE2,QNE,QN18,QP,QXE2,SE,SHEZ,SKA,SMX,SNC9,SNT2,SXP,SX2,S1,VA,VAE,VDE1,VE,VH,VHE,VMX,VTE2,VVA,YJ
			-	(3)	-	-----	Q1,V1



ZF60-E1100

Ref. No.	Part No.	Description	Reqd. QTY			Serial No.	Parts catalogue code
			(1)	(2)	(3)		
14)	90008-ZE2-003	BOLT, FLANGE, 6X10	3	3	-	-----	EDD2,EDS,EDS1,EDS2,EDS6,EDS7,EDT1,EDT5,EDT6,ED6,ED8,ED9,EN6,ES3 ES4,ES5,EWS1,EWS3,EWS4,EWS5,HA2,HH,HJA2,LH,LHB3,LHE,LHP1,LHW,LJ LJG,LP,LT,LWD1,LX,LXE,LXE2,LXE4,LXE8,LXQ4,LXU,LX2,L1,PAE2,PA2,PX PXE8,PXU,QAE2,QAE6,QAW,QA2,QA26,QDW9,QE,QH,QHB3,QHE,QHP1,QKA4 QKB2,QK4,QME0,QME1,QMH,QMP,QND,QNE2,QNE6,QNE8,QNE9,QNK,QNR2,QNR6 QT,QWA2,QWA4,QWC4,QWH2,QWT2,QX,QXB,QXB7,QXC,QXC4,QXC6,QXC9,QXE QXEB,QXE4,QXE6,QXE7,QXE8,QXQ4,QXQ7,QXS4,QXU,SCK4,SH,SHB1,SHB3,SHE SHQ4,SHW,SJ,SJG,SKAE,SMC1,SMD3,SME0,SME1,SME6,SM11,SM32,SN,SNC STC4,SWA4,SWE,SWX,SX,SXB,SXB7,SXC,SXE,SXEB,SXE4,SXE7,SXE8,SXQ4 SXU,S1,VAA,VAA1,VAC2,VAG2,VA2,VCN2,VC2,VDB2,VDE2,VD2,VJE2,VJ2 VKB2,VK2,VMA2,VME2,VMT,VM2,VNG1,VNG2,VN17,VN27,VPE4,VPE7,VPX4 VPX7,VSB1,VSB3,VSD,VSD4,VSD7,VTE1,VTE5,VWA2,VWT4,VX,VXB,VXB7,VXE VXEB,VXE2,VXE4,VXE6,VXE7,VXE8,VXFB,VXQ4,VXTB,VXT1,VXU,VXU1,VX8,V1 ZK1
			-	-	3		



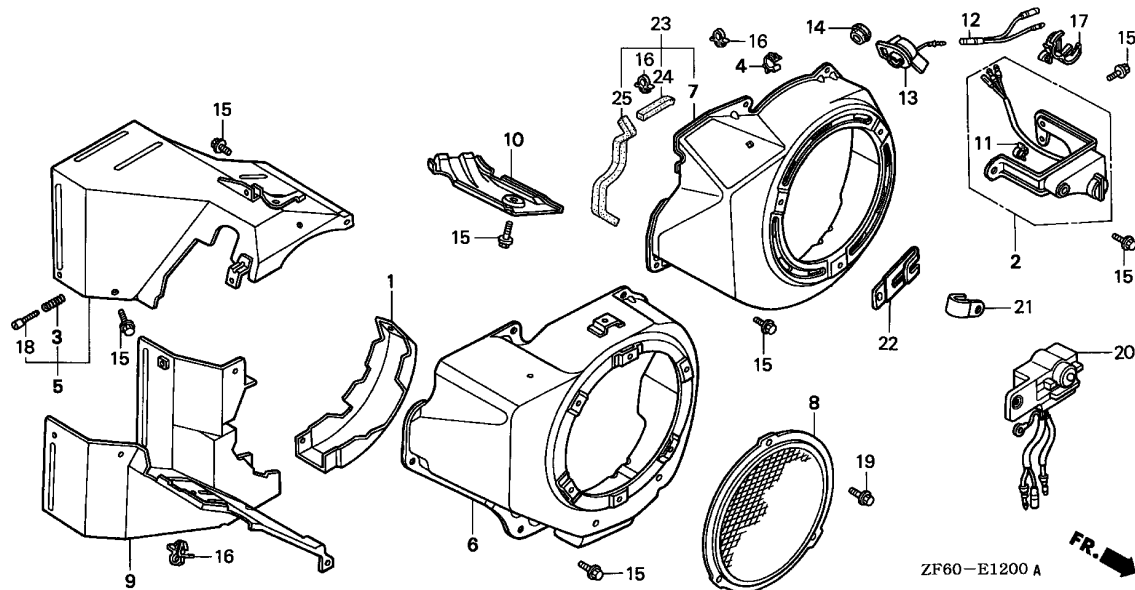


Service item	F.R.T.
ALERT UNIT, OIL	0.1
.SUB HARNESS	
.SWITCH ASSY., ENGINE STOP	
COVER COMP., FAN	0.2
.SEAL, RECOIL	
SHROUD ASSY., UPPER	0.3
.SHROUD COMP., LOWER	

Ref. No.	Part No.	Description	Reqd. QTY			Serial No.	Parts catalogue code
			(1)	(2)	(3)		
1	11315-ZB8-000	SCROLL, GENERATOR FAN	1	-	-	EDS5	
2	15520-ZE2-003	ALERT UNIT, OIL	1	-	-	2042138	HA, HX, LX, LXZ, PX, QA, QX, QXB, QXC, SWX, SX, SXB, SXP, VA, VAA, VNG1, VSD, VXB
3	16584-883-300	SPRING, CONTROL ADJUSTING ...	-	(1)	-	2042138	
4	16731-ZE2-003	CLIP, TUBE	1	-	1	EDS5	BJ, ED8, ED9, ES1, HA, HAQ, HA2, HH, HJA, HJA2, HX, LH, LHB1, LHB3, LHC, LHE, LHP1, LHW, LJ, LJG, LKE, LKF1, LMH, LP, LT, LTK, LTK1, LWD, LWD1, LX, LXE, LXE2, LXE4, LXE8, LXQ4, LXU, LXZ, LX2, PAE2, PA2, PX, PXE, PXE8, PXU, QA, QAE, QAE2, QAE6, QAA, QAW, QA2, QA26, QDW9, QE, QH, QHB3, QHC, QHE, QHP1, QH2, QKA2, QKA4, QKB2, QKE2, QK4, QME0, QME1, QMH, QMP, QND, QNE, QNE2, QNE6, QNE8, QNE9, QNK, QNR2, QNR6, QN18, QP, QT, QWA2, QWA4, QWC4, QWH2, QWT2, QX, QXB, QXB7, QXC, QXC4, QXC6, QXC9, QXE, QXEB, QXE2, QXE4, QXE6, QXE7, QXE8, QXQ4, QXQ7, QXS4, QXU, SCK4, SE, SH, SHB1, SHB3, SHE, SHEZ, SHQ4, SHW, SJ, SJG, SKA, SKAE, SMC1, SMD3, SME0, SME1, SME6, SMX, SM11, SM32, SN, SNC, SNC9, SNT2, STC4, SWA4, SWE, SWX, SX, SXB, SXB7, SXC, SXE, SXEB, SXE4, SXE7, SXE8, SXK, SXKP, SXP, SXQ4, SXU, SX2, VA, VAAE, VAC2, VAG2, VA2, VCN2, VC2, VDB2, VDE1, VDE2, VD2, VE, VH, VHE, VJE2, VJ2, VKB2, VK2, VMA2, VME2, VMX, VM2, VNG1, VNG2, VN17, VN27, VPE4, VPE7, VPX4, VPX7, VSD, VSD4, VSD7, VTE1, VTE5, VWA2, VWT4, VX, VXB, VXB7, VXE, VXEB, VXE2, VXE4, VXE6, VXE7, VXE8, VXFB, VXQ4, VXTB, VXT1, VXU, VXU1, VX8, YJ
			1	-	-	2143011	VAA
5	19602-ZE3-E40	SHROUD ASSY., UPPER	1	-	-	EDS5	
6	19610-ZB8-000	COVER COMP., FAN	1	-	-	EDS5	
7	19610-ZE3-W00ZA	COVER COMP., FAN (100DB) *R8*.....BRIGHT RED	1	-	-	2053383	QXB, QXEB, SXB, SXEB, VAA, VAAE, VNG1, VSD, VXB, VXEB
	19610-ZE3-W00ZB	COVER COMP., FAN *T39*.....GEKO BLUE	1	-	-	2111866	VNG2

Ref. No.	Part No.	Description	Reqd. QTY			Serial No.	Parts catalogue code	
			(1)	(2)	(3)			
(7)	19610-ZE3-W01ZA	COVER COMP., FAN *R8*.....BRIGHT RED	1	-	-	-----	QXB7,QXE7,SCK4,SXB7,SXE7,VMX,VN17,VPE4,VPE7,VPX4,VPX7,VSD4,VSD7 VWT4,VXB7,VXE7,VXFB,VXTB	
			1	-	-	2053384	-----	QXB,QXEB,SXB,SXEB,VAAE,VNG1,VSD,VXB,VXEB
			1	-	-	2053384	2143011	VAA
	19610-ZE3-W01ZB	*T39*.....GEKO BLUE	1	-	-	2111867	-----	VNG2
	19610-ZE3-W01ZD	*NH1*.....BLACK	1	-	-	-----	-----	VN27,VSD7
	19610-ZE3-W01ZE	*NH105*...MAT BLACK (#15-#20)	1	-	-	-----	-----	VXE7
	19610-ZE3-700ZA	*R8*.....BRIGHT RED	1	-	-	-----	-----	EDD2,EDS,EDS1,EDS3,EDT1,ED6,ES3,ES4,EWS1,EWS3,EWS4,EWS5,VMT,VSBB1 VSB3,VTE2
			1	-	-	2143012	2282696	VAA
	19610-ZE3-700ZB	*NH1*.....BLACK	1	-	-	-----	-----	EDS2,EDS6,EDS7,EDT5,EDT6,ED6,EN6,EWS3,EWS4,EWS5,ZK1
	19610-ZE3-700ZF	*T68*.....TSURUMI BLUE	1	-	-	-----	-----	EDD2,ED6
	19610-ZE3-700ZG	*Y131*.....LIGHTNING YELLOW	1	-	-	-----	-----	EDD2,ED6,ES3,ES4
	19610-ZE3-700ZH	*T77*.....SEC WINE RED	1	-	-	-----	-----	ES3,ES4,ES5,EWS1,EWS3,EWS4,EWS5
	19610-ZE3-700ZJ	*T80*.....BAKELITE ORANGE	1	-	-	-----	-----	ED6,ES3,ES4
	19610-ZE3-000ZA	*R8*.....BRIGHT RED	1	-	-	-----	-----	SHEZ
			1	-	-	2055496	-----	BJ,ES1,HA,HH,HX,LH,LHC,LHE,LJ,LWD,LX,LXE,LXZ,PX,QA,QAE,QE,QH,QHC QHE,QNE,QP,QT,QX,QXC,QXE,SE,SH,SHE,SJ,SWE,SWX,SX,SXE,SXP,VA,VE,VH VHE,VX,VXE,YJ
	19610-ZE3-010ZA	*R8*.....BRIGHT RED	1	(1)	-	-----	2055496	-----
			1	-	1	-----	-----	ED8,ED9,HAQ,HA2,HJA,HJA2,LHB1,LHB3,LHP1,LHW,LJG,LKE,LKF1,LMH,LP LT,LTK,LTK1,LWD1,LXE2,LXE4,LXE8,LXQ4,LXU,LX2,PAE2,PA2,PXE,PXE8 PXU,QAE2,QAE6,QAP,QAQ,QAW,QA2,QA26,QHB3,QHP1,QH2,QKA2,QKA4,QKB2 QKE2,QK4,QMED,QME1,QMH,QMP,QND,QNE2,QNE6,QNE8,QNE9,QNK,QNR2,QNR6 QN18,QXC4,QXC6,QXC9,QXE2,QXE4,QXE6,QXE8,QXQ4,QXQ7,QXS4,QXU,SHB1 SHB3,SHQ4,SHW,SJG,SKA,SKAE,SMC1,SMD3,SME0,SME1,SME6,SMX,SM11,SN SNC,SNC9,SNT2,STC4,SWA4,SXC,SXE4,SXE8,SXQ4,SXU,SX2,VAA1,VAC2,VAG2 VAP,VA2,VCN2,VC2,VDB2,VDE1,VDE2,VD2,VJE2,VJ2,VKB2,VK2,VMA2,VTE1 VTE5,VWA,VXE2,VXE4,VXE6,VXE8,VXP,VXQP,VXQ4,VXT1,VXU,VXU1,VX8
			1	-	-	2055497	-----	BJ,ES1,HA,HH,HX,LH,LHC,LHE,LJ,LWD,LX,LXE,LXZ,PX,QA,QAE,QE,QH,QHC QHE,QNE,QP,QT,QX,QXC,QXE,SE,SH,SHE,SJ,SWE,SWX,SX,SXE,SXP,VA,VE,VH VHE,VX,VXE,YJ
			1	-	-	2282697	-----	VAA
			-	(1)	-	2055497	-----	-----
	19610-ZE3-010ZB	*NH1*.....BLACK	1	-	1	-----	-----	ED8,ED9,QA2,QDW9,QNR2,QWA4,QWC4,QWH2,QWT2,QXC9,QXQ4,SME6,SM32 SXXP,SXX1
			1	-	-	2881520	-----	SXX
	19610-ZE3-010ZC	*T34*.....SIMPSON BLUE	1	-	-	-----	-----	QA2
	19610-ZE3-010ZD	*T39*.....GEKO BLUE	1	-	-	-----	-----	VXE4
	19610-ZE3-010ZG	*NH105*...MAT BLACK (#15-#20)	1	-	-	-----	-----	QWA2,VDE2,VME2,VM2,VWA2,VXE2,VXE4
	19610-ZE3-010ZH	*NH246*.....LOOSEY GRAY	1	-	-	-----	-----	HAQ,QAQ,QNE9
8	19620-ZE3-810	PROTECTOR COMP., FAN COVER ..	1	-	-	-----	-----	EDS5,LKE,LKF1,LTK,LTK1,LWD1,SHW,SKAE
	19620-ZE3-L60ZA	*NH1*.....BLACK	1	-	1	-----	-----	SXX,SXXP,SXX1,ZK1
9	19630-ZB8-000	SHROUD COMP., LOWER	1	-	-	-----	-----	EDS5



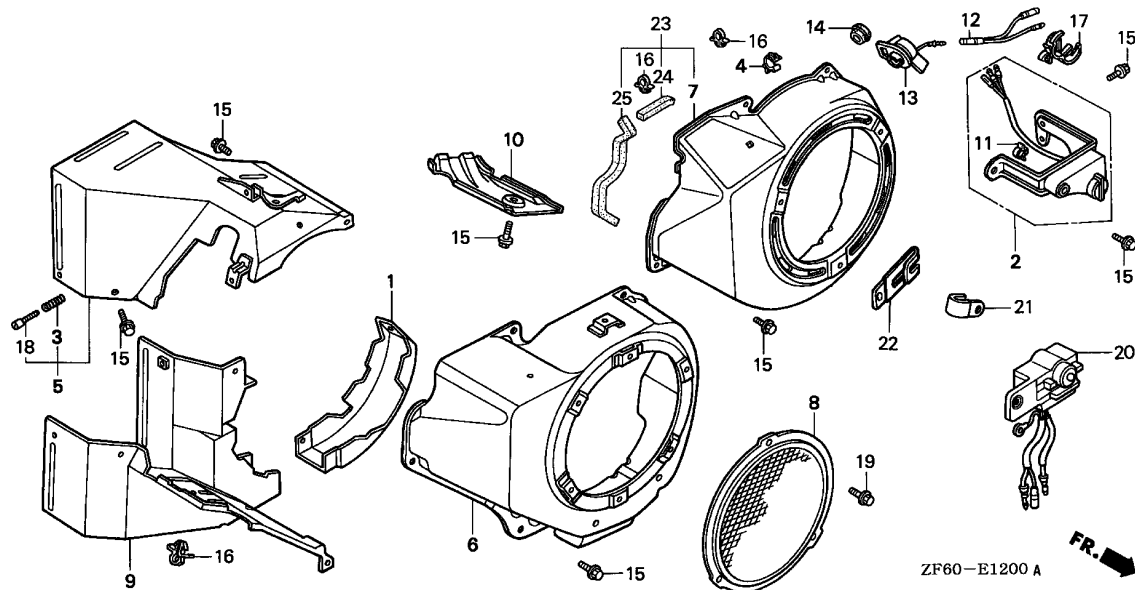


2

Ref. No.	Part No.	Description	Reqd. QTY GX390K1 (1) (2) (3)	Serial No.	Parts catalogue code
10	19631-ZE3-W00	SHROUD	1 (1)	-	BJ,EDD2,EDS,EDS1,EDS2,EDS3,EDS6,EDS7,EDT1,EDT5,EDT6,ED6,ED8,ED9,EN6,ES1,ES3,ES4,ES5,EWS1,EWS3,EWS4,EWS5,HA,HAQ,HA2,HH,HJA,HJA2,HX,LH,LHB1,LHB3,LHC,LHE,LHP1,LHW,LJ,LJG,LKE,LKF1,LMH,LP,LT,LTk,LTk1,LWD,LWD1,LX,LXE,LXE2,LXE4,LXE8,LXQ4,LXU,LXZ,LX2,L1,PAE2,PA2,PX,PXE,PXE8,PXU,QA,QAE,QAE2,QAE6,QAQ,QAW,QA2,QA26,QDW9,QE,QH,QHB3,QHC,QHE,QHP1,QH2,QKA2,QKA4,QKB2,QKE2,QK4,QMED,QME1,QMH,QMP,QND,QNE,QNE2,QNE6,QNE8,QNE9,QNK,QNR2,QNR6,QN18,QP,QT,QWA2,QWA4,QWC4,QWH2,QWT2,QX,QXB,QXB7,QXC,QXC4,QXC6,QXC9,QXE,QXEB,QXE2,QXE4,QXE6,QXE7,QXE8,QXQ4,QXQ7,QXS4,QXU,SCK4,SE,SH,SHB1,SHB3,SHE,SHEZ,SHQ4,SHW,SJ,SJG,SKA,SKAE,SMC1,SMD3,SME0,SME1,SME6,SMX,SM11,SM32,SN,SNC,SNC9,SNT2,STC4,SWA4,SWE,SWX,SX,SXB,SXB7,SXC,SXE,SXEB,SXE4,SXE7,SXE8,SXK,SXK1,SXP,SXQ4,SXU,SX2,S1,VA,VAA,VAAE,VAA1,VAC2,VAG2,VA2,VCN2,VC2,VDB2,VDE1,VDE2,VD2,VE,VH,VHE,VJE2,VJ2,VKB2,VK2,VMA2,VME2,VMT,VMX,VM2,VNG1,VNG2,VN17,VN27,VPE4,VPE7,VPX4,VPX7,VS1,VS3,VSD,VSD4,VSD7,VTE1,VTE2,VTE5,VVA,VVA2,VWT4,VX,VXB,VXB7,VXE,VXEB,VXE2,VXE4,VXE6,VXE7,VXE8,VXFB,VXQ4,VXTB,VXT1,VXU,VXU1,VX8,YJ,ZK1
			-	1	Q1,V1
11	30701-883-000	CLIP, HIGH TENSION CORD (8MM)	1	-	2042138 HA, HX, LX, LXZ, PX, QA, QX, QXB, QXC, SWX, SX, SXB, SXP, VA, VAA, VNG1, VSD, VX, VXB
			-	(1)	2042138
12	32197-ZH8-003	SUB HARNESS	1 (1)	-	2042139 2334667 HA, HX, LX, LXZ, L1, PX, QA, QX, QXB, QXC, SWX, SX, SXB, SXP, S1, VA, VAA, VNG1, VSD, VX, VXB
			1	-	2334667 EDS, ED9, ES1, HAQ, HA2, HJA, HJA2, LXQ4, LX2, QAQ, QA2, QA26, QDW9, QKA2, QXC4, QXC6, QXC9, QXQ4, SMD3, SME6, SNC, SNC9, SNT2, SWA4, SXQ4, SX2, VAG2, VA2, VMA2, VMX, VXP, VXQP, VXQ4, VXU
			1	-	EDD2, EDS1, EDS2, EDS3, EDS5, EDS6, EDS7, EDT1, EDT5, EDT6, ED6, EN6, VAA1
			-	1	2042139 2334667 Q1, V1

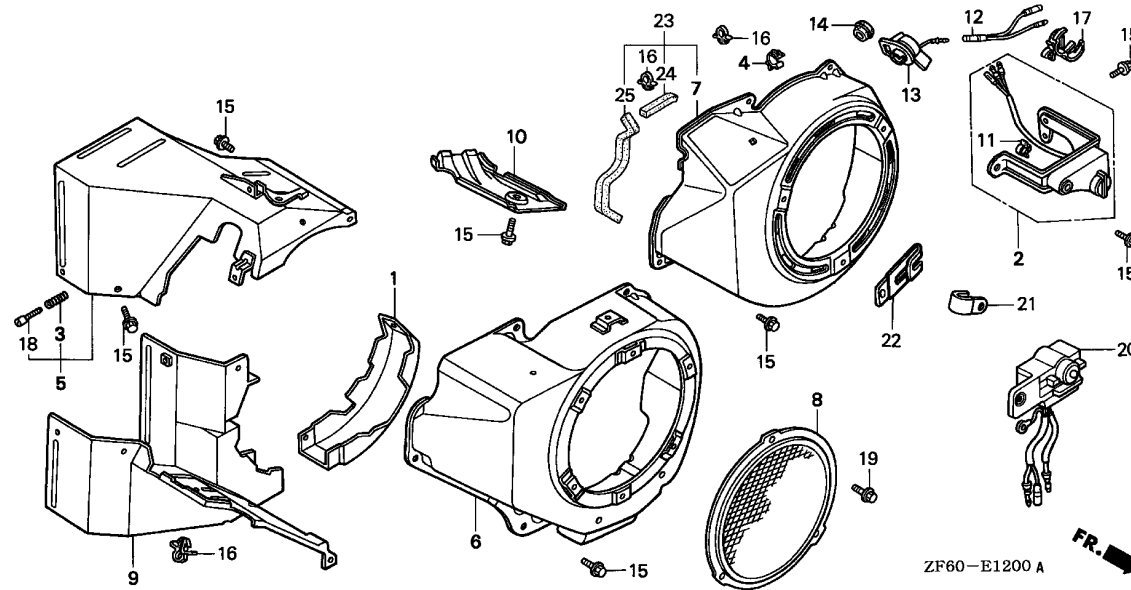
Ref. No.	Part No.	Description	Reqd. QTY			Serial No.	Parts catalogue code
			GX390K1 (1)	(2)	(3)		
13	36100-ZE1-015	SWITCH ASSY., ENGINE STOP ...	1	-	-	-----	BJ, ED8, HH, LH, LHB1, LHB3, LHC, LHP1, LHW, LJ, LJG, LMH, LP, LT, QH, QHB3, QHC, QHP1, QH2, QMH, QNK, QP, QT, SE, SH, SHB1, SHB3, SJ, SJG, SM11, SN, VAA1, VE, VHYJ
			1	-	-	-----	2146740 QE, SNC, VMX
			1	-	-	-----	2334667 ED9, ES1, HAQ, HA2, HJA, HJA2, LX2, QAA, QA2, QA26, QDW9, QKA2, QXC6, QXC9, SNC9, SNT2, SX2, VAG2, VA2, VMA2, VXU
			1	-	-	2042139	2146740 QXB, SXB, VNG1, VSD, VXB
			1	-	-	2042139	2334667 HA, HX, LX, LXZ, PX, QA, QX, QXC, SWX, SX, SXP, VA, VAA, VX
			-	(1)	-	-----	2334667
			-	-	1	-----	1000009 VXP
	36100-ZH7-W41	1	-	-	-----	QK4, QWA4, QWC4, QXB7, QXQ7, SXB7, VN17, VSD7, VXB7, VXTB
			1	-	-	2334668	LXQ4, QXB, QXC4, QXQ4, SMD3, SME6, SNC, SWA4, SXB, SXQ4, VMX, VNG1, VSD, VXB, VXQ4
			-	-	1	1000010	VXQP
	36100-ZH7-003	1	-	1	-----	LXU, PA2, PXU, QAP, QAW, QWT2, QXU, SMX, SXC, SXU, VAC2, VD2, VJ2, VM2, VXT1, VX8
			1	-	-	2334668	ED9, ES1, HA, HAQ, HA2, HJA, HJA2, HX, LX, LXZ, LX2, PX, QA, QAA, QA2, QA26, QDW9, QKA2, QX, QXC, QXC6, QXC9, SNC9, SNT2, SWX, SX, SXP, SX2, VA, VAA, VAG2, VA2, VMA2, VX, VXU
			1	-	-	-----	2643255 QWA2
			-	(1)	-	-----	2334668
			-	-	1	1000010	VXP
	36100-ZH8-W41	1	-	-	-----	SHQ4, SMC1
			1	-	-	2146741	QE
			1	-	-	-----	2334667 LXQ4, QXC4, QXQ4, SMD3, SME6, SWA4, SXQ4, VXQ4
			1	-	-	2146741	2334667 QXB, SNC, SXB, VMX, VNG1, VSD, VXB
			-	-	1	-----	1000009 VXQP
	36100-ZF6-P81	1	-	-	-----	QXS4
14	81329-567-020	GROMMET, DRAIN HOLE	1	-	1	-----	EDD2, EDS1, EDS2, EDS6, EDS7, EDT1, EDT5, EDT6, ED6, EN6, ES5, LKE, LKF1, LP, LTK, LTK1, LWD, LWD1, LXE2, PAE2, QAE, QAE2, QKB2, QMP, QND, QNE, QNE2, QNE8, QNE9, QNR2, QNR6, QN18, QWH2, QXE2, QXE7, SHW, SKAE, SME1, SM32, SXE7, SXX, SXXP, SXX1, VAA1, VAP, VCN2, VC2, VDB2, VDE1, VDE2, VJE2, VKB2, VK2, VME2, VMT, VN27, VPE4, VPE7, VPX4, VPX7, VSB1, VSB3, VTE1, VTE2, VTE5, VVA, VVA2, VWT4, VXE, VXE2, VXE6, VXE7, VXF, ZK1
			1	-	-	2643256	QWA2
			1	-	-	2042138	HA, HX, LX, LXZ, PX, QA, QX, QXB, QXC, SWX, SX, SXB, SXP, VA, VNG1, VSD, VX, VXB
			1	-	-	2143012	2282696 VAA
			-	(1)	-	-----	
	50317-254-000	PLUG, USELESS HOLE	-	-	1	-----	QAP, VAP, VXP, VXQP



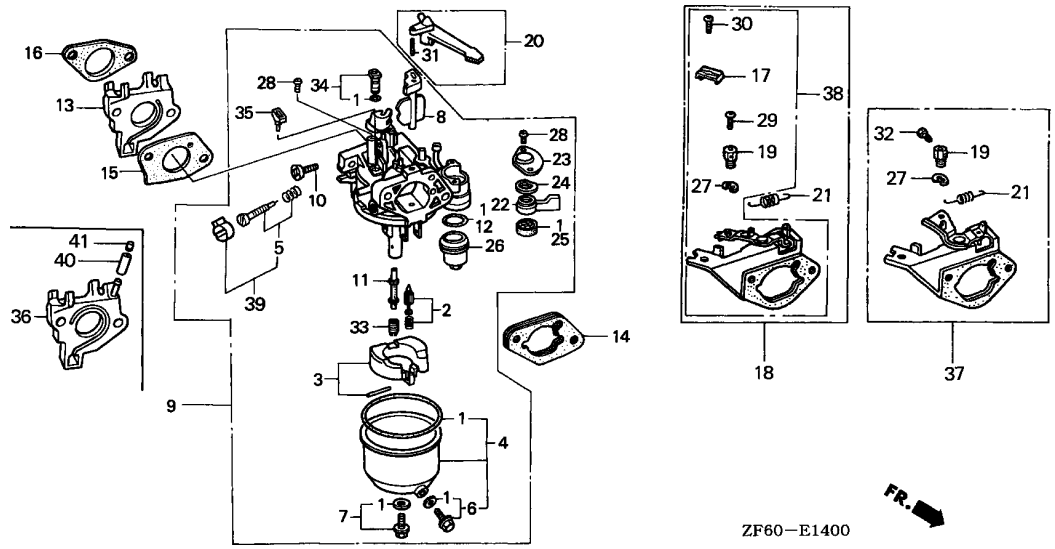


2

Ref. No.	Part No.	Description	Reqd. QTY			Serial No.	Parts catalogue code
			(1)	(2)	(3)		
15	90013-883-000	BOLT, FLANGE, 6X12(CT200) ...	6	6	-	-----	BJ, EDD2, EDS, EDS1, EDS2, EDS5, EDS6, EDS7, EDT1, EDT5, EDT6, ED6, ED8, ED9, EN6, ES1, ES3, ES4, ES5, EWS1, EWS3, EWS4, EWS5, HAQ, HA2, HH, HJA, HJA2, LH, LHB1, LHB3, LHC, LHE, LHP1, LHW, LJ, LJG, LKE, LKF1, LMH, LP, LT, LTK, LTK1, LWD, LWD1, LXE, LXE2, LXE4, LXE8, LXQ4, LX2, PAE2, PA2, PXE, PXE8, QAE, QAE2, QAE6, QAW, QAW, QA2, QA26, QDW9, QE, QH, QHB3, QHC, QHE, QHP1, QH2, QKA2, QKA4, QKB2, QKE2, QK4, QMED, QME1, QMH, QMP, QND, QNE, QNE2, QNE6, QNE8, QNE9, QNK, QNR2, QNR6, QN18, QP, QT, QWA2, QWA4, QWC4, QWH2, QWT2, QXB7, QXC4, QXC6, QXC9, QXE, QXEB, QXE2, QXE4, QXE6, QXE7, QXE8, QXQ4, QXQ7, QXS4, Q1, SCK4, SE, SH, SHB1, SHB3, SHE, SHEZ, SHQ4, SHW, SJ, SJG, SKA, SKAE, SMC1, SMD3, SMED, SME1, SME6, SMX, SM11, SM32, SN, SNC, SNC9, SNT2, STC4, SWA4, SWE, SXB7, SXC, SXE, SXEB, SXE4, SXE7, SXE8, SXK, SXK1, SXQ4, SX2, VAAE, VAC2, VAG2, VA2, VCN2, VC2, VDB2, VDE1, VDE2, VD2, VE, VH, VHE, VJE2, VJ2, VKB2, VK2, VMA2, VME2, VMX, VM2, VNG2, VN17, VN27, VPE4, VPE7, VPX4, VPX7, VSB1, VSB3, VSD4, VSD7, VTE1, VTE2, VTE5, VWA, VWA2, VWT4, VXB7, VXE, VXEB, VXE2, VXE4, VXE6, VXE7, VXE8, VXF6, VXX4, VXTB, VXT1, VXU, VXU1, VX8, V1, YJ, ZK1
			8	8	-	2042138	HA, HX, LX, LXZ, L1, PX, QA, QX, QXB, QXC, SWX, SX, SXB, SXP, S1, VA, VAA, VNG1, VSD, VX, VXB
			-	-	6		
			6	6	-	2042139	HA, HX, LX, LXZ, L1, PX, QA, QX, QXB, QXC, SWX, SX, SXB, SXP, S1, VA, VAA, VNG1, VSD, VX, VXB
			6	-	-	-----	LXU, PXU, QXU, SXU, VAA1, VMT
			-	(2)	-	2042138	Q1, V1
16	90683-SA0-003	CLIP, WIRE HARNESS, 25MM	2	-	-	2143011	ZK1
	90654-SA4-003	CLIP, WIRE HARNESS, 6MM(WHITE)	1	-	-	-----	EDS5
			2	-	-	-----	EDD2, EDS, EDS1, EDS2, EDS3, EDS6, EDS7, EDT1, EDT5, EDT6, ED6, EN6, ES3, ES4, ES5, EWS1, EWS3, EWS4, EWS5, VMT, VSB1, VSB3, VTE2
			2	-	-	2143012	ZK1
			2	-	-	2143012	2282696 VAA



Ref. No.	Part No.	Description	Reqd. QTY			Serial No.	Parts catalogue code
			(1)	(2)	(3)		
17	90684-ZA0-601	CLIP, HARNESS	1	-	1	EDT1,EDT5,EDT6,ED6,ED9,ES1,HAQ,HA2,HJA2,HX,LX,LXQ4,LXU,LXZ,LX2,PX PXU,QAP,QAQ,QA2,QA26,QDW9,QKA2,QK4,QWA2,QWA4,QWC4,QX,QXB,QXB7 QXC4,QXC6,QXC9,QXQ4,QXQ7,QXS4,QXU,SMD3,SME6,SNC,SNC9,SNT2,SWA4 SWX,SX,SXB,SXB7,SXC,SXP,SXQ4,SXU,SX2,VAA,VAA1,VAG2,VA2,VD2,VJ2 VMA2,VMX,VNG1,VPX4,VSD,VSD7,VX,VXB,VXB7,VXP,VXQP,VXQ4,VXTB,VXT1 VXU,VX8	
			1	-	-	2042138	HA,QA,QXC,VA
18	93500-05032-0A	SCREW, PAN, 5X32	1	-	-		EDS5
19	95701-06008-00	BOLT, FLANGE, 6X8	3	-	3		EDS5,LWD1,SHW,SKAE,SXKP,ZK1
	90008-ZE2-003	BOLT, FLANGE, 6X10	3	-	-		LKE,LKF1,QXB7,QXE7,QXQ7,SXB7,SXE7,SXK,SXK1,VSD7
	90009-ZE2-003	BOLT-WASHER, 6X22	3	-	-		LTK,LTK1
20	15520-ZE2-822	ALERT UNIT, OIL (SEL)	1	-	-	2042138	QAE,QNE,VXE
21	32111-426-000	CLAMPER, CORD	1	-	-	2192260	ZK1
22	91406-166-000	CLIP, WIRE	1	-	-		ZK1
23	19610-ZE3-H51ZB	COVER COMP., FAN *NH1*	1	-	-	2881521	BLACK SXX
24	19613-ZE3-H50	SEAL, FAN COVER	1	-	-	2881521	SXX
25	28403-ZE3-H60	SEAL, RECOIL	1	-	-	2881521	SXX



Service item	F.R.T.
SPRING, RETURN	0.1
CARBURETOR ASSY.	0.2
.INSULATOR, CARBURETOR	
.LEVER COMP., CHOKE	
.PACKING, CARBURETOR	
.PACKING, FUEL COCK	
.PACKING, FUEL STRAINER CUP	
.PACKING, INSULATOR	
.SCREW SET	
.STAY ASSY., CHOKE CONTROL	
FLOAT SET	0.3
.GASKET SET	
.JET, MAIN,	
.VALVE SET, FLOAT	

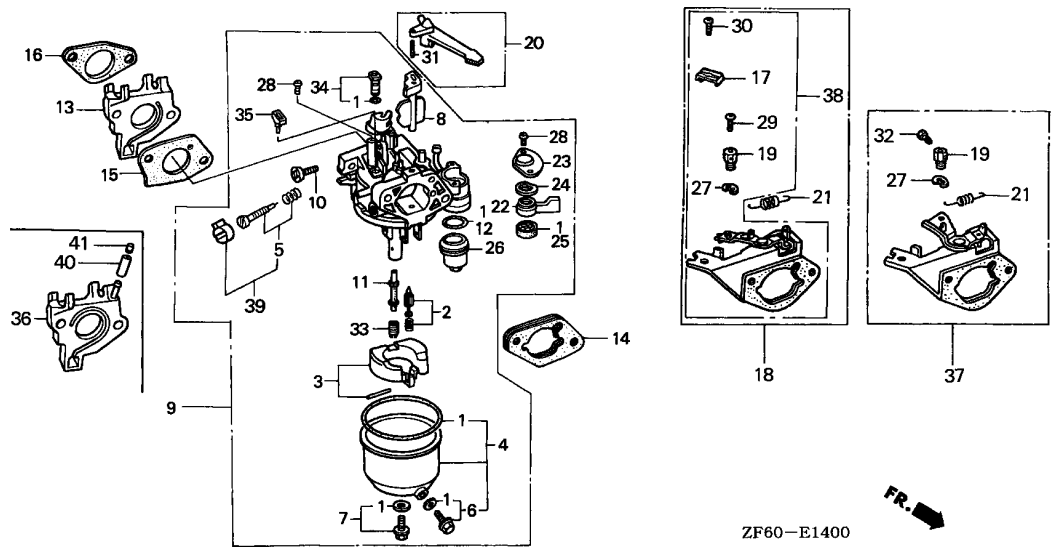
ZF60-E1400



Ref. No.	Part No.	Description	Reqd. QTY GX390K1 (1) (2) (3)	Serial No.	Parts catalogue code
1	16010-ZE2-812	GASKET SET	1	- - - - -	BJ, ED8, ED9, ES1, HA, HAQ, HA2, HH, HJA, HJA2, HX, LH, LHB1, LHB3, LHC, LHE, LHP1, LHW, LJ, LJG, LKE, LKF1, LMH, LP, LT, LTK, LTK1, LWD, LX, LXE, LXE2, LXE4, LXE8, LXQ4, LXU, LXZ, LX2, PAE2, PA2, PX, PXE, PXE8, PXU, QA, QAE, QAE2, QAE6, QAQ, QAW, QA2, QA26, QDW9, QE, QH, QHB3, QHC, QHE, QHP1, QH2, QKA2, QKA4, QKB2, QKE2, QK4, QME0, QME1, QMH, QMP, QND, QNE, QNE2, QNE6, QNE8, QNE9, QNK, QNR2, QNR6, QN18, QP, QT, QWA2, QWA4, QWC4, QWH2, QWT2, QX, QXB, QXB7, QXC, QXC4, QXC6, QXC9, QXE, QXEB, QXE2, QXE4, QXE6, QXE7, QXE8, QXQ4, QXQ7, QXS4, QXU, SCK4, SE, SH, SHB1, SHB3, SHE, SHEZ, SHQ4, SHW, SJ, SJG, SKA, SKAE, SMC1, SMD3, SME0, SME1, SME6, SMX, SM11, SM32, SNC, SNC9, SNT2, STC4, SWA4, SWE, SWX, SX, SXB, SXB7, SXC, SXE, SXEB, SXE4, SXE7, SXE8, SXP, SXQ4, SXU, SX2, VA, VAAE, VAC2, VAG2, VA2, VCN2, VDB2, VDE1, VDE2, VD2, VE, VH, VHE, VJE2, VJ2, VKB2, VK2, VMA2, VME2, VMX, VM2, VNG1, VNG2, VN17, VN27, VSD, VSD7, VTE1, VTE5, VWA, VWA2, VWT4, VX, VXB, VXB7, VXE, VXEB, VXE2, VXE4, VXE6, VXE7, VXE8, VXF8, VXQ4, VXTB, VXT1, VXU, VXU1, VX8, YJ
		(CARBURETOR NO.)	1	- - - - -	BE48B A VAA, ZK1
			- (1) -		

Ref. No.	Part No.	Description	Reqd. QTY			Serial No.	Parts catalogue code
			GX390K1	(1)	(2)		
2	16011-ZA0-931	VALVE SET, FLOAT	1	-	-	-----	BJ, ED8, ED9, ES1, HA, HAQ, HA2, HH, HJA, HJA2, HX, LH, LHB1, LHB3, LHC, LHE, LHP1, LHW, LJ, LJG, LKE, LKF1, LMH, LP, LT, LTK, LTK1, LW, LX, LXE, LXE2, LXE4, LXE8, LXQ4, LXU, LXZ, LX2, PAE2, PA2, PX, PXE, PXE8, PXU, QA, QAE, QAE2, QAE6, QAQ, QAW, QA2, QA26, QDW9, QE, QH, QHB3, QHC, QHE, QHP1, QH2, QKA2, QKA4, QKB2, QKE2, QK4, QME0, QME1, QMH, QMP, QND, QNE, QNE2, QNE6, QNE8, QNE9, QNK, QNR2, QNR6, QN18, QP, QT, QWA2, QWA4, QWC4, QWH2, QWT2, QX, QXB, QXB7, QXC, QXC4, QXC6, QXC9, QXE, QXEB, QXE2, QXE4, QXE6, QXE7, QXE8, QXQ4, QXQ7, QXS4, QXU, SCK4, SE, SH, SHB1, SHB3, SHE, SHEZ, SHQ4, SHW, SJ, SJG, SKA, SKAE, SMC1, SMD3, SME0, SME1, SME6, SMX, SM11, SM32, SNC, SNC9, SNT2, STC4, SWA4, SWE, SWX, SX, SXB, SXB7, SXC, SXE, SXEB, SXE4, SXE7, SXE8, SXP, SXQ4, SXU, SX2, VA, VAAE, VAC2, VAG2, VA2, VCN2, VDB2, VDE1, VDE2, VD2, VE, VH, VHE, VJE2, VJ2, VKB2, VK2, VMA2, VME2, VMX, VM2, VNG1, VNG2, VN17, VN27, VSD, VSD7, VTE1, VTE5, VVA, VWA2, VWT4, VX, VXB, VXB7, VXE, VXEB, VXE2, VXE4, VXE6, VXE7, VXE8, VXF8, VXQ4, VXTB, VXT1, VXU, VXU1, VX8, YJ
		(CARBURETOR NO.)	1	-	-	-----	BE48B A VAA, ZK1
			-	(1)	-	-----	
3	16013-ZA0-931	FLOAT SET	1	-	-	-----	BJ, ED8, ED9, ES1, HA, HAQ, HA2, HH, HJA, HJA2, HX, LH, LHB1, LHB3, LHC, LHE, LHP1, LHW, LJ, LJG, LKE, LKF1, LMH, LP, LT, LTK, LTK1, LW, LX, LXE, LXE2, LXE4, LXE8, LXQ4, LXU, LXZ, LX2, PAE2, PA2, PX, PXE, PXE8, PXU, QA, QAE, QAE2, QAE6, QAQ, QAW, QA2, QA26, QDW9, QE, QH, QHB3, QHC, QHE, QHP1, QH2, QKA2, QKA4, QKB2, QKE2, QK4, QME0, QME1, QMH, QMP, QND, QNE, QNE2, QNE6, QNE8, QNE9, QNK, QNR2, QNR6, QN18, QP, QT, QWA2, QWA4, QWC4, QWH2, QWT2, QX, QXB, QXB7, QXC, QXC4, QXC6, QXC9, QXE, QXEB, QXE2, QXE4, QXE6, QXE7, QXE8, QXQ4, QXQ7, QXS4, QXU, SCK4, SE, SH, SHB1, SHB3, SHE, SHEZ, SHQ4, SHW, SJ, SJG, SKA, SKAE, SMC1, SMD3, SME0, SME1, SME6, SMX, SM11, SM32, SNC, SNC9, SNT2, STC4, SWA4, SWE, SWX, SX, SXB, SXB7, SXC, SXE, SXEB, SXE4, SXE7, SXE8, SXP, SXQ4, SXU, SX2, VA, VAAE, VAC2, VAG2, VA2, VCN2, VDB2, VDE1, VDE2, VD2, VE, VH, VHE, VJE2, VJ2, VKB2, VK2, VMA2, VME2, VMX, VM2, VNG1, VNG2, VN17, VN27, VSD, VSD7, VTE1, VTE5, VVA, VWA2, VWT4, VX, VXB, VXB7, VXE, VXEB, VXE2, VXE4, VXE6, VXE7, VXE8, VXF8, VXQ4, VXTB, VXT1, VXU, VXU1, VX8, YJ
		(CARBURETOR NO.)	1	-	-	-----	BE48B A VAA, ZK1
			-	(1)	-	-----	
4	16015-ZE2-005	CHAMBER SET, FLOAT	1	-	-	-----	SHEZ
		(CARBURETOR NO.)	1	-	-	-----	BE48B A BJ, ED8, ED9, ES1, HA, HH, HJA, HX, LH, LHB1, LHB3, LHE, LHP1, LJ, LJG, LTK, LX, LXE, LXE4, LXQ4, LXZ, PX, PXE, QA, QAE, QE, QH, QHB3, QHE, QKA4, QME0, QNE, QN18, QP, QT, QX, QXB, QXE, QXEB, QXE4, QXQ4, SCK4, SE, SH, SHB1, SHB3, SHE, SHQ4, SHW, SJ, SJG, SKA, SMC1, SMD3, SME0, SME6, STC4, SWE, SWX, SX, SXB, SXE, SXEB, SXE4, SXP, SXQ4, VA, VAA, VAAE, VDE1, VE, VH, VHE, VMX, VNG1, VNG2, VSD, VVA, VX, VXB, VXE, VXEB, VXE4, VXQ4, VXU, VXU1, YJ, ZK1
		//	1	-	-	-----	BE49A A LHC, QHC, QME1, QXC, QXC4, SNC
		//	1	-	-	-----	BE85A A HAQ, QAQ, QNE9
		//	1	-	-	-----	BE85B A HA2, HJA2, LXE2, LX2, QAE2, QAE6, QA2, QA26, QH2, QKA2, QKE2, QNE2, QNE6, QNR2, QXE2, QXE6, SNT2, SX2, VAG2, VA2, VDE2, VMA2, VWA2, VXE2
		//	1	-	-	-----	BE85C A QDW9, QXC6, QXC9, SNC9
		//	-	(1)	-	-----	BE48B A

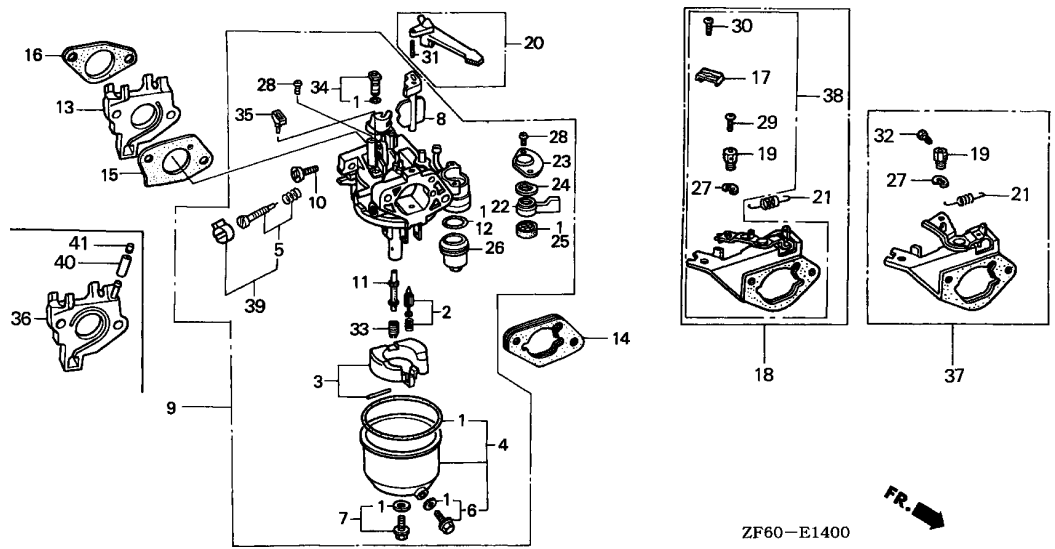




Ref. No.	Part No.	Description	Reqd. QTY			Serial No.	Parts catalogue code
			(1)	(2)	(3)		
(4)	16015-ZE8-005	CHAMBER SET, FLOAT	1	-	-	-----	LHW,LKE,LKF1,LMH,LP,LT, LTK1,LWD,LXE8,LXU,PAE2,PA2,PXE8,PXU,QAW QHP1,QKB2,QK4,QMH,QMP,QND,QNE8,QNK,QNR6,QWA2,QWA4,QWC4,QWH2,QWT2 QXB7,QXE7,QXE8,QXQ7,QXS4,QXU,SKAE,SME1,SMX,SM11,SM32,SWA4,SXB7 SXC,SXE7,SXE8,SXU,VAC2,VCN2,VDB2,VD2,VJE2,VJ2,VKB2,VK2,VME2,VM2 VN17,VN27,VSD7,VTE1,VTE5,VWT4,VXB7,VXE6,VXE7,VXE8,VXFB,VXTB,VXT1 VX8
		(CARBURETOR NO.)	1	-	-	BE48B B -----	BJ,ED8,ED9,ES1,HA,HH,HJA,HX,LH,LHB1,LHB3,LHE,LHP1,LJ,LJG,LTK,LX LXE,LXE4,LXQ4,LXZ,PX,PXE,QA,QAE,QE,QH,QHB3,QHE,QKA4,QME0,QNE,QN18 QP,QT,QX,QXB,QXE,QXE8,QXE4,QXQ4,SCK4,SE,SH,SHB1,SHB3,SHE,SHQ4,SHW SJ,SJG,SKA,SMC1,SMD3,SME0,SME6,STC4,SWE,SWX,SX,SXB,SXE,SXEB,SXE4 SXP,SXQ4,VA,VAE,VDE1,VE,VH,VHE,VMX,VNG1,VNG2,VSD,VWA,VX,VXB,VXE VXE8,VXE4,VXQ4,VXU,VXU1,YJ
	///		1	-	-	BE49A B -----	LHC,QHC,QME1,QXC,QXC4,SNC
	///		1	-	-	BE85A B -----	HAQ,QAQ,QNE9
	///		1	-	-	BE85B B -----	HA2,HJA2,LXE2,LX2,QAE2,QAE6,QA2,QA26,QH2,QKA2,QKE2,QNE2,QNE6,QNR2 QXE2,QXE6,SNT2,SX2,VAG2,VA2,VDE2,VMA2,VWA2,VXE2
	///		1	-	-	BE85C B -----	QDW9,QXC6,QXC9,SNC9
	///		-	(1)	-	BE48B B	

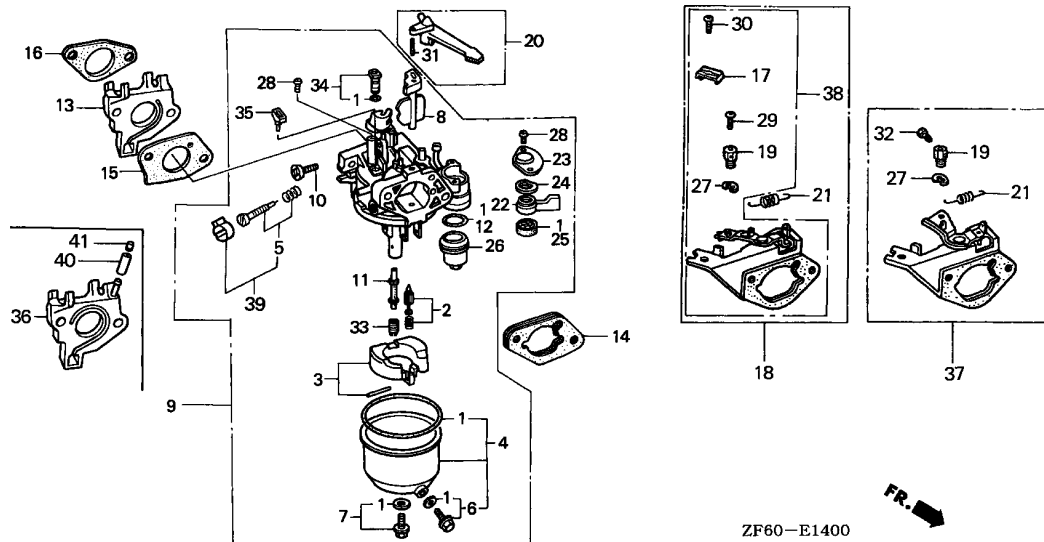
Ref. No.	Part No.	Description	Reqd. QTY			Serial No.	Parts catalogue code
			GX390K1	(1)	(2)		
5	16016-ZE0-005	SCREW SET, PILOT	1	-	-	-----	BJ, ES1, HA, HJA, HX, LHB1, LHC, LHW, LKF1, LP, LT, LTK1, LWD, LXZ, QA, QAE, QHC, QME1, QMP, QP, QT, QXC4, SE, SHEZ, SHW, SKA, SMD3, SNC, SWE, SWX, SXP, VA, VAAE, VDE1, VE, VH, VHE, VTE5, VWA, VWT4, VXT1, YJ
		(CARBURETOR NO.)	1	-	-	-----	BE48B A VAA, ZK1
		“	1	-	-	-----	BE48B B ED8, ED9, HH, LH, LHB3, LHE, LHP1, LJ, LJG, LMH, LTK, LX, LXE, LXE4, LXE8, LXQ4, LXU, PX, PXE, PXE8, PXU, QE, QH, QHB3, QHE, QHP1, QKA4, QME0, QMH, QNE, QNE8, QN18, QX, QXB, QXE, QXEB, QXE4, QXE8, QXQ4, QXU, SCK4, SH, SHB1, SHB3, SHE, SHQ4, SJ, SJG, SMC1, SME0, SME1, SME6, SMX, SM11, STC4, SWA4, SX, SXB, SXE, SXEB, SXE4, SXE8, SXQ4, SXU, VMX, VNG1, VNG2, VSD, VTE1, VX, VXB, VXE, VXE8, VXE4, VXE8, VXF8, VXQ4, VXTB, VXU, VXU1, VX8
		“	1	-	-	-----	BE49A B QXC
			-	(1)	-		
6	16024-ZE1-811	SCREW SET, DRAIN	1	-	-	-----	BJ, ED8, ED9, ES1, HA, HAQ, HA2, HH, HJA, HJA2, HX, LH, LHB1, LHB3, LHC, LHE, LHP1, LHW, LJ, LJG, LKE, LKF1, LMH, LP, LT, LTK, LTK1, LWD, LX, LXE, LXE2, LXE4, LXE8, LXQ4, LXU, LXZ, LX2, PAE2, PA2, PX, PXE, PXE8, PXU, QA, QAE, QAE2, QAE6, QAA, QAW, QA2, QA26, QDW9, QE, QH, QHB3, QHC, QHE, QHP1, QH2, QKA2, QKA4, QKB2, QKE2, QK4, QME0, QME1, QMH, QMP, QND, QNE, QNE2, QNE6, QNE8, QNE9, QNK, QNR2, QNR6, QN18, QP, QT, QWA2, QWA4, QWC4, QWH2, QWT2, QX, QXB, QXB7, QXC, QXC4, QXC6, QXC9, QXE, QXEB, QXE2, QXE4, QXE6, QXE7, QXE8, QXQ4, QXQ7, QXS4, QXU, SCK4, SE, SH, SHB1, SHB3, SHE, SHEZ, SHQ4, SHW, SJ, SJG, SKA, SKAE, SMC1, SMD3, SME0, SME1, SME6, SMX, SM11, SM32, SNC, SNC9, SNT2, STC4, SWA4, SWE, SWX, SX, SXB, SXB7, SXC, SXE, SXEB, SXE4, SXE7, SXE8, SXP, SXQ4, SXU, SX2, VA, VAAE, VAC2, VAG2, VA2, VCN2, VDB2, VDE1, VDE2, VD2, VE, VH, VHE, VJE2, VJ2, VKB2, VK2, VMA2, VME2, VMX, VM2, VNG1, VNG2, VN17, VN27, VSD, VSD7, VTE1, VTE5, VWA, VWA2, VWT4, VX, VXB, VXB7, VXE, VXEB, VXE2, VXE4, VXE6, VXE7, VXE8, VXF8, VXQ4, VXTB, VXT1, VXU, VXU1, VX8, YJ
		(CARBURETOR NO.)	1	-	-	-----	BE48B A VAA, ZK1
			-	(1)	-		
7	16028-ZE0-005	SCREW SET	1	-	-	-----	BJ, ED8, ED9, ES1, HA, HAQ, HA2, HH, HJA, HJA2, HX, LH, LHB1, LHB3, LHC, LHE, LHP1, LHW, LJ, LJG, LKE, LKF1, LMH, LP, LT, LTK, LTK1, LWD, LX, LXE, LXE2, LXE4, LXE8, LXQ4, LXU, LXZ, LX2, PAE2, PA2, PX, PXE, PXE8, PXU, QA, QAE, QAE2, QAE6, QAA, QAW, QA2, QA26, QDW9, QE, QH, QHB3, QHC, QHE, QHP1, QH2, QKA2, QKA4, QKB2, QKE2, QK4, QME0, QME1, QMH, QMP, QND, QNE, QNE2, QNE6, QNE8, QNE9, QNK, QNR2, QNR6, QN18, QP, QT, QWA2, QWA4, QWC4, QWH2, QWT2, QX, QXB, QXB7, QXC, QXC4, QXC6, QXC9, QXE, QXEB, QXE2, QXE4, QXE6, QXE7, QXE8, QXQ4, QXQ7, QXS4, QXU, SCK4, SE, SH, SHB1, SHB3, SHE, SHEZ, SHQ4, SHW, SJ, SJG, SKA, SKAE, SMC1, SMD3, SME0, SME1, SME6, SMX, SM11, SM32, SNC, SNC9, SNT2, STC4, SWA4, SWE, SWX, SX, SXB, SXB7, SXC, SXE, SXEB, SXE4, SXE7, SXE8, SXP, SXQ4, SXU, SX2, VA, VAAE, VAC2, VAG2, VA2, VCN2, VDB2, VDE1, VDE2, VD2, VE, VH, VHE, VJE2, VJ2, VKB2, VK2, VMA2, VME2, VMX, VM2, VNG1, VNG2, VN17, VN27, VSD, VSD7, VTE1, VTE5, VWA, VWA2, VWT4, VX, VXB, VXB7, VXE, VXEB, VXE2, VXE4, VXE6, VXE7, VXE8, VXF8, VXQ4, VXTB, VXT1, VXU, VXU1, VX8, YJ
		(CARBURETOR NO.)	1	-	-	-----	BE48B A VAA, ZK1
			-	(1)	-		





Ref. No.	Part No.	Description	Reqd. QTY GX390K1 (1) (2) (3)	Serial No.	Parts catalogue code
8	16044-ZE3-W20	CHOKE SET	1	-	BJ, ED8, ED9, ES1, HA, HAQ, HA2, HH, HJA, HJA2, HX, LH, LHB1, LHB3, LHC, LHE, LHP1, LHW, LJ, LJG, LKE, LKF1, LMH, LP, LT, LTK, LTK1, LWD, LX, LXE, LXE2, LXE4, LXE8, LXQ4, LXU, LXZ, LX2, PAE2, PA2, PX, PXE, PXE8, PXU, QA, QAE, QAE2, QAE6, QAQ, QAW, QA2, QA26, QDW9, QE, QH, QHB3, QHC, QHE, QHP1, QH2, QKA2, QKA4, QKB2, QKE2, QK4, QME0, QME1, QMH, QMP, QND, QNE, QNE2, QNE6, QNE8, QNE9, QNK, QNR2, QNR6, QN18, QP, QT, QWA2, QWA4, QWC4, QWH2, QWT2, QX, QXB, QXB7, QXC, QXC4, QXC6, QXC9, QXE, QXEB, QXE2, QXE4, QXE6, QXE7, QXE8, QXQ4, QXQ7, QXS4, QXU, SCK4, SE, SH, SHB1, SHB3, SHE, SHEZ, SHQ4, SHW, SJ, SJG, SKA, SKAE, SMC1, SMD3, SME0, SME1, SME6, SMX, SM11, SM32, SNC, SNC9, SNT2, STC4, SWA4, SWE, SWX, SX, SXB, SXB7, SXC, SXE, SXEB, SXE4, SXE7, SXE8, SXP, SXQ4, SXU, SX2, VA, VAAE, VAC2, VAG2, VA2, VCN2, VDB2, VDE1, VDE2, VD2, VE, VH, VHE, VJE2, VJ2, VKB2, VK2, VMA2, VME2, VMX, VM2, VNG1, VNG2, VN17, VN27, VSD, VSD7, VTE1, VTE5, VWA, VWA2, VWT4, VX, VXB, VXB7, VXE, VXEB, VXE2, VXE4, VXE6, VXE7, VXE8, VXF8, VXQ4, VXTB, VXT1, VXU, VXU1, VX8, YJ
		(CARBURETOR NO.)	1	-	BE48B A VAA, ZK1
9	16100-ZF6-W10	CARBURETOR ASSY. (BE49A A) ..	1	-	2254363 LWD
			1	-	2258148 QXC
			1	-	2294396 LHC, QHC, QME1, QXC4, SNC
			-	(1)	2254363

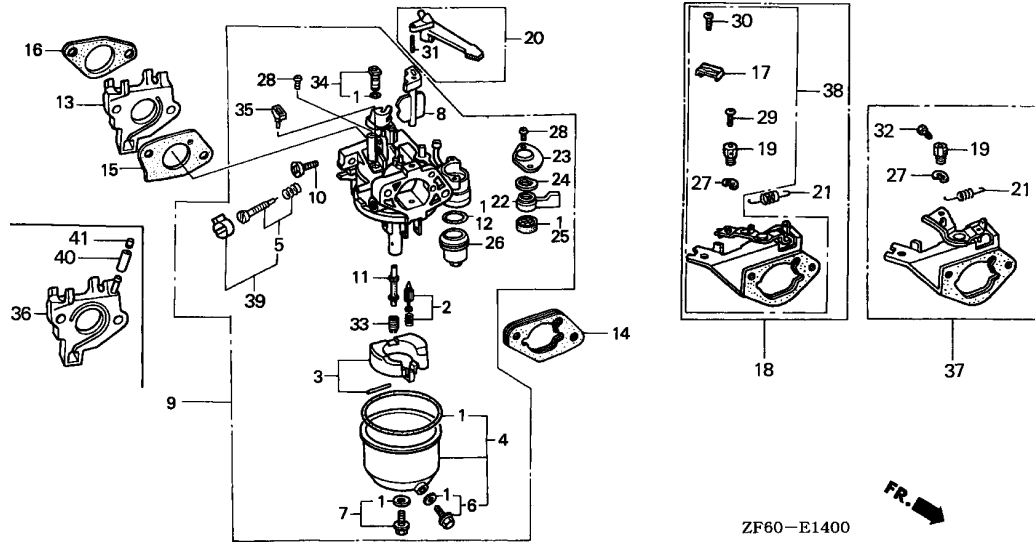
Ref. No.	Part No.	Description	Reqd. QTY			Serial No.	Parts catalogue code
			GX390K1	(1)	(2)		
(9)	16100-ZF6-W30	CARBURETOR ASSY. (BE48B A)	--	1	-	-----	SHEZ
				1	-	-----	2148716 VAA
				1	-	-----	2240894 ZK1
				1	-	-----	2254363 BJ,ED8,ED9,ES1,HA,HH,HJA,HX,LH,LHB1,LHB3,LHE,LHP1,LJ,LJG,LTK,LX,LXE,LXE4,LXQ4,LXZ,PX,PXE,QA,QAE,QE,QH,QHB3,QHE,QKA4,QMEO,QNE,QN18,QP,QT,QX,QXB,QXE,QXEB,QXE4,QXQ4,SCK4,SE,SH,SHB1,SHB3,SHE,SHQ4,SHW,SJ,SJG,SKA,SMC1,SMD3,SME0,SME6,STC4,SWE,SWX,SX,SXB,SXE,SXEB,SXE4,SXP,SXQ4,VA,VAAE,VDE1,VE,VH,VHE,VMX,VNG1,VNG2,VSD,VVA,VX,VXB,VXE,VXEB,VXE4,VXQ4,VXU,VXU1,YJ
				-	(1)	-----	2254363
	16100-ZF6-Y31	CARBURETOR ASSY. (BE84A A)	--	1	-	-----	LP
	16100-ZF6-V20	CARBURETOR ASSY. (BE85C A)	--	1	-	-----	2255248 QDW9,QXC6,QXC9,SNC9
	16100-ZF6-W11	CARBURETOR ASSY. (BE49A B)	--	1	-	-----	2254364 LWD
				1	-	-----	2294397 LHC,QHC,QME1,QXC4,SNC
				1	-	-----	2258149 2658574 QXC
				-	(1)	-----	2254364
	16100-ZF6-W31	CARBURETOR ASSY. (BE48B B)	--	1	-	-----	LHW,LT,LTK1,QMP,VTE5,VMT4,VXT1
				1	-	-----	2254364 BJ,ES1,HA,HJA,HX,LHB1,LXZ,QA,QAE,QP,QT,SE,SHW,SKA,SMD3,SWE,SWX,SXP,VA,VAAE,VDE1,VE,VH,VHE,VVA,YJ
				1	-	-----	2490913 SWA4
				1	-	-----	2658574 LMH,LXE8,LXU,PXE8,PXU,QHP1,QMH,QNE8,QXE8,QXU,SMX,SXE8,SXU,VTE1,VXE8,VXFB,VXTB,VX8
				1	-	-----	2746759 SME1,SM11
				1	-	-----	2254364 2658574 ED8,ED9,HH,LH,LHB3,LHE,LHP1,LJ,LJG,LTK,LX,LXE,LXE4,LXQ4,PX,PXE,QE,QH,QHB3,QHE,QKA4,QMEO,QNE,QN18,QX,QXB,QXE,QXEB,QXE4,SCK4,SH,SHB1,SHB3,SHE,SHQ4,SJ,SJG,SMC1,SME0,SME6,STC4,SX,SXB,SXE,SXEB,SXE4,SXQ4,VMX,VNG1,VNG2,VSD,VX,VXB,VXE,VXEB,VXE4,VXQ4,VXU,VXU1
				-	(1)	-----	2254364
	16100-ZF6-V00	CARBURETOR ASSY. (BE85B A)	--	1	-	-----	2255423 HA2,HJA2,LXE2,LX2,QAE2,QAE6,QA2,QA26,QH2,QKA2,QKE2,QNE2,QNE6,QNR2,QXE2,QXE6,SNT2,SX2,VAG2,VA2,VDE2,VMA2,VWA2,VXE2
	16100-ZF6-V21	CARBURETOR ASSY. (BE85C B)	--	1	-	-----	QWA4,QWC4,QWH2,QWT2,QXS4
				1	-	-----	2255249 QDW9,QXC6,QXC9,SNC9
				1	-	-----	2658575 QXC
	16100-ZF6-Y01	CARBURETOR ASSY. (BE85E B)	--	1	-	-----	LKF1
	16100-ZF6-W50	CARBURETOR ASSY. (BE85A A)	--	1	-	-----	2258148 HAQ,QAQ,QNE9
	16100-ZF6-W51	CARBURETOR ASSY. (BE85A B)	--	1	-	-----	2258149 HAQ,QAQ,QNE9
	16100-ZF6-V01	CARBURETOR ASSY. (BE85B B)	--	1	-	-----	LKE,PAE2,PA2,QAW,QKB2,QK4,QND,QNK,QNR6,QWA2,QXB7,QXE7,QXQ7,SKAE,SM32,SXB7,SXC,SXE7
				1	-	-----	2255424 HA2,HJA2,LXE2,LX2,QAE2,QAE6,QA2,QA26,QH2,QKA2,QKE2,QNE2,QNE6,QNR2,QXE2,QXE6,SNT2,SX2
				1	-	-----	2490914 SWA4
				1	-	-----	2658575 HH,LH,LHB3,LHE,LHP1,LJ,LJG,LMH,LTK,LX,LXE,LXE4,LXE8,LXQ4,LXU,PX,PXE,PXE8,PXU,QE,QH,QHB3,QHE,QHP1,QKA4,QMEO,QMH,QNE,QNE8,QN18,QX,QXB,QXE,QXEB,QXE4,QXE8,QXQ4,QXU,SCK4,SH,SHB1,SHB3,SHE,SHQ4,SJ,SJG,SMC1,SME0,SME6,SMX,STC4,SX,SXB,SXE,SXEB,SXE4,SXE8,SXQ4,SXU,VMX,SME1,SM11
				1	-	-----	2255424 2275819 VAG2,VA2,VDE2,VMA2,VWA2,VXE2
				1	-	-----	2658575 2767617 ED8,ED9,VNG1,VNG2,VSD,VTE1,VX,VXB,VXE,VXEB,VXE4,VXE8,VXFB,VXQ4,VXTB,VXU,VXU1,VX8
	16100-ZF6-U01	CARBURETOR ASSY. (BE85F A)	--	1	-	-----	2794995 VD2,VJE2,VJ2,VKB2,VME2,VM2,VXE6
				1	-	-----	2275820 2794995 VAG2,VA2,VDE2,VMA2,VWA2,VXE2
	16100-ZF6-V51	CARBURETOR ASSY. (BE85J A)	--	1	-	-----	VAC2,VCN2,VDB2,VK2,VN17,VN27,VSD7,VXB7,VXE7
				1	-	-----	2767618 ED8,ED9,VNG1,VNG2,VSD,VTE1,VX,VXB,VXE,VXEB,VXE4,VXE8,VXFB,VXQ4,VXTB,VXU,VXU1,VX8
				1	-	-----	2794996 VAG2,VA2,VDE2,VD2,VJE2,VJ2,VKB2,VMA2,VME2,VM2,VWA2,VXE2,VXE6



Ref. No.	Part No.	Description	Reqd. QTY GX390K1 (1) (2) (3)	Serial No.	Parts catalogue code
10	16124-ZE0-005	SCREW, THROTTLE STOP	1	-	BJ, ED8, ED9, ES1, HA, HAQ, HA2, HH, HJA, HJA2, HX, LH, LHB1, LHB3, LHC, LHE, LHP1, LHW, LJ, LJG, LKE, LKF1, LMH, LP, LT, LTK, LTK1, LWD, LX, LXE, LXE2, LXE4, LXE8, LXQ4, LXU, LXZ, LX2, PAE2, PA2, PX, PXE, PXE8, PXU, QA, QAE, QAE2, QAE6, QAQ, QAW, QA2, QA26, QDW9, QE, QH, QHB3, QHC, QHE, QHP1, QH2, QKA2, QKA4, QKB2, QKE2, QK4, QME0, QME1, QMH, QMP, QND, QNE, QNE2, QNE6, QNE8, QNE9, QNK, QNR2, QNR6, QN18, QP, QT, QWA2, QWA4, QWC4, QWH2, QWT2, QX, QXB, QXB7, QXC, QXC4, QXC6, QXC9, QXE, QXEB, QXE2, QXE4, QXE6, QXE7, QXE8, QXQ4, QXQ7, QXS4, QXU, SCK4, SE, SH, SHB1, SHB3, SHE, SHEZ, SHQ4, SHW, SJ, SJG, SKA, SKAE, SMC1, SMD3, SME0, SME1, SME6, SMX, SM11, SM32, SNC, SNC9, SNT2, STC4, SWA4, SWE, SWX, SX, SXB, SXB7, SXC, SXE, SXEB, SXE4, SXE7, SXE8, SXP, SXQ4, SXU, SX2, VA, VAAE, VAC2, VAG2, VA2, VCN2, VDB2, VDE1, VDE2, VD2, VE, VH, VHE, VJE2, VJ2, VKB2, VK2, VMA2, VME2, VMX, VM2, VNG1, VNG2, VN17, VN27, VSD, VSD7, VTE1, VTE2, VTE5, VVA, VWA2, VWT4, VX, VXB, VXB7, VXE, VXEB, VXE2, VXE4, VXE6, VXE7, VXE8, VXF, VXQ4, VXTB, VXT1, VXU, VXU1, VX8, YJ
		(CARBURETOR NO.)	1	-	BE48B A VAA, ZK1
			-	(1)	-
11	16166-ZF6-W10	NOZZLE, MAIN	1	(1)	LHC, LWD, QDW9, QHC, QME1, QWA4, QWC4, QWH2, QWT2, QXC, QXC4, QXC6, QXC9, QXS4, Q1, SNC, SNC9
		(CARBURETOR NO.)	-	(1)	BE49A A L1, S1, V1

Ref. No.	Part No.	Description	Reqd. QTY			Serial No.	Parts catalogue code
			GX390K1	(1)	(2)		
11)	16166-ZF6-W20	NOZZLE, MAIN	1	(1)	-	-----	BJ, ES1, HA, HJA, HX, LHB1, LHW, LKF1, LP, LT, LTK1, LXZ, QA, QAE, QMP, QP, QT, Q1 SE, SHEZ, SHW, SKA, SMD3, SWE, SWX, SXP, VA, VAAE, VDE1, VE, VH, VHE, VTE5, VWA VWT4, VXT1, V1, YJ
		(CARBURETOR NO.)	1	(1)	-	-----	BE48B A L1, S1, VAA, ZK1
		//	1	-	-	-----	BB48B B SWA4
		//	1	-	-	-----	BE48B B LJ, LJG, LTK, QNE, QN18, SJ, SJG, SME1, SM11, VXE
		//	1	-	-	-----	BE49A B ED8, ED9, HH, LH, LHB3, LHE, LHP1, LMH, LX, LXE, LXE4, LXE8, LXQ4, LXU, PX, PXE PXE8, PXU, QE, QH, QHB3, QHE, QHP1, QKA4, QMEO, QMH, QNE8, QX, QXB, QXE, QXEB QXE4, QXE8, QXQ4, QXU, SCK4, SH, SHB1, SHB3, SHE, SHQ4, SMC1, SMEO, SME6, SMX STC4, SX, SXB, SXE, SXEB, SXE4, SXE8, SXQ4, SXU, VMX, VNG1, VNG2, VSD, VTE1, VV VXB, VXE8, VXE4, VXE8, VXF8, VXQ4, VXTB, VXU, VXU1, VX8
	16166-ZF6-W50	1	-	-	-----	HAQ, QAO, QNE9
	16166-ZF6-V00	1	-	-	-----	HA2, HJA2, LKE, LXE2, LX2, PAE2, PA2, QAE2, QAE6, QAW, QA2, QA26, QH2, QKA2 QKB2, QKE2, QK4, QND, QNE2, QNE6, QNK, QNR2, QNR6, QWA2, QXB7, QXE2, QXE6 QXE7, QXQ7, SKAE, SM32, SNT2, SXB7, SXC, SXE7, SX2, VAC2, VAG2, VA2, VCN2 VDB2, VDE2, VD2, VJE2, VJ2, VKB2, VK2, VMA2, VME2, VM2, VN17, VN27, VSD7, VWA2 VXB7, VXE2, VXE6, VXE7
		(CARBURETOR NO.)	1	-	-	-----	LJ, LJG, LTK, QNE, QN18, SJ, SJG, SME1, SM11, SWA4, VXE
		//	1	-	-	-----	ED8, ED9, HH, LH, LHB3, LHE, LHP1, LMH, LX, LXE, LXE4, LXE8, LXQ4, LXU, PX, PXE PXE8, PXU, QE, QH, QHB3, QHE, QHP1, QKA4, QMEO, QMH, QNE8, QX, QXB, QXE, QXEB QXE4, QXE8, QXQ4, QXU, SCK4, SH, SHB1, SHB3, SHE, SHQ4, SMC1, SMEO, SME6, SMX STC4, SX, SXB, SXE, SXEB, SXE4, SXE8, SXQ4, SXU, VMX, VNG1, VNG2, VSD, VTE1, VV VXB, VXE8, VXE4, VXE8, VXF8, VXQ4, VXTB, VXU, VXU1, VX8
12	16173-001-004	PACKING, FUEL STRAINER CUP ..	1	-	-	-----	BJ, ED8, ED9, ES1, HA, HAQ, HA2, HH, HJA, HJA2, HX, LH, LHB1, LHB3, LHC, LHE LHP1, LHW, LJ, LJG, LKE, LKF1, LMH, LP, LT, LTK, LTK1, LWD, LX, LXE, LXE2, LXE4 LXE8, LXQ4, LXU, LXZ, LX2, PAE2, PA2, PX, PXE, PXE8, PXU, QA, QAE, QAE2, QAE6 QAO, QAW, QA2, QA26, QDW9, QE, QH, QHB3, QHC, QHE, QHP1, QH2, QKA2, QKA4, QKB2 QKE2, QK4, QMEO, QME1, QMH, QMP, QND, QNE, QNE2, QNE6, QNE8, QNE9, QNK, QNR2 QNR6, QN18, QP, QT, QWA2, QWA4, QWC4, QWH2, QWT2, QX, QXB, QXB7, QXC, QXC4 QXC6, QXC9, QXE, QXEB, QXE2, QXE4, QXE6, QXE7, QXE8, QXQ4, QXQ7, QXS4, QXU SCK4, SE, SH, SHB1, SHB3, SHE, SHEZ, SHQ4, SHW, SJ, SJG, SKA, SKAE, SMC1, SMD3 SMEO, SME1, SME6, SMX, SM11, SM32, SNC, SNC9, SNT2, STC4, SWA4, SWE, SWX, SX SXB, SXB7, SXC, SXE, SXEB, SXE4, SXE7, SXE8, SXP, SXQ4, SXU, SX2, VA, VAAE VAC2, VAG2, VA2, VCN2, VDB2, VDE1, VDE2, VD2, VE, VH, VHE, VJE2, VJ2, VKB2, VK2 VMA2, VME2, VMX, VM2, VNG1, VNG2, VN17, VN27, VSD, VSD7, VTE1, VTE5, VWA, VWA2 VWT4, VX, VXB, VXB7, VXE, VXE8, VXE2, VXE4, VXE6, VXE7, VXE8, VXF8, VXQ4, VXTB VXT1, VXU, VXU1, VX8, YJ
		(CARBURETOR NO.)	1	-	-	-----	BE48B A VAA, ZK1
			1	(1)	-	-----	QXB7, QXE7, QXQ7, QXS4, Q1, SXB7, SXC, SXE7, VSD7
13	16211-ZF6-000	INSULATOR, CARBURETOR	1	-	-	-----	BJ, ED8, ED9, ES1, HA, HAQ, HA2, HH, HJA, HJA2, HX, LH, LHB1, LHB3, LHC, LHE LHP1, LHW, LJ, LJG, LKE, LKF1, LMH, LP, LT, LTK, LTK1, LWD, LX, LXE, LXE2, LXE4 LXE8, LXQ4, LXU, LXZ, LX2, PAE2, PA2, PX, PXE, PXE8, PXU, QA, QAE, QAE2, QAE6 QAO, QAW, QA2, QA26, QDW9, QE, QH, QHB3, QHC, QHE, QHP1, QH2, QKA2, QKA4, QKB2 QKE2, QK4, QMEO, QME1, QMH, QMP, QND, QNE, QNE2, QNE6, QNE8, QNE9, QNK, QNR2 QNR6, QN18, QP, QT, QWA2, QWA4, QWC4, QWH2, QWT2, QX, QXB, QXB7, QXC, QXC4 QXC6, QXC9, QXE, QXEB, QXE2, QXE4, QXE6, QXE7, QXE8, QXQ4, QXQ7, QXS4, QXU SCK4, SE, SH, SHB1, SHB3, SHE, SHEZ, SHQ4, SHW, SJ, SJG, SKA, SKAE, SMC1, SMD3 SMEO, SME1, SME6, SMX, SM11, SM32, SNC, SNC9, SNT2, STC4, SWA4, SWE, SWX, SX SXB, SXB7, SXC, SXE, SXEB, SXE4, SXE7, SXE8, SXP, SXQ4, SXU, SX2, VA, VAAE VAC2, VAG2, VA2, VCN2, VDB2, VDE1, VDE2, VD2, VE, VH, VHE, VJE2, VJ2, VKB2 VMA2, VME2, VMX, VM2, VNG1, VNG2, VN17, VN27, VSD, VSD7, VTE1, VTE5, VWA, VWA2 VWT4, VX, VXB, VXB7, VXE, VXE8, VXE2, VXE4, VXE6, VXE7, VXE8, VXF8, VXQ4, VXTB VXT1, VXU, VXU1, VX8, YJ
			1	-	-	-----	2148716 VAA
			1	-	-	-----	2240894 ZK1
			-	1	-	-----	
	16211-ZE3-000	1	-	-	-----	2240894 ZK1

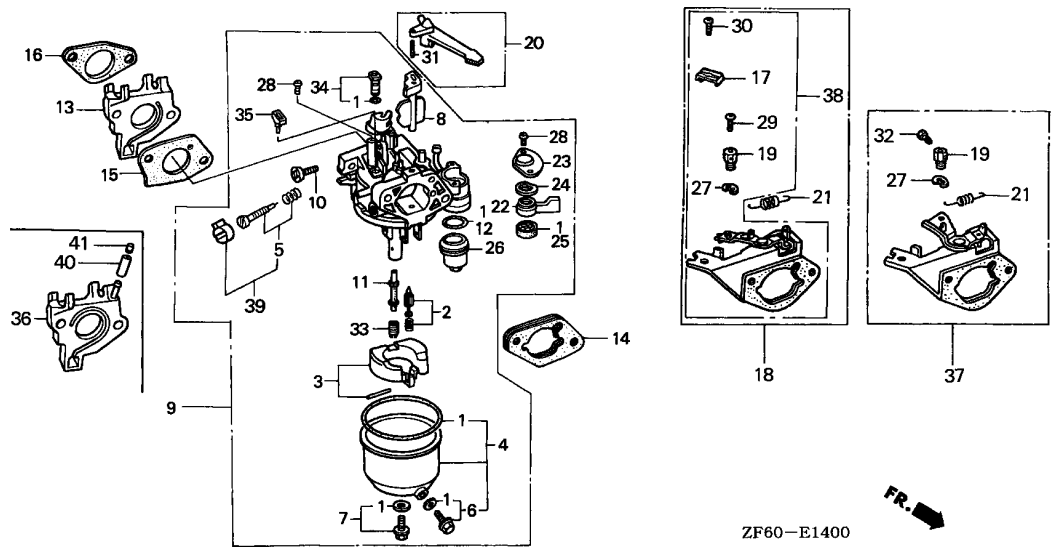




Ref. No.	Part No.	Description	Reqd. QTY			Serial No.	Parts catalogue code
			(1)	(2)	(3)		
14	16220-ZA0-702	SPACER COMP., CARBURETOR	1	-	-	-----	BJ, ED8, ED9, ES1, HA, HAQ, HA2, HH, HJA, HJA2, HX, LH, LHB1, LHB3, LHC, LHE, LHP1, LHW, LJ, LJG, LMH, LP, LT, LWD, LX, LXE, LXE2, LXE4, LXQ4, LXU, LXZ, LX2, PAE2, PA2, PX, PXE, PXE8, PXU, QA, QAE, QAE2, QAE6, QAQ, QAW, QA2, QA26, QDW9, QE, QH, QHB3, QHC, QHE, QHP1, QH2, QKA2, QKA4, QKB2, QKE2, QK4, QMED, QME1, QMH, QMP, QND, QNE, QNE2, QNE6, QNE8, QNE9, QNR2, QNR6, QN18, QP, QT, QWA2, QWA4, QWC4, QWT2, QX, QXB, QXB7, QXC, QXC4, QXC6, QXC9, QXE, QXEB, QXE2, QXE4, QXE6, QXE7, QXE8, QXQ4, QXQ7, QXS4, QXU, SCK4, SE, SH, SHB1, SHB3, SHE, SHEZ, SHQ4, SJ, SJG, SKAE, SMC1, SMD3, SME0, SME1, SME6, SMX, SM11, SM32, SNC, SNC9, SNT2, SWA4, SWE, SWX, SX, SXB, SXB7, SXC, SXE, SXEB, SXE4, SXE7, SXE8, SXP, SXQ4, SXU, SX2, VA, VAAE, VAC2, VAG2, VA2, VCN2, VDB2, VDE1, VDE2, VD2, VE, VH, VHE, VJE2, VJ2, VKB2, VK2, VMA2, VME2, VMX, VM2, VNG1, VNG2, VN17, VN27, VSD, VSD7, VTE1, VTE5, VWA, VWA2, VWT4, VX, VXB, VXB7, VXE, VXEB, VXE2, VXE4, VXE6, VXE7, VXE8, VXF8, VXQ4, VXTB, VXT1, VXU, VXU1, VX8, YJ
			1	-	-	2256142	----- STC4
			1	-	-	2148716	VAA
			-	(1)	-		
15	16221-ZE3-800	PACKING, CARBURETOR	1	-	-	-----	2240894 ZK1
	16221-ZF6-000	1	(1)	-	-----	2056148 LWD, Q1

Ref. No.	Part No.	Description	Reqd. QTY			Serial No.	Parts catalogue code
			(1)	(2)	(3)		
15)	16221-ZF6-800	PACKING, CARBURETOR	1	1	-	-----	BJ, ED8, ED9, ES1, HA, HAQ, HA2, HH, HJA, HJA2, HX, LH, LHB1, LHB3, LHC, LHE, LHP1, LJ, LJG, LKE, LKF1, LMH, LP, LT, LTK, LTK1, LX, LXE, LXE2, LXE4, LXE8, LXQ4, LXU, LXZ, LX2, L1, PAE2, PA2, PX, PXE, PXE8, PXU, QA, QAE, QAE2, QAE6, QAAQ, QAW, QA2, QA26, QDW9, QE, QH, QHB3, QHC, QHE, QHP1, QH2, QKA2, QKA4, QKB2, QKE2, QK4, QME0, QME1, QMH, QMP, QND, QNE, QNE2, QNE6, QNE8, QNE9, QNK, QNR2, QNR6, QN18, QP, QT, QWA2, QWA4, QWC4, QWH2, QWT2, QX, QXB, QXB7, QXC, QXC4, QXC6, QXC9, QXE, QXE2, QXE4, QXE6, QXE7, QXE8, QXQ4, QXQ7, QXS4, QXU, SCK4, SE, SH, SHB1, SHB3, SHE, SHEZ, SHQ4, SHW, SJ, SJG, SKA, SKAE, SMC1, SMD3, SME0, SME1, SME6, SMX, SM11, SM32, SNC, SNC9, SNT2, STC4, SWA4, SWE, SWX, SX, SXB, SXB7, SXC, SXE, SXE4, SXE8, SXP, SXQ4, SXU, SX2, S1, VA, VAAE, VAC2, VAG2, VA2, VCN2, VDB2, VDE1, VDE2, VD2, VE, VH, VHE, VJE2, VJ2, VKB2, VK2, VMA2, VME2, VMX, VM2, VNG1, VNG2, VN17, VN27, VSD, VSD7, VTE1, VTE5, VWA, VWA2, VWT4, VX, VXB, VXB7, VXE, VXEB, VXE2, VXE4, VXE6, VXE7, VXE8, VXF8, VXQ4, VXTB, VXT1, VXU, VXU1, VX8, YJ
			1	-	-	-----	2148716 VAA
			1	-	-	-----	2240894 ZK1
			-	(1)	-	-----	2056148 Q1, V1
			1	(1)	-	-----	2056149 LWD, Q1
16	16223-ZE3-W00	PACKING, INSULATOR	1	(1)	-	-----	-----
			1	-	-	-----	2066750 LHC, QHC
			1	-	-	-----	2148716 VAA
			1	-	-	-----	2240894 ZK1
	16223-ZF6-000	1	(1)	-	-----	2056148 LWD, Q1
	16223-ZE3-W00	1	(1)	-	-----	2056149 LWD, Q1
17	16576-891-000	HOLDER, CABLE	1	-	-	-----	-----
			-	(1)	-	-----	LKE, LKF1, LTK, LTK1, QNK, QWH2, SHW, SKA, STC4
18	16590-ZE2-812	STAY ASSY., CHOKE CONTROL (REMOTE)	1	-	-	-----	-----
			-	(1)	-	-----	LKE, LTK, LTK1, QNK, QWH2, SHW, SKA, STC4
19	16594-883-010	HOLDER, WIRE	1	-	-	-----	-----
			1	-	-	-----	LKE, LKF1, LTK, LTK1, QNK, QWH2, SHW, SKA, STC4
			-	(1)	-	-----	2192261 2240894 ZK1
	16617-ZE3-H00	1	-	-	-----	2192260 ZK1

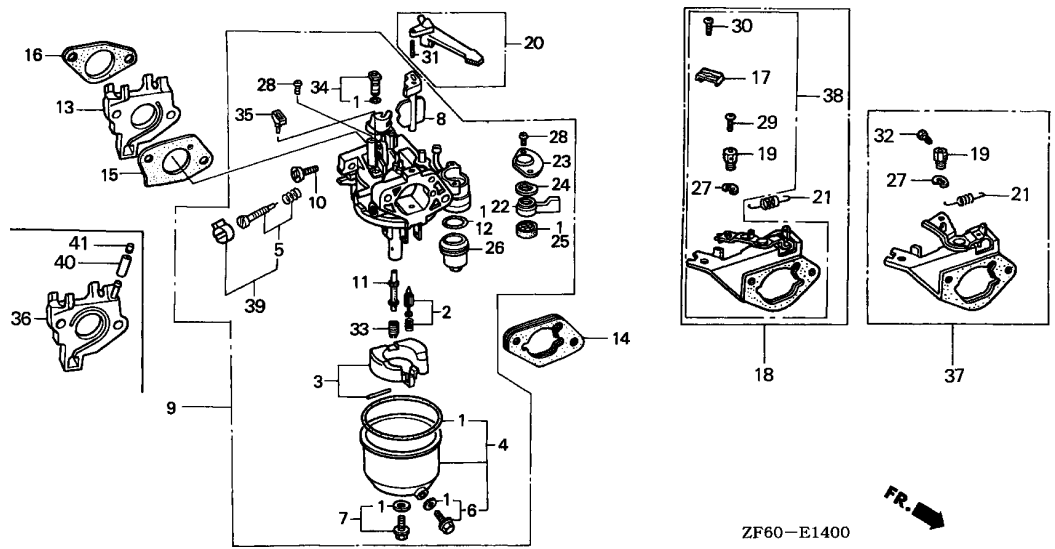




Ref. No.	Part No.	Description	Reqd. QTY			Serial No.	Parts catalogue code
			(1)	(2)	(3)		
20	16610-ZE1-000	LEVER COMP., CHOKE (STD.) ...	1	-	-	-----	BJ, ED8, ED9, ES1, HA, HAQ, HA2, HH, HJA, HJA2, HX, LH, LHB1, LHB3, LHC, LHE, LHP1, LHW, LJ, LJG, LMH, LP, LT, LWD, LX, LXE, LXE2, LXE4, LXE8, LXQ4, LXU, LXZ, LX2, PAE2, PA2, PX, PXE, PXE8, PXU, QA, QAE, QAE2, QAE6, QAQ, QAW, QA2, QA26, QDW9, QE, QH, QHB3, QHC, QHE, QHP1, QH2, QKA2, QKA4, QKB2, QKE2, QK4, QMED, QME1, QMH, QMP, QND, QNE, QNE2, QNE6, QNE8, QNE9, QNR2, QNR6, QN18, QP, QT, QWA2, QWA4, QWC4, QWT2, QX, QXB, QXB7, QXC, QXC4, QXC6, QXC9, QXE, QXEB, QXE2, QXE4, QXE6, QXE7, QXE8, QXQ4, QXQ7, QXS4, QXU, SCK4, SE, SH, SHB1, SHB3, SHE, SHEZ, SHQ4, SJ, SJG, SKAE, SMC1, SMD3, SME0, SME1, SME6, SMX, SM11, SM32, SNC, SNC9, SNT2, SWA4, SWE, SWX, SX, SXB, SXB7, SXC, SXE, SXEB, SXE4, SXE7, SXE8, SXP, SXQ4, SXU, SX2, VA, VAAE, VAC2, VAG2, VA2, VCN2, VDB2, VDE1, VDE2, VD2, VE, VH, VHE, VJE2, VJ2, VKB2, VK2, VMA2, VME2, VMX, VM2, VNG1, VNG2, VN17, VN27, VSD, VSD7, VTE1, VTE5, VWA, VWA2, VWT4, VX, VXB, VXB7, VXE, VXEB, VXE2, VXE4, VXE6, VXE7, VXE8, VXF8, VXQ4, VXTB, VXT1, VXU, VXU1, VX8, YJ
			1	-	-	2256142	----- STC4
			1	-	-	2148716	VAA
			-	(1)	-		
21	16615-ZE2-810	SPRING, RETURN	1	-	-	-----	LKE, LTK, LTK1, QNK, QWH2, SHW, SKA, STC4
			1	-	-	2240894	ZK1
			-	(1)	-		

Ref. No.	Part No.	Description	Reqd. QTY			Serial No.	Parts catalogue code	
			GX390K1	(1)	(2)			(3)
22	16953-ZE1-811	LEVER, COCK	1	-	-	-----	LHC,QHC,QME1,QNE2,QXC4,SHEZ,SNC	
		(CARBURETOR NO.)	1	-	-	-----	BE48B A BJ,ED8,ED9,ES1,HA,HH,HJA,HX,LH,LHB1,LHB3,LHE,LHP1,LJ,LJG,LTk,LX,LXE,LXE4,LXQ4,LXZ,PX,PXE,QA,QAE,QE,QH,QHB3,QHE,QKA4,QMEO,QNE,QN18,QP,QT,QX,QXB,QXC,QXE,QXEB,QXE4,QXQ4,SCK4,SE,SH,SHB1,SHB3,SHE,SHQ4,SHW,SJ,SJG,SKA,SMC1,SMD3,SME0,SME6,STC4,SWE,SWX,SX,AXB,SXE,SXEB,SXE4,SXP,SXQ4,VA,VAA,VAE,VDE1,VE,VH,VHE,VMX,VNG1,VNG2,VSD,VWA,VX,VXB,VXE,VXEB,VXE4,VXQ4,VXU,VXU1,YJ,ZK1	
		//	1	-	-	-----	BE85A A HAQ,QAQ,QNE9	
		//	1	-	-	-----	BE85B A HA2,HJA2,LXE2,LX2,QAE2,QAE6,QA2,QA26,QH2,QKA2,QKE2,QNE6,QNR2,QXE2,QXE6,SNT2, SX2,VDE2,VMA2	
		//	1	-	-	-----	BE85B B VAG2,VA2,VWA2,VXE2	
		//	1	-	-	-----	BE85C A QDW9,QXC6,QXC9,SNC9	
		//	-	(1)	-	-----	BE48B A	
		//	1	(1)	-	-----	BE49A A LWD,Q1	
		16953-ZE1-812	1	-	-	-----	LHW,LKE,LKF1,LMH,LP,LT,LTk1,LXE8,LXU,PAE2,PA2,PXE8,PXU,QAW,QHP1,QKB2,QK4,QMH,QMP,QND,QNE8,QNK,QNR6,QWA2,QWA4,QWC4,QWH2,QWT2,QXB7,QXE7,QXE8,QXQ7,QXS4,QXU,SKAE,SME1,SMX,SM11,SM32,SWA4,AXB7,SXC,SXE7,SXE8,SXU,VAC2,VCN2,VDB2,VD2,VJE2,VJ2,VKB2,VK2,VME2,VM2,VN17,VN27,VSD7,VTE1,VTE5,VWT4,VXB7,VXE6,VXE7,VXE8,VXFB,VXTB,VXT1,VX8
		(CARBURETOR NO.)	1	-	-	BE48B B	-----	BJ,ED8,ED9,ES1,HA,HH,HJA,HX,LH,LHB1,LHB3,LHE,LHP1,LJ,LJG,LTk,LX,LXE,LXE4,LXQ4,LXZ,PX,PXE,QA,QAE,QE,QH,QHB3,QHE,QKA4,QMEO,QNE,QN18,QP,QT,QX,QXB,QXC,QXE,QXEB,QXE4,QXQ4,SCK4,SE,SH,SHB1,SHB3,SHE,SHQ4,SHW,SJ,SJG,SKA,SMC1,SMD3,SME0,SME6,STC4,SWE,SWX,SX,AXB,SXE,SXEB,SXE4,SXP,SXQ4,VA,VAA,VAE,VDE1,VE,VH,VHE,VMX,VNG1,VNG2,VSD,VWA,VX,VXB,VXE,VXEB,VXE4,VXQ4,VXU,VXU1,YJ
//	1	-	-	BE49A B	-----	LHC,QHC,QME1,QXC4,SNC		
//	1	-	-	BE85A B	-----	HAQ,QAQ,QNE9		
//	1	-	-	BE85B B	-----	HA2,HJA2,LXE2,LX2,QAE2,QAE6,QA2,QA26,QH2,QKA2,QKE2,QNE2,QNE6,QNR2,QXE2,QXE6,SNT2, SX2,VDE2,VMA2		
//	1	-	-	BE85C B	-----	QDW9,QXC6,QXC9,SNC9		
//	1	-	-	BE85F A	-----	VAG2,VA2,VWA2,VXE2		
//	-	(1)	-	BE48B B	-----			
//	1	(1)	-	BE49A B	-----	LWD,Q1		
23	16954-ZE1-811	PLATE, LEVER SETTING	1	-	-	-----	LHB3,LHP1,PXE,PXE8,QHB3,QKA4,SCK4,SHB3,STC4	
		(CARBURETOR NO.)	1	-	-	-----	BE48B A BJ,ED8,ED9,ES1,HA,HH,HJA,HX,LH,LHB1,LHE,LJ,LJG,LTk,LX,LXE,LXQ4,LXZ,PX,QA,QAE,QE,QH,QHE,QMEO,QNE,QN18,QP,QT,QX,QXB,QXC,QXE,QXEB,QXE4,QXQ4,SE,SH,SHB1,SHE,SHEZ,SHQ4,SHW,SJ,SJG,SMC1,SMD3,SME0,SME6,SWE,SWX,SX,AXB,SXE,SXEB,SXE4,SXP,SXQ4,VA,VAA,VAE,VDE1,VE,VH,VHE,VMX,VNG1,VNG2,VSD,VWA,VX,VXB,VXE,VXEB,VXE4,VXQ4,VXU,VXU1,YJ,ZK1	
		//	1	-	-	BE49A A	LHC,QHC,QME1,QXC4,SNC	
		//	1	-	-	BE85B A	HA2,HJA2,LXE2,LX2,QAE2,QAE6,QA2,QA26,QH2,QKA2,QKE2,QNE2,QNE6,QNR2,QXE2,QXE6,SNT2, SX2,VAG2,VA2,VDE2,VMA2,VWA2,VXE2	
		//	(1)	-	-	-----	SKA	
		(CARBURETOR NO.)	-	(1)	-	-----	BE48B A	
		//	1	(1)	-	-----	BE49A A LWD,Q1	
		16954-ZFO-841	1	-	-	-----	BE85A A HAQ,QAQ,QNE9
		(CARBURETOR NO.)	1	-	-	-----	BE85C A QDW9,QXC6,QXC9,SNC9	
		//						

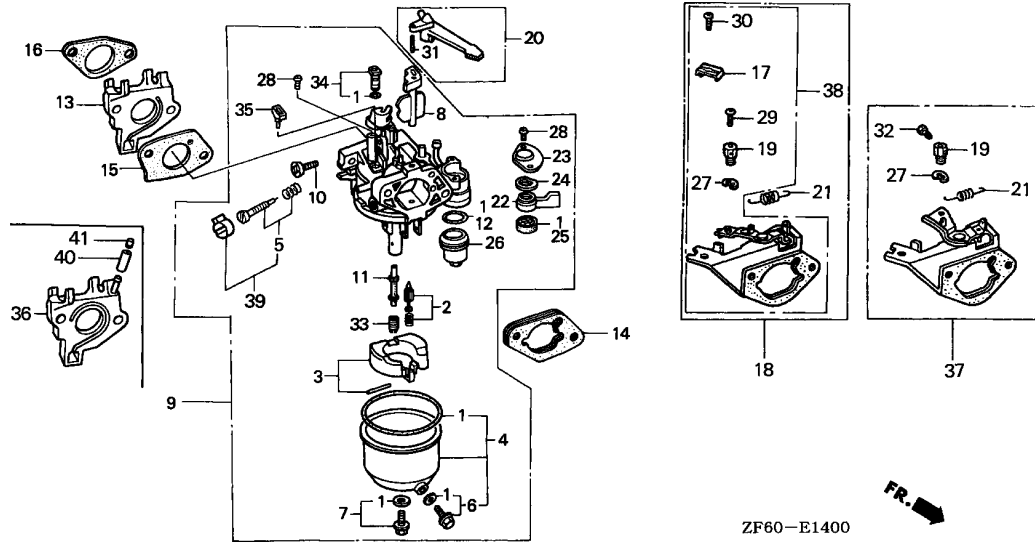




Ref. No.	Part No.	Description	Reqd. QTY			Serial No.	Parts catalogue code
			GX390K1				
			(1)	(2)	(3)		
23)	16954-ZE1-812	PLATE, LEVER SETTING	1	-	-	LHW,LKE,LKF1,LMH,LP,LT, LTK1,LXE8,LXU,PAE2,PA2,PXE8,PXU,QAW,QHP1	QKB2,QK4,QMH,QMP,QND,QNE8,QNK,QNR6,QWA2,QWA4,QWC4,QWH2,QWT2,QXB7
		(CARBURETOR NO.)	1	-	-	BE48B B	SXE7,QXE8,QXQ7,QXS4,QXU,SKAE,SME1,SMX,SM11,SM32,SWA4, SXB7,SXC
		///	1	-	-	BE49A B	VMX,VNG1,VNG2,VSD,VWA,VX,VXB,VXE,VXEB,VXE4,VXQ4,VXU,VXU1,YJ
		///	1	-	-	BE85A B	HAQ,QAQ,QNE9
		///	1	-	-	BE85B B	HAZ,HJA2,LXE2,LX2,QAE2,QAE6,QA2,QA26,QH2,QKA2,QKE2,QNE2,QNE6,QNR2
		///	1	-	-	BE85C B	QD9,QXC6,QXC9,SNC9
		///	-	(1)	-	BE48B B	
		///	1	(1)	-	BE49A B	LWD,Q1

Ref. No.	Part No.	Description	Reqd. QTY			Serial No.	Parts catalogue code
			GX390K1	(1)	(2)		
24	16956-ZE1-811	SPRING, COCK LEVER	1	-	-	-----	BJ, ED8, ED9, ES1, HA, HAQ, HA2, HH, HJA, HJA2, HX, LH, LHB1, LHB3, LHC, LHE, LHP1, LHW, LJ, LJG, LKE, LKF1, LMH, LP, LT, LTK, LTK1, LX, LXE, LXE2, LXE4, LXE8, LXQ4, LXU, LXZ, LX2, PAE2, PA2, PX, PXE, PXE8, PXU, QA, QAE, QAE2, QAE6, QAQ, QAW, QA2, QA26, QDW9, QE, QH, QHB3, QHC, QHE, QHP1, QH2, QKA2, QKA4, QKB2, QKE2, QK4, QME0, QME1, QMH, QMP, QND, QNE, QNE2, QNE6, QNE8, QNE9, QNK, QNR2, QNR6, QN18, QP, QT, QWA2, QWA4, QWC4, QWH2, QWT2, QX, QXB, QXB7, QXC, QXC4, QXC6, QXC9, QXE, QXE8, QXE2, QXE4, QXE6, QXE7, QXE8, QXQ4, QXQ7, QXS4, QXU, SCK4, SE, SH, SHB1, SHB3, SHE, SHEZ, SHQ4, SHW, SJ, SJG, SKA, SKAE, SMC1, SMD3, SME0, SME1, SME6, SMX, SM11, SM32, SNC, SNC9, SNT2, STC4, SWA4, SWE, SWX, SX, SXB, SXB7, SXC, SXE, SXE8, SXE4, SXE7, SXE8, SXP, SXQ4, SXU, SX2, VA, VAAE, VAC2, VAG2, VA2, VCN2, VDB2, VDE1, VDE2, VD2, VE, VH, VHE, VJE2, VJ2, VKB2, VK2, VMA2, VME2, VMX, VM2, VNG1, VNG2, VN17, VN27, VSD, VSD7, VTE1, VTE5, VWA, VWA2, VWT4, VX, VXB, VXB7, VXE, VXE8, VXE2, VXE4, VXE6, VXE7, VXE8, VXF8, VXQ4, VXTB, VXT1, VXU, VXU1, VX8, YJ
		(CARBURETOR NO.)	1	-	-	-----	BE48B A VAA, ZK1
			-	(1)	-	-----	LWD, Q1
25	16957-ZE1-812	PACKING, FUEL COCK	1	-	-	-----	BJ, ED8, ED9, ES1, HA, HAQ, HA2, HH, HJA, HJA2, HX, LH, LHB1, LHB3, LHC, LHE, LHP1, LHW, LJ, LJG, LKE, LKF1, LMH, LP, LT, LTK, LTK1, LWD, LX, LXE, LXE2, LXE4, LXE8, LXQ4, LXU, LXZ, LX2, PAE2, PA2, PX, PXE, PXE8, PXU, QA, QAE, QAE2, QAE6, QAQ, QAW, QA2, QA26, QDW9, QE, QH, QHB3, QHC, QHE, QHP1, QH2, QKA2, QKA4, QKB2, QKE2, QK4, QME0, QME1, QMH, QMP, QND, QNE, QNE2, QNE6, QNE8, QNE9, QNK, QNR2, QNR6, QN18, QP, QT, QWA2, QWA4, QWC4, QWH2, QWT2, QX, QXB, QXB7, QXC, QXC4, QXC6, QXC9, QXE, QXE8, QXE2, QXE4, QXE6, QXE7, QXE8, QXQ4, QXQ7, QXS4, QXU, SCK4, SE, SH, SHB1, SHB3, SHE, SHEZ, SHQ4, SHW, SJ, SJG, SKA, SKAE, SMC1, SMD3, SME0, SME1, SME6, SMX, SM11, SM32, SNC, SNC9, SNT2, STC4, SWA4, SWE, SWX, SX, SXB, SXB7, SXC, SXE, SXE8, SXE4, SXE7, SXE8, SXP, SXQ4, SXU, SX2, VA, VAAE, VAC2, VAG2, VA2, VCN2, VDB2, VDE1, VDE2, VD2, VE, VH, VHE, VJE2, VJ2, VKB2, VK2, VMA2, VME2, VMX, VM2, VNG1, VNG2, VN17, VN27, VSD, VSD7, VTE1, VTE5, VWA, VWA2, VWT4, VX, VXB, VXB7, VXE, VXE8, VXE2, VXE4, VXE6, VXE7, VXE8, VXF8, VXQ4, VXTB, VXT1, VXU, VXU1, VX8, YJ
		(CARBURETOR NO.)	1	-	-	-----	BE48B A VAA, ZK1
			-	(1)	-	-----	Q1
			-	(1)	-	-----	Q1
26	16967-ZE0-811	CUP, FUEL STRAINER	1	-	-	-----	BJ, ED8, ED9, ES1, HA, HAQ, HA2, HH, HJA, HJA2, HX, LH, LHB1, LHB3, LHC, LHE, LHP1, LHW, LJ, LJG, LKE, LKF1, LMH, LP, LT, LTK, LTK1, LWD, LX, LXE, LXE2, LXE4, LXE8, LXQ4, LXU, LXZ, LX2, PAE2, PA2, PX, PXE, PXE8, PXU, QA, QAE, QAE2, QAE6, QAQ, QAW, QA2, QA26, QDW9, QE, QH, QHB3, QHC, QHE, QHP1, QH2, QKA2, QKA4, QKB2, QKE2, QK4, QME0, QME1, QMH, QMP, QND, QNE, QNE2, QNE6, QNE8, QNE9, QNK, QNR2, QNR6, QN18, QP, QT, QWA2, QWA4, QWC4, QWH2, QWT2, QX, QXB, QXB7, QXC, QXC4, QXC6, QXC9, QXE, QXE8, QXE2, QXE4, QXE6, QXE7, QXE8, QXQ4, QXQ7, QXS4, QXU, SCK4, SE, SH, SHB1, SHB3, SHE, SHEZ, SHQ4, SHW, SJ, SJG, SKA, SKAE, SMC1, SMD3, SME0, SME1, SME6, SMX, SM11, SM32, SNC, SNC9, SNT2, STC4, SWA4, SWE, SWX, SX, SXB, SXB7, SXC, SXE, SXE8, SXE4, SXE7, SXE8, SXP, SXQ4, SXU, SX2, VA, VAAE, VAC2, VAG2, VA2, VCN2, VDB2, VDE1, VDE2, VD2, VE, VH, VHE, VJE2, VJ2, VKB2, VK2, VMA2, VME2, VMX, VM2, VNG1, VNG2, VN17, VN27, VSD, VSD7, VTE1, VTE5, VWA, VWA2, VWT4, VX, VXB, VXB7, VXE, VXE8, VXE2, VXE4, VXE6, VXE7, VXE8, VXF8, VXQ4, VXTB, VXT1, VXU, VXU1, VX8, YJ
		(CARBURETOR NO.)	1	-	-	-----	BE48B A VAA, ZK1
			-	(1)	-	-----	
27	90605-230-000	CIRCLIP, 5MM	1	-	-	-----	LKE, LKF1, LTK, LTK1, QNK, QWH2, SHW, SKA, STC4
			1	-	-	-----	2240894 ZK1
			-	(1)	-	-----	

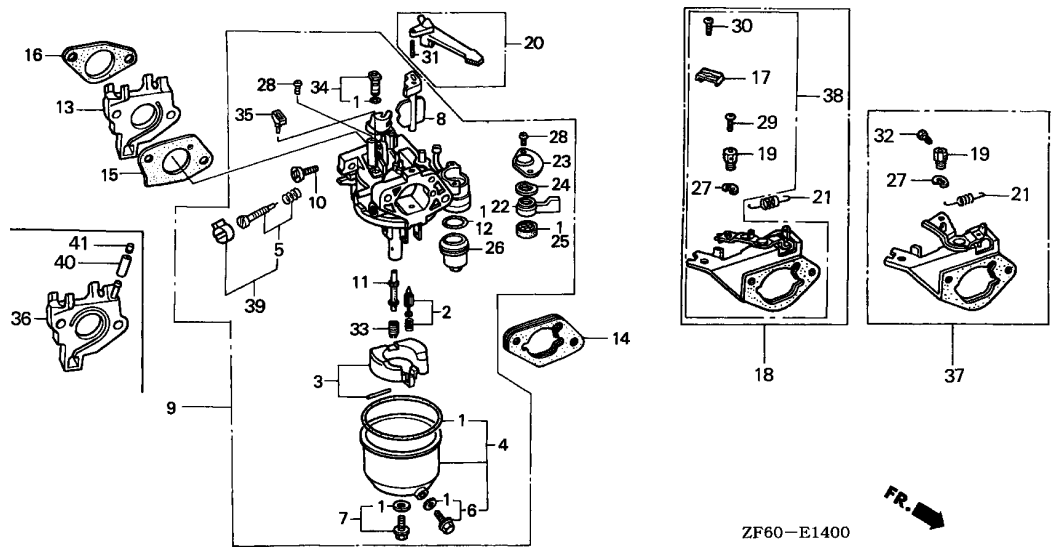




Ref. No.	Part No.	Description	Reqd. QTY			Serial No.	Parts catalogue code
			(1)	(2)	(3)		
28	93500-03008-1G	SCREW, PAN, 3X8 (CARBURETOR NO.)	2	-	-	BE48B A HA, HJA, QA, QAE, QNE, QN18, VA, VDE1, VWA, VXE	
	///	///	2	-	-	BE49B A QXC	
	///	///	2	-	-	BE85A A HAQ, QAQ, QNE9	
	///	///	2	-	-	BE85B A HA2, HJA2, LXE2, LX2, QAE2, QAE6, QA2, QA26, QH2, QKA2, QKE2, QNE2, QNE6, QNR2, QXE2, QXE6, SNT2, SX2, VAG2, VA2, VDE2, VMA2, VWA2, VXE2	
	///	///	2	-	-	BE85C A QDW9, QXC6, QXC9, SNC9	
	///	///	3	(3)	-	BE48B A BJ, ED8, ED9, ES1, HH, HX, LH, LHB1, LHE, LJ, LJG, LTK, LX, LXE, LXE4, LXQ4, LXZ, L1, PX, QE, QH, QHE, QME0, QP, QT, QX, QXB, QXE, QXEB, QXE4, QXQ4, SE, SH, SHB1, SHE, SHEZ, SHQ4, SHW, SJ, SJG, SKA, SMC1, SMD3, SME0, SME6, SWE, SWX, SX, SXB, SXE, SXEB, SXE4, SXP, SXQ4, S1, VAA, VAAE, VE, VH, VHE, VMX, VNG1, VNG2, VSD, VV, VXB, VXEB, VXE4, VXQ4, VXU, VXU1, V1, YJ, ZK1	
	///	///	3	(3)	-	BE49A A LHC, LWD, QHC, QME1, QXC4, Q1, SNC	
	///	///	3	-	-	LHB3, LHP1, PXE, QHB3, QKA4, SCK4, SHB3, STC4	

Ref. No.	Part No.	Description	Reqd. QTY			Serial No.	Parts catalogue code	
			GX390K1	(1)	(2)			(3)
28)	93500-03006-1H	SCREW, PAN, 3X6	2	-	-	-----	LKE, LP, PAE2, PA2, QAW, QKB2, QK4, QND, QNK, QNR6, QWA2, QWA4, QWC4, QWH2, QWT2, QXB7, QXE7, QXQ7, QXS4, SKAE, SM32, SXB7, SXC, SXE7, VAC2, VCN2, VDB2, VD2, VJE2, VJ2, VKB2, VK2, VME2, VM2, VN17, VN27, VSD7, VXB7, VXE7	
		(CARBURETOR NO.)	2	-	-	BE85A B	-----	HAQ, QAQ, QNE9
		“	2	-	-	BE85B B	-----	HA2, HJA2, LJ, LJG, LTK, LXE2, LX2, QAE2, QAE6, QA2, QA26, QH2, QKA2, QKE2, QNE, QNE2, QNE6, QNR2, QN18, QXE2, QXE6, SJ, SJG, SME1, SM11, SNT2, SX2, VAG2, VA2, VDE2, VMA2, VWA2, VXE, VXE2
		“	2	-	-	BE85C B	-----	ED8, ED9, HH, LH, LHB3, LHE, LHP1, LMH, LX, LXE, LXE4, LXE8, LXQ4, LXU, PX, PXE, PXE8, PXU, QDW9, QE, QH, QHB3, QHE, QHP1, QKA4, QME0, QMH, QNE8, QX, QXB, QXC, QXC6, QXC9, QXE, QXEB, QXE4, QXE8, QXQ4, QXU, SCK4, SH, SHB1, SHB3, SHE, SHQ4, SMC1, SME0, SME6, SMX, SNC9, STC4, SX, SXB, SXE, SXEB, SXE4, SXE8, SXQ4, SXU, VMX, VNG1, VNG2, VSD, VTE1, VX, VXB, VXEB, VXE4, VXE8, VXF6, VXQ4, VXTB, VXU, VXU1, VX8
		“	3	(3)	-	BE48B B	-----	BJ, ES1, HA, HJA, HX, LHB1, LXZ, L1, QA, QAE, QP, QT, SE, SHW, SKA, SMD3, SNC, SWE, SWX, SXP, S1, VA, VAAE, VDE1, VE, VH, VHE, VWA, V1, YJ
		“	3	(3)	-	BE49A B	-----	LHC, LWD, QHC, QME1, QXC4, Q1
		“	3	-	-	-----	-----	LHW, LKF1, LT, LTK1, QMP, SWA4, VTE5, VWT4, VXE6, VXT1
29	93500-04006-0H	SCREW, PAN, 4X6	1	-	-	-----	-----	LKE, LKF1, LTK, LTK1, QNK, QWH2, SHW, SKA, STC4
			-	(1)	-	-----	-----	
30	93893-05016-00	SCREW-WASHER, 5X16	1	(1)	-	-----	-----	LKE, LKF1, LTK, LTK1, QNK, QWH2, SHW, SKA, STC4, V1
	93500-05016-0A	SCREW, PAN, 5X16	-	(1)	-	2066080	-----	L1, Q1, S1
			-	(1)	-	2066081	-----	L1, Q1, S1
31	94305-20122	PIN, SPRING, 2X12	1	-	-	-----	-----	BJ, ED8, ED9, ES1, HA, HAQ, HA2, HH, HJA, HJA2, HX, LH, LHB1, LHB3, LHC, LHE, LHP1, LHW, LJ, LJG, LMH, LP, LT, LWD, LX, LXE, LXE2, LXE4, LXE8, LXQ4, LXU, LXZ, LX2, PAE2, PA2, PX, PXE, PXE8, PXU, QA, QAE, QAE2, QAE6, QAQ, QAW, QA2, QA26, QDW9, QE, QH, QHB3, QHC, QHE, QHP1, QH2, QKA2, QKA4, QKB2, QKE2, QK4, QME0, QME1, QMH, QMP, QND, QNE, QNE2, QNE6, QNE8, QNE9, QNR2, QNR6, QN18, QP, QT, QWA2, QWA4, QWC4, QWT2, QX, QXB, QXB7, QXC, QXC4, QXC6, QXC9, QXE, QXEB, QXE2, QXE4, QXE6, QXE7, QXE8, QXQ4, QXQ7, QXS4, QXU, SCK4, SE, SH, SHB1, SHB3, SHE, SHEZ, SHQ4, SJ, SJG, SKAE, SMC1, SMD3, SME0, SME1, SME6, SMX, SM11, SM32, SNC, SNC9, SNT2, SWA4, SWE, SWX, SX, SXB, SXB7, SXC, SXE, SXEB, SXE4, SXE7, SXE8, SXP, SXQ4, SXU, SX2, VA, VAAE, VAC2, VAG2, VA2, VCN2, VDB2, VDE1, VDE2, VD2, VE, VH, VHE, VJE2, VJ2, VKB2, VK2, VMA2, VME2, VMX, VM2, VNG1, VNG2, VN17, VN27, VSD, VSD7, VTE1, VTE5, VWA, VWA2, VWT4, VX, VXB, VXB7, VXE, VXEB, VXE2, VXE4, VXE6, VXE7, VXE8, VXF6, VXQ4, VXTB, VXT1, VXU, VXU1, VX8, YJ
			1	-	-	2256142	-----	STC4
			1	-	-	2148716	-----	VAA
			-	(1)	-	-----	-----	
32	92301-04006-0A	BOLT, RECESSED, 4X6	1	-	-	2240894	-----	ZK1
33	99101-ZF5-1000	JET, MAIN, #100	(1)	-	-	-----	-----	BJ, HA, HJA, HX, LHB1, LXZ, QA, QAE, QAE6, QA26, QNE6, QXE6, SE, SHEZ, SKA, SXP, VA, VAAE, VDE1, VE, VH, VHE, VTE5, VWA, VXE6, VXT1, YJ
		(CARBURETOR NO.)	(1)	-	-	BB48B B	-----	SWA4
		“	(1)	-	-	BE48B A	-----	VAA, ZK1
	99101-ZF5-1020	JET, MAIN, #102	(1)	-	-	-----	-----	BJ, HA, HJA, HX, LHB1, LXZ, QA, QAE, QAE6, QA26, QNE6, QXE6, SE, SHEZ, SKA, SXP, VA, VAAE, VDE1, VE, VH, VHE, VTE5, VWA, VXE6, VXT1, YJ
		(CARBURETOR NO.)	(1)	-	-	BB48B B	-----	SWA4
		“	(1)	-	-	BE48B A	-----	VAA, ZK1
	99101-ZF5-1050	JET, MAIN, #105	1	-	-	-----	-----	BJ, HA, HJA, HX, LHB1, LXZ, QA, QAE, SE, SHEZ, SKA, SXP, VA, VAAE, VDE1, VE, VH, VHE, VWA, YJ
		(CARBURETOR NO.)	1	-	-	BB48B B	-----	SWA4
		“	1	-	-	BE48B A	-----	VAA, ZK1
	99101-ZF5-1100	JET, MAIN, #110	(1)	-	-	-----	-----	LHC, QHC
	99101-ZF5-1120	JET, MAIN, #112	(1)	-	-	-----	-----	LHC, QHC
	99101-ZF5-1150	JET, MAIN, #115	1	-	-	-----	-----	LHC, QHC
	99101-ZH8-1100	JET, MAIN, #110	(1)	(1)	-	-----	-----	LWD, Q1
	99101-ZH8-1120	JET, MAIN, #112	(1)	(1)	-	-----	-----	LWD, Q1
	99101-ZH8-1150	JET, MAIN, #115	1	1	-	-----	-----	LWD, Q1

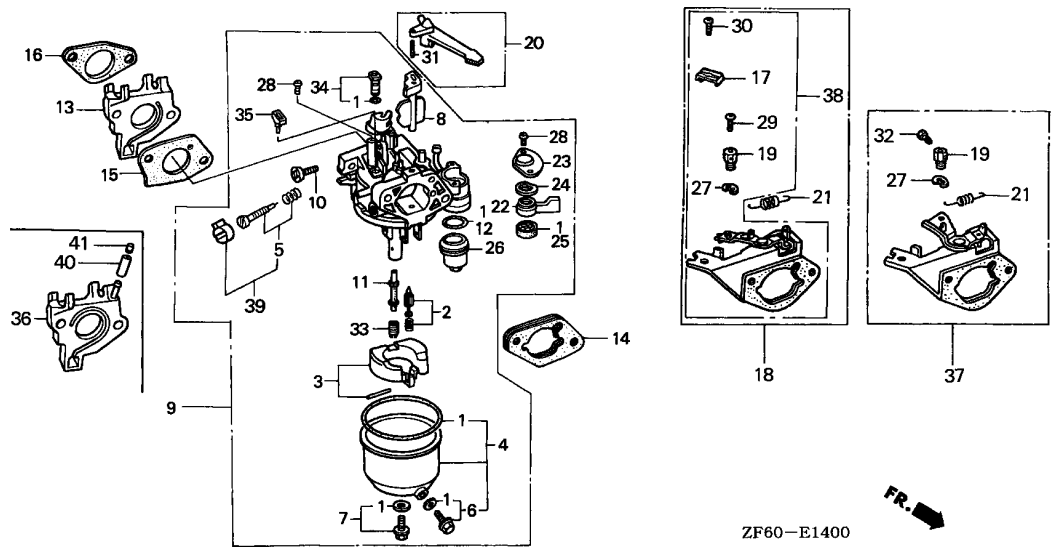




Ref. No.	Part No.	Description	Reqd. QTY			Serial No.	Parts catalogue code	
			GX390K1	(1)	(2)			(3)
33)	99101-ZH7-0880	JET, MAIN, #88	(1)	-	-	-----	QKA2,QKE2,SNT2	
	99101-ZH7-0900	JET, MAIN, #90	(1)	-	-	-----	QKA2,QKE2,SNT2	
	99101-ZH7-0920	JET, MAIN, #92	1	-	-	-----	QKA2,QKE2,SNT2	
	99101-ZH7-0950	JET, MAIN, #95	(1)	-	-	-----	HAQ,LKE,QAE6,QAQ,QA26,QNE6,QXE6,SNC9	
	99101-ZH7-0980	JET, MAIN, #98	(1)	-	-	-----	HAQ,LKE,QAE6,QAQ,QA26,QNE6,QXE6,SNC9,VTE2	
	99101-ZH7-1000	JET, MAIN, #100	1	-	-	-----	HAQ,QAQ,SNC9	
			(1)	-	-	-----	VTE2	
	99101-ZH8-1000	(CARBURETOR NO.)	(1)	(1)	-	-----	LTK1,Q1,SHW,V1	
			(1)	-	-	-----	BE48B B LJ,LJG,LTK,QNE,QN18,SJ,SJG,SME1,SM11,VXE	
			1	-	-	-----	BE48B B QXS4	
	99101-ZH8-1020	JET, MAIN, #102 (CARBURETOR NO.)	(1)	(1)	-	-----	ES1,LHW,LT,LTK1,QMP,QP,QT,Q1,SHW,SMD3,SWE,SWX,VWT4,V1	
			(1)	-	-	-----	BE48B B ED8,ED9,HH,LH,LHB3,LHE,LHP1,LJ,LJG,LMH,LTK,LX,LXE,LXE4,LXE8,LXQ4 LXU,PX,PXE,PXE8,PXU,QE,QH,QHB3,QHE,QHP1,QKA4,QMED,QMH,QNE,QNE8 QN18,QX,QXB,QXE,QXEB,QXE4,QXE8,QXQ4,QXU,SCK4,SH,SHB1,SHB3,SHE SHQ4,SJ,SJG,SMC1,SME0,SME1,SME6,SMX,SM11,STC4,SX,SXB,SXE,SXEB SXE4,SXE8,SXQ4,SXU,VMX,VNG1,VNG2,VSD,VTE1,VX,VXB,VXE,VXEB,VXE4 VXE8,VXFB,VXQ4,VXTB,VXU,VXU1,VX8	
	99101-ZH8-1050	JET, MAIN, #105 (CARBURETOR NO.)	-	(1)	-	BE48B A	-----	L1,S1
			1	1	-	-----	ES1,LHW,LT,LTK1,QMP,QP,QT,Q1,SHW,SMD3,SWE,SWX,VTE5,VWT4,VXT1,V1	
			1	-	-	BE48B B	-----	ED8,ED9,HH,LH,LHB3,LHE,LHP1,LJ,LJG,LMH,LTK,LX,LXE,LXE4,LXE8,LXQ4 LXU,PX,PXE,PXE8,PXU,QE,QH,QHB3,QHE,QHP1,QKA4,QMED,QMH,QNE,QNE8 QN18,QX,QXB,QXE,QXEB,QXE4,QXE8,QXQ4,QXU,SCK4,SH,SHB1,SHB3,SHE SHQ4,SJ,SJG,SMC1,SME0,SME1,SME6,SMX,SM11,STC4,SX,SXB,SXE,SXEB SXE4,SXE8,SXQ4,SXU,VMX,VNG1,VNG2,VSD,VTE1,VX,VXB,VXE,VXEB,VXE4 VXE8,VXFB,VXQ4,VXTB,VXU,VXU1,VX8
	99101-ZH8-1080	JET, MAIN, #108	-	1	-	BE48B A	-----	L1,S1
			(1)	-	-	-----	LKF1	

Ref. No.	Part No.	Description	Reqd. QTY			Serial No.	Parts catalogue code
			GX390K1	(1)	(2)		
33)	99101-ZH8-1100	JET, MAIN, #110 (CARBURETOR NO.)	1	-	-	-----	LP
			(1)	-	-	-----	LKF1,QME1,QXC4,SNC
			(1)	-	-	BE49A B	QXC
			-	(1)	-	BE49A A	
	99101-ZH8-1120	JET, MAIN, #112 (CARBURETOR NO.)	1	-	-	-----	LKF1
			(1)	-	-	-----	QME1,QXC4,SNC
			(1)	-	-	BE49A B	QXC
			-	(1)	-	BE49A A	
	99101-ZH8-1150	JET, MAIN, #115 (CARBURETOR NO.)	1	-	-	-----	QME1,QXC4,SNC
			1	-	-	-----	BE49A B QXC
			-	1	-	BE49A A	
	99101-ZH8-0880	JET, MAIN, #88 (CARBURETOR NO.)	(1)	-	-	-----	HA2,HJA2,LKE,LXE2,LX2,PAE2,PA2,QAE2,QAE6,QAW,QA2,QA26,QH2,QKB2
							QK4,QND,QNE2,QNE6,QNK,QNR2,QNR6,QWA2,QXB7,QXE2,QXE6,QXE7,QXQ7
							SKAE,SM32,SXB7,SXC,SXE7,SX2
			(1)	-	-	BB85B B	SWA4
			(1)	-	-	BE85B B	HH,LH,LHB3,LHE,LHP1,LJ,LJG,LMH,LTK,LX,LXE,LXE4,LXE8,LXQ4,LXU,PX
							PXE,PXE8,PXU,QE,QH,QHB3,QHE,QHP1,QKA4,QME0,QMH,QNE,QNE8,QN18,QX
							QXB,QXE,QXEB,QXE4,QXE8,QXQ4,QXU,SCK4,SH,SHB1,SHB3,SHE,SHQ4,SJ,SJG
							SMC1,SME0,SME1,SME6,SMX,SM11,STC4,SX,SXB,SXE,SXEB,SXE4,SXE8,SXQ4
							SXU,VMX
			(1)	-	-	BE85F A	VAG2,VA2,VDE2,VD2,VJE2,VJ2,VKB2,VMA2,VME2,VM2,VWA2,VXE2,VXE6
			(1)	-	-	BE85B B	BE85B B ED8,ED9,VNG1,VNG2,VSD,VTE1,VX,VXB,VXE,VXEB,VXE4,VXE8,VXFB,VXQ4
							VXTB,VXU,VXU1,VX8
	99101-ZH8-0900	JET, MAIN, #90 (CARBURETOR NO.)	(1)	-	-	-----	LKE,LX2,PAE2,PA2,QAE6,QAW,QA26,QKB2,QK4,QND,QNE6,QNK,QNR2,QNR6
			(1)	-	-	-----	QWA2,QXE6,SKAE,SM32,SXC,SX2,VAC2,VCN2,VDB2,VK2,VN17,VN27
			(1)	-	-	BB85B B	SWA4
			(1)	-	-	BE85B B	HH,LH,LHB3,LHE,LHP1,LJ,LJG,LMH,LTK,LX,LXE,LXE4,LXE8,LXQ4,LXU,PX
							PXE,PXE8,PXU,QE,QH,QHB3,QHE,QHP1,QKA4,QME0,QMH,QNE,QNE8,QN18,QX
							QXB,QXE,QXEB,QXE4,QXE8,QXQ4,QXU,SCK4,SH,SHB1,SHB3,SHE,SHQ4,SJ,SJG
							SMC1,SME0,SME1,SME6,SMX,SM11,STC4,SX,SXB,SXE,SXEB,SXE4,SXE8,SXQ4
							SXU,VMX
			(1)	-	-	BE85F A	VAG2,VA2,VDE2,VD2,VJE2,VJ2,VKB2,VMA2,VME2,VM2,VWA2,VXE2,VXE6
			(1)	-	-	BE85B B	BE85B B ED8,ED9,VNG1,VNG2,VSD,VTE1,VX,VXB,VXE,VXEB,VXE4,VXE8,VXFB,VXQ4
							VXTB,VXU,VXU1,VX8
	99101-ZH8-0920	JET, MAIN, #92 (CARBURETOR NO.)	1	-	-	-----	LKE,LX2,PAE2,PA2,QAE6,QAW,QA26,QKB2,QK4,QND,QNE6,QNK,QNR2,QNR6
			1	-	-	-----	QWA2,QXE6,SKAE,SM32,SXC,SX2
			1	-	-	BB85B B	SWA4
			1	-	-	BE85B B	HH,LH,LHB3,LHE,LHP1,LJ,LJG,LMH,LTK,LX,LXE,LXE4,LXE8,LXQ4,LXU,PX
							PXE,PXE8,PXU,QE,QH,QHB3,QHE,QHP1,QKA4,QME0,QMH,QNE,QNE8,QN18,QX
							QXB,QXE,QXEB,QXE4,QXE8,QXQ4,QXU,SCK4,SH,SHB1,SHB3,SHE,SHQ4,SJ,SJG
							SMC1,SME0,SME1,SME6,SMX,SM11,STC4,SX,SXB,SXE,SXEB,SXE4,SXE8,SXQ4
							SXU,VMX
			1	-	-	BE85F A	VAG2,VA2,VDE2,VD2,VJE2,VJ2,VKB2,VMA2,VME2,VM2,VWA2,VXE2,VXE6
			1	-	-	BE85B B	BE85B B ED8,ED9,VNG1,VNG2,VSD,VTE1,VX,VXB,VXE,VXEB,VXE4,VXE8,VXFB,VXQ4
							VXTB,VXU,VXU1,VX8
							VAC2,VCN2,VDB2,VK2,VN17,VN27
	99101-ZH8-0950	JET, MAIN, #95 (CARBURETOR NO.)	1	-	-	-----	VN17,VN27
			(1)	-	-	-----	QWA4,QWC4,QXC6
			(1)	-	-	BE85C B	QXC
	99101-ZH8-0980	JET, MAIN, #98 (CARBURETOR NO.)	(1)	-	-	-----	QWA4,QWC4,QXC6
			(1)	-	-	BE85C B	QXC

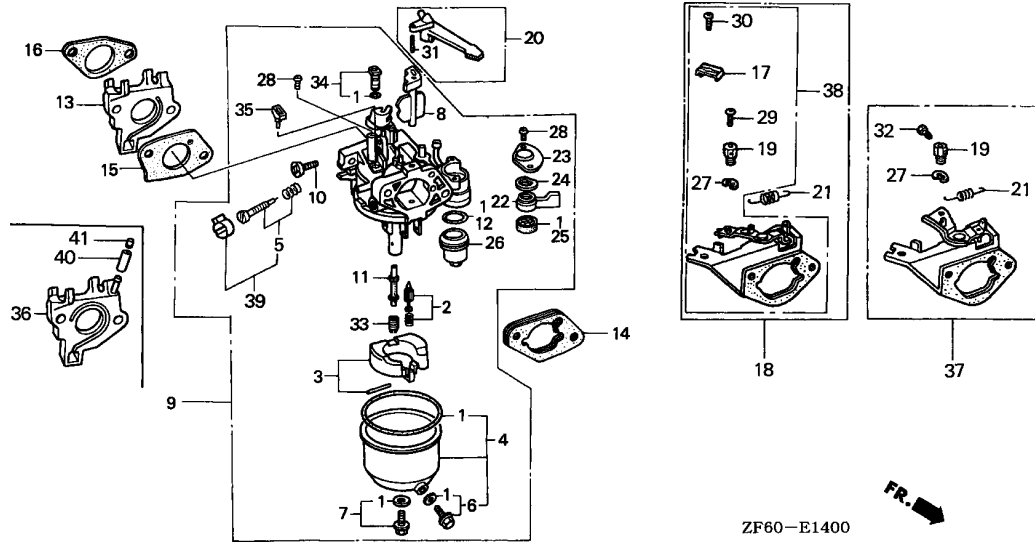




Ref. No.	Part No.	Description	Reqd. QTY			Serial No.	Parts catalogue code
			(1)	(2)	(3)		
33)	99101-ZH8-1000	JET, MAIN, #100 (CARBURETOR NO.)	1	-	-	QWA4,QWC4,QXC6	
			1	-	-	BE85C B	QXC
			(1)	-	-		ES1,LHW,LT,QMP,QP,QT,SMD3,SWE,SWX,VWT4
		(CARBURETOR NO.)	(1)	-	-	BE48B B	ED8,ED9,HH,LH,LHB3,LHE,LHP1,LMH,LX,LXE,LXE4,LXE8,LXQ4,LXU,PX,PXE PXE8,PXU,QE,QH,QHB3,QHE,QHP1,QKA4,QME0,QMH,QNE,QNE8,QX,QXB,QXE QXEB,QXE4,QXE8,QXQ4,QXU,SCK4,SH,SHB1,SHB3,SHE,SHQ4,SMC1,SME0,SME6 SMX,STC4,SX,SXB,SXE,SXEB,SXE4,SXE8,SXQ4,SXU,VMX,VNG1,VNG2,VSD VTE1,VX,VXB,VXE,VXEB,VXE4,VXE8,VXFB,VXQ4,VXTB,VXU,VXU1,VX8
	99101-ZH8-0900	JET, MAIN, #90 (CARBURETOR NO.)	-	(1)	-	BE48B A	HA2,HJA2,LXE2,QAE2,QA2,QH2,QNE2,QXB7,QXE2,QXE7,QXQ7,SXB7,SXE7 VSD7,VXB7,VXE7
			(1)	-	-	BE85J A	ED8,ED9,VAG2,VA2,VDE2,VD2,VJE2,VJ2,VKB2,VMA2,VME2,VM2,VNG1,VNG2 VSD,VTE1,VMA2,VX,VXB,VXE,VXEB,VXE2,VXE4,VXE6,VXE8,VXFB,VXQ4,VXTB VXU,VXU1,VX8
	99101-ZH8-0920	JET, MAIN, #92 (CARBURETOR NO.)	1	-	-		HA2,HJA2,LXE2,QAE2,QA2,QH2,QNE2,QXB7,QXE2,QXE7,QXQ7,SXB7,SXE7 VSD7,VXB7,VXE7
			(1)	-	-	BE85J A	ED8,ED9,VAG2,VA2,VDE2,VD2,VJE2,VJ2,VKB2,VMA2,VME2,VM2,VNG1,VNG2 VSD,VTE1,VMA2,VX,VXB,VXE,VXEB,VXE2,VXE4,VXE6,VXE8,VXFB,VXQ4,VXTB VXU,VXU1,VX8
	99101-ZH8-0950	JET, MAIN, #95 (CARBURETOR NO.)	1	-	-		VAC2,VCN2,VDB2,VK2,VN17,VN27,VSD7,VXB7,VXE7
			1	-	-	BE85J A	ED8,ED9,VAG2,VA2,VDE2,VD2,VJE2,VJ2,VKB2,VMA2,VME2,VM2,VNG1,VNG2 VSD,VTE1,VMA2,VX,VXB,VXE,VXEB,VXE2,VXE4,VXE6,VXE8,VXFB,VXQ4,VXTB VXU,VXU1,VX8
	99101-ZH8-0980	JET, MAIN, #98	(1)	-	-		QDW9,QNE9,QWA4,QWC4,QWH2,QWT2,QXC9,QXS4
	99101-ZH8-1000	JET, MAIN, #100	(1)	-	-		QDW9,QNE9,QWA4,QWC4,QWH2,QWT2,QXC9,QXS4
			1	-	-		QDW9,QNE9,QWA4,QWC4,QWH2,QWT2,QXC9,QXS4

Ref. No.	Part No.	Description	Reqd. QTY			Serial No.	Parts catalogue code
			GX390K1	(1)	(2)		
34	99204-ZE0-0400	JET SET, PILOT, #40 (CARBURETOR NO.)	1	(1)	-	-----	LHC,LWD,QHC,QME1,QXC4,Q1,SHEZ,SNC
			1	(1)	-	-----	BE48B A BJ,ED8,ED9,ES1,HA,HJA,LH,LHB1,LHB3,LHE,LHP1,LJ,LJG,LTk,LX,LXE,LXE4,LXQ4,LXZ,L1,PX,PXE,QA,QAE,QE,QH,QHB3,QHE,QKA4,QMEO,QNE,QN18,QP,QX,QXB,QXE,QXEB,QXE4,QXQ4,SCK4,SE,SH,SHB1,SHB3,SHE,SHQ4,SHW,SJ,SJG,SKA,SMC1,SMD3,SME0,SME6,STC4,SWE,SWX,SX,SXB,SXE,SXEB,SXE4,SXP,SXQ4,S1,VA,VAA,VAE,VDE1,VE,VH,VHE,VMX,VNG1,VNG2,VSD,VVA,VX,VXB,VXE,VXEB,VXE4,VXQ4,VXU,VXU1,V1,YJ,ZK1
	99204-ZA0-0400	/// (CARBURETOR NO.)	1	-	-	-----	BE49A A QXC
			1	-	-	-----	LHW,LKF1,LP,LT,LTk1,QMP,VTE5,VWT4,VXT1
			1	-	-	-----	BE48B B BJ,ES1,HA,HJA,HX,LHB1,LXZ,QA,QAE,QP,QT,SE,SHW,SKA,SMD3,SWE,SWX,SXP,VA,VAE,VDE1,VE,VH,VHE,VVA,YJ
		//	1	-	-	-----	BB48B B SWA4
		//	1	-	-	-----	BE48B B LMH,LXE8,LXU,PXE8,PXU,QHP1,QMH,QNE8,QXE8,QXU,SME1,SMX,SM11,SXE8,SXU,VTE1,VXE8,VXFB,VXTB,VX8
		//	1	-	-	-----	BE48B B BE48B B ED8,ED9,HH,LH,LHB3,LHE,LHP1,LJ,LJG,LTk,LX,LXE,LXE4,LXQ4,PX,PXE,QE,QH,QHB3,QHE,QKA4,QMEO,QNE,QN18,QX,QXB,QXE,QXEB,QXE4,QXQ4,SCK4,SH,SHB1,SHB3,SHE,SHQ4,SJ,SJG,SMC1,SME0,SME6,STC4,SX,SXB,SXE,SXEB,SXE4,SXQ4,VMX,VNG1,VNG2,VSD,VX,VXB,VXE,VXEB,VXE4,VXQ4,VXU,VXU1
		//	1	-	-	-----	BE49A B BE49A B QXC
		//	-	(1)	-	-----	BE48B B
	99204-ZA0-0450	JET SET, PILOT, #45 (CARBURETOR NO.)	1	-	-	-----	HA2,HJA2,LKE,LXE2,LX2,PAE2,PA2,QAE2,QAE6,QAW,QA2,QA26,QDW9,QH2,QKA2,QKB2,QKE2,QK4,QND,QNE2,QNE6,QNK,QNR2,QNR6,QWA2,QWA4,QWC4,QWH2,QWT2,QXB7,QXC6,QXC9,QXE2,QXE6,QXE7,QXQ7,QXS4,SKAE,SM32,SNC9,SNT2,SXB7,SXC,SXE7,SX2,VAC2,VAG2,VA2,VCN2,VDB2,VDE2,VD2,VJE2,VJ2,VKB2,VK2,VMA2,VME2,VM2,VN17,VN27,VSD7,VTE2,VWA2,VXB7,VXE2,VXE6,VXE7
		//	1	-	-	-----	SWA4
		//	1	-	-	-----	BE85B B ED8,ED9,HH,LH,LHB3,LHE,LHP1,LJ,LJG,LMH,LTk,LX,LXE,LXE4,LXE8,LXQ4,LXU,PX,PXE,PXE8,PXU,QE,QH,QHB3,QHE,QHP1,QKA4,QMEO,QMH,QNE,QNE8,QN18,QX,QXB,QXE,QXEB,QXE4,QXE8,QXQ4,QXU,SCK4,SH,SHB1,SHB3,SHE,SHQ4,SJ,SJG,SMC1,SME0,SME1,SME6,SMX,SM11,STC4,SX,SXB,SXE,SXEB,SXE4,SXE8,SXQ4,SXU,VMX,VNG1,VNG2,VSD,VTE1,VX,VXB,VXE,VXEB,VXE4,VXE8,VXFB,VXQ4,VXTB,VXU,VXU1,VX8
		//	1	-	-	-----	QXC
	99204-ZE0-0450	/// (CARBURETOR NO.)	1	-	-	-----	HAQ,QAQ,QNE9
35	16172-ZE3-W10	COLLAR SET (CARBURETOR NO.)	1	-	-	-----	HAQ,HA2,HJA2,LXE2,LX2,PAE2,PA2,QAE2,QAQ,QAW,QA2,QDW9,QH2,QKB2,QK4,QND,QNE2,QNE9,QNK,QNR2,QWA2,QWA4,QWC4,QWH2,QWT2,QXB7,QXC9,QXE2,QXE7,QXQ7,QXS4,SKAE,SM32,SXB7,SXC,SXE7,SX2,VAC2,VAG2,VA2,VCN2,VDB2,VDE2,VD2,VJE2,VJ2,VKB2,VK2,VMA2,VME2,VM2,VN17,VN27,VSD7,VVA2,VXB7,VXE2,VXE7
		//	1	-	-	-----	SWA4
		//	1	-	-	-----	BE85B B ED8,ED9,HH,LH,LHB3,LHE,LHP1,LJ,LJG,LMH,LTk,LX,LXE,LXE4,LXE8,LXQ4,LXU,PX,PXE,PXE8,PXU,QE,QH,QHB3,QHE,QHP1,QKA4,QMEO,QMH,QNE,QNE8,QN18,QX,QXB,QXE,QXEB,QXE4,QXE8,QXQ4,QXU,SCK4,SH,SHB1,SHB3,SHE,SHQ4,SJ,SJG,SMC1,SME0,SME1,SME6,SMX,SM11,STC4,SX,SXB,SXE,SXEB,SXE4,SXE8,SXQ4,SXU,VMX,VNG1,VNG2,VSD,VTE1,VX,VXB,VXE,VXEB,VXE4,VXE8,VXFB,VXQ4,VXTB,VXU,VXU1,VX8
		//	1	-	-	-----	QXC
36	16211-ZF6-D40	INSULATOR, CARBURETOR	1	-	-	-----	VK2
37	16590-ZE3-L60	STAY ASSY., CHOKE CONTROL (REMOTE)	1	-	-	-----	2192260 ZK1
	16590-ZE3-L62	1	-	-	-----	2192261 2240894 ZK1
38	16590-ZK6-V10	STAY ASSY., CHOKE CONTROL (REMOTE)	1	-	-	-----	LKF1



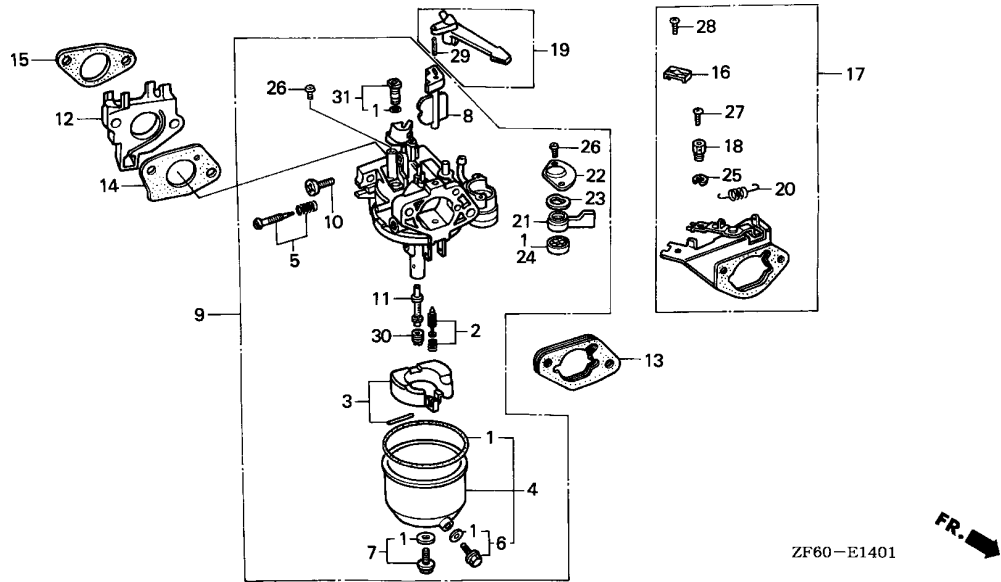


Ref. No.	Part No.	Description	Reqd. QTY			Serial No.	Parts catalogue code
			GX390K1	(1)	(2)		
39	16016-ZH7-W01	SCREW SET (PILOT)	1	-	-	-----	HAQ,HA2,HJA2,LKE,LXE2,LX2,PAE2,PA2,QAE2,QAE6,QAQ,QAW,QA2,QA26,QDW9,QH2,QKA2,QKB2,QKE2,QK4,QND,QNE2,QNE6,QNE9,QNK,QNR2,QNR6,QWA2,QWA4,QWC4,QWH2,QWT2,QXB7,QXC6,QXC9,QXE2,QXE6,QXE7,QXQ7,QXS4,SKAE,SM32,SNC9,SNT2,SXB7,SXC,SXE7,SX2,VAC2,VAG2,VA2,VCN2,VDB2,VDE2,VD2,VJE2,VJ2,VKB2,VK2,VMA2,VME2,VM2,VN17,VN27,VSD7,VWA2,VXB7,VXE2,VXE6,VXE7
		(CARBURETOR NO.)	1	-	-	BE85B B -----	ED8,ED9,HH,LH,LHB3,LHE,LHP1,LJ,LJG,LMH,LTK,LX,LXE,LXE4,LXE8,LXQ4,LXU,PX,PXE,PXE8,PXU,QE,QH,QHB3,QHE,QHP1,QKA4,QME0,QMH,QNE,QNE8,QN18,QX,QXB,QXE,QXEB,QXE4,QXEB,QXQ4,QXU,SCK4,SH,SHB1,SHB3,SHE,SHQ4,SJ,SJG,SMC1,SMED,SME1,SME6,SMX,SM11,STC4,SWA4,SX,SXB,SXE,SXEB,SXE4,SXE8,SXQ4,SXU,VMX,VNG1,VNG2,VSD,VTE1,VX,VXB,VXE,VXEB,VXE4,VXE8,VXFB,VXQ4,VXTB,VXU,VXU1,VX8
40	95001-35025-40	TUBÉ, FUEL, 3.5X25 (95001-35001-60M)	1	-	-	BE85C B -----	QXC
			1	-	-	-----	VK2
41	96205-04005	PLUG, CONE TYPE, 4X5	1	-	-	-----	VK2

E-14-1

CARBURETOR(2)

J 1



ZF60-E1401

Service item	F.R.T.
SPRING, RETURN	0.1
CARBURETOR ASSY.	0.2
.INSULATOR, CARBURETOR	
.LEVER COMP., CHOKE	
.PACKING, CARBURETOR	
.PACKING, FUEL COCK	
.PACKING, INSULATOR	
.SCREW SET, PILOT	
.STAY ASSY., CHOKE CONTROL	
FLOAT SET	0.3
.GASKET SET	
.JET, MAIN,	
.VALVE SET, FLOAT	

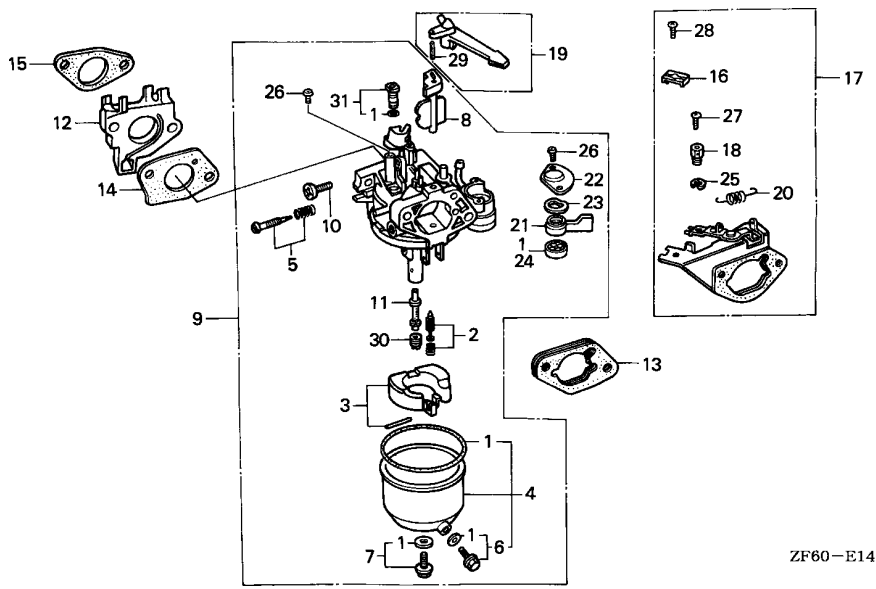
Ref. No.	Part No.	Description	Reqd. QTY			Serial No.	Parts catalogue code
			(1)	(2)	(3)		
1	16010-ZE2-015	GASKET SET	1	-	-	-----	SN
2	16011-ZA0-931	VALVE SET, FLOAT	1	-	-	-----	SN
3	16013-ZA0-931	FLOAT SET	1	-	-	-----	SN
4	16015-ZE2-005	CHAMBER SET, FLOAT	1	-	-	-----	BE48A A SN
	16015-ZE8-005 (CARBURETOR NO.)	-	(1)	-	-----	BE48A A
	16015-ZE8-005 (CARBURETOR NO.)	1	-	-	BE48A B	----- SN
	16015-ZE8-005 (CARBURETOR NO.)	-	(1)	-	BE48A B	----- SN
5	16016-ZE0-005	SCREW SET, PILOT	1	-	-	-----	SN
	16016-ZE0-005	-	(1)	-	-----	SN
6	16024-ZE1-811	SCREW SET, DRAIN	1	-	-	-----	SN
	16024-ZE1-811	-	(1)	-	-----	SN
7	16028-ZE0-005	SCREW SET	1	-	-	-----	SN
	16028-ZE0-005	-	(1)	-	-----	SN
8	16044-ZE3-W20	CHOKE SET	1	-	-	-----	SN
	16044-ZE3-W20	-	(1)	-	-----	SN
9	16100-ZF6-W20	CARBURETOR ASSY. (BE48A A) ..	1	(1)	-	2260274	L1,SN,S1
	16100-ZF6-W20	-	(1)	-	2254363	Q1,V1
	16100-ZF6-W21	CARBURETOR ASSY. (BE48A B) ..	1	(1)	-	2260275	L1,SN,S1
	16100-ZF6-W21	-	(1)	-	2254364	Q1,V1
10	16124-ZE0-005	SCREW, THROTTLE STOP	1	-	-	-----	SN
	16124-ZE0-005	-	(1)	-	-----	SN

2

E-14-1

CARBURETOR(2)

J 2



Ref. No.	Part No.	Description	Reqd. QTY			Serial No.	Parts catalogue code	
			GX390K1	(1)	(2)			(3)
11	16166-ZF6-W20	NOZZLE, MAIN	1	-	-	-----	SN	
12	16211-ZF6-000	INSULATOR, CARBURETOR	1	(1)	-	-----	L1,SN,S1	
			-	1	-	-----	Q1,V1	
13	16220-ZA0-702	SPACER COMP., CARBURETOR	1	-	-	-----	SN	
			-	(1)	-	-----		
14	16221-ZF6-800	PACKING, CARBURETOR	1	-	-	-----	SN	
			-	1	-	2056149	L1,S1	
			-	(1)	-	2056149	Q1,V1	
15	16223-ZE3-W00	PACKING, INSULATOR	1	(1)	-	-----	Q1,SN,V1	
16	16576-891-000	HOLDER, CABLE	-	(1)	-	-----		
17	16590-ZE2-812	STAY ASSY., CHOKE CONTROL (REMOTE)	-	(1)	-	-----		
18	16594-883-010	HOLDER, WIRE	-	(1)	-	-----		
19	16610-ZE1-000	LEVER COMP., CHOKE (STD.)	1	-	-	-----	SN	
			-	(1)	-	-----		
20	16615-ZE2-810	SPRING, RETURN	-	(1)	-	-----		
21	16953-ZE1-811	LEVER, COCK (CARBURETOR NO.)	1	-	-	-----	BE48A A SN	
		///	-	(1)	-	-----	BE48A A	
	16953-ZE1-812	/// (CARBURETOR NO.)	1	-	-	BE48A B	-----	SN
			-	(1)	-	BE48A B	-----	
22	16954-ZE1-812	PLATE, LEVER SETTING	1	-	-	-----	SN	
			-	(1)	-	-----		
23	16956-ZE1-811	SPRING, COCK LEVER	1	-	-	-----	SN	
			-	(1)	-	-----		

2

E-14-1

CARBURETOR(2)

J 3

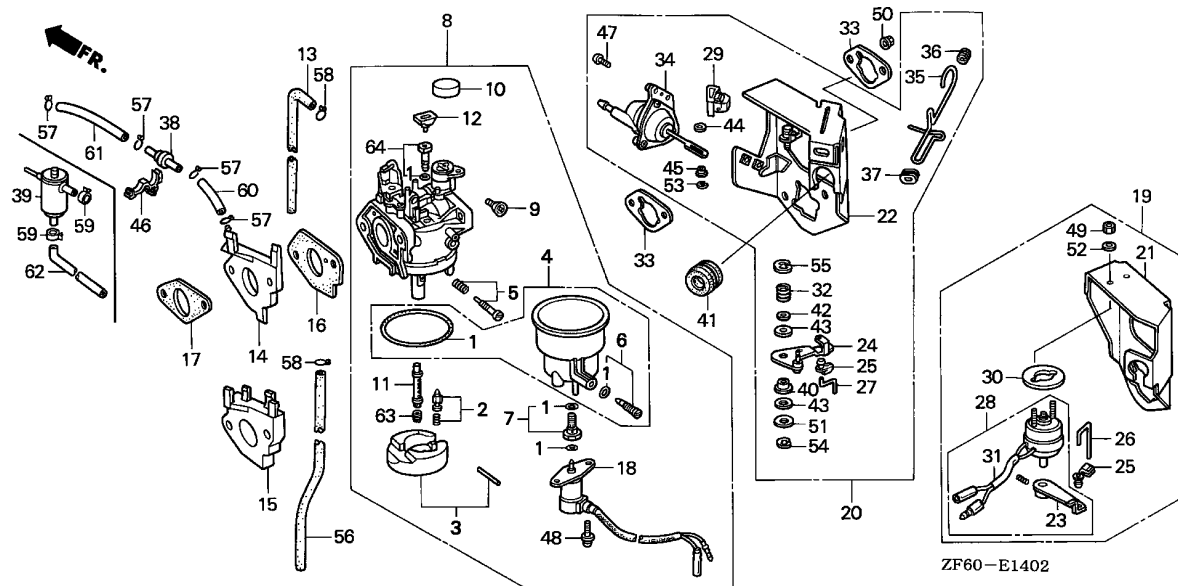
Ref. No.	Part No.	Description	Reqd. QTY			Serial No.	Parts catalogue code
			GX390K1 (1)	(2)	(3)		
24	16957-ZE1-812	PACKING, FUEL COCK	1	-	-	-----	----- SN
			-	(1)	-		
25	90605-230-000	CIRCLIP, 5MM	-	(1)	-		
26	93500-03008-1G	SCREW, PAN, 3X8	3	-	-	-----	BE48A A SN
		(CARBURETOR NO.)	-	(3)	-	-----	BE48A A
	93500-03006-1H	SCREW, PAN, 3X6	3	-	-	BE48A B -----	SN
		(CARBURETOR NO.)	-	(3)	-	BE48A B	
27	93500-04006-0H	SCREW, PAN, 4X6	-	(1)	-		
28	93893-05016-00	SCREW-WASHER, 5X16	-	(1)	-		
29	94305-20122	PIN, SPRING, 2X12	1	-	-	-----	----- SN
			-	(1)	-		
30	99101-ZH8-1000	JET, MAIN, #100	(1)	-	-	-----	----- SN
			-	(1)	-		
	99101-ZH8-1020	JET, MAIN, #102	(1)	-	-	-----	----- SN
			-	(1)	-		
	99101-ZH8-1050	JET, MAIN, #105	1	-	-	-----	----- SN
			-	1	-		
31	99204-ZE0-0400	JET SET, PILOT, #40	1	-	-	-----	BE48A A SN
		(CARBURETOR NO.)	-	(1)	-	-----	BE48A A
	99204-ZA0-0400	1	-	-	BE48A B -----	SN
		(CARBURETOR NO.)	-	(1)	-	BE48A B	

2

E-14-2

CARBURETOR(3)

J 4



Service item	F.R.T.
TUBE, AIR VENT	0.1
.TUBE, FUEL, 4.5X300	
.TUBE, 3.5X30	
.VALVE, DASHPOT CHECK	
PACKING, AIR CLEANER	0.2
.ROD, CHOKE CONTROL	
.SOLENOID, ROTARY CHOKE	
.VALVE ASSY., SOLENOID	
CARBURETOR ASSY.	0.3
.DIAPHRAGM ASSY.	
.INSULATOR, CARBURETOR	
.PACKING, CARBURETOR	
.PACKING, INSULATOR	
.STAY ASSY., MANUAL CHOKE	
.STAY COMP., SOLENOID	
CHAMBER SET, FLOAT	0.4
.FLOAT SET	
.GASKET SET	
.JET, MAIN	
.VALVE SET, FLOAT	

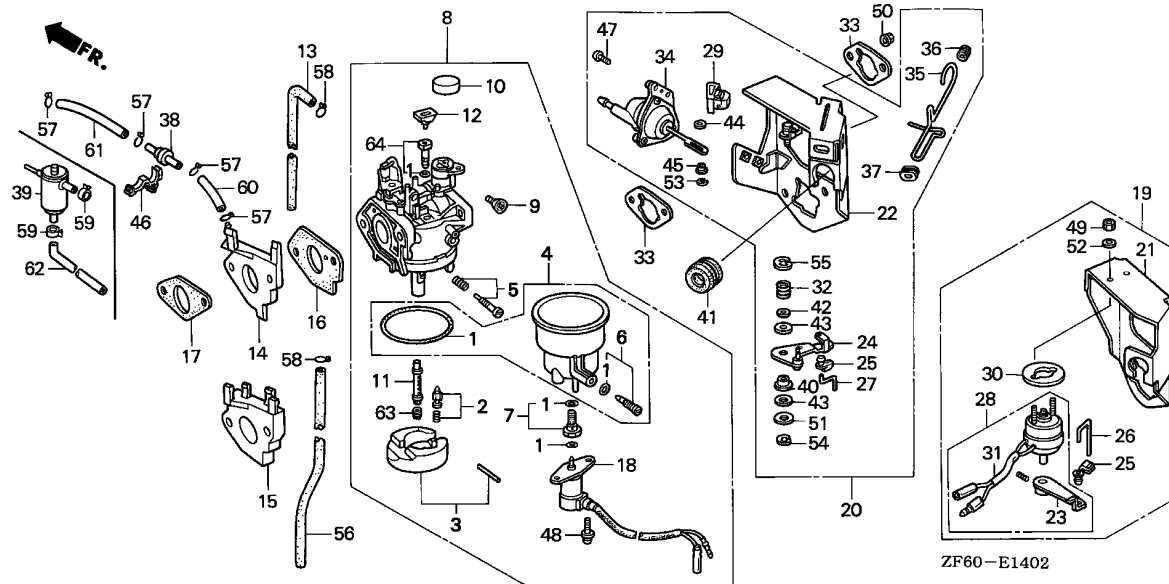
ZF60-E1402

Ref. No.	Part No.	Description	Reqd. QTY			Serial No.	Parts catalogue code
			(1)	(2)	(3)		
1	16010-ZE3-701	GASKET SET	1	-	-	EDD2,EDS,EDS1,EDS2,EDS3,EDS5,EDS6,EDS7,EDT1,EDT5,EDT6,ED6,EN6,ES3,ES4,ES5,EWS1,EWS3,EWS4,EWS5,VMT,VSB1,VSB3,VTE2	
		(CARBURETOR NO.)	1	-	-	BE87E B ----- VSD4	
		///	1	-	-	BE87E B VPE4,VPX4	
		///	1	-	-	BE50A B BE87D B VAA	
	16010-ZA0-921	1	-	-	VAA1,VC2,VPE7,VPX7	
		(CARBURETOR NO.)	1	-	-	BE87D C ----- VAA	
		///	1	-	-	BE87F A ----- VPE4,VPX4	
		///	1	-	-	BE87E A VSD4	
2	16011-ZA0-931	VALVE SET, FLOAT	1	-	-	EDD2,EDS,EDS1,EDS2,EDS3,EDS5,EDS6,EDS7,EDT1,EDT5,EDT6,ED6,EN6,ES3,ES4,ES5,EWS1,EWS3,EWS4,EWS5,VAA1,VC2,VMT,VPE4,VPE7,VPX4,VPX7,VSB1,VSB3,VSD4,VTE2	
		(CARBURETOR NO.)	1	-	-	BE50A B ----- VAA	
3	16013-ZA0-931	FLOAT SET	1	-	-	EDD2,EDS,EDS1,EDS2,EDS3,EDS5,EDS6,EDS7,EDT1,EDT5,EDT6,ED6,EN6,ES3,ES4,ES5,EWS1,EWS3,EWS4,EWS5,VAA1,VC2,VMT,VPE4,VPE7,VPX4,VPX7,VSB1,VSB3,VSD4,VTE2	
		(CARBURETOR NO.)	1	-	-	BE50A B ----- VAA	
4	16015-ZA0-931	CHAMBER SET, FLOAT	1	-	-	EDD2,EDS,EDS1,EDS2,EDS3,EDS5,EDS6,EDS7,EDT1,EDT5,EDT6,ED6,EN6,ES3,ES4,ES5,EWS1,EWS3,EWS4,EWS5,VAA1,VC2,VMT,VPE4,VPE7,VPX4,VPX7,VSB1,VSB3,VSD4,VTE2	
		(CARBURETOR NO.)	1	-	-	BE50A B ----- VAA	
5	16016-ZF6-D40	SCREW SET	1	-	-	EDS3,EDS7,EDT5,VAA1,VMT,VSB1,VSB3,VSD4	
		(CARBURETOR NO.)	1	-	-	BE50A B ----- VAA	
		///	1	-	-	BE50A B ED6	
		///	1	-	-	BE50A C EDS,EDS1,EDT1,ES3,ES4,EWS1,EWS3,EWS4,EWS5	
		///	1	-	-	BE87E B VPE4,VPX4	
		///	1	-	-	BF50A C ES5	

2

Ref. No.	Part No.	Description	Reqd. QTY			Serial No.	Parts catalogue code
			GX390K1	(1)	(2)		
(5)	16016-ZH8-W01	SCREW SET	1	-	-	-----	EDD2,EDS2,EDS6,EDT6,EN6,VC2,VPE7,VPX7,VTE2
		(CARBURETOR NO.)	1	-	-	BE87A B	EDS,EDS1,EDT1,ED6,ES3,ES4,EWS1,EWS3,EWS4,EWS5
		//	1	-	-	BE87F A	VPE4,VPX4
		//	1	-	-	BF87A B	ES5
6	16024-124-760 16024-124-761	SCREW SET, DRAIN	1	-	-	-----	EDS5
		1	-	-	-----	EDD2,EDS,EDS1,EDS2,EDS3,EDS6,EDS7,EDT1,EDT5,EDT6,ED6,EN6,ES3,ES4,ES5,EWS1,EWS3,EWS4,EWS5,VAA1,VC2,VMT,VPE4,VPE7,VPX4,VPX7,VSB1,VSB3,VSD4,VTE2
7	16028-ZE3-701 16028-ZA0-931	(CARBURETOR NO.)	1	-	-	BE50A B	VAA
		SCREW SET	1	-	-	-----	EDS,EDS1,EDS3,EDT1,ED6,ES3,ES4,EWS1,EWS3,EWS4,EWS5
		(CARBURETOR NO.)	1	-	-	-----	EDD2,EDS2,EDS5,EDS6,EDS7,EDT5,EDT6,EN6,ES5,VMT,VSB1,VSB3,VTE2
		//	1	-	-	BE50A B	EDS,EDS1,EDS3,EDT1,ED6,ES3,ES4,EWS1,EWS3,EWS4,EWS5
		//	1	-	-	BE87E B	VSD4
		//	1	-	-	BE87E B	VPE4,VPX4
		//	1	-	-	BE50A B	BE87D B
	16028-ZA0-701	1	-	-	-----	VAA1,VC2,VPE7,VPX7
		(CARBURETOR NO.)	1	-	-	BE87D C	VAA
		//	1	-	-	BE87F A	VPE4,VPX4
		//	1	-	-	-----	BE87E A
8	16100-ZF6-D40 16100-ZF6-D41	CARBURETOR ASSY. (BE50A A) ..	1	-	-	2148716	EDS,EDS1,EDS3,EDT1,ED6,ES3,ES4,EWS1,EWS3,EWS4,EWS5
		CARBURETOR ASSY. (BE50A B) ..	1	-	-	2148717	ED6
			1	-	-	2148717	VAA
			1	-	-	2148717	EDS,EDS1,EDS3,EDT1,ES3,ES4,EWS1,EWS3,EWS4,EWS5
	16100-ZF6-D42	CARBURETOR ASSY. (BE50A C) ..	1	-	-	-----	EDS7,EDT5,VMT,VSB1,VSB3
			1	-	-	2255235	EDS3
			1	-	-	-----	ES5
			1	-	-	2255235	EDS,EDS1,EDT1,ES3,ES4,EWS1,EWS3,EWS4,EWS5
			1	-	-	-----	EDS5
	16100-ZF6-R40	CARBURETOR ASSY. (BE38C A) ..	1	-	-	2258149	EDS5
	16100-ZF6-R41	CARBURETOR ASSY. (BE38C B) ..	1	-	-	-----	EDS5
	16100-ZF6-U71	CARBURETOR ASSY. (BE87D A/B)	1	-	-	2248397	VAA
	16100-ZF6-U72	CARBURETOR ASSY. (BE87D C) ..	1	-	-	-----	VAA1
			1	-	-	2282697	VAA
			1	-	-	2247976	ED6
	16100-ZF6-741	CARBURETOR ASSY. (BE87A A) ..	1	-	-	-----	EDD2,EN6,VTE2
	16100-ZF6-742	CARBURETOR ASSY. (BE87A B) ..	1	-	-	-----	ES3,ES4,EWS1,EWS3,EWS4,EWS5
			1	-	-	2658575	ES5
			1	-	-	3105388	EDS2
			1	-	-	-----	EDS5
			1	-	-	2658575	EDS,EDS1,EDT1
	16100-ZF6-V41	CARBURETOR ASSY. (BE87G A) ..	1	-	-	-----	EDS6,EDT6
			1	-	-	2767010	EDS,EDS1,EDS2,EDT1
	16100-ZK6-U31	CARBURETOR ASSY. (BE87E A) ..	1	-	-	-----	VSD4
	16100-ZK6-U32	CARBURETOR ASSY. (BE87E B) ..	1	-	-	2309855	VSD4
			1	-	-	-----	VPE4,VPX4
			1	-	-	-----	VC2,VPE7,VPX7
			1	-	-	2643256	VPE4,VPX4
9	16124-ZE0-005	SCREW, THROTTLE STOP	1	-	-	-----	EDD2,EDS,EDS1,EDS2,EDS3,EDS5,EDS6,EDS7,EDT1,EDT5,EDT6,ED6,EN6,ES3,ES4,ES5,EWS1,EWS3,EWS4,EWS5,VAA1,VC2,VMT,VPE4,VPE7,VPX4,VPX7,VSB1,VSB3,VSD4,VTE2
		(CARBURETOR NO.)	1	-	-	BE50A B	VAA
10	16148-141-881	CAP, CHOKE DUST	1	-	-	-----	EDD2,EDS,EDS1,EDS2,EDS3,EDS5,EDS6,EDS7,EDT1,EDT5,EDT6,ED6,EN6,ES3,ES4,ES5,EWS1,EWS3,EWS4,EWS5,VAA1,VC2,VMT,VPE4,VPE7,VPX4,VPX7,VSB1,VSB3,VSD4,VTE2
		(CARBURETOR NO.)	1	-	-	BE50A B	VAA
11	16166-ZE3-701	NOZZLE, MAIN	1	-	-	-----	EDS5





Ref. No.	Part No.	Description	Reqd. QTY			Serial No.	Parts catalogue code
			(1)	(2)	(3)		
11)	16166-ZF6-005	NOZZLE, MAIN	1	-	-	-----	EDD2,EDS,EDS1,EDS2,EDS3,EDS6,EDS7,EDT1,EDT5,EDT6,ED6,EN6,ES3,ES4,ES5,EWS1,EWS3,EWS4,EWS5,VAA1,VC2,VMT,VPE4,VPE7,VPX4,VPX7, VSB1, VSB3,VSD4,VTE2
		(CARBURETOR NO.)	1	-	-	BE50A B	VAA
12	16172-ZE3-W10	COLLAR SET	1	-	-	-----	EDD2,EDS2,EDS5,EDS6,EDS7,EDT5,EDT6,ED6,EN6,ES5,VAA1,VC2,VMT,VPE4,VPE7,VPX4,VPX7,VSB1,VSB3,VSD4,VTE2
		(CARBURETOR NO.)	1	-	-	BE50A B	EDS,EDS1,EDS3,EDT1,ES3,ES4,EWS1,EWS3,EWS4,EWS5,VAA
13	16199-ZA0-930	TUBE, AIR VENT	1	-	-	-----	VSD4
14	16211-ZB8-000	INSULATOR, CARBURETOR	1	-	-	-----	EDS5
15	16211-ZF6-D40	INSULATOR, CARBURETOR	1	-	-	-----	EDD2,EDS,EDS1,EDS2,EDS3,EDS6,EDS7,EDT1,EDT5,EDT6,ED6,EN6,ES3,ES4,ES5,EWS1,EWS3,EWS4,EWS5,VC2,VMT,VPE4,VPE7,VPX4,VPX7, VSB1, VSB3, VSD4,VTE2
	16211-ZF6-000	1	-	-	2148717	2282696 VAA
		1	-	-	-----	VAA1
		1	-	-	2282697	VAA
16	16221-ZB7-800	PACKING, CARBURETOR	1	-	-	-----	EDS5
	16221-ZF6-800	1	-	-	-----	EDD2,EDS,EDS1,EDS2,EDS3,EDS6,EDS7,EDT1,EDT5,EDT6,ED6,EN6,ES3,ES4,ES5,EWS1,EWS3,EWS4,EWS5,SWA4,VAA1,VC2,VMT,VPE4,VPE7,VPX4,VPX7, VSB1, VSB3, VSD4,VTE2
		1	-	-	2282697	VAA
17	16223-ZE3-W00	PACKING, INSULATOR	1	-	-	-----	EDD2,EDS,EDS1,EDS2,EDS3,EDS6,EDS7,EDT1,EDT5,EDT6,ED6,EN6,ES3,ES4,ES5,EWS1,EWS3,EWS4,EWS5,SWA4,VAA1,VC2,VMT,VPE4,VPE7,VPX4,VPX7, VSB1, VSB3, VSD4,VTE2
		1	-	-	2148717	VAA
	16223-ZE3-800	1	-	-	-----	EDS5

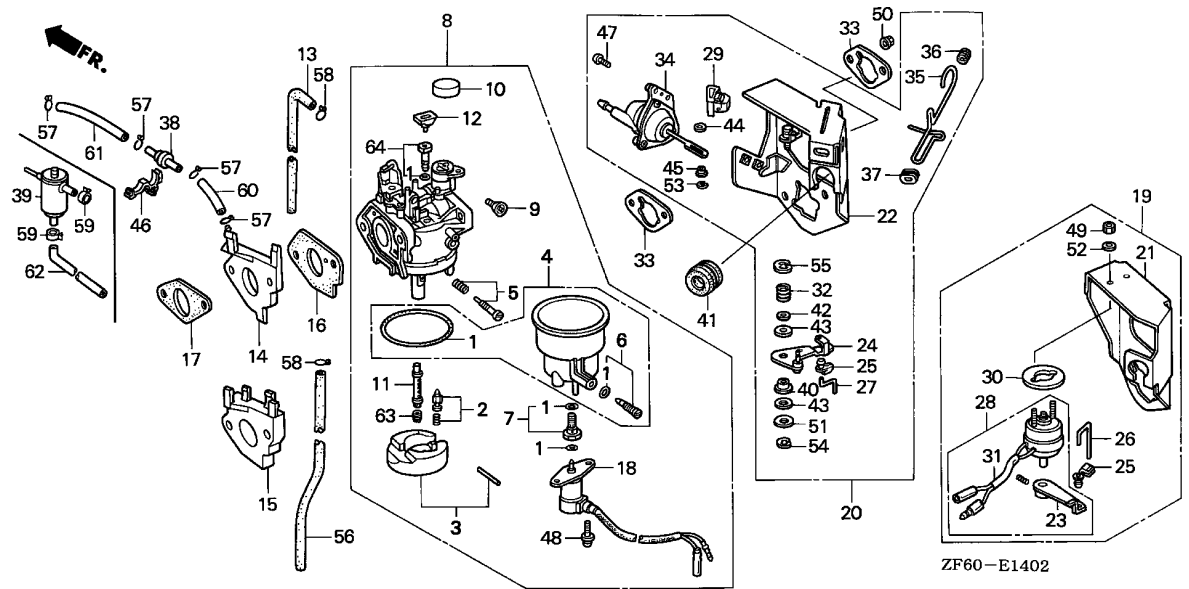
E-14-2

CARBURETOR(3)



Ref. No.	Part No.	Description	Reqd. QTY			Serial No.	Parts catalogue code
			GX390K1	(1)	(2)		
18	16230-ZE3-701	VALVE ASSY., SOLENOID	1	-	-	-----	EDD2,EDS,EDS1,EDS2,EDS3,EDS5,EDS6,EDS7,EDT1,EDT5,EDT6,ED6,EN6,ES3 ES4,ES5,EWS1,EWS3,EWS4,EWS5,VMT, VSB1, VSB3, VTE2
		(CARBURETOR NO.)	1	-	-	-----	BE87E B VPE4,VPX4
			1	-	-	-----	BE50A B BE87D B VAA
19	16260-ZB7-000	STAY ASSY., SOLENOID	1	-	-	-----	EDS5
20	16260-ZE2-722	STAY ASSY., MANUAL CHOKE	1	-	-	-----	EDS,EDS1,EDS2,EDS3,EDS6,EDS7,ES3,ES4,ES5,EWS4,EWS5,VC2,VMT,VPE4 VPE7,VPX4,VPX7,VSB1,VSB3,VSD4
			1	-	-	-----	2182790 EDT1,ED6,EWS1,EWS3
			1	-	-	-----	2148717 2182790 VAA
	16260-ZE3-D21	1	-	-	-----	EDD2,EDT5,EDT6,EN6,VTE2
			1	-	-	-----	2182791 EDT1,ED6,EWS1,EWS3
			1	-	-	-----	2182791 2282696 VAA
	16260-ZF6-U70	1	-	-	-----	VAA1
			1	-	-	-----	2282697 VAA
21	16261-ZB7-000	STAY COMP., CHOKE SOLENOID ..	1	-	-	-----	EDS5
22	16261-ZE2-702	STAY COMP., SOLENOID	1	-	-	-----	EDD2,EDS,EDS1,EDS2,EDS3,EDS6,EDS7,EDT1,EDT5,EDT6,ED6,EN6,ES3,ES4 ES5,EWS1,EWS3,EWS4,EWS5,VAA1,VC2,VMT,VPE4,VPE7,VPX4,VPX7,VSB1 VSB3,VSD4,VTE2
			1	-	-	-----	2148717 VAA
23	16262-ZB7-000	LEVER, CHOKE SOLENOID	1	-	-	-----	EDS5
24	16262-ZE2-711	LEVER, CHOKE	1	-	-	-----	EDD2,EDS,EDS1,EDS2,EDS3,EDS6,EDS7,EDT1,EDT5,EDT6,ED6,EN6,ES3,ES4 ES5,EWS1,EWS3,EWS4,EWS5,VAA1,VC2,VMT,VPE4,VPE7,VPX4,VPX7,VSB1 VSB3,VSD4,VTE2
			1	-	-	-----	2148717 VAA
25	16263-ZA0-000	JOINT, ROD	1	-	-	-----	EDD2,EDS,EDS1,EDS2,EDS3,EDS5,EDS6,EDS7,EDT1,EDT5,EDT6,ED6,EN6,ES3 ES4,ES5,EWS1,EWS3,EWS4,EWS5,VAA1,VC2,VMT,VPE4,VPE7,VPX4,VPX7,VSB1 VSB3,VSD4,VTE2
			1	-	-	-----	2148717 VAA
26	16264-ZB7-000	ROD, CHOKE SOLENOID	1	-	-	-----	EDS5
27	16264-ZE2-701	ROD, CHOKE	1	-	-	-----	EDD2,EDS,EDS1,EDS2,EDS3,EDS6,EDS7,EDT1,EDT5,EDT6,ED6,EN6,ES3,ES4 ES5,EWS1,EWS3,EWS4,EWS5,VAA1,VC2,VMT,VPE4,VPE7,VPX4,VPX7,VSB1 VSB3,VSD4,VTE2
			1	-	-	-----	2148717 VAA
28	16265-ZB7-000	SOLENOID ASSY., CHOKE	1	-	-	-----	EDS5
29	16265-ZE2-721	STOPPER, CHOKE ROD	1	-	-	-----	EDD2,EDS,EDS1,EDS2,EDS3,EDS6,EDS7,EDT1,EDT5,EDT6,ED6,EN6,ES3,ES4 ES5,EWS1,EWS3,EWS4,EWS5,VAA1,VC2,VMT,VPE4,VPE7,VPX4,VPX7,VSB1 VSB3,VSD4,VTE2
			1	-	-	-----	2148717 VAA
30	16266-ZB7-000	SPACER, CHOKE SOLENOID	1	-	-	-----	EDS5
31	16267-ZB7-003	SOLENOID, ROTARY CHOKE	1	-	-	-----	EDS5
32	16268-ZE2-721	SPRING, MANUAL CHOKE	1	-	-	-----	EDD2,EDS,EDS1,EDS2,EDS3,EDS6,EDS7,EDT1,EDT5,EDT6,ED6,EN6,ES3,ES4 ES5,EWS1,EWS3,EWS4,EWS5,VAA1,VC2,VMT,VPE4,VPE7,VPX4,VPX7,VSB1 VSB3,VSD4,VTE2
			1	-	-	-----	2148717 VAA
33	16269-ZA0-800	PACKING, AIR CLEANER	2	-	-	-----	EDD2,EDS,EDS1,EDS2,EDS3,EDS5,EDS6,EDS7,EDT1,EDT5,EDT6,ED6,EN6,ES3 ES4,ES5,EWS1,EWS3,EWS4,EWS5,VAA1,VC2,VMT,VPE4,VPE7,VPX4,VPX7,VSB1 VSB3,VSD4,VTE2
			2	-	-	-----	2148717 VAA
34	16400-ZE2-703	DIAPHRAGM ASSY.	1	-	-	-----	EDD2,EDS,EDS1,EDS2,EDS3,EDS6,EDS7,EDT1,EDT5,EDT6,ED6,EN6,ES3,ES4 ES5,EWS1,EWS3,EWS4,EWS5,VC2,VMT,VPE4,VPE7,VPX4,VPX7,VSB1,VSB3 VSD4,VTE2
			1	-	-	-----	2148717 2282696 VAA

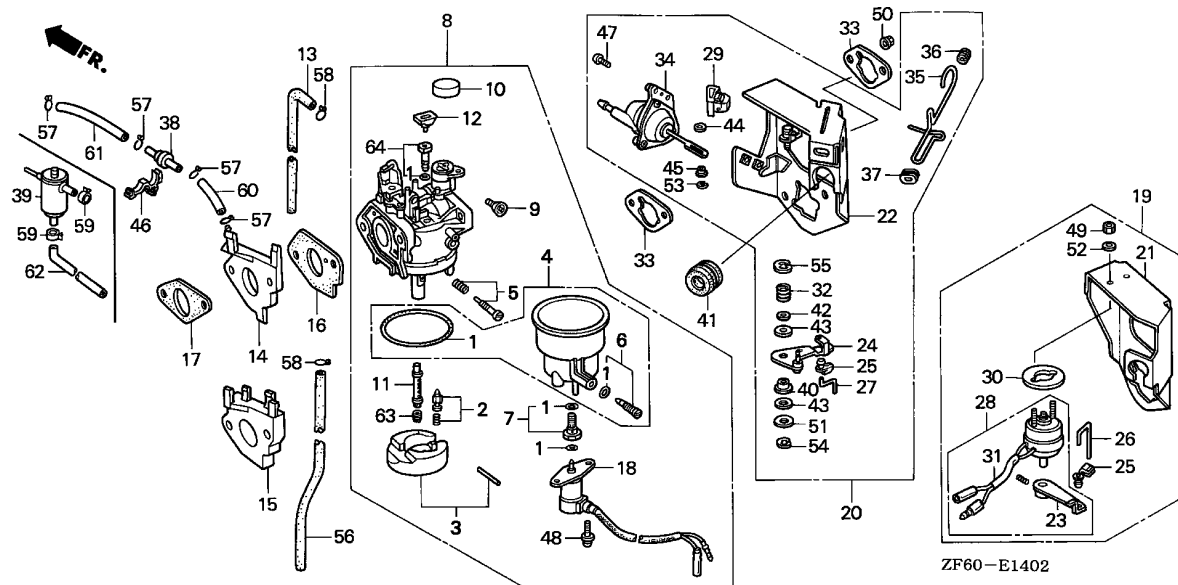




Ref. No.	Part No.	Description	Reqd. QTY			Serial No.	Parts catalogue code
			(1)	(2)	(3)		
35	16611-ZE2-711	ROD, CHOKE CONTROL	1	-	-	-----	EDS,EDS1,EDS2,EDS3,EDS6,EDS7,ES3,ES4,ES5,EWS4,EWS5,VAA1,VC2,VMT VPE4,VPE7,VPX4,VPX7, VSB1,VSB3,VSD4
			1	-	-	2182790	EDT1,ED6,EWS1,EWS3
			1	-	-	2148717	2182790 VAA
	16611-ZE3-D21	1	-	-	-----	EDD2,EDT5,EDT6,EN6,VTE2
			1	-	-	2182791	EDT1,ED6,EWS1,EWS3,VAA
36	16613-893-000	GROMMET, CHOKE ROD	1	-	-	-----	EDD2,EDS,EDS1,EDS2,EDS3,EDS6,EDS7,EDT1,EDT5,EDT6,ED6,EN6,ES3,ES4 ES5,EWS1,EWS3,EWS4,EWS5,VAA1,VC2,VMT,VPE4,VPE7,VPX4,VPX7,VSB1 VSB3,VSD4,VTE2
			1	-	-	2148717	VAA
37	16615-893-000	GUIDE, CHOKE ROD	1	-	-	-----	EDD2,EDS,EDS1,EDS2,EDS3,EDS6,EDS7,EDT1,EDT5,EDT6,ED6,EN6,ES3,ES4 ES5,EWS1,EWS3,EWS4,EWS5,VAA1,VC2,VMT,VPE4,VPE7,VPX4,VPX7,VSB1 VSB3,VSD4,VTE2
			1	-	-	2148717	VAA
38	36135-ZF6-D41	VALVE, DASHPOT CHECK	1	-	-	-----	EDD2,EDS,EDS1,EDS2,EDS3,EDS6,EDS7,EDT1,EDT5,EDT6,ED6,EN6,ES3,ES4 EWS1,EWS3,EWS4,EWS5,VC2,VMT,VPE4,VPE7,VPX4,VPX7,VSB1,VSB3,VSD4 VTE2
			1	-	-	2148717	2282696 VAA
39	36170-ZB4-003	VALVE ASSY., SOLENOID	1	-	-	-----	EDS3
40	53149-964-003	BUSH, ARM PIVOT	1	-	-	-----	EDD2,EDS,EDS1,EDS2,EDS3,EDS6,EDS7,EDT1,EDT5,EDT6,ED6,EN6,ES3,ES4 ES5,EWS1,EWS3,EWS4,EWS5,VAA1,VC2,VMT,VPE4,VPE7,VPX4,VPX7,VSB1 VSB3,VSD4,VTE2
			1	-	-	2148717	VAA
41	88911-MJ3-000	GROMMET, FENDER	1	-	-	-----	EDD2,EDS,EDS1,EDS2,EDS3,EDS5,EDS6,EDS7,EDT1,EDT5,EDT6,ED6,EN6,ES3 ES4,ES5,EWS1,EWS3,EWS4,EWS5,VAA1,VC2,VMT,VPE4,VPE7,VPX4,VPX7,VSB1 VSB3,VSD4,VTE2
			1	-	-	2148717	VAA

Ref. No.	Part No.	Description	Reqd. QTY			Serial No.	Parts catalogue code
			(1)	(2)	(3)		
42	90431-ZE2-700	WASHER, CHOKE LEVER	1	-	-	-----	EDD2,EDS,EDS1,EDS2,EDS3,EDS6,EDS7,EDT1,EDT5,EDT6,ED6,EN6,ES3,ES4 ES5,EWS1,EWS3,EWS4,EWS5,VAA1,VC2,VMT,VPE4,VPE7,VPX4,VPX7,USB1 VSB3,VSD4,VTE2
43	90432-ZE2-700	SEAL, CHOKE LEVER	2	-	-	2148717 -----	VAA EDD2,EDS,EDS1,EDS2,EDS3,EDS6,EDS7,EDT1,EDT5,EDT6,ED6,EN6,ES3,ES4 ES5,EWS1,EWS3,EWS4,EWS5,VAA1,VC2,VMT,VPE4,VPE7,VPX4,VPX7,USB1 VSB3,VSD4,VTE2
44	90433-ZE2-700	WASHER, THRUST, 2.7X8	2	-	-	2148717 -----	VAA EDD2,EDS,EDS1,EDS2,EDS3,EDS6,EDS7,EDT1,EDT5,EDT6,ED6,EN6,ES3,ES4 ES5,EWS1,EWS3,EWS4,EWS5,VC2,VMT,VPE4,VPE7,VPX4,VPX7,USB1,VSB3 VSD4,VTE2
45	90434-ZE2-700	COLLAR, LEVER	1	-	-	2148717 2282696 -----	VAA EDD2,EDS,EDS1,EDS2,EDS3,EDS6,EDS7,EDT1,EDT5,EDT6,ED6,EN6,ES3,ES4 ES5,EWS1,EWS3,EWS4,EWS5,VC2,VMT,VPE4,VPE7,VPX4,VPX7,USB1,VSB3 VSD4,VTE2
46	90650-SD9-003	CLIP, WIRE HARNESS	1	-	-	-----	EDD2,EDS,EDS1,EDS2,EDS6,EDS7,EDT1,EDT5,EDT6,ED6,EN6,ES3,ES4,EWS1 EWS3,EWS4,EWS5,VC2,VMT,VSB1,VSB3,VSD4,VTE2
47	93500-05012-0A	SCREW, PAN, 5X12	2	-	-	2402704 2282696 -----	VPE4,VPX4 VAA EDD2,EDS,EDS1,EDS2,EDS3,EDS6,EDS7,EDT1,EDT5,EDT6,ED6,EN6,ES3,ES4 ES5,EWS1,EWS3,EWS4,EWS5,VC2,VMT,VPE4,VPE7,VPX4,VPX7,USB1,VSB3 VSD4,VTE2
48	93892-05012-08 93892-05012-18	SCREW-WASHER, 5X12	2	-	-	2148717 2282696 -----	VAA EDS5 EDD2,EDS,EDS1,EDS2,EDS3,EDS6,EDS7,EDT1,EDT5,EDT6,ED6,EN6,ES3,ES4 ES5,EWS1,EWS3,EWS4,EWS5,VMT,VSB1,VSB3,VSD4,VTE2
		(CARBURETOR NO.)	2	-	-	-----	BE87E B VPE4,VPX4
49	94001-03000-0S	NUT, HEX., 3MM	2	-	-	BE50A B BE87D B -----	VAA
50	94050-06000	NUT, FLANGE, 6MM	2	-	-	-----	EDS5 EDD2,EDS,EDS1,EDS3,EDS5,EDS6,EDS7,EDT1,EDT5,EDT6,ED6,EN6,ES3,ES4 ES5,EWS1,EWS3,EWS4,EWS5,VAA1,VMT,VPE4,VPX4,VSB1,VSB3,VSD4,VTE2
51	94103-05000	WASHER, PLAIN, 5MM	2	-	-	2148717 -----	VAA EDD2,EDS,EDS1,EDS2,EDS3,EDS6,EDS7,EDT1,EDT5,EDT6,ED6,EN6,ES3,ES4 ES5,EWS1,EWS3,EWS4,EWS5,VAA1,VC2,VMT,VPE4,VPE7,VPX4,VPX7,USB1 VSB3,VSD4,VTE2
52	94111-03800	WASHER, SPRING, 3MM	1	-	-	-----	VAA
53	94540-02010	E-RING, 2MM	1	-	-	-----	EDS5 EDD2,EDS,EDS1,EDS2,EDS3,EDS6,EDS7,EDT1,EDT5,EDT6,ED6,EN6,ES3,ES4 ES5,EWS1,EWS3,EWS4,EWS5,VC2,VMT,VPE4,VPE7,VPX4,VPX7,USB1,VSB3 VSD4,VTE2
54	94540-04010	E-RING, 4MM	1	-	-	2148717 2287696 -----	VAA EDD2,EDS,EDS1,EDS2,EDS3,EDS6,EDS7,EDT1,EDT5,EDT6,ED6,EN6,ES3,ES4 ES5,EWS1,EWS3,EWS4,EWS5,VAA1,VC2,VMT,VPE4,VPE7,VPX4,VPX7,USB1 VSB3,VSD4,VTE2
55	94540-07010	E-RING, 7MM	1	-	-	2148717 -----	VAA EDD2,EDS,EDS1,EDS2,EDS3,EDS6,EDS7,EDT1,EDT5,EDT6,ED6,EN6,ES3,ES4 ES5,EWS1,EWS3,EWS4,EWS5,VAA1,VC2,VMT,VPE4,VPE7,VPX4,VPX7,USB1 VSB3,VSD4,VTE2
56	95001-45300-40	TUBE, FUEL, 4.5X300 (95001-45001-60M)	1	-	-	-----	VSD4





ZF60-E1402

Ref. No.	Part No.	Description	Reqd. QTY			Serial No.	Parts catalogue code
			(1)	(2)	(3)		
57	95002-02070	CLIP, TUBE (B7)	4	-	-	-----	EDD2,EDS,EDS1,EDS2,EDS3,EDS6,EDS7,EDT1,EDT5,EDT6,ED6,EN6,ES3,ES4 EWS1,EWS3,EWS4,EWS5,VC2,VMT,VPE4,VPE7,VPX4,VPX7,VS1,VS3,VSD4 VTE2
58	95002-02080	CLIP, TUBE (B8)	4	-	-	2148717 2287696	VAA
59	95002-40800-08	CLAMP, TUBE (D8)	2	-	-	-----	VSD4
60	95005-35055-10	TUBE, 3.5X55(95005-35001-10M)	1	-	-	-----	EDS3
	95005-35075-10	TUBE, 3.5X75(95005-35001-10M)	1	-	-	-----	EWS1,EWS3
	95005-35495-11	TUBE, 3.5X495(95005-35001-10M)	1	-	-	2148717 2282696	EDD2,EDS,EDS1,EDS2,EDS6,EDS7,EDT1,EDT5,EDT6,ED6,EN6,ES3,ES4,EWS4 EWS5,VC2,VMT,VPE4,VPE7,VPX4,VPX7,VS1,VS3,VSD4,VTE2
	95005-35495-11	TUBE, 3.5X495(95005-35001-10M)	1	-	-	-----	VAA
	95005-35495-11	TUBE, 3.5X495(95005-35001-10M)	1	-	-	-----	EDS3
61	95005-35030-10	TUBE, 3.5X30(95005-35001-10M)	1	-	-	-----	EDS3
	95005-35130-10	TUBE, 3.5X130(95005-35001-10M)	1	-	-	-----	EDD2,EDS,EDS1,EDS2,EDS6,EDS7,EDT1,EDT5,EDT6,ED6,EN6,ES3,ES4,EWS1 EWS3,EWS4,EWS5,VC2,VMT,VPE4,VPE7,VPX4,VPX7,VS1,VS3,VSD4,VTE2
	95005-35030-10	TUBE, 3.5X30(95005-35001-10M)	1	-	-	2148717 2287696	VAA
62	95005-35695-10	TUBE, 3.5X695(95005-35001-10M)	1	-	-	-----	EDS3
63	99101-ZF5-0980	JET, MAIN, #98 (CARBURETOR NO.)	(1)	-	-	-----	BE50A A EDS,EDS1,EDS3,EDT1,ED6,ES3,ES4,EWS1,EWS3,EWS4,EWS5
	99101-ZF5-1000	JET, MAIN, #100 (CARBURETOR NO.)	(1)	-	-	-----	BE50A A EDS,EDS1,EDS3,EDT1,ED6,ES3,ES4,EWS1,EWS3,EWS4,EWS5
	99101-ZF5-1020	JET, MAIN, #102 (CARBURETOR NO.)	(1)	-	-	-----	BE50A A EDS,EDS1,EDS3,EDT1,ED6,ES3,ES4,EWS1,EWS3,EWS4,EWS5
	99101-ZH8-0980	JET, MAIN, #98	(1)	-	-	-----	ED6
	99101-ZH7-0980	JET, MAIN, #98	(1)	-	-	-----	VTE2
	99101-ZH7-1000	JET, MAIN, #100 (CARBURETOR NO.)	(1)	-	-	BE50A B	BE50A B VAA
	99101-ZH7-1000	JET, MAIN, #100 (CARBURETOR NO.)	(1)	-	-	-----	VTE2
	99101-ZH7-1000	JET, MAIN, #100 (CARBURETOR NO.)	(1)	-	-	BE50A B	BE50A B VAA

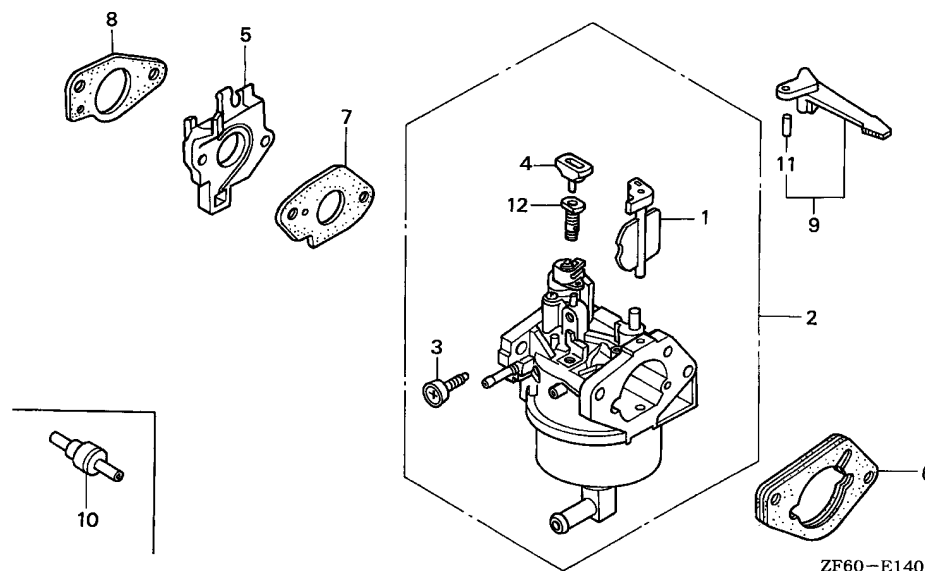
Ref. No.	Part No.	Description	Reqd. QTY			Serial No.	Parts catalogue code
			GX390K1	(1)	(2)		
63)	99101-ZH7-1020	JET, MAIN, #102 (CARBURETOR NO.)	1	-	-	-----	VTE2
	99101-ZH8-0880	JET, MAIN, #88	(1)	-	-	BE50A B	BE50A B VAA
	99101-ZH8-0900	JET, MAIN, #90	(1)	-	-	-----	EDS5
	99101-ZH8-0920	JET, MAIN, #92	1	-	-	-----	EDS5
	99101-ZH8-0980	JET, MAIN, #98 (CARBURETOR NO.)	(1)	-	-	-----	EDD2,EDS2,EDS6,EDS7,EDT5,EDT6,EN6,ES5,VC2,VMT,VPE4,VPE7,VPX4,VPX7 VSB1,VSB3,VSD4
	99101-ZH8-1000	JET, MAIN, #100 (CARBURETOR NO.)	(1)	-	-	BE50A B	EDS,EDS1,EDS3,EDT1,ED6,ES3,ES4,EWS1,EWS3,EWS4,EWS5 EDD2,EDS2,EDS6,EDS7,EDT5,EDT6,ED6,EN6,ES5,VC2,VMT,VPE4,VPE7,VPX4 VPX7,VSB1,VSB3,VSD4
	99101-ZH8-1020	JET, MAIN, #102 (CARBURETOR NO.)	1	-	-	-----	EDS,EDS1,EDS3,EDT1,ES3,ES4,EWS1,EWS3,EWS4,EWS5 EDD2,EDS6,EDS7,EDT5,EDT6,ED6,EN6,ES5,VC2,VMT,VPE4,VPE7,VPX4,VPX7 VSB1,VSB3,VSD4
	''	''	1	-	-	BE50A B	EDS,EDS1,EDS3,EDT1,ES3,ES4,EWS1,EWS3,EWS4,EWS5
	''	''	(1)	-	-	-----	BE87A B EDS2
	''	''	(1)	-	-	-----	VAA1
	99101-ZH8-1050	JET, MAIN, #105 (CARBURETOR NO.)	(1)	-	-	BE87D A	VAA
	''	''	1	-	-	BE87G A	EDS2
	''	''	(1)	-	-	-----	EDT6,VAA1
	''	''	(1)	-	-	BE87D A	VAA
	''	''	(1)	-	-	BE87G A	EDS,EDS1,EDT1
	99101-ZH8-1080	JET, MAIN, #108 (CARBURETOR NO.)	1	-	-	-----	VAA1
	''	''	1	-	-	BE87D A	VAA
64	99204-ZE2-0380	JET SET, PILOT, #38	1	-	-	-----	EDS5
	99204-ZE0-0450	JET SET, PILOT, #45 (CARBURETOR NO.)	1	-	-	-----	BE50A A EDS,EDS1,EDS3,EDT1,ED6,ES3,ES4,EWS1,EWS3,EWS4,EWS5 EDD2,EDS2,EDS6,EDS7,EDT5,EDT6,ED6,EN6,ES5,VAA1,VC2,VMT,VPE4,VPE7 VPX4,VPX7,VSB1,VSB3,VSD4,VTE2
	99204-ZA0-0450 (CARBURETOR NO.)	1	-	-	BE50A B	EDS,EDS1,EDS3,EDT1,ES3,ES4,EWS1,EWS3,EWS4,EWS5,VAA



E-14-3

CARBURETOR(4)

J12



Service item	F.R.T.
VALVE, DASHPOT CHECK	0.1
CARBURETOR ASSY.	0.2
.INSULATOR, CARBURETOR	
.LEVER COMP., CHOKE	
.PACKING, CARBURETOR	
.PACKING, INSULATOR	

2

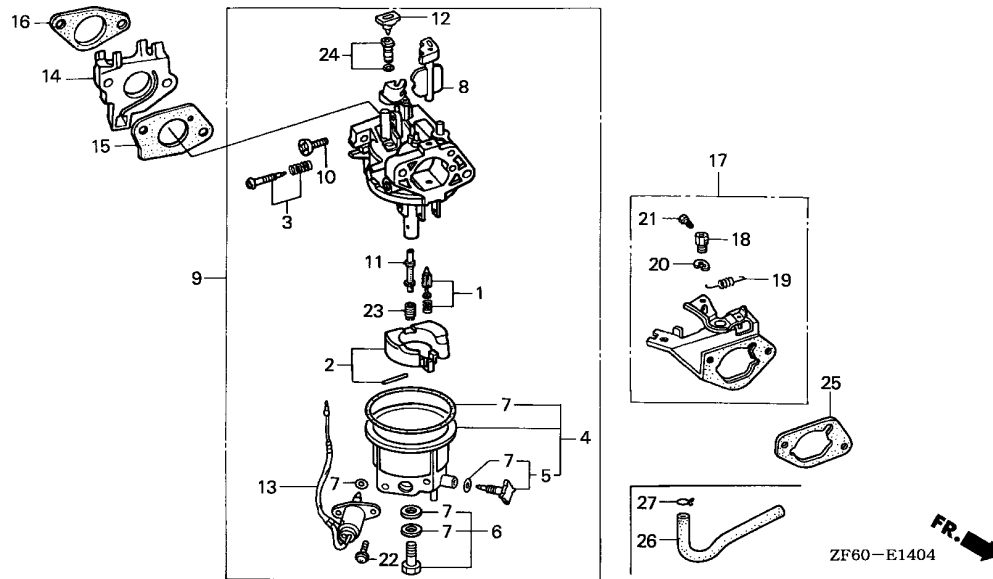
FR.

Ref. No.	Part No.	Description	Reqd. QTY			Serial No.	Parts catalogue code
			GX390K1				
			(1)	(2)	(3)		
1	16044-ZF6-W61	CHOKE SET	-	-	1	-----	QAP,VAP,VXP,VXQP
2	16100-ZF6-W61	CARBURETOR ASSY. (BEL5A A) ..	-	-	1	-----	QAP,VAP,VXP,VXQP
3	16124-ZE0-005	SCREW, THROTTLE STOP	-	-	1	-----	QAP,VAP,VXP,VXQP
4	16172-ZE3-W10	COLLAR SET	-	-	1	-----	QAP,VAP,VXP,VXQP
5	16211-ZF6-000	INSULATOR, CARBURETOR	-	-	1	-----	QAP,VAP,VXP,VXQP
6	16220-ZA0-702	SPACER COMP., CARBURETOR	-	-	1	-----	QAP,VAP,VXP,VXQP
7	16221-ZF6-800	PACKING, CARBURETOR	-	-	1	-----	QAP,VAP,VXP,VXQP
8	16223-ZE3-W00	PACKING, INSULATOR	-	-	1	-----	QAP,VAP,VXP,VXQP
9	16610-ZE1-000	LEVER COMP., CHOKE (STD.)	-	-	1	-----	QAP,VAP,VXP,VXQP
10	36135-PH3-004	VALVE, DASHPOT CHECK	-	-	1	-----	VAP,VXP,VXQP
11	94305-20122	PIN, SPRING, 2X12	-	-	1	-----	QAP,VAP,VXP,VXQP
12	99104-ZE0-0450	JET, PILOT, #45	-	-	1	-----	QAP,VAP,VXP,VXQP

E-14-4

CARBURETOR(5)

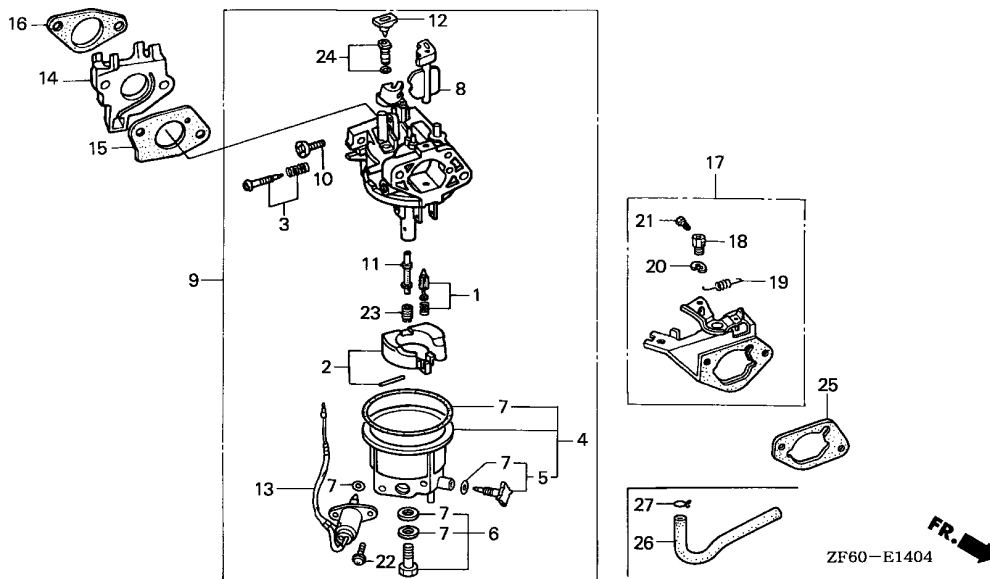
J13



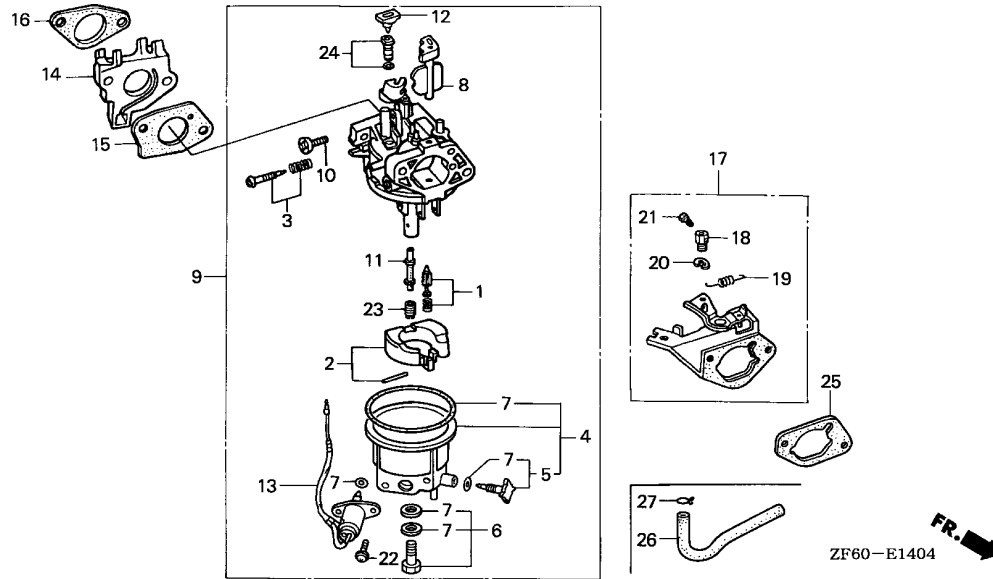
Service item	F.R.T.
PACKING, AIR CLEANER	0.1
.SPRING, RETURN	
.TUBE, FUEL, 4.5X260	
CARBURETOR ASSY.	0.2
.INSULATOR, CARBURETOR	
.PACKING, CARBURETOR	
.PACKING, INSULATOR	
.SCREW SET	
.STAY ASSY., CHOKE CONTROL	
.VALVE ASSY., SOLENOID	
FLOAT SET	0.3
.JET, MAIN,	
.VALVE SET, FLOAT	

Ref. No.	Part No.	Description	Reqd. QTY			Serial No.	Parts catalogue code
			GX390K1	(1)	(2)		
1	16011-ZA0-931	VALVE SET, FLOAT	1	-	-	BE87C A -----	ZK1
2	16013-ZA0-931	FLOAT SET	1	-	-	BE87C A -----	ZK1
3	16016-ZF6-005	SCREW SET	1	-	-	BE87C A -----	ZK1
4	16023-ZE3-L60	CHAMBER SET, FLOAT	1	-	-	BE87C A -----	ZK1
5	16024-ZE3-L60	SCREW SET, DRAIN	1	-	-	BE87C A -----	ZK1
6	16028-ZA0-981	SCREW SET	1	-	-	BE87C A -----	ZK1
7	16040-ZA0-702	GASKET SET	1	-	-	BE87C A -----	ZK1
8	16044-ZE3-W20	CHOKE SET	1	-	-	BE87C A -----	ZK1
9	16100-ZF6-L61	CARBURETOR ASSY. (BE87C A/B)	1	-	-	2240895 2325608	ZK1
	16100-ZF6-L62	CARBURETOR ASSY. (BE87C C)	1	-	-	2325609 2358663	ZK1
	16100-ZF6-L63	CARBURETOR ASSY. (BE87C D)	1	-	-	2358664 -----	ZK1
10	16124-ZE0-005	SCREW, THROTTLE STOP	1	-	-	BE87C A -----	ZK1
11	16166-ZF6-V00	NOZZLE, MAIN	1	-	-	BE87C A -----	ZK1
12	16172-ZE3-W10	COLLAR SET	1	-	-	BE87C A -----	ZK1
13	16200-ZJ1-003	VALVE ASSY., SOLENOID	1	-	-	BE87C A BE87C C	ZK1

2



Ref. No.	Part No.	Description	Reqd. QTY			Serial No.	Parts catalogue code
			GX390K1	(1)	(2)		
13)	16200-ZF6-L61	VALVE ASSY., SOLENOID (CARBURETOR NO.)	1	-	-	BE87C D	----- ZK1
14	16211-ZF6-L60	INSULATOR, CARBURETOR	1	-	-	2240895	----- ZK1
15	16221-ZE3-800	PACKING, CARBURETOR	1	-	-	2240895	----- ZK1
16	16223-ZE3-W00	PACKING, INSULATOR	1	-	-	2240895	----- ZK1
17	16590-ZE3-L63	STAY ASSY., CHOKE CONTROL (REMOTE)	1	-	-	2240895	2325608 ZK1
	16590-ZF6-L60	1	-	-	2325609	----- ZK1
18	16594-883-010	HOLDER, WIRE	1	-	-	2240895	----- ZK1
19	16615-ZE2-810	SPRING, RETURN	1	-	-	2240895	----- ZK1
20	90605-230-000	CIRCLIP, 5MM	1	-	-	2240895	----- ZK1
21	92301-04006-0A	BOLT, RECESSED, 4X6	1	-	-	2240895	----- ZK1
22	93892-05012-18	SCREW-WASHER, 5X12	2	-	-	2240895	----- ZK1
23	99101-ZH7-0900	JET, MAIN, #90 (CARBURETOR NO.)	(1)	-	-	BE87C A	BE87C B ZK1
	99101-ZH7-0920	JET, MAIN, #92 (CARBURETOR NO.)	(1)	-	-	BE87C A	BE87C B ZK1
	99101-ZH7-0950	JET, MAIN, #95 (CARBURETOR NO.)	1	-	-	BE87C A	BE87C B ZK1
	99101-ZH8-0920	JET, MAIN, #92 (CARBURETOR NO.)	(1)	-	-	BE87C C	----- ZK1
	99101-ZH8-0950	JET, MAIN, #95 (CARBURETOR NO.)	(1)	-	-	BE87C C	----- ZK1
	99101-ZH8-0980	JET, MAIN, #98 (CARBURETOR NO.)	1	-	-	BE87C C	----- ZK1
24	99204-ZA0-0450	JET SET, PILOT, #45 (CARBURETOR NO.)	1	-	-	BE87C A	----- ZK1



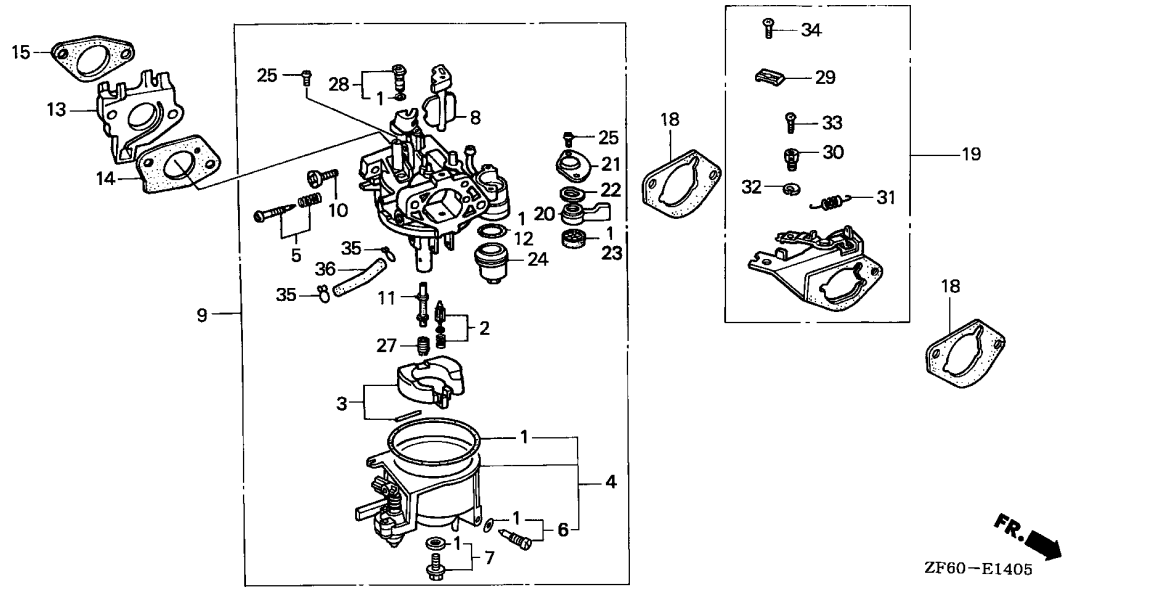
Ref. No.	Part No.	Description	Reqd. QTY			Serial No.	Parts catalogue code
			GX390K1	(1)	(2)		
25	16269-ZA0-800	PACKING, AIR CLEANER	1	-	-	2325609 -----	ZK1
26	95001-45260-40	TUBE, FUEL, 4.5X260 (95001-45001-60M)	1	-	-	2319244 -----	ZK1
27	95002-02080	CLIP, TUBE (B8)	1	-	-	2319244 -----	ZK1



E-14-5

CARBURETOR(6)

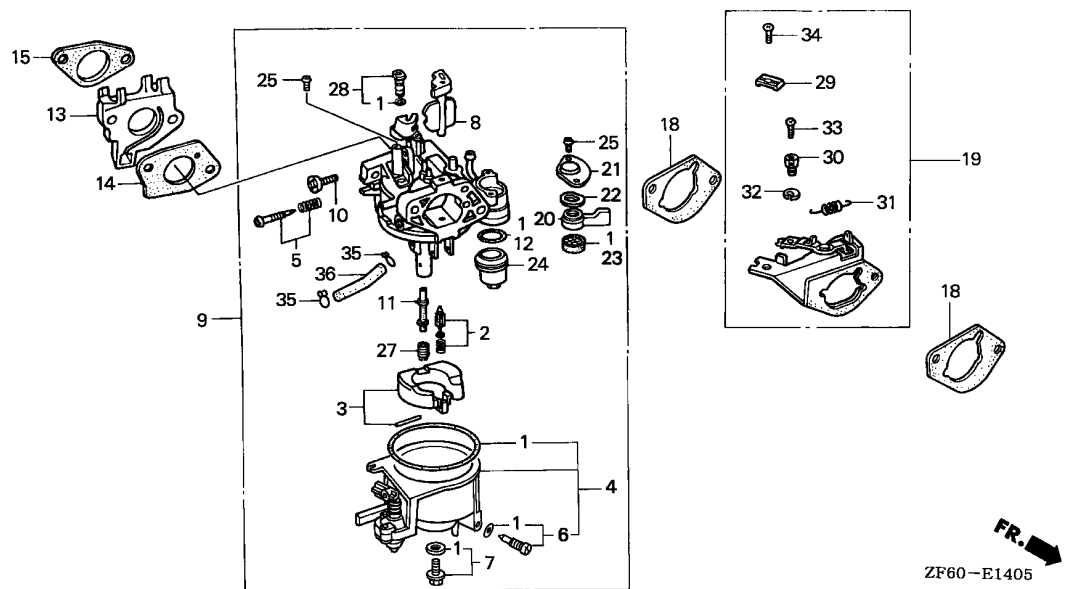
J16



Service item	F.R.T.
PACKING, AIR CLEANER	0.1
.SPRING, RETURN .TUBE, 3.5X80	
CARBURETOR ASSY.	0.2
.INSULATOR, CARBURETOR .PACKING, CARBURETOR .PACKING, FUEL COCK .PACKING, FUEL STRAINER CUP .PACKING, INSULATOR .SCREW SET, PILOT	
.STAY ASSY., CHOKE CONTROL FLOAT SET	0.3
.GASKET SET .JET, MAIN, .VALVE SET, FLOAT	

2

Ref. No.	Part No.	Description	Reqd. QTY			Serial No.	Parts catalogue code	
			(1)	(2)	(3)			
1	16010-ZF6-U11	GASKET SET	1	-	-	-----	SXX	
2	16011-ZA0-931	VALVE SET, FLOAT	1	-	-	-----	SXX	
3	16013-ZA0-931	FLOAT SET	1	-	-	-----	SXX	
4	16015-ZF6-U12	CHAMBER SET, FLOAT	1	-	-	-----	SXX	
5	16016-ZE0-005	SCREW SET, PILOT	1	-	-	-----	SXX	
6	16024-124-760	SCREW SET, DRAIN	1	-	-	-----	SXX	
7	16028-ZE0-005	SCREW SET	1	-	-	-----	SXX	
8	16044-ZF6-U11	CHOKE SET	1	-	-	-----	SXX	
9	16100-ZF6-U11	CARBURETOR ASSY. (BE85G A) ..	1	-	-	2881520	SXX	
	16100-ZF6-U12	CARBURETOR ASSY. (BE85G B) ..	1	-	-	2881521 2975872	SXX	
	16100-ZF6-U14	CARBURETOR ASSY. (BE85G C) ..	1	-	-	2975873	SXX	
10	16124-ZE0-005	SCREW, THROTTLE STOP	1	-	-	-----	SXX	
11	16166-ZH9-000	NOZZLE, MAIN						
		(CARBURETOR NO.)	1	-	-	BE85G A	SXX	
	16166-ZF6-U11						
		(CARBURETOR NO.)	1	-	-	BE85G B	BE85G B SXX	
	16166-ZH9-000						
		(CARBURETOR NO.)	1	-	-	BE85G C	-----	SXX
12	16173-001-004	PACKING, FUEL STRAINER CUP ..	1	-	-	-----	SXX	
13	16211-ZF6-000	INSULATOR, CARBURETOR	1	-	-	-----	SXX	
14	16221-ZF6-800	PACKING, CARBURETOR	1	-	-	-----	SXX	
15	16223-ZE3-W00	PACKING, INSULATOR	1	-	-	-----	SXX	
18	16269-ZA0-800	PACKING, AIR CLEANER	2	-	-	-----	SXX	
19	16590-ZE2-812	STAY ASSY., CHOKE CONTROL (REMOTE)	1	-	-	-----	SXX	
20	16953-ZE1-812	LEVER, COCK	1	-	-	-----	SXX	



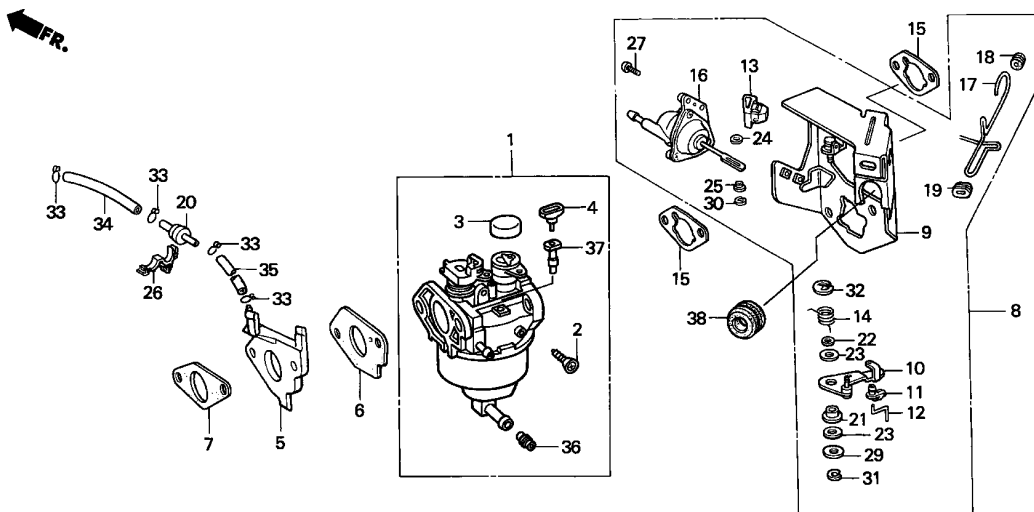
Ref. No.	Part No.	Description	Reqd. QTY			Serial No.	Parts catalogue code
			(1)	(2)	(3)		
21	16954-ZE1-812	PLATE, LEVER SETTING	1	-	-	-	SXX
22	16956-ZE1-811	SPRING, COCK LEVER	1	-	-	-	SXX
23	16957-ZE1-812	PACKING, FUEL COCK	1	-	-	-	SXX
24	16967-ZE0-811	CUP, FUEL STRAINER	1	-	-	-	SXX
25	93500-03006-1H	SCREW, PAN, 3X6	3	-	-	-	SXX
27	99101-ZH8-1000	JET, MAIN, #100 (CARBURETOR NO.)	(1)	-	-	BE85G A	SXX
	99101-ZH8-1020	JET, MAIN, #102 (CARBURETOR NO.)	(1)	-	-	BE85G A	SXX
	99101-ZH8-1050	JET, MAIN, #105 (CARBURETOR NO.)	1	-	-	BE85G A	SXX
	99101-ZH8-0950	JET, MAIN, #95 (CARBURETOR NO.)	(1)	-	-	BE85G B	SXX
	99101-ZH8-0980	JET, MAIN, #98 (CARBURETOR NO.)	(1)	-	-	BE85G B	SXX
	99101-ZH8-1000	JET, MAIN, #100 (CARBURETOR NO.)	1	-	-	BE85G B	SXX
28	99204-ZE0-0400	JET SET, PILOT, #40	1	-	-	-	SXX
29	16576-891-000	HOLDER, CABLE	1	-	-	-	SXX
30	16594-883-010	HOLDER, WIRE	1	-	-	-	SXX
31	16615-ZE2-810	SPRING, RETURN	1	-	-	-	SXX
32	90605-230-000	CIRCLIP, 5MM	1	-	-	-	SXX
33	93500-04006-0H	SCREW, PAN, 4X6	1	-	-	-	SXX
34	93893-05016-00	SCREW-WASHER, 5X16	1	-	-	-	SXX
35	95002-02079	CLIP, TUBE (B7)	2	-	-	-	SXX
36	95005-35080-20	TUBE, 3.5X80(95005-35001-20M)	1	-	-	-	SXX



E-14-6

CARBURETOR(7)

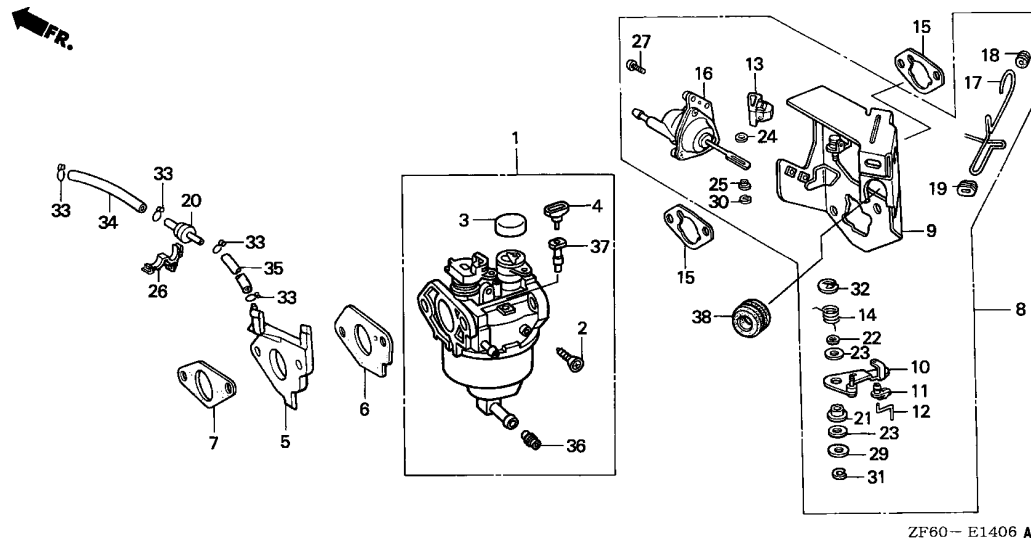
K 2



ZF60-E1406 A

Service item	F.R.T.
TUBE, 3.5X130	0.1
.TUBE, 3.5X220	
.VALVE, DASHPOT CHECK	
GROMMET, FENDER	0.2
.LEVER, CHOKE	
.PACKING, AIR CLEANER	
.ROD, CHOKE	
.ROD, CHOKE CONTROL	
.SPRING, MANUAL CHOKE	
CARBURETOR ASSY.	0.3
.DIAPHRAGM ASSY.	
.INSULATOR, CARBURETOR	
.PACKING, CARBURETOR	
.PACKING, INSULATOR	
.STAY ASSY., MANUAL CHOKE	
STAY COMP., SOLENOID	0.4

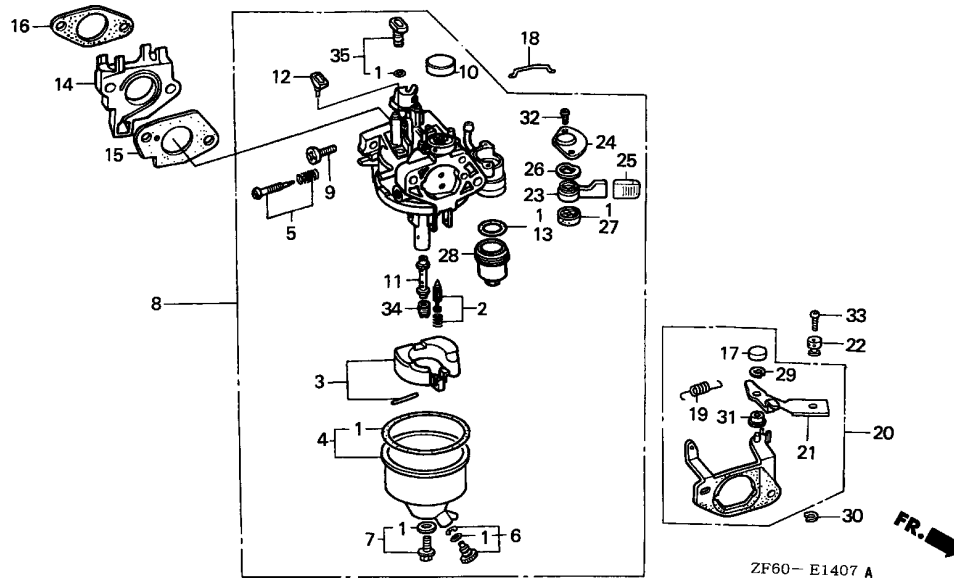
Ref. No.	Part No.	Description	Reqd. QTY			Serial No.	Parts catalogue code
			GX390K1				
			(1)	(2)	(3)		
1	16100-ZK6-V71	CARBURETOR ASSY. (BEL5B A) ..	-	-	1	-----	SXKP
2	16124-ZE0-005	SCREW, THROTTLE STOP	-	-	1	-----	SXKP
3	16148-141-881	CAP, CHOKE DUST	-	-	1	-----	SXKP
4	16172-ZE3-W10	COLLAR SET	-	-	1	-----	SXKP
5	16211-ZF6-D40	INSULATOR, CARBURETOR	-	-	1	-----	SXKP
6	16221-ZF6-800	PACKING, CARBURETOR	-	-	1	-----	SXKP
7	16223-ZE3-W00	PACKING, INSULATOR	-	-	1	-----	SXKP
8	16260-ZE2-722	STAY ASSY., MANUAL CHOKE	-	-	1	-----	SXKP
9	16261-ZE2-702	STAY COMP., SOLENOID	-	-	1	-----	SXKP
10	16262-ZE2-711	LEVER, CHOKE	-	-	1	-----	SXKP
11	16263-ZA0-000	JOINT, ROD	-	-	1	-----	SXKP
12	16264-ZE2-701	ROD, CHOKE	-	-	1	-----	SXKP
13	16265-ZE2-721	STOPPER, CHOKE ROD	-	-	1	-----	SXKP
14	16268-ZE2-721	SPRING, MANUAL CHOKE	-	-	1	-----	SXKP
15	16269-ZA0-800	PACKING, AIR CLEANER	-	-	2	-----	SXKP
16	16400-ZE2-703	DIAPHRAGM ASSY.	-	-	1	-----	SXKP
17	16611-ZE2-711	ROD, CHOKE CONTROL	-	-	1	-----	SXKP
18	16613-893-000	GROMMET, CHOKE ROD	-	-	1	-----	SXKP
19	16615-893-000	GUIDE, CHOKE ROD	-	-	1	-----	SXKP
20	36135-ZF6-D41	VALVE, DASHPOT CHECK	-	-	1	-----	SXKP
21	53149-964-003	BUSH, ARM PIVOT	-	-	1	-----	SXKP
22	90431-ZE2-700	WASHER, CHOKE LEVER	-	-	1	-----	SXKP
23	90432-ZE2-700	SEAL, CHOKE LEVER	-	-	2	-----	SXKP
24	90433-ZE2-700	WASHER, THRUST, 2.7X8	-	-	1	-----	SXKP
25	90434-ZE2-700	COLLAR, LEVER	-	-	1	-----	SXKP



ZF60--E1406 A

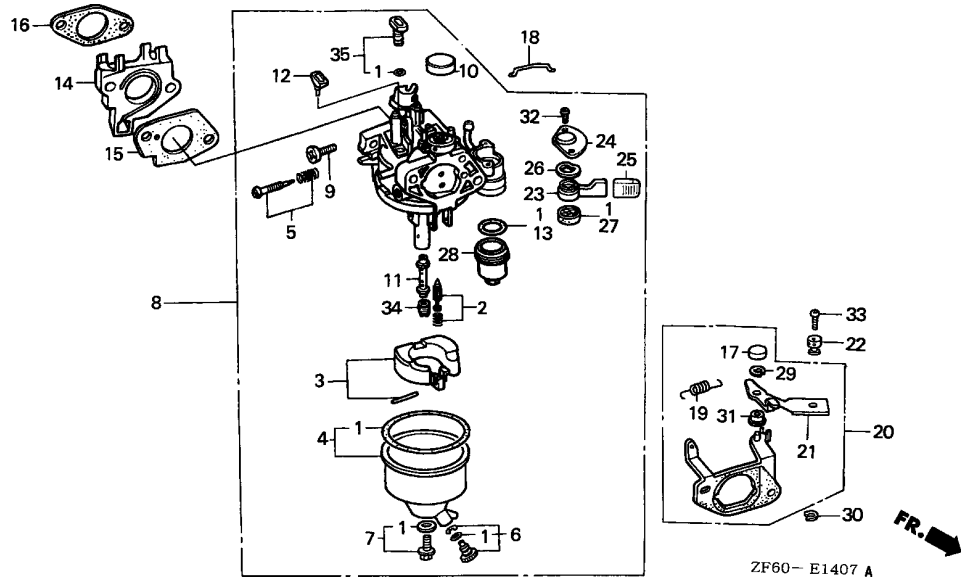
Ref. No.	Part No.	Description	Reqd. QTY			Serial No.	Parts catalogue code
			GX390K1				
			(1)	(2)	(3)		
26	90650-SD9-003	CLIP, WIRE HARNESS	-	-	1	-----	SXKP
27	93500-05012-0A	SCREW, PAN, 5X12	-	-	2	-----	SXKP
29	94103-05000	WASHER, PLAIN, 5MM	-	-	1	-----	SXKP
30	94540-02010	E-RING, 2MM	-	-	1	-----	SXKP
31	94540-04010	E-RING, 4MM	-	-	1	-----	SXKP
32	94540-07010	E-RING, 7MM	-	-	1	-----	SXKP
33	95002-02070	CLIP, TUBE (B7)	-	-	4	-----	SXKP
34	95005-35130-10	TUBE, 3.5X130(95005-35001-10M)	-	-	1	-----	SXKP
35	95005-35220-10	TUBE, 3.5X220(95005-35001-10M)	-	-	1	-----	SXKP
36	99101-ZK6-4000	JET, MAIN, #400	-	-	(1)	-----	SXKP
	99101-ZK6-4200	JET, MAIN, #420	-	-	(1)	-----	SXKP
	99101-ZK6-4400	JET, MAIN, #440	-	-	1	-----	SXKP
	99101-ZK6-4600	JET, MAIN, #460	-	-	(1)	-----	SXKP
	99101-ZK6-4800	JET, MAIN, #480	-	-	(1)	-----	SXKP
37	99104-ZE0-0450	JET, PILOT, #45	-	-	1	-----	SXKP
38	88911-MJ3-000	GROMMET, FENDER	-	-	1	-----	SXKP





Service item	F.R.T.
CARBURETOR ASSY.	0.2
.INSULATOR, CARBURETOR	
.PACKING, CARBURETOR	
.PACKING, FUEL COCK	
.PACKING, FUEL STRAINER CUP	
.PACKING, INSULATOR	
.ROD, CHOKE	
.SCREW SET	
.SPRING, THROTTLE RETURN	
.STAY ASSY., CHOKE CONTROL	
FLOAT SET	0.3
.GASKET SET	
.VALVE SET, FLOAT	

Ref. No.	Part No.	Description	Reqd. QTY			Serial No.	Parts catalogue code
			(1)	(2)	(3)		
1	16010-ZE2-A20	GASKET SET	1	-	-	LWD1	
2	16011-ZA0-931	VALVE SET, FLOAT	1	-	-	LWD1	
3	16013-ZA0-931	FLOAT SET	1	-	-	LWD1	
4	16015-ZE2-A20	CHAMBER SET, FLOAT	1	-	-	LWD1	
5	16016-ZF6-005	SCREW SET	1	-	-	LWD1	
6	16024-ZH7-A20	SCREW SET, DRAIN	1	-	-	LWD1	
7	16028-ZE0-005	SCREW SET	1	-	-	LWD1	
8	16100-ZF6-H01	CARBURETOR ASSY. (BE48C B) ..	1	-	-	LWD1	
9	16124-ZE0-005	SCREW, THROTTLE STOP	1	-	-	LWD1	
10	16148-141-881	CAP, CHOKE DUST	1	-	-	LWD1	
11	16166-ZF6-W20	NOZZLE, MAIN	1	-	-	LWD1	
12	16172-ZE3-W10	COLLAR SET	1	-	-	LWD1	
13	16173-001-004	PACKING, FUEL STRAINER CUP ..	1	-	-	LWD1	
14	16211-ZF6-000	INSULATOR, CARBURETOR	1	-	-	LWD1	
15	16221-ZF6-800	PACKING, CARBURETOR	1	-	-	LWD1	
16	16223-ZE3-W00	PACKING, INSULATOR	1	-	-	LWD1	
17	16252-ZA1-010	CAP, CHOKE LEVER	1	-	-	LWD1	
18	16264-ZE2-780	ROD, CHOKE	1	-	-	LWD1	
19	16562-896-000	SPRING, THROTTLE RETURN	1	-	-	LWD1	
20	16590-ZE2-772	STAY ASSY., CHOKE CONTROL ...	1	-	-	LWD1	
21	16610-ZE2-780	LEVER, CHOKE	1	-	-	LWD1	
22	16617-ZE3-H00	HOLDER, WIRE	1	-	-	LWD1	
23	16953-ZE1-712	LEVER, COCK	1	-	-	LWD1	
24	16954-ZE1-812	PLATE, LEVER SETTING	1	-	-	LWD1	
25	16955-ZE2-H21	CAP, LEVER	1	-	-	LWD1	



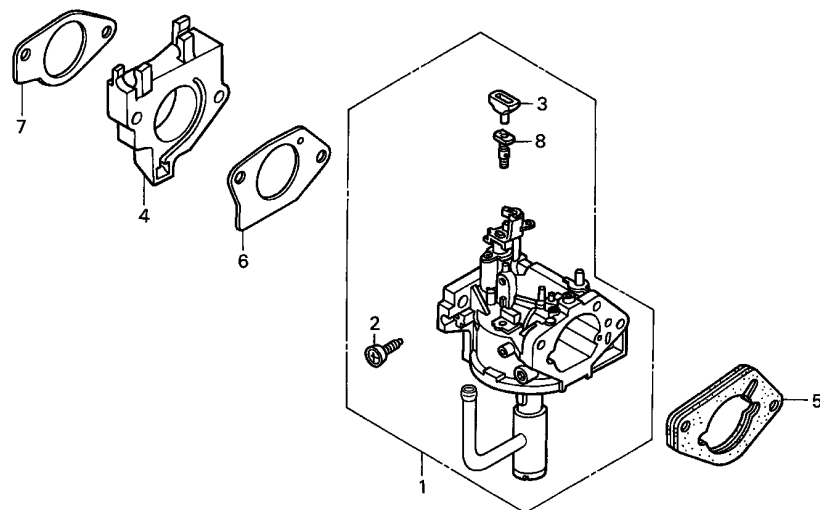
Ref. No.	Part No.	Description	Reqd. QTY			Serial No.	Parts catalogue code
			(1)	(2)	(3)		
26	16956-ZE1-811	SPRING, COCK LEVER	1	-	-	-----	LWD1
27	16957-ZE1-812	PACKING, FUEL COCK	1	-	-	-----	LWD1
28	16967-ZE0-811	CUP, FUEL STRAINER	1	-	-	-----	LWD1
29	38689-680-960	E-RING, 4MM	1	-	-	-----	LWD1
30	90605-230-000	CIRCLIP, 5MM	1	-	-	-----	LWD1
31	91502-ZA0-310	BUSH, CHOKE LEVER	1	-	-	-----	LWD1
32	93500-03006-1H	SCREW, PAN, 3X6	2	-	-	-----	LWD1
33	93500-04006-0H	SCREW, PAN, 4X6	1	-	-	-----	LWD1
34	99101-ZH8-1020	JET, MAIN, #102	(1)	-	-	-----	LWD1
	99101-ZH8-1050	JET, MAIN, #105	(1)	-	-	-----	LWD1
	99101-ZH8-1080	JET, MAIN, #108	1	-	-	-----	LWD1
35	99204-ZE2-0400	JET SET, PILOT, #40	1	-	-	-----	LWD1



E-14-8

CARBURETOR(9)

K 6



ZF60-E1408

Service item	F.R.T.
CARBURETOR ASSY.	0.2
.INSULATOR, CARBURETOR	
.PACKING, CARBURETOR	
.PACKING, INSULATOR	
.SPACER COMP., CARBURETOR	

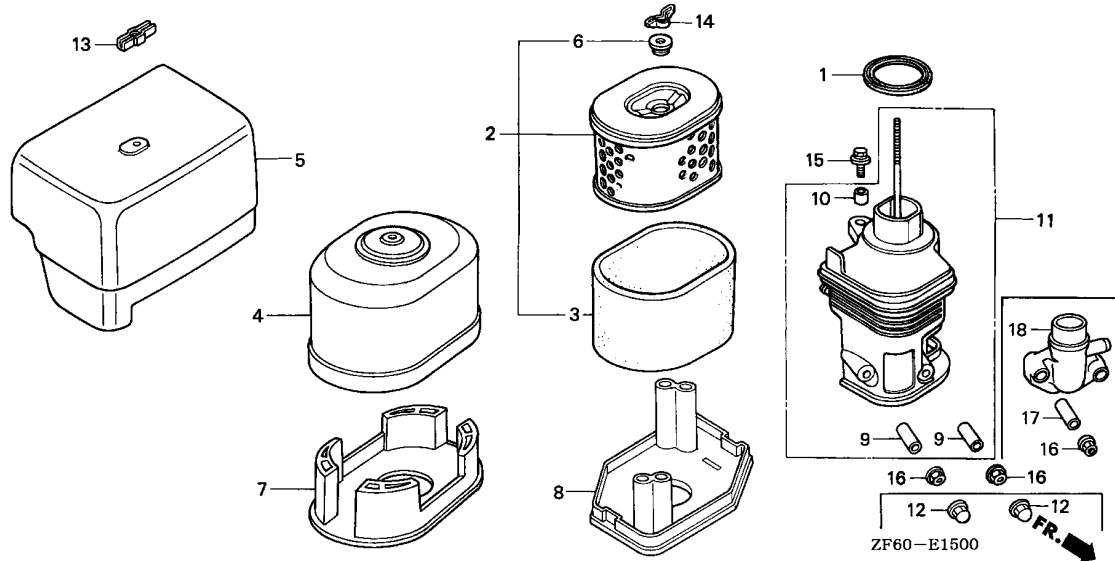
Ref. No.	Part No.	Description	Reqd. QTY			Serial No.	Parts catalogue code
			GX390K1				
			(1)	(2)	(3)		
1	16100-ZK6-801	CARBURETOR ASSY. (BEL5E E) ..	1	-	-	-----	SXK1
2	16124-ZE0-005	SCREW, THROTTLE STOP	1	-	-	-----	SXK1
3	16172-ZE3-W10	COLLAR SET	1	-	-	-----	SXK1
4	16211-ZF6-000	INSULATOR, CARBURETOR	1	-	-	-----	SXK1
5	16220-ZA0-702	SPACER COMP., CARBURETOR	1	-	-	-----	SXK1
6	16221-ZF6-800	PACKING, CARBURETOR	1	-	-	-----	SXK1
7	16223-ZE3-W00	PACKING, INSULATOR	1	-	-	-----	SXK1
8	99104-ZE9-0450	JET, PILOT, #45	1	-	-	-----	SXK1

2

E-15

AIR CLEANER(1)

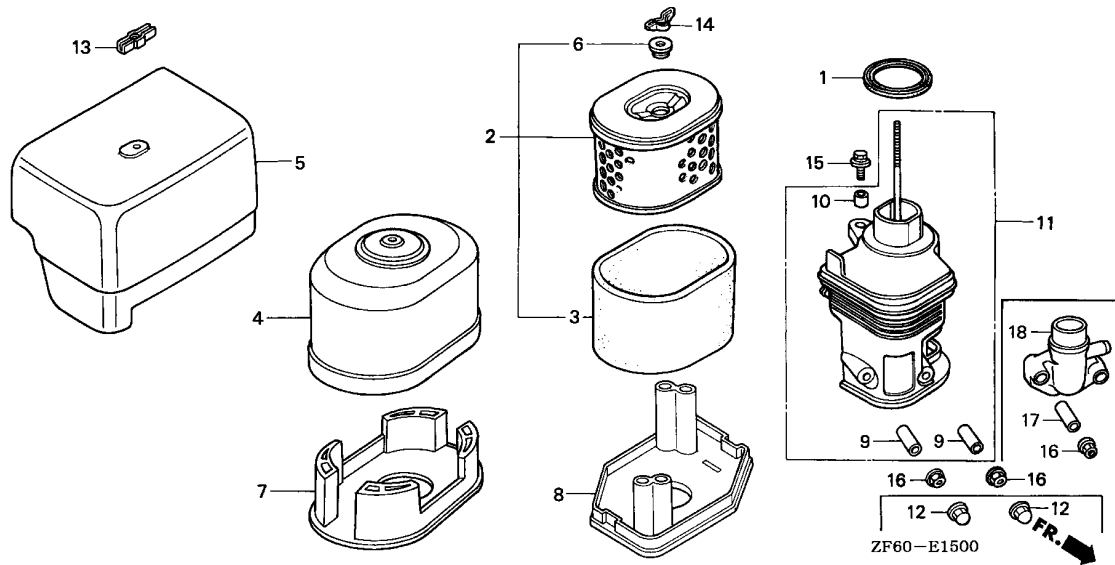
K 7



Service item	F.R.T.
ELBOW COMP., AIR CLEANER	0.1
.ELBOW COMP., AIR CLEANER	
.ELEMENT, AIR CLEANER	
.FILTER, OUTER	
.NOSE, SILENCER	

Ref. No.	Part No.	Description	Reqd. QTY GX390K1 (1) (2) (3)	Serial No.	Parts catalogue code
1	16271-ZE2-000	PACKING, ELBOW	1 - 1		BJ, ED8, ED9, ES1, HA, HAQ, HA2, HH, HJA, HJA2, HX, LH, LHB1, LHB3, LHE, LHP1, LJ, LJG, LKE, LMH, LTK, LX, LXE, LXE2, LXE4, LXE8, LXQ4, LXU, LXZ, LX2, PAE2, PA2, PX, PXE, PXE8, PXU, QA, QAE, QAE2, QAE6, QAP, QAQ, QAW, QA2, QA26, QE, QH, QHB3, QHE, QHP1, QH2, QKA2, QKA4, QKB2, QKE2, QK4, QME0, QMH, QMP, QND, QNE, QNE2, QNE6, QNE8, QNE9, QNK, QNR2, QNR6, QN18, QWA2, QX, QXB, QXB7, QXE, QXEB, QXE2, QXE4, QXE6, QXE7, QXE8, QXQ4, QXQ7, QXU, SCK4, SE, SH, SHB1, SHB3, SHE, SHEZ, SHQ4, SJ, SJG, SKA, SKAE, SMC1, SMD3, SME0, SME1, SME6, SMX, SM11, SM32, SN, SNT2, STC4, SWA4, SX, SXB, SXB7, SXC, SXE, SXEB, SXE4, SXE7, SXE8, SXX, SXX1, SXP, SXQ4, SXU, SX2, VA, VAAE, VAC2, VAG2, VAP, VA2, VCN2, VDB2, VDE1, VDE2, VD2, VE, VH, VHE, VJE2, VJ2, VKB2, VK2, VMA2, VME2, VMX, VM2, VNG1, VNG2, VN17, VN27, VSD, VSD7, VTE1, VTE5, VWA, VWA2, VWT4, VX, VXB, VXB7, VXE, VXEB, VXE2, VXE4, VXE6, VXE7, VXE8, VXF8, VXP, VXQP, VXQ4, VXTB, VXT1, VXU, VXU1, VX8, VJ
			1 - -	2143011	VAA
			1 - -	2299750	SHW
			- (1) -		

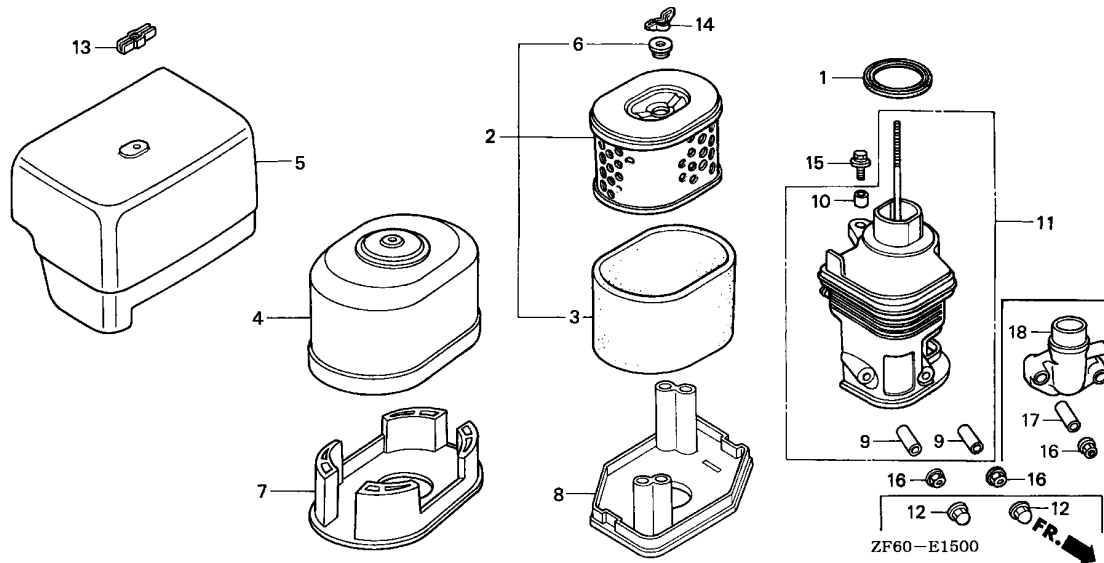
2



Ref. No.	Part No.	Description	Reqd. QTY			Serial No.	Parts catalogue code
			(1)	(2)	(3)		
2	17210-ZE3-010	ELEMENT, AIR CLEANER	1	-	1	-----	BJ, ED8, ED9, ES1, HA, HAQ, HA2, HH, HJA, HJA2, HX, LH, LHB1, LHB3, LHE, LHP1, LJ, LJG, LKE, LMH, LTK, LX, LXE, LXE2, LXE4, LXE8, LXQ4, LXU, LXZ, LX2, PAE2, PA2, PX, PXE, PXE8, PXU, QA, QAE, QAE2, QAE6, QAP, QAQ, QAW, QA2, QA26, QE, QH, QHB3, QHE, QHP1, QH2, QKA2, QKA4, QKB2, QKE2, QK4, QME0, QMH, QMP, QND, QNE, QNE2, QNE6, QNE8, QNE9, QNK, QNR2, QNR6, QN18, QWA2, QX, QXB, QXB7, QXE, QXEB, QXE2, QXE4, QXE6, QXE7, QXE8, QXQ4, QXQ7, QXU, SCK4, SE, SH, SHB1, SHB3, SHE, SHEZ, SHQ4, SJ, SJG, SKA, SKAE, SMC1, SMD3, SME0, SME1, SME6, SMX, SM11, SM32, SN, SNT2, STC4, SWA4, SX, SXB, SXB7, SXC, SXE, SXEB, SXE4, SXE7, SXE8, SXX, SXX1, SXP, SXQ4, SXU, SX2, VA, VAAE, VAC2, VAG2, VAP, VA2, VCN2, VDB2, VDE1, VDE2, VD2, VE, VH, VHE, VJE2, VJ2, VKB2, VK2, VMA2, VME2, VMX, VM2, VNG1, VNG2, VN17, VN27, VSD, VSD7, VTE1, VTE5, VWA, VWA2, VWT4, VX, VXB, VXB7, VXE, VXEB, VXE2, VXE4, VXE6, VXE7, VXE8, VXF8, VXP, VXQP, VXQ4, VXTB, VXT1, VXU, VXU1, VX8, YJ
			1	-	-	-----	2143011 VAA
			1	-	-	-----	2299750 SHW
			-	(1)	-	-----	

Ref. No.	Part No.	Description	Reqd. QTY			Serial No.	Parts catalogue code
			(1)	(2)	(3)		
3	17218-ZE3-000	FILTER, OUTER	1	-	1	-----	BJ, ED8, ED9, ES1, HA, HAQ, HA2, HH, HJA, HJA2, HX, LH, LHB1, LHB3, LHE, LHP1, LJ, LJG, LKE, LMH, LTK, LX, LXE, LXE2, LXE4, LXE8, LXQ4, LXU, LXZ, LX2, PAE2, PA2, PX, PXE, PXE8, PXU, QA, QAE, QAE2, QAE6, QAP, QAQ, QAW, QA2, QA26, QE, QH, QHB3, QHE, QHP1, QH2, QKA2, QKA4, QKB2, QKE2, QK4, QME0, QMH, QMP, QND, QNE, QNE2, QNE6, QNE8, QNE9, QNK, QNR2, QNR6, QN18, QWA2, QX, QXB, QXB7, QXE, QXEB, QXE2, QXE4, QXE6, QXE7, QXE8, QXQ4, QXQ7, QXU, SCK4, SE, SH, SHB1, SHB3, SHE, SHEZ, SHQ4, SJ, SJG, SKA, SKAE, SMC1, SMD3, SME0, SME1, SME6, SMX, SM11, SM32, SN, SNT2, STC4, SWA4, SX, SXB, SXB7, SXC, SXE, SXEB, SXE4, SXE7, SXE8, SXK, SXK1, SXP, SXQ4, SXU, SX2, VA, VAAE, VAC2, VAG2, VAP, VA2, VCN2, VDB2, VDE1, VDE2, VD2, VE, VH, VHE, VJE2, VJ2, VKB2, VK2, VMA2, VME2, VMX, VM2, VNG1, VNG2, VN17, VN27, VSD, VSD7, VTE1, VTE5, VWA, VWA2, VWT4, VX, VXB, VXB7, VXE, VXE6, VXE2, VXE4, VXE6, VXE7, VXE8, VXF8, VXP, VXQP, VXQ4, VXTB, VXT1, VXU, VXU1, VX8, YJ
			1	-	-	-----	2143011 VAA
			1	-	-	-----	2299750 SHW
			-	(1)	-	-----	
4	17230-ZE3-000	COVER, AIR CLEANER (STD.) ...	-	(1)	-	-----	
5	17231-ZE3-W01	COVER, AIR CLEANER	1	-	1	-----	BJ, ED8, ED9, ES1, HA, HAQ, HA2, HH, HJA, HJA2, HX, LH, LHB1, LHB3, LHE, LHP1, LJ, LJG, LKE, LMH, LTK, LX, LXE, LXE2, LXE4, LXE8, LXQ4, LXU, LXZ, LX2, PAE2, PA2, PX, PXE, PXE8, PXU, QA, QAE, QAE2, QAE6, QAP, QAQ, QAW, QA2, QA26, QE, QH, QHB3, QHE, QHP1, QH2, QKA2, QKA4, QKB2, QKE2, QK4, QME0, QMH, QMP, QND, QNE, QNE2, QNE6, QNE8, QNE9, QNK, QNR2, QNR6, QN18, QWA2, QX, QXB, QXB7, QXE, QXEB, QXE2, QXE4, QXE6, QXE7, QXE8, QXQ4, QXQ7, QXU, SCK4, SE, SH, SHB1, SHB3, SHE, SHEZ, SHQ4, SJ, SJG, SKA, SKAE, SMC1, SMD3, SME0, SME1, SME6, SMX, SM11, SM32, SN, SNT2, STC4, SWA4, SX, SXB, SXB7, SXC, SXE, SXEB, SXE4, SXE7, SXE8, SXK, SXK1, SXP, SXQ4, SXU, SX2, VA, VAAE, VAC2, VAG2, VAP, VA2, VCN2, VDB2, VDE1, VDE2, VD2, VE, VH, VHE, VJE2, VJ2, VKB2, VK2, VMA2, VME2, VMX, VM2, VNG1, VNG2, VN17, VN27, VSD, VSD7, VTE1, VTE5, VWA, VWA2, VWT4, VX, VXB, VXB7, VXE, VXE6, VXE2, VXE4, VXE6, VXE7, VXE8, VXF8, VXP, VXQP, VXQ4, VXTB, VXT1, VXU, VXU1, VX8, YJ
			1	-	-	-----	2143011 VAA
			1	-	-	-----	2299750 SHW
			-	(1)	-	-----	
6	17232-891-000	GROMMET, AIR CLEANER	1	-	1	-----	BJ, ED8, ED9, ES1, HA, HAQ, HA2, HH, HJA, HJA2, HX, LH, LHB1, LHB3, LHE, LHP1, LJ, LJG, LKE, LMH, LTK, LX, LXE, LXE2, LXE4, LXE8, LXQ4, LXU, LXZ, LX2, PAE2, PA2, PX, PXE, PXE8, PXU, QA, QAE, QAE2, QAE6, QAP, QAQ, QAW, QA2, QA26, QE, QH, QHB3, QHE, QHP1, QH2, QKA2, QKA4, QKB2, QKE2, QK4, QME0, QMH, QMP, QND, QNE, QNE2, QNE6, QNE8, QNE9, QNK, QNR2, QNR6, QN18, QWA2, QX, QXB, QXB7, QXE, QXEB, QXE2, QXE4, QXE6, QXE7, QXE8, QXQ4, QXQ7, QXU, SCK4, SE, SH, SHB1, SHB3, SHE, SHEZ, SHQ4, SJ, SJG, SKA, SKAE, SMC1, SMD3, SME0, SME1, SME6, SMX, SM11, SM32, SN, SNT2, STC4, SWA4, SX, SXB, SXB7, SXC, SXE, SXEB, SXE4, SXE7, SXE8, SXK, SXK1, SXP, SXQ4, SXU, SX2, VA, VAAE, VAC2, VAG2, VAP, VA2, VCN2, VDB2, VDE1, VDE2, VD2, VE, VH, VHE, VJE2, VJ2, VKB2, VK2, VMA2, VME2, VMX, VM2, VNG1, VNG2, VN17, VN27, VSD, VSD7, VTE1, VTE5, VWA, VWA2, VWT4, VX, VXB, VXB7, VXE, VXE6, VXE2, VXE4, VXE6, VXE7, VXE8, VXF8, VXP, VXQP, VXQ4, VXTB, VXT1, VXU, VXU1, VX8, YJ
			1	-	-	-----	2143011 VAA
			1	-	-	-----	2299750 SHW
			-	(1)	-	-----	
7	17235-ZE3-000	NOSE, SILENCER	-	(1)	-	-----	

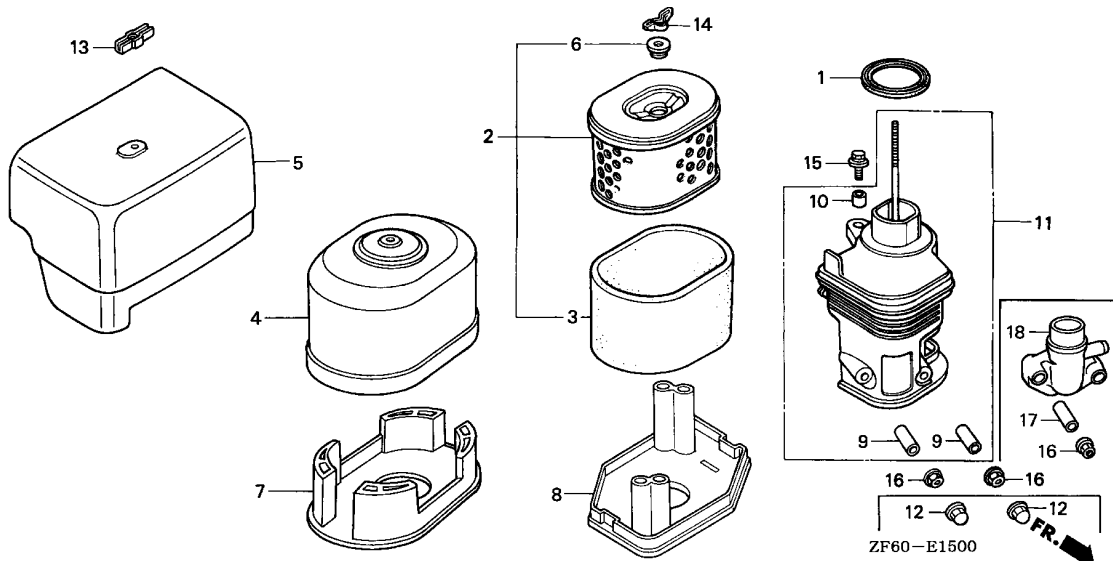




Ref. No.	Part No.	Description	Reqd. QTY			Serial No.	Parts catalogue code
			(1)	(2)	(3)		
8	17235-ZH9-N00	NOSE, SILENCER	1	-	1	-----	BJ, ED8, ED9, ES1, HA, HAQ, HA2, HH, HJA, HJA2, HX, LH, LHB1, LHB3, LHE, LHP1, LJ, LJG, LKE, LMH, LTK, LX, LXE, LXE2, LXE4, LXE8, LXQ4, LXU, LXZ, LX2, PAE2, PA2, PX, PXE, PXE8, PXU, QA, QAE, QAE2, QAE6, QAP, QAQ, QAW, QA2, QA26, QE, QH, QHB3, QHE, QHP1, QH2, QKA2, QKA4, QKB2, QKE2, QK4, QME0, QMH, QMP, QND, QNE, QNE2, QNE6, QNE8, QNE9, QNK, QNR2, QNR6, QN18, QWA2, QX, QXB, QXB7, QXE, QXEB, QXE2, QXE4, QXE6, QXE7, QXE8, QXQ4, QXQ7, QXU, SCK4, SE, SH, SHB1, SHB3, SHE, SHEZ, SHQ4, SJ, SJG, SKA, SKAE, SMC1, SMD3, SME0, SME1, SME6, SMX, SM11, SM32, SN, SNT2, STC4, SWA4, SX, SXB, SXB7, SXC, SXE, SXEB, SXE4, SXE7, SXE8, SXX, SXX1, SXP, SXQ4, SXU, SX2, VA, VAAE, VAC2, VAG2, VAP, VA2, VCN2, VDB2, VDE1, VDE2, VD2, VE, VH, VHE, VJE2, VJ2, VKB2, VK2, VMA2, VME2, VMX, VM2, VNG1, VNG2, VN17, VN27, VSD, VSD7, VTE1, VTE5, VWA, VWA2, VWT4, VX, VXB, VXB7, VXE, VXEB, VXE2, VXE4, VXE6, VXE7, VXE8, VXF8, VXP, VXQP, VXQ4, VXTB, VXT1, VXU, VXU1, VX8, YJ
			1	-	-	-----	2143011 VAA
			1	-	-	-----	2299750 SHW
			-	(1)	-	-----	

Ref. No.	Part No.	Description	Reqd. QTY			Serial No.	Parts catalogue code
			(1)	(2)	(3)		
9	17238-ZE2-310	COLLAR, AIR CLEANER	2	-	2	-----	BJ, ED8, ED9, ES1, HA, HAQ, HA2, HH, HJA, HJA2, HX, LH, LHB1, LHB3, LHE, LHP1, LJ, LJG, LKE, LMH, LTK, LX, LXE, LXE2, LXE4, LXE8, LXQ4, LXU, LXZ, LX2, PAE2, PA2, PX, PXE, PXE8, PXU, QA, QAE, QAE2, QAE6, QAP, QAQ, QAW, QA2, QA26, QE, QH, QHB3, QHE, QHP1, QH2, QKA2, QKA4, QKB2, QKE2, QK4, QME0, QMH, QMP, QND, QNE, QNE2, QNE6, QNE8, QNE9, QNK, QNR2, QNR6, QN18, QWA2, QX, QXB, QXB7, QXE, QXEB, QXE2, QXE4, QXE6, QXE7, QXE8, QXQ4, QXQ7, QXU, SCK4, SE, SH, SHB1, SHB3, SHE, SHEZ, SHQ4, SJ, SJG, SKA, SKAE, SMC1, SMD3, SME0, SME1, SME6, SMX, SM11, SM32, SN, SNT2, STC4, SWA4, SX, SXB, SXB7, SXC, SXE, SXEB, SXE4, SXE7, SXE8, SXK, SXK1, SXP, SXQ4, SXU, SX2, VA, VAAE, VAC2, VAG2, VAP, VA2, VCN2, VDB2, VDE1, VDE2, VD2, VE, VH, VHE, VJE2, VJ2, VKB2, VK2, VMA2, VME2, VMX, VM2, VNG1, VNG2, VN17, VN27, VSD, VSD7, VTE1, VTE5, VWA, VWA2, VMT4, VX, VXB, VXB7, VXE, VXE6, VXE2, VXE4, VXE6, VXE7, VXE8, VXF8, VXP, VXQP, VXQ4, VXTB, VXT1, VXU, VXU1, VX8, YJ
			2	-	-	-----	2143011 VAA
			2	-	-	-----	2299750 SHW
			-	(2)	-	-----	
10	17239-ZE1-000	COLLAR B, AIR CLEANER	1	-	1	-----	BJ, ED8, ED9, ES1, HA, HAQ, HA2, HH, HJA, HJA2, HX, LH, LHB1, LHB3, LHE, LHP1, LJ, LJG, LKE, LMH, LTK, LX, LXE, LXE2, LXE4, LXE8, LXQ4, LXU, LXZ, LX2, PAE2, PA2, PX, PXE, PXE8, PXU, QA, QAE, QAE2, QAE6, QAP, QAQ, QAW, QA2, QA26, QE, QH, QHB3, QHE, QHP1, QH2, QKA2, QKA4, QKB2, QKE2, QK4, QME0, QMH, QMP, QND, QNE, QNE2, QNE6, QNE8, QNE9, QNK, QNR2, QNR6, QN18, QWA2, QX, QXB, QXB7, QXE, QXEB, QXE2, QXE4, QXE6, QXE7, QXE8, QXQ4, QXQ7, QXU, SCK4, SE, SH, SHB1, SHB3, SHE, SHEZ, SHQ4, SJ, SJG, SKA, SKAE, SMC1, SMD3, SME0, SME1, SME6, SMX, SM11, SM32, SN, SNT2, STC4, SWA4, SX, SXB, SXB7, SXC, SXE, SXEB, SXE4, SXE7, SXE8, SXK, SXK1, SXP, SXQ4, SXU, SX2, VA, VAAE, VAC2, VAG2, VAP, VA2, VCN2, VDB2, VDE1, VDE2, VD2, VE, VH, VHE, VJE2, VJ2, VKB2, VK2, VMA2, VME2, VMX, VM2, VNG1, VNG2, VN17, VN27, VSD, VSD7, VTE1, VTE5, VWA, VWA2, VMT4, VX, VXB, VXB7, VXE, VXE6, VXE2, VXE4, VXE6, VXE7, VXE8, VXF8, VXP, VXQP, VXQ4, VXTB, VXT1, VXU, VXU1, VX8, YJ
			1	-	-	-----	2143011 VAA
			1	-	-	-----	2299750 SHW
			-	(1)	-	-----	
11	17410-ZE3-010 17410-ZH9-N00	ELBOW COMP., AIR CLEANER	-	(1)	-	-----	Q1, V1
			1	-	1	-----	BJ, ED8, ED9, ES1, HA, HAQ, HA2, HH, HJA, HJA2, HX, LH, LHB1, LHB3, LHE, LHP1, LJ, LJG, LKE, LMH, LTK, LX, LXE, LXE2, LXE4, LXE8, LXQ4, LXU, LXZ, LX2, PAE2, PA2, PX, PXE, PXE8, PXU, QA, QAE, QAE2, QAE6, QAP, QAQ, QAW, QA2, QA26, QE, QH, QHB3, QHE, QHP1, QH2, QKA2, QKA4, QKB2, QKE2, QK4, QME0, QMH, QMP, QND, QNE, QNE2, QNE6, QNE8, QNE9, QNK, QNR2, QNR6, QN18, QWA2, QX, QXB, QXB7, QXE, QXEB, QXE2, QXE4, QXE6, QXE7, QXE8, QXQ4, QXQ7, QXU, SCK4, SE, SH, SHB1, SHB3, SHE, SHEZ, SHQ4, SJ, SJG, SKA, SKAE, SMC1, SMD3, SME0, SME1, SME6, SMX, SM11, SM32, SN, SNT2, STC4, SWA4, SX, SXB, SXB7, SXC, SXE, SXEB, SXE4, SXE7, SXE8, SXK, SXK1, SXP, SXQ4, SXU, SX2, VA, VAAE, VAC2, VAG2, VAP, VA2, VCN2, VDB2, VDE1, VDE2, VD2, VE, VH, VHE, VJE2, VJ2, VKB2, VK2, VMA2, VME2, VMX, VM2, VNG1, VNG2, VN17, VN27, VSD, VSD7, VTE1, VTE5, VWA, VWA2, VMT4, VX, VXB, VXB7, VXE, VXE6, VXE2, VXE4, VXE6, VXE7, VXE8, VXF8, VXP, VXQP, VXQ4, VXTB, VXT1, VXU, VXU1, VX8, YJ
			1	-	-	-----	2143011 VAA
			1	-	-	-----	2299750 SHW
			-	(1)	-	-----	
12	90201-415-000	NUT, CAP, 6MM	2	-	-	-----	ES1, HH, HX, LH, LHE, LX, LXE, LXE8, LXU, LXZ, PX, PXU, QE, QH, QX, QXB, QXE, QXEB, QXE8, QXU, SE, SH, SHE, SHEZ, SN, SX, SXB, SXE, SXEB, SXE8, SXP, SXU, VAA, VAAE, VE, VH, VHE, VNG1, VNG2, VSD, VWA, VX, VXB, VXE
			2	-	-	-----	2066080 HA, HAQ, HJA, QA, QAE, QAQ, QNE, QNE9, VA, VXE
			2	-	-	-----	2066749 BJ, LJ, SJ, YJ
			2	-	-	-----	2446746 QHE
			-	2	-	-----	2066080





Ref. No.	Part No.	Description	Reqd. QTY GX390K1 (1) (2) (3)	Serial No.	Parts catalogue code
13	90203-PB2-000	NUT, AIR CLEANER COVER (DACRO COATING)	1 - - 1 - -	----- 2042138	SHEZ BJ, HA, HH, HX, LH, LHE, LJ, LX, LXE, LXZ, PX, QA, QAE, QE, QH, QHE, QNE, QX, QXB QXE, QXEB, SE, SH, SHE, SJ, SX, SXB, SXE, SXEB, SXP, VA, VAA, VAAE, VE, VH, VHE VNG1, VSD, VX, VXB, VXE, VXEB, YJ
	90203-ZA0-800	NUT, WING, 6MM(BLACK)	- (1) - 1 - 1	----- 2042138	ED8, ES1, HAQ, HA2, HJA, LXE2, PAE2, PA2, QAE2, QAE6, QAP, QAQ, QAW, QA2, QA26 QH2, QKA2, QKB2, QKE2, QNE2, QNE6, QNE9, QNK, QNR6, QWA2, QXE2, QXE6, SM32, SN VA2, VCN2, VDB2, VDE1, VD2, VJE2, VJ2, VKB2, VK2, VMA2, VME2, VMX, VM2, VNG2 VWA, VXE2, VXE6, VXU, VXU1
			1 - -	2042139	BJ, HA, HH, HX, LH, LHE, LJ, LX, LXE, LXZ, PX, QA, QAE, QE, QH, QHE, QNE, QX, QXB QXE, QXEB, SE, SH, SHE, SJ, SX, SXB, SXE, SXEB, SXP, VA, VAA, VAAE, VE, VH, VHE VNG1, VSD, VX, VXB, VXE, VXEB, YJ
14	90325-044-000	NUT, TOOL BOX SETTING	- (1) - 1 - 1	----- 2042139	BJ, ED8, ED9, ES1, HA, HAQ, HA2, HH, HJA, HJA2, HX, LH, LHB1, LHB3, LHE, LHP1, LJ LJG, LKE, LMH, LTK, LX, LXE, LXE2, LXE4, LXE8, LXQ4, LXU, LXZ, LX2, PAE2, PA2 PX, PXE, PXE8, PXU, QA, QAE, QAE2, QAE6, QAP, QAQ, QAW, QA2, QA26, QE, QH, QHB3 QHE, QHP1, QH2, QKA2, QKA4, QKB2, QKE2, QK4, QME0, QMH, QMP, QND, QNE, QNE2 QNE6, QNE8, QNE9, QNK, QNR2, QNR6, QN18, QWA2, QX, QXB, QXB7, QXE, QXEB, QXE2 QXE4, QXE6, QXE7, QXE8, QXQ4, QXQ7, QXU, SCK4, SE, SH, SHB1, SHB3, SHE, SHEZ SHQ4, SHW, SJ, SJG, SKA, SKAE, SMC1, SMD3, SME0, SME1, SME6, SMX, SM11, SM32 SN, SNT2, STC4, SWA4, SX, SXB, SXB7, SXC, SXE, SXEB, SXE4, SXE7, SXE8, SXX SXX1, SXP, SXQ4, SXU, SX2, VA, VAA, VAAE, VAC2, VAG2, VAP, VA2, VCN2, VDB2 VDE1, VDE2, VD2, VE, VH, VHE, VJE2, VJ2, VKB2, VK2, VMA2, VME2, VMX, VM2, VNG1 VNG2, VN17, VN27, VSD, VSD7, VTE1, VTE5, VWA, VWA2, VWT4, VX, VXB, VXB7, VXE VXEB, VXE2, VXE4, VXE6, VXE7, VXE8, VXF8, VXP, VXQP, VXQ4, VXTB, VXT1, VXU VXU1, VX8, YJ
			- (1) -		



E-15

AIR CLEANER(1)

K13

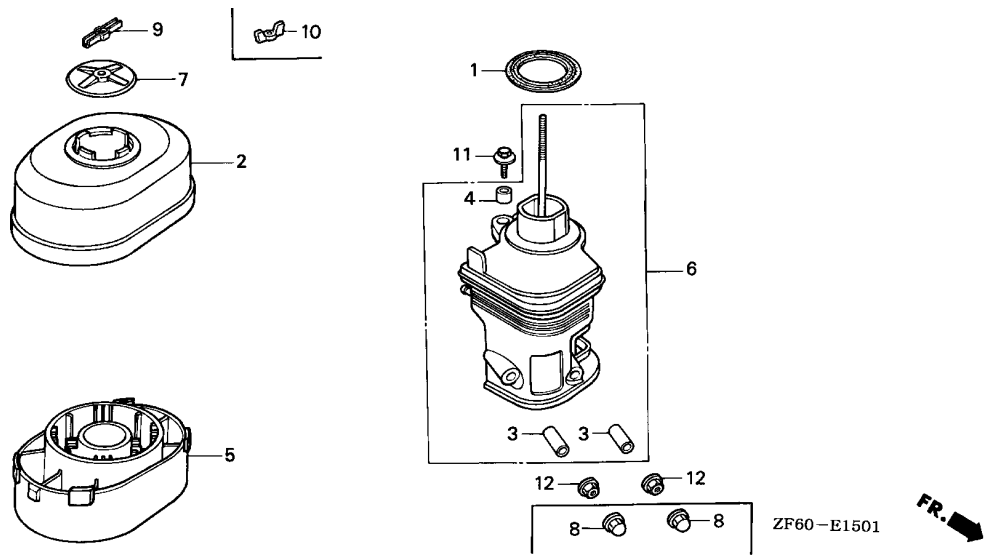
Ref. No.	Part No.	Description	Reqd. QTY			Serial No.	Parts catalogue code
			GX390K1 (1)	(2)	(3)		
15	93404-06020-08	BOLT-WASHER, 6X20	1	1	-	-----	ES1,HA,HAQ,HJA,LHB1,LMH,PXE,QAQ,QHE,QH2,QKA2,QKE2,QN18,QXE2,SKA SMX,SNT2,SX2,VDE1,VMX,VWA,V1
	93494-06020-08	1	-	-	-----	2299750 SHW
	93494-06020-08	1	1	-	-----	BJ,HH,HX,LH,LHE,LJ,LX,LXE,LXE8,LXU,LXZ,L1,PX,PXU,QA,QAE,QE,QH,QNE QX,QXB,QXE,QXEB,QXE8,QXU,Q1,SE,SH,SHE,SHEZ,SJ,SX,SXB,SXE,SXEB SXE8,SXP,SXU,S1,VA,VAAE,VE,VH,VHE,VNG1,VX,VXB,VXEB,YJ
	90009-ZE2-003	BOLT-WASHER, 6X22	1	-	-	-----	2143011 VAA
	90009-ZE2-003	BOLT-WASHER, 6X22	1	-	1	-----	ED8,ED9,HA2,HJA2,LHB3,LHP1,LJG,LKE,LTK,LXE2,LXE4,LXQ4,LX2,PAE2 PA2,PXE8,QAE2,QAE6,QAP,QAW,QA2,QA26,QHB3,QHE,QHP1,QKA4,QKB2,QK4 QMEO,QMH,QMP,QND,QNE2,QNE6,QNE8,QNE9,QNK,QNR2,QNR6,QWA2,QXB7,QXC4 QXE4,QXE6,QXE7,QXQ4,QXQ7,SCK4,SHB1,SHB3,SHQ4,SJG,SKAE,SMC1,SMD3 SME0,SME1,SME6,SM11,SM32,SN,STC4,SWA4,SXB7,SXC,SXE4,SXE7,SXK,SXK1 SXQ4,VAC2,VAG2,VAP,VA2,VCN2,VDB2,VDE2,VD2,VJE2,VJ2,VKB2,VK2,VMA2 VME2,VM2,VNG2,VN17,VN27,VSD,VSD7,VTE1,VTE5,VWA2,VWT4,VXB7,VXE VXE2,VXE4,VXE6,VXE7,VXE8,VXFB,VXP,VXQP,VXQ4,VXTB,VXT1,VXU,VXU1 VX8
16	94050-06000	NUT, FLANGE, 6MM	2	-	2	-----	ED8,ED9,HA2,HJA2,LHB1,LHB3,LHP1,LJG,LKE,LMH,LTK,LXE2,LXE4,LXQ4 LX2,PAE2,PA2,PXE,PXE8,QAE2,QAE6,QAP,QAW,QA2,QA26,QHB3,QHP1,QH2 QKA2,QKA4,QKB2,QKE2,QK4,QMEO,QMH,QMP,QND,QNE2,QNE6,QNE8,QNK,QNR2 QNR6,QN18,QWA2,QXB7,QXE2,QXE4,QXE6,QXE7,QXQ4,QXQ7,SCK4,SHB1,SHB3 SHQ4,SHW,SJG,SKA,SKAE,SMC1,SMD3,SME0,SME1,SME6,SMX,SM11,SM32,SNT2 STC4,SWA4,SXB7,SXC,SXE4,SXE7,SXK,SXK1,SXQ4,SX2,VAC2,VAG2,VAP,VA2 VCN2,VDB2,VDE1,VDE2,VD2,VJE2,VJ2,VKB2,VK2,VMA2,VME2,VMX,VM2,VN17 VN27,VSD7,VTE1,VTE2,VTE5,VWA2,VWT4,VXB7,VXE2,VXE4,VXE6,VXE7,VXE8 VXFB,VXP,VXQP,VXQ4,VXTB,VXT1,VXU,VXU1,VX8
			2	-	-	2066081	----- HA,HAQ,HJA,QA,QAE,QAQ,QNE,QNE9,VA,VXE
			2	-	-	2066750	----- BJ,LJ,SJ,YJ
			2	-	-	2446747	----- QHE
			-	2	-	2066081	-----
17	17238-ZE7-010	COLLAR, AIR CLEANER	2	-	-	2299751	----- SHW
18	17410-ZA0-701	ELBOW COMP., AIR CLEANER	1	-	-	2299751	----- SHW

2

E-15-1

AIR CLEANER(2)

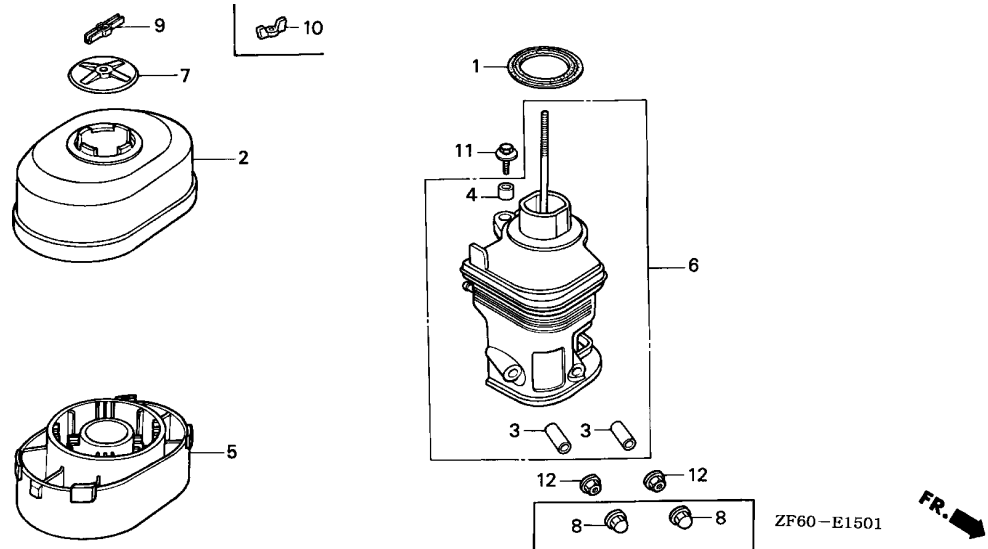
K14



Service item	F.R.T.
ELBOW COMP., AIR CLEANER 0.1
.PAN, CLEANER OIL	

Ref. No.	Part No.	Description	Reqd. QTY			Serial No.	Parts catalogue code
			(1)	(2)	(3)		
1	16271-ZE2-000	PACKING, ELBOW	1	-	-	LHW,LT,LTK1,QP,QT,SWE,SWX	
2	17230-ZE3-811	COVER COMP., AIR CLEANER (OIL BATH)	1	-	-	LHW,LT,LTK1,QP,QT,SWE,SWX	
3	17238-ZE2-310	COLLAR, AIR CLEANER	2	-	-	LHW,LT,LTK1,QP,QT,SWE,SWX	
4	17239-ZE1-000	COLLAR B, AIR CLEANER	1	-	-	LHW,LT,LTK1,QP,QT,SWE,SWX	
5	17402-ZE3-810	PAN, CLEANER OIL (OIL BATH) -	1	-	-	LHW,LT,LTK1,QP,QT,SWE,SWX	
6	17410-ZE3-010	ELBOW COMP., AIR CLEANER	1	-	-	LHW,LT,LTK1,QP,QT,SWE,SWX	
7	17420-ZE3-810	CAP COMP., AIR CLEANER	1	-	-	LHW,LT,LTK1,QP,QT,SWE,SWX	
8	90201-415-000	NUT, CAP, 6MM	2	2	-	2066080 L1,QP,QT,SWE,SWX,S1 2066749 Q1,V1	
9	90203-PB2-000	NUT, AIR CLEANER COVER (DACRO COATING)	1	-	-	2042138 QP,QT,SWE,SWX 2042138	
	90203-ZA0-800	NUT, WING, 6MM(BLACK)	1	-	-	LTK1	
			1	-	-	2042139 2125884 QP,QT,SWE,SWX 2042139 2125884	
10	90325-044-000	NUT, TOOL BOX SETTING	1	-	-	LHW,LT	
			1	-	-	2125885	
			-	(1)	-	2125885	
11	93404-06020-08	BOLT-WASHER, 6X20	1	1	-	QP,V1	

2

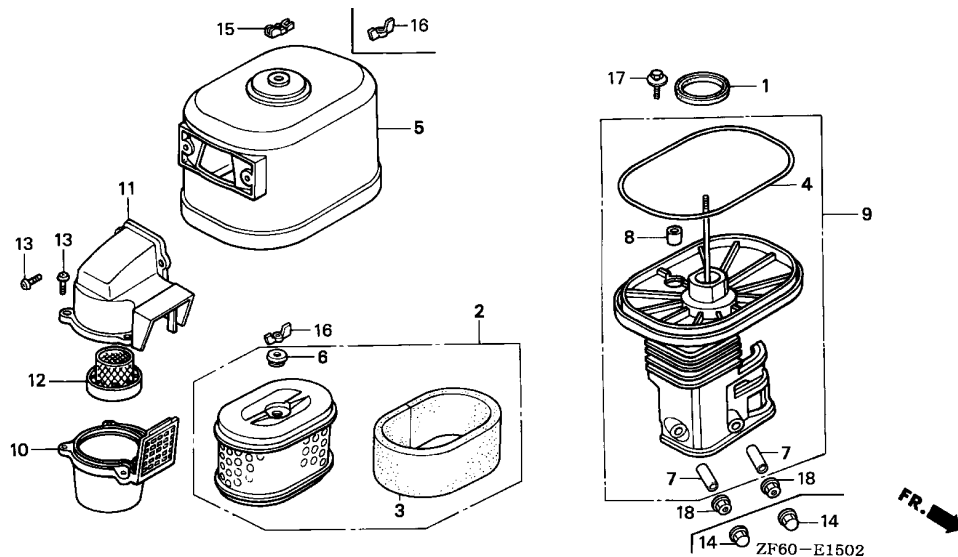


Ref. No.	Part No.	Description	Reqd. QTY			Serial No.	Parts catalogue code
			GX390K1				
			(1)	(2)	(3)		
11)	93494-06020-08	BOLT-WASHER, 6X20	1	1	-	-----	L1,QT,Q1,SWX,S1
	90009-ZE2-003	BOLT-WASHER, 6X22	1	-	-	-----	LHW,LT,LTK1,SWE
12	94050-06000	NUT, FLANGE, 6MM	2	-	-	-----	LHW,LT
			2	-	-	2066081	QP,QT,SWE,SWX
			-	2	-	2066081	
			2	-	-	-----	LTK1
			-	2	-	2066750	Q1,V1

E-15-2

AIR CLEANER(3)

K16



Service item	F.R.T.
CAP, PRE AIR CLEANER	0.1
.ELBOW COMP., AIR CLEANER	
.ELEMENT, AIR CLEANER	
.FILTER, OUTER	
.GUIDE, PRE AIR CLEANER	
.PACKING, AIR CLEANER COVER	

Ref. No.	Part No.	Description	Reqd. QTY			Serial No.	Parts catalogue code
			GX390K1	(1)	(2)		
1	16271-ZE2-000	PACKING, ELBOW	1	-	-	-----	LHC,LWD,QDW9,QHC,QME1,QWA4,QWC4,QWH2,QWT2,QXC,QXC4,QXC6,QXC9,QXS4 SNC,SNC9
2	17210-ZE3-010	ELEMENT, AIR CLEANER	-	(1)	-	-----	LHC,LWD,QDW9,QHC,QME1,QWA4,QWC4,QWH2,QWT2,QXC,QXC4,QXC6,QXC9,QXS4 SNC,SNC9
3	17218-ZE3-000	FILTER, OUTER	-	(1)	-	-----	LHC,LWD,QDW9,QHC,QME1,QWA4,QWC4,QWH2,QWT2,QXC,QXC4,QXC6,QXC9,QXS4 SNC,SNC9
4	17219-ZE3-840	PACKING, AIR CLEANER COVER ..	-	(1)	-	-----	LHC,LWD,QDW9,QHC,QME1,QWA4,QWC4,QWH2,QWT2,QXC,QXC4,QXC6,QXC9,QXS4 SNC,SNC9
5	17230-ZE3-841	COVER COMP., AIR CLEANER (CYCLONE)	1	-	-	-----	LHC,LWD,QDW9,QHC,QME1,QWA4,QWC4,QWH2,QWT2,QXC,QXC4,QXC6,QXC9,QXS4 SNC,SNC9
6	17232-891-000	GROMMET, AIR CLEANER	1	-	-	-----	LHC,LWD,QDW9,QHC,QME1,QWA4,QWC4,QWH2,QWT2,QXC,QXC4,QXC6,QXC9,QXS4 SNC,SNC9
7	17238-ZE2-310	COLLAR, AIR CLEANER	-	(1)	-	-----	LHC,LWD,QDW9,QHC,QME1,QWA4,QWC4,QWH2,QWT2,QXC,QXC4,QXC6,QXC9,QXS4 SNC,SNC9
8	17239-ZE3-840	COLLAR B, AIR CLEANER	-	(2)	-	-----	LHC,LWD,QDW9,QHC,QME1,QWA4,QWC4,QWH2,QWT2,QXC,QXC4,QXC6,QXC9,QXS4 SNC,SNC9
9	17410-ZE3-840	ELBOW COMP., AIR CLEANER	-	(1)	-	-----	LHC,LWD,QDW9,QHC,QME1,QWA4,QWC4,QWH2,QWT2,QXC,QXC4,QXC6,QXC9,QXS4 SNC,SNC9
			-	(1)	-	-----	

E-15-2

AIR CLEANER(3)

L 1

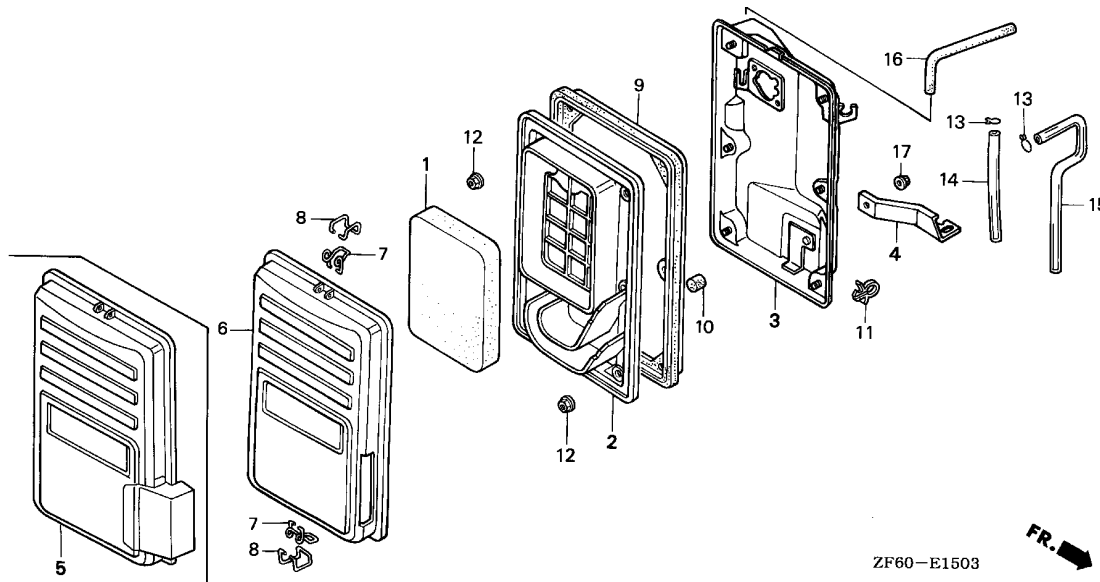
Ref. No.	Part No.	Description	Reqd. QTY			Serial No.	Parts catalogue code
			(1)	(2)	(3)		
10	17470-ZE3-841	CASE COMP., PRE AIR CLEANER	1	-	-	LHC,LWD,QDW9,QHC,QME1,QWA4,QWC4,QWH2,QWT2,QXC,QXC4,QXC6,QXC9,QXS4 SNC,SNC9	
			-	(1)	-		
11	17475-ZE3-841	CAP, PRE AIR CLEANER	1	-	-	LHC,LWD,QDW9,QHC,QME1,QWA4,QWC4,QWH2,QWT2,QXC,QXC4,QXC6,QXC9,QXS4 SNC,SNC9	
			-	(1)	-		
12	17476-ZE3-841	GUIDE, PRE AIR CLEANER	1	-	-	LHC,LWD,QDW9,QHC,QME1,QWA4,QWC4,QWH2,QWT2,QXC,QXC4,QXC6,QXC9,QXS4 SNC,SNC9	
			-	(1)	-		
13	90142-MB0-000	SCREW, PAN, 5X16.5	5	-	-	LHC,LWD,QDW9,QHC,QME1,QWA4,QWC4,QWH2,QWT2,QXC,QXC4,QXC6,QXC9,QXS4 SNC,SNC9	
			-	(5)	-		
14	90201-415-000	NUT, CAP, 6MM	2	2	-	2066080 LHC,L1,QHC,QXC,S1	
			2	2	-	2066749 LWD,Q1,V1	
			2	-	-	SNC	
15	90203-PB2-000	NUT, AIR CLEANER COVER (DACRO COATING)	1	-	-	2042138 LHC,LWD,QHC,QXC	
			-	(1)	-	2042138	
	90203-ZA0-800	NUT, WING, 6MM(BLACK)	1	-	-	2125884 SNC	
			1	-	-	2042139 2125884 LHC,LWD,QHC,QXC	
			-	(1)	-	2042139 2125884	
16	90325-044-000	NUT, TOOL BOX SETTING	1	-	-	2125884 LHC,LWD,QHC,QXC,SNC	
			2	-	-	QDW9,QWA4,QWC4,QWH2,QWT2,QXC9,QXS4	
			-	(1)	-	2125884	
			2	-	-	QME1,QWA4,QWC4,QXC4,QXC6,QXS4,SNC9	
			2	-	-	2125885 LHC,LWD,QHC,QXC,SNC	
			-	(2)	-	2125885	
17	93404-06020-08	BOLT-WASHER, 6X20	1	1	-	LWD,QXC4,SNC9,V1	
			1	1	-	LHC,L1,QHC,Q1,S1	
			1	-	-	QDW9,QME1,QWA4,QWC4,QWH2,QWT2,QXC,QXC6,QXC9,QXS4,SNC	
18	94050-06000	NUT, FLANGE, 6MM	2	2	-	2066081 LHC,L1,QHC,QXC,S1	
			2	2	-	2066750 LWD,Q1,V1	
			2	-	-	QDW9,QME1,QWA4,QWC4,QWH2,QWT2,QXC4,QXC6,QXC9,QXS4,SNC9	

2

E-15-3

AIR CLEANER(4)

L 2



Service item	F.R.T.
COVER COMP., AIR CLEANER	0.1
.ELEMENT, AIR CLEANER	
.SEAL, AIR CLEANER	
.SEPARATOR, AIR CLEANER	
CASE COMP., AIR CLEANER	0.2

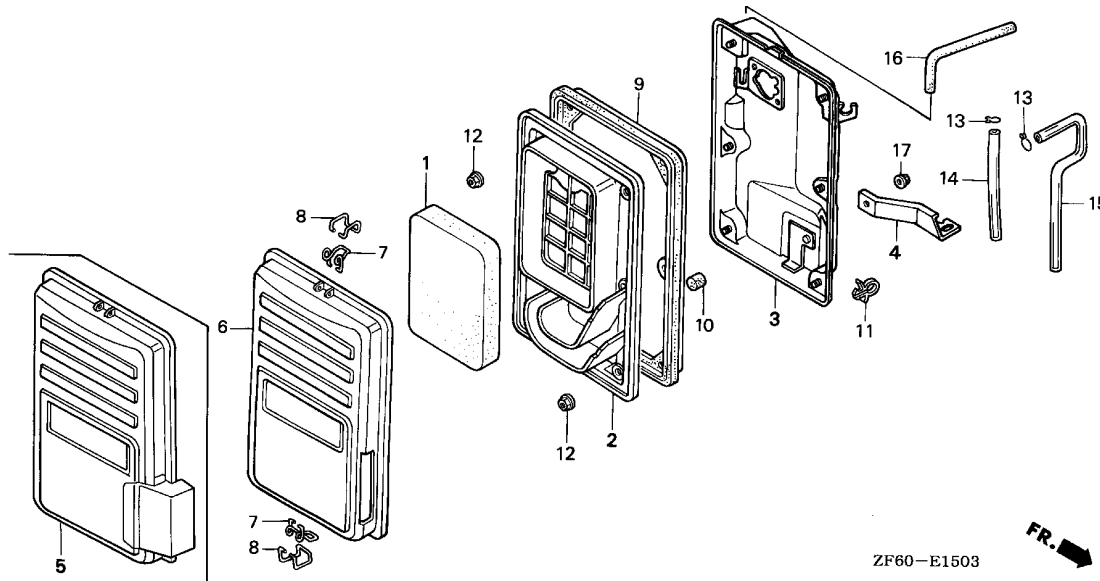
Ref. No.	Part No.	Description	Reqd. QTY			Serial No.	Parts catalogue code
			(1)	(2)	(3)		
1	17211-899-000	ELEMENT, AIR CLEANER	1	-	1	-----	EDD2,EDS,EDS1,EDS2,EDS3,EDS5,EDS6,EDS7,EDT1,EDT5,EDT6,ED6,EN6,ES3,ES4,ES5,EWS1,EWS3,EWS4,EWS5,SXKP,VAA1,VC2,VMT,VPE4,VPE7,VPX4,VPX7, VSB1,VSB3,VSD4,VTE2,VXEB
2	17212-ZB4-003	SEPARATOR, AIR CLEANER	1	-	1	2143012 -----	VAA
3	17220-ZB4-003	CASE COMP., AIR CLEANER	1	-	1	2143012 -----	EDD2,EDS,EDS1,EDS2,EDS3,EDS6,EDS7,EDT1,EDT5,EDT6,ED6,EN6,ES3,ES4,ES5,EWS1,EWS3,EWS4,EWS5,SXKP,VAA1,VC2,VMT,VPE4,VPE7,VPX4,VPX7, VSB1,VSB3,VSD4,VTE2,VXEB
	17220-ZB7-000	1	-	-	2143012 -----	VAA
4	17222-ZC2-000	STAY, AIR CLEANER	1	-	-	-----	EDS5
	17222-ZB8-000	1	-	-	-----	EDD2,EDS,EDS1,EDS2,EDS3,EDS6,EDS7,EDT1,EDT5,EDT6,ED6,EN6,ES3,ES4,ES5,EWS1,EWS3,EWS4,EWS5,VAA1,VC2,VMT,VPE4,VPE7,VPX4,VPX7, VSB1, VSB3,VSD4,VTE2
5	17231-ZB7-000	COVER COMP., AIR CLEANER	1	-	-	-----	VAA
	17231-ZB8-000	1	-	-	-----	EDS5
6	17231-899-000	COVER COMP., AIR CLEANER	1	-	1	-----	EDD2,EDS,EDS1,EDS2,EDS3,EDS6,EDS7,EDT1,EDT5,EDT6,ED6,EN6,ES3,ES4,ES5,EWS1,EWS3,EWS4,EWS5,SXKP,VAA1,VC2,VMT,VPE4,VPE7,VPX4,VPX7, VSB1,VSB3,VSD4,VTE2,VXEB
7	17235-899-000	CLIP A, AIR CLEANER WIRE	1	-	-	2143012 -----	VAA
			2	-	2	-----	EDD2,EDS,EDS1,EDS2,EDS3,EDS5,EDS6,EDS7,EDT1,EDT5,EDT6,ED6,EN6,ES3,ES4,ES5,EWS1,EWS3,EWS4,EWS5,SXKP,VAA1,VC2,VMT,VPE4,VPE7,VPX4,VPX7, VSB1,VSB3,VSD4,VTE2,VXEB
			2	-	-	2143012 -----	VAA

2

E-15-3

AIR CLEANER(4)

L 3



ZF60-E1503

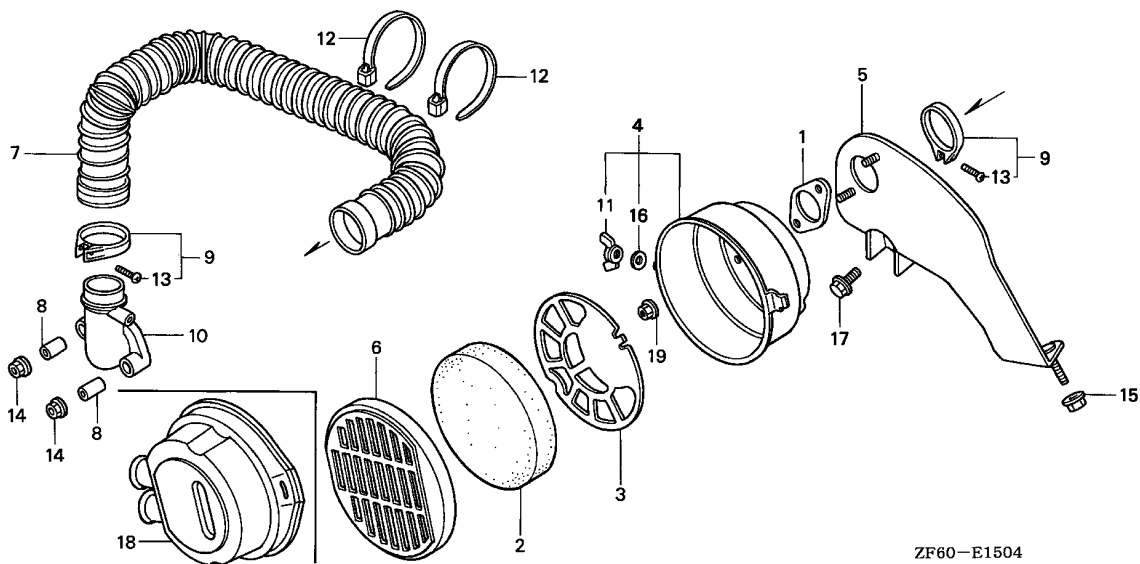
Ref. No.	Part No.	Description	Reqd. QTY			Serial No.	Parts catalogue code
			(1)	(2)	(3)		
8	17236-899-000	CLIP B, AIR CLEANER WIRE	2	-	2	-----	EDD2,EDS,EDS1,EDS2,EDS3,EDS5,EDS6,EDS7,EDT1,EDT5,EDT6,ED6,EN6,ES3,ES4,ES5,EWS1,EWS3,EWS4,EWS5,SXKP,VAA1,VC2,VMT,VPE4,VPE7,VPX4,VPX7, VSB1,VSB3,VSD4,VTE2,VXEB
9	17252-899-000	SEAL, AIR CLEANER	2	-	-	2143012	----- VAA
			1	-	1	-----	EDS,EDS1,EDS2,EDS3,EDS5,EDS6,EDS7,EDT1,EDT5,EDT6,ED6,EN6,ES3,ES4,ES5,EWS1,EWS3,EWS4,EWS5,SXKP,VAA1,VC2,VMT,VPE4,VPE7,VPX4,VPX7, VSB1,VSB3,VSD4,VTE2,VXEB
10	17367-413-690	FILTER, DRAIN TUBE	1	-	-	2143012	----- VAA
			1	-	1	-----	EDD2,EDS,EDS1,EDS2,EDS3,EDS5,EDS6,EDS7,EDT1,EDT5,EDT6,ED6,EN6,ES3,ES4,ES5,EWS1,EWS3,EWS4,EWS5,SXKP,VAA1,VC2,VMT,VPE4,VPE7,VPX4,VPX7, VSB1,VSB3,VSD4,VTE2,VXEB
			1	-	-	2143012	----- VAA
11	90624-SB0-003	CLIP, WIRE HARNESS	1	-	-	-----	EDS5
12	94050-05000	NUT, FLANGE, 5MM	6	-	6	-----	EDD2,EDS,EDS1,EDS2,EDS3,EDS5,EDS6,EDS7,EDT1,EDT5,EDT6,ED6,EN6,ES3,ES4,ES5,EWS1,EWS3,EWS4,EWS5,SXKP,VAA1,VC2,VMT,VPE4,VPE7,VPX4,VPX7, VSB1,VSB3,VSD4,VTE2,VXEB
			6	-	-	2143012	----- VAA
			2	-	-	-----	EDS5
13	95002-45000	CLIP, TUBE (C8)	1	-	-	-----	EDS5
14	95003-09023-31	TUBE, VINYL, 4.5X8X230 (95003-09001-60M)	1	-	-	-----	EDS5
15	95003-09038-31	TUBE, VINYL, 4.5X8X380 (95003-09001-60M)	1	-	-	-----	EDS5
16	15721-ZB4-000	TUBE, BREATHER	1	-	1	-----	EDD2,EDS1,EDS2,EDT1,EN6,SXKP
17	94050-06000	NUT, FLANGE, 6MM	1	-	-	-----	EDD2,EDS,EDS1,EDS2,EDS3,EDS5,EDS6,EDS7,EDT1,EDT5,EDT6,ED6,EN6,ES3,ES4,ES5,EWS1,EWS3,EWS4,EWS5,VAA1,VC2,VMT,VPE4,VPE7,VPX4,VPX7,VSB1, VSB3,VSD4,VTE2
			1	-	-	2143012	----- VAA

2

E-15-4

AIR CLEANER(5)

L 4



ZF60-E1504

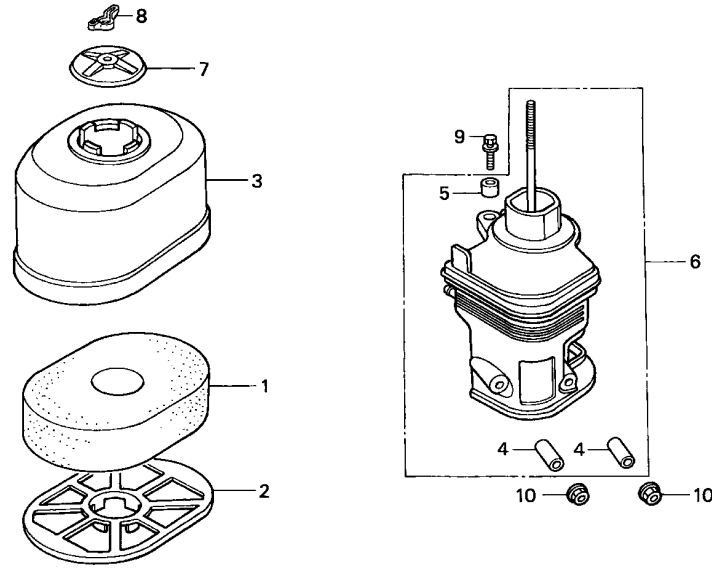
Service item	F.R.T.
CASE COMP., AIR CLEANER	0.1
.COVER COMP., AIR CLEANER	
.ELBOW COMP., AIR CLEANER	
.ELEMENT, AIR CLEANER	
.HOSE, AIR CLEANER	
.PACKING, AIR CLEANER	
STAY COMP., AIR CLEANER	0.2

Ref. No.	Part No.	Description	Reqd. QTY			Serial No.	Parts catalogue code
			(1)	(2)	(3)		
1	16269-890-800	PACKING, AIR CLEANER	1	-	-	2240894	ZK1
	16269-ZA0-800	1	-	-	2240895	ZK1
2	17211-883-010	ELEMENT, AIR CLEANER	1	-	-	2240894	ZK1
3	17212-ZE3-L60	GRID, AIR CLEANER	1	-	-	2240897	ZK1
4	17220-ZE3-L61	CASE COMP., AIR CLEANER	1	-	-		ZK1
5	17222-ZE3-L60	STAY COMP., AIR CLEANER	1	-	-		ZK1
6	17231-883-020	COVER, AIR CLEANER	1	-	-	2235160	ZK1
7	17237-ZE2-S00	HOSE, AIR CLEANER	1	-	-	2240894	ZK1
8	17238-ZE7-010	COLLAR, AIR CLEANER	2	-	-	2240894	ZK1
9	17255-ZA0-000	BAND, CONNECTING TUBE	2	-	-	2240894	ZK1
10	17410-ZA0-701	ELBOW COMP., AIR CLEANER	1	-	-	2240894	ZK1
11	90325-044-000	NUT, TOOL BOX SETTING	1	-	-	2240894	ZK1
12	90674-ZE3-L60	BAND, WIRE	2	-	-	2192261	2240894
13	93500-04016-0A	SCREW, PAN, 4X16	2	-	-		2240894
14	94050-06000	NUT, FLANGE, 6MM	2	-	-		2240894
15	94050-08000	NUT, FLANGE, 8MM	1	-	-		ZK1
16	94101-06000	WASHER, PLAIN, 6MM	1	-	-	2240894	ZK1
17	95701-08030-00	BOLT, FLANGE, 8X30	1	-	-		ZK1
18	17231-883-632	COVER COMP., AIR CLEANER	1	-	-	2235161	2240894
19	94050-06000	NUT, FLANGE, 6MM	2	-	-		ZK1

E-15-5

AIR CLEANER(6)

L 5



Service item	F.R.T.
ELBOW COMP., AIR CLEANER	0.1
.ELEMENT, AIR CLEANER	

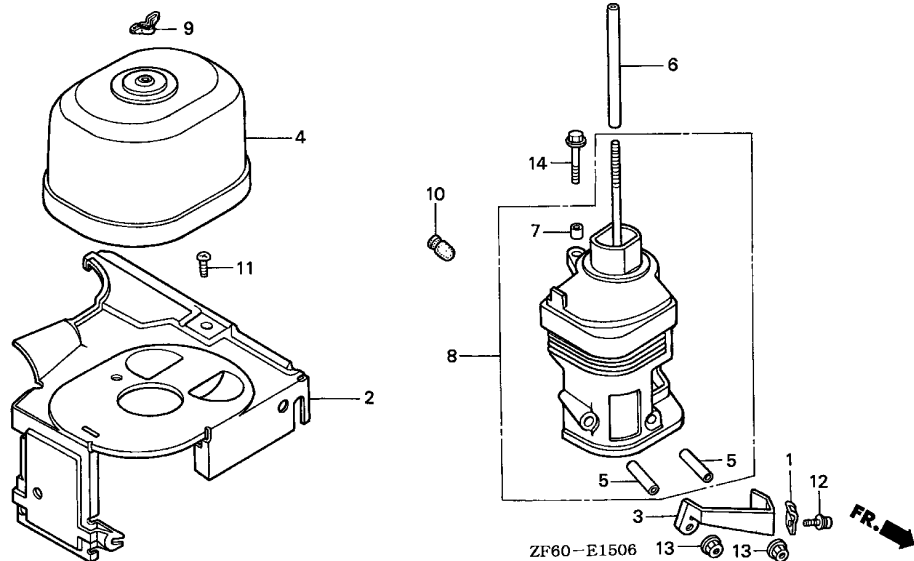
Ref. No.	Part No.	Description	Reqd. QTY			Serial No.	Parts catalogue code
			GX390K1				
			(1)	(2)	(3)		
1	17211-ZE2-000	ELEMENT, AIR CLEANER (SEMI DRY)	1	-	-	-----	LKF1
2	17212-ZE2-000	GRID, AIR CLEANER	1	-	-	-----	LKF1
3	17231-ZE2-000	COVER, AIR CLEANER (SEMI DRY)	1	-	-	-----	LKF1
4	17238-ZE2-310	COLLAR, AIR CLEANER	2	-	-	-----	LKF1
5	17239-ZE1-000	COLLAR B, AIR CLEANER	1	-	-	-----	LKF1
6	17410-ZE2-020	ELBOW COMP., AIR CLEANER	1	-	-	-----	LKF1
7	17420-ZE2-000	CAP COMP., AIR CLEANER	1	-	-	-----	LKF1
8	90325-044-000	NUT, TOOL BOX SETTING	1	-	-	-----	LKF1
9	90009-ZE2-003	BOLT-WASHER, 6X22	1	-	-	-----	LKF1
10	94050-06000	NUT, FLANGE, 6MM	2	-	-	-----	LKF1

2

E-15-6

AIR CLEANER(7)

L 6



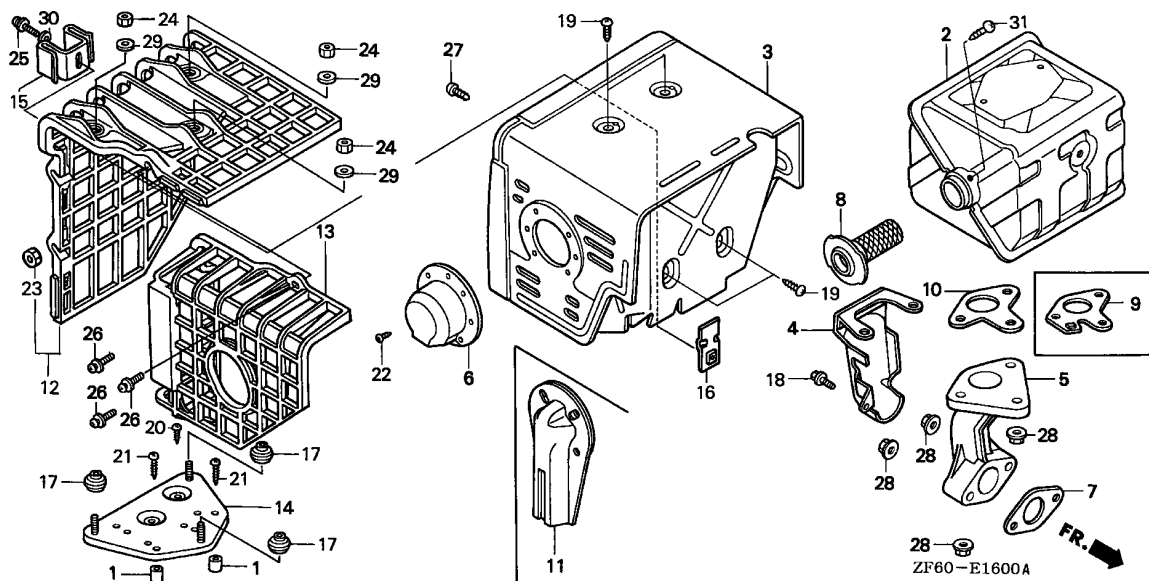
Service item	F.R.T.
COVER, CONTROL	0.1
.ELBOW COMP., AIR CLEANER	
.STAY COMP., WIRE HOLDER	

Ref. No.	Part No.	Description	Reqd. QTY			Serial No.	Parts catalogue code
			(1)	(2)	(3)		
1	16582-883-300	HOLDER, CONTROL CABLE	1	-	-	-----	LWD1
2	16591-ZF6-H00	COVER, CONTROL	1	-	-	-----	LWD1
3	16597-ZE2-780	STAY COMP., WIRE HOLDER	1	-	-	-----	LWD1
4	17230-ZE3-000	COVER, AIR CLEANER (STD.)	1	-	-	-----	LWD1
5	17238-ZE2-310	COLLAR, AIR CLEANER	2	-	-	-----	LWD1
6	17238-ZE3-H00	COLLAR, AIR CLEANER	1	-	-	-----	LWD1
7	17239-ZE1-000	COLLAR B, AIR CLEANER	1	-	-	-----	LWD1
8	17410-ZE3-010	ELBOW COMP., AIR CLEANER	1	-	-	-----	LWD1
9	90325-044-000	NUT, TOOL BOX SETTING	1	-	-	-----	LWD1
10	90899-422-610	PLUG, CONE TYPE	1	-	-	-----	LWD1
11	93500-06008-0G	SCREW, PAN, 6X8	1	-	-	-----	LWD1
12	93892-05016-00	SCREW-WASHER, 5X16	1	-	-	-----	LWD1
13	94050-06000	NUT, FLANGE, 6MM	2	-	-	-----	LWD1
14	95701-06035-08	BOLT, FLANGE, 6X35	1	-	-	-----	LWD1

2

E-16

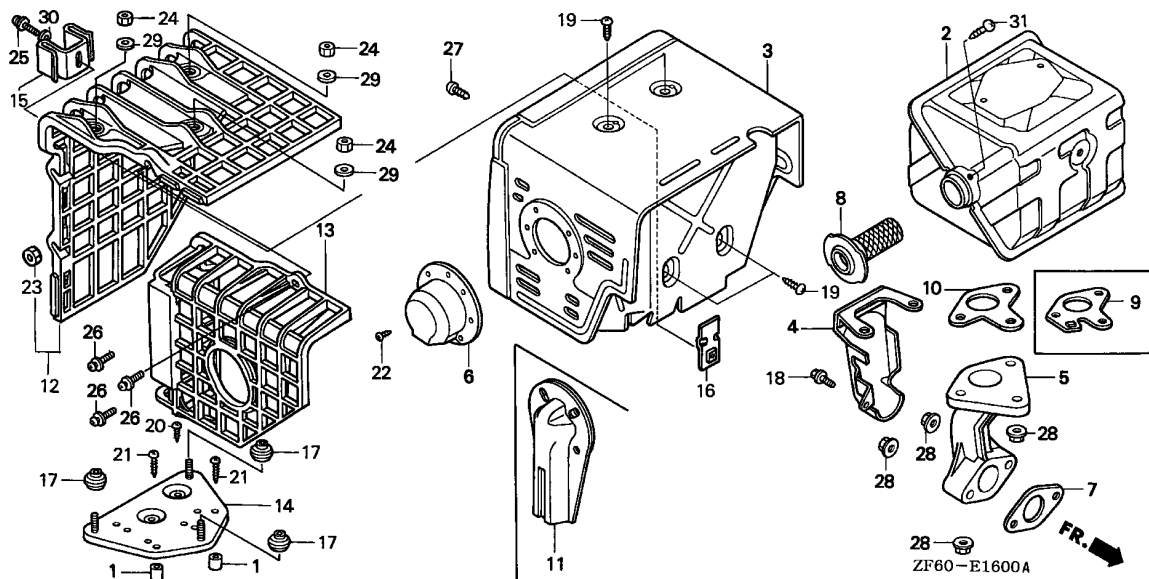
MUFFLER(1)



Service item	F.R.T.
COVER COMP., MUFFLER	0.1
.COVER COMP., RR. MUFFLER	
ARRESTER, SPARK	0.2
.BASE COMP., MUFFLER COVER	
.GASKET, EX. PIPE	
.GASKET, MUFFLER	
.MUFFLER COMP.	
.PIPE, EX.	
.PROTECTOR COMP., MUFFLER	

Ref. No.	Part No.	Description	Reqd. QTY GX390K1 (1) (2) (3)	Serial No.	Parts catalogue code
1	17233-896-701	COLLAR, AIR CLEANER CASE	(2) - (2)		LKE, LXE4, LXQ4, QE, QKA4, QK4, QMED, QME1, QWA4, QWC4, QXB, QXB7, QXC4, QXEB, QXE4, QXE7, QXQ4, QXQ7, SCK4, SHQ4, SKAE, SMC1, SMD3, SME0, SME6, SNC, STC4, SWA4, SXB, SXB7, SXEB, SXE4, SXE7, SXQ4, VMX, VNG1, VNG2, VN17, VN27, VPE4, VPE7, VPX4, VPX7, VSD, VSD7, VWT4, VXB, VXB7, VXEB, VXE4, VXE7, VXFVB, VXQP, VXQ4, VXTB
2	18310-ZE2-W61	MUFFLER COMP. (100DB)	1 - 1		BJ, ED8, ED9, ES1, HA, HAQ, HA2, HH, HJA, HJA2, HX, LH, LHB1, LHB3, LHC, LHE, LHP1, LJ, LJG, LKE, LKF1, LMH, LT, LTK, LTK1, LWD, LX, LXE, LXE2, LXE4, LXE8, LXQ4, LXU, LXZ, LX2, PAE2, PA2, PX, PXE, PXE8, PXU, QA, QAE, QAE2, QAE6, QAP, QAQ, QAW, QA2, QA26, QDW9, QE, QH, QHB3, QHC, QHE, QHP1, QH2, QKA2, QKA4, QKB2, QKE2, QK4, QMED, QME1, QMH, QMP, QND, QNE, QNE2, QNE6, QNE8, QNE9, QNK, QNR2, QNR6, QN18, QP, QT, QWA2, QWA4, QWC4, QWH2, QWT2, QX, QXB, QXB7, QXC, QXC6, QXC9, QXE, QXEB, QXE2, QXE4, QXE6, QXE7, QXE8, QXQ4, QXQ7, QXU, SCK4, SE, SH, SHB1, SHB3, SHE, SHEZ, SHQ4, SHW, SJ, SJG, SKA, SKAE, SMC1, SME0, SME1, SME6, SMX, SM11, SM32, SN, SNC9, SNT2, STC4, SWA4, SWE, SWX, SX, SXB, SXB7, SXC, SXE, SXEB, SXE4, SXE7, SXE8, SXP, SXQ4, SXU, SX2, VA, VAC2, VAG2, VAP, VA2, VCN2, VDB2, VDE1, VDE2, VD2, VE, VH, VHE, VJE2, VJ2, VKB2, VK2, VMA2, VME2, VMX, VM2, VNG1, VNG2, VN17, VN27, VPE4, VPE7, VPX4, VPX7, VSD, VSD7, VTE1, VTE5, VWA, VWA2, VX, VXB, VXB7, VXE, VXEB, VXE2, VXE4, VXE6, VXE7, VXE8, VXFVB, VXP, VXQP, VXQ4, VXTB, VXT1, VXU, VXU1, VX8, YJ
			1 - (1) -	2362177	QXC4, SMD3, SNC
3	18320-ZE2-W60	PROTECTOR COMP., MUFFLER	1 - -		SHEZ
			1 - -	2146173	BJ, ED8, ES1, HA, HAQ, HH, HJA, HX, LH, LHC, LHE, LJ, LJG, LWD, LX, LXE, LXZ, PX, QA, QAE, QAQ, QE, QH, QHC, QHE, QNE, QNE9, QP, QT, QX, QXC, QXE, SE, SH, SHE, SJ, SJG, SN, SNC, SWE, SWX, SX, SXE, SXP, VA, VDE1, VE, VH, VHE, VWA, VX, VXE, VXU, VXU1, YJ
	18320-ZF6-W00	PROTECTOR COMP., MUFFLER (100DB)	1 - -	2157140	QXB, QXEB, SXB, SXEB, VMX, VNG1, VNG2, VSD, VXB, VXEB

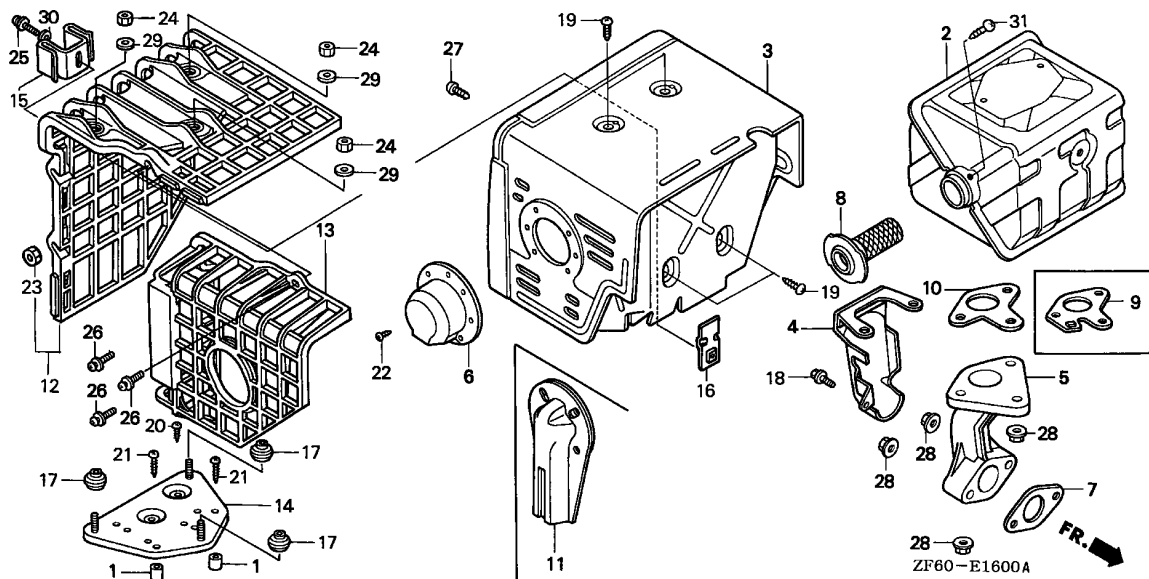




Ref. No.	Part No.	Description	Reqd. QTY			Serial No.	Parts catalogue code	
			(1)	(2)	(3)			
(3)	18320-ZE2-W61	PROTECTOR COMP., MUFFLER	1	-	1	-----	ED9,HA2,HJA2,LHB1,LHB3,LHP1,LKE,LKF1,LMH,LT,LTk,LTk1,LXE2,LXE4,LXE8,LXQ4,LXU,LX2,PAE2,PA2,PXE,PXE8,PXU,QAE2,QAE6,QAP,QAW,QA2,QA26,QDW9,QHB3,QHP1,QH2,QKA4,QKB2,QK4,QMEO,QME1,QMH,QMP,QND,QNE2,QNE6,QNE8,QNK,QNR2,QNR6,QN18,QWA2,QWA4,QWC4,QWH2,QWT2,QXC6,QXC9,QXE2,QXE4,QXE6,QXE8,QXQ4,QXQ7,QXU,SHB1,SHB3,SHQ4,SHW,SKA,SKAE,SMC1,SMEO,SME1,SME6,SMX,SM11,SM32,SNC9,SNT2,STC4,SWA4,SXC,SXE4,SXE8,SXQ4,SXU,SX2,VAC2,VAG2,VAP,VA2,VCN2,VDB2,VDE2,VD2,VJE2,VJ2,VKB2,VK2,VMA2,VME2,VM2,VTE1,VTE5,VWA2,VXE2,VXE4,VXE6,VXE8,VXP,VXQP,VXQ4,VXT1,VX8	
			1	-	-	2146174	-----	BJ,ED8,ES1,HA,HAQ,HH,HJA,HX,LH,LHC,LHE,LJ,LJG,LWD,LX,LXE,LXZ,PX,QA,QAE,QAQ,QE,QH,QHC,QHE,QNE,QNE9,QP,QT,QX,QXC,QXE,SE,SH,SHE,SJSJG,SN,SWE,SWX,SX,SXE,SXP,VA,VDE1,VE,VH,VHE,VWA,VX,VXE,VXU,VXU1,YJ
			1	-	-	2362177	-----	QXC4,SMD3
			1	-	-	2146174	-----	2362177 SNC
			-	(1)	-	2146174	-----	
	18320-ZF6-W01	PROTECTOR COMP., MUFFLER (100dB)	1	-	-	-----	-----	QKA2,QKE2,QXB7,QXE7,SCK4,SXB7,SXE7,VN17,VN27,VSD7,VXB7,VXE7,VXFB,VXTB
			1	-	-	2157141	-----	QXB,QXEB,SXB,SXEB,VMX,VNG1,VNG2,VSD,VXB,VXEB
4	18323-ZE3-W40	PROTECTOR, EX. PIPE	1	-	1	-----	-----	BJ,HA,HAQ,HA2,HJA,HJA2,LJ,LJG,LKF1,LT,LTk,LTk1,LWD,PAE2,QA,QAE,QAE2,QAE6,QAP,QAQ,QAW,QA2,QA26,QKA2,QKB2,QKE2,QND,QNE,QNE2,QNE6,QNE8,QNE9,QNK,QNR2,QNR6,QN18,QWA2,SJ,SJG,SME1,SM11,SWA4,VA,VAC2,VAG2,VA2,VDB2,VDE1,VDE2,VD2,VJ2,VMA2,VME2,VM2,YJ
			-	(1)	-	-----	-----	

Ref. No.	Part No.	Description	Reqd. QTY			Serial No.	Parts catalogue code
			GX390K1	(1)	(2)		
5	18330-ZE2-W00	PIPE, EX.	1	-	1	-----	BJ, ED8, ED9, ES1, HA, HAQ, HA2, HH, HJA, HJA2, HX, LH, LHB1, LHB3, LHC, LHE, LHP1, LJ, LJG, LKE, LKF1, LMH, LT, LTK, LTK1, LWD, LX, LXE, LXE2, LXE4, LXE8, LXQ4, LXU, LXZ, LX2, PAE2, PA2, PX, PXE, PXE8, PXU, QA, QAE, QAE2, QAE6, QAP, QAQ, QAW, QA2, QA26, QDW9, QE, QH, QHB3, QHC, QHE, QHP1, QH2, QKA2, QKA4, QKB2, QKE2, QK4, QME0, QME1, QMH, QMP, QND, QNE, QNE2, QNE6, QNE8, QNE9, QNK, QNR2, QNR6, QN18, QP, QT, QWA2, QWA4, QWC4, QWH2, QWT2, QX, QXB, QXC, QXC6, QXC9, QXE, QXEB, QXE2, QXE4, QXE6, QXE7, QXE8, QXQ4, QXQ7, QXU, SCK4, SE, SH, SHB1, SHB3, SHE, SHEZ, SHQ4, SHW, SJ, SJG, SKA, SKAE, SMC1, SME0, SME1, SME6, SMX, SM11, SM32, SN, SNC9, SNT2, STC4, SWA4, SWE, SWX, SX, SXB, SXE7, SXC, SXE, SXEB, SXE4, SXE7, SXE8, SXP, SXQ4, SXU, SX2, VA, VAC2, VAG2, VAP, VA2, VCN2, VDB2, VDE1, VDE2, VD2, VE, VH, VHE, VJE2, VJ2, VKB2, VK2, VMA2, VME2, VMX, VM2, VNG1, VNG2, VN17, VN27, VSD, VSD7, VTE1, VTE5, VWA, VWA2, VX, VXB, VXB7, VXE, VXEB, VXE2, VXE4, VXE6, VXE7, VXE8, VXF8, VXP, VXQP, VXQ4, VXTB, VXT1, VXU, VXU1, VX8, YJ
			1	-	-	-----	2362177 QXC4, SMD3, SNC
			-	(1)	-		
6	18331-ZE3-810	CAP, MUFFLER	1	-	1	-----	HA, HAQ, HA2, HJA, HJA2, LT, LTK, LTK1, LWD, PAE2, QA, QAE, QAE2, QAE6, QAP, QAQ, QAW, QA2, QA26, QE, QKA2, QKA4, QKB2, QKE2, QK4, QMH, QND, QNE, QNE2, QNE6, QNE8, QNE9, QNK, QNR2, QNR6, QN18, QP, QT, QWA4, QWC4, QWH2, QWT2, SE, SMC1, SMD3, SME1, SMX, SM11, SM32, SNC, SNC9, SNT2, SWX, VA, VA2, VDB2, VD2, VE, VKB2, VK2, VMA2, VM2
			1	-	-	-----	2502063 VME2
			(1)	-	-	-----	3219747 LHP1, QHP1
			-	(1)	-		
7	18333-ZE3-000	GASKET, EX. PIPE	1	-	-	-----	SHEZ
			1	-	-	-----	2039269 BJ, LJ, LWD, LXZ, QT, SJ, SWE, SWX, YJ
			-	(1)	-	-----	2039269
	18333-ZE3-800	1	-	-	-----	EWS4, EWS5, LP, QMP, VPE7, VPX7, VWT4
			1	-	-	-----	VPE4, VPX4
			1	-	-	-----	2275744 ED8, ED9, ES1, HA, HAQ, HA2, HH, HJA, HJA2, HX, LH, LHB1, LHB3, LHC, LHE, LHP1, LJG, LTK, LX, LXE, LXE2, LXE4, LXQ4, LX2, PX, PXE, QA, QAE, QAE2, QAE6, QAQ, QA2, QA26, QDW9, QE, QH, QHB3, QHC, QHE, QH2, QKA2, QKA4, QKE2, QME0, QME1, QNE, QNE2, QNE6, QNE9, QNR2, QN18, QP, QX, QXB, QXC, QXC4, QXC6, QXC9, QXE, QXEB, QXE2, QXE4, QXE6, QXQ4, SCK4, SE, SH, SHB1, SHB3, SHE, SHQ4, SHW, SJG, SKA, SMC1, SMD3, SME0, SME6, SN, SNC, SNC9, SNT2, STC4, SX, SXB, SXE, SXEB, SXE4, SXP, SXQ4, SX2, VA, VAG2, VA2, VDE1, VDE2, VE, VH, VHE, VMA2, VMX, VNG1, VNG2, VSD, VWA, VWA2, VX, VXB, VXE, VXEB, VXE2, VXE4, VXQ4, VXU, VXU1
			1	-	-	-----	2332134 LKF1
			1	-	-	-----	2275744 BJ, LJ, LWD, LXZ, QT, SJ, SWE, SWX, YJ
			-	(1)	-		
			-	-	1	-----	1000009 VXP, VXQP
	18333-ZK6-Y00	1	-	-	-----	2275745 BJ, HA, HAQ, HJA, HX, LHB1, LHC, LXZ, QA, QAE, QAQ, QHC, QH2, QKA2, QKE2, SE, SKA, SNC9, SNT2, SXP, SX2, VA, VDE1, VE, VH, VHE, VWA, YJ
			1	-	-	-----	2638033 LKE, LMH, LTK1, LXE8, LXU, PAE2, PA2, PXE8, PXU, QHP1, QMH, QNE8, QNR6, QWA2, QXE8, QXU, SMX, SM11, SWA4, SXE8, SXU, VKB2, VME2, VM2, VTE1, VTE5, VXE6, VXE8, VXF8, VXTB, VXT1, VX8
			1	-	-	-----	2275745 2638033 ED8, ED9, ES1, HA2, HH, HJA2, LH, LHB3, LHE, LHP1, LJ, LJG, LTK, LWD, LX, LXE, LXE2, LXE4, LXQ4, LX2, PX, PXE, QAE2, QAE6, QA2, QA26, QDW9, QE, QH, QHB3, QHE, QKA4, QME0, QME1, QNE, QNE2, QNE6, QNE9, QNR2, QN18, QP, QT, QX, QXB, QXC, QXC4, QXC6, QXC9, QXE, QXEB, QXE2, QXE4, QXE6, QXQ4, SCK4, SH, SHB1, SHB3, SHE, SHQ4, SHW, SJ, SJG, SMC1, SMD3, SME0, SME6, SN, SNC, STC4, SWE, SWX, SX, SXB, SXE, SXEB, SXE4, SXQ4, VAG2, VA2, VDE2, VMA2, VMX, VNG1, VNG2, VSD, VWA2, VX, VXB, VXE, VXEB, VXE2, VXE4, VXQ4, VXU, VXU1
			1	-	-	-----	2332135 LKF1
			-	-	1	-----	1000214 QAP
			-	-	1	-----	1000010 1000214 VXP, VXQP

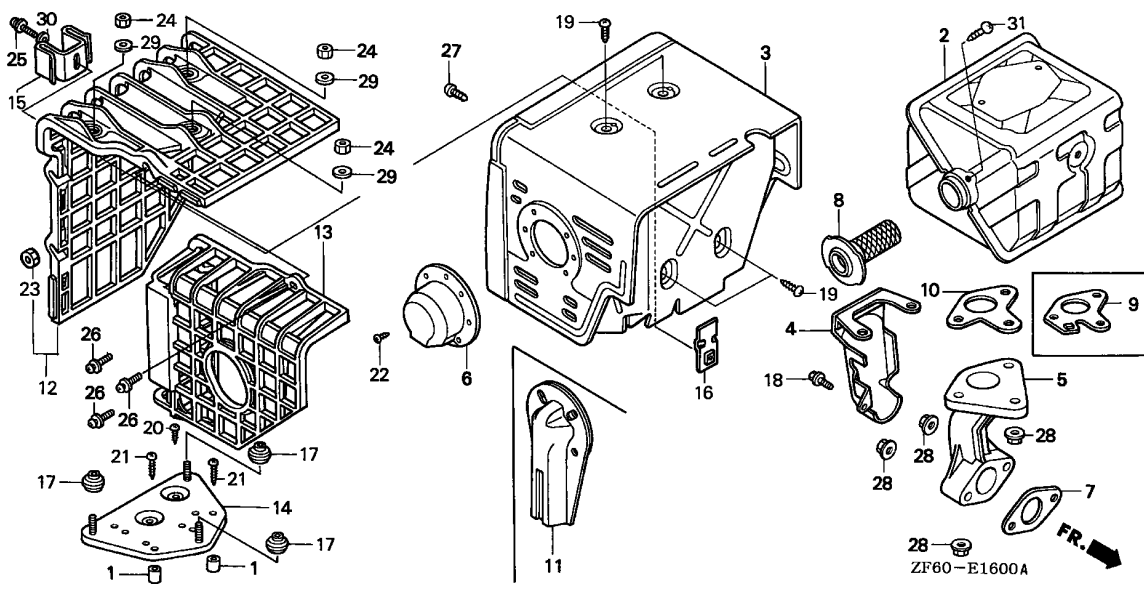




Ref. No.	Part No.	Description	Reqd. QTY			Serial No.	Parts catalogue code	
			GX390K1	(1)	(2)			(3)
(7)	18333-ZF6-W01	GASKET, EX. PIPE	1	-	1	-----	LT, QAW, QKB2, QK4, QND, QNK, QWA4, QWC4, QWH2, QWT2, QXB7, QXE7, QXQ7, SKAE SME1, SM32, SXB7, SXC, SXE7, VAC2, VAP, VCN2, VC2, VDB2, VD2, VJE2, VJ2, VK2 VN17, VN27, VSD7, VXB7, VXE7	
			1	-	-	2638034	-----	ED8, ED9, ES1, HA2, HH, HJA2, LH, LHB3, LHE, LHP1, LJ, LJG, LKE, LKF1, LMH, LTK LTK1, LWD, LX, LXE, LXE2, LXE4, LXE8, LXQ4, LXU, LX2, PAE2, PA2, PX, PXE, PXE8 PXU, QAE2, QAE6, QA2, QA26, QDW9, QE, QH, QHB3, QHE, QHP1, QKA4, QMED, QME1 QMH, QNE, QNE2, QNE6, QNE8, QNE9, QNR2, QNR6, QN18, QP, QT, QWA2, QX, QXB, QXC QXC4, QXC6, QXC9, QXE, QXEB, QXE2, QXE4, QXE6, QXE8, QXQ4, QXU, SCK4, SH, SHB1 SHB3, SHE, SHQ4, SHW, SJ, SJG, SMC1, SMD3, SME0, SME6, SMX, SM11, SN, SNC, STC4 SWA4, SWE, SWX, SX, SXB, SXE, SXEB, SXE4, SXE8, SXQ4, SXU, VAG2, VA2, VDE2 VKB2, VMA2, VME2, VMX, VM2, VNG1, VNG2, VSD, VTE1, VTE5, VWA2, VX, VXB, VXE VXEB, VXE2, VXE4, VXE6, VXE8, VXFB, VXQ4, VXTB, VXT1, VXU, VXU1, VX8
			-	-	1	1000215	-----	QAP, VXP, VXQP
8	18355-ZE2-W00	ARRESTER, SPARK	1	-	1	-----	ED9, ES1, HA, HAQ, HA2, HJA, HJA2, PAE2, QA, QAE, QAE2, QAE6, QAP, QAQ, QAW, QA2 QA26, QDW9, QE, QKA2, QKA4, QKB2, QKE2, QK4, QWA2, QWA4, QWC4, QXB, QXB7, QXEB QXE7, SCK4, SE, SHW, SMC1, SNC9, SNT2, STC4, SXB, SXB7, SXEB, SXE7, VA, VAC2 VAG2, VA2, VCN2, VDB2, VDE1, VDE2, VD2, VE, VJE2, VJ2, VKB2, VK2, VMA2, VME2 VMX, VM2, VNG1, VNG2, VN17, VN27, VPE7, VPX7, VSD, VSD7, VWA, VWA2, VXB, VXB7 VXEB, VXE7, VXFB, VXTB	
			1	-	-	2490914	-----	SWA4
			1	-	-	2643256	-----	VPE4, VPX4
			1	-	-	2362177	-----	QXC4, SMD3, SNC
			(1)	-	-	-----	-----	HH, HX, LX, LXQ4, LXU, LX2, QND, QNE, QNE2, QNE6, QNE8, QNE9, QNK, QNR2, QNR6 QN18, QWH2, QWT2, QXC, QXC6, QXC9, SM32
			-	(1)	-	-----	-----	

Ref. No.	Part No.	Description	Reqd. QTY			Serial No.	Parts catalogue code
			(1)	(2)	(3)		
9	18381-ZE2-W10	GASKET, MUFFLER (ARRESTER) ..	1	-	1	-----	ED9,ES1,HA,HAQ,HA2,HJA,HJA2,PAE2,QA,QAE,QAE2,QAE6,QAP,QAQ,QAW,QA2,QA26,QDW9,QE,QKA2,QKA4,QKB2,QKE2,QK4,QWA2,QWA4,QWC4,QXB,QXB7,QXEB,QXE7,SCK4,SE,SHW,SMC1,SMD3,SNC,SNC9,SNT2,STC4,SXB,SXB7,SXEB,SXE7,VA,VAC2,VAG2,VA2,VCN2,VDB2,VDE1,VDE2,VD2,VE,VJE2,VJ2,VKB2,VK2,VMA2,VME2,VMX,VM2,VNG1,VNG2,VN17,VN27,VPE7,VPX7,VSD,VSD7,VVA,VWA2,VXB,VXB7,VXEB,VXE7,VXFB,VXTB
			1	-	-	2490914	----- SWA4
			1	-	-	2643256	----- VPE4,VPX4
			(1)	-	-	-----	HH,HX,LX,LXQ4,LXU,LX2,QND,QNE,QNE2,QNE6,QNE8,QNE9,QNK,QNR2,QNR6,QN18,QWH2,QWT2,QXC,QXC4,QXC6,QXC9,SM32
10	18381-ZE2-800	GASKET, MUFFLER	-	(1)	-	-----	BJ,ED8,HH,HX,LH,LHB1,LHB3,LHC,LHE,LHP1,LJ,LJG,LIKE,LKF1,LMH,LT,LTK,LTK1,LWD,LX,LXE,LXE2,LXE4,LXE8,LXQ4,LXU,LXZ,LX2,PA2,PX,PXE,PXE8,PXU,QH,QHB3,QHC,QHE,QHP1,QH2,QMEO,QME1,QMH,QMP,QND,QNE,QNE2,QNE6,QNE8,QNE9,QNK,QNR2,QNR6,QN18,QP,QT,QWH2,QWT2,QX,QXC,QXC4,QXC6,QXC9,QXE,QXE2,QXE4,QXE6,QXE8,QXQ4,QXQ7,QXU,SH,SHB1,SHB3,SHE,SHSZ,SHQ4,SJ,SJG,SKA,SKAE,SME0,SME1,SME6,SMX,SM11,SM32,SN,SWE,SWX,SX,SXC,SXE,SXE4,SXE8,SXP,SXQ4,SXU,SX2,VAP,VH,VHE,VTE1,VTE5,VX,VXE,VXE2,VXE4,VXE6,VXE8,VXP,VXQP,VXQ4,VXT1,VXU,VXU1,VX8,YJ
			1	-	-	2490913	----- SWA4
			-	(1)	-	-----	
11	18430-ZF6-W50	DEFLECTOR COMP., MUFFLER	(1)	-	-	-----	QE,SMC1,SMD3,SNC
12	18433-ZF6-W40	COVER COMP., MUFFLER	(1)	-	(1)	-----	LKE,LXE4,LXQ4,QE,QKA4,QK4,QMEO,QME1,QWA4,QWC4,QXB,QXB7,QXC4,QXEB,QXE4,QXE7,QXQ4,QXQ7,SCK4,SHQ4,SKAE,SMC1,SMD3,SME0,SME6,SNC,STC4,SWA4,SXB,SXB7,SXEB,SXE4,SXE7,SXQ4,VMX,VNG1,VNG2,VN17,VN27,VPE4,VPE7,VPX4,VPX7,VSD,VSD7,VWT4,VXB,VXB7,VXEB,VXE4,VXE7,VXFB,VXQP,VXQ4,VXTB
13	18434-ZF6-W40	COVER COMP., RR. MUFFLER	(1)	-	(1)	-----	LKE,LXE4,LXQ4,QE,QKA4,QK4,QMEO,QME1,QWA4,QWC4,QXB,QXB7,QXC4,QXEB,QXE4,QXE7,QXQ4,QXQ7,SCK4,SHQ4,SKAE,SMC1,SMD3,SME0,SME6,SNC,STC4,SWA4,SXB,SXB7,SXEB,SXE4,SXE7,SXQ4,VMX,VNG1,VNG2,VN17,VN27,VPE4,VPE7,VPX4,VPX7,VSD,VSD7,VWT4,VXB,VXB7,VXEB,VXE4,VXE7,VXFB,VXQP,VXQ4,VXTB
14	18436-ZH8-W40	BASE COMP., MUFFLER COVER ...	(1)	-	(1)	-----	LKE,LXE4,LXQ4,QE,QKA4,QK4,QMEO,QME1,QWA4,QWC4,QXB,QXB7,QXC4,QXEB,QXE4,QXE7,QXQ4,QXQ7,SCK4,SHQ4,SKAE,SMC1,SMD3,SME0,SME6,SNC,STC4,SWA4,SXB,SXB7,SXEB,SXE4,SXE7,SXQ4,VMX,VNG1,VNG2,VN17,VN27,VPE4,VPE7,VPX4,VPX7,VSD,VSD7,VWT4,VXB,VXB7,VXEB,VXE4,VXE7,VXFB,VXQP,VXQ4,VXTB
15	18437-ZF6-W40	STAY, MUFFLER COVER	(1)	-	(1)	-----	EDS,ES1,ES3,LKE,LXE4,LXQ4,QE,QKA4,QK4,QMEO,QME1,QWA4,QWC4,QXB,QXB7,QXC4,QXEB,QXE4,QXE7,QXQ4,QXQ7,SCK4,SHQ4,SKAE,SMC1,SMD3,SME0,SME6,SNC,STC4,SWA4,SXB,SXB7,SXEB,SXE4,SXE7,SXQ4,VMX,VNG1,VNG2,VN17,VN27,VPE4,VPE7,VPX4,VPX7,VSB1,VSD,VSD7,VWT4,VXB,VXB7,VXEB,VXE4,VXE7,VXFB,VXQP,VXQ4,VXTB
16	18438-ZF6-W40	PLATE, SET	(1)	-	(1)	-----	EDS,ES1,ES3,LKE,LXE4,LXQ4,QE,QKA4,QK4,QMEO,QME1,QWA4,QWC4,QXB,QXB7,QXC4,QXEB,QXE4,QXE7,QXQ4,QXQ7,SCK4,SHQ4,SKAE,SMC1,SMD3,SME0,SME6,SNC,STC4,SWA4,SXB,SXB7,SXEB,SXE4,SXE7,SXQ4,VMX,VNG1,VNG2,VN17,VN27,VPE4,VPE7,VPX4,VPX7,VSB1,VSD,VSD7,VWT4,VXB,VXB7,VXEB,VXE4,VXE7,VXFB,VXQP,VXQ4,VXTB
17	18466-ZH8-W40	SPACER, MUFFLER COVER	(3)	-	(3)	-----	LKE,LXE4,LXQ4,QE,QKA4,QK4,QMEO,QME1,QWA4,QWC4,QXB,QXB7,QXC4,QXEB,QXE4,QXE7,QXQ4,QXQ7,SCK4,SHQ4,SKAE,SMC1,SMD3,SME0,SME6,SNC,STC4,SWA4,SXB,SXB7,SXEB,SXE4,SXE7,SXQ4,VMX,VNG1,VNG2,VN17,VN27,VPE4,VPE7,VPX4,VPX7,VSD,VSD7,VWT4,VXB,VXB7,VXEB,VXE4,VXE7,VXFB,VXQP,VXQ4,VXTB

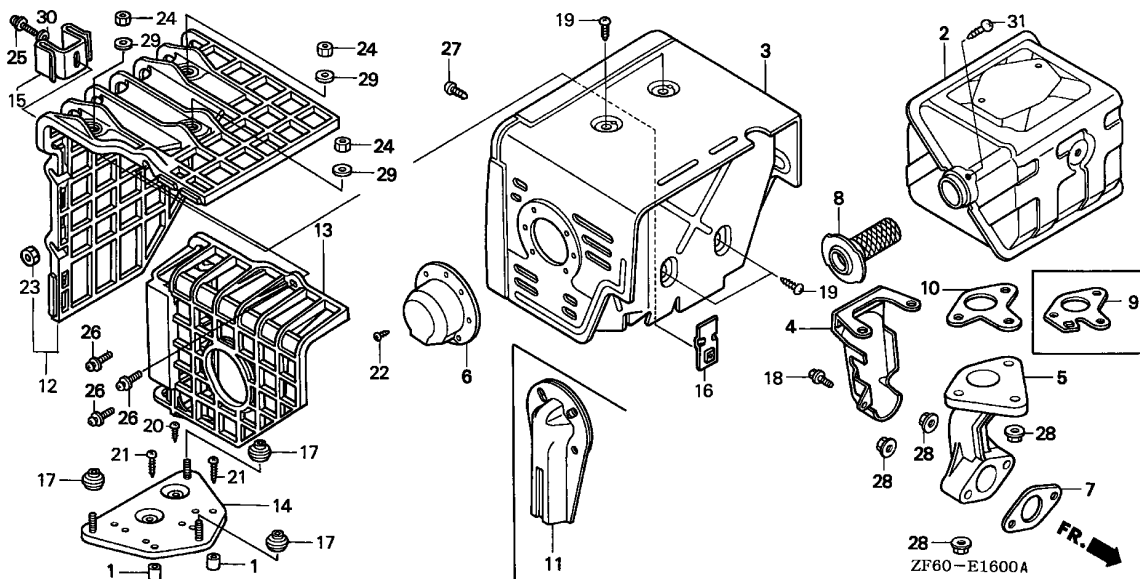




Ref. No.	Part No.	Description	Reqd. QTY			Serial No.	Parts catalogue code
			GX390K1	(1)	(2)		
18	90013-883-000	BOLT, FLANGE, 6X12(CT200) ...	1	-	1	-----	BJ, HA, HAQ, HA2, HJA, HJA2, LJ, LJG, LKF1, LT, LTK, LTK1, LWD, PAE2, QA, QAE, QAE2, QAE6, QAP, QAQ, QAW, QA2, QA26, QKA2, QKB2, QKE2, QND, QNE, QNE2, QNE6, QNE8, QNE9, QNK, QNR2, QNR6, QN18, QWA2, SJ, SJG, SME1, SM11, SWA4, VA, VAC2, VAG2, VA2, VDB2, VDE1, VDE2, VD2, VJ2, VMA2, VME2, VM2, YJ
19	90050-ZE1-000	SCREW, TAPPING, 5X8	-	(1)	-	-----	BJ, ED8, ED9, ES1, HA, HAQ, HA2, HH, HJA, HJA2, HX, LH, LHB1, LHB3, LHC, LHE, LHP1, LJ, LJG, LKE, LKF1, LMH, LT, LTK, LTK1, LWD, LX, LXE, LXE2, LXE4, LXE8, LXQ4, LXU, LXZ, LX2, PAE2, PA2, PX, PXE, PXE8, PXU, QA, QAE, QAE2, QAE6, QAP, QAQ, QAW, QA2, QA26, QDW9, QE, QH, QHB3, QHC, QHE, QHP1, QH2, QKA2, QKA4, QKB2, QKE2, QK4, QME0, QME1, QMH, QMP, QND, QNE, QNE2, QNE6, QNE8, QNE9, QNK, QNR2, QNR6, QN18, QP, QT, QWA2, QWA4, QWC4, QWH2, QWT2, QX, QXB, QXB7, QXC, QXC6, QXC9, QXE, QXB, QXE2, QXE4, QXE6, QXE7, QXE8, QXQ4, QXQ7, QXU, SCK4, SE, SH, SHB1, SHB3, SHE, SHE2, SHQ4, SHW, SJ, SJG, SKA, SKAE, SMC1, SME0, SME1, SME6, SMX, SM11, SM32, SN, SNC9, SNT2, STC4, SWA4, SWE, SWX, SX, SXB, SXB7, SXC, SXE, SXEB, SXE4, SXE7, SXE8, SXP, SXQ4, SXU, SX2, VA, VAC2, VAG2, VAP, VA2, VCN2, VDB2, VDE1, VDE2, VD2, VE, VH, VHE, VJE2, VJ2, VKB2, VK2, VMA2, VME2, VMX, VM2, VNG1, VNG2, VN17, VN27, VSD, VSD7, VTE1, VTE5, VWA, VWA2, VX, VXB, VXB7, VXE, VXB, VXE2, VXE4, VXE6, VXE7, VXE8, VXF7, VXP, VXQP, VXQ4, VXTB, VXT1, VXU, VXU1, VX8, YJ
			4	-	-	-----	2362177 QXC4, SMD3, SNC
20	90050-ZE1-000	SCREW, TAPPING, 5X8	(1)	-	(1)	-----	LKE, LXE4, LXQ4, QKA4, QK4, QME0, QME1, QMP, QWA4, QWC4, QXB7, QXC4, QXE4, QXE7, QXQ4, QXQ7, SCK4, SHQ4, SKAE, SMC1, SMD3, SME0, SME6, SWA4, SXB7, SXE4, SXE7, SXQ4, VN17, VN27, VPE4, VPE7, VPX4, VPX7, VSD7, VVT4, VXB7, VXE4, VXE7, VXF7, VXQP, VXQ4, VXTB
			(1)	-	-	-----	2157141 QE, QXB, QXB, SNC, SXB, SXEB, VMX, VNG1, VNG2, VSD, VXB, VXB

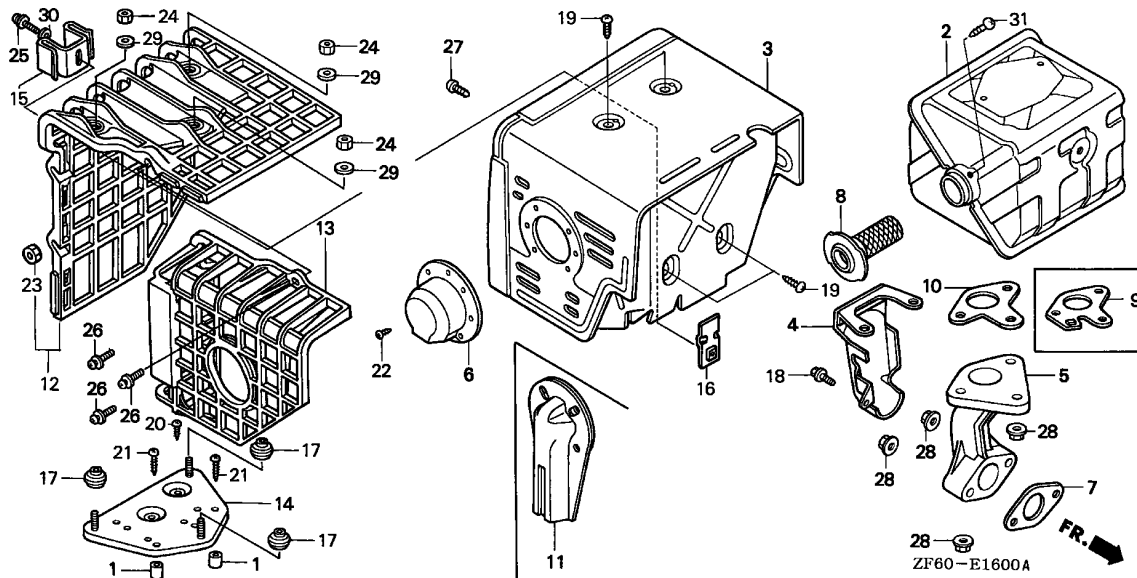
Ref. No.	Part No.	Description	Reqd. QTY			Serial No.	Parts catalogue code
			GX390K1	(1)	(2)		
21	90050-ZH8-W40	SCREW, TAPPING, 5X25	(2)	-	(2)	-----	LKE, LXE4, LXQ4, QE, QKA4, QK4, QMEO, QME1, QWA4, QWC4, QXB, QXB7, QXC4, QXEB, QXE4, QXE7, QXQ4, QXQ7, SCK4, SHQ4, SKAE, SMC1, SMD3, SMEO, SME6, SNC, STC4, SWA4, SXB, SXB7, SXEB, SXE4, SXE7, SXQ4, VMX, VNG1, VNG2, VN17, VN27, VPE4, VPE7, VPX4, VPX7, VSD, VSD7, VWT4, VXB, VXB7, VXEB, VXE4, VXE7, VXFV, VXQP, VXQ4, VXTB
22	90055-ZE1-000	SCREW, TAPPING, 4X6	3	-	3	-----	HA, HAQ, HA2, HJA, HJA2, LT, LTK, LTK1, LWD, PAE2, QA, QAE, QAE2, QAE6, QAP, QAQ, QAW, QA2, QA26, QE, QKA2, QKA4, QKB2, QKE2, QK4, QMH, QND, QNE, QNE2, QNE6, QNE8, QNE9, QNK, QNR2, QNR6, QN18, QP, QT, QWA4, QWC4, QWH2, QWT2, SE, SMC1, SMD3, SME1, SMX, SM11, SM32, SNC, SNC9, SNT2, SWX, VA, VA2, VDB2, VD2, VE, VKB2, VK2, VMA2, VM2
			3	-	-	2502063	VME2
			(3)	-	-	3219747	LHP1, QHP1
			-	(3)	-		
23	90301-782-000	NUT, U, 6MM	(3)	-	(3)	-----	LKE, LXE4, LXQ4, QE, QKA4, QK4, QMEO, QME1, QWA4, QWC4, QXB, QXB7, QXC4, QXEB, QXE4, QXE7, QXQ4, QXQ7, SCK4, SHQ4, SKAE, SMC1, SMD3, SMEO, SME6, SNC, STC4, SWA4, SXB, SXB7, SXEB, SXE4, SXE7, SXQ4, VMX, VNG1, VNG2, VN17, VN27, VPE4, VPE7, VPX4, VPX7, VSD, VSD7, VWT4, VXB, VXB7, VXEB, VXE4, VXE7, VXFV, VXQP, VXQ4, VXTB
24	90302-KF9-900	NUT, HEX., 5MM	(3)	-	(3)	-----	LKE, LXE4, LXQ4, QKA4, QK4, QMEO, QME1, QWA4, QWC4, QXB7, QXC4, QXE4, QXE7, QXQ4, QXQ7, SCK4, SHQ4, SKAE, SMC1, SMD3, SMEO, SME6, STC4, SWA4, SXB7, SXE4, SXE7, SXQ4, VN17, VN27, VPE4, VPE7, VPX4, VPX7, VSD7, VWT4, VXB7, VXE4, VXE7, VXFV, VXQP, VXQ4, VXTB
			(3)	-	-	2145616	QE, QXB, QXEB, SNC, SXB, SXEB, VMX, VNG1, VNG2, VSD, VXB, VXEB
25	93891-05012-00	SCREW-WASHER, 5X12	(1)	-	(1)	-----	EDS, ES1, ES3, LKE, LXE4, LXQ4, QE, QKA4, QK4, QMEO, QME1, QWA4, QWC4, QXB, QXB7, QXC4, QXEB, QXE4, QXE7, QXQ4, QXQ7, SCK4, SHQ4, SKAE, SMC1, SMD3, SMEO, SME6, SNC, STC4, SWA4, SXB, SXB7, SXEB, SXE4, SXE7, SXQ4, VMX, VNG1, VNG2, VN17, VN27, VPE4, VPE7, VPX4, VPX7, VSB1, VSD, VSD7, VWT4, VXB, VXB7, VXEB, VXE4, VXE7, VXFV, VXQP, VXQ4, VXTB
26	93891-06020-07	SCREW-WASHER, 6X20	(3)	-	(3)	-----	LKE, LXE4, LXQ4, QKA4, QK4, QMEO, QME1, QWA4, QWC4, QXB7, QXC4, QXE4, QXE7, QXQ4, QXQ7, SCK4, SHQ4, SKAE, SMC1, SMD3, SMEO, SME6, STC4, SWA4, SXB7, SXE4, SXE7, SXQ4, VN17, VN27, VPE4, VPE7, VPX4, VPX7, VSD7, VWT4, VXB7, VXE4, VXE7, VXFV, VXQP, VXQ4, VXTB
			(3)	-	-	2145616	QE, QXB, QXEB, SNC, SXB, SXEB, VMX, VNG1, VNG2, VSD, VXB, VXEB
27	93901-360J0	SCREW, TAPPING, 6X10	1	(1)	-	-----	L1, SHEZ, S1
			1	(1)	-	2059346	BJ, ES1, HA, HAQ, HH, HJA, HX, LH, LHC, LHE, LJ, LWD, LX, LXE, LXZ, PX, QA, QAE, QAQ, QE, QH, QHC, QHE, QNE, QNE9, QP, QT, QX, QXB, QXC, QXE, QXE7, Q1, SE, SH, SHE, SJ, SWE, SWX, SX, SXB, SXE, SXEB, SXP, VA, VE, VH, VHE, VNG1, VNG2, VSD, VX, VXB, VXE, VXEB, V1, YJ
	90006-ZE2-000		1	(1)	-	2059347	BJ, ES1, HA, HAQ, HH, HJA, HX, LH, LHC, LHE, LJ, LWD, LX, LXE, LXZ, PX, QA, QAE, QAQ, QE, QH, QHC, QHE, QNE, QNE9, QT, QX, QXB, QXC, QXE, QXE7, Q1, SE, SH, SHE, SJ, SWE, SWX, SX, SXB, SXE, SXEB, SXP, VA, VE, VH, VHE, VNG1, VNG2, VSD, VX, VXB, VXE, VXEB, V1, YJ
			1	-	1	-----	ED9, HA2, HJA2, LHB1, LHB3, LHP1, LJG, LKE, LKF1, LMH, LT, LTK, LTK1, LXE2, LXE4, LXE8, LXQ4, LXU, LX2, PAE2, PA2, PXE, PXE8, PXU, QAE2, QAE6, QAP, QAW, QA2, QA26, QDW9, QHB3, QHP1, QH2, QKA2, QKA4, QKB2, QKE2, QK4, QMEO, QME1, QMH, QMP, QND, QNE2, QNE6, QNE8, QNK, QNR2, QNR6, QN18, QWA2, QWA4, QWC4, QWH2, QWT2, QXB7, QXC6, QXC9, QXE2, QXE4, QXE6, QXE7, QXE8, QXQ4, QXQ7, QXU, SCK4, SHB1, SHB3, SHQ4, SHW, SJG, SKA, SKAE, SMC1, SMEO, SME1, SME6, SMX, SM11, SM32, SNC9, SNT2, STC4, SWA4, SXB7, SXC, SXE4, SXE7, SXE8, SXQ4, SXU, SX2, VAC2, VAG2, VAP, VA2, VCN2, VDB2, VDE1, VDE2, VD2, VJE2, VJ2, VKB2, VK2, VMA2, VME2, VM2, VN17, VN27, VSD7, VTE1, VTE5, VWA, VWA2, VXB7, VXE2, VXE4, VXE6, VXE7, VXFV, VXP, VXQP, VXQ4, VXTB, VXT1, VXU, VX8
			1	-	-	2362177	QXC4, SMD3, SNC
			1	-	-	2059347	QP





2

Ref. No.	Part No.	Description	Reqd. QTY			Serial No.	Parts catalogue code
			(1)	(2)	(3)		
28	94050-08000	NUT, FLANGE, 8MM	5	-	5	-----	BJ, ED8, ED9, ES1, HA, HAQ, HA2, HH, HJA, HJA2, HX, LH, LHB1, LHB3, LHC, LHE, LHP1, LJ, LJG, LKE, LKF1, LMH, LT, LTK, LTK1, LWD, LX, LXE, LXE2, LXE4, LXE8, LXQ4, LXU, LXZ, LX2, PAE2, PA2, PX, PXE, PXE8, PXU, QA, QAE, QAE2, QAE6, QAP, QAQ, QAW, QA2, QA26, QDW9, QE, QH, QHB3, QHC, QHE, QHP1, QH2, QKA2, QKA4, QKB2, QKE2, QK4, QME0, QME1, QMH, QMP, QND, QNE, QNE2, QNE6, QNE8, QNE9, QNK, QNR2, QNR6, QN18, QP, QT, QWA2, QWA4, QWC4, QWH2, QWT2, QX, QXB, QXB7, QXC, QXC6, QXC9, QXE, QXE8, QXE2, QXE4, QXE6, QXE7, QXE8, QXQ4, QXQ7, QXU, SCK4, SE, SH, SHB1, SHB3, SHE, SHEZ, SHQ4, SHW, SJ, SJG, SKA, SKAE, SMC1, SME0, SME1, SME6, SMX, SM11, SM32, SN, SNC9, SNT2, STC4, SWA4, SWE, SWX, SX, SXB, SXB7, SXC, SXE, SXEB, SXE4, SXE7, SXE8, SXP, SXQ4, SXU, SX2, VA, VAC2, VAG2, VAP, VA2, VCN2, VDB2, VDE1, VDE2, VD2, VE, VH, VHE, VJE2, VJ2, VKB2, VK2, VMA2, VME2, VMX, VM2, VNG1, VNG2, VN17, VN27, VPE7, VPX7, VSD, VSD7, VTE1, VTE5, VWA, VWA2, VX, VXB, VXB7, VXE, VXEB, VXE2, VXE4, VXE6, VXE7, VXE8, VXF8, VXP, VXQP, VXQ4, VXTB, VXT1, VXU, VXU1, VX8, YJ
			5	-	-	2643256	----- VPE4, VPX4
			5	-	-	2362177	----- QXC4, SMD3, SNC
29	94103-05700	WASHER, PLAIN, 5MM	(3)	-	(3)	-----	LKE, LXE4, LXQ4, QKA4, QK4, QME0, QME1, QWA4, QWC4, QXB7, QXC4, QXE4, QXE7, QXQ4, QXQ7, SCK4, SHQ4, SKAE, SMC1, SMD3, SME0, SME6, STC4, SWA4, SXB7, SXE4, SXE7, SXQ4, VN17, VN27, VPE4, VPE7, VPX4, VPX7, VSD7, VWT4, VXB7, VXE4, VXE7, VXF8, VXQP, VXQ4, VXTB
30	94111-05000	WASHER, SPRING, 5MM	(1)	-	(1)	-----	QE, QXB, QXE8, SNC, SXB, SXEB, VMX, VNG1, VNG2, VSD, VXB, VXEB, EDS, ES1, ES3, LKE, LXE4, LXQ4, QE, QKA4, QK4, QME0, QME1, QWA4, QWC4, QXB, QXB7, QXC4, QXE8, QXE4, QXE7, QXQ4, QXQ7, SCK4, SHQ4, SKAE, SMC1, SMD3, SME0, SME6, SNC, STC4, SWA4, SXB, SXB7, SXEB, SXE4, SXE7, SXQ4, VMX, VNG1, VNG2, VN17, VN27, VPE4, VPE7, VPX4, VPX7, VSB1, VSD, VSD7, VWT4, VXB, VXB7, VXEB, VXE4, VXE7, VXF8, VXQP, VXQ4, VXTB



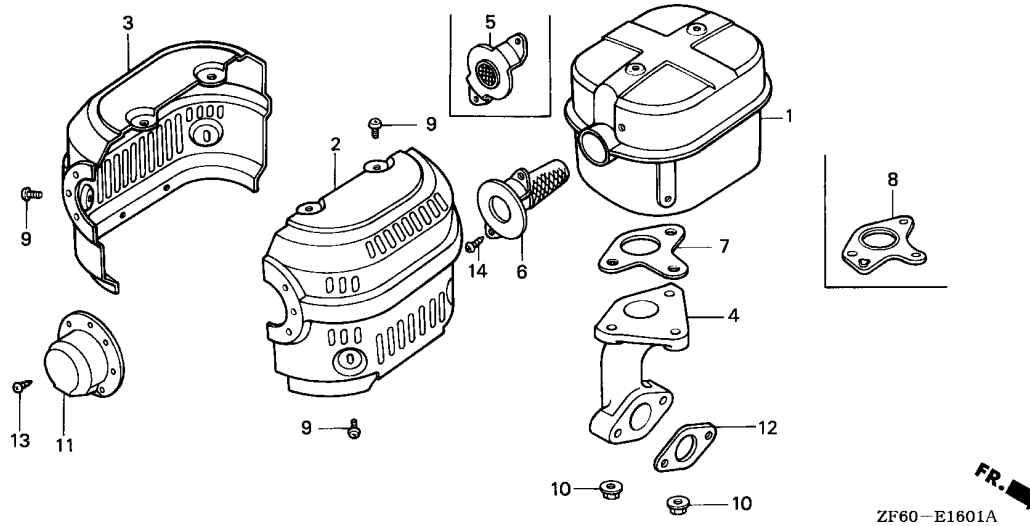
Ref. No.	Part No.	Description	Reqd. QTY			Serial No.	Parts catalogue code
			GX390K1	(1)	(2)		
31	90055-ZE1-000	SCREW, TAPPING, 4X6	1	-	1	-----	HA, HAQ, HA2, HJA, HJA2, PAE2, QA, QAE, QAE2, QAP, QAQ, QA2, QDW9, QWA2, QWA4, QWC4, VA, VAG2, VA2, VDE1, VDE2, VKB2, VMA2, VME2, VM2, VWA, VWA2
			(1)	-	-	-----	HH, LX, LXQ4, LXU, LX2, QND, QNE, QNE2, QNE6, QNE8, QNE9, QNK, QNR2, QNR6, QN18, QWH2, QWT2, QXC, QXC6, QXC9, SM32
	90050-ZE1-000	SCREW, TAPPING, 5X8	1	-	-	-----	ED9, ES1, HA, HH, HJA, LH, LHC, LHE, LX, LXE, LXE8, LXU, LXZ, PX, PXU, QA, QAE, QAE6, QAW, QA26, QE, QH, QHC, QHE, QKA2, QKA4, QKB2, QKE2, QK4, QP, QT, QWA4, QWC4, QX, QXB, QXB7, QXC, QXE, QXE8, QXE7, QXE8, QXU, SCK4, SE, SH, SHE, SHEZ, SHW, SMC1, SNC9, SNT2, STC4, SWE, SWX, SXB, SXB7, SXE, SXEB, SXE7, SXE8, SXP, SXU, VA, VAC2, VCN2, VDB2, VDE1, VD2, VE, VH, VHE, VJE2, VJ2, VK2, VMX, VNG1, VNG2, VN17, VN27, VSD, VSD7, VWA, VX, VXB, VXB7, VXE, VXEB, VXE7, VXFB, VXTB
			1	-	-	2490914	----- SWA4
			1	-	-	2643256	----- VPE4, VPX4
			1	-	-	2362177	----- QXC4, SMD3, SNC
			(1)	-	-	-----	HX, QNE
			-	(1)	-	-----	



E-16-1

MUFFLER(2)

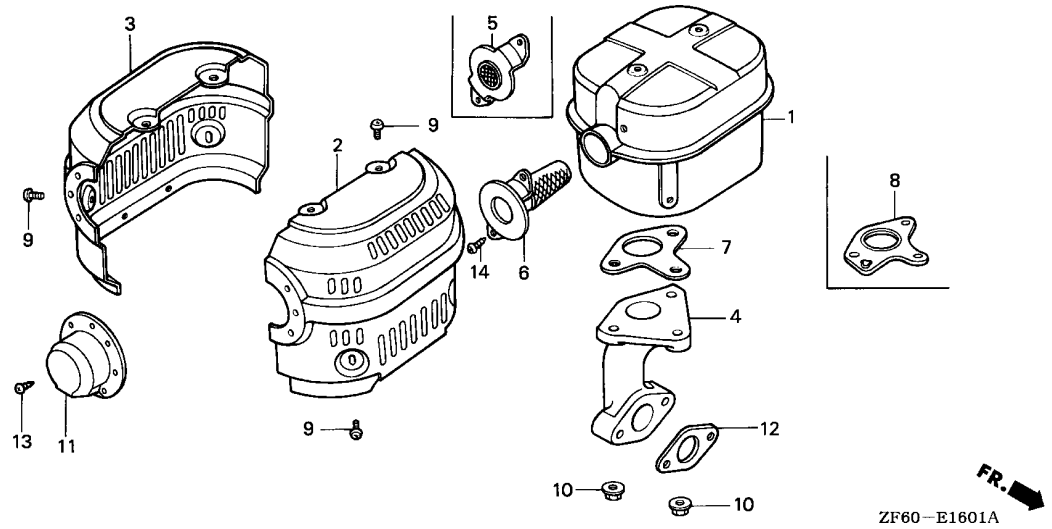
L16



Service item	F.R.T.
ARRESTER, SPARK	0.2
.GASKET, EX. PIPE	
.GASKET, MUFFLER	
.MUFFLER COMP.	
.PIPE, EX.	
.PROTECTOR, R. MUFFLER	
(ADD 0.1 FOR EACH.)	

2

Ref. No.	Part No.	Description	Reqd. QTY			Serial No.	Parts catalogue code
			GX390K1				
			(1)	(2)	(3)		
1	18310-ZE3-003	MUFFLER COMP.	1	-	-	LHW,LWD1,QXS4	
			1	-	-	2362178	QXC4,SMD3,SNC
			-	(1)	-		
2	18320-ZE3-003	PROTECTOR, R. MUFFLER	-	(1)	-		
	18320-ZE3-G10	PROTECTOR, R. MUFFLER (ALUMINAIZED)	1	-	-	LHW	
	18320-ZE3-H00	PROTECTOR, R. MUFFLER	1	-	-	LWD1,QXS4	
			1	-	-	2362178	QXC4,SMD3,SNC
3	18325-ZE3-H00	PROTECTOR, L. MUFFLER	1	-	-	LWD1,QXS4	
			1	-	-	2362178	QXC4,SMD3,SNC
	18325-ZE3-003	-	(1)	-		
	18325-ZE3-G10	PROTECTOR, L. MUFFLER (ALUMINAIZED)	1	-	-	LHW	
4	18330-ZE2-000	PIPE, EX.	1	-	-	LHW,LWD1,QXS4	
			1	-	-	2362178	QXC4,SMD3,SNC
			-	(1)	-		
5	18336-ZE3-000	FLANGE COMP., BAFFLE	1	-	-	LHW,LWD1,QXS4	
			1	-	-	2362178	QXC4,SMD3,SNC
			-	(1)	-		
6	18355-ZE3-010	ARRESTER, SPARK	1	-	-	2362178	QXC4,SMD3,SNC
			-	(1)	-		
7	18381-ZE2-000	GASKET, MUFFLER	-	(1)	-	2039269	
	18381-ZE2-800	1	-	-	LHW,LWD1,QXS4	
			-	(1)	-	2039270	
8	18381-ZE3-820	GASKET, MUFFLER (ARRESTER) ..	-	(1)	-	2056148	
	18381-ZE3-830	-	(1)	-	2056149	
9	90050-ZE1-000	SCREW, TAPPING, 5X8	6	-	-	2362178	SMD3,SNC
			-	(6)	-		



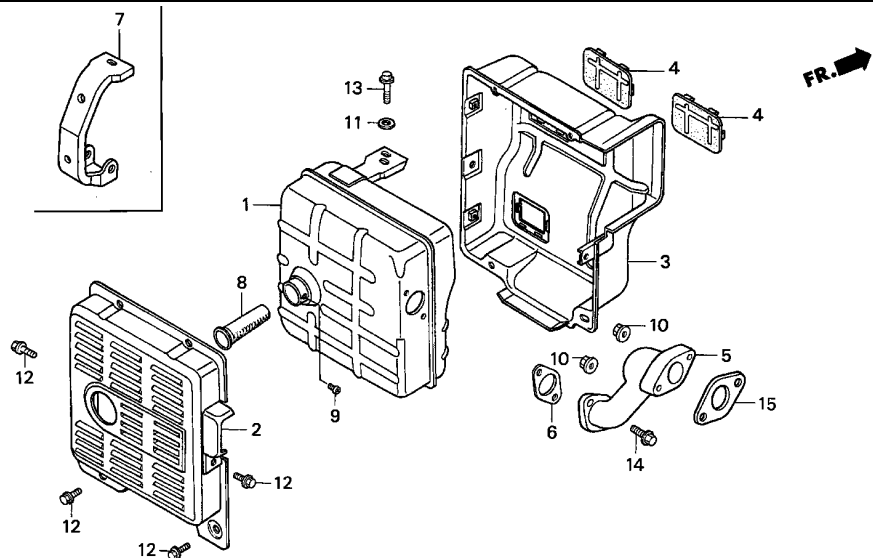
Ref. No.	Part No.	Description	Reqd. QTY			Serial No.	Parts catalogue code
			(1)	(2)	(3)		
(9)	90050-ZE3-H00	SCREW, TAPPING, 5X8	6	-	-	LWD1,QXS4	
	10	94050-08000	6	-	-	2362178	QXC4
			3	-	-		LHW,QXS4
			3	-	-	2362178	QXC4,SMD3,SNC
			-	(3)	-		
	11	18331-ZE3-810	1	-	-		LHW
	12	18333-ZK6-Y00	1	-	-	2638033	LHW
		18333-ZF6-W01	1	-	-		QXS4
			1	-	-	2638034	LHW
		18333-ZE3-800	1	-	-		LWD1
	13	90055-ZE1-000	3	-	-		LHW
	14	90050-ZE1-000	2	-	-		LWD1,QXS4
			2	-	-	2362178	SMD3,SNC
			-	(2)	-		
		90050-ZE3-H00	2	-	-	2362178	QXC4



E-16-2

MUFFLER(3)

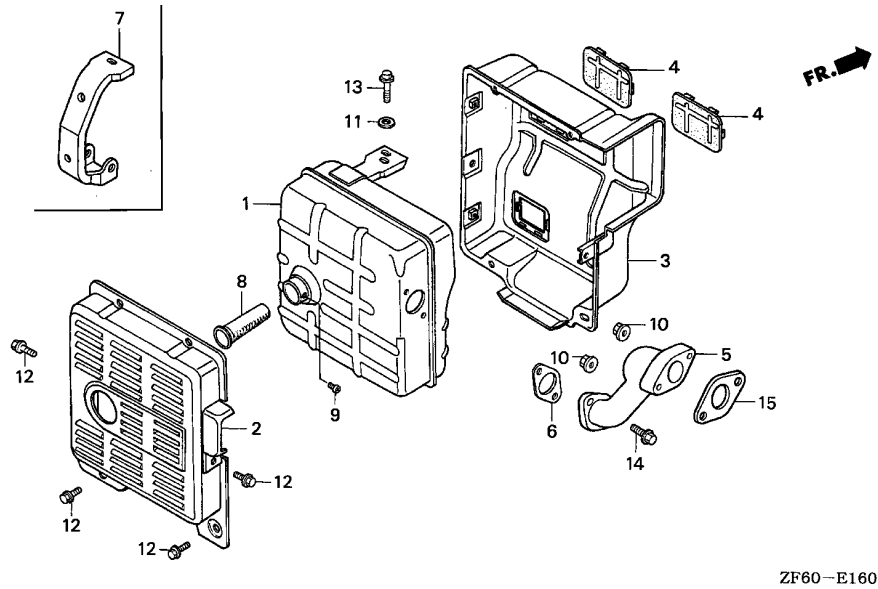
M 2



ZF60-E1602

Service item	F.R.T.
ARRESTER, SPARK	0.1
.PROTECTOR, MUFFLER OUTER	
GASKET, EX. PIPE	0.2
.MUFFLER COMP.	
.PIPE, EX.	
.PROTECTOR, MUFFLER INNER	
.SEAL, MUFFLER PROTECTOR	

Ref. No.	Part No.	Description	Reqd. QTY			Serial No.	Parts catalogue code
			GX390K1	(1)	(2)		
1	18310-ZD1-E31	MUFFLER COMP.	1	-	-	-----	EDS,EDS1,EDS2,EDS3,EDS6,EDT1,EDT6,ES3,ES4,ES5,EWS1,EWS3,EWS4,EWS5 VAA,VAEA,VAA1,VMT,VSB1,VSBS
			1	-	-	-----	2247975 ED6
			1	-	-	-----	2643255 VPE4,VPX4
	18310-ZE2-V60	MUFFLER COMP. (TSURUMI)	1	-	-	-----	EDD2,EDS7,EDT5,EN6,VTE2
			1	-	-	-----	2247976 ED6
2	18320-ZC2-000	PROTECTOR, MUFFLER OUTER	1	-	-	-----	EDD2,EDS,EDS1,EDS2,EDS3,EDS6,EDS7,EDT1,EDT5,EDT6,ED6,ES3,ES4,ES5 EWS1,EWS3,EWS4,EWS5,VAA,VAEA,VAA1,VMT,VSB1,VSBS,VTE2
3	18325-ZB4-000	PROTECTOR, MUFFLER INNER	1	-	-	-----	EDD2,EDS,EDS1,EDS2,EDS3,EDS6,EDS7,EDT1,EDT5,EDT6,ED6,EN6,ES3,ES4 ES5,EWS1,EWS3,EWS4,EWS5,VAA,VAEA,VAA1,VMT,VSB1,VSBS,VTE2
4	18329-ZB4-000	SEAL, MUFFLER PROTECTOR	2	-	-	-----	EDD2,EDS,EDS1,EDS2,EDS3,EDS6,EDS7,EDT1,EDT5,EDT6,ED6,EN6,ES3,ES4 ES5,EWS1,EWS3,EWS4,EWS5,VAA,VAEA,VAA1,VMT,VSB1,VSBS,VTE2
5	18330-ZE3-710	PIPE, EX.	1	-	-	-----	EDS,EDS1,EDS2,EDS3,EDS6,EDS7,EDT1,EDT5,EDT6,ES3,ES4,ES5,EWS1,EWS3 EWS4,EWS5,VMT,VSB1,VSBS
			1	-	-	-----	2247975 ED6
			1	-	-	-----	2309854 VSD4
			1	-	-	-----	2643255 VPE4,VPX4
	18330-ZE3-700	1	-	-	-----	EDD2,ED6,EN6,VAA,VAEA,VAA1,VTE2
			1	-	-	-----	2309855 VSD4
6	18333-ZB4-800	GASKET, EX. PIPE	1	-	-	-----	EDD2,EDS,EDS1,EDS2,EDS3,EDS6,EDS7,EDT1,EDT5,EDT6,ED6,EN6,ES3,ES4 ES5,EWS1,EWS3,EWS4,EWS5,VAA,VAEA,VAA1,VMT,VSB1,VSBS,VSD4,VTE2
			1	-	-	-----	2643255 VPE4,VPX4
7	18338-ZE2-V60	STAY A, MUFFLER (TSURUMI) ...	1	-	-	-----	EDD2,EDS7,EDT5,ED6,VTE2
8	18355-ZB4-630	ARRESTER, SPARK	1	-	-	-----	EDD2,EDS,EDS1,EDS2,EDS3,EDS6,EDS7,EDT1,EDT5,EDT6,ED6,EN6,ES3,ES4 EWS1,EWS3,EWS4,EWS5,VAA,VAEA,VAA1,VTE2
			1	-	-	-----	2643255 VPE4,VPX4
9	90183-671-003	SCREW, TAPPING, 4X8	1	-	-	-----	ES3,ES4,EWS1,EWS3,EWS4,EWS5
	90002-ZG0-003	1	-	-	-----	EDS5



ZF60-E1602

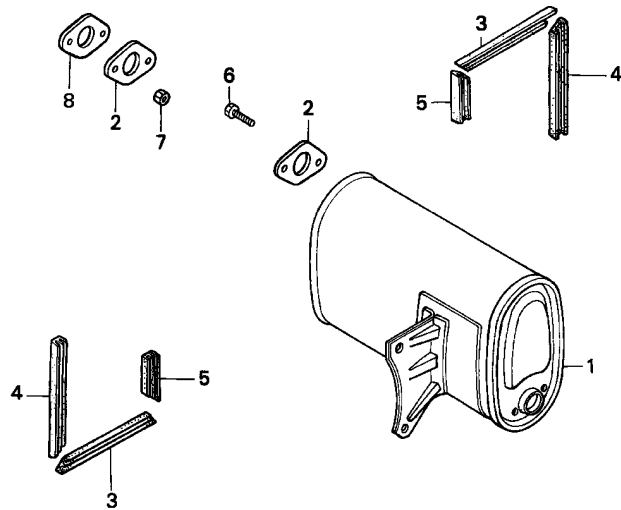
Ref. No.	Part No.	Description	Reqd. QTY			Serial No.	Parts catalogue code
			(1)	(2)	(3)		
(9)	90002-ZE2-U91	SCREW, TAPPING, 4X8	1	-	-	-----	EDD2,EDS,EDS1,EDS2,EDS3,EDS6,EDS7,EDT1,EDT5,EDT6,ED6,EN6,VAA,VAEA VAA1,VTE2
10	94050-08000	NUT, FLANGE, 8MM	1	-	-	-----	2643255 VPE4,VPX4
			2	-	-	-----	EDD2,EDS,EDS1,EDS2,EDS3,EDS6,EDS7,EDT1,EDT5,EDT6,ED6,EN6,ES3,ES4 ES5,EWS1,EWS3,EWS4,EWS5,VAA,VAEA,VAA1,VMT,VSB1,VSB3,VSD4,VTE2
			2	-	-	-----	2643255 VPE4,VPX4
11	94103-08000	WASHER, PLAIN, 8MM	1	-	-	-----	VAA,VAEA,VAA1
12	95701-06010-00	BOLT, FLANGE, 6X10	8	-	-	-----	VAA,VAEA,VAA1,VMT
	95701-06012-00	BOLT, FLANGE, 6X12	8	-	-	-----	EDD2,EDS,EDS1,EDS2,EDS3,EDS6,EDS7,EDT1,EDT5,EDT6,ED6,VTE2
13	95701-08016-08	BOLT, FLANGE, 8X16	2	-	-	-----	VAA,VAEA,VAA1
14	95701-08020-00	BOLT, FLANGE, 8X20	2	-	-	-----	EDD2,EDS,EDS1,EDS2,EDS3,EDS6,EDS7,EDT1,EDT5,EDT6,ED6,EN6,ES3,ES4 EWS1,EWS3,EWS4,EWS5,VAA,VAEA,VAA1,VMT,VSB1,VSB3,VSD4,VTE2
			2	-	-	-----	2643255 VPE4,VPX4
15	18333-ZE3-800	GASKET, EX. PIPE	1	-	-	-----	EDD2,EDS2,EDS6,EDT6,ED6,EN6,ES5,VAA1



E-16-3

MUFFLER(4)

M 4



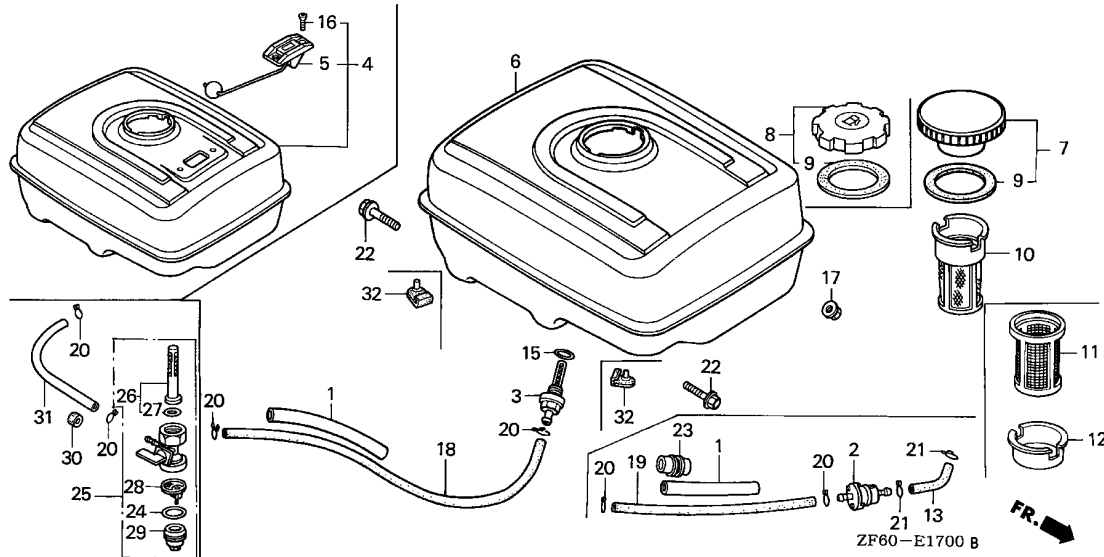
FR.

ZF60-E1603

Service item	F.R.T.
GASKET, EX. PIPE	0.2
.MUFFLER COMP.	
.SEAL, MUFFLER DUCT	

Ref. No.	Part No.	Description	Reqd. QTY			Serial No.	Parts catalogue code
			GX390K1	(1)	(2)		
1	18310-ZB8-003	MUFFLER COMP.	1	-	-	-----	EDS5
2	18333-ZB7-800	GASKET, EX. PIPE	2	-	-	-----	EDS5
3	18412-ZB7-000	SEAL, MUFFLER DUCT (A)	2	-	-	-----	EDS5
4	18413-ZB7-000	SEAL, MUFFLER DUCT (B)	2	-	-	-----	EDS5
5	18414-ZB7-000	SEAL, MUFFLER DUCT (C)	2	-	-	-----	EDS5
6	92101-08028-0A	BOLT, HEX., 8X28	2	-	-	-----	EDS5
7	94001-08000-0S	NUT, HEX., 8MM	2	-	-	-----	EDS5
8	18333-ZE3-800	GASKET, EX. PIPE	(1)	-	-	-----	EDS5

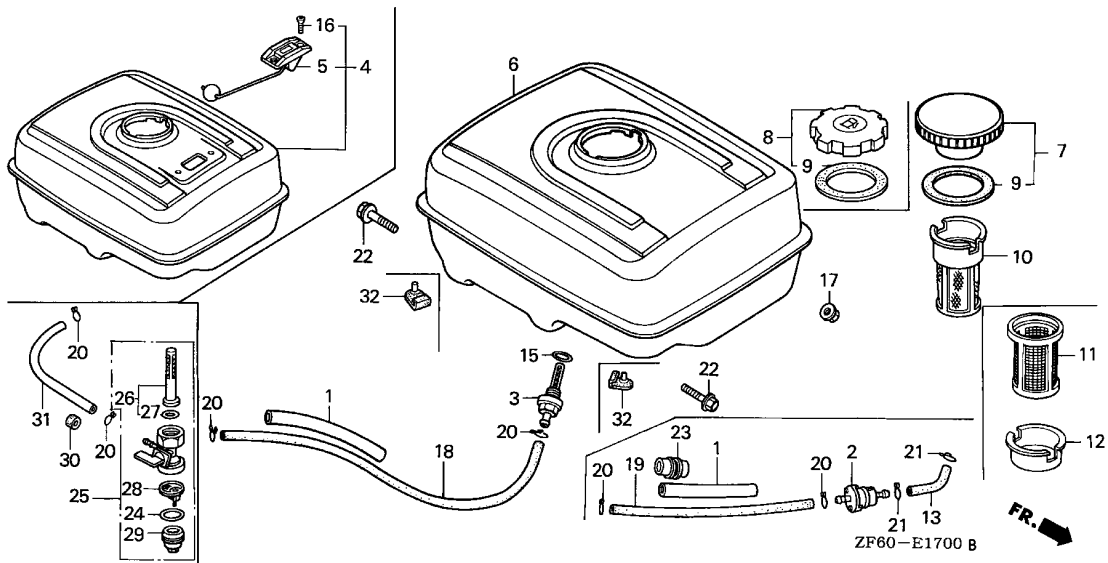
2



Service item	F.R.T.
FILTER, FUEL	0.1
.GAUGE ASSY., FUEL	
.STRAINER COMP., FUEL	
.TUBE, FUEL, 4.5X120	
.TUBE, FUEL, 4.5X150	
COCK ASSY., FUEL	0.2
.FILTER, CUP	
.JOINT, FUEL TANK	
.O-RING, 14MM	
.SCREEN, FUEL STRAINER	
.TANK COMP., FUEL	
.TUBE, FUEL, 4.5X235	

Ref. No.	Part No.	Description	Reqd. QTY			Serial No.	Parts catalogue code
			(1)	(2)	(3)		
1	16854-ZE1-000	RUBBER, SUPPORTER (107MM) ...	1	-	-	BJ, HA, LJ, QA, QAE, QNE, QXC, SHEZ, SJ, VA, VXE, YJ	
			1	-	-	2017198 HH, HX, LH, LHC, LHE, LX, LXE, LXZ, PX, QE, QH, QHC, QHE, QT, QX, QXB, QXE, QXEB	
			-	(1)	-	2053575 SE, SH, SHE, SWE, SWX, SX, SXB, SXE, SXEB, SXP, VE, VH, VHE, VX, VXB, VXEB	
	16854-ZH8-000	1	-	-	ED8, ED9, ES1, HAQ, HA2, HJA, HJA2, LHB1, LHB3, LHP1, LHW, LJG, LKE, LKF1, LMH	
						LP, LT, LTK, LTK1, LDW1, LXE2, LXE4, LXE8, LXQ4, LXU, LX2, PAE2, PA2, PXE, PXE8	
						PXU, QAE2, QAE6, QAW, QA2, QA26, QDW9, QHB3, QHP1, QH2, QKA2, QKA4, QKB2	
						QKE2, QK4, QME0, QMH, QMP, QND, QNE2, QNE6, QNE8, QNE9, QNK, QNR2, QNR6, QN18	
						QP, QWA2, QWA4, QWC4, QWH2, QWT2, QXB7, QXC4, QXC6, QXC9, QXE2, QXE4, QXE6	
						QXE7, QXE8, QXQ4, QXQ7, QXS4, QXU, SCK4, SHB1, SHB3, SHQ4, SHW, SJG, SKA, SKAE	
						SMC1, SMD3, SME0, SME1, SME6, SMX, SM11, SM32, SN, SNC, SNC9, SNT2, STC4, SXB7	
						SXC, SXE4, SXE7, SXE8, SXQ4, SXU, SX2, VAC2, VAG2, VA2, VCN2, VC2, VDB2, VDE1	
						VDE2, VD2, VJE2, VJ2, VKB2, VK2, VMA2, VME2, VMX, VM2, VNG1, VNG2, VN17, VN27	
						VSD, VSD4, VSD7, VTE1, VXB7, VXE2, VXE4, VXE6, VXE7, VXE8, VXF8, VXQ4, VXTB	
						VXU, VXU1, VX8	
			1	-	-	2017199 HH, HX, LH, LHC, LHE, LX, LXE, LXZ, PX, QA, QAE, QE, QH, QHC, QHE, QNE, QT, QX, QXB	
						QXC, QXE, QXEB, SE, SH, SHE, SWE, SWX, SX, SXB, SXE, SXEB, SXP, VA, VE, VH, VHE	
						VX, VXB, VXE, VXEB	
2	16910-ZE8-015	STRAINER COMP., FUEL	1	-	-	VSD4	
	16910-GB2-005	1	-	-	VPE4, VPE7, VPX4, VPX7	

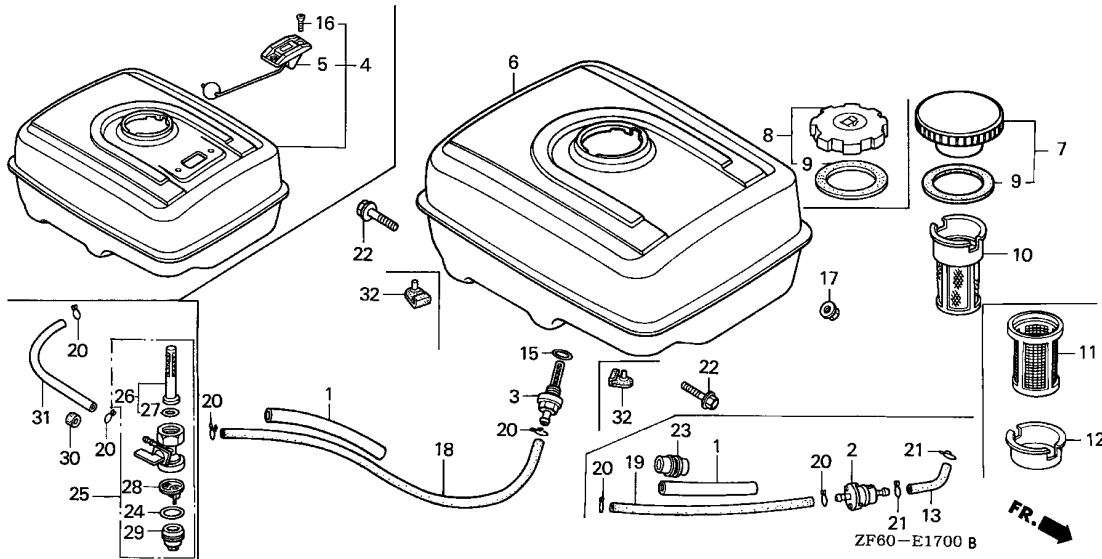




Ref. No.	Part No.	Description	Reqd. QTY			Serial No.	Parts catalogue code
			(1)	(2)	(3)		
3	16955-ZE1-000	JOINT, FUEL TANK	1	-	-	-----	BJ, ED8, ED9, ES1, HA, HAQ, HA2, HH, HJA, HJA2, HX, LH, LHB1, LHB3, LHC, LHE, LHP1, LHW, LJ, LJG, LKE, LKF1, LMH, LP, LT, LTK, LTK1, LWD, LWD1, LX, LXE, LXE2, LXE4, LXE8, LXQ4, LXU, LXZ, LX2, PAE2, PA2, PX, PXE, PXE8, PXU, QA, QAE, QAE2, QAE6, QAQ, QAW, QA2, QA26, QDW9, QE, QH, QHB3, QHC, QHE, QHP1, QH2, QKA2, QKA4, QKE2, QK4, QME0, QMH, QMP, QND, QNE, QNE2, QNE6, QNE8, QNE9, QNK, QNR2, QNR6, QN18, QP, QT, QWA4, QWC4, QWH2, QWT2, QX, QXB, QXB7, QXC, QXC4, QXC6, QXC9, QXE, QXEB, QXE2, QXE4, QXE6, QXE7, QXE8, QXQ4, QXQ7, QXS4, QXU, SCK4, SE, SH, SHB1, SHB3, SHE, SHEZ, SHQ4, SHW, SJ, SJG, SKA, SKAE, SMC1, SMD3, SME0, SME1, SME6, SMX, SM11, SM32, SN, SNC, SNC9, SNT2, STC4, SWE, SWX, SX, SXB, SXB7, SXC, SXE, SXEB, SXE4, SXE7, SXE8, SXP, SXQ4, SXU, SX2, VA, VA2, VE, VH, VHE, VMA2, VME2, VMX, VM2, VSD, VSD7, VTE1, VX, VXB, VXB7, VXE, VXEB, VXE2, VXE4, VXE6, VXE7, VXE8, VXFV, VXQ4, VXTB, VXU, VXU1, VX8, YJ
4	17500-ZE3-811ZA	TANK ASSY., FUEL (GAUGE) *NH31*.....MCKINLEY WHITE	1	-	-	-----	LJG, LKF1, LTK, LTK1, LWD, SHW, SJG, SKA, SKAE, STC4, VMX
	17500-ZE3-811ZB	*R165*.....JOLLY RED	1	-	-	-----	LWD1
	17500-ZE3-811ZE	*NH105*...MAT BLACK (#15-#20)	1	-	-	-----	VME2, VM2
5	17505-ZE2-013	GAUGE ASSY., FUEL	1	-	-	-----	LJG, LKF1, LTK, LTK1, LWD, LWD1, SHW, SJG, SKA, SKAE, STC4, VME2, VMX, VM2

Ref. No.	Part No.	Description	Reqd. QTY			Serial No.	Parts catalogue code
			GX390K1	(1)	(2)		
6	17510-ZE3-010ZA	TANK COMP., FUEL *NH31*.....MCKINLEY WHITE	1	-	-	-----	BJ,ED8,ED9,HA,HAQ,HA2,HH,HJA,HJA2,HX,LH,LHB1,LHB3,LHC,LHE,LHP1 LHW,LJ,LKE,LMH,LP,LT,LX,LXE,LXE2,LXE4,LXE8,LXQ4,LXU,LXZ,LX2,PAE2 PA2,PX,PXE,PXE8,PXU,QA,QAE,QAE2,QAE6,QAQ,QAW,QA2,QA26,QE,QH,QHB3 QHC,QHE,QHP1,QH2,QKA2,QKA4,QKE2,QK4,QMEO,QMH,QMP,QND,QNE,QNE2 QNE6,QNE8,QNE9,QNK,QNR2,QNR6,QN18,QP,QT,QX,QXB,QXB7,QXC,QXC4,QXC6 QXC9,QXE,QXEB,QXE2,QXE4,QXE6,QXE7,QXE8,QXQ4,QXQ7,QXS4,QXU,SCK4,SE SH,SHB1,SHB3,SHE,SHEZ,SHQ4,SJ,SMC1,SMD3,SME0,SME1,SME6,SMX,SM11 SN,SNC,SNC9,SNT2,SWE,SWX,SX,SXB,SXB7,SXC,SXE,SXEB,SXE4,SXE7,SXE8 SXP,SXQ4,SXU,SX2,VA,VA2,VE,VH,VHE,VMA2,VSD,VSD7,VTE1,VX,VXB,VXB7 VXE,VXEB,VXE2,VXE4,VXE6,VXE7,VXE8,VXFB,VXQ4,VXTB,VXU,VXU1,VX8,YJ
	17510-ZE3-010ZB	*NH1*.....BLACK	1	-	-	-----	ED9,HAQ,QAQ,QA2,QDW9,QNE9,QNR2,QWA4,QWC4,QWH2,QWT2,QXC9,QXQ4,SME6 SM32,VSD7
	17510-ZE3-010ZC	*R8*.....BRIGHT RED	1	-	-	-----	ES1
	17510-ZE3-010ZD	*T34*.....SIMPSON BLUE	1	-	-	-----	QA2
	17510-ZE3-010ZE	*NH105*...MAT BLACK (#15-#20)	1	-	-	-----	VXE2,VXE4,VXE7
7	17620-ZE2-W00	CAP COMP., FUEL FILLER	1	-	-	-----	LHB1,LHB3,LT,QHB3,QMP,SHB1,SHB3
			1	-	-	2121083	BJ,ED8,ES1,HA,HAQ,HH,HJA,HX,LH,LHC,LHE,LJ,LWD,LX,LXE,LXZ,PX,QA QAE,QAQ,QE,QH,QHC,QHE,QNE,QNE9,QP,QT,QX,QXB,QXC,QXE,QXEB,SE,SH SHE,SHEZ,SJ,SN,SNC,SWE,SWX,SX,SXB,SXE,SXEB,SXP,VA,VE,VH,VHE,VMX VSD,VX,VXB,VXE,VXEB,VXU,VXU1,YJ
			1	-	-	2332134	LKF1
			-	(1)	-	2121083	
8	17620-ZH7-013	CAP COMP., FUEL FILLER	1	(1)	-	2121084	QT,SHEZ,V1
			1	(1)	-	2121084	2336191 BJ,ED8,ES1,HA,HAQ,HH,HJA,HX,LH,LHC,LHE,LJ,LWD,LX,LXE,LXZ,L1,PX,QA QAE,QAQ,QE,QH,QHC,QHE,QNE,QNE9,QP,QX,QXB,QXC,QXE,QXEB,Q1,SE,SH SHE,SJ,SN,SNC,SWE,SWX,SX,SXB,SXE,SXEB,SXP,S1,VA,VE,VH,VHE,VMX,VSD VX,VXB,VXE,VXEB,VXU,VXU1,YJ
			1	-	-	-----	LXE8,LXU,PXE8,PXU,QXE8,QXU,SXE8,SXU,VXE8,VX8
			1	-	-	2336191	ED9,HA2,HJA2,LHP1,LJG,LTK,LXE2,LXE4,LXQ4,LX2,PXE,QAE2,QAE6,QA2 QA26,QDW9,QHP1,QH2,QKA2,QKA4,QKE2,QMEO,QNE2,QNE6,QNR2,QN18,QXC4 QXC6,QXC9,QXE2,QXE4,QXE6,QXQ4,SCK4,SHQ4,SHW,SJG,SKA,SMC1,SMD3 SME0,SME6,SNC9,SNT2,STC4,SXE4,SXQ4,SX2,VA2,VMA2,VXE2,VXE4,VXQ4
			1	-	-	2332135	2336191 LKF1
	17620-ZH7-023	1	(1)	-	2336192	BJ,ED8,ED9,ES1,HA,HAQ,HA2,HH,HJA,HJA2,HX,LH,LHC,LHE,LHP1,LJ,LJG LKF1,LTK,LWD,LX,LXE,LXE2,LXE4,LXQ4,LXZ,LX2,L1,PX,PXE,QA,QAE,QAE2 QAE6,QAQ,QA2,QA26,QDW9,QE,QH,QHC,QHE,QHP1,QH2,QKA2,QKA4,QKE2,QMEO QNE,QNE2,QNE6,QNE9,QNR2,QN18,QP,QX,QXB,QXC,QXC4,QXC6,QXC9,QXE QXEB,QXE2,QXE4,QXE6,QXQ4,Q1,SCK4,SE,SH,SHE,SHQ4,SHW,SJ,SJG,SKA SMC1,SMD3,SME0,SME6,SN,SNC,SNC9,SNT2,STC4,SWA4,SWE,SWX,SX,SXB,SXE SXEB,SXE4,SXP,SXQ4,SX2,S1,VA,VA2,VE,VH,VHE,VMA2,VMX,VSD,VX,VXB VXE,VXEB,VXE2,VXE4,VXQ4,VXU,VXU1,YJ
			1	-	-	-----	LHW,LKE,LMH,LP,LTK1,LWD1,LXE8,LXU,PAE2,PA2,PXE8,PXU,QAW,QK4,QMH QND,QNE8,QNK,QNR6,QWA4,QWC4,QWH2,QWT2,QXB7,QXE7,QXE8,QXQ7,QXS4 QXU,SKAE,SME1,SMX,SM11,SM32,SXB7,SXC,SXE7,SXE8,SXU,VME2,VM2,VSD7 VTE1,VXB7,VXE6,VXE7,VXE8,VXFB,VXTB,VX8

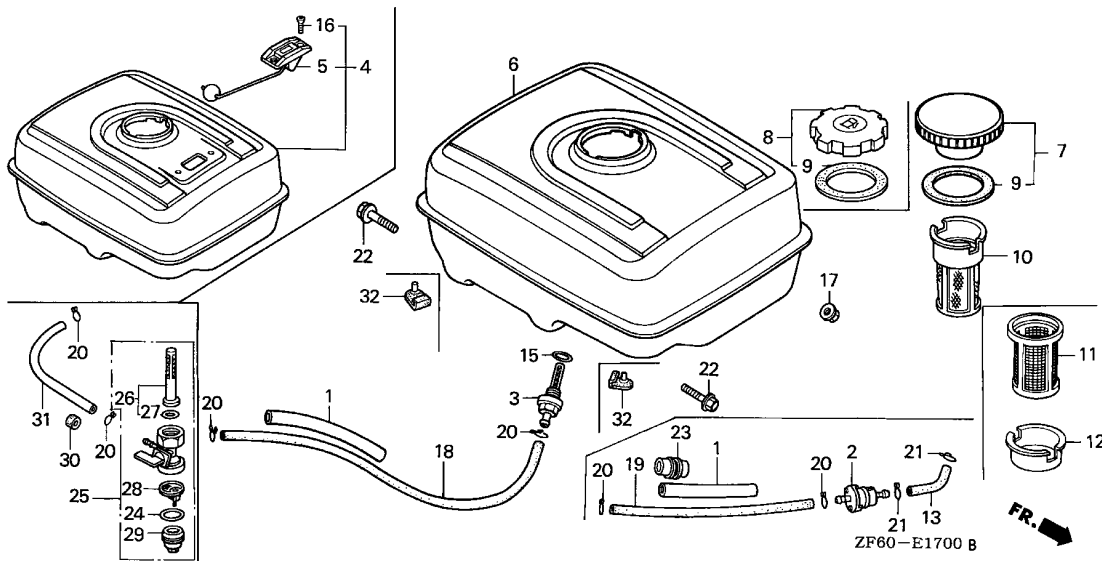




Ref. No.	Part No.	Description	Reqd. QTY GX390K1 (1) (2) (3)	Serial No.	Parts catalogue code
9	17631-ZH7-003	PACKING, FUEL FILLER CAP	1	-	ED9,HA2,HJA2,LHP1,LHW,LJG,LKE,LMH,LP,LTK, LTK1,LWD1,LXE2,LXE4,LXE8,LXQ4,LXU,LX2,PAE2,PA2,PXE,PXE8,PXU,QAE2,QAE6,QAW,QA2,QA26,QDW9,QHP1,QH2,QKA2,QKA4,QKE2,QK4,QMEO,QMH,QND,QNE2,QNE6,QNE8,QNK,QNR2,QNR6,QN18,QWA4,QWC4,QWH2,QWT2,QXB7,QXC4,QXC6,QXC9,QXE2,QXE4,QXE6,QXE7,QXE8,QXQ4,QXQ7,QXS4,QXU,SCK4,SHQ4,SHW,SJG,SKA,SKAE,SMC1,SMD3,SME0,SME1,SME6,SMX,SM11,SM32,SNC9,SNT2,STC4,SXB7,SXC,SXE4,SXE7,SXE8,SXQ4,SXU,SX2,VA2,VMA2,VME2,VM2,VSD7,VTE1,VXB7,VXE2,VXE4,VXE6,VXE7,VXE8,VXFB,VXQ4,VXTB,VX8
			1	2121084	BJ,ED8,ES1,HA,HAQ,HH,HJA,HX,LH,LHC,LHE,LJ,LWD,LX,LXE,LXZ,PX,QA,QAE,QAQ,QE,QH,QHC,QHE,QNE,QNE9,QP,QT,QX,QXB,QXC,QXE,QXEB,SE,SH,SHE,SHEZ,SJ,SN,SNC,SWE,SWX,SX,SXB,SXE,SXEB,SXP,VA,VE,VH,VHE,VMX,VSD,VX,VXB,VXE,VXEB,VXU,VXU1,YJ
			1	2332135	LKF1
			-	2121084	
	17631-329-003	1	-	LHB1,LHB3,LT,QHB3,QMP,SHB1,SHB3
			1	2121083	BJ,ED8,ES1,HA,HAQ,HH,HJA,HX,LH,LHC,LHE,LJ,LWD,LX,LXE,LXZ,PX,QA,QAE,QAQ,QE,QH,QHC,QHE,QNE,QNE9,QP,QT,QX,QXB,QXC,QXE,QXEB,SE,SH,SHE,SHEZ,SJ,SN,SNC,SWE,SWX,SX,SXB,SXE,SXEB,SXP,VA,VE,VH,VHE,VMX,VSD,VX,VXB,VXE,VXEB,VXU,VXU1,YJ
			1	2332134	LKF1
			-	2121083	
10	17672-ZE2-W00	FILTER, FUEL	1	-	QA,QAE,QE,QNE,QP,QT,SE,SWX,VA,VE
			-	(1)	2042308
			-	(1)	2042308

Ref. No.	Part No.	Description	Reqd. QTY			Serial No.	Parts catalogue code
			GX390K1	(1)	(2)		
10)	17672-ZE2-W01	FILTER, FUEL	1	-	-	-----	ED9,HA2,HJA2,LHB3,LHW,LJG,LKF1,LT,LTK, LTK1,PAE2,PA2,QAE2,QAE6,QAW QA2,QA26,QHB3,QKA2,QKE2,QK4,QND,QNE2,QNE6,QNE8,QNK,QNR2,QNR6,QN18 SHB3,SHW,SJG,SKA,SMC1,SMD3,SME1,SMX,SM11,SM32,SNC9,SNT2,STC4,VA2 VMA2,VME2,VM2
			1	-	-	2074761	----- ED8
			1	-	-	2081121	----- BJ,ES1,HA,HAQ,HJA,LJ,LWD,QA,QAE,QAQ,QE,QNE,QNE9,QP,QT,SE,SJ,SNC SWX,VA,VE,YJ
			-	(1)	-	2081121	
11	17672-880-000	FILTER, FUEL	1	-	-	-----	SKAE,SXC
			1	-	-	2081120	----- BJ,ES1,HA,HAQ,HJA,LJ,LWD,QA,QAE,QAQ,QNE,QNE9,SJ,SNC,VA,YJ
			1	-	-	2042309	----- QE,QP,QT,SE,SWX,VE
			-	(1)	-	2042309	----- 2081120
12	17673-893-000	HOLDER, FUEL FILTER	1	-	-	-----	SKAE,SXC
			1	-	-	2081120	----- BJ,ES1,HA,HAQ,HJA,LJ,LWD,QA,QAE,QAQ,QNE,QNE9,SJ,SNC,VA,YJ
			1	-	-	2042309	----- QE,QP,QT,SE,SWX,VE
			-	(1)	-	2042309	----- 2081120
13	17701-ZK6-U30	TUBE, FUEL, 6.5X50	1	-	-	-----	VSD4
	95001-45150-40	TUBE, FUEL, 4.5X150 (95001-45001-60M)	1	-	-	-----	2643255
15	91353-671-004	O-RING, 14MM(NOK)	1	-	-	-----	VPE4,VPX4
			1	-	-	-----	BJ,ED8,ED9,ES1,HA,HAQ,HA2,HH,HJA,HJA2,HX,LH,LHB1,LHB3,LHC,LHE LHP1,LHW,LJ,LJG,LKE,LKF1,LMH,LP,LT,LTK,LTK1,LWD,LWD1,LX,LXE,LXE2 LXE4,LXE8,LXQ4,LXU,LXZ,LX2,PAE2,PA2,PX,PXE,PXE8,PXU,QA,QAE,QAE2 QAE6,QAQ,QAW,QA2,QA26,QDW9,QE,QH,QHB3,QHC,QHE,QHP1,QH2,QKA2,QKA4 QKE2,QK4,QMED,QMH,QMP,QND,QNE,QNE2,QNE6,QNE8,QNE9,QNK,QNR2,QNR6 QN18,QP,QT,QWA4,QWC4,QWH2,QWT2,QX,QXB,QXB7,QXC,QXC4,QXC6,QXC9,QXE QXEB,QXE2,QXE4,QXE6,QXE7,QXE8,QXQ4,QXQ7,QXS4,QXU,SCK4,SE,SH,SHB1 SHB3,SHE,SHEZ,SHQ4,SHW,SJ,SJG,SKA,SKAE,SMC1,SMD3,SMED,SME1,SME6 SMX,SM11,SM32,SN,SNC,SNC9,SNT2,STC4,SWE,SWX,SX,SXB,SXB7,SXC,SXE SXEB,SXE4,SXE7,SXE8,SXP,SXQ4,SXU,SX2,VA,VA2,VD2,VE,VH,VHE,VJE2 VJ2,VMA2,VME2,VMX,VM2,VSD,VSD4,VSD7,VTE1,VX,VXB,VXB7,VXE,VXEB VXE2,VXE4,VXE6,VXE7,VXE8,VXFB,VXQ4,VXTB,VXU,VXU1,VX8,YJ
			-	(1)	-		
16	93600-05010-0A	SCREW, FLAT, 5X10	2	-	-	-----	LJG,LKF1,LTK,LTK1,LWD,LWD1,SHW,SJG,SKA,SKAE,STC4,VME2,VMX,VM2
			-	(2)	-		
17	94050-08000	NUT, FLANGE, 8MM	2	-	-	-----	BJ,ED8,ED9,ES1,HA,HAQ,HA2,HH,HJA,HJA2,HX,LH,LHB1,LHB3,LHC,LHE LHP1,LHW,LJ,LJG,LKE,LKF1,LMH,LP,LT,LTK,LTK1,LWD,LWD1,LX,LXE,LXE2 LXE4,LXE8,LXQ4,LXU,LXZ,LX2,PAE2,PA2,PX,PXE,PXE8,PXU,QA,QAE,QAE2 QAE6,QAQ,QAW,QA2,QA26,QDW9,QE,QH,QHB3,QHC,QHE,QHP1,QH2,QKA2,QKA4 QKE2,QK4,QMED,QMH,QMP,QND,QNE,QNE2,QNE6,QNE8,QNE9,QNK,QNR2,QNR6 QN18,QP,QT,QWA4,QWC4,QWH2,QWT2,QX,QXB,QXB7,QXC,QXC4,QXC6,QXC9,QXE QXEB,QXE2,QXE4,QXE6,QXE7,QXE8,QXQ4,QXQ7,QXS4,QXU,SCK4,SE,SH,SHB1 SHB3,SHE,SHEZ,SHQ4,SHW,SJ,SJG,SKA,SKAE,SMC1,SMD3,SMED,SME1,SME6 SMX,SM11,SM32,SN,SNC,SNC9,SNT2,STC4,SWE,SWX,SX,SXB,SXB7,SXC,SXE SXEB,SXE4,SXE7,SXE8,SXP,SXQ4,SXU,SX2,VA,VA2,VC2,VE,VH,VHE,VMA2 VME2,VMX,VM2,VSD,VSD7,VTE1,VX,VXB,VXB7,VXE,VXEB,VXE2,VXE4,VXE6 VXE7,VXE8,VXFB,VXQ4,VXTB,VXU,VXU1,VX8,YJ
			-	(2)	-		





Ref. No.	Part No.	Description	Reqd. QTY GX390K1 (1) (2) (3)	Serial No.	Parts catalogue code
18	95001-45235-40	TUBE, FUEL, 4.5X235 (95001-45001-60M)	1	- - - - -	BJ, ED8, ED9, ES1, HA, HAQ, HA2, HH, HJA, HJA2, HX, LH, LHB1, LHB3, LHC, LHE, LHP1, LHW, LJ, LJG, LKE, LKF1, LMH, LP, LT, LTK, LTK1, LWD, LWD1, LX, LXE, LXE2, LXE4, LXE8, LXQ4, LXU, LXZ, LX2, PAE2, PA2, PX, PXE, PXE8, PXU, QA, QAE, QAE2, QAE6, QAQ, QAW, QA2, QA26, QDW9, QE, QH, QHB3, QHC, QHE, QHP1, QH2, QKA2, QKA4, QKB2, QKE2, QK4, QMED, QMH, QMP, QND, QNE, QNE2, QNE6, QNE8, QNE9, QNK, QNR2, QNR6, QN18, QP, QT, QWA2, QWA4, QWC4, QWH2, QWT2, QX, QXB, QXB7, QXC, QXC4, QXC6, QXC9, QXE, QXEB, QXE2, QXE4, QXE6, QXE7, QXE8, QXQ4, QXQ7, QXS4, QXU, SCK4, SE, SH, SHB1, SHB3, SHE, SHEZ, SHQ4, SHW, SJ, SJG, SKA, SKAE, SMC1, SMD3, SME0, SME1, SME6, SMX, SM11, SM32, SN, SNC, SNC9, SNT2, STC4, SWE, SWX, SX, SXB, SXB7, SXC, SXE, SXEB, SXE4, SXE7, SXE8, SXP, SXQ4, SXU, SX2, VA, VAC2, VAG2, VA2, VC2, VDB2, VDE1, VDE2, VD2, VE, VH, VHE, VJE2, VJ2, VKB2, VK2, VMA2, VME2, VMX, VM2, VNG1, VNG2, VN17, VN27, VSD, VSD7, VTE1, VX, VXB, VXB7, VXE, VXEB, VXE2, VXE4, VXE6, VXE7, VXE8, VXF8, VXQ4, VXTB, VXU, VXU1, VX8, YJ
	95001-45430-40	TUBE, FUEL, 4.5X430 (95001-45001-60M)	1	- - - - -	VCN2
	95001-55200-40	TUBE, FUEL, 5.3X200 (95001-55001-60M)	1	- - - - -	2319243 ZK1
	95001-55240-40	TUBE, FUEL, 5.3X240 (95001-55001-60M)	1	- - - - -	2319244 ZK1
19	95001-45120-40	TUBE, FUEL, 4.5X120 (95001-45001-60M)	1	- - - - -	2643255 VPE4, VPX4
	95001-45250-40	TUBE, FUEL, 4.5X250 (95001-45001-60M)	1	- - - - -	VSD4
	95001-45180-40	TUBE, FUEL, 4.5X180 (95001-45001-60M)	1	- - - - -	VPE7, VPX7
			1	- - - - -	2643256 VPE4, VPX4

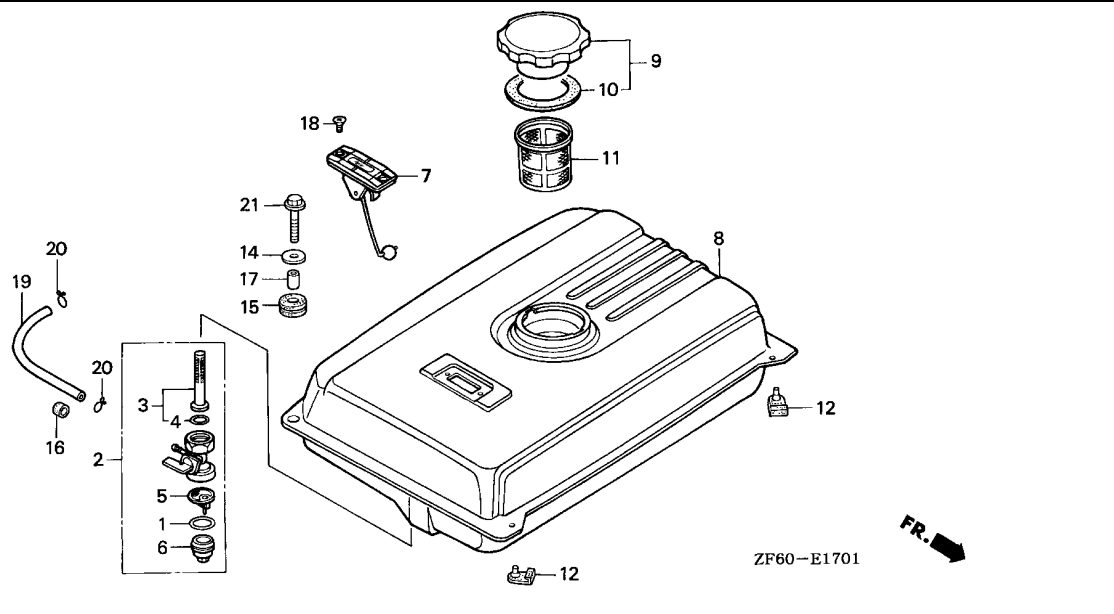
Ref. No.	Part No.	Description	Reqd. QTY			Serial No.	Parts catalogue code
			(1)	(2)	(3)		
20	95002-02080	CLIP, TUBE (B8)	2	-	-	-----	BJ,EDS1,EDT1,ED8,ED9,ES1,HA,HAQ,HA2,HH,HJA,HJA2,HX,LH,LHB1,LHB3,LHC,LHE,LHP1,LHW,LJ,LJG,LKE,LKF1,LMH,LP,LT,LTK,LTK1,LWD,LWD1,LX,LXE,LXE2,LXE4,LXE8,LXQ4,LXU,LXZ,LX2,PAE2,PA2,PXE,PXE8,PXU,QA,QAE,QAE2,QAE6,QAQ,QAW,QA2,QA26,QDW9,QE,QH,QHB3,QHC,QHE,QHP1,QH2,QKA2,QKA4,QKB2,QKE2,QK4,QMEO,QMH,QMP,QND,QNE,QNE2,QNE6,QNE8,QNE9,QNK,QNR2,QNR6,QN18,QP,QT,QWA2,QWA4,QWC4,QWH2,QWT2,QX,QXB,QXB7,QXC,QXC4,QXC6,QXC9,QXE,QXEB,QXE2,QXE4,QXE6,QXE7,QXE8,QXQ4,QXQ7,QXS4,QXU,SCK4,SE,SH,SHB1,SHB3,SHE,SHEZ,SHQ4,SHW,SJ,SJG,SKA,SKAE,SMC1,SMD3,SME0,SME1,SME6,SMX,SM11,SM32,SN,SNC,SNC9,SNT2,STC4,SWE,SWX,SX,SXB,SXB7,SXC,SXE,SXEB,SXE4,SXE7,SXE8,SXP,SXQ4,SXU,SX2,VA,VAC2,VAG2,VA2,VCN2,VC2,VDB2,VDE1,VDE2,VD2,VE,VH,VHE,VJE2,VJ2,VKB2,VK2,VMA2,VME2,VMX,VM2,VNG1,VNG2,VN17,VN27,VPE4,VPE7,VPX4,VPX7,VSD,VSD4,VSD7,VTE1,VX,VXB,VXB7,VXE,VXEB,VXE2,VXE4,VXE6,VXE7,VXE8,VXFB,VXQ4,VXTB,VXU,VXU1,VX8,YJ
	90603-ZV4-000	CLIP, TUBE (B10)	2	(2)	-	-----	ZK1
21	95002-70000	CLIP, TUBE (C11)	2	-	-	-----	VSD4
	95002-02080	CLIP, TUBE (B8)	2	-	-	-----	2643255 VPE4,VPX4
22	95900-08025-00	BOLT, FLANGE, 8X25	2	-	-	-----	BJ,HH,HX,LH,LHC,LHE,LJ,LWD,LX,LXE,LXE8,LXU,LXZ,PX,PXU,QA,QAE,QE,QH,QHC,QHE,QNE,QT,QX,QXB,QXC,QXE,QXEB,QXE8,QXU,SE,SH,SHE,SHEZ,SJ,SWX,SX,SXB,SXE,SXEB,SXE8,SXP,SXU,VA,VE,VH,VHE,VX,VXB,VXE,VXEB,YJ
	95701-08025-00	2	(2)	-	-----	ED8,ED9,ES1,HA,HAQ,HA2,HJA,HJA2,LHB1,LHB3,LHP1,LHW,LJG,LKE,LKF1,LMH,LP,LT,LTK,LTK1,LXE2,LXE4,LXQ4,LX2,PAE2,PA2,PXE,PXE8,QAE2,QAE6,QAQ,QAW,QA2,QA26,QDW9,QHB3,QHP1,QH2,QKA2,QKA4,QKE2,QK4,QMEO,QMH,QMP,QND,QNE2,QNE6,QNE8,QNE9,QNK,QNR2,QNR6,QN18,QP,QWA4,QWC4,QWH2,QWT2,QXB7,QXC4,QXC6,QXC9,QXE2,QXE4,QXE6,QXE7,QXQ4,QXQ7,QXS4,SCK4,SHB1,SHB3,SHQ4,SHW,SJG,SKA,SKAE,SMC1,SMD3,SME0,SME1,SME6,SMX,SM11,SM32,SN,SNC,SNC9,SNT2,STC4,SWE,SXB7,SXC,SXE4,SXE7,SXQ4,SX2,VA2,VMA2,VME2,VMX,VM2,VSD,VSD7,VTE1,VXB7,VXE2,VXE4,VXE6,VXE7,VXE8,VXFB,VXQ4,VXTB,VXU,VXU1,VX8
	95701-08028-00	BOLT, FLANGE, 8X28	2	-	-	-----	LWD1
23	90854-ZB3-000	RUBBER, FUEL (9X15X20)	1	-	-	-----	VPE4,VPE7,VPX4,VPX7
24	16173-001-004	PACKING, FUEL STRAINER CUP ..	1	-	-	-----	EDS1,EDT1
25	16950-ZB4-015	COCK ASSY., FUEL	1	-	-	-----	EDS1,EDT1
26	16952-ZB4-005	SCREEN, FUEL STRAINER	1	-	-	-----	EDS1,EDT1
27	16958-397-771	O-RING	1	-	-	-----	EDS1,EDT1
28	16959-471-831	FILTER, CUP	1	-	-	-----	EDS1,EDT1
29	16967-GA6-671	CUP, FUEL STRAINER	1	-	-	-----	EDS1,EDT1
30	90854-ZB2-000	RUBBER, FUEL (9X15X10)	1	-	-	-----	EDS1,EDT1
31	95001-45150-40	TUBE, FUEL, 4.5X150 (95001-45001-60M)	1	-	-	-----	EDS1,EDT1
32	50319-ZB2-000	RUBBER, TANK MOUNTING	2	-	-	-----	EDS1,EDT1



E-17-1

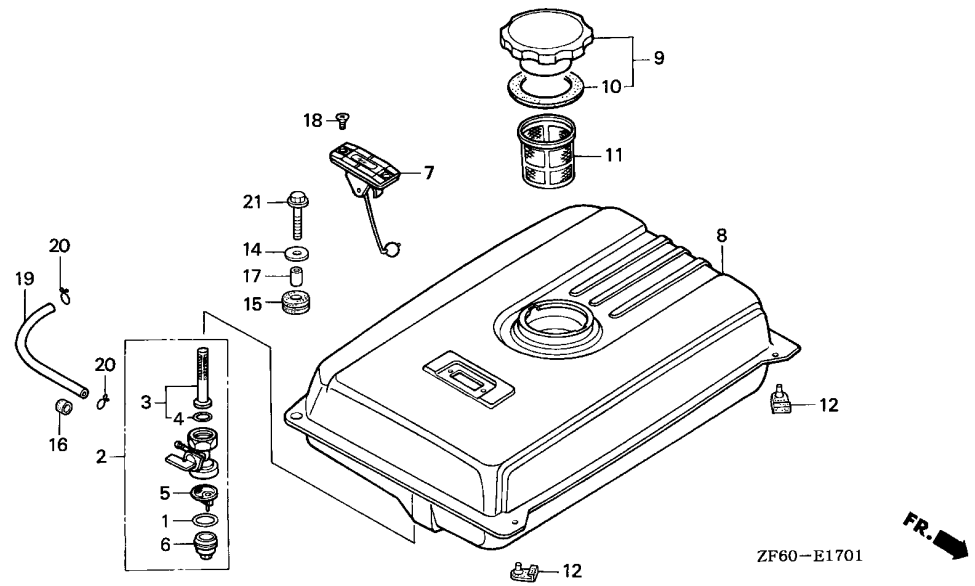
FUEL TANK(2)

M12



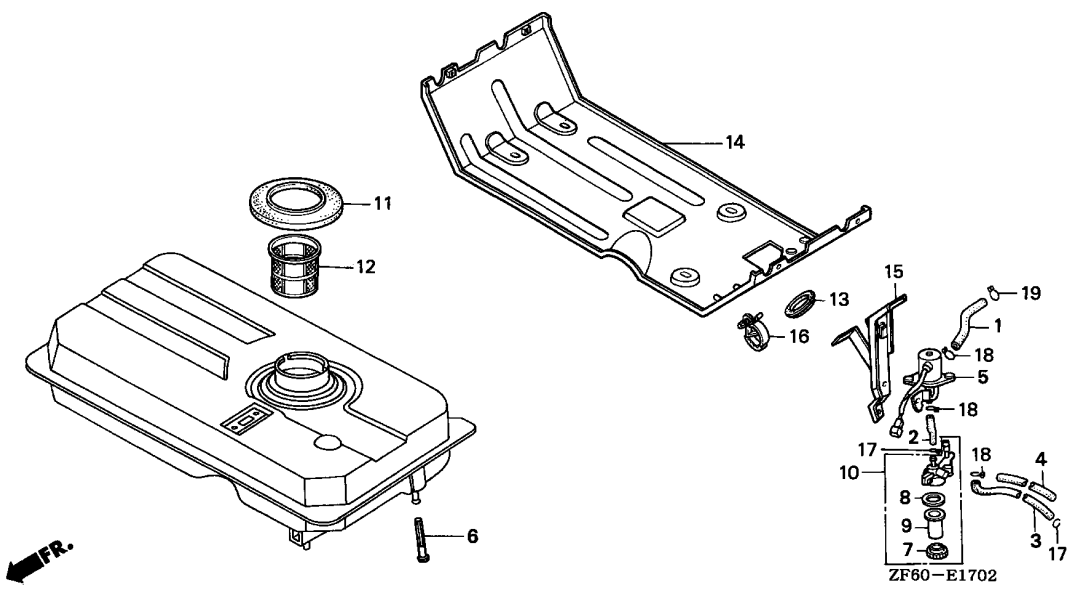
Service item	F.R.T.
FILTER COMP., FUEL	0.1
.METER ASSY., FUEL	
COCK ASSY., FUEL	0.2
.FILTER, CUP	
.SCREEN, FUEL STRAINER	
.TUBE, FUEL, 4.5X150	
TANK COMP., FUEL	0.3

Ref. No.	Part No.	Description	Reqd. QTY			Serial No.	Parts catalogue code
			GX390K1	(1)	(2)		
1	16173-001-004	PACKING, FUEL STRAINER CUP ..	1	-	-	-----	EDD2,EDS,EDS1,EDS2,EDS3,EDS6,EDS7,EDT1,EDT5,EDT6,ED6,ES3,ES4,ES5 EWS1,EWS3,EWS4,EWS5,VAA,VAE,VAA1,VMT, VSB1, VSB3, VTE2
2	16950-ZB4-015	COCK ASSY., FUEL	1	-	-	-----	EDD2,EDS,EDS1,EDS2,EDS3,EDS6,EDS7,EDT1,EDT5,EDT6,ED6,ES3,ES4,ES5 EWS1,EWS3,EWS4,EWS5,VAA,VAE,VAA1,VMT, VSB1, VSB3, VTE2
3	16952-ZB4-005	SCREEN, FUEL STRAINER	1	-	-	-----	EDD2,EDS,EDS1,EDS2,EDS3,EDS6,EDS7,EDT1,EDT5,EDT6,ED6,ES3,ES4,ES5 EWS1,EWS3,EWS4,EWS5,VAA,VAE,VAA1,VMT, VSB1, VSB3, VTE2
4	16958-397-771	O-RING	1	-	-	-----	EDD2,EDS,EDS1,EDS2,EDS3,EDS6,EDS7,EDT1,EDT5,EDT6,ED6,ES3,ES4,ES5 EWS1,EWS3,EWS4,EWS5,VAA,VAE,VAA1,VMT, VSB1, VSB3, VTE2
5	16959-471-831	FILTER, CUP	1	-	-	-----	EDD2,EDS,EDS1,EDS2,EDS3,EDS6,EDS7,EDT1,EDT5,EDT6,ED6,ES3,ES4,ES5 EWS1,EWS3,EWS4,EWS5,VAA,VAE,VAA1,VMT, VSB1, VSB3, VTE2
6	16967-GA6-671	CUP, FUEL STRAINER	1	-	-	-----	EDD2,EDS,EDS1,EDS2,EDS3,EDS6,EDS7,EDT1,EDT5,EDT6,ED6,ES3,ES4,ES5 EWS1,EWS3,EWS4,EWS5,VAA,VAE,VAA1,VMT, VSB1, VSB3, VTE2
7	17505-ZB2-003	METER ASSY., FUEL	1	-	-	-----	EDD2,EDS,EDS5,ED6,ES5,VAA,VAE,VAA1,VMT, VSB1, VSB3, VTE2
8	17510-ZB4-000ZC	TANK COMP., FUEL					
	17510-ZB7-000	*NH1*.....BLACK	1	-	-	-----	ED6
	17510-ZC2-000ZC	*R8*.....BRIGHT RED	1	-	-	-----	EDS5
	17510-ZB4-000ZB	*R8*.....BRIGHT RED	1	-	-	-----	VAA,VAE,VAA1
	17510-ZB4-000ZE	*T68*.....TSURUMI BLUE	1	-	-	-----	EDD2,EDS,ED6,VTE2
	17510-ZB4-000ZF	*Y131*.....LIGHTNING YELLOW	1	-	-	-----	2975349 VMT
9	17620-899-013	CAP COMP., FUEL FILLER	1	-	-	-----	EDD2,ED6
10	17631-899-000	PACKING, FUEL FILLER CAP	1	-	-	-----	EDD2,EDS,EDS5,ED6,ES5,VAA,VAE,VAA1,VMT, VSB1, VSB3, VTE2
11	17672-899-000	FILTER, FUEL	1	-	-	-----	VAA,VAE,VAA1,VMT
	17670-899-000	FILTER COMP., FUEL	1	-	-	-----	EDD2,EDS,ED6,ES3,ES5, VSB1, VSB3, VTE2
12	50319-ZB2-000	RUBBER, TANK MOUNTING	2	-	-	-----	EDD2,EDS,EDS2,EDS6,EDS7,EDT5,EDT6,ED6,ES5,VAA,VAE,VAA1,VMT, VSB1, VSB3, VTE2



Ref. No.	Part No.	Description	Reqd. QTY			Serial No.	Parts catalogue code
			GX390K1	(1)	(2)		
14	90503-898-000	WASHER, TANK CUSHION	2	-	-	EDD2,EDS,ED6,ES5,VAA,VA AE,VAA1, VSB1, VSB3, VTE2	
15	90851-898-000	RUBBER, TANK CUSHION	2	-	-	EDD2,EDS,ED6,ES5,VAA,VA AE,VAA1, VMT, VSB1, VSB3, VTE2	
16	90854-ZB2-000	RUBBER, FUEL (9X15X10)	1	-	-	EDD2,EDS,EDS2,EDS6,EDS7,EDT5,EDT6,ED6,ES5,VAA1,VMT, VSB1, VSB3, VTE2	
			1	-	2143012	VAA	
17	91551-898-000	COLLAR, TANK CUSHION	2	-	-	EDD2,EDS,ED6,ES5,VAA,VA AE,VAA1, VMT, VSB1, VSB3, VTE2	
18	93600-05010-0A	SCREW, FLAT, 5X10	1	-	-	EDD2,EDS,EDS5,ED6,ES5,VAA,VA AE,VAA1, VMT, VSB1, VSB3, VTE2	
19	95001-45150-40	TUBE, FUEL, 4.5X150 (95001-45001-60M)	1	-	-	EDS,EDS2,EDS6,EDS7,EDT1,EDT5,EDT6,ED6,ES5, VSB1, VSB3	
	95001-45260-40	TUBE, FUEL, 4.5X260 (95001-45001-60M)	1	-	-	EDD2	
			1	-	2284331	ED6	
	95001-45190-40	TUBE, FUEL, 4.5X190 (95001-45001-60M)	1	-	-	VTE2	
			1	-	2284332	ED6	
	95001-45250-40	TUBE, FUEL, 4.5X250 (95001-45001-60M)	1	-	-	VMT	
	95001-45165-40	TUBE, FUEL, 4.5X165 (95001-45001-60M)	1	-	-	EN6	
20	95002-02080	CLIP, TUBE (B8)	2	-	-	EDD2,EDS,EDS2,EDS6,EDS7,EDT5,EDT6,ED6,EN6,ES5, VMT, VSB1, VSB3, VTE2	
21	95701-06022-00	BOLT, FLANGE, 6X22	1	-	-	EDD2,EDS,ED6,VAA,VA AE,VAA1, VTE2	





Service item	F.R.T.
FILTER, FUEL	0.1
BRACKET, STRAINER CUP SETTING	0.2
.COCK ASSY., ELECTRIC FUEL	
.CUP ASSY., FUEL STRAINER	
.PLATE, FUEL TANK HANGER	
.STRAINER, FUEL	
.TUBE, FUEL	
.TUBE, FUEL SUPPORTER	

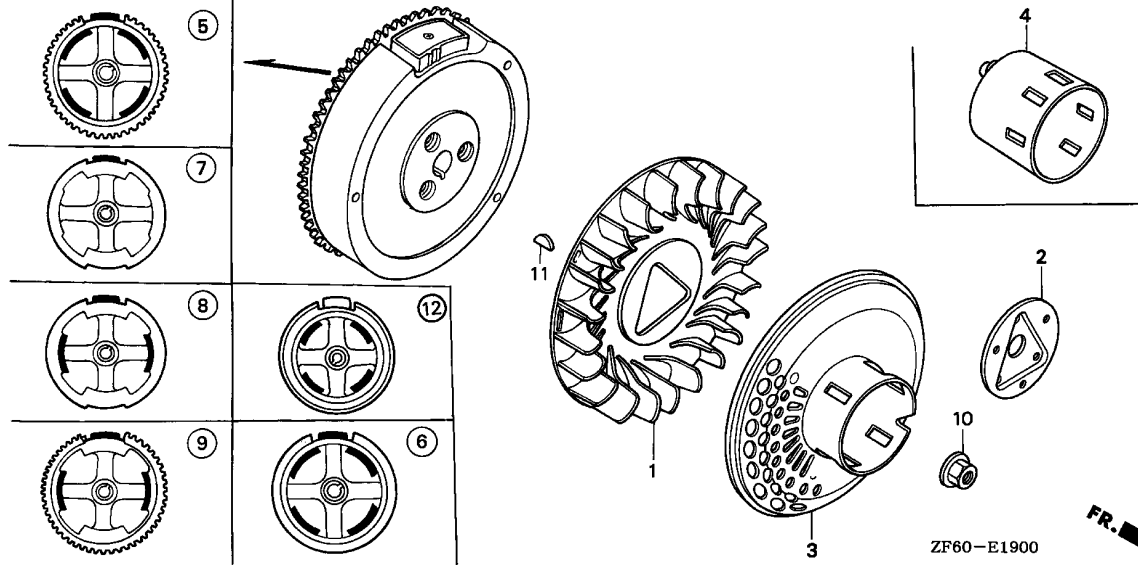
Ref. No.	Part No.	Description	Reqd. QTY			Serial No.	Parts catalogue code
			GX390K1	(1)	(2)		
1	16851-ZB7-000	TUBE, FUEL (TANK-COCK)	1	-	-	-----	EDS5
2	16852-ZB7-000	TUBE, FUEL (COCK-STRAINER) ..	1	-	-	-----	EDS5
3	16853-ZB7-000	TUBE, FUEL (STRAINER-CARBURETOR)	1	-	-	-----	EDS5
4	16857-ZB7-000	TUBE, FUEL SUPPORTER	1	-	-	-----	EDS5
5	16930-ZB7-013	COCK ASSY., ELECTRIC FUEL ...	1	-	-	-----	EDS5
6	16952-ZB7-000	STRAINER, FUEL	1	-	-	-----	EDS5
7	16957-707-005	NUT, RING	1	-	-	-----	EDS5
8	16963-443-901	GASKET	1	-	-	-----	EDS5
9	16967-196-005	CUP, FUEL STRAINER	1	-	-	-----	EDS5
10	16990-ZB7-005	CUP ASSY., FUEL STRAINER	1	-	-	-----	EDS5
11	17520-ZA0-800	SEAL, FUEL FILLER NECK	1	-	-	-----	EDS5
12	17672-899-000	FILTER, FUEL	1	-	-	-----	EDS5
13	32112-611-000	GROMMET, WIRE CORD	1	-	-	-----	EDS5
14	63125-ZB7-000	PLATE, FUEL TANK HANGER	1	-	-	-----	EDS5
15	63132-ZB7-000	BRACKET, STRAINER CUP SETTING	1	-	-	-----	EDS5
16	90684-ZA0-601	CLIP, HARNESS	1	-	-	-----	EDS5
17	95002-02080	CLIP, TUBE (B8)	2	-	-	-----	EDS5
18	95002-02100	CLIP, TUBE (B10)	3	-	-	-----	EDS5
19	95002-02120	CLIP, TUBE (B12)	1	-	-	-----	EDS5

2

E-19

FLYWHEEL (1)

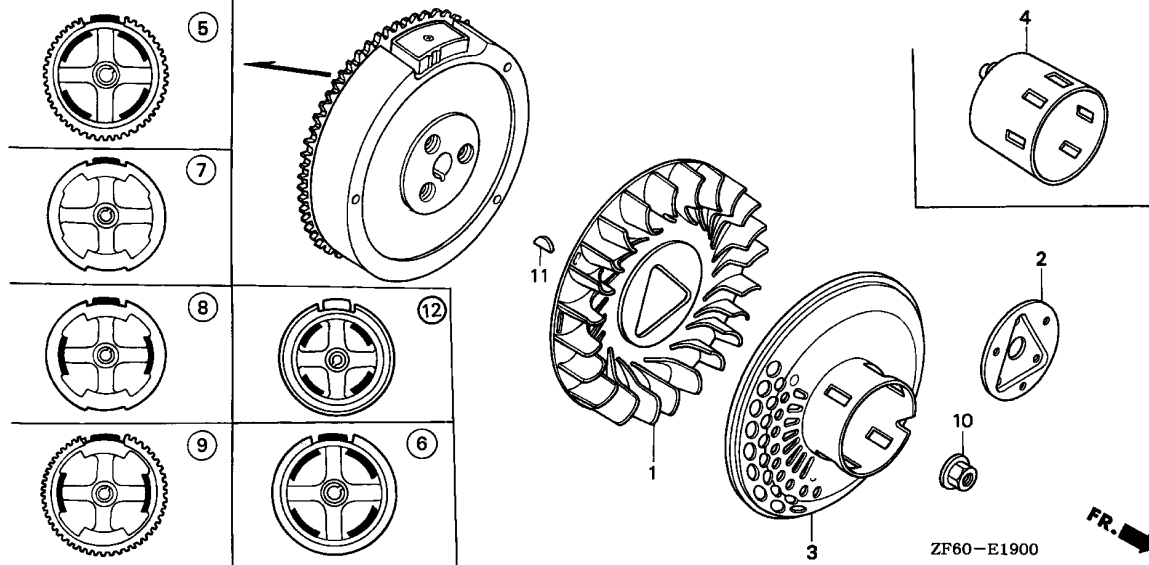
M15



Service item	F.R.T.
FAN, COOLING	0.2
.PULLEY COMP., STARTER	
.PULLEY, STARTER	
FLYWHEEL COMP.	0.3

Ref. No.	Part No.	Description	Reqd. QTY			Serial No.	Parts catalogue code
			(1)	(2)	(3)		
1	19511-ZE3-000	FAN, COOLING	1	-	-	BJ,EDD2,EDS,EDS1,EDS2,EDS3,EDS5,EDS6,EDS7,EDT1,EDT5,EDT6,ED6,ED8,ED9,EN6,ES1,ES3,ES4,ES5,EWS1,EWS3,EWS4,EWS5,HA,HAQ,HA2,HH,HJA,HJA2,HX,LH,LHB1,LHB3,LHC,LHE,LHP1,LHW,LJ,LJG,LKE,LKF1,LMH,LP,LT,LTK,LTK1,LWD1,LX,LXE,LXE2,LXE4,LXE8,LXQ4,LXU,LXZ,LX2,PAE2,PA2,PXPXE,PXE8,PXU,QA,QAE,QAE2,QAE6,QAQ,QAW,QA2,QA26,QDW9,QE,QH,QHB3,QHC,QHE,QHP1,QH2,QKA2,QKA4,QKB2,QKE2,QK4,QMED,QME1,QMH,QMP,QND,QNE,QNE2,QNE6,QNE8,QNE9,QNK,QNR2,QNR6,QN18,QP,QT,QWA2,QWA4,QWC4,QWH2,QWT2,QX,QXB,QXB7,QXC,QXC4,QXC6,QXC9,QXE,QXEB,QXE2,QXE4,QXE6,QXE7,QXE8,QXQ4,QXQ7,QXS4,QXU,SCK4,SE,SH,SHB1,SHB3,SHE,SHEZ,SHQ4,SHW,SJ,SJG,SKA,SKAE,SMC1,SMD3,SME0,SME1,SME6,SMX,SM11,SM32,SN,SNC,SNC9,SNT2,STC4,SWA4,SWE,SWX,SX,SXB,SXB7,SXC,SXE,SXEB,SXE4,SXE7,SXE8,SXK,SXK1,SXP,SXQ4,SXU,SX2,VA,VAA,VAE,VAA1,VAC2,VAG2,VA2,VCN2,VC2,VDB2,VDE1,VDE2,VD2,VE,VH,VHE,VJE2,VJ2,VKB2,VK2,VMA2,VME2,VMT,VMX,VM2,VNG1,VNG2,VN17,VN27,VPE4,VPE7,VPX4,VPX7,VS1,VS3,VSD,VSD4,VSD7,VTE1,VTE2,VTE5,VVA,VVA2,VVT4,VX,VXB,VXB7,VXE,VXEB,VXE2,VXE4,VXE6,VXE7,VXE8,VXFB,VXQ4,VXTB,VXT1,VXU,VXU1,VX8,YJ,ZK1	
2	19512-ZE2-000	PLATE, COOLING FAN SETTING ..	1	1	1	EDS5,LKE,LKF1,LTK,LTK1,LWD1,SHW,SKAE,SXK,SXKP,SXK1,ZK1	

2

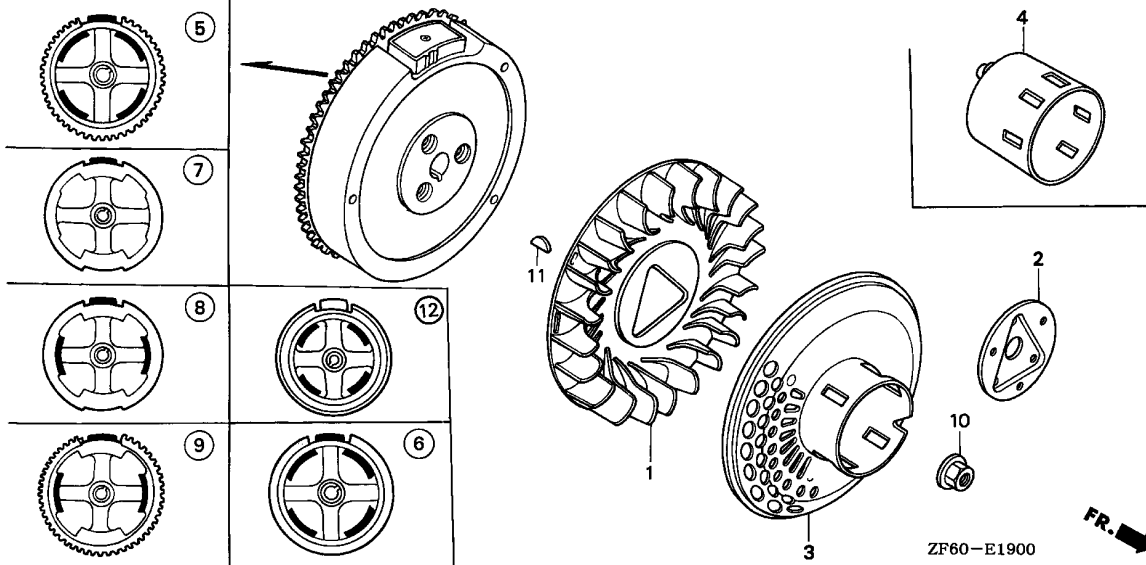


2

Ref. No.	Part No.	Description	Reqd. QTY GX390K1 (1) (2) (3)	Serial No.	Parts catalogue code
3	28450-ZE3-W11	PULLEY COMP., STARTER (SCREEN GRID)	1 - 1	-----	HA, HAQ, HA2, HH, HJA, HJA2, HX, LH, LHB1, LHB3, LHC, LHE, LHP1, LHW, LMH, LT, LX, LXE, LXE2, LXE4, LXE8, LXQ4, LXU, LXZ, LX2, PAE2, PA2, PX, PXE, PXE8, PXU, QA, QAE, QAE2, QAE6, QAP, QAQ, QAW, QA2, QA26, QDW9, QE, QH, QHB3, QHC, QHE, QHP1, QH2, QKA4, QKB2, QME0, QME1, QMH, QMP, QND, QNE, QNE2, QNE6, QNE8, QNE9, QNK, QNR2, QNR6, QN18, QP, QWA2, QWH2, QWT2, QX, QXB, QXB7, QXC, QXC4, QXC6, QXC9, QXE, QXEB, QXE2, QXE4, QXE6, QXE7, QXE8, QXQ4, QXQ7, QXU, SCK4, SE, SH, SHB1, SHB3, SHE, SHEZ, SHQ4, SKA, SMC1, SME0, SME6, SMX, STC4, SWA4, SWE, SWX, SX, SXB, SXB7, SXC, SXE, SXEB, SXE4, SXE7, SXE8, SXP, SXQ4, SXU, SX2, VA, VAA, VAAE, VAA1, VAC2, VAG2, VA2, VDE1, VDE2, VD2, VE, VH, VHE, VJE2, VJ2, VKB2, VK2, VMA2, VME2, VMX, VM2, VNG1, VNG2, VN17, VN27, VSD, VSD7, VTE1, VTE5, VVA, VWA2, VWT4, VX, VXB, VXB7, VXE, VXE8, VXE2, VXE4, VXE6, VXE7, VXE8, VXF8, VXQ4, VXTB, VXT1, VXU, VXU1, VX8
4	28451-ZE3-W01	PULLEY, STARTER	- (1) - 1 (1) 1	-----	BJ, EDD2, EDS, EDS1, EDS2, EDS3, EDS6, EDS7, EDT1, EDT5, EDT6, ED6, ED8, ED9, EN6, ES1, ES3, ES4, ES5, EWS1, EWS3, EWS4, EWS5, LJ, LJG, LP, QKA2, QKE2, QK4, QT, QWA4, QWC4, QXB7, QXE7, QXQ7, QXS4, Q1, SJ, SJG, SMD3, SME1, SM11, SM32, SN, SNC, SNC9, SNT2, SXB7, SXE7, VAP, VCN2, VC2, VDB2, VMT, VPE4, VPE7, VPX4, VPX7, VSB1, VSB3, VSD4, VTE2, VXB7, VXE7, VXP, VXQP, V1, YJ
5	31100-ZE3-W01	FLYWHEEL COMP. (4POLE)	1 - 1	-----	EDD2, ED6, EN6, HJA, HJA2, LKE, LKF1, PAE2, QAE, QAE2, QAE6, QKA4, QKB2, QKE2, QME0, QME1, QMP, QNE, QNE2, QNE6, QNE8, QNE9, QNK, QWA2, SCK4, SHW, SKA, SKAE, SME0, SME6, SM32, STC4, VAP, VDB2, VK2, VNG2, VN27, VTE2, ZK1
	31100-ZE3-W10	FLYWHEEL COMP. (18A)	- (1) -	2088217	Q1, V1
	31100-ZE3-W20	FLYWHEEL COMP. (SEL-18A)	- (1) -	2088217	Q1, V1
	31100-ZE3-W21	1 - -	-----	LWD1, QND, QNR2, QNR6, QN18, QWH2
6	31100-ZE3-U10	FLYWHEEL COMP. (4POLE)	1 - -	-----	QWC4, SXK
	31100-ZE3-W11	FLYWHEEL COMP. (18A)	- (1) -	-----	

Ref. No.	Part No.	Description	Reqd. QTY			Serial No.	Parts catalogue code
			(1)	(2)	(3)		
7	31100-ZE3-700 31100-ZE3-701	FLYWHEEL COMP.	-	(1)	-	-----	Q1 BJ,EDT1,EDT6,ED8,ED9,ES1,ES3,HA,HAQ,HA2,HH,HX,LH,LHB1,LHB3,LHC,LHW,LJ,LJG,LMH,LX,LXQ4,LXU,LXZ,LX2,L1,PA2,PX,PXU,QA,QAP,QAQ,QA2,QA26,QDW9,QE,QH,QHB3,QHC,QHP1,QH2,QKA2,QK4,QMH,QT,QWA4,QWT2,QX,QXB,QXB7,QXC,QXC4,QXC6,QXC9,QXQ4,QXQ7,QXS4,QXU,SE,SH,SHB1,SHB3,SHQ4,SJ,SJG,SMD3,SMX,SM11,SN,SNC,SNC9,SNT2,SWA4,SW,SXB,SXB7,SXC,SXP,SXQ4,SXU,SX2,S1,VA,VAA,VAA1,VAC2,VAG2,VA2,VD2,VE,VH,VJ2,VMX,VNG1,VN17,VPX4,VPX7,VS1,VS2,VS3,VS4,VS5,VS6,VS7,VS8,VS9,VS10,VS11,VS12,VS13,VS14,VS15,VS16,VS17,VS18,VS19,VS20,VS21,VS22,VS23,VS24,VS25,VS26,VS27,VS28,VS29,VS30,VS31,VS32,VS33,VS34,VS35,VS36,VS37,VS38,VS39,VS40,VS41,VS42,VS43,VS44,VS45,VS46,VS47,VS48,VS49,VS50,VS51,VS52,VS53,VS54,VS55,VS56,VS57,VS58,VS59,VS60,VS61,VS62,VS63,VS64,VS65,VS66,VS67,VS68,VS69,VS70,VS71,VS72,VS73,VS74,VS75,VS76,VS77,VS78,VS79,VS80,VS81,VS82,VS83,VS84,VS85,VS86,VS87,VS88,VS89,VS90,VS91,VS92,VS93,VS94,VS95,VS96,VS97,VS98,VS99,VS100,VX,VX1,VX2,VX3,VX4,VX5,VX6,VX7,VX8,VX9,VX10,VX11,VX12,VX13,VX14,VX15,VX16,VX17,VX18,VX19,VX20,VX21,VX22,VX23,VX24,VX25,VX26,VX27,VX28,VX29,VX30,VX31,VX32,VX33,VX34,VX35,VX36,VX37,VX38,VX39,VX40,VX41,VX42,VX43,VX44,VX45,VX46,VX47,VX48,VX49,VX50,VX51,VX52,VX53,VX54,VX55,VX56,VX57,VX58,VX59,VX60,VX61,VX62,VX63,VX64,VX65,VX66,VX67,VX68,VX69,VX70,VX71,VX72,VX73,VX74,VX75,VX76,VX77,VX78,VX79,VX80,VX81,VX82,VX83,VX84,VX85,VX86,VX87,VX88,VX89,VX90,VX91,VX92,VX93,VX94,VX95,VX96,VX97,VX98,VX99,VX100,YY,YY1,YY2,YY3,YY4,YY5,YY6,YY7,YY8,YY9,YY10,ZZ,ZZ1,ZZ2,ZZ3,ZZ4,ZZ5,ZZ6,ZZ7,ZZ8,ZZ9,ZZ10
8	31100-ZE3-711 31100-ZE3-712	FLYWHEEL COMP. (LAMP)	-	(1)	-	-----	Q1,V1 EDT5,EWS1,EWS3,LHP1,LP,LT,L1,QP,SMC1,SWX,S1,VMA2,VM2
9	31100-ZE3-721 31100-ZE3-722	FLYWHEEL COMP. (SEL-LAMP)	1	(1)	-	-----	Q1, SHEZ EDS,EDS1,EDS2,EDS3,EDS5,EDS6,EDS7,ES4,ES5,EWS4,EWS5,LHE,LTk,LTk1,LXE,LXE2,LXE4,LXE8,L1,PXE,PXE8,QHE,QXE,QXEB,QXE2,QXE4,QXE6,QXE7,QXE8,SHE,SME1,SWE,SXE,SXEB,SXE4,SXE7,SXE8,S1,VAAE,VCN2,VC2,VDE1,VDE2,VHE,VJE2,VKB2,VME2,VMT,VPE4,VPE7,VS1,VS2,VS3,VS4,VS5,VS6,VS7,VS8,VS9,VS10,VS11,VS12,VS13,VS14,VS15,VS16,VS17,VS18,VS19,VS20,VS21,VS22,VS23,VS24,VS25,VS26,VS27,VS28,VS29,VS30,VS31,VS32,VS33,VS34,VS35,VS36,VS37,VS38,VS39,VS40,VS41,VS42,VS43,VS44,VS45,VS46,VS47,VS48,VS49,VS50,VS51,VS52,VS53,VS54,VS55,VS56,VS57,VS58,VS59,VS60,VS61,VS62,VS63,VS64,VS65,VS66,VS67,VS68,VS69,VS70,VS71,VS72,VS73,VS74,VS75,VS76,VS77,VS78,VS79,VS80,VS81,VS82,VS83,VS84,VS85,VS86,VS87,VS88,VS89,VS90,VS91,VS92,VS93,VS94,VS95,VS96,VS97,VS98,VS99,VS100,VWA2,VWA4,VXE,VXEB,VXE2,VXE4,VXE6,VXE7,VXE8,VXFB,VXU1,V1
10	90201-ZE3-790	NUT, SPECIAL, 16MM	1	-	1	-----	QKA2,QKE2,SHEZ,SXK,SXKP,SXK1,VSD4
			1	-	-	-----	2263434 BJ,EDS,EDS1,EDS3,EDS5,EDT1,ED6,ED8,ED9,ES1,ES3,ES4,EWS1,EWS3,EWS4,EWS5,HA,HAQ,HA2,HH,HJA,HJA2,HX,LH,LHB1,LHB3,LHC,LHE,LJ,LJG,LTk,LX,LXE,LXE2,LXE4,LXQ4,LXZ,LX2,PX,PXE,QA,QAE,QAE2,QAE6,QAQ,QA2,QA26,QDW9,QE,QH,QHB3,QHC,QHE,QH2,QKA4,QME0,QME1,QNE,QNE2,QNE6,QNE9,QNR2,QN18,QP,QT,QX,QXB,QXC,QXC4,QXC6,QXC9,QXE,QXEB,QXE2,QXE4,QXE6,QXQ4,SCK4,SE,SH,SHB1,SHB3,SHE,SHQ4,SHW,SJ,SJG,SKA,SMC1,SMD3,SMEO,SME6,SN,SNC,SNC9,SNT2,STC4,SWE,SWX,SX,SXB,SXE,SXEB,SXE4,SXP,SXQ4,SX2,VA,VAA,VAAE,VAG2,VA2,VDE1,VDE2,VE,VH,VHE,VMA2,VMX,VNG1,VNG2,VSD,VWA,VWA2,VX,VXB,VXE,VXEB,VXE2,VXE4,VXQ4,VXU,VXU1,YJ,ZK1
			-	1	-	-----	2263434
			-	-	1	-----	1000009
	90201-ZE3-V00	1	-	1	-----	VXP,VXQP EDD2,EDS2,EDS6,EDS7,EDT5,EDT6,EN6,ES5,LHP1,LHW,LKE,LKF1,LMH,LP,LT,LTk1,LWD1,LXE8,LXU,PAE2,PA2,PXE8,PXU,QAP,QAW,QHP1,QKB2,QK4,QMH,QMP,QND,QNE8,QNK,QNR6,QWA2,QWA4,QWC4,QWH2,QWT2,QXB7,QXE7,QXE8,QXQ7,QXS4,QXU,SKAE,SME1,SMX,SM11,SM32,SWA4,SXB7,SXC,SXE7,SXE8,SXU,VAA1,VAC2,VAP,VCN2,VC2,VDB2,VD2,VJE2,VJ2,VKB2,VK2,VME2,VMT,VM2,VN17,VN27,VPE4,VPE7,VPX4,VPX7,VS1,VS2,VS3,VS4,VS5,VS6,VS7,VS8,VS9,VS10,VS11,VS12,VS13,VS14,VS15,VS16,VS17,VS18,VS19,VS20,VS21,VS22,VS23,VS24,VS25,VS26,VS27,VS28,VS29,VS30,VS31,VS32,VS33,VS34,VS35,VS36,VS37,VS38,VS39,VS40,VS41,VS42,VS43,VS44,VS45,VS46,VS47,VS48,VS49,VS50,VS51,VS52,VS53,VS54,VS55,VS56,VS57,VS58,VS59,VS60,VS61,VS62,VS63,VS64,VS65,VS66,VS67,VS68,VS69,VS70,VS71,VS72,VS73,VS74,VS75,VS76,VS77,VS78,VS79,VS80,VS81,VS82,VS83,VS84,VS85,VS86,VS87,VS88,VS89,VS90,VS91,VS92,VS93,VS94,VS95,VS96,VS97,VS98,VS99,VS100,VXB7,VXE6,VXE7,VXE8,VXFB,VXTB,VXT1,VX8
			1	-	-	-----	2263435 BJ,EDS,EDS1,EDS3,EDS5,EDT1,ED6,ED8,ED9,ES1,ES3,ES4,EWS1,EWS3,EWS4,EWS5,HA,HAQ,HA2,HH,HJA,HJA2,HX,LH,LHB1,LHB3,LHC,LHE,LJ,LJG,LTk,LX,LXE,LXE2,LXE4,LXQ4,LXZ,LX2,PX,PXE,QA,QAE,QAE2,QAE6,QAQ,QA2,QA26,QDW9,QE,QH,QHB3,QHC,QHE,QH2,QKA4,QME0,QME1,QNE,QNE2,QNE6,QNE9,QNR2,QN18,QP,QT,QX,QXB,QXC,QXC4,QXC6,QXC9,QXE,QXEB,QXE2,QXE4,QXE6,QXQ4,SCK4,SE,SH,SHB1,SHB3,SHE,SHQ4,SHW,SJ,SJG,SKA,SMC1,SMD3,SMEO,SME6,SN,SNC,SNC9,SNT2,STC4,SWE,SWX,SX,SXB,SXE,SXEB,SXE4,SXP,SXQ4,SX2,VA,VAA,VAAE,VAG2,VA2,VDE1,VDE2,VE,VH,VHE,VMA2,VMX,VNG1,VNG2,VSD,VWA,VWA2,VX,VXB,VXE,VXEB,VXE2,VXE4,VXQ4,VXU,VXU1,YJ,ZK1
			-	1	-	-----	2263435
			-	-	1	-----	1000010
						-----	VXP,VXQP



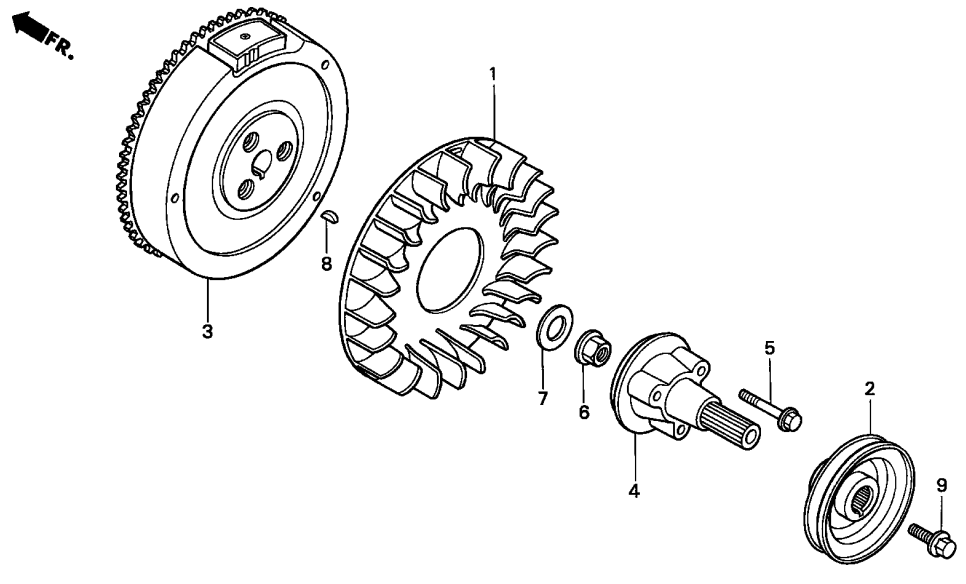


Ref. No.	Part No.	Description	Reqd. QTY			Serial No.	Parts catalogue code
			(1)	(2)	(3)		
11	90741-ZE2-000	KEY, SPECIAL WOODRUFF, 25X18	1	-	-	-----	BJ,EDD2,EDS,EDS1,EDS2,EDS3,EDS5,EDS6,EDS7,EDT1,EDT5,EDT6,ED6,ED8,ED9,EN6,ES1,ES3,ES4,ES5,EWS1,EWS3,EWS4,EWS5,HA,HAQ,HA2,HH,HJA,HJA2,HX,LH,LHB1,LHB3,LHC,LHE,LHP1,LHW,LJ,LJG,LKE,LKF1,LMH,LP,LT, LTK, LTK1, LWD1, LX, LXE, LXE2, LXE4, LXE8, LXQ4, LXU, LXZ, LX2, PAE2, PA2, PX, PXE, PXE8, PXU, QA, QAE, QAE2, QAE6, QAQ, QAW, QA2, QA26, QDW9, QE, QH, QHB3, QHC, QHE, QHP1, QH2, QKA2, QKA4, QKB2, QKE2, QK4, QMED, QME1, QMH, QMP, QND, QNE, QNE2, QNE6, QNE8, QNE9, QNK, QNR2, QNR6, QN18, QP, QT, QWA2, QWA4, QWC4, QWH2, QWT2, QX, QXB, QXB7, QXC, QXC4, QXC6, QXC9, QXE, QXEB, QXE2, QXE4, QXE6, QXE7, QXE8, QXQ4, QXQ7, QXS4, QXU, SCK4, SE, SH, SHB1, SHB3, SHE, SHEZ, SHQ4, SHW, SJ, SJG, SKA, SKAE, SMC1, SMD3, SME0, SME1, SME6, SMX, SM11, SM32, SN, SNC, SNC9, SNT2, STC4, SWA4, SWE, SWX, SX, SXB, SXB7, SXC, SXE, SXEB, SXE4, SXE7, SXE8, SXX, SXX1, SXP, SXQ4, SXU, SX2, VA, VAA, VAAE, VAA1, VAC2, VAG2, VA2, VCN2, VC2, VDB2, VDE1, VDE2, VD2, VE, VH, VHE, VJE2, VJ2, VKB2, VK2, VMA2, VME2, VMT, VMX, VM2, VNG1, VNG2, VN17, VN27, VPE4, VPE7, VPX4, VPX7, VSB1, VSB3, VSD, VSD4, VSD7, VTE1, VTE2, VTE5, VWA, VWA2, VWT4, VX, VXB, VXB7, VXE, VXEB, VXE2, VXE4, VXE6, VXE7, VXE8, VXFB, VXQ4, VXTB, VXT1, VXU, VXU1, VX8, YJ, ZK1
12	31100-ZK6-V70 31100-ZK6-000	FLYWHEEL COMP. (4POLE)	-	1	1	-----	SXKP
		1	-	-	-----	SXK1

E-19-1

FLYWHEEL (2)

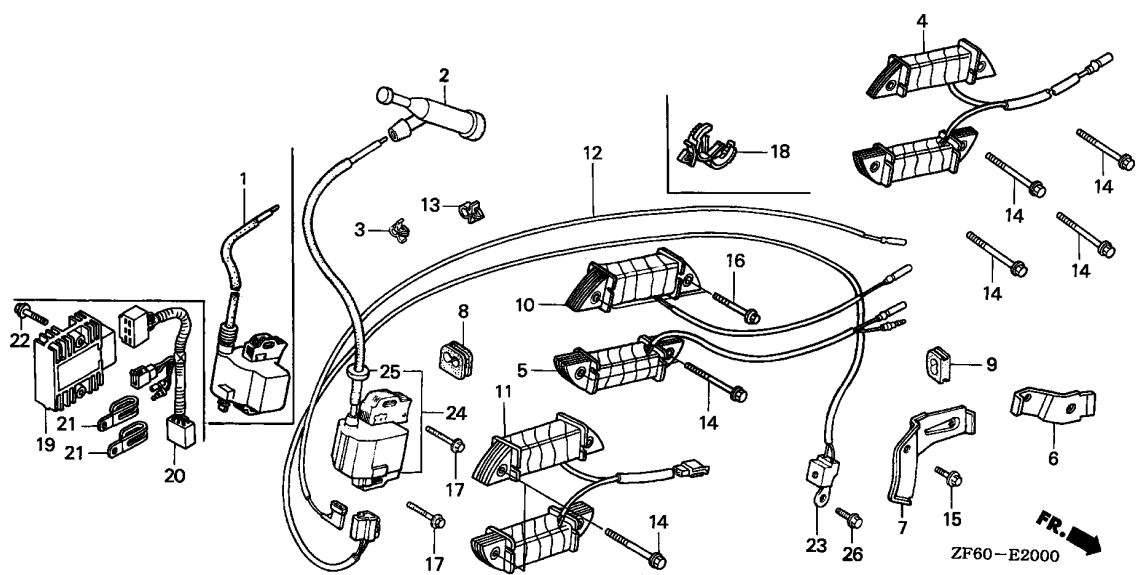
N 3



Service item	F.R.T.
PULLEY, WHEEL DRIVE	0.1
FAN, COOLING	0.2
.SHAFT, ENGINE P.T.O.	
FLYWHEEL COMP.	0.3

Ref. No.	Part No.	Description	Reqd. QTY			Serial No.	Parts catalogue code
			GX390K1				
			(1)	(2)	(3)		
1	19511-ZE3-790	FAN, COOLING	1	-	-	-----	LWD
2	22411-766-000	PULLEY, WHEEL DRIVE (88MM) ..	1	-	-	-----	LWD
3	31100-ZE3-W00	FLYWHEEL COMP. (10A)	1	-	-	2184662	LWD
	31100-ZE3-H02	FLYWHEEL COMP. (SEL-LAMP) ...	1	-	-	2184663	LWD
4	40215-ZE3-H00	SHAFT, ENGINE P.T.O.	1	-	-	-----	LWD
5	90102-ZE3-790	BOLT, ENGINE P.T.O.	3	-	-	-----	LWD
6	90201-ZE3-790	NUT, SPECIAL, 16MM	1	-	-	-----	LWD
7	90473-ZE3-790	WASHER, FLYWHEEL	1	-	-	-----	LWD
8	90741-ZE2-000	KEY, SPECIAL WOODRUFF, 25X18	1	-	-	-----	LWD
9	95701-08016-00	BOLT, FLANGE, 8X16	1	-	-	-----	LWD

2

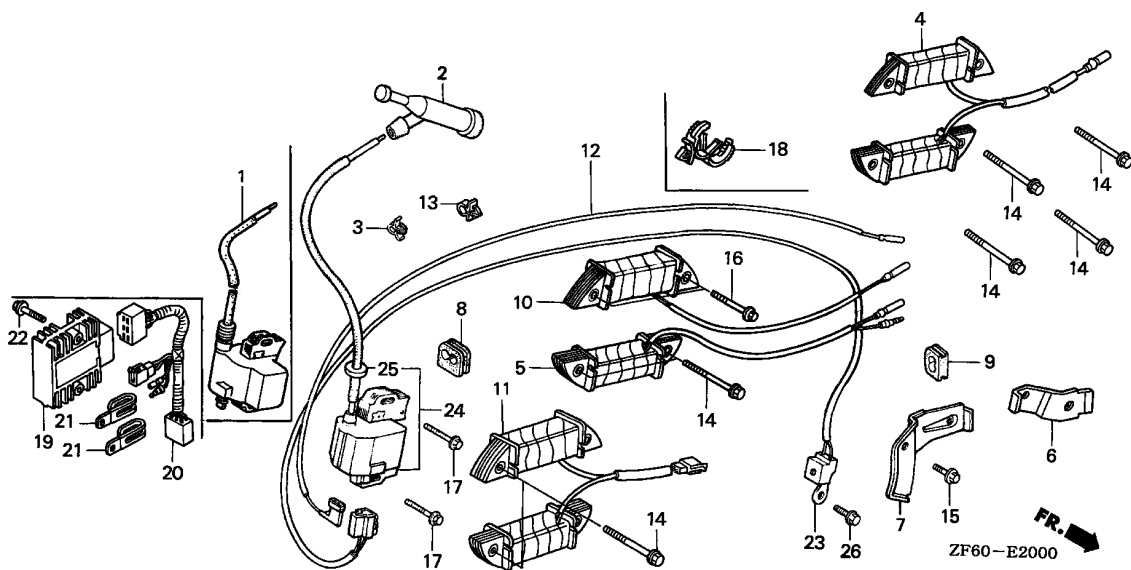


Service item	F.R.T.
CAP ASSY., NOISE SUPPRESSOR ..	0.1
.TERMINAL ASSY., HIGH TENSION	
COIL ASSY., IGNITION	0.2
.HARNESS ASSY., ENGINE	
.RECTIFIER ASSY., REGULATOR	
COIL, PULSER	0.3
.CORD, STOP SWITCH	
COIL ASSY., CHARGE	0.4
.COIL ASSY., LAMP	

Ref. No.	Part No.	Description	Reqd. QTY			Serial No.	Parts catalogue code	
			GX390K1	(1)	(2)			(3)
1	30500-ZE2-013	COIL ASSY., IGNITION	1	-	-	----- EWS4,EWS5,SHEZ		
			1	-	-	----- 2108412	EDS,ED6,ED8,ES1,ES3,ES4,EWS1,EWS3,HA,HH,HJA,HX,LH,LHC,LHE,LX,LXE,LXZ,PX,QA,QAE,QE,QH,QHC,QHE,QNE,QP,QT,QX,QXB,QXC,QXE,QXEB,SE,SH,SHE,SN,SNC,SWE,SWX,SX,SXB,SXE,SXEB,SXP,VA,VAA,VAAE,VDE1,VE,VH,VHE,VMX,VNG1,VNG2,VSD,VWA,VX,VXB,VXE,VXEB,VXU,VXU1	
			1	-	-	----- 2110422	BJ,EDS1,EDT1,LJ,LWD,SJ,YJ	
			1	-	-	----- 2123630	HAQ,QAQ,QNE9	
			-	(1)	-	----- 2110417		
	30500-ZF6-W02	1	-	1	-----	BJ,EDS,EDS1,EDS3,EDS5,EDS6,EDS7,EDT1,EDT5,EDT6,ED6,ED8,ED9,ES1,ES3,ES4,ES5,EWS1,EWS3,HA,HAQ,HA2,HH,HJA,HJA2,HX,LH,LHB1,LHB3,LHC,LHE,LHP1,LHW,LJ,LJG,LKE,LKF1,LMH,LP,LT,LTk,LTK1,LWD,LX,LXE,LXE2,LXE4,LXE8,LXQ4,LXU,LXZ,PX,PXE,PXE8,PXU,QA,QAE,QAE2,QAE6,QAQ,QA2,QA26,QDW9,QE,QH,QHB3,QHC,QHE,QHP1,QH2,QKA2,QKA4,QKE2,QK4,QMED,QME1,QMH,QMP,QNE,QNE2,QNE6,QNE8,QNE9,QNR6,QN18,QP,QT,QWA4,QWC4,QX,QXB,QXB7,QXC,QXC4,QXC6,QXC9,QXE,QXEB,QXE2,QXE4,QXE6,QXE7,QXE8,QXQ4,QXQ7,QXS4,QXU,SCK4,SE,SH,SHB1,SHB3,SHE,SHQ4,SHW,SJ,SJG,SKA,SKAE,SMC1,SMD3,SME0,SME1,SME6,SMX,SM11,SN,SNC,SNC9,SNT2,STC4,SWA4,SWE,SWX,SX,SXB,SXB7,SXC,SXE,SXEB,SXE4,SXE7,SXE8,SXK,SXP,SXQ4,SXU,VA,VAA,VAAE,VAA1,VAG2,VAP,VA2,VDE1,VE,VH,VHE,VMT,VMX,VNG1,VNG2,VPE4,VPX4,VSB1,VSB3,VSD,VSD4,VSD7,VTE2,VTE5,VWA,VWA2,VWT4,VX,VXB,VXB7,VXE,VXEB,VXE2,VXE4,VXE6,VXE7,VXE8,VXP,VXQP,VXQ4,VXT1,VXU,VXU1,VX8,YJ,ZK1	
			-	(1)	-			

Ref. No.	Part No.	Description	Reqd. QTY			Serial No.	Parts catalogue code
			GX390K1	(1)	(2)		
2	30600-ZE1-013	TERMINAL ASSY., HIGH TENSION (NICHIWA Y-EZ)	1	-	-	-----	BJ, LKF1, LP, LT, LTK1, LWD, QT, SHW, SN, VSB1, VSB3, YJ
			1	-	-	2223210	----- LHB1, SHB1
			1	-	-	2283687	----- ES3, ES4, EWS1, EWS3, EWS4, EWS5
			1	-	-	2658574	----- ED8, LJ, LJG, LTK, QHB3, SJ, SJG
			1	-	-	2746759	----- SME1, SM11
			1	-	-	3105387	----- ES5
			-	(1)	-		
	30700-ZB7-013	CAP ASSY., NOISE SUPPRESSOR (NICHIWA Y-EZ RTFM256)	1	-	-	-----	EDS5
	30700-ZE1-013	1	-	1	-----	EDS, EDS1, EDS3, EDS6, EDS7, EDT1, EDT5, EDT6, ED6, ED9, ES1, HA, HAQ, HA2, HH HJA, HJA2, HX, LH, LHB3, LHC, LHE, LHP1, LHW, LKE, LMH, LX, LXE, LXE2, LXE4 LXE8, LXQ4, LXU, LXZ, PX, PXE, PXE8, PXU, QA, QAE, QAE2, QAE6, QAQ, QA2, QA26 QDW9, QE, QH, QHC, QHE, QHP1, QH2, QKA2, QKA4, QKE2, QK4, QME0, QME1, QMH, QMP QNE, QNE2, QNE6, QNE8, QNE9, QNR6, QN18, QP, QWA4, QWC4, QX, QXB, QXB7, QXC QXC4, QXC6, QXC9, QXE, QXEB, QXE2, QXE4, QXE6, QXE7, QXE8, QXQ4, QXQ7, QXS4 QXU, SCK4, SE, SH, SHB3, SHE, SHEZ, SHQ4, SKA, SKAE, SMC1, SMD3, SME0, SME6 SMX, SNC, SNC9, SNT2, STC4, SWA4, SWE, SWX, SX, SXB, SXB7, SXC, SXE, SXEB, SXE4 SXE7, SXE8, SXP, SXQ4, SXU, VA, VAA, VAAE, VAA1, VAG2, VAP, VA2, VDE1, VE, VH VHE, VMT, VMX, VNG1, VNG2, VPE4, VPX4, VSD, VSD4, VSD7, VTE1, VTE2, VTE5, VWA VWA2, VWT4, VX, VXB, VXB7, VXE, VXEB, VXE2, VXE4, VXE6, VXE7, VXE8, VXFB, VXP VXQP, VXQ4, VXTB, VXT1, VXU, VXU1, VX8, ZK1
			1	-	-	2608273	----- SXK
			1	-	-	2658575	----- ED8, LJ, LJG, LTK, QHB3, SJ, SJG
			1	-	-	2746760	----- SME1, SM11
			1	-	-	3105388	----- ES5
			1	-	-	2223209	----- LHB1, SHB1
			1	-	-	2283686	----- ES3, ES4, EWS1, EWS3, EWS4, EWS5
			-	(1)	-		
			-	-	1	1000207	----- SXKP
	30700-ZE3-792	CAP ASSY., NOISE SUPPRESSOR (NICHIWA Y-EZA)	1	-	-	2608272	SXK
			-	-	1	1000206	SXKP
3	30701-883-000	CLIP, HIGH TENSION CORD (8MM)	1	-	-	-----	HX, LX, LXU, LXZ, PX, PXU, QA, QX, QXB, QXC, QXU, SWX, SX, SXB, SXP, SXU, VA, VAA VNG1, VSD, VX, VXB
			-	(1)	-		
4	31510-ZE2-811	COIL ASSY., LAMP (12V/50W) ..	1	-	-	-----	LP, LT, QP, SWX
			-	(1)	-		
5	31510-ZE1-003	COIL ASSY., LAMP (12V/15W) ..	1	-	-	-----	EWS1, EWS3, EWS4, EWS5
	31510-ZE1-811	COIL ASSY., LAMP (12V/25W) ..	1	-	-	-----	ED6, LHP1, VTE2
			1	-	-	2143012	2282696 VAA
	31510-ZE3-003	1	-	-	-----	EDS7, EDT5, SMC1
			-	(1)	-		
	31510-ZE3-811	COIL ASSY., LAMP (6V/25W) ...	-	(1)	-		
6	31511-ZE2-W00	CLAMPER, CORD	1	-	-	-----	QNR6, QN18
			-	(1)	-	2088217	
7	31511-ZE3-000	CLAMPER, CORD	1	-	1	-----	EDS, EDS1, EDS3, EDS5, EDS6, EDS7, EDT5, ED6, ES4, ES5, EWS1, EWS3, EWS4, EWS5 HJA, HJA2, LHE, LHP1, LKE, LKF1, LP, LT, LTK, LTK1, LWD, LXE, LXE2, LXE4, LXE8 PXE, PXE8, QAE, QAE2, QAE6, QHE, QKA4, QKE2, QME0, QME1, QMP, QNE, QNE2, QNE6 QNE8, QNE9, QP, QWC4, QXE, QXEB, QXE2, QXE4, QXE6, QXE7, QXE8, SCK4, SHE, SHEZ SHW, SKA, SKAE, SMC1, SME0, SME1, SME6, STC4, SWE, SWX, SXE, SXEB, SXE4, SXE7 SXE8, SXK, SXKP, VAAE, VAP, VDE1, VHE, VMT, VNG2, VSB3, VSD4, VTE1, VTE2, VTE5 VWA, VWA2, VXE, VXEB, VXE2, VXE4, VXE6, VXE7, VXE8, VXFB, VXU1, ZK1
			1	-	-	2643256	----- VPE4
			1	-	-	2143012	2282696 VAA
			-	(1)	-		

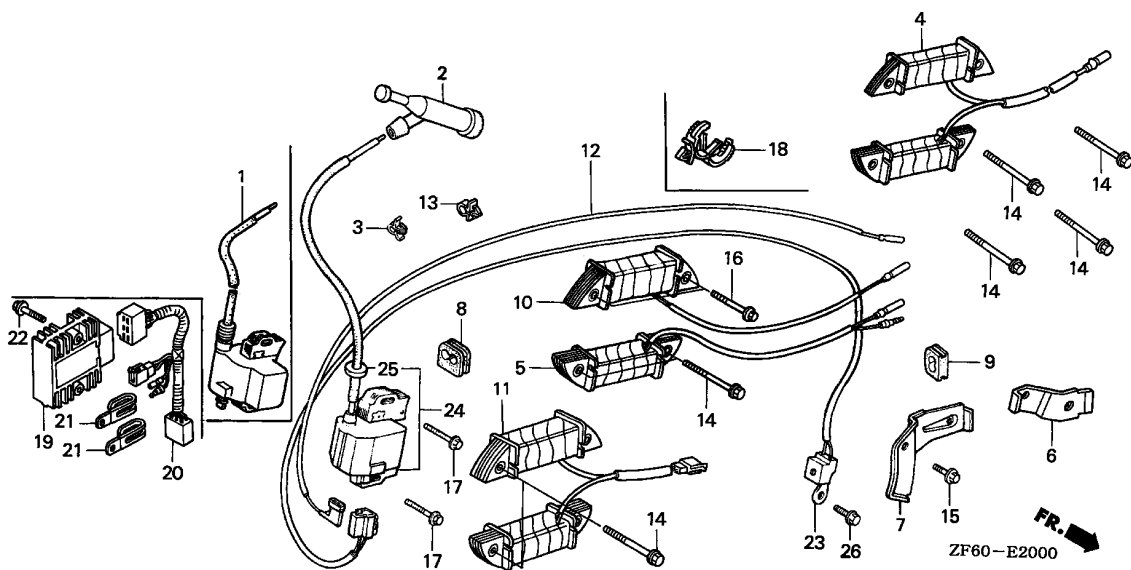




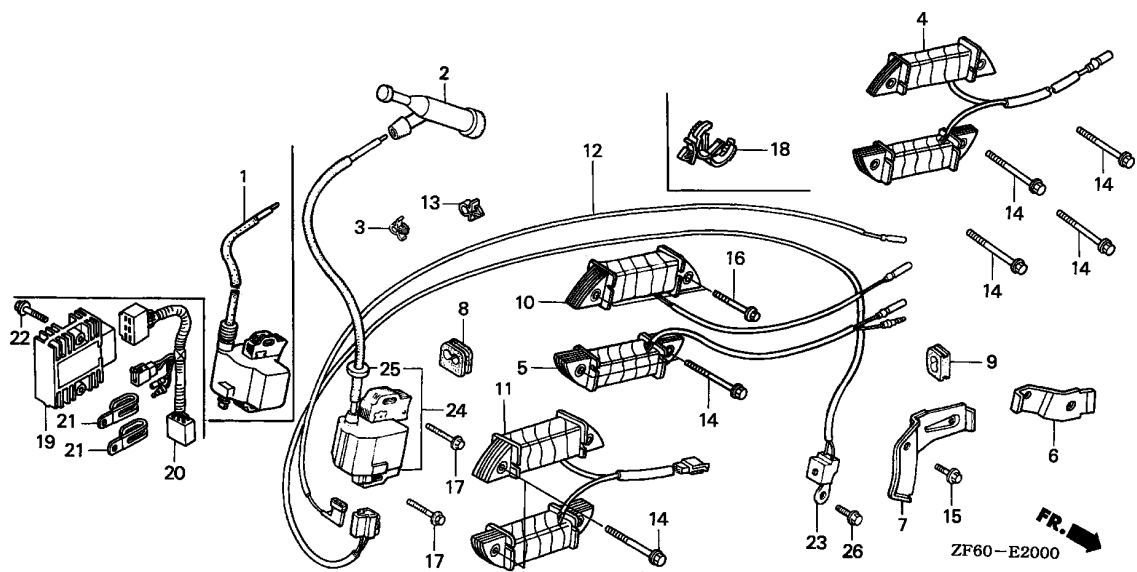
Ref. No.	Part No.	Description	Reqd. QTY			Serial No.	Parts catalogue code	
			(1)	(2)	(3)			
8	31512-ZE2-000	GROMMET, CORD	1	-	1	-----	BJ,EDS,EDS1,EDS3,EDS5,EDS6,EDS7,EDT1,EDT5,EDT6,ED6,ED8,ED9,ES1,ES3,ES4,ES5,EWS1,EWS3,EWS4,EWS5,HA,HAQ,HA2,HH,HJA,HJA2,HX,LH,LHB1,LHB3,LHC,LHE,LHP1,LHW,LJ,LJG,LKE,LKF1,LMH,LP,LT,LTk,LTk1,LWD,LX,LXE,LXE2,LXE4,LXE8,LXQ4,LXU,LXZ,PX,PXE,PXE8,PXU,QA,QAE,QAE2,QAE6,QAQ,QA2,QA26,QDW9,QE,QH,QHB3,QHC,QHE,QHP1,QH2,QKA2,QKA4,QKE2,QK4,QME0,QME1,QMH,QMP,QNE,QNE2,QNE6,QNE8,QNE9,QNR6,QP,QT,QWA4,QWC4,QX,QXB,QXB7,QXC,QXC4,QXC6,QXC9,QXE,QXEB,QXE2,QXE4,QXE6,QXE7,QXE8,QXQ4,QXQ7,QXS4,QXU,SCK4,SE,SH,SHB1,SHB3,SHE,SHEZ,SHQ4,SHW,SJ,SJG,SKA,SKAE,SMED,SME1,SME6,SMX,SM11,SN,SNC,SNC9,SNT2,STC4,SWA4,SWE,SWX,SX,SXB,SXB7,SXC,SXE,SXEB,SXE4,SXE7,SXE8,SXK,SXP,SXQ4,SXU,VA,VAA,VAAE,VAA1,VAG2,VAP,VA2,VDE1,VE,VH,VHE,VMT,VMX,VNG1,VNG2,VPE4,VPX4,VSB1,VSB3,VSD,VSD4,VSD7,VTE1,VTE2,VTE5,VWA,VWA2,VWT4,VX,VXB,VXB7,VXE,VXEB,VXE2,VXE4,VXE6,VXE7,VXE8,VXFB,VXP,VXQP,VXQ4,VXTB,VXT1,VXU,VXU1,VX8,YJ,ZK1	
			1	-	-	2195818	-----	QN18
	31512-ZE3-003	GROMMET, PULSER CORD	-	(1)	-	-----	-----	SXKP
9	31512-ZG3-000	GROMMET, CORD	1	-	-	-----	2195817	QN18
			-	(1)	-	-----	2168384	
10	31630-ZE1-003	COIL ASSY., CHARGE (1A)	1	-	-	-----	-----	EDS,EDS1,EDS3,EDS6,EDS7,ES4,ES5,EWS4,EWS5,LHE,LTk,LTk1,LXE,LXE2,LXE4,LXE8,PXE,PXE8,QHE,QXE,QXEB,QXE2,QXE4,QXE6,QXE7,QXE8,SHE,SHEZ,SME1,SWE,SXE,SXEB,SXE4,SXE7,SXE8,VAAE,VDE1,VHE,VMT,VSB3,VSD4,VTE1,VTE5,VWA,VWA2,VXE,VXEB,VXE2,VXE4,VXE6,VXE7,VXE8,VXFB,VXU1
			1	-	-	2643256	-----	VPE4
			-	(1)	-	-----	-----	
	31630-ZE2-841	COIL ASSY., CHARGE (3A)	1	-	1	-----	-----	LKF1,QAE,QAE2,QAE6,VAP,VNG2
			1	-	-	-----	2184662	LWD
			-	(1)	-	-----	-----	
	31510-ZE2-P31	COIL ASSY., LAMP (12V/50W) ..	1	-	-	2184663	-----	LWD

Ref. No.	Part No.	Description	Reqd. QTY			Serial No.	Parts catalogue code
			GX390K1	(1)	(2)		
11	31630-ZE2-E11	COIL ASSY., CHARGE (12V/18A)	1	-	-	-----	EDS5
	31630-ZE2-W01	1	-	-	-----	QNR6,QN18
	31630-ZE2-861	COIL ASSY., CHARGE (10A)	1	-	-	-----	HJA,HJA2,LKE,QKA4,QKE2,QMEO,QME1,QMP,QNE,QNE2,QNE6,QNE8,QNE9,QWC4 SCK4,SHW,SKA,SKAE,SME0,SME6,STC4,ZK1
			1	-	-	-----	2523059 SXX
			-	(1)	-		
			-	-	1	-----	1000105 SXXP
	31630-ZF6-U01	COIL ASSY., CHARGE (3.9A) ...	1	-	-	2523060	SXX
			-	-	1	1000106	SXXP
12	36101-ZE2-701	CORD, STOP SWITCH (430MM) ...	1	-	1	-----	BJ,ED8,ED9,ES1,HA,HAQ,HA2,HH,HJA,HJA2,HX,LH,LHB1,LHB3,LHC,LHE LHP1,LHW,LJ,LJG,LKE,LKF1,LMH,LP,LT,LTk,LTk1,LWD,LX,LXE,LXE2,LXE4 LXE8,LXQ4,LXU,LXZ,PX,PXE,PXE8,PXU,QA,QAE,QAE2,QAE6,QAQ,QA2,QA26 QDW9,QE,QH,QHB3,QHC,QHE,QHP1,QH2,QKA2,QKA4,QKE2,QK4,QMEO,QME1,QMH QMP,QNE,QNE2,QNE6,QNE8,QNE9,QNR6,QN18,QP,QT,QWA4,QWC4,QX,QXB,QXB7 QXC,QXC4,QXC6,QXC9,QXE,QXEB,QXE2,QXE4,QXE6,QXE7,QXE8,QXQ4,QXQ7 QXS4,QXU,SCK4,SE,SH,SHB1,SHB3,SHE,SHEZ,SHQ4,SHW,SJ,SJG,SKA,SKAE SMC1,SMD3,SME0,SME1,SME6,SMX,SM11,SN,SNC,SNC9,SNT2,STC4,SWA4,SWE SWX,SX,SXB,SXB7,SXC,SXE,SXEB,SXE4,SXE7,SXE8,SXX,SXXP,SXP,SXQ4,SXU VA,VAA,VAAE,VAA1,VAG2,VAP,VA2,VDE1,VE,VH,VHE,VMT,VMX,VNG1,VNG2 VPE4,VPX4,VSD,VSD4,VSD7,VTE1,VTE5,VVA,VWA2,VWT4,VX,VXB,VXB7,VXE VXEB,VXE2,VXE4,VXE6,VXE7,VXE8,VXFB,VXP,VXQP,VXQ4,VXTB,VXT1,VXU VXU1,VX8,YJ,ZK1
			-	(1)	-		
	36101-ZE3-800	CORD, STOP SWITCH (470MM) ...	1	-	-	-----	EDS,EDS1,EDS3,EDS5,EDS6,EDS7,EDT1,EDT5,EDT6,ED6,ES3,ES4,ES5,EWS1 EWS3,EWS4,EWS5,VSB1,VSB3,VTE2
13	36103-ZE1-000	HOLDER, STOP SWITCH CORD	1	-	1	-----	BJ,ED8,ES3,EWS1,EWS3,HH,LH,LHB1,LHB3,LHC,LHE,LHP1,LHW,LJ,LJG,LKE LMH,LP,LT,LWD,LXE,LXE4,LXE8,PXE,PXE8,QAE,QAE6,QE,QH,QHB3,QHC,QHE QHP1,QKA4,QKE2,QMEO,QME1,QMH,QMP,QNE,QNE6,QNE8,QNR6,QP,QT,QXE QXEB,QXE4,QXE6,QXE7,QXE8,SCK4,SE,SH,SHB1,SHB3,SHE,SHEZ,SHQ4,SJ SJG,SKA,SKAE,SMC1,SME0,SME1,SM11,SN,STC4,SWE,SXE,SXEB,SXE4,SXE7 SXE8,SXX,SXXP,VAAE,VAP,VE,VH,VHE,VMT,VNG2,VSB1,VTE1,VTE2,VTE5,VXE VXEB,VXE4,VXE6,VXE7,VXE8,VXFB,VXU1,YJ
			-	(1)	-		
			2	(N)	2	-----	EDS7,EDT5,ED6,LHP1,QAE,Q1,SMC1,VAP,VTE2,V1
			2	-	-	2184662	LWD
			2	-	-	2143012	VAA
			4	(4)	4	-----	EDS5,HJA,HJA2,LKE,LP,LT,L1,QKA4,QKE2,QMEO,QME1,QMP,QNE,QNE2,QNE6 QNE8,QNE9,QNR6,QN18,QP,QWC4,SCK4,SHW,SKA,SKAE,SME0,SME6,STC4,SWX SXX,SXXP,S1,ZK1
			-	(1)	-		
	90017-883-000	BOLT, FLANGE, 6X32	2	-	-	-----	EWS1,EWS3,EWS4,EWS5
	90012-888-000	BOLT, FLANGE, 6X40	4	-	-	2184663	LWD
15	90013-883-000	BOLT, FLANGE, 6X12(CT200) ...	1	-	1	-----	EDS,EDS1,EDS3,EDS5,EDS7,EDT5,ED6,ES4,ES5,EWS1,EWS3,EWS4,EWS5,HJA HJA2,LHE,LHP1,LKE,LKF1,LP,LT,LTk,LTk1,LWD,LXE,LXE2,LXE4,LXE8,PXE PXE8,QAE,QAE2,QAE6,QHE,QKA4,QKE2,QMEO,QME1,QMP,QNE,QNE2,QNE6,QNE8 QNE9,QNR6,QN18,QP,QWC4,QXE,QXEB,QXE2,QXE4,QXE6,QXE7,QXE8,SCK4,SHE SHEZ,SHW,SKA,SKAE,SMC1,SME0,SME1,SME6,STC4,SWE,SWX,SXE,SXEB,SXE4 SXE7,SXE8,SXX,SXXP,VAAE,VAP,VDE1,VHE,VMT,VNG2,VSB3,VSD4,VTE1,VTE2 VTE5,VVA,VWA2,VXE,VXEB,VXE2,VXE4,VXE6,VXE7,VXE8,VXFB,VXP,VXQP VXU1,ZK1
			1	-	-	2643256	VPE4
			1	-	-	2143012	2282696 VAA
			-	(1)	-		





Ref. No.	Part No.	Description	Reqd. QTY			Serial No.	Parts catalogue code
			GX390K1	(1)	(2)		
16	90014-ZE6-000	BOLT, FLANGE, 6X35	2	-	-	EDS,EDS1,EDS3,EDS6,EDS7,ES4,ES5,EWS4,EWS5,LHE,LTk,LTk1,LXE,LXE2,LXE4,LXE8,PXE,PXE8,QAE,QAE6,QHE,QXE,QXEB,QXE2,QXE4,QXE6,QXE7,QXE8,SHE,SHEZ,SME1,SWE,SXE,SXEB,SXE4,SXE7,SXE8,VAAE,VDE1,VHE,VMT,VNG2, VSB3,VSD4,VTE1,VTE5,VWA,VWA2,VXE,VXEB,VXE2,VXE4,VXE6,VXE7,VXE8,VXFB,VXU1	
			2	-	-	2643256	VPE4
	90012-888-000	BOLT, FLANGE, 6X40	2	(2)	-		QAE2
	90013-883-000	BOLT, FLANGE, 6X12(CT200)	2	-	-		LKF1
17	90015-883-000	BOLT, FLANGE, 6X28	2	-	2	BJ,EDS,EDS1,EDS3,EDS5,EDS6,EDS7,EDT1,EDT5,EDT6,ED6,ED8,ED9,ES1,ES3,ES4,ES5,EWS1,EWS3,EWS4,EWS5,HA,HAQ,HA2,HH,HJA,HJA2,HX,LH,LHB1,LHB3,LHC,LHE,LHP1,LHW,LJ,LJG,LKE,LKF1,LMH,LP,LT,LTk,LTk1,LWD,LX,LXE,LXE2,LXE4,LXE8,LXQ4,LXU,LXZ,PX,PXE,PXE8,PXU,QA,QAE,QAE2,QAE6,QAQ,QA2,QA26,QDW9,QE,QH,QHB3,QHC,QHE,QHP1,QH2,QKA2,QKA4,QKE2,QK4,QME0,QME1,QMH,QMP,QNE,QNE2,QNE6,QNE8,QNE9,QNR6,QN18,QP,QT,QWA4,QWC4,QX,QXB,QXB7,QXC,QXC4,QXC6,QXC9,QXE,QXEB,QXE2,QXE4,QXE6,QXE7,QXE8,QXQ4,QXQ7,QXS4,QXU,SCK4,SE,SH,SHB1,SHB3,SHE,SHEZ,SHQ4,SHW,SJ,SJG,SKA,SKAE,SMC1,SMD3,SMEO,SME1,SME6,SMX,SM11,SN,SNC,SNC9,SNT2,STC4,SWA4,SWE,SWX,SX,SXB,SXB7,SXC,SXE,SXEB,SXE4,SXE7,SXE8,SXK,SXKP,SXP,SXQ4,SXU,VA,VAA,VAAE,VAA1,VAG2,VAP,VA2,VDE1,VE,VH,VHE,VMT,VMX,VNG1,VNG2,VPE4,VPX4, VSB1, VSB3, VSD, VSD4, VSD7, VTE1, VTE2, VTE5, VWA, VWA2, VWT4, VX, VXB, VXB7, VXE, VXEB, VXE2, VXE4, VXE6, VXE7, VXE8, VXFB, VXP, VXQP, VXQ4, VXTB, VXT1, VXU, VXU1, VX8, YJ, ZK1	
	18 90684-ZA0-601	CLIP, HARNESS	-	2	-		EDS1,EDT1,EDT5,EDT6,QWA4,QWC4,QXS4,SMX,SXC,VAA1,VXT1
	19 31600-890-951	RECTIFIER ASSY., REGULATOR	1	-	-		ZK1
	20 32100-ZE3-L60	HARNESS ASSY., ENGINE	1	-	-		ZK1
	21 91406-166-000	CLIP, WIRE	2	-	-		ZK1



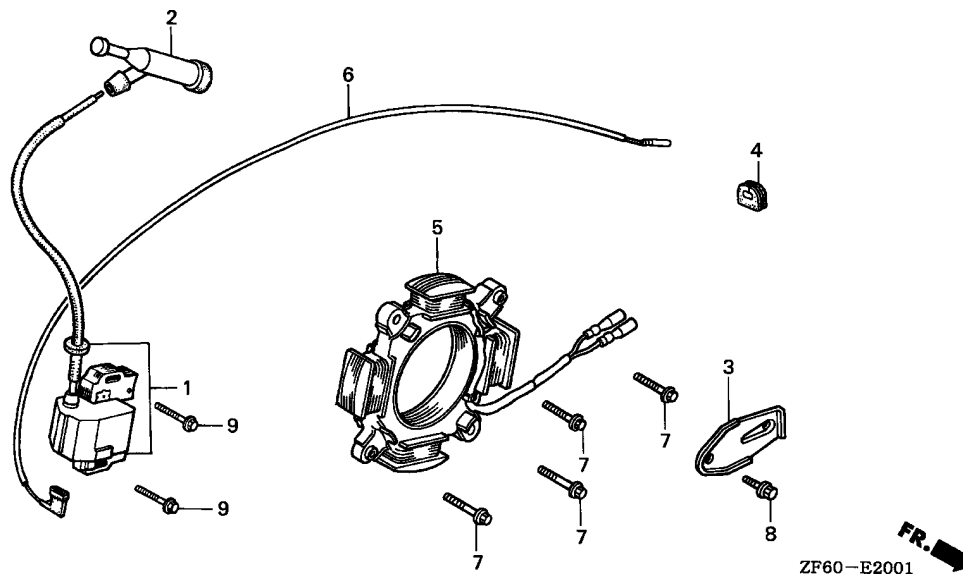
Ref. No.	Part No.	Description	Reqd. QTY			Serial No.	Parts catalogue code
			GX390K1				
			(1)	(2)	(3)		
22	95701-06025-00	BOLT, FLANGE, 6X25	2	-	-	-----	ZK1
23	30410-ZE3-003	COIL, PULSER	-	-	1	-----	SXKP
24	30500-ZE3-003	COIL ASSY., IGNITION	-	-	1	-----	SXKP
25	30505-ZE6-000	GROMMET, HIGH TENSION CORD ..	-	-	1	-----	SXKP
26	90014-952-000	BOLT, FLANGE, 6X14(CT200) ...	-	-	1	-----	SXKP



E-20-1

IGNITION COIL(2)

N10



Service item	F.R.T.
TERMINAL ASSY., HIGH TENSION	0.1
COIL ASSY., IGNITION	0.2
COIL ASSY., CHARGE	0.4

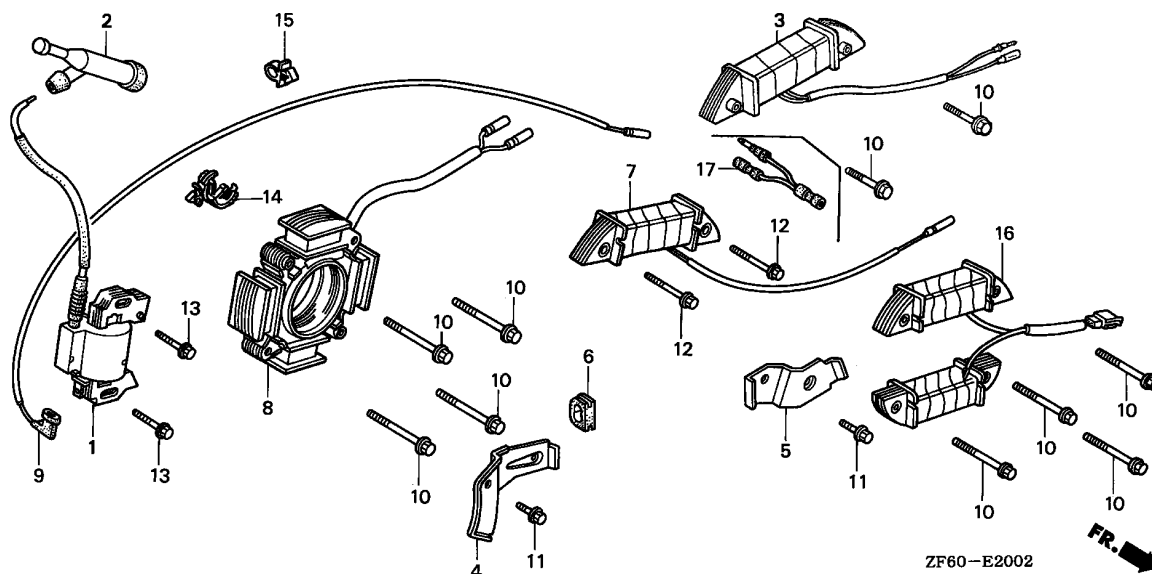
2

Ref. No.	Part No.	Description	Reqd. QTY			Serial No.	Parts catalogue code
			GX390K1				
			(1)	(2)	(3)		
1	30500-ZF6-W02	COIL ASSY., IGNITION	1	-	-	-----	LWD1
2	30600-ZE1-013	TERMINAL ASSY., HIGH TENSION (NICHIIWA Y-EZ)	1	-	-	-----	LWD1
3	31511-ZE2-W00	CLAMPER, CORD	1	-	-	-----	LWD1
4	31512-ZE2-000	GROMMET, CORD	1	-	-	-----	LWD1
5	31630-ZE2-W01	COIL ASSY., CHARGE (12V/18A)	1	-	-	-----	LWD1
6	36101-ZE2-701	CORD, STOP SWITCH (430MM)	1	-	-	-----	LWD1
7	90012-888-000	BOLT, FLANGE, 6X40	4	-	-	-----	LWD1
8	90013-883-000	BOLT, FLANGE, 6X12(CT200)	1	-	-	-----	LWD1
9	90015-883-000	BOLT, FLANGE, 6X28	2	-	-	-----	LWD1

E-20-2

IGNITION COIL(3)

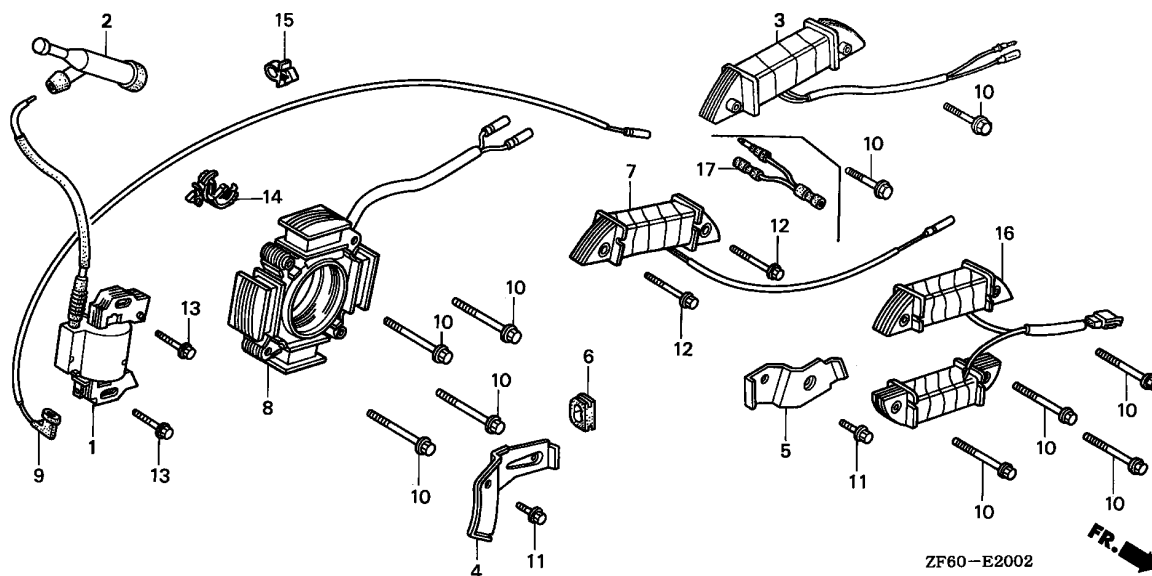
N11



Service item	F.R.T.
CAP ASSY., NOISE SUPPRESSOR ..	0.1
COIL ASSY., IGNITION	0.2
CORD, STOP SWITCH	0.3
COIL ASSY., CHARGE	0.4

Ref. No.	Part No.	Description	Reqd. QTY			Serial No.	Parts catalogue code
			(1)	(2)	(3)		
1	30500-ZF6-W02	COIL ASSY., IGNITION	1	-	1	-----	EDD2,EDS2,EN6,LX2,PAE2,PA2,QAP,QAW,QKB2,QND,QNK,QNR2,QWA2,QWH2 QWT2,SM32,SX2,VAC2,VCN2,VC2,VDB2,VDE2,VD2,VJE2,VJ2,VKB2,VK2,VMA2 VME2,VM2,VN17,VN27,VPE7,VPX7
2	30700-ZE1-013	CAP ASSY., NOISE SUPPRESSOR (NICHIIWA Y-EZ RTFM256)	1	-	1	-----	EDD2,EDS2,EN6,LX2,PAE2,PA2,QAP,QAW,QKB2,QND,QNK,QNR2,QWA2,QWH2 QWT2,SM32,SX2,VAC2,VCN2,VC2,VDB2,VDE2,VD2,VJE2,VJ2,VKB2,VK2,VMA2 VME2,VM2,VN17,VN27,VPE7,VPX7
3	31510-ZE1-811	COIL ASSY., LAMP (12V/25W) ..	1	-	-	-----	EN6,VMA2,VM2
	31510-ZE3-003	1	-	-	-----	EDD2,VME2
4	31511-ZE3-000	CLAMPER, CORD	1	-	-	-----	EDD2,EDS2,EN6,PAE2,QKB2,QNK,QWA2,SM32,VCN2,VC2,VDB2,VDE2,VJE2 VKB2,VK2,VMA2,VME2,VM2,VN27,VPE7
5	31511-ZE2-W00	CLAMPER, CORD	1	-	-	-----	QND,QNR2,QWH2
6	31512-ZE2-000	GROMMET, CORD	1	-	1	-----	EDD2,EDS2,EN6,LX2,PAE2,PA2,QAP,QAW,QKB2,QND,QNK,QNR2,QWA2,QWH2 QWT2,SM32,SX2,VAC2,VCN2,VC2,VDB2,VDE2,VD2,VJE2,VJ2,VKB2,VK2,VMA2 VME2,VM2,VN17,VN27,VPE7,VPX7
7	31630-ZE1-003	COIL ASSY., CHARGE (1A)	1	-	-	-----	EDS2,VCN2,VC2,VDE2,VJE2,VKB2,VME2,VPE7
	31630-ZE2-841	COIL ASSY., CHARGE (3A)	1	-	-	-----	PAE2,QKB2,VDB2,VK2,VN27
	31630-ZF5-801	COIL ASSY., CHARGE (1A)	1	-	-	-----	EDD2
8	31630-ZE2-W01	COIL ASSY., CHARGE (12V/18A)	1	-	-	-----	QND,QNR2,QWH2
9	36101-ZE2-701	CORD, STOP SWITCH (430MM) ...	1	-	1	-----	LX2,PAE2,PA2,QAP,QAW,QKB2,QND,QNK,QNR2,QWA2,QWH2,QWT2,SM32,VAC2 VCN2,VC2,VDB2,VDE2,VD2,VJE2,VJ2,VKB2,VK2,VMA2,VME2,VM2,VN17,VN27 VPE7,VPX7
	36101-ZE3-800	CORD, STOP SWITCH (470MM) ...	1	-	-	-----	EDD2,EDS2,EN6
10	90012-888-000	BOLT, FLANGE, 6X40	2	-	-	-----	EDD2,EN6,VMA2,VME2,VM2
			4	-	-	-----	QND,QNK,QNR2,QWA2,QWH2,SM32
11	90013-883-000	BOLT, FLANGE, 6X12(CT200) ...	1	-	-	-----	EDD2,EDS2,EN6,PAE2,QKB2,QND,QNK,QNR2,QWA2,QWH2,SM32,VCN2,VC2,VDB2 VDE2,VJE2,VKB2,VK2,VMA2,VME2,VM2,VN27,VPE7

2

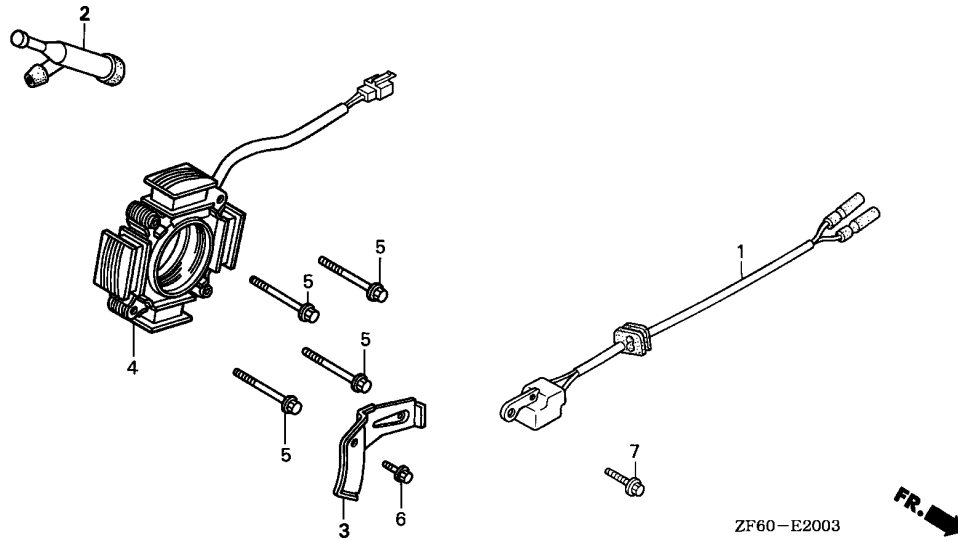


Ref. No.	Part No.	Description	Reqd. QTY			Serial No.	Parts catalogue code
			(1)	(2)	(3)		
12	90014-ZE6-000	BOLT, FLANGE, 6X35	2	-	-	-----	EDD2,EDS2,VCN2,VC2,VDE2,VJE2,VKB2,VME2,VPE7
	90012-888-000	BOLT, FLANGE, 6X40	2	-	-	-----	PAE2,QKB2,VDB2,VK2,VN27
13	90015-883-000	BOLT, FLANGE, 6X28	2	-	2	-----	EDD2,EDS2,EN6,LX2,PAE2,PA2,QAP,QAW,QKB2,QND,QNK,QNR2,QWA2,QWH2,QWT2,SM32, SX2,VAC2,VCN2,VC2,VDB2,VDE2,VD2,VJE2,VJ2,VKB2,VK2,VMA2,VME2,VM2,VN17,VN27,VPE7,VPX7
14	90684-ZA0-601	CLIP, HARNESS	1	-	1	-----	EN6,PA2,QAP,QAW,QWA2,QWA4,QWC4,QWT2,VAC2,VDB2,VD2,VJ2,VM2,VN17,VPX7
15	36103-ZE1-000	HOLDER, STOP SWITCH CORD	1	-	-	-----	PAE2,SM32,VC2,VJE2,VKB2,VME2,VN27
16	31630-ZE2-861	COIL ASSY., CHARGE (10A)	1	-	-	-----	QNK,QWA2,SM32
17	32197-ZH8-003	SUB HARNESS	1	-	-	-----	EN6,VDB2

E-20-3

IGNITION COIL(4)

N13



Service item	F.R.T.
CAP ASSY., NOISE SUPPRESSOR ..	0.1
COIL ASSY., PULSER	0.3
COIL ASSY., CHARGE	0.4

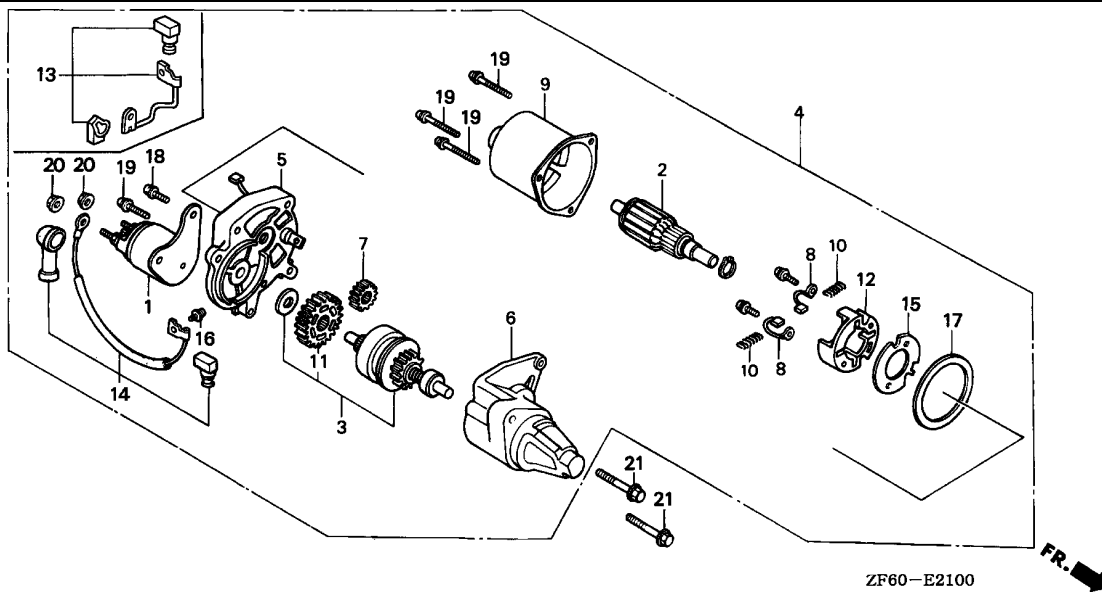
Ref. No.	Part No.	Description	Reqd. QTY			Serial No.	Parts catalogue code
			GX390K1	(1)	(2)		
1	30310-ZK6-003	COIL ASSY., PULSER	1	-	-	-----	SXK1
2	30700-ZE1-013	CAP ASSY., NOISE SUPPRESSOR (NICHIIWA Y-EZ RTFM256)	1	-	-	-----	SXK1
3	31511-ZE2-W00	CLAMPER, CORD	1	-	-	-----	SXK1
4	31630-ZK6-003	COIL ASSY., CHARGE (8A)	1	-	-	-----	SXK1
5	90012-888-000	BOLT, FLANGE, 6X40	4	-	-	-----	SXK1
6	90013-883-000	BOLT, FLANGE, 6X12(CT200) ...	1	-	-	-----	SXK1
7	90014-952-000	BOLT, FLANGE, 6X14(CT200) ...	1	-	-	-----	SXK1

2

E-21

STARTER MOTOR(1)

N14



Service item	F.R.T.
CONTACTOR ASSY.	0.2
.MOTOR UNIT, STARTER	
BRACKET, FR.	0.3
ARMATURE COMP.	0.4
.BRACKET, CENTER	
.BRUSH	
.CLUTCH COMP., OVERRUNNING	

ZF60-E2100

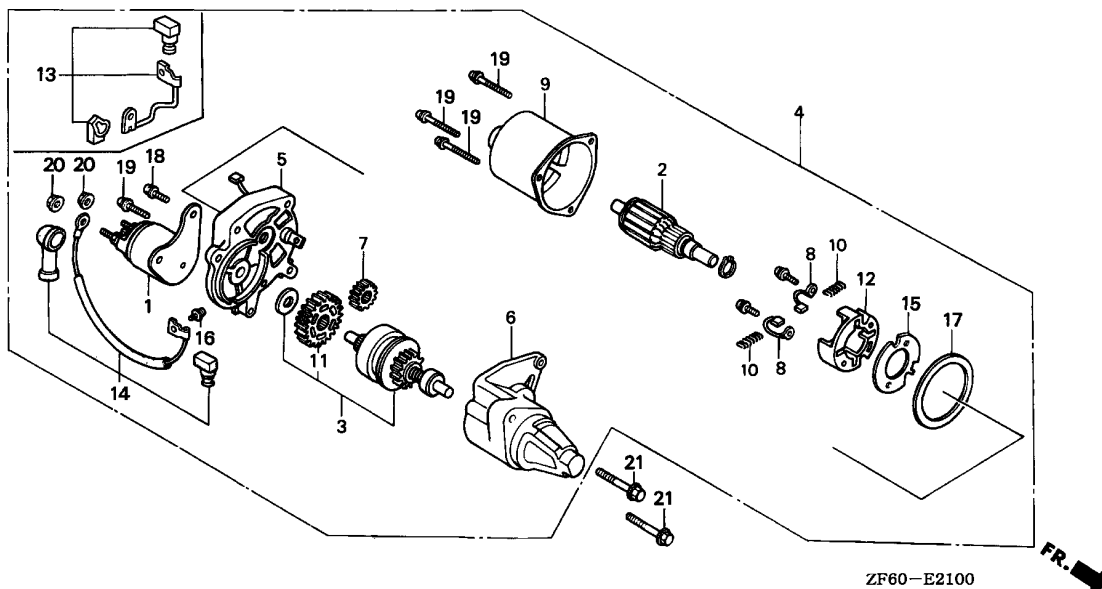


Ref. No.	Part No.	Description	Reqd. QTY			Serial No.	Parts catalogue code
			GX390K1	(1)	(2)		
1	31204-ZA0-003	CONTACTOR ASSY.	1	-	1	-----	EDD2,EDS,EDS1,EDS2,EDS3,EDS5,EDS6,EDS7,ES4,ES5,EWS4,EWS5,LHE,LKE LKF1,LTK,LTK1,LWD,LXE,LXE2,LXE4,LXE8,PAE2,PXE,PXE8,QAE,QAE2,QAE6 QHE,QKA4,QKB2,QKE2,QMEO,QME1,QMP,QND,QNE,QNE2,QNE6,QNE8,QNE9,QNK QNR2,QNR6,QN18,QWH2,QXE,QXEB,QXE2,QXE4,QXE6,QXE7,QXE8,SCK4,SHE SHEZ,SHW,SKA,SKAE,SME0,SME1,SM32,STC4,SWE,SXE,SXEB,SXE4,SXE7,SXE8 VAAE,VAP,VCN2,VC2,VDB2,VDE1,VDE2,VHE,VJE2,VKB2,VK2,VME2,VMT,VNG2 VN27,VPE4,VPE7,VSBB,VSDB,VTE1,VTE5,VWA,VWA2,VWT4,VXE,VXEB,VXE2 VXE4,VXE6,VXE7,VXE8,VXFB,VXU1,ZK1
2	31206-ZE3-003	ARMATURE COMP.	-	(1)	-	-----	EDD2,EDS,EDS1,EDS2,EDS3,EDS5,EDS6,EDS7,ES4,ES5,EWS4,EWS5,LHE,LKE LKF1,LTK,LTK1,LWD,LXE,LXE2,LXE4,LXE8,PAE2,PXE,PXE8,QAE,QAE2,QAE6 QHE,QKA4,QKB2,QKE2,QMEO,QME1,QMP,QND,QNE,QNE2,QNE6,QNE8,QNE9,QNK QNR2,QNR6,QN18,QWH2,QXE,QXEB,QXE2,QXE4,QXE6,QXE7,QXE8,SCK4,SHE SHEZ,SHW,SKA,SKAE,SME0,SME1,SM32,STC4,SWE,SXE,SXEB,SXE4,SXE7,SXE8 VAAE,VAP,VCN2,VC2,VDB2,VDE1,VDE2,VHE,VJE2,VKB2,VK2,VME2,VMT,VNG2 VN27,VPE4,VPE7,VSBB,VSDB,VTE1,VTE5,VWA,VWA2,VWT4,VXE,VXEB,VXE2 VXE4,VXE6,VXE7,VXE8,VXFB,VXU1,ZK1
3	31207-ZE3-003	CLUTCH COMP., OVERRUNNING ...	-	(1)	-	-----	EDD2,EDS,EDS1,EDS2,EDS3,EDS5,EDS6,EDS7,ES4,ES5,EWS4,EWS5,LHE,LKE LKF1,LTK,LTK1,LWD,LXE,LXE2,LXE4,LXE8,PAE2,PXE,PXE8,QAE,QAE2,QAE6 QHE,QKA4,QKB2,QKE2,QMEO,QME1,QMP,QND,QNE,QNE2,QNE6,QNE8,QNE9,QNK QNR2,QNR6,QN18,QWH2,QXE,QXEB,QXE2,QXE4,QXE6,QXE7,QXE8,SCK4,SHE SHEZ,SHW,SKA,SKAE,SME0,SME1,SM32,STC4,SWE,SXE,SXEB,SXE4,SXE7,SXE8 VAAE,VAP,VCN2,VC2,VDB2,VDE1,VDE2,VHE,VJE2,VKB2,VK2,VME2,VMT,VNG2 VN27,VPE4,VPE7,VSBB,VSDB,VTE1,VTE5,VWA,VWA2,VWT4,VXE,VXEB,VXE2 VXE4,VXE6,VXE7,VXE8,VXFB,VXU1,ZK1
4	31210-ZB8-013	MOTOR UNIT, STARTER	-	(1)	-	-----	EDS5

2

Ref. No.	Part No.	Description	Reqd. QTY			Serial No.	Parts catalogue code
			(1)	(2)	(3)		
(4)	31210-ZE3-013	MOTOR UNIT, STARTER	1	-	1	-----	EDD2,EDS,EDS1,EDS2,EDS3,EDS6,EDS7,ES4,ES5,EWS4,EWS5,LHE,LKE,LKF1 LTK,LTK1,LWD,LXE,LXE2,LXE4,LXE8,PAE2,PXE,PXE8,QAQ,QAQ2,QAQ6,QHE QKA4,QKB2,QKE2,QMEO,QME1,QMP,QND,QNE,QNE2,QNE6,QNE8,QNE9,QNK,QNR2 QNR6,QN18,QWH2,QXE,QXEB,QXE2,QXE4,QXE6,QXE7,QXE8,SCK4,SHE,SHEZ SHW,SKA,SKAE,SME0,SME1,SM32,STC4,SWE,SXE,SXEB,SXE4,SXE7,SXE8,VAAE VAP,VCN2,VC2,VDB2,VDE1,VDE2,VHE,VJE2,VKB2,VK2,VME2,VMT,VNG2,VN27 VPE4,VPE7,VSBS,VSD4,VTE1,VTE5,VWA,VWA2,VWT4,VXE,VXEB,VXE2,VXE4 VXE6,VXE7,VXE8,VXFB,VXU1,ZK1
5	31211-ZE2-003	BRACKET, CENTER	-	(1)	-	-----	EDD2,EDS,EDS1,EDS2,EDS3,EDS5,EDS6,EDS7,ES4,ES5,EWS4,EWS5,LHE,LKE LKF1,LTK,LTK1,LWD,LXE,LXE2,LXE4,LXE8,PAE2,PXE,PXE8,QAQ,QAQ2,QAQ6 QHE,QKA4,QKB2,QKE2,QMEO,QME1,QMP,QND,QNE,QNE2,QNE6,QNE8,QNE9,QNK QNR2,QNR6,QN18,QWH2,QXE,QXEB,QXE2,QXE4,QXE6,QXE7,QXE8,SCK4,SHE SHEZ,SHW,SKA,SKAE,SME0,SME1,SM32,STC4,SWE,SXE,SXEB,SXE4,SXE7,SXE8 VAAE,VAP,VCN2,VC2,VDB2,VDE1,VDE2,VHE,VJE2,VKB2,VK2,VME2,VMT,VNG2 VN27,VPE4,VPE7,VSBS,VSD4,VTE1,VTE5,VWA,VWA2,VWT4,VXE,VXEB,VXE2 VXE4,VXE6,VXE7,VXE8,VXFB,VXU1,ZK1
6	31212-ZE3-003	BRACKET, FR.	1	-	1	-----	EDD2,EDS,EDS1,EDS2,EDS3,EDS5,EDS6,EDS7,ES4,ES5,EWS4,EWS5,LHE,LKE LKF1,LTK,LTK1,LWD,LXE,LXE2,LXE4,LXE8,PAE2,PXE,PXE8,QAQ,QAQ2,QAQ6 QHE,QKA4,QKB2,QKE2,QMEO,QME1,QMP,QND,QNE,QNE2,QNE6,QNE8,QNE9,QNK QNR2,QNR6,QN18,QWH2,QXE,QXEB,QXE2,QXE4,QXE6,QXE7,QXE8,SCK4,SHE SHEZ,SHW,SKA,SKAE,SME0,SME1,SM32,STC4,SWE,SXE,SXEB,SXE4,SXE7,SXE8 VAAE,VAP,VCN2,VC2,VDB2,VDE1,VDE2,VHE,VJE2,VKB2,VK2,VME2,VMT,VNG2 VN27,VPE4,VPE7,VSBS,VSD4,VTE1,VTE5,VWA,VWA2,VWT4,VXE,VXEB,VXE2 VXE4,VXE6,VXE7,VXE8,VXFB,VXU1,ZK1
7	31213-ZE2-003	GEAR, DRIVE PINION	-	(1)	-	-----	EDD2,EDS,EDS1,EDS2,EDS3,EDS5,EDS6,EDS7,ES4,ES5,EWS4,EWS5,LHE,LKE LKF1,LTK,LTK1,LWD,LXE,LXE2,LXE4,LXE8,PAE2,PXE,PXE8,QAQ,QAQ2,QAQ6 QHE,QKA4,QKB2,QKE2,QMEO,QME1,QMP,QND,QNE,QNE2,QNE6,QNE8,QNE9,QNK QNR2,QNR6,QN18,QWH2,QXE,QXEB,QXE2,QXE4,QXE6,QXE7,QXE8,SCK4,SHE SHEZ,SHW,SKA,SKAE,SME0,SME1,SM32,STC4,SWE,SXE,SXEB,SXE4,SXE7,SXE8 VAAE,VAP,VCN2,VC2,VDB2,VDE1,VDE2,VHE,VJE2,VKB2,VK2,VME2,VMT,VNG2 VN27,VPE4,VPE7,VSBS,VSD4,VTE1,VTE5,VWA,VWA2,VWT4,VXE,VXEB,VXE2 VXE4,VXE6,VXE7,VXE8,VXFB,VXU1,ZK1
8	31215-ZE2-003	BRUSH	-	(1)	-	-----	EDD2,EDS,EDS1,EDS2,EDS3,EDS5,EDS6,EDS7,ES4,ES5,EWS4,EWS5,LHE,LKE LKF1,LTK,LTK1,LWD,LXE,LXE2,LXE4,LXE8,PAE2,PXE,PXE8,QAQ,QAQ2,QAQ6 QHE,QKA4,QKB2,QKE2,QMEO,QME1,QMP,QND,QNE,QNE2,QNE6,QNE8,QNE9,QNK QNR2,QNR6,QN18,QWH2,QXE,QXEB,QXE2,QXE4,QXE6,QXE7,QXE8,SCK4,SHE SHEZ,SHW,SKA,SKAE,SME0,SME1,SM32,STC4,SWE,SXE,SXEB,SXE4,SXE7,SXE8 VAAE,VAP,VCN2,VC2,VDB2,VDE1,VDE2,VHE,VJE2,VKB2,VK2,VME2,VMT,VNG2 VN27,VPE4,VPE7,VSBS,VSD4,VTE1,VTE5,VWA,VWA2,VWT4,VXE,VXEB,VXE2 VXE4,VXE6,VXE7,VXE8,VXFB,VXU1,ZK1
9	31218-ZE3-003	YOKE COMP.	-	(2)	-	-----	EDD2,EDS,EDS1,EDS2,EDS3,EDS5,EDS6,EDS7,ES4,ES5,EWS4,EWS5,LHE,LKE LKF1,LTK,LTK1,LWD,LXE,LXE2,LXE4,LXE8,PAE2,PXE,PXE8,QAQ,QAQ2,QAQ6 QHE,QKA4,QKB2,QKE2,QMEO,QME1,QMP,QND,QNE,QNE2,QNE6,QNE8,QNE9,QNK QNR2,QNR6,QN18,QWH2,QXE,QXEB,QXE2,QXE4,QXE6,QXE7,QXE8,SCK4,SHE SHEZ,SHW,SKA,SKAE,SME0,SME1,SM32,STC4,SWE,SXE,SXEB,SXE4,SXE7,SXE8 VAAE,VAP,VCN2,VC2,VDB2,VDE1,VDE2,VHE,VJE2,VKB2,VK2,VME2,VMT,VNG2 VN27,VPE4,VPE7,VSBS,VSD4,VTE1,VTE5,VWA,VWA2,VWT4,VXE,VXEB,VXE2 VXE4,VXE6,VXE7,VXE8,VXFB,VXU1,ZK1

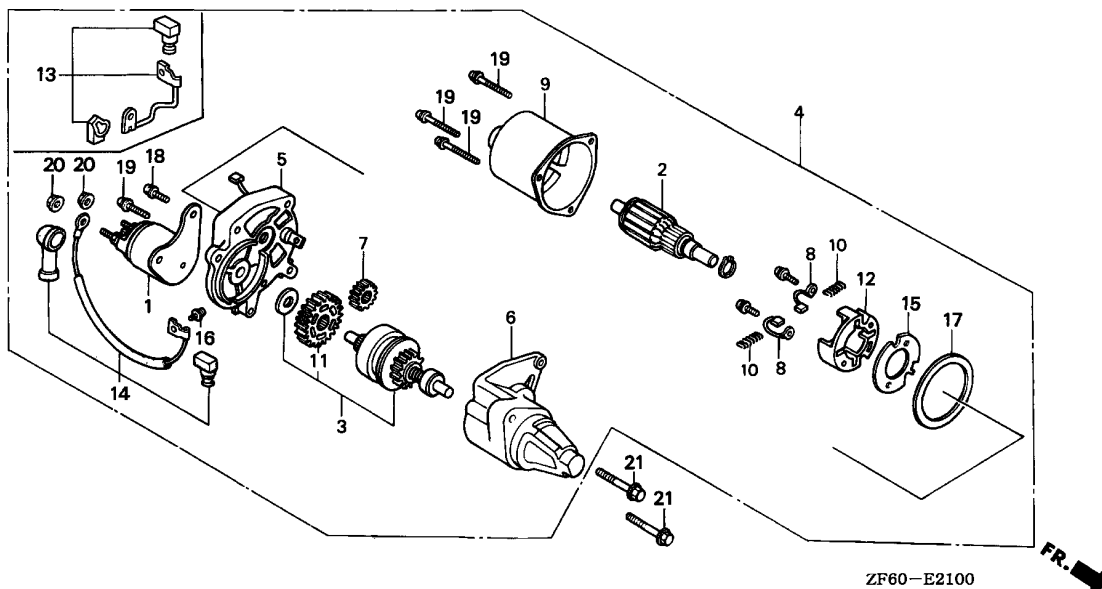




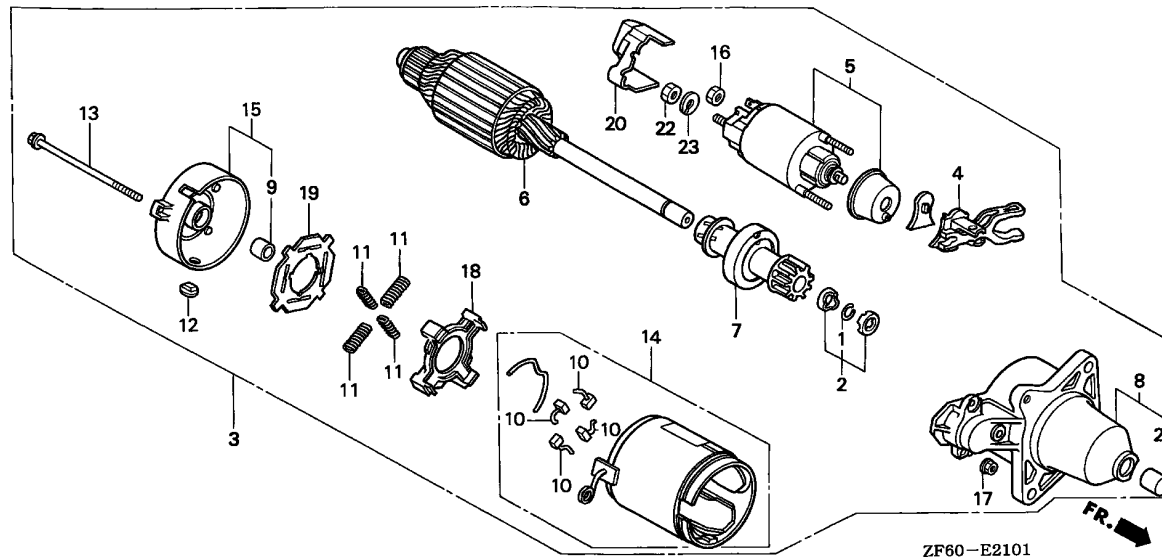
Ref. No.	Part No.	Description	Reqd. QTY			Serial No.	Parts catalogue code
			(1)	(2)	(3)		
10	31219-ZE2-003	SPRING, BRUSH RETURN	4	-	4	-----	EDD2,EDS,EDS1,EDS2,EDS3,EDS5,EDS6,EDS7,ES4,ES5,EWS4,EWS5,LHE,LKE LKF1,LTK,LTK1,LWD,LXE,LXE2,LXE4,LXE8,PAE2,PXE,PXE8,QAE,QAE2,QAE6 QHE,QKA4,QKB2,QKE2,QME0,QME1,QMP,QND,QNE,QNE2,QNE6,QNE8,QNE9,QNK QNR2,QNR6,QN18,QWH2,QXE,QXEB,QXE2,QXE4,QXE6,QXE7,QXE8,SCK4,SHE SHEZ,SHW,SKA,SKAE,SME0,SME1,SM32,STC4,SWE,SXE,SXEB,SXE4,SXE7,SXE8 VAAE,VAP,VCN2,VC2,VDB2,VDE1,VDE2,VHE,VJE2,VKB2,VK2,VME2,VMT,VNG2 VN27,VPE4,VPE7,VSBB3,VSD4,VTE1,VTE5,VWA,VWA2,VWT4,VXE,VXEB,VXE2 VXE4,VXE6,VXE7,VXE8,VXFB,VXU1,ZK1
			-	(4)	-		
11	31222-ZE3-791	GEAR, REDUCTION	1	-	1	-----	EDD2,EDS,EDS1,EDS2,EDS3,EDS5,EDS6,EDS7,ES4,ES5,EWS4,EWS5,LHE,LKE LKF1,LTK,LTK1,LWD,LXE,LXE2,LXE4,LXE8,PAE2,PXE,PXE8,QAE,QAE2,QAE6 QHE,QKA4,QKB2,QKE2,QME0,QME1,QMP,QND,QNE,QNE2,QNE6,QNE8,QNE9,QNK QNR2,QNR6,QN18,QWH2,QXE,QXEB,QXE2,QXE4,QXE6,QXE7,QXE8,SCK4,SHE SHEZ,SHW,SKA,SKAE,SME0,SME1,SM32,STC4,SWE,SXE,SXEB,SXE4,SXE7,SXE8 VAAE,VAP,VCN2,VC2,VDB2,VDE1,VDE2,VHE,VJE2,VKB2,VK2,VME2,VMT,VNG2 VN27,VPE4,VPE7,VSBB3,VSD4,VTE1,VTE5,VWA,VWA2,VWT4,VXE,VXEB,VXE2 VXE4,VXE6,VXE7,VXE8,VXFB,VXU1,ZK1
12	31231-ZE2-003	HOLDER, BRUSH	-	(1)	-	-----	EDD2,EDS,EDS1,EDS2,EDS3,EDS5,EDS6,EDS7,ES4,ES5,EWS4,EWS5,LHE,LKE LKF1,LTK,LTK1,LWD,LXE,LXE2,LXE4,LXE8,PAE2,PXE,PXE8,QAE,QAE2,QAE6 QHE,QKA4,QKB2,QKE2,QME0,QME1,QMP,QND,QNE,QNE2,QNE6,QNE8,QNE9,QNK QNR2,QNR6,QN18,QWH2,QXE,QXEB,QXE2,QXE4,QXE6,QXE7,QXE8,SCK4,SHE SHEZ,SHW,SKA,SKAE,SME0,SME1,SM32,STC4,SWE,SXE,SXEB,SXE4,SXE7,SXE8 VAAE,VAP,VCN2,VC2,VDB2,VDE1,VDE2,VHE,VJE2,VKB2,VK2,VME2,VMT,VNG2 VN27,VPE4,VPE7,VSBB3,VSD4,VTE1,VTE5,VWA,VWA2,VWT4,VXE,VXEB,VXE2 VXE4,VXE6,VXE7,VXE8,VXFB,VXU1,ZK1
13	31232-ZB7-003	WIRE, WATER COVER	-	(1)	-	-----	EDS5

Ref. No.	Part No.	Description	Reqd. QTY			Serial No.	Parts catalogue code
			(1)	(2)	(3)		
14	31232-ZE3-003	WIRE, WATER COVER	1	-	1	-----	EDD2,EDS,EDS1,EDS2,EDS3,EDS6,EDS7,ES4,ES5,EWS4,EWS5,LHE,LKE,LKF1 LTK,LTK1,LWD,LXE,LXE2,LXE4,LXE8,PAE2,PXE,PXE8,QAE,QAE2,QAE6,QHE QKA4,QKB2,QKE2,QMEO,QME1,QMP,QND,QNE,QNE2,QNE6,QNE8,QNE9,QNK,QNR2 QNR6,QN18,QWH2,QXE,QXEB,QXE2,QXE4,QXE6,QXE7,QXE8,SCK4,SHE,SHEZ SHW,SKA,SKAE,SME0,SME1,SM32,STC4,SWE,SXE,SXEB,SXE4,SXE7,SXE8,VAAE VAP,VCN2,VC2,VDB2,VDE1,VDE2,VHE,VJE2,VKB2,VK2,VME2,VMT,VNG2,VN27 VPE4,VPE7,VSBS,VSD4,VTE1,VTE5,VWA,VWA2,VWT4,VXE,VXEB,VXE2,VXE4 VXE6,VXE7,VXE8,VXFB,VXU1,ZK1
15	31233-ZE2-003	INSULATOR	-	(1)	-	-----	EDD2,EDS,EDS1,EDS2,EDS3,EDS5,EDS6,EDS7,ES4,ES5,EWS4,EWS5,LHE,LKE LKF1,LTK,LTK1,LWD,LXE,LXE2,LXE4,LXE8,PAE2,PXE,PXE8,QAE,QAE2,QAE6 QHE,QKA4,QKB2,QKE2,QMEO,QME1,QMP,QND,QNE,QNE2,QNE6,QNE8,QNE9,QNK QNR2,QNR6,QN18,QWH2,QXE,QXEB,QXE2,QXE4,QXE6,QXE7,QXE8,SCK4,SHE SHEZ,SHW,SKA,SKAE,SME0,SME1,SM32,STC4,SWE,SXE,SXEB,SXE4,SXE7,SXE8 VAAE,VAP,VCN2,VC2,VDB2,VDE1,VDE2,VHE,VJE2,VKB2,VK2,VME2,VMT,VNG2 VN27,VPE4,VPE7,VSBS,VSD4,VTE1,VTE5,VWA,VWA2,VWT4,VXE,VXEB,VXE2 VXE4,VXE6,VXE7,VXE8,VXFB,VXU1,ZK1
16	90110-ZE2-003	SCREW-WASHER, 4X6	1	-	1	-----	EDD2,EDS,EDS1,EDS2,EDS3,EDS5,EDS6,EDS7,ES4,ES5,EWS4,EWS5,LHE,LKE LKF1,LTK,LTK1,LWD,LXE,LXE2,LXE4,LXE8,PAE2,PXE,PXE8,QAE,QAE2,QAE6 QHE,QKA4,QKB2,QKE2,QMEO,QME1,QMP,QND,QNE,QNE2,QNE6,QNE8,QNE9,QNK QNR2,QNR6,QN18,QWH2,QXE,QXEB,QXE2,QXE4,QXE6,QXE7,QXE8,SCK4,SHE SHEZ,SHW,SKA,SKAE,SME0,SME1,SM32,STC4,SWE,SXE,SXEB,SXE4,SXE7,SXE8 VAAE,VAP,VCN2,VC2,VDB2,VDE1,VDE2,VHE,VJE2,VKB2,VK2,VME2,VMT,VNG2 VN27,VPE4,VPE7,VSBS,VSD4,VTE1,VTE5,VWA,VWA2,VWT4,VXE,VXEB,VXE2 VXE4,VXE6,VXE7,VXE8,VXFB,VXU1,ZK1
17	91601-ZE2-003	PACKING	-	(1)	-	-----	EDD2,EDS,EDS1,EDS2,EDS3,EDS5,EDS6,EDS7,ES4,ES5,EWS4,EWS5,LHE,LKE LKF1,LTK,LTK1,LWD,LXE,LXE2,LXE4,LXE8,PAE2,PXE,PXE8,QAE,QAE2,QAE6 QHE,QKA4,QKB2,QKE2,QMEO,QME1,QMP,QND,QNE,QNE2,QNE6,QNE8,QNE9,QNK QNR2,QNR6,QN18,QWH2,QXE,QXEB,QXE2,QXE4,QXE6,QXE7,QXE8,SCK4,SHE SHEZ,SHW,SKA,SKAE,SME0,SME1,SM32,STC4,SWE,SXE,SXEB,SXE4,SXE7,SXE8 VAAE,VAP,VCN2,VC2,VDB2,VDE1,VDE2,VHE,VJE2,VKB2,VK2,VME2,VMT,VNG2 VN27,VPE4,VPE7,VSBS,VSD4,VTE1,VTE5,VWA,VWA2,VWT4,VXE,VXEB,VXE2 VXE4,VXE6,VXE7,VXE8,VXFB,VXU1,ZK1
18	93892-05014-18	SCREW-WASHER, 5X14	-	(1)	-	-----	SHEZ
			2	-	-	-----	2326511 EDD2,EDS,EDS1,EDS3,EDS5,ES4,EWS4,EWS5,LHE,LKF1,LTK,LWD,LXE,LXE2 LXE4,PXE,QAE,QAE2,QAE6,QHE,QKA4,QKE2,QMEO,QME1,QNE,QNE2,QNE6,QNE9 QNR2,QN18,QXE,QXEB,QXE2,QXE4,QXE6,SCK4,SHE,SHW,SKA,SME0,STC4,SWE SXE,SXEB,SXE4,VAAE,VDE1,VDE2,VHE,VNG2,VSD4,VWA,VWA2,VXE,VXEB,VXE2 VXE4,VXU1,ZK1
	90007-ZE2-003	BOLT-WASHER, 5X14	-	(2)	-	-----	2326511 EDS2,EDS6,EDS7,ES5,LKE,LTK1,LXE8,PAE2,PXE8,QKB2,QMP,QND,QNE8,QNK QNR6,QWH2,QXE7,QXE8,SKAE,SME1,SM32,SXE7,SXE8,VAP,VCN2,VC2,VDB2 VJE2,VKB2,VK2,VME2,VMT,VN27,VPE4,VPE7,VSBS,VTE1,VTE5,VWT4,VXE6 VXE7,VXE8,VXFB
			2	-	-	-----	2326512 EDD2,EDS,EDS1,EDS3,EDS5,ES4,EWS4,EWS5,LHE,LKF1,LTK,LWD,LXE,LXE2 LXE4,PXE,QAE,QAE2,QAE6,QHE,QKA4,QKE2,QMEO,QME1,QNE,QNE2,QNE6,QNE9 QNR2,QN18,QXE,QXEB,QXE2,QXE4,QXE6,SCK4,SHE,SHW,SKA,SME0,STC4,SWE SXE,SXEB,SXE4,VAAE,VDE1,VDE2,VHE,VNG2,VSD4,VWA,VWA2,VXE,VXEB,VXE2 VXE4,VXU1,ZK1
			-	(2)	-	-----	2326512





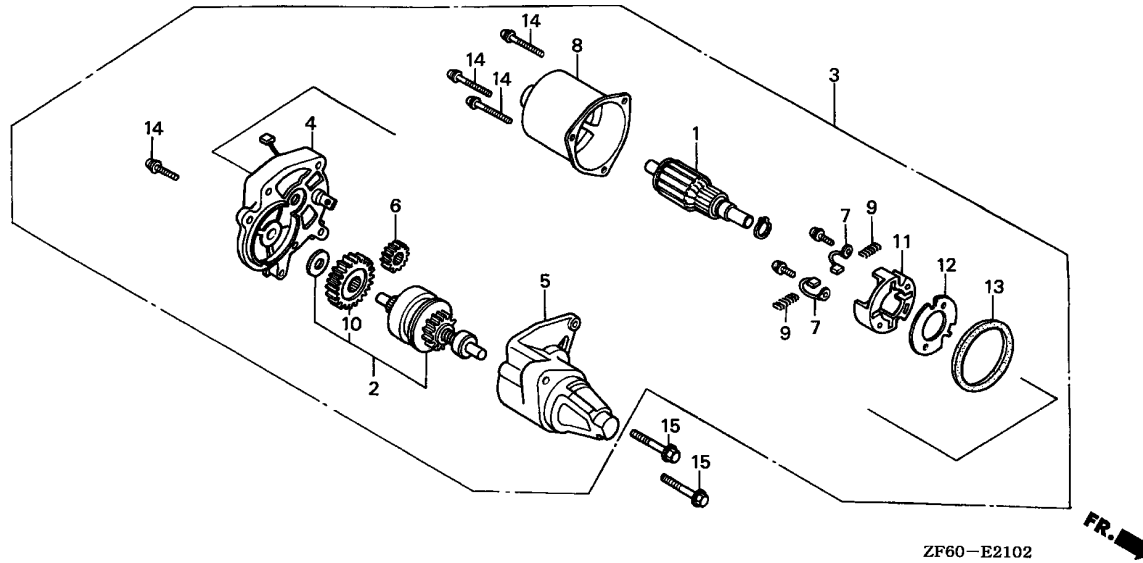
Ref. No.	Part No.	Description	Reqd. QTY			Serial No.	Parts catalogue code
			GX390K1	(1)	(2)		
19	93892-05032-18	SCREW-WASHER, 5X32	4	-	4	-----	EDD2,EDS,EDS1,EDS2,EDS3,EDS5,EDS6,EDS7,ES4,ES5,EWS4,EWS5,LHE,LKE LKF1,LTK,LTK1,LWD,LXE,LXE2,LXE4,LXE8,PAE2,PXE,PXE8,QAE,QAE2,QAE6 QHE,QKA4,QKB2,QKE2,QME0,QME1,QMP,QND,QNE,QNE2,QNE6,QNE8,QNE9,QNK QNR2,QNR6,QN18,QWH2,QXE,QXEB,QXE2,QXE4,QXE6,QXE7,QXE8,SCK4,SHE SHEZ,SHW,SKA,SKAE,SME0,SME1,SM32,STC4,SWE,SXE,SXEB,SXE4,SXE7,SXE8 VAAE,VAP,VCN2,VC2,VDB2,VDE1,VDE2,VHE,VJE2,VKB2,VK2,VME2,VMT,VNG2 VN27,VPE4,VPE7,VSBB3,VSD4,VTE1,VTE5,VWA,VWA2,VWT4,VXE,VXEB,VXE2 VXE4,VXE6,VXE7,VXE8,VXFB,VXU1,ZK1
20	94070-06080	NUT-WASHER, 6MM	2	(4)	2	-----	EDD2,EDS,EDS1,EDS2,EDS3,EDS5,EDS6,EDS7,ES4,ES5,EWS4,EWS5,LHE,LKE LKF1,LTK,LTK1,LWD,LXE,LXE2,LXE4,LXE8,PAE2,PXE,PXE8,QAE,QAE2,QAE6 QHE,QKA4,QKB2,QKE2,QME0,QME1,QMP,QND,QNE,QNE2,QNE6,QNE8,QNE9,QNK QNR2,QNR6,QN18,QWH2,QXE,QXEB,QXE2,QXE4,QXE6,QXE7,QXE8,SCK4,SHE SHEZ,SHW,SKA,SKAE,SME0,SME1,SM32,STC4,SWE,SXE,SXEB,SXE4,SXE7,SXE8 VAAE,VAP,VCN2,VC2,VDB2,VDE1,VDE2,VHE,VJE2,VKB2,VK2,VME2,VMT,VNG2 VN27,VPE4,VPE7,VSBB3,VSD4,VTE1,VTE5,VWA,VWA2,VWT4,VXE,VXEB,VXE2 VXE4,VXE6,VXE7,VXE8,VXFB,VXU1,ZK1
21	95701-08035-08	BOLT, FLANGE, 8X35	2	(2)	2	-----	EDD2,EDS,EDS1,EDS2,EDS3,EDS5,EDS6,EDS7,ES4,ES5,EWS4,EWS5,LHE,LKE LKF1,LTK,LTK1,LWD,LXE,LXE2,LXE4,LXE8,PAE2,PXE,PXE8,QAE,QAE2,QAE6 QHE,QKA4,QKB2,QKE2,QME0,QME1,QMP,QND,QNE,QNE2,QNE6,QNE8,QNE9,QNK QNR2,QNR6,QN18,QWH2,QXE,QXEB,QXE2,QXE4,QXE6,QXE7,QXE8,SCK4,SHE SHEZ,SHW,SKA,SKAE,SME0,SME1,SM32,STC4,SWE,SXE,SXEB,SXE4,SXE7,SXE8 VAAE,VAP,VCN2,VC2,VDB2,VDE1,VDE2,VHE,VJE2,VKB2,VK2,VME2,VMT,VNG2 VN27,VPE4,VPE7,VSBB3,VSD4,VTE1,VTE5,VWA,VWA2,VWT4,VXE,VXEB,VXE2 VXE4,VXE6,VXE7,VXE8,VXFB,VXU1,ZK1



Service item	F.R.T.
MOTOR ASSY., STARTER	0.1
HOUSING COMP., DRIVE SIDE	0.2
.SWITCH ASSY., MAGNETIC	
ARMATURE COMP.	0.5
.BRUSH	
.CLUTCH COMP., OVERRUNNING	
.YOKE COMP.	

Ref. No.	Part No.	Description	Reqd. QTY			Serial No.	Parts catalogue code
			GX390K1	(1)	(2)		
1	30201-PH9-004	RING, SNAP (DENSO)	1	-	1	SXX,SXKP,SXK1	
2	30202-PZ1-003	COLLAR SET, CLUTCH STOP	1	-	1	SXX,SXKP,SXK1	
3	31200-ZG4-611	MOTOR ASSY., STARTER	1	-	1	SXX,SXKP,SXK1	
4	31203-PN4-003	LEVER, PINION DRIVE	1	-	1	SXX,SXKP,SXK1	
5	31204-ZG4-801	SWITCH ASSY., MAGNETIC	1	-	1	SXX,SXKP,SXK1	
6	31206-PH9-004	ARMATURE COMP.	1	-	1	SXX,SXKP,SXK1	
7	31207-ZG4-611	CLUTCH COMP., OVERRUNNING	1	-	1	SXX,SXKP,SXK1	
8	31208-ZG4-801	HOUSING COMP., DRIVE SIDE	1	-	1	SXX,SXKP,SXK1	
9	31210-PH9-004	BEARING B	1	-	1	SXX,SXKP,SXK1	
10	31211-PH9-004	BRUSH	4	-	4	SXX,SXKP,SXK1	
11	31212-PH9-004	SPRING, BRUSH	4	-	4	SXX,SXKP,SXK1	
12	31213-679-004	COVER	1	-	1	SXX,SXKP,SXK1	
13	31214-PH9-004	BOLT, THROUGH	2	-	2	SXX,SXKP,SXK1	
14	31218-ZG4-801	YOKE COMP.	1	-	1	SXX,SXKP,SXK1	
15	31219-ZG4-801	FRAME COMP., COMMUTATOR END	1	-	1	SXX,SXKP,SXK1	
16	31220-PH9-004	NUT, HEX., 8MM	1	-	1	SXX,SXKP,SXK1	
17	31223-PA0-006	NUT, FLANGE, 5MM	2	-	2	SXX,SXKP,SXK1	
18	31231-PH9-004	HOLDER, BRUSH	1	-	1	SXX,SXKP,SXK1	
19	31233-PH9-004	INSULATOR, BRUSH HOLDER	1	-	1	SXX,SXKP,SXK1	
20	31235-ZG4-801	COVER, TERMINAL	1	-	1	SXX,SXKP,SXK1	
21	91002-ZG4-801	BEARING A	1	-	1	SXX,SXKP,SXK1	
22	94001-08200-0S	NUT, HEX., 8MM	1	-	1	SXX,SXKP,SXK1	
23	94111-08000	WASHER, SPRING, 8MM	1	-	1	SXX,SXKP,SXK1	



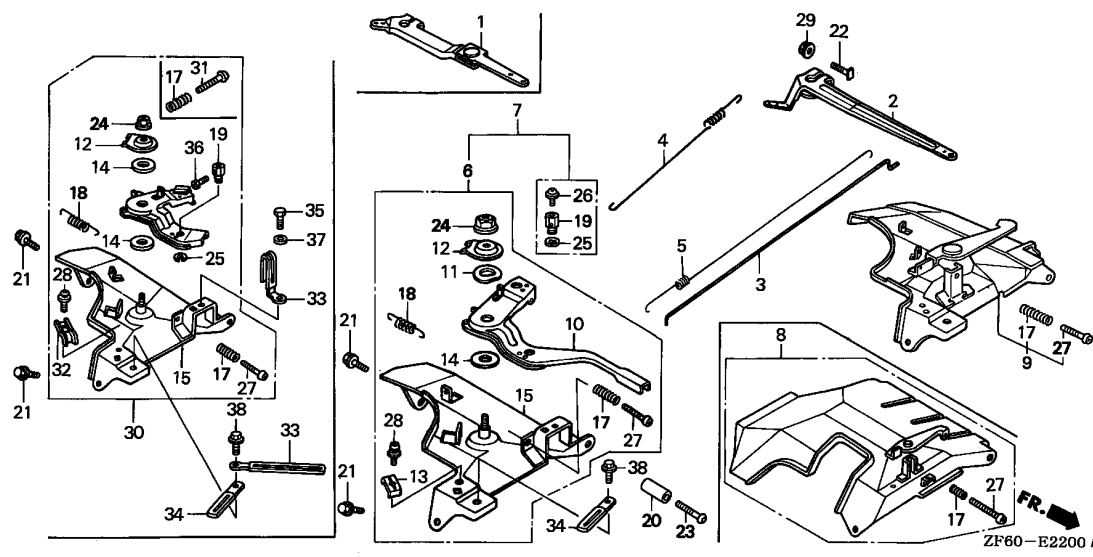


ZF60-E2102

Service item	F.R.T.
MOTOR UNIT, STARTER	0.2
GEAR, DRIVE PINION	0.3
.GEAR, REDUCTION	
ARMATURE COMP.	0.4
.BRACKET, CENTER	
.BRUSH	
.CLUTCH COMP., OVERRUNNING	
.HOLDER, BRUSH	
.YOKE COMP.	



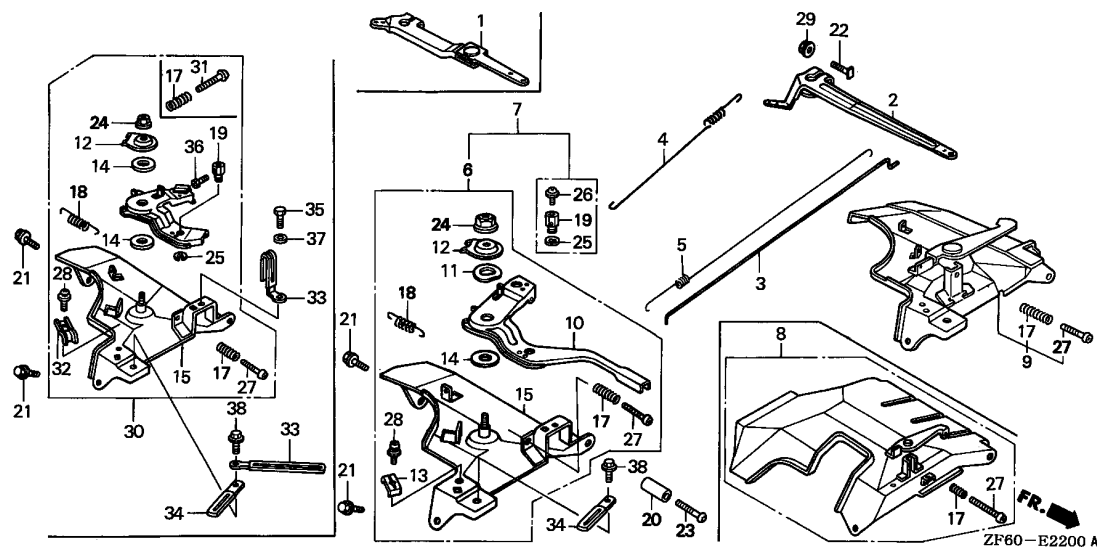
Ref. No.	Part No.	Description	Reqd. QTY			Serial No.	Parts catalogue code
			GX390K1				
			(1)	(2)	(3)		
1	31206-ZE3-003	ARMATURE COMP.	1	-	-	-----	LWD1
2	31207-ZE3-003	CLUTCH COMP., OVERRUNNING	1	-	-	-----	LWD1
3	31210-ZE3-A11	MOTOR UNIT, STARTER	1	-	-	-----	LWD1
4	31211-ZE2-003	BRACKET, CENTER	1	-	-	-----	LWD1
5	31212-ZE3-003	BRACKET, FR.	1	-	-	-----	LWD1
6	31213-ZE2-003	GEAR, DRIVE PINION	1	-	-	-----	LWD1
7	31215-ZE2-003	BRUSH	2	-	-	-----	LWD1
8	31218-ZE3-003	YOKE COMP.	1	-	-	-----	LWD1
9	31219-ZE2-003	SPRING, BRUSH RETURN	4	-	-	-----	LWD1
10	31222-ZE3-791	GEAR, REDUCTION	1	-	-	-----	LWD1
11	31231-ZE2-003	HOLDER, BRUSH	1	-	-	-----	LWD1
12	31233-ZE2-003	INSULATOR	1	-	-	-----	LWD1
13	91601-ZE2-003	PACKING	1	-	-	-----	LWD1
14	93892-05032-18	SCREW-WASHER, 5X32	4	-	-	-----	LWD1
15	95701-08035-08	BOLT, FLANGE, 8X35	2	-	-	-----	LWD1



Service item	F.R.T.
ARM COMP., GOVERNOR	0.2
.ARM, GOVERNOR	
.CONTROL ASSY.	
.SPRING, GOVERNOR	
.SPRING, THROTTLE RETURN	
BASE COMP., CONTROL	0.3
.LEVER, CONTROL	
.ROD, GOVERNOR	

Ref. No.	Part No.	Description	Reqd. QTY			Serial No.	Parts catalogue code
			(1)	(2)	(3)		
1	16550-ZE3-700	ARM COMP., GOVERNOR	1	-	-	-----	EDD2,EDS,EDS1,EDS2,EDS3,EDS5,EDS6,EDS7,EDT5,EDT6,EN6,ES3,ES4,ES5 EWS3,EWS5,QKB2,VAC2,VCN2,VC2,VDB2,VD2,VJE2,VJ2,VKB2,VMT,VS B1,VS B3 VTE2,VWA,VWA2
2	16551-ZE3-000	ARM, GOVERNOR	1	-	1	2117738 -----	EDT1 BJ,ED8,ED9,ES1,HA,HAQ,HA2,HH,HJA,HJA2,HX,LH,LHB1,LHB3,LHC,LHE LHP1,LHW,LJ,LJG,LKE,LKF1,LMH,LT, LTK, LTK1, LWD, LX, LXE, LXE2, LXE4 LXE8,LXQ4,LXU,LXZ,LX2,PAE2,PA2,PX,PXE,PXE8,PXU,QA,QAE,QAE2,QAE6 QAP,QAQ,QAW,QA2,QA26,QDW9,QE,QH,QHB3,QHC,QHE,QHP1,QH2,QKA2,QKA4 QKE2,QK4,QMED,QME1,QMH,QMP,QND,QNE,QNE2,QNE6,QNE8,QNE9,QNK,QNR2 QNR6,QN18,QP,QT,QWA2,QWA4,QWC4,QWH2,QWT2,QX,QXB,QXB7,QXC,QXC4 QXC6,QXC9,QXE,QXEB,QXE2,QXE4,QXE6,QXE7,QXE8,QXQ4,QXQ7,QXS4,QXU SCK4,SE,SH,SHB1,SHB3,SHE,SHEZ,SHQ4,SHW,SJ,SJG,SKA,SMC1,SMD3,SME0 SME1,SME6,SMX,SM11,SM32,SN,SNC,SNC9,SNT2,STC4,SWA4,SWE,SWX,SX, SXB SXB7,SXC,SXE,SXEB,SXE4,SXE7,SXE8,SXP,SXQ4,SXU,SX2,VA,VAA,VA AE VAA1,VAG2,VAP,VA2,VDE1,VDE2,VE,VH,VHE,VK2,VMA2,VME2,VMX,VM2,VNG1 VNG2,VN17,VN27,VP E4,VP E7,VPX4,VPX7,VSD,VSD4,VSD7,VTE1,VTE5,VWT4 VX,VXB,VXB7,VXE,VXEB,VXE2,VXE4,VXE6,VXE7,VXE8,VXFB,VXP,VXQP,VXQ4 VXTB,VXT1,VXU,VXU1,VX8,YJ,ZK1
			1	-	-	2117737 -----	EDT1
			1	-	-	2247975 -----	ED6
			-	1	-	-----	

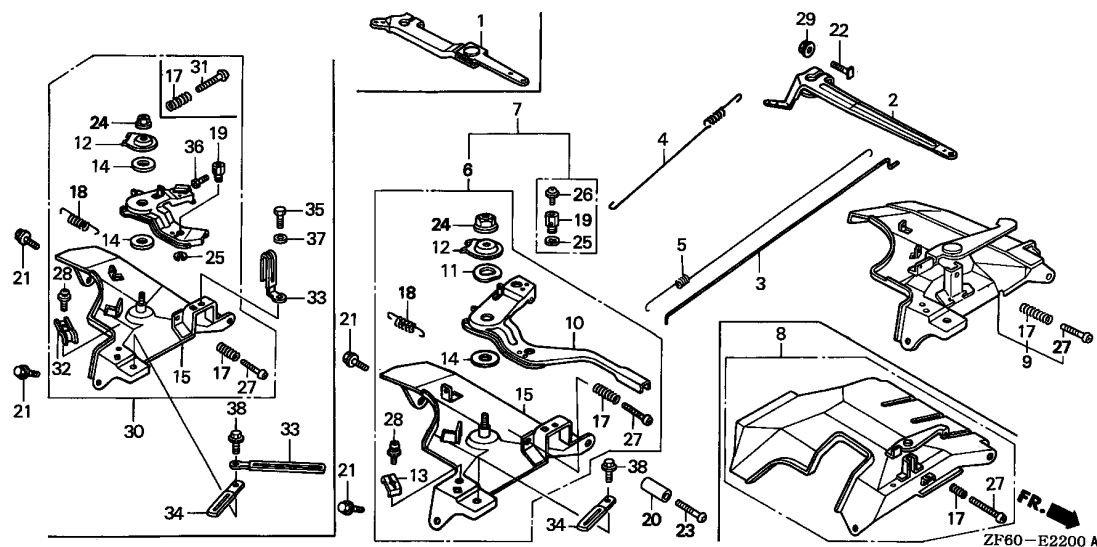




Ref. No.	Part No.	Description	Reqd. QTY GX390K1 (1) (2) (3)	Serial No.	Parts catalogue code
3	16555-ZE3-000	ROD, GOVERNOR	1 - 1	-----	BJ,EDD2,EDS,EDS1,EDS2,EDS3,EDS5,EDS6,EDS7,EDT1,EDT5,EDT6,ED6,ED8,ED9,EN6,ES1,ES3,ES4,ES5,EWS3,EWS5,HA,HAQ,HA2,HH,HJA,HJA2,HX,LH,LHB1,LHB3,LHC,LHE,LHP1,LHW,LJ,LJG,LKE,LKF1,LMH,LT,LTK,LTK1,LWD,LX,LXE,LXE2,LXE4,LXE8,LXQ4,LXU,LXZ,LX2,PAE2,PA2,PX,PXE,PXE8,PXU,QA,QAE,QAE2,QAE6,QAP,QAQ,QAW,QA2,QA26,QDW9,QE,QH,QHB3,QHC,QHE,QHP1,QH2,QKA2,QKA4,QKB2,QKE2,QK4,QMEO,QME1,QMH,QMP,QND,QNE,QNE2,QNE6,QNE8,QNE9,QNK,QNR2,QNR6,QN18,QP,QT,QWA2,QWA4,QWC4,QWH2,QWT2,QX,QXB,QXB7,QXC,QXC4,QXC6,QXC9,QXE,QXEB,QXE2,QXE4,QXE6,QXE7,QXE8,QXQ4,QXQ7,QXS4,QXU,SCK4,SE,SH,SHB1,SHB3,SHE,SHEZ,SHQ4,SHW,SJ,SJG,SKA,SMC1,SMD3,SME0,SME1,SME6,SMX,SM11,SM32,SN,SNC,SNC9,SNT2,STC4,SWA4,SWE,SWX,SX,SXB,SXB7,SXC,SXE,SXEB,SXE4,SXE7,SXE8,SXP,SXQ4,SXU,SX2,VA,VAA,VAE,VAA1,VAC2,VAG2,VA2,VCN2,VC2,VDB2,VDE1,VDE2,VD2,VE,VH,VHE,VJE2,VJ2,VKB2,VK2,VMA2,VME2,VMT,VMX,VM2,VNG1,VNG2,VN17,VN27,VPE4,VPE7,VPX4,VPX7,VSB1,VSB3,VSD,VSD4,VSD7,VTE1,VTE2,VTE5,VWA,VWA2,VWT4,VX,VXB,VXB7,VXE,VXEB,VXE2,VXE4,VXE6,VXE7,VXE8,VXFB,VXQ4,VXTB,VXT1,VXU,VXU1,VX8,YJ,ZK1
	16555-ZE3-W00	ROD, GOVERNOR (STD.)	- 1 -	-----	VAP,VXP,VXQP

Ref. No.	Part No.	Description	Reqd. QTY			Serial No.	Parts catalogue code
			(1)	(2)	(3)		
4	16561-ZE3-000	SPRING, GOVERNOR	1	-	1	-----	BJ, EDD2, EDS, EDS1, EDS2, EDS3, EDS5, EDS6, EDS7, EDT1, EDT5, EDT6, ED6, EN6, ES3, ES4, ES5, EWS3, EWS5, HA, HAQ, HA2, HH, HJA, HJA2, HX, LH, LHB1, LHB3, LHC, LHE, LHP1, LHW, LJ, LJG, LKE, LKF1, LMH, LT, LTK, LTK1, LWD, LX, LXE, LXE2, LXE4, LXE8, LXQ4, LXU, LXZ, LX2, PAE2, PA2, PX, PXE, PXE8, PXU, QA, QAE, QAE2, QAE6, QAP, QAQ, QAW, QA2, QA26, QDW9, QE, QH, QHB3, QHC, QHE, QHP1, QH2, QKA2, QKA4, QKB2, QKE2, QK4, QME0, QME1, QMH, QMP, QND, QNE, QNE2, QNE6, QNE8, QNE9, QNK, QNR2, QNR6, QN18, QP, QT, QWA2, QWA4, QWC4, QWH2, QWT2, QX, QXB, QXB7, QXC, QXC4, QXC6, QXC9, QXE, QXEB, QXE2, QXE4, QXE6, QXE7, QXE8, QXQ4, QXQ7, QXS4, QXU, SCK4, SE, SH, SHB1, SHB3, SHE, SHEZ, SHQ4, SHW, SJ, SJG, SKA, SMC1, SMD3, SME0, SME1, SME6, SMX, SM11, SM32, SN, SNC, SNC9, SNT2, STC4, SWA4, SWE, SWX, SX, SXB, SXB7, SXC, SXE, SXEB, SXE4, SXE7, SXE8, SXP, SXQ4, SXU, SX2, VA, VAA, VAAE, VAA1, VAP, VDE1, VE, VH, VHE, VMT, VSB1, VSB3, VSD4, VTE2, VTE5, VWT4, VXP, VXQP, YJ, ZK1
			1	-	-	-----	2042496 ES1
			1	-	-	-----	2767617 VNG1, VNG2, VTE1, VX, VXB, VXE, VXEB, VXE4, VXFB, VXQ4, VXTB
			1	-	-	-----	2794995 VA2, VDE2, VMA2, VME2, VM2, VXE2, VXE6
			-	1	-	-----	
	16561-ZE3-710	1	-	-	-----	VMX, VPE4, VPE7, VPX4, VPX7, VWA, VXT1
			1	-	-	-----	2042497 ES1
			1	-	-	-----	2767617 ED8, ED9, VSD, VXE8, VXU, VXU1, VX8
			1	-	-	-----	2794995 VAG2, VD2, VJE2, VJ2, VKB2, VWA2
	16561-ZF6-W30	1	-	-	-----	2767618 VXE
			1	-	-	-----	2794996 VA2, VDE2, VMA2, VME2, VM2, VXE2
	16561-ZF6-T20	1	-	-	-----	2794996 VAG2, VD2, VJE2, VJ2, VKB2, VWA2
	16561-ZF6-W31	1	-	-	-----	VA2, VDE2, VMA2, VME2, VM2, VN17, VN27, VXB7, VXE, VXE2, VXE7
			1	-	-	-----	2767618 VNG1, VNG2, VTE1, VX, VXB, VXEB, VXE4, VXFB, VXQ4, VXTB
			1	-	-	-----	2794996 VXE6
	16561-ZF6-T21	1	-	-	-----	VAC2, VAG2, VCN2, VC2, VDB2, VD2, VJE2, VJ2, VKB2, VK2, VSD7, VWA2
			1	-	-	-----	2767618 ED8, ED9, VSD, VXE8, VXU, VXU1, VX8
5	16562-ZE3-000	SPRING, THROTTLE RETURN	1	-	1	-----	BJ, ED8, ED9, ES1, HA, HAQ, HA2, HH, HJA, HJA2, HX, LH, LHB1, LHB3, LHC, LHE, LHP1, LHW, LJ, LJG, LKE, LKF1, LMH, LT, LTK, LTK1, LWD, LX, LXE, LXE2, LXE4, LXE8, LXQ4, LXU, LXZ, LX2, PAE2, PA2, PX, PXE, PXE8, PXU, QA, QAE, QAE2, QAE6, QAP, QAQ, QAW, QA2, QA26, QDW9, QE, QH, QHB3, QHC, QHE, QHP1, QH2, QKA2, QKA4, QKE2, QK4, QME0, QME1, QMH, QMP, QND, QNE, QNE2, QNE6, QNE8, QNE9, QNK, QNR2, QNR6, QN18, QP, QT, QWA2, QWA4, QWC4, QWH2, QWT2, QX, QXB, QXB7, QXC, QXC4, QXC6, QXC9, QXE, QXEB, QXE2, QXE4, QXE6, QXE7, QXE8, QXQ4, QXQ7, QXS4, QXU, SCK4, SE, SH, SHB1, SHB3, SHE, SHEZ, SHQ4, SHW, SJ, SJG, SKA, SMC1, SMD3, SME0, SME1, SME6, SMX, SM11, SM32, SN, SNC, SNC9, SNT2, STC4, SWA4, SWE, SWX, SX, SXB, SXB7, SXC, SXE, SXEB, SXE4, SXE7, SXE8, SXP, SXQ4, SXU, SX2, VA, VAA, VAAE, VAA1, VAG2, VAP, VA2, VDE1, VDE2, VE, VH, VHE, VK2, VMA2, VME2, VMX, VM2, VNG1, VNG2, VN17, VN27, VPE4, VPE7, VPX4, VPX7, VSD, VSD4, VSD7, VTE1, VTE5, VWT4, VX, VXB, VXB7, VXE, VXEB, VXE2, VXE4, VXE6, VXE7, VXE8, VXFB, VXP, VXQP, VXQ4, VXTB, VXT1, VXU, VXU1, VX8, YJ, ZK1
			1	-	-	-----	2117737 EDT1
			1	-	-	-----	2247975 ED6
			-	1	-	-----	
	16562-ZE3-700	1	-	-	-----	EDD2, EDS, EDS1, EDS2, EDS3, EDS5, EDS6, EDS7, EDT5, EDT6, EN6, ES3, ES4, ES5, EWS3, EWS5, QKB2, VAC2, VCN2, VC2, VDB2, VD2, VJE2, VJ2, VKB2, VMT, VSB1, VSB3, VTE2, VWA, VWA2
			1	-	-	-----	2117738 EDT1
			1	-	-	-----	2247976 ED6
6	16570-ZE3-W00	CONTROL ASSY. (STD.)	1	-	1	-----	SN, VAAE, VAP, VDE1, VDE2, VE, VH, VHE, VTE1, VTE5, VX, VXB, VXE, VXEB, VXE2, VXE4, VXE6, VXFB, VXP, VXQP, VXQ4, VXTB
			1	-	-	-----	2143011 VAA
			-	(1)	-	-----	
	16570-ZK3-720	CONTROL ASSY.	1	-	-	-----	VN17, VN27

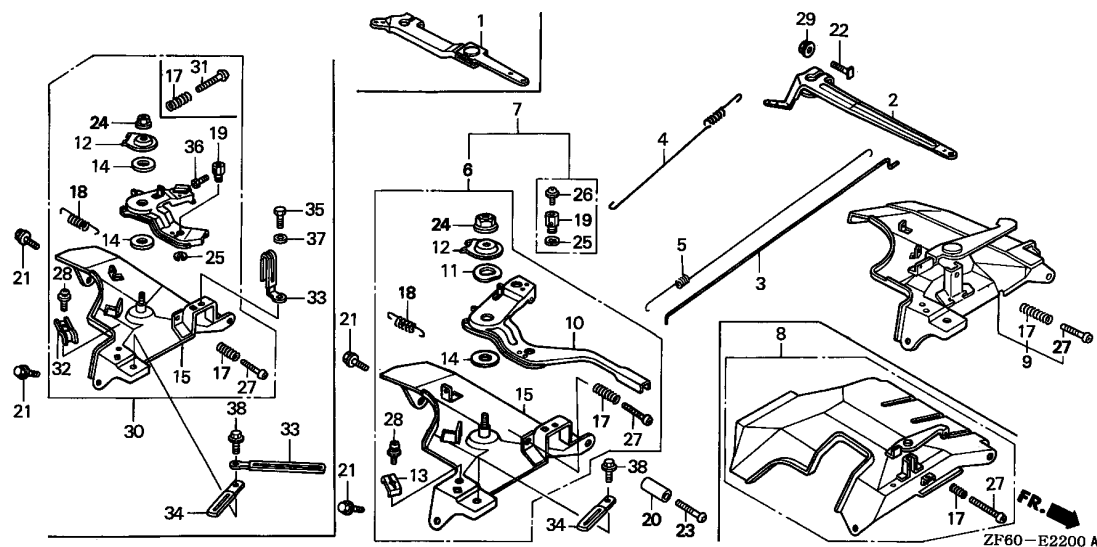




Ref. No.	Part No.	Description	Reqd. QTY			Serial No.	Parts catalogue code
			GX390K1	(1)	(2)		
(6)	16570-ZE3-W20	CONTROL ASSY. (REMOTE)	1	-	1	-----	HA,HAQ,HA2,HH,HJA,HJA2,HX,LH,LHB1,LHB3,LHC,LHE,LHP1,LMH,LX,LXE,LXE2,LXE4,LXE8,LXQ4,LXU,LXZ,LX2,PAE2,PA2,PX,PXE,PXE8,PXU,QA,QAE,QAE2,QAE6,QAP,QAQ,QAW,QA2,QA26,QE,QH,QHB3,QHC,QHE,QHP1,QH2,QKB2,QMED,QME1,QMH,QMP,QND,QNE,QNE2,QNE6,QNE8,QNE9,QNR2,QNR6,QN18,QPQT,QWA2,QWA4,QWC4,QWH2,QWT2,QX,QXB,QXB7,QXC,QXC4,QXC6,QXC9,QXEQXB,QXE2,QXE4,QXE6,QXE7,QXE8,QXQ4,QXQ7,QXS4,QXU,SE,SH,SHB1,SHB3,SHE,SHEZ,SHQ4,SME0,SMX,SWA4,SWE,SWX,SX,SXB,SXB7,SXC,SXE,SXEB,SXE4,SXE7,SXE8,SXQ4,SXU,SX2,VA,VA2,VMA2,VME2,VM2
	16570-ZK3-870	CONTROL ASSY.	-	(1)	-	-----	VXB7,VXE7
	16570-ZE3-W30	CONTROL ASSY. (REMOTE)	1	-	-	-----	VNG1,VNG2
7	16570-ZE3-W10	CONTROL ASSY. (REMOTE)	1	-	-	-----	BJ,LHW,LJ,LJG,LKF1,LT,LTK,LTK1,LWD,QDW9,QKA2,QKA4,QKE2,QK4,QNK,SCK4,SHW,SJ,SJG,SMC1,SMD3,SME1,SME6,SM11,SM32,SNC,SNC9,SNT2,STC4,SXP,YJ
	16570-ZE3-W40	CONTROL ASSY. (REMOTE) (W/PLUG)	1	-	(1)	-----	LKE,SKA
8	16570-ZE3-710	CONTROL ASSY.	1	-	-	-----	EDS,EDS1,EDS2,EDS3,EDS6,EDS7,EDT1,EDT5,EDT6,ES3,ES4,ES5,EWS3,EWS5,VMT,VSBI,VSBI
	16570-ZE3-700	1	-	-	2247975	ED6
		1	-	-	2143012	EDD2,ED6,EN6,VAA1,VSD4,VTE2
9	16570-ZE3-721	CONTROL ASSY.	1	-	-	-----	VAA
	16570-ZK3-D20	1	-	-	-----	ED8,ED9,ES1,VAC2,VAG2,VCN2,VC2,VDB2,VD2,VJE2,VJ2,VKB2,VK2,VMX,VPE4,VPX4,VSD,VVA,VWA2,VWT4,VXE8,VXT1,VXU,VXU1,VX8
		1	-	-	-----	VPE7,VPX7,VSD7

Ref. No.	Part No.	Description	Reqd. QTY			Serial No.	Parts catalogue code
			(1)	(2)	(3)		
10	16571-ZE3-W00	LEVER, CONTROL	1	-	1	-----	BJ, HA, HAQ, HA2, HH, HJA, HJA2, HX, LH, LHB1, LHB3, LHC, LHE, LHP1, LHW, LJ, LJG, LKE, LKF1, LMH, LT, LTK, LTK1, LWD, LX, LXE, LXE2, LXE4, LXE8, LXQ4, LXU, LXZ, LX2, PAE2, PA2, PX, PXE, PXE8, PXU, QA, QAE, QAE2, QAE6, QAP, QAA, QAW, QA2, QA26, QDW9, QE, QH, QHB3, QHC, QHE, QHP1, QH2, QKA2, QKA4, QKB2, QKE2, QK4, QME0, QME1, QMH, QMP, QND, QNE, QNE2, QNE6, QNE8, QNE9, QNK, QNR2, QNR6, QN18, QP, QT, QWA2, QWA4, QWC4, QWH2, QWT2, QX, QXB, QXB7, QXC, QXC4, QXC6, QXC9, QXE, QXEB, QXE2, QXE4, QXE6, QXE7, QXE8, QXQ4, QXQ7, QXS4, QXU, SCK4, SE, SH, SHB1, SHB3, SHE, SHEZ, SHQ4, SHW, SJ, SJG, SKA, SMC1, SMD3, SME0, SME1, SME6, SMX, SM11, SM32, SN, SNC, SNC9, SNT2, STC4, SWA4, SWE, SWX, SX, SXB, SXB7, SXC, SXE, SXEB, SXE4, SXE7, SXE8, SXP, SXQ4, SXU, SX2, VA, VAAE, VAP, VA2, VDE1, VDE2, VE, VH, VHE, VMA2, VME2, VM2, VTE1, VTE5, VX, VXB, VXB7, VXE, VXEB, VXE2, VXE4, VXE6, VXE7, VXF, VXP, VXQ, VXQ4, VXTB, YJ
			1	-	-	-----	2143011 VAA
			-	(1)	-	-----	
	16571-ZE3-W10	1	-	-	-----	VNG1, VN17, VN27
			(1)	-	-	-----	VNG2
			-	(1)	-	-----	
11	16574-ZE1-000	SPRING, LEVER	1	-	1	-----	BJ, HA, HAQ, HA2, HH, HJA, HJA2, HX, LH, LHB1, LHB3, LHC, LHE, LHP1, LHW, LJ, LJG, LKE, LKF1, LMH, LT, LTK, LTK1, LWD, LX, LXE, LXE2, LXE4, LXE8, LXQ4, LXU, LXZ, LX2, PAE2, PA2, PX, PXE, PXE8, PXU, QA, QAE, QAE2, QAE6, QAP, QAA, QAW, QA2, QA26, QDW9, QE, QH, QHB3, QHC, QHE, QHP1, QH2, QKA2, QKA4, QKB2, QKE2, QK4, QME0, QME1, QMH, QMP, QND, QNE, QNE2, QNE6, QNE8, QNE9, QNK, QNR2, QNR6, QN18, QP, QT, QWA2, QWA4, QWC4, QWH2, QWT2, QX, QXB, QXB7, QXC, QXC4, QXC6, QXC9, QXE, QXEB, QXE2, QXE4, QXE6, QXE7, QXE8, QXQ4, QXQ7, QXS4, QXU, SCK4, SE, SH, SHB1, SHB3, SHE, SHEZ, SHQ4, SHW, SJ, SJG, SKA, SMC1, SMD3, SME0, SME1, SME6, SMX, SM11, SM32, SN, SNC, SNC9, SNT2, STC4, SWA4, SWE, SWX, SX, SXB, SXB7, SXC, SXE, SXEB, SXE4, SXE7, SXE8, SXP, SXQ4, SXU, SX2, VA, VAAE, VAP, VA2, VDE1, VDE2, VE, VH, VHE, VMA2, VME2, VM2, VNG1, VNG2, VN17, VN27, VTE1, VTE5, VX, VXB, VXB7, VXE, VXEB, VXE2, VXE4, VXE6, VXE7, VXF, VXP, VXQ, VXQ4, VXTB, YJ
			1	-	-	-----	2143011 VAA
			-	(1)	-	-----	
12	16575-ZE2-W00	WASHER, CONTROL LEVER	1	-	1	-----	BJ, HA, HAQ, HA2, HH, HJA, HJA2, HX, LH, LHB1, LHB3, LHC, LHE, LHP1, LHW, LJ, LJG, LKE, LKF1, LMH, LT, LTK, LTK1, LWD, LX, LXE, LXE2, LXE4, LXE8, LXQ4, LXU, LXZ, LX2, PAE2, PA2, PX, PXE, PXE8, PXU, QA, QAE, QAE2, QAE6, QAP, QAA, QAW, QA2, QA26, QDW9, QE, QH, QHB3, QHC, QHE, QHP1, QH2, QKA2, QKA4, QKB2, QKE2, QK4, QME0, QME1, QMH, QMP, QND, QNE, QNE2, QNE6, QNE8, QNE9, QNK, QNR2, QNR6, QN18, QP, QT, QWA2, QWA4, QWC4, QWH2, QWT2, QX, QXB, QXB7, QXC, QXC4, QXC6, QXC9, QXE, QXEB, QXE2, QXE4, QXE6, QXE7, QXE8, QXQ4, QXQ7, QXS4, QXU, SCK4, SE, SH, SHB1, SHB3, SHE, SHEZ, SHQ4, SHW, SJ, SJG, SKA, SMC1, SMD3, SME0, SME1, SME6, SMX, SM11, SM32, SN, SNC, SNC9, SNT2, STC4, SWA4, SWE, SWX, SX, SXB, SXB7, SXC, SXE, SXEB, SXE4, SXE7, SXE8, SXP, SXQ4, SXU, SX2, VA, VAAE, VAP, VA2, VDE1, VDE2, VE, VH, VHE, VMA2, VME2, VM2, VNG1, VNG2, VN17, VN27, VTE1, VTE5, VX, VXB, VXB7, VXE, VXEB, VXE2, VXE4, VXE6, VXE7, VXF, VXP, VXQ, VXQ4, VXTB, YJ, ZK1
			1	-	-	-----	2143011 VAA
			-	(1)	-	-----	
13	16576-891-000	HOLDER, CABLE	1	-	1	-----	BJ, HA, HAQ, HA2, HH, HJA, HJA2, HX, LH, LHB1, LHB3, LHC, LHE, LHP1, LHW, LJ, LJG, LKE, LKF1, LMH, LT, LTK, LTK1, LWD, LX, LXE, LXE2, LXE4, LXE8, LXQ4, LXU, LXZ, LX2, PAE2, PA2, PX, PXE, PXE8, PXU, QA, QAE, QAE2, QAE6, QAP, QAA, QAW, QA2, QA26, QDW9, QE, QH, QHB3, QHC, QHE, QHP1, QH2, QKA2, QKA4, QKB2, QKE2, QK4, QME0, QME1, QMH, QMP, QND, QNE, QNE2, QNE6, QNE8, QNE9, QNK, QNR2, QNR6, QN18, QP, QT, QWA2, QWA4, QWC4, QWH2, QWT2, QX, QXB, QXB7, QXC, QXC4, QXC6, QXC9, QXE, QXEB, QXE2, QXE4, QXE6, QXE7, QXE8, QXQ4, QXQ7, QXS4, QXU, SCK4, SE, SH, SHB1, SHB3, SHE, SHEZ, SHQ4, SHW, SJ, SJG, SKA, SMC1, SMD3, SME0, SME1, SME6, SMX, SM11, SM32, SN, SNC, SNC9, SNT2, STC4, SWA4, SWE, SWX, SX, SXB, SXB7, SXC, SXE, SXEB, SXE4, SXE7, SXE8, SXP, SXQ4, SXU, SX2, VA, VAAE, VAP, VA2, VMA2, VME2, VM2, YJ
			-	(1)	-	-----	

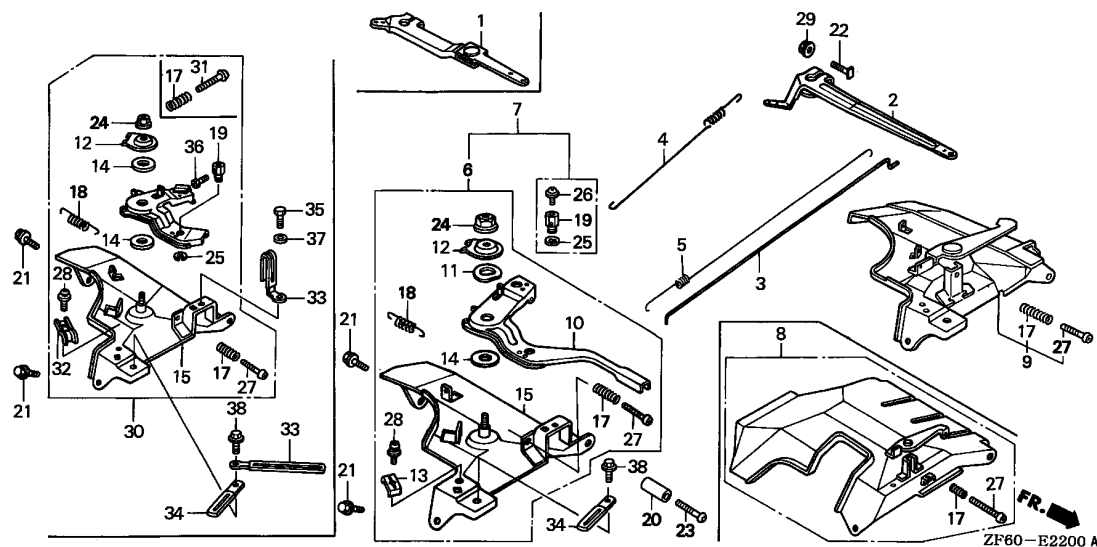




Ref. No.	Part No.	Description	Reqd. QTY			Serial No.	Parts catalogue code
			(1)	(2)	(3)		
14	16578-ZE1-000	SPACER, CONTROL LEVER	1	-	1	-----	BJ,HA,HAQ,HA2,HH,HJA,HJA2,HX,LH,LHB1,LHB3,LHC,LHE,LHP1,LHW,LJ,LJG,LKE,LKF1,LMH,LT,LTK,LTK1,LWD,LX,LXE,LXE2,LXE4,LXE8,LXQ4,LXU,LXZ,LX2,PAE2,PA2,PX,PXE,PXE8,PXU,QA,QAE,QAE2,QAE6,QAP,QAQ,QAW,QA2,QA26,QDW9,QE,QH,QHB3,QHC,QHE,QHP1,QH2,QKA2,QKA4,QKB2,QKE2,QK4,QME0,QME1,QMH,QMP,QND,QNE,QNE2,QNE6,QNE8,QNE9,QNK,QNR2,QNR6,QN18,QP,QT,QWA2,QWA4,QWC4,QWH2,QWT2,QX,QXB,QXB7,QXC,QXC4,QXC6,QXC9,QXE,QXEB,QXE2,QXE4,QXE6,QXE7,QXE8,QXQ4,QXQ7,QXS4,QXU,SCK4,SE,SH,SHB1,SHB3,SHE,SHEZ,SHQ4,SHW,SJ,SJG,SKA,SMC1,SMD3,SMEO,SME1,SM6,SMX,SM11,SM32,SN,SNC,SNC9,SNT2,STC4,SWA4,SWE,SWX,SX, SXB, SXB7, SXC, SXE, SXEB, SXE4, SXE7, SXE8, SXP, SXQ4, SXU, SX2, VA, VAAE, VAP, VA2, VDE1, VDE2, VE, VH, VHE, VMA2, VME2, VM2, VNG1, VNG2, VN17, VN27, VTE1, VTE5, VX, VXB, VXB7, VXE, VXEB, VXE2, VXE4, VXE6, VXE7, VXF, VXP, VXQP, VXQ4, VXTB, YJ
			1	-	-	-----	2143011 VAA
			2	-	-	-----	ZK1
			-	(1)	-	-----	

Ref. No.	Part No.	Description	Reqd. QTY			Serial No.	Parts catalogue code
			GX390K1	(1)	(2)		
15	16581-ZE3-W00	BASE COMP., CONTROL	1	-	1	-----	BJ,HA,HAQ,HA2,HH,HJA,HJA2,HX,LH,LHB1,LHB3,LHC,LHE,LHP1,LHW,LJ,LJG LKE,LKF1,LMH,LP,LT,LTk,LTk1,LWD,LX,LXE,LXE2,LXE4,LXE8,LXQ4,LXU LXZ,LX2,PAE2,PA2,PX,PXE,PXE8,PXU,QA,QAE,QAE2,QAE6,QAP,QAQ,QAW,QA2 QA26,QDW9,QE,QH,QHB3,QHC,QHE,QHP1,QH2,QKA2,QKA4,QKB2,QKE2,QK4 QMEO,QME1,QMH,QMP,QND,QNE,QNE2,QNE6,QNE8,QNE9,QNK,QNR2,QNR6,QN18 QP,QT,QWA2,QWA4,QWC4,QWH2,QWT2,QX,QXB,QXB7,QXC,QXC4,QXC6,QXC9,QXE QXEB,QXE2,QXE4,QXE6,QXE7,QXE8,QXQ4,QXQ7,QXS4,QXU,SCK4,SE,SH,SHB1 SHB3,SHE,SHEZ,SHQ4,SHW,SJ,SJG,SKA,SMC1,SMD3,SMEO,SME1,SME6,SMX SM11,SM32,SN,SNC,SNC9,SNT2,STC4,SWA4,SWE,SWX,SX,SBX,SBX7,SXC,SXE SXEB,SXE4,SXE7,SXE8,SXP,SXQ4,SXU,SX2,VA,VAE,VAE2,VAE4,VAE6,VAE8,VAE10 VH,VHE,VMA2,VME2,VM2,VNG1,VNG2,VTE1,VTE5,VX,VXB,VXE,VXEB,VXE2 VXE4,VXE6,VXFB,VXP,VXQP,VXQ4,VXTB,YJ
			1	-	-	-----	2143011 VAA
			1	-	-	-----	2192260 ZK1
			-	(1)	-		
17	16584-883-300	SPRING, CONTROL ADJUSTING ...	1	-	1	-----	BJ,EDD2,EDS,EDS1,EDS2,EDS3,EDS5,EDS6,EDS7,EDT1,EDT5,EDT6,ED6,ED8 ED9,EN6,ES1,ES3,ES4,ES5,EWS3,EWS5,HA,HAQ,HA2,HH,HJA,HJA2,HX,LH LHB1,LHB3,LHC,LHE,LHP1,LHW,LJ,LJG,LKE,LKF1,LMH,LT,LTk,LTk1,LWD,LX LXE,LXE2,LXE4,LXE8,LXQ4,LXU,LXZ,LX2,PAE2,PA2,PX,PXE,PXE8,PXU,QA QAE,QAE2,QAE6,QAP,QAQ,QAW,QA2,QA26,QDW9,QE,QH,QHB3,QHC,QHE,QHP1 QH2,QKA2,QKA4,QKB2,QKE2,QK4,QMEO,QME1,QMH,QMP,QND,QNE,QNE2,QNE6 QNE8,QNE9,QNK,QNR2,QNR6,QN18,QP,QT,QWA2,QWA4,QWC4,QWH2,QWT2,QX QXB,QXB7,QXC,QXC4,QXC6,QXC9,QXE,QXEB,QXE2,QXE4,QXE6,QXE7,QXE8 QXQ4,QXQ7,QXS4,QXU,SCK4,SE,SH,SHB1,SHB3,SHE,SHEZ,SHQ4,SHW,SJ,SJG SKA,SMC1,SMD3,SMEO,SME1,SME6,SMX,SM11,SM32,SN,SNC,SNC9,SNT2,STC4 SWA4,SWE,SWX,SX,SBX,SBX7,SXC,SXE,SXEB,SXE4,SXE7,SXE8,SXP,SXQ4,SXU SX2,VA,VAE,VAE2,VAE4,VAE6,VAE8,VAE10,VAC2,VAG2,VAP,VA2,VCN2,VC2,VDB2,VDE1 VDE2,VD2,VE,VH,VHE,VJE2,VJ2,VKB2,VK2,VMA2,VME2,VMT,VMX,VM2,VNG1,VNG2 VN17,VN27,VPE4,VPE7,VPX4,VPX7,VS1,VS3,VSD,VSD4,VSD7,VTE1,VTE2 VTE5,VMA,VMA2,VWT4,VX,VXB,VXB7,VXE,VXEB,VXE2,VXE4,VXE6,VXE7,VXE8 VXFB,VXP,VXQP,VXQ4,VXTB,VXT1,VXU,VXU1,VX8,YJ
			1	-	-	-----	2192260 ZK1
			-	(1)	-		
			1	-	-	-----	EN6,QXS4,SXC
			2	-	-	-----	ZK1
			1	-	-	-----	2192261
18	16592-883-310	SPRING, CABLE RETURN	1	-	1	-----	BJ,HA,HAQ,HA2,HH,HJA,HJA2,HX,LH,LHB1,LHB3,LHC,LHE,LHP1,LHW,LJ,LJG LKE,LKF1,LMH,LT,LTk,LTk1,LWD,LX,LXE,LXE2,LXE4,LXE8,LXQ4,LXU,LXZ LX2,PAE2,PA2,PX,PXE,PXE8,PXU,QA,QAE,QAE2,QAE6,QAP,QAQ,QAW,QA2 QA26,QDW9,QE,QH,QHB3,QHC,QHE,QHP1,QH2,QKA2,QKA4,QKB2,QKE2,QK4 QMEO,QME1,QMH,QMP,QND,QNE,QNE2,QNE6,QNE8,QNE9,QNK,QNR2,QNR6,QN18 QP,QT,QWA2,QWA4,QWC4,QWH2,QWT2,QX,QXB,QXB7,QXC,QXC4,QXC6,QXC9,QXE QXEB,QXE2,QXE4,QXE6,QXE7,QXE8,QXQ4,QXQ7,QXS4,QXU,SCK4,SE,SH,SHB1 SHB3,SHE,SHEZ,SHQ4,SHW,SJ,SJG,SKA,SMC1,SMD3,SMEO,SME1,SME6,SMX SM11,SM32,SN,SNC,SNC9,SNT2,STC4,SWA4,SWE,SWX,SX,SBX,SBX7,SXC,SXE SXEB,SXE4,SXE7,SXE8,SXP,SXQ4,SXU,SX2,VA,VAE,VAE2,VAE4,VAE6,VAE8,VAE10 VH,VHE,VMA2,VME2,VM2,VNG1,VNG2,VTE1,VTE2,VTE5,VMA,VMA2,VWT4,VX,VXB,VXB7,VXE,VXEB,VXE2,VXE4,VXE6,VXE7,VXE8 VXFB,VXP,VXQP,VXQ4,VXTB,VXT1,VXU,VXU1,VX8,YJ
			-	(1)	-		
19	16594-883-010	HOLDER, WIRE	1	-	-	-----	BJ,LHW,LJ,LJG,LKE,LKF1,LT,LTk,LTk1,LWD,QDW9,QKA2,QKA4,QKE2,QK4 QNK,SCK4,SHW,SJ,SJG,SKA,SMC1,SMD3,SMEO,SME1,SME6,SM11,SM32,SNC,SNC9 SNT2,STC4,SXP,YJ
			1	-	-	-----	2192261
			-	(1)	-		ZK1
	16617-ZE3-H00	1	-	-	-----	2192260 ZK1
20	16599-ZG1-M10	COLLAR, STOPPER	(1)	-	(1)	-----	LKE,LXE4,LXQ4,QKA4,QK4,QMEO,QME1,QWA4,QWC4,QXB7,QXC4,QXE4,QXE7 QXQ4,QXQ7,SCK4,SHQ4,SMC1,SMD3,SMEO,SME6,STC4,SWA4,SBX7,SXE4,SXE7 SXQ4,VN17,VN27,VPE4,VPE7,VPX4,VPX7,VSD7,VWT4,VXB7,VXE4,VXE7,VXFB VXQP,VXQ4,VXTB

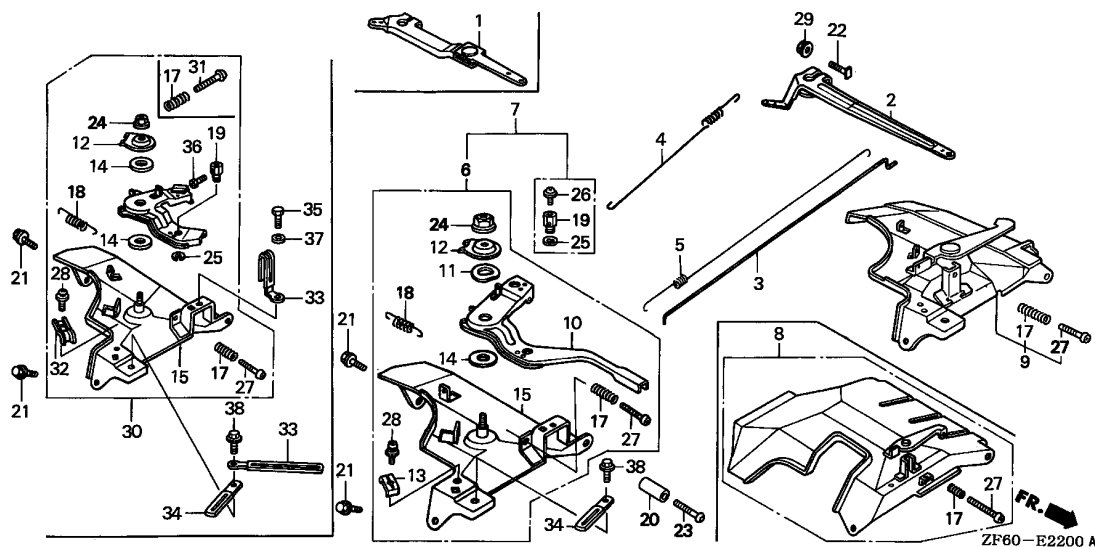




Ref. No.	Part No.	Description	Reqd. QTY			Serial No.	Parts catalogue code
			(1)	(2)	(3)		
21	90013-883-000	BOLT, FLANGE, 6X12(CT200) ...	2	-	2	-----	BJ,EDD2,EDS,EDS1,EDS2,EDS3,EDS5,EDS6,EDS7,EDT1,EDT5,EDT6,ED6,ED8,ED9,EN6,ES1,ES3,ES4,ES5,EWS3,EWS5,HA,HAQ,HA2,HH,HJA,HJA2,HX,LH,LHB1,LHB3,LHC,LHE,LHP1,LHW,LJ,LJG,LKE,LKF1,LMH,LP,LT,LTk,LTk1,LWD,LX,LXE,LXE2,LXE4,LXE8,LXQ4,LXU,LXZ,LX2,PAE2,PA2,PX,PXE,PXE8,PXU,QA,QAE,QAE2,QAE6,QAP,QAQ,QAW,QA2,QA26,QDW9,QE,QH,QHB3,QHC,QHE,QHP1,QH2,QKA2,QKA4,QKB2,QKE2,QK4,QMED,QME1,QMH,QMP,QND,QNE,QNE2,QNE6,QNE8,QNE9,QNK,QNR2,QNR6,QN18,QP,QT,QWA2,QWA4,QWC4,QWH2,QWT2,QX,QXB,QXB7,QXC,QXC4,QXC6,QXC9,QXE,QXEB,QXE2,QXE4,QXE6,QXE7,QXE8,QXQ4,QXQ7,QXS4,QXU,SCK4,SE,SH,SHB1,SHB3,SHE,SHEZ,SHQ4,SHW,SJ,SJG,SKA,SMC1,SMD3,SME0,SME1,SME6,SMX,SM11,SM32,SN,SNC,SNC9,SNT2,STC4,SWA4,SWE,SWX,SX,SBX,SBX7,SXC,SXE,SXEB,SXE4,SXE7,SXE8,SXP,SXQ4,SXU,SX2,VA,VAA,VAE,VAA1,VAC2,VAG2,VAP,VA2,VCN2,VC2,VDB2,VDE1,VDE2,VD2,VE,VH,VHE,VJE2,VJ2,VKB2,VK2,VMA2,VME2,VMT,VMX,VM2,VNG1,VNG2,VN17,VN27,VPE4,VPE7,VPX4,VPX7,VSB1,VSB3,VSD,VSD4,VSD7,VTE1,VTE2,VTE5,VVA,VVA2,VVT4,VX,VXB,VXB7,VXE,VXEB,VXE2,VXE4,VXE6,VXE7,VXE8,VXFB,VXP,VXQP,VXQ4,VXTB,VXT1,VXU,VXU1,VX8,YJ,ZK1
			-	2	-		

Ref. No.	Part No.	Description	Reqd. QTY			Serial No.	Parts catalogue code	
			(1)	(2)	(3)			
22	90015-ZE5-010	BOLT, GOVERNOR ARM	1	-	1	-----	BJ,EDD2,EDS,EDS1,EDS2,EDS3,EDS5,EDS6,EDS7,EDT1,EDT5,EDT6,ED6,ED8,ED9,EN6,ES1,ES3,ES4,ES5,EWS3,EWS5,HA,HAQ,HA2,HH,HJA,HJA2,HX,LH,LHB1,LHB3,LHC,LHE,LHP1,LHW,LJ,LJG,LKE,LKF1,LMH,LT,LTK,LTK1,LWD,LX,LXE,LXE2,LXE4,LXE8,LXQ4,LXU,LXZ,LX2,PAE2,PA2,PX,PXE,PXE8,PXU,QA,QAE,QAE2,QAE6,QAP,QAQ,QAW,QA2,QA26,QDW9,QE,QH,QHB3,QHC,QHE,QHP1,QH2,QKA2,QKA4,QKB2,QKE2,QK4,QMEO,QME1,QMH,QMP,QND,QNE,QNE2,QNE6,QNE8,QNE9,QNK,QNR2,QNR6,QN18,QP,QT,QWA2,QWA4,QWC4,QWH2,QWT2,QX,QXB,QXB7,QXC,QXC4,QXC6,QXC9,QXE,QXEB,QXE2,QXE4,QXE6,QXE7,QXE8,QXQ4,QXQ7,QXS4,QXU,SCK4,SE,SH,SHB1,SHB3,SHE,SHEZ,SHQ4,SHW,SJ,SJG,SKA,SMC1,SMD3,SME0,SME1,SME6,SMX,SM11,SM32,SN,SNC,SNC9,SNT2,STC4,SWA4,SWE,SWX,SX,SBX,SBX7,SXC,SXE,SXEB,SXE4,SXE7,SXE8,SXP,SXQ4,SXU,SX2,VA,VAA,VAE,VAA1,VAC2,VAG2,VAP,VA2,VCN2,VC2,VDB2,VDE1,VDE2,VD2,VE,VH,VHE,VJE2,VJ2,VKB2,VK2,VMA2,VME2,VMT,VMX,VM2,VNG1,VNG2,VN17,VN27,VPE4,VPE7,VPX4,VPX7,VSB1,VSB3,VSD,VSD4,VSD7,VTE1,VTE2,VTE5,VVA,VVA2,VVT4,VX,VXB,VXB7,VXE,VXEB,VXE2,VXE4,VXE6,VXE7,VXE8,VXFB,VXP,VXQP,VXQ4,VXTB,VXT1,VXU,VXU1,VX8,YJ,ZK1	
23	90016-ZG9-N30	SCREW, RECESSED, 5X25	(1)	-	(1)	-----	LKE,LXE4,LXQ4,QKA4,QK4,QMEO,QME1,QWA4,QWC4,QXB7,QXC4,QXE4,QXE7,QXQ4,QXQ7,SCK4,SHQ4,SMC1,SMD3,SME0,SME6,STC4,SWA4,SBX7,SXE4,SXE7,SXQ4,VN17,VN27,VPE4,VPE7,VPX4,VPX7,VSD7,VWT4,VXB7,VXE4,VXE7,VXFB,VXQP,VXQ4,VXTB	
24	90114-SAO-000	NUT, SELF-LOCK, 6MM	(1)	-	-	2145616	-----	QE,QXB,QXEB,SNC,SBX,SXEB,VMX,VNG1,VNG2,VSD,VXB,VXEB
			1	-	1	-----	BJ,HA,HAQ,HA2,HH,HJA,HJA2,HX,LH,LHB1,LHB3,LHC,LHE,LHP1,LHW,LJ,LJG,LKE,LKF1,LMH,LT,LTK,LTK1,LWD,LX,LXE,LXE2,LXE4,LXE8,LXQ4,LXU,LXZ,LX2,PAE2,PA2,PX,PXE,PXE8,PXU,QA,QAE,QAE2,QAE6,QAP,QAQ,QAW,QA2,QA26,QDW9,QE,QH,QHB3,QHC,QHE,QHP1,QH2,QKA2,QKA4,QKB2,QKE2,QK4,QMEO,QME1,QMH,QMP,QND,QNE,QNE2,QNE6,QNE8,QNE9,QNK,QNR2,QNR6,QN18,QP,QT,QWA2,QWA4,QWC4,QWH2,QWT2,QX,QXB,QXB7,QXC,QXC4,QXC6,QXC9,QXE,QXEB,QXE2,QXE4,QXE6,QXE7,QXE8,QXQ4,QXQ7,QXS4,QXU,SCK4,SE,SH,SHB1,SHB3,SHE,SHEZ,SHQ4,SHW,SJ,SJG,SKA,SMC1,SMD3,SME0,SME1,SME6,SMX,SM11,SM32,SN,SNC,SNC9,SNT2,STC4,SWA4,SWE,SWX,SX,SBX,SBX7,SXC,SXE,SXEB,SXE4,SXE7,SXE8,SXP,SXQ4,SXU,SX2,VA,VAE,VAP,VA2,VDE1,VDE2,VE,VH,VHE,VMA2,VME2,VM2,VNG1,VNG2,VN17,VN27,VTE1,VTE5,VX,VXB,VXB7,VXE,VXEB,VXE2,VXE4,VXE6,VXE7,VXFB,VXP,VXQP,VXQ4,VXTB,YJ,ZK1	
25	90605-230-000	CIRCLIP, 5MM	1	-	-	2143011	-----	VAA
			1	-	-	-----	BJ,LHW,LJ,LJG,LKE,LKF1,LT,LTK,LTK1,LWD,QDW9,QKA2,QKA4,QKE2,QK4,QNK,SCK4,SHW,SJ,SJG,SKA,SMC1,SMD3,SME1,SME6,SM11,SM32,SNC,SNC9,SNT2,STC4,SXP,YJ,ZK1	
26	93500-04006-0H	SCREW, PAN, 4X6	1	-	-	-----	BJ,LHW,LJ,LJG,LKE,LKF1,LT,LTK,LTK1,LWD,QDW9,QKA2,QKA4,QKE2,QK4,QNK,SCK4,SHW,SJ,SJG,SKA,SMC1,SMD3,SME1,SME6,SM11,SM32,SNC,SNC9,SNT2,STC4,SXP,YJ	

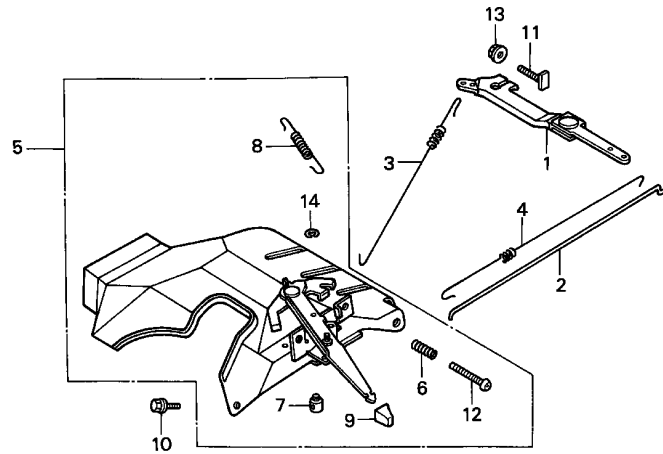




Ref. No.	Part No.	Description	Reqd. QTY			Serial No.	Parts catalogue code
			GX390K1	(1)	(2)		
27	93500-05032-0A	SCREW, PAN, 5X32	1	-	1	-----	BJ, EDS5, HA, HAQ, HA2, HH, HJA, HJA2, HX, LH, LHB1, LHB3, LHC, LHE, LHP1, LHW, LJ, LJG, LKE, LKF1, LMH, LT, LTK, LTK1, LWD, LX, LXE, LXE2, LXE4, LXE8, LXQ4, LXU, LXZ, LX2, PAE2, PA2, PX, PXE, PXE8, PXU, QA, QAE, QAE2, QAE6, QAP, QAQ, QAW, QA2, QA26, QDW9, QE, QH, QHB3, QHC, QHE, QHP1, QH2, QKA2, QKA4, QKB2, QKE2, QK4, QME0, QME1, QMH, QMP, QND, QNE, QNE2, QNE6, QNE8, QNE9, QNK, QNR2, QNR6, QN18, QP, QT, QWA2, QWA4, QWC4, QWH2, QWT2, QX, QXB, QXB7, QXC, QXC4, QXC6, QXC9, QXE, QXEB, QXE2, QXE4, QXE6, QXE7, QXE8, QXQ4, QXQ7, QXS4, QXU, SCK4, SE, SH, SHB1, SHB3, SHE, SHEZ, SHQ4, SHW, SJ, SJG, SKA, SMC1, SMD3, SME0, SME1, SME6, SMX, SM11, SM32, SN, SNC, SNC9, SNT2, STC4, SWA4, SWE, SWX, SX, SXB, SXB7, SXC, SXE, SXEB, SXE4, SXE7, SXE8, SXP, SXQ4, SXU, SX2, VA, VAAE, VAP, VA2, VDE1, VDE2, VE, VH, VHE, VMA2, VME2, VM2, VNG1, VNG2, VN17, VN27, VTE1, VTE5, VX, VXB, VXB7, VXE, VXEB, VXE2, VXE4, VXE6, VXE7, VXF, VXP, VXQP, VXQ4, VXTB, YJ, ZK1
			1	-	-	-----	2143011 VAA
	93500-05035-0A	SCREW, PAN, 5X35	1	-	-	-----	EDD2, EDS, EDS1, EDS2, EDS3, EDS6, EDS7, EDT1, EDT5, EDT6, ED6, EN6, ES3, ES4, ES5, EWS3, EWS5, VAA1, VMT, VSB1, VSB3, VSD4, VTE2
	93500-05045-0A	SCREW, PAN, 5X45	1	-	-	2143012	----- VAA
	93500-05045-0A	SCREW, PAN, 5X45	1	-	-	-----	ED8, ED9, ES1, VAC2, VAG2, VCN2, VC2, VDB2, VD2, VJE2, VJ2, VKB2, VK2, VMX, VPE4, VPE7, VPX4, VPX7, VSD, VSD7, VMA, VMA2, VWT4, VXE8, VXT1, VXU, VXU1, VX8
28	93893-05016-00	SCREW-WASHER, 5X16	1	(1)	-	-----	2066749 HA, HAQ, HH, HJA, HX, LH, LHC, LHE, LX, LXE, LXZ, L1, PX, QA, QAE, QAQ, QE, QH, QHC, QHE, QNE, QNE9, QP, QT, QX, QXB, QXC, QXE, QXEB, SE, SH, SHE, SWE, SWX, SX, SXB, SXE, SXEB, SXP, S1, VA
			1	(1)	-	-----	2067550 BJ, LJ, LWD, Q1, SJ, V1, YJ
			1	-	-	-----	LKE, SHEZ, SKA, SMX, SNC

Ref. No.	Part No.	Description	Reqd. QTY			Serial No.	Parts catalogue code
			(1)	(2)	(3)		
28)	93500-05016-0A	SCREW, PAN, 5X16	1	(1)	-	2066750 -----	HA,HAQ,HH,HJA,HX,LH,LHC,LHE,LX,LXE,LXZ,L1,PX,QA,QAE,QAQ,QE,QH,QHC,QHE,QNE,QNE9,QP,QT,QX,QXB,QXC,QXE,QXEB,SE,SH,SHE,SWE,SWX,SX,SBX,SXE,SXEB,SXP,S1,VA
			1	(1)	-	2067551 -----	BJ,LJ,LWD,Q1,SJ,V1,YJ
			1	-	1	-----	HA2,HJA2,LHB1,LHB3,LHP1,LHW,LJG,LKF1,LMH,LT,LTK,LTK1,LXE2,LXE4,LXE8,LXQ4,LXU,LX2,PAE2,PA2,PXE,PXE8,PXU,QAE2,QAE6,QAP,QAW,QA2,QA26,QDW9,QHB3,QHP1,QH2,QKA2,QKA4,QKB2,QKE2,QK4,QMEO,QME1,QMH,QMP,QND,QNE2,QNE6,QNE8,QNK,QNR2,QNR6,QN18,QWA2,QWA4,QWC4,QWH2,QWT2,QXB7,QXC4,QXC6,QXC9,QXE2,QXE4,QXE6,QXE7,QXE8,QXQ4,QXQ7,QXS4,QXU,SCK4,SHB1,SHB3,SHQ4,SHW,SJG,SKA,SMC1,SMD3,SMEO,SME1,SME6,SM11,SM32,SNC9,SNT2,STC4,SWA4,SBX7,SXC,SXE4,SXE7,SXE8,SXQ4,SXU,SX2,VA2,VMA2,VME2,VM2
			1	-	-	2192260	ZK1
			(1)	-	-	-----	LKE,SMX
29	94050-06000	NUT, FLANGE, 6MM	1	-	1	-----	BJ,EDD2,EDS,EDS1,EDS2,EDS3,EDS5,EDS6,EDS7,EDT1,EDT5,EDT6,ED6,ED8,ED9,EN6,ES1,ES3,ES4,ES5,EWS3,EWS5,HA,HAQ,HA2,HH,HJA,HJA2,HX,LH,LHB1,LHB3,LHC,LHE,LHP1,LHW,LJ,LJG,LKE,LKF1,LMH,LT,LTK,LTK1,LWD,LX,LXE,LXE2,LXE4,LXE8,LXQ4,LXU,LXZ,LX2,PAE2,PA2,PX,PXE,PXE8,PXU,QA,QAE,QAE2,QAE6,QAP,QAW,QA2,QA26,QDW9,QE,QH,QHB3,QHC,QHE,QHP1,QH2,QKA2,QKA4,QKB2,QKE2,QK4,QMEO,QME1,QMH,QMP,QND,QNE,QNE2,QNE6,QNE8,QNE9,QNK,QNR2,QNR6,QN18,QP,QT,QWA2,QWA4,QWC4,QWH2,QWT2,QX,QXB,QXB7,QXC,QXC4,QXC6,QXC9,QXE,QXE6,QXE7,QXE8,QXQ4,QXQ7,QXS4,QXU,SKA,SMC1,SMD3,SMEO,SME1,SME6,SMX,SM11,SM32,SN,SNC,SNC9,SNT2,STC4,SWA4,SWE,SWX,SX,SBX,SBX7,SXC,SXE,SXEB,SXE4,SXE7,SXE8,SXP,SXQ4,SXU,SX2,VA,VAA,VAE,VAA1,VAC2,VAG2,VAP,VA2,VCN2,VC2,VDB2,VDE1,VDE2,VD2,VE,VH,VHE,VJE2,VJ2,VKB2,VK2,VMA2,VME2,VMT,VMX,VM2,VNG1,VNG2,VN17,VN27,VPE4,VPE7,VPX4,VPX7,VS1,VS3,VSD,VSD4,VSD7,VTE1,VTE2,VTE5,VWA,VWA2,VWT4,VX,VXB,VXB7,VXE,VXE6,VXE7,VXE8,VXFB,VXP,VXQP,VXQ4,VXTB,VXT1,VXU,VXU1,VX8,YJ,ZK1
			1	-	-	-----	ZK1
30	16570-ZE3-L61	CONTROL ASSY. (REMOTE)	1	-	-	-----	ZK1
31	90122-735-000	SCREW, PAN, 5X35	1	-	-	2192261	2240894 ZK1
	93500-05032-0A	SCREW, PAN, 5X32	1	-	-	2240895	----- ZK1
32	16582-883-300	HOLDER, CONTROL CABLE	1	-	-	2192260	ZK1
33	32170-KR5-000	CLIP, WIRE HARNESS	2	-	-	-----	ZK1
34	91406-657-671	CLIP, WIRE HARNESS	1	-	-	-----	ZK1
			1	-	-	2299751	----- SHW
35	92101-05012-0A	BOLT, HEX., 5X12	1	-	-	-----	ZK1
36	92301-04006-0A	BOLT, RECESSED, 4X6	1	-	-	-----	ZK1
37	94101-05000	WASHER, PLAIN, 5MM	1	-	-	-----	ZK1
38	95701-06016-00	BOLT, FLANGE, 6X16	1	-	-	-----	ZK1
			1	-	-	2299751	----- SHW



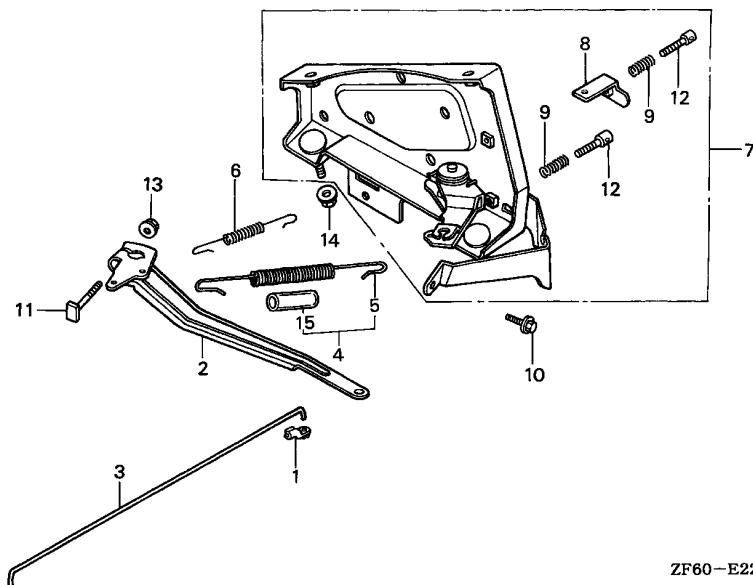


ZF60-E2201



Service item	F.R.T.
SPRING, LINK	0.1
ARM COMP., GOVERNOR	0.2
.CONTROL ASSY.	
.ROD, GOVERNOR	
.SPRING, GOVERNOR	
.SPRING, THROTTLE RETURN	

Ref. No.	Part No.	Description	Reqd. QTY			Serial No.	Parts catalogue code
			GX390K1	(1)	(2)		
1	16550-ZE3-700	ARM COMP., GOVERNOR	1	-	-	-----	EWS1,EWS4
2	16555-ZE3-000	ROD, GOVERNOR	1	-	-	-----	EWS1,EWS4
3	16561-ZE3-000	SPRING, GOVERNOR	1	-	-	-----	EWS1,EWS4
4	16562-ZE3-700	SPRING, THROTTLE RETURN	1	-	-	-----	EWS1,EWS4
5	16570-ZE3-731	CONTROL ASSY.	1	-	-	-----	EWS1,EWS4
6	16584-883-300	SPRING, CONTROL ADJUSTING ...	2	-	-	-----	EWS1,EWS4
7	16585-ZE3-730	HOLDER, THROTTLE CHANGE WIRE	1	-	-	-----	EWS1,EWS4
8	16586-ZE3-730	SPRING, LINK	1	-	-	-----	EWS1,EWS4
9	32343-892-003	KNOB, COCK LEVER	1	-	-	-----	EWS1,EWS4
10	90013-883-000	BOLT, FLANGE, 6X12(CT200) ...	2	-	-	-----	EWS1,EWS4
11	90015-ZE5-010	BOLT, GOVERNOR ARM	1	-	-	-----	EWS1,EWS4
12	93500-05032-0A	SCREW, PAN, 5X32	2	-	-	-----	EWS1,EWS4
13	94050-06000	NUT, FLANGE, 6MM	1	-	-	-----	EWS1,EWS4
14	94540-03018	E-RING, 3MM	1	-	-	-----	EWS1,EWS4

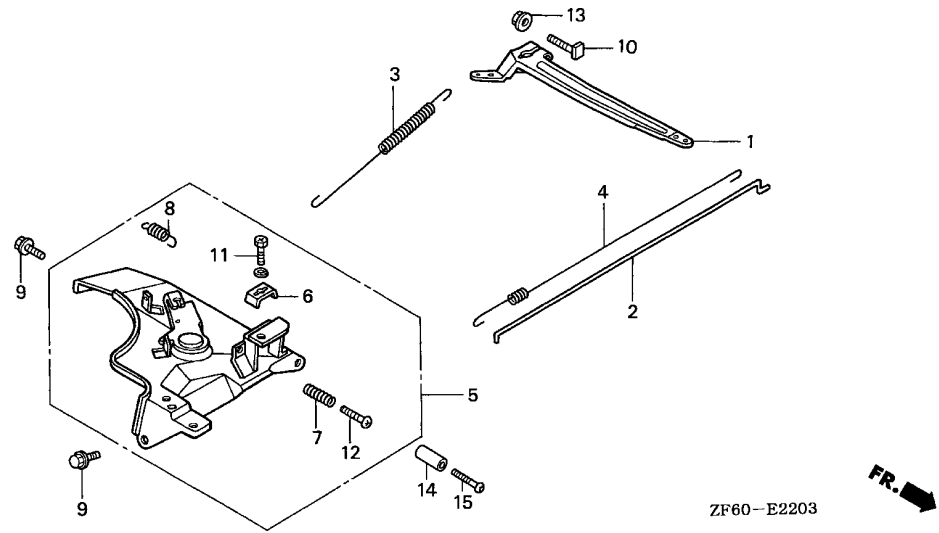


ZF60-E2202

Service item	F.R.T.
JOINT, ROD	0.1
.ROD, GOVERNOR	
SPRING, GOVERNOR	0.2
ARM, GOVERNOR	0.3
.CONTROL ASSY.	

Ref. No.	Part No.	Description	Reqd. QTY			Serial No.	Parts catalogue code
			GX390K1				
			(1)	(2)	(3)		
1	16263-ZE3-790	JOINT, ROD	1	-	1	SXK,SXKP,SXK1	
2	16551-ZE3-790	ARM, GOVERNOR	1	-	1	SXK,SXKP,SXK1	
3	16555-ZE3-790	ROD, GOVERNOR	1	-	1	SXK,SXKP,SXK1	
4	16560-ZE3-790	SPRING ASSY., GOVERNOR	1	-	1	SXK,SXKP,SXK1	
5	16561-ZE3-790	SPRING, GOVERNOR	1	-	1	SXK,SXKP,SXK1	
6	16563-ZF6-U10	SPRING, GOVERNOR	1	-	1	SXK,SXKP,SXK1	
7	16570-ZE3-791	CONTROL ASSY.	1	-	1	SXK,SXKP,SXK1	
8	16571-898-000	PLATE COMP., CONTROL	1	-	1	SXK,SXKP,SXK1	
9	16584-ZE3-790	SPRING, CONTROL ADJUSTING ...	2	-	2	SXK,SXKP,SXK1	
10	90013-883-000	BOLT, FLANGE, 6X12(CT200) ...	2	-	2	SXK,SXKP,SXK1	
11	90015-ZE3-790	BOLT, GOVERNOR ARM	1	-	1	SXK,SXKP,SXK1	
12	90121-ZE3-790	SCREW, LOCK PAN	2	-	2	SXK,SXKP,SXK1	
13	94050-06000	NUT, FLANGE, 6MM	1	-	1	SXK,SXKP,SXK1	
14	94050-08000	NUT, FLANGE, 8MM	2	-	2	SXK,SXKP,SXK1	
15	95003-25003-20	TUBE, VINYL, 9X11X30 (95003-25001-10M)	1	-	1	SXK,SXKP,SXK1	



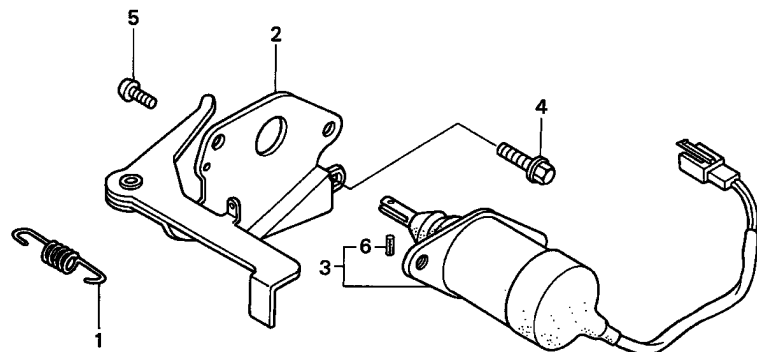


ZF60-E2203

Service item	F.R.T.
SPRING, CONTROL LEVER RETURN	0.1
ARM, GOVERNOR	0.2
CONTROL ASSY.	
SPRING, GOVERNOR	
SPRING, THROTTLE RETURN	
ROD, GOVERNOR	0.3

Ref. No.	Part No.	Description	Reqd. QTY			Serial No.	Parts catalogue code
			(1)	(2)	(3)		
1	16551-ZE3-000	ARM, GOVERNOR	1	-	-	LWD1,SKAE	
2	16555-ZE3-000	ROD, GOVERNOR	1	-	-	LWD1,SKAE	
3	16561-ZE3-000	SPRING, GOVERNOR	1	-	-	LWD1,SKAE	
4	16562-ZE3-000	SPRING, THROTTLE RETURN	1	-	-	LWD1,SKAE	
5	16570-ZE3-H02	CONTROL ASSY.	1	-	-	LWD1	
	16570-ZK6-W80		1	-	2793292	SKAE	
6	16576-891-000	HOLDER, CABLE	1	-	-	LWD1,SKAE	
7	16584-883-300	SPRING, CONTROL ADJUSTING	1	-	-	LWD1,SKAE	
8	16593-ZG1-700	SPRING, CONTROL LEVER RETURN	1	-	-	LWD1,SKAE	
9	90013-883-000	BOLT, FLANGE, 6X12(CT200)	2	-	-	LWD1,SKAE	
10	90015-ZE5-010	BOLT, GOVERNOR ARM	1	-	-	LWD1,SKAE	
11	92301-05016-0A	BOLT, RECESSED, 5X16	1	-	-	LWD1,SKAE	
12	93500-05032-0A	SCREW, PAN, 5X32	1	-	-	LWD1,SKAE	
13	94050-06000	NUT, FLANGE, 6MM	1	-	-	LWD1,SKAE	
14	16599-ZG1-M10	COLLAR, STOPPER	(1)	-	-	SKAE	
15	90016-ZG9-N30	SCREW, RECESSED, 5X25	(1)	-	-	SKAE	

2

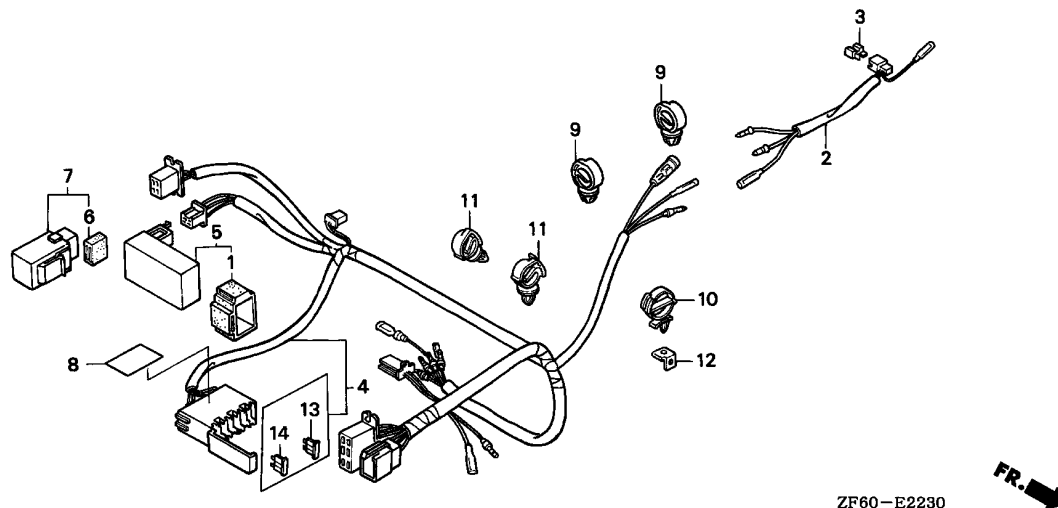


ZF60-E2220

Service item	F.R.T.
LEVER COMP., THROTTLE	0.2
SOLENOID ASSY.	0.3

Ref. No.	Part No.	Description	Reqd. QTY			Serial No.	Parts catalogue code
			(1)	(2)	(3)		
1	16268-893-000	SPRING, CHOKE RETURN	1	-	-	-----	EDD2,EDS,EDS2,EDS5,EDS6,EDS7,EDT5,EDT6,ED6,EN6,EWS1,EWS3,EWS4 EWS5,VC2,VDB2,VD2,VMT,VTE2
2	17850-ZD1-E30	LEVER COMP., THROTTLE	1	-	-	2117728	EDS1
3	36160-ZB4-003	SOLENOID ASSY.	1	-	-	2117728	EDD2,EDS,EDS2,EDS5,EDS6,EDS7,EDT5,EDT6,ED6,EN6,EWS1,EWS3,EWS4 EWS5,VC2,VDB2,VD2,VMT,VTE2
4	90013-883-000	BOLT, FLANGE, 6X12(CT200) ...	1	-	-	2117728	EDS1
5	93500-05008-0A	SCREW, PAN, 5X8	2	-	-	2117728	EDD2,EDS,EDS2,EDS5,EDS6,EDS7,EDT5,EDT6,ED6,EN6,EWS1,EWS3,EWS4 EWS5,VC2,VDB2,VD2,VMT,VTE2
6	94305-20062	PIN, SPRING, 2X6	1	-	-	2117728	EDS1

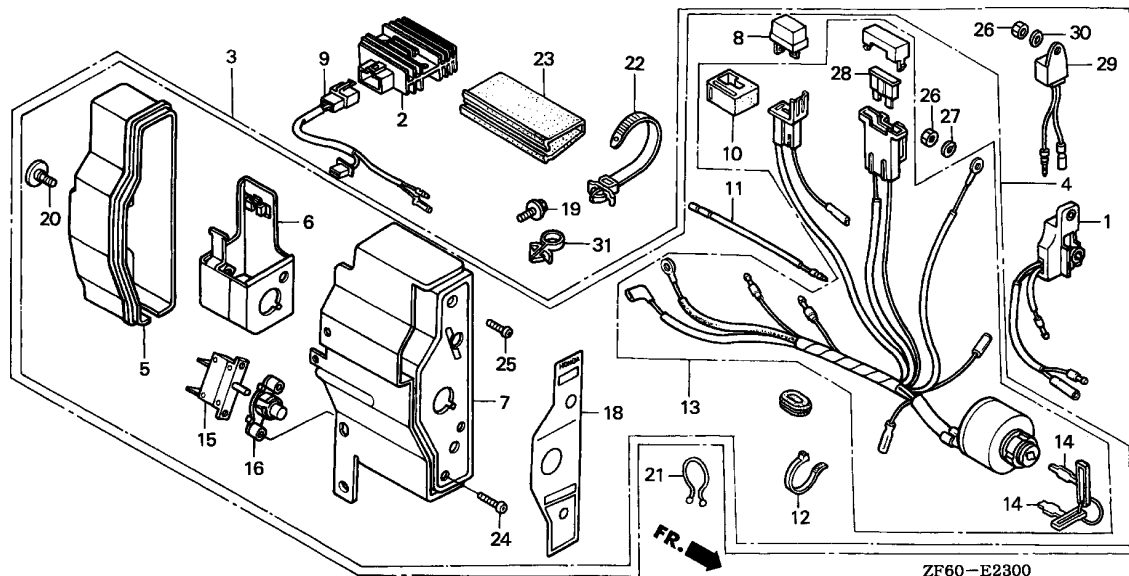




ZF60-E2230

Service item	F.R.T.
DIODE ASSY., SOLENOID	0.1
.FUSE, BLADE	
CONTROL UNIT, SOLENOID	0.2
.TIMER UNIT	
HARNESS ASSY., SUB WIRE	0.4

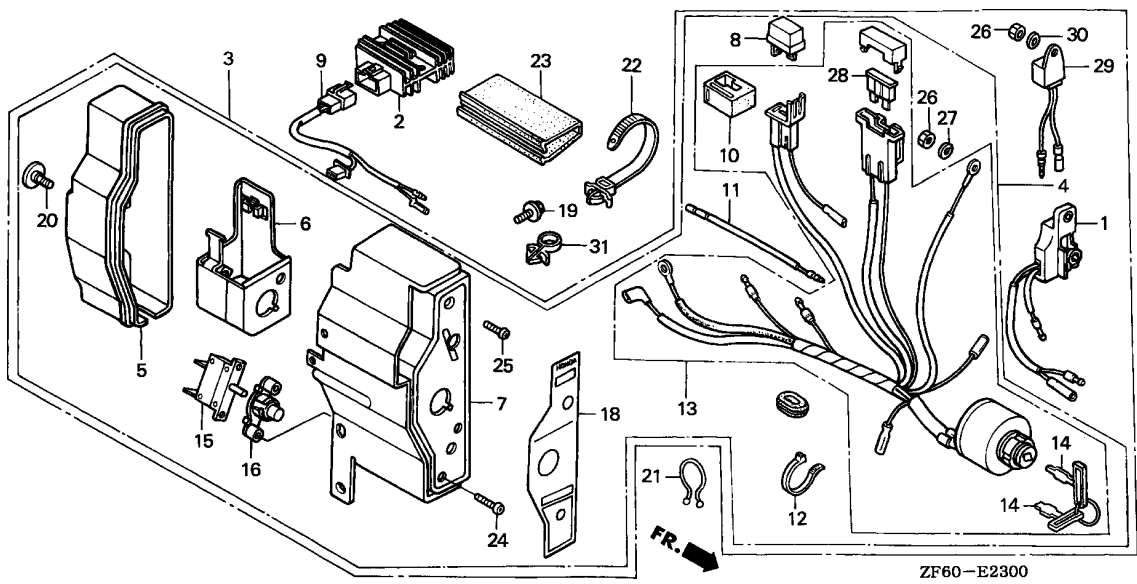
Ref. No.	Part No.	Description	Reqd. QTY			Serial No.	Parts catalogue code
			GX390K1	(1)	(2)		
1	30401-HA0-000	CUSHION, C.D.I. UNIT	1	-	-	EDS5	
2	31700-ZB7-003	DIODE ASSY., SOLENOID	1	-	-	EDS5	
3	31700-166-008	RECTIFIER COMP., SILICON	1	-	-	EDS5	
4	32100-ZB7-A00	HARNESS ASSY., SUB WIRE	1	-	-	2334667 EDS5	
	32100-ZB7-A01	1	-	-	2334668 EDS5	
5	36150-ZB7-A01	CONTROL UNIT, SOLENOID	1	-	-	EDS5	
6	38306-KK4-000	SUSPENSION, WINKER RELAY (MITSUBA)	1	-	-	EDS5	
7	39500-ZB7-003	TIMER UNIT	1	-	-	EDS5	
8	87117-ZB7-A30	LABEL, FUSE	1	-	-	EDS5	
9	90683-SA0-003	CLIP, WIRE HARNESS, 25MM	2	-	-	EDS5	
10	90690-SA0-003	STRAP, WIRE HARNESS, 25MM (BLACK)	3	-	-	EDS5	
11	90691-ZB7-003	CLIP, HARNESS	2	-	-	EDS5	
12	90700-ZB7-000	BASE, CORD CLIP	1	-	-	EDS5	
13	98200-30500	FUSE, BLADE (5A)	1	-	-	EDS5	
14	98200-31000	FUSE, BLADE (10A)	1	-	-	EDS5	



Service item	F.R.T.
BOX ASSY., CONTROL	0.1
.FUSE, BLADE	
.HARNES ASSY., SUB WIRE	
ALERT UNIT, OIL	0.2
.LENS ASSY., PROTECTOR	
.PROTECTOR, CIRCUIT	
.RECTIFIER ASSY., REGULATOR	
.RECTIFIER ASSY., SILICON	
.SWITCH ASSY., COMBINATION	

Ref. No.	Part No.	Description	Reqd. QTY			Serial No.	Parts catalogue code
			GX390K1	(1)	(2)		
1	15520-ZE2-822	ALERT UNIT, OIL (SEL)	1	-	-	2042138 LXE,QAE,QXE,QXEB,SXE,SXEB,VAAE,VXE,VXEB	
2	31600-ZE2-861	RECTIFIER ASSY., REGULATOR (10A)	1	-	-	2042138 SHW	
	31620-ZG5-003	RECTIFIER ASSY., REGULATOR (20A)	-	(1)	-	Q1,V1	
3	31610-ZE3-W01ZB	BOX ASSY., CONTROL (INTERNAL-ALERT)	-	(1)	-	2042138 Q1,V1	
	R8BRIGHT RED	-	(1)	-	2042138 Q1,V1	
	31610-ZE3-W11ZB	BOX ASSY., CONTROL (ALERT)	1	-	-	2042138 LXE,QXE,QXEB,SXE,SXEB,VAAE,VXE,VXEB	
	R8BRIGHT RED	-	(1)	-	2042138	
	31610-ZE3-W21ZB	BOX ASSY., CONTROL (ALERT,3A)	1	-	-	2042138 QAE	
	R8BRIGHT RED	-	(1)	-	2042138	
4	31610-ZE3-W02ZB	BOX ASSY., CONTROL (INTERNAL-ALERT)	-	(1)	-	2042139 Q1,V1	
	R8BRIGHT RED	-	(1)	-	2468554 S1	
	31610-ZE3-812ZB	BOX ASSY., CONTROL	1	-	-	LHE,QHE,SHE,SHEZ,SWE,VHE	
	R8BRIGHT RED	-	(1)	-		
	31610-ZE3-842ZB	BOX ASSY., CONTROL (ALERT-3A)	-	(1)	-		
	R8BRIGHT RED	-	(1)	-		
	31610-ZE3-W03ZA	BOX ASSY., CONTROL (INTERNAL-ALERT)	-	(1)	-	2468555 S1	
	NH1BLACK	-	(1)	-	2468555 S1	
	R8BRIGHT RED	-	(1)	-	2468555 S1	





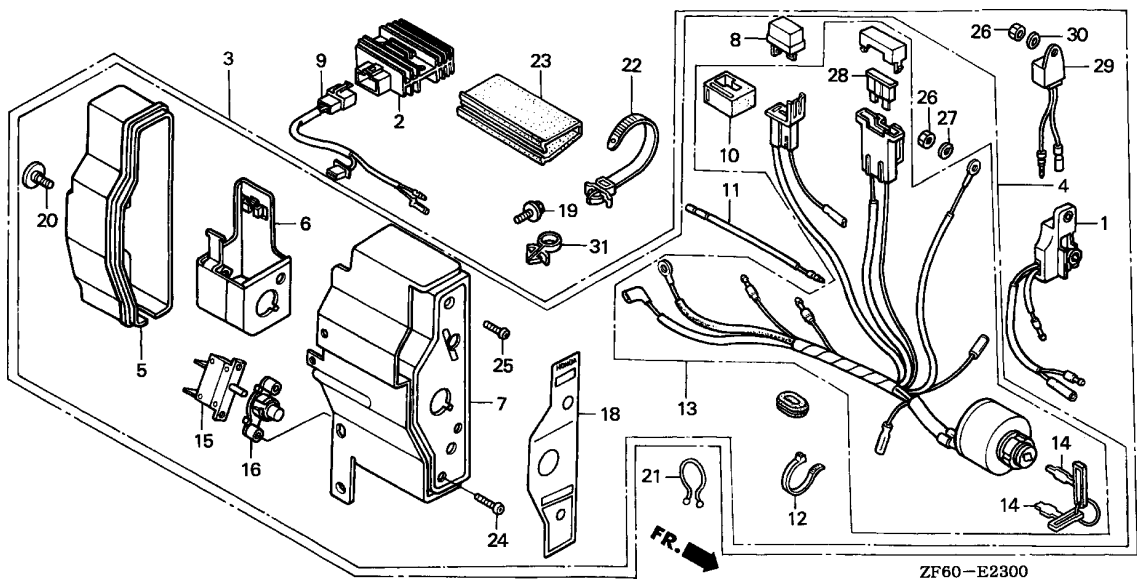
ZF60-E2300

Ref. No.	Part No.	Description	Reqd. QTY			Serial No.	Parts catalogue code
			(1)	(2)	(3)		
(4)	31610-ZE3-W12ZB	BOX ASSY., CONTROL					
		R8.....BRIGHT RED	1	(1)	-	2042139	----- L1,Q1,VAAE
			1	(1)	-	2042139	2468554 LXE,QXE,SXE,S1,VXE,V1
			1	-	-	-----	VDE1
			1	-	-	2468554	LXE2,PXE,QXE2,QXE6,VDE2,VTE1,VXE2,VXE6,VXU1
	31610-ZE3-W12ZC	*T39*.....GEKO BLUE	1	-	-	2042139	2468554 QXEB,SXEB,VXEB
	31610-ZE3-W12ZD	*NH105*...MAT BLACK (#15-#20)	1	-	-	-----	2468554 VXE
			1	-	-	2042139	2468554 VXE
	31610-ZE3-W22ZB	BOX ASSY., CONTROL (3A)					
		R8.....BRIGHT RED	1	(1)	-	2042139	----- L1,QAE,Q1,S1
			1	-	-	-----	2468554 QAE2,QAE6
			-	(1)	-	2042139	2468554 V1
	31610-ZE3-W22ZC	*T39*.....GEKO BLUE	1	-	-	-----	2166500 VNG2
			-	(1)	-	2042139	2468554 V1
	31610-ZE3-W23ZB	BOX ASSY., CONTROL (ALERT,3A)					
		R8.....BRIGHT RED	1	-	-	-----	VK2
			1	-	-	-----	3007811 QKB2
	31610-ZE3-W13ZA	BOX ASSY., CONTROL (ALERT)					
		NH1.....BLACK	-	(1)	-	2468555	----- S1
	31610-ZE3-W13ZB	*R8*.....BRIGHT RED	1	(1)	-	2468555	----- LXE,LXE2,PXE,QXE,QXE2,QXE6,SXE,S1,VDE2,VTE1,VXE,VXE2,VXE6,VXU1,V1
			1	-	-	-----	LXE8,PXE8,QXE8,SXE8,VC2,VJE2,VKB2,VMT,VTE5,VXE8
	31610-ZE3-W13ZC	*T39*.....GEKO BLUE	1	(1)	-	2468555	----- VXE,V1
	31610-ZE3-W13ZD	*NH105*...MAT BLACK (#15-#20)	1	-	-	2468555	----- VDE2,VME2,VXE,VXE2
	31610-ZE3-W23ZB	BOX ASSY., CONTROL (ALERT,3A)					
		R8.....BRIGHT RED	1	(1)	-	2468555	----- QAE2,QAE6,V1
			-	-	1	-----	VAP
	31610-ZE3-W23ZC	*T39*.....GEKO BLUE	-	(1)	-	2468555	----- V1

2

Ref. No.	Part No.	Description	Reqd. QTY			Serial No.	Parts catalogue code
			(1)	(2)	(3)		
(4)	31610-ZE3-W33ZB	BOX ASSY., CONTROL (ALERT,10A) *R8*.....BRIGHT RED	-	(1)	-	2468555	----- Q1
	31610-ZE3-W41ZB	BOX ASSY., CONTROL (18A) *R8*.....BRIGHT RED	-	(1)	-	-----	----- Q1,V1
	31610-ZE3-013ZB	BOX ASSY., CONTROL (INTERNAL) *R8*.....BRIGHT RED	1	(1)	-	-----	----- Q1,SME1,V1
	31610-ZE3-842ZB	BOX ASSY., CONTROL (ALERT-3A) *R8*.....BRIGHT RED	1	-	-	-----	----- LWD
	31610-ZF6-W41ZA	BOX ASSY., CONTROL (ALERT) *R8*.....BRIGHT RED	1	-	-	-----	2468554 LXE4,QXE4,SXE4,VXE4,VXFB
	31610-ZF6-W41ZB	*T39*.....GEKO BLUE	1	-	-	2146876	2468554 QXEB,SXEB,VXEB
	31610-ZF6-W41ZC	BOX ASSY., CONTROL(ALERT) *NH105*...MAT BLACK (#15-#20)	1	-	-	-----	2468554 VXE4
	31610-ZF6-W51ZB	BOX ASSY., CONTROL (ALERT,3A) *T39*.....GEKO BLUE	1	-	-	2166501	2468554 VNG2
	31610-ZF6-W42ZA	BOX ASSY., CONTROL (ALERT) *R8*.....BRIGHT RED	1	-	-	-----	----- QXE7,SXE7,VXE7
	31610-ZF6-W42ZB	*T39*.....GEKO BLUE	1	-	-	2468555	----- LXE4,QXEB,QXE4,SXEB,SXE4,VXEB,VXE4,VXFB
	31610-ZF6-W42ZC	*NH105*...MAT BLACK (#15-#20)	1	-	-	-----	----- VXE7
	31610-ZF6-W52ZB	BOX ASSY., CONTROL (EXTERNAL-ALERT/3A) *T39*.....GEKO BLUE	1	-	-	2468555	----- VXE7,VXE4
	31610-ZF6-W52ZC	*NH1*.....BLACK	1	-	-	-----	----- VXE4
5	31612-ZE2-003	CASE, CONTROL	1	-	1	-----	LHE,LWD,LXE,LXE2,LXE4,LXE8,PXE,PXE8,QAE,QAE2,QAE6,QHE,QXE,QXEB QXE2,QXE4,QXE6,QXE7,QXE8,SHE,SHEZ,SME1,SWE,SXE,SXEB,SXE4,SXE7 SXE8,VAAE,VAP,VC2,VDE1,VDE2,VHE,VJE2,VKB2,VK2,VME2,VMT,VNG2,VN27 VTE1,VTE5,VXE,VXEB,VXE2,VXE4,VXE6,VXE7,VXE8,VXFB,VXU1
			1	-	-	3007811	QKB2
			-	(1)	-	-----	-----
6	31614-ZE2-003	BRACKET, CASE MOUNTING	1	-	1	-----	LHE,LWD,LXE,LXE2,LXE4,LXE8,PXE,PXE8,QAE,QAE2,QAE6,QHE,QXE,QXEB QXE2,QXE4,QXE6,QXE7,QXE8,SHE,SHEZ,SME1,SWE,SXE,SXEB,SXE4,SXE7 SXE8,VAAE,VAP,VC2,VDE1,VDE2,VHE,VJE2,VKB2,VK2,VME2,VMT,VNG2,VN27 VTE1,VTE5,VXE,VXEB,VXE2,VXE4,VXE6,VXE7,VXE8,VXFB,VXU1
			1	-	-	3007811	QKB2
			-	(1)	-	-----	-----
7	31615-ZE3-003ZB	PANEL COMP., CONTROL *R8*.....BRIGHT RED	1	-	1	-----	LWD,LXE,LXE2,LXE4,LXE8,PXE,PXE8,QAE,QAE2,QAE6,QHE,QXE,QXEB,QXE2,QXE4 QXE6,QXE7,QXE8,SME1,SXE,SXEB,SXE4,SXE7,SXE8,VAAE,VAP,VC2,VDE1 VDE2,VJE2,VKB2,VK2,VMT,VTE1,VTE5,VXE,VXEB,VXE2,VXE4,VXE6,VXE7 VXE8,VXFB,VXU1
			1	-	-	3007811	QKB2
			-	(1)	-	-----	-----
	31615-ZE3-003ZC	*T39*.....GEKO BLUE	1	-	-	-----	VNG2,VXE4,VXE7
	31615-ZE3-003ZD	*NH105*...MAT BLACK (#15-#20)	1	-	-	-----	VDE2,VME2,VXE2,VXE7
	31615-ZE3-003ZA	*NH1*.....BLACK	1	-	-	-----	VN27
8	31700-124-008	RECTIFIER ASSY., SILICON (SHINDENGEN)	1	-	1	-----	EDD2,LHE,LWD,LXE,LXE2,LXE4,LXE8,PXE,PXE8,QAE,QAE2,QAE6,QHE,QXE QXEB,QXE2,QXE4,QXE6,QXE7,QXE8,SHE,SHEZ,SME1,SWE,SXE,SXEB,SXE4 SXE7,SXE8,VAAE,VAP,VC2,VDE1,VDE2,VHE,VJE2,VKB2,VK2,VME2,VMT,VNG2 VN27,VTE1,VTE5,VXE,VXEB,VXE2,VXE4,VXE6,VXE7,VXE8,VXFB,VXU1
			1	-	-	3007811	QKB2
			-	(1)	-	-----	-----





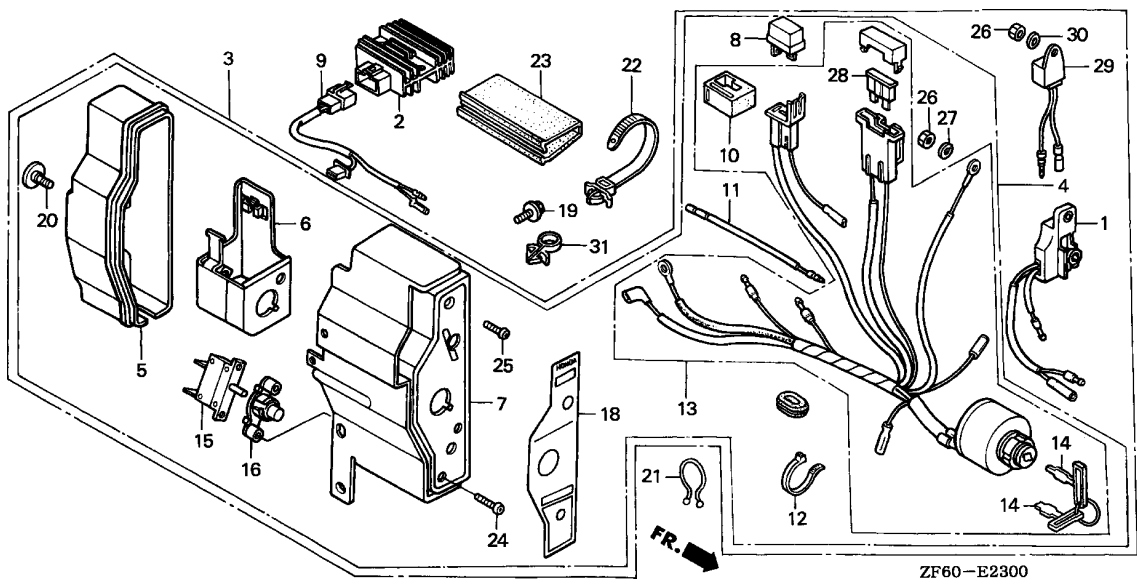
ZF60-E2300

Ref. No.	Part No.	Description	Reqd. QTY			Serial No.	Parts catalogue code
			(1)	(2)	(3)		
9	32110-ZE2-W00 32110-ZE2-860	HARNESS ASSY., SUB WIRE	-	(1)	-	Q1,V1 SHW	
10	32127-738-700	SUSPENSION, COUPLER	1	-	1	LHE,LWD,LXE,LXE2,LXE4,LXE8,PXE,PXE8,QAE,QAE2,QAE6,QHE,QXE,QXEB QXE2,QXE4,QXE6,QXE7,QXE8,SHE,SHEZ,SME1,SWE,SXE,SXEB,SXE4,SXE7 SXE8,VAAE,VAP,VC2,VDE1,VDE2,VHE,VJE2,VKB2,VK2,VME2,VMT,VNG2,VN27 VSD4,VTE1,VTE5,VXE,VXEB,VXE2,VXE4,VXE6,VXE7,VXE8,VXFB,VXU1 QKB2	3007811
11	32197-ZE1-003	SUB HARNESS	1	(1)	1	LXE2,LXE4,PXE,PXE8,QAE2,QAE6,QXE2,QXE4,QXE6,QXE7,Q1,SXE4,SXE7,VAP VC2,VDE2,VJE2,VKB2,VK2,VME2,VMT,VN27,VTE1,VTE5,VXE,VXE2,VXE4,VXE6 VXE7,VXE8,VXFB,VXU1,V1 QKB2	3007811
12	32902-892-003	BAND	1	-	1	LHE,LWD,LXE,LXE2,LXE4,LXE8,PXE,PXE8,QAE,QAE2,QAE6,QHE,QXE,QXEB QXE2,QXE4,QXE6,QXE7,QXE8,SHE,SHEZ,SME1,SWE,SXE,SXEB,SXE4,SXE7 SXE8,VAAE,VAP,VC2,VDE1,VDE2,VHE,VJE2,VKB2,VK2,VME2,VMT,VNG2,VN27 VTE1,VTE5,VXE,VXEB,VXE2,VXE4,VXE6,VXE7,VXE8,VXFB,VXU1 QKB2	3007811
13	35100-ZE2-W01 35100-ZE2-023	SWITCH ASSY., COMBINATION (18A-CHARGE) SWITCH ASSY., COMBINATION ...	-	(1)	-	Q1,V1 LHE,LXE,LXE2,LXE4,LXE8,PXE,PXE8,QHE,QXE,QXEB,QXE2,QXE4,QXE6,QXE7 QXE8,SHE,SHEZ,SME1,SWE,SXE,SXEB,SXE4,SXE7,SXE8,VAAE,VC2,VDE1,VDE2 VHE,VJE2,VKB2,VME2,VMT,VNG2,VSD4,VTE1,VTE5,VXE,VXEB,VXE2,VXE4 VXE6,VXE7,VXE8,VXFB,VXU1	

2

Ref. No.	Part No.	Description	Reqd. QTY			Serial No.	Parts catalogue code
			(1)	(2)	(3)		
13)	35100-ZE2-842	SWITCH ASSY., COMBINATION (3A-CHARGE)	1	-	1	-----	LWD, QAE, QAE2, QAE6, VAP, VK2, VN27
			1	-	-	-----	3007811 QKB2
			-	(1)	-		
14	35111-880-003	KEY COMP.	2	-	2	-----	EDD2, LHE, LWD, LXE, LXE2, LXE4, LXE8, PXE, PXE8, QAE, QAE2, QAE6, QHE, QXE, QXEB, QXE2, QXE4, QXE6, QXE7, QXE8, SHE, SHEZ, SME1, SWE, SXE, SXEB, SXE4, SXE7, SXE8, VAAE, VAP, VC2, VDE1, VDE2, VHE, VJE2, VKB2, VK2, VME2, VMT, VNG2, VN27, VSD4, VTE1, VTE5, VXE, VXEB, VXE2, VXE4, VXE6, VXE7, VXE8, VXFB, VXU1
			2	-	-	-----	3007811 QKB2
			-	(2)	-		
15	38240-VA3-900	PROTECTOR, CIRCUIT (1.0A) ...	1	-	-	-----	LHE, LXE, LXE2, LXE4, LXE8, PXE, PXE8, QHE, QXE, QXEB, QXE2, QXE4, QXE6, QXE7, QXE8, SHE, SHEZ, SME1, SWE, SXE, SXEB, SXE4, SXE7, SXE8, VAAE, VC2, VDE1, VDE2, VHE, VJE2, VKB2, VME2, VMT, VNG2, VTE1, VTE5, VXE, VXEB, VXE2, VXE4, VXE6, VXE7, VXE8, VXFB, VXU1
			-	(1)	-		
	38240-ZE2-840	PROTECTOR, CIRCUIT (3.5A) ...	1	-	1	-----	EDD2, LWD, QAE, QAE2, QAE6, VAP, VK2, VN27
			1	-	-	-----	3007811 QKB2
			-	(1)	-		
16	38250-ZA8-701	LENS ASSY., PROTECTOR	1	-	1	-----	LHE, LWD, LXE, LXE2, LXE4, LXE8, PXE, PXE8, QAE, QAE2, QAE6, QHE, QXE, QXEB, QXE2, QXE4, QXE6, QXE7, QXE8, SHE, SHEZ, SME1, SWE, SXE, SXEB, SXE4, SXE7, SXE8, VAAE, VAP, VC2, VDE1, VDE2, VHE, VJE2, VKB2, VK2, VME2, VMT, VNG2, VN27, VTE1, VTE5, VXE, VXEB, VXE2, VXE4, VXE6, VXE7, VXE8, VXFB, VXU1
			1	-	-	-----	3007811 QKB2
			-	(1)	-		
18	87529-ZE2-811	PANEL, CONTROL BOX (EXTERNAL)	1	-	1	-----	LWD, LXE2, LXE8, PXE, PXE8, QAE2, QAE6, QXE2, QXE6, QXE8, SXE8, VAP, VC2, VDE1, VDE2, VJE2, VKB2, VK2, VME2, VMT, VTE1, VTE5, VXE2, VXE6, VXE8, VXU1
			1	-	-	2042139	LXE, QAE, QXE, SXE, VAAE, VXE
			1	-	-	3007811	QKB2
			1	-	-	2146875	QXEB, SXEB, VNG2, VXEB
			-	1	-	2042139	
	87529-ZE2-821	PANEL, CONTROL BOX (INTERNAL-ALERT)	-	(1)	-	-----	2042138 Q1, V1
	87529-ZE2-831	PANEL, CONTROL BOX (EXTERNAL-ALERT)	1	-	-	-----	2042138 LXE, QAE, QXE, QXEB, SXE, SXEB, VAAE, VNG2, VXE, VXEB
			-	(1)	-	-----	2042138
	87529-ZE2-860	MARK, CONTROL BOX (EXTERNAL-REGULATOR)	-	(1)	-	-----	Q1, V1
	87529-ZE2-010	PANEL, CONTROL BOX (INTERNAL)	1	-	-	-----	SME1
			-	(1)	-	2042139	Q1, V1
	87529-ZH9-W40	MARK, CONTROL BOX (ENGLISH) -	1	-	-	-----	LXE4, QXE4, QXE7, SXE4, SXE7, VN27, VXE4, VXE7, VXFB
			1	-	-	2146876	QXEB, SXEB, VNG2, VXEB
19	90013-883-000	BOLT, FLANGE, 6X12(CT200) ...	2	-	2	-----	LHE, LWD, LXE, LXE2, LXE4, LXE8, PXE, PXE8, QAE, QAE2, QAE6, QHE, QXE, QXEB, QXE2, QXE4, QXE6, QXE7, QXE8, SHE, SHEZ, SME1, SWE, SXE, SXEB, SXE4, SXE7, SXE8, VAAE, VAP, VC2, VDE1, VDE2, VHE, VJE2, VKB2, VK2, VME2, VMT, VNG2, VN27, VTE1, VTE5, VXE, VXEB, VXE2, VXE4, VXE6, VXE7, VXE8, VXFB, VXU1
			2	-	-	-----	3007811 QKB2
			-	(2)	-		
20	90380-MA6-010	SCREW, SPECIAL, 6X12	1	-	1	-----	LHE, LWD, LXE, LXE2, LXE4, LXE8, PXE, PXE8, QAE, QAE2, QAE6, QHE, QXE, QXEB, QXE2, QXE4, QXE6, QXE7, QXE8, SHE, SHEZ, SME1, SWE, SXE, SXEB, SXE4, SXE7, SXE8, VAAE, VAP, VC2, VDE1, VDE2, VHE, VJE2, VKB2, VK2, VME2, VMT, VNG2, VN27, VTE1, VTE5, VXE, VXEB, VXE2, VXE4, VXE6, VXE7, VXE8, VXFB, VXU1
			1	-	-	-----	3007811 QKB2
			-	(1)	-		





ZF60-E2300

Ref. No.	Part No.	Description	Reqd. QTY			Serial No.	Parts catalogue code
			GX390K1				
			(1)	(2)	(3)		
21	90630-751-000	CLIP, PURSE LOCK	1	-	1	-----	LHE,LWD,LXE,LXE2,LXE4,LXE8,PXE,PXE8,QAE,QAE2,QAE6,QHE,QXE,QXEB QXE2,QXE4,QXE6,QXE7,QXE8,SHE,SHEZ,SME1,SWE,SXE,SXEB,SXE4,SXE7 SXE8,VAAE,VAP,VC2,VDE1,VDE2,VHE,VJE2,VKB2,VK2,VME2,VMT,VNG2,VN27 VTE1,VTE5,VXE,VXEB,VXE2,VXE4,VXE6,VXE7,VXE8,VXFB,VXU1
			1	-	-	-----	3007811 QKB2
			-	(1)	-		
22	90672-SA0-003	STRAP, CABLE, 118MM(BLACK) ..	1	-	1	-----	LHE,LWD,LXE,LXE2,LXE4,LXE8,PXE,PXE8,QAE,QAE2,QAE6,QHE,QXE,QXEB QXE2,QXE4,QXE6,QXE7,QXE8,SHE,SHEZ,SME1,SWE,SXE,SXEB,SXE4,SXE7 SXE8,VAAE,VAP,VC2,VDE1,VDE2,VHE,VJE2,VKB2,VK2,VME2,VMT,VNG2,VN27 VTE1,VTE5,VXE,VXEB,VXE2,VXE4,VXE6,VXE7,VXE8,VXFB,VXU1
			1	-	-	-----	3007811 QKB2
			-	(1)	-		
23	91406-ZE2-003	TUBE, FASTENER, 30MM	1	-	1	-----	LHE,LWD,LXE,LXE2,LXE4,LXE8,PXE,PXE8,QAE,QAE2,QAE6,QHE,QXE,QXEB QXE2,QXE4,QXE6,QXE7,QXE8,SHE,SHEZ,SME1,SWE,SXE,SXEB,SXE4,SXE7 SXE8,VAAE,VAP,VC2,VDE1,VHE,VJE2,VKB2,VK2,VME2,VMT,VNG2,VN27,VTE1 VTE5,VXE,VXEB,VXE2,VXE4,VXE6,VXE7,VXE8,VXFB,VXU1
			1	-	-	-----	3007811 QKB2
			-	(1)	-		
24	93500-03012-0H	SCREW, PAN, 3X12	2	-	2	-----	LHE,LWD,LXE,LXE2,LXE4,LXE8,PXE,PXE8,QAE,QAE2,QAE6,QHE,QXE,QXEB QXE2,QXE4,QXE6,QXE7,QXE8,SHE,SHEZ,SME1,SWE,SXE,SXEB,SXE4,SXE7 SXE8,VAAE,VAP,VC2,VDE1,VDE2,VHE,VJE2,VKB2,VK2,VME2,VMT,VNG2,VN27 VTE1,VTE5,VXE,VXEB,VXE2,VXE4,VXE6,VXE7,VXE8,VXFB,VXU1
			2	-	-	-----	3007811 QKB2
			-	(2)	-		

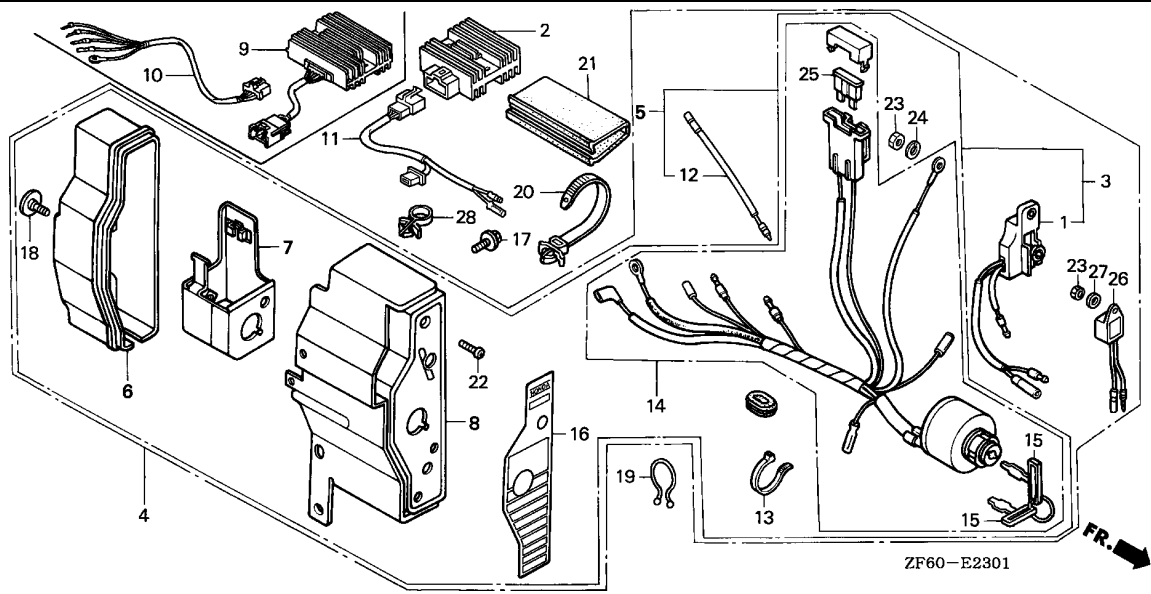
Ref. No.	Part No.	Description	Reqd. QTY			Serial No.	Parts catalogue code
			GX390K1	(1)	(2)		
25	93500-04012-0H	SCREW, PAN, 4X12	1	-	1	-----	LHE, LWD, LXE, LXE2, LXE4, LXE8, PXE, PXE8, QAE, QAE2, QAE6, QHE, QXE, QXEB, QXE2, QXE4, QXE6, QXE7, QXE8, SHE, SHEZ, SME1, SWE, SXE, SXEB, SXE4, SXE7, SXE8, VAAE, VAP, VC2, VDE1, VDE2, VHE, VJE2, VKB2, VK2, VME2, VMT, VNG2, VN27, VTE1, VTE5, VXE, VXEB, VXE2, VXE4, VXE6, VXE7, VXE8, VXFB, VXU1
			1	-	-	-----	3007811 QKB2
			-	(1)	-	-----	
26	94001-04390-0S	NUT, HEX., 4MM	1	(1)	-	-----	LHE, LWD, L1, QAE, QHE, SHE, SHEZ, SME1, SWE, S1, VAAE, VDE1, VHE
			1	(1)	-	-----	2468554 LXE, LXE2, LXE4, PXE, QAE2, QAE6, QXE, QXEB, QXE2, QXE4, QXE6, Q1, SXE, SXEB, SXE4, VDE2, VME2, VNG2, VTE1, VXE, VXEB, VXE2, VXE4, VXE6, VXFB, VXU1, V1
			2	-	-	-----	QXE7, SXE7, VXE7
			2	(2)	-	-----	2468555 LXE, LXE2, LXE4, PXE, QAE2, QAE6, QXE, QXEB, QXE2, QXE4, QXE6, Q1, SXE, SXEB, SXE4, VDE2, VME2, VNG2, VTE1, VXE, VXEB, VXE2, VXE4, VXE6, VXFB, VXU1, V1
			2	-	2	-----	LXE8, PXE8, QXE8, SXE8, VAP, VC2, VJE2, VKB2, VK2, VMT, VN27, VTE5, VXE8
			2	-	-	-----	3007811 QKB2
27	94111-04800	WASHER, SPRING, 4MM	1	-	1	-----	LHE, LWD, LXE, LXE2, LXE4, LXE8, PXE, PXE8, QAE, QAE2, QAE6, QHE, QXE, QXEB, QXE2, QXE4, QXE6, QXE7, QXE8, SHE, SHEZ, SME1, SWE, SXE, SXEB, SXE4, SXE7, SXE8, VAAE, VAP, VC2, VDE1, VDE2, VHE, VJE2, VKB2, VK2, VME2, VMT, VNG2, VN27, VTE1, VTE5, VXE, VXEB, VXE2, VXE4, VXE6, VXE7, VXE8, VXFB, VXU1
			1	-	-	-----	3007811 QKB2
			-	(1)	-	-----	
28	98200-30500	FUSE, BLADE (5A)	1	-	-	-----	LHE, LXE, LXE2, LXE4, LXE8, PXE, PXE8, QHE, QXE, QXEB, QXE2, QXE4, QXE6, QXE7, QXE8, SHE, SHEZ, SME1, SWE, SXE, SXEB, SXE4, SXE7, SXE8, VAAE, VC2, VDE1, VDE2, VHE, VJE2, VKB2, VME2, VMT, VNG2, VSD4, VTE1, VTE5, VXE, VXEB, VXE2, VXE4, VXE6, VXE7, VXE8, VXFB, VXU1
	98200-31500	FUSE, BLADE (15A)	-	(1)	-	-----	LWD, QAE, QAE2, QAE6, VAP, VK2, VN27
			1	-	-	-----	3007811 QKB2
			-	(1)	-	-----	
	98200-32500	FUSE, BLADE (25A)	-	(1)	-	-----	Q1, V1
29	34150-ZH7-003	ALERT UNIT, OIL	1	(1)	-	-----	2468555 LXE, LXE2, LXE4, PXE, QAE2, QAE6, QXE, QXEB, QXE2, QXE4, QXE6, Q1, SXE, SXEB, SXE4, S1, VDE2, VME2, VNG2, VTE1, VXE, VXEB, VXE2, VXE4, VXE6, VXFB, VXU1, V1
			1	-	1	-----	LXE8, PXE8, QXE7, QXE8, SXE7, SXE8, VAP, VC2, VJE2, VKB2, VK2, VMT, VN27, VTE5, VXE7, VXE8
			1	-	-	-----	3007811 QKB2
30	94101-04800	WASHER, PLAIN, 4MM	1	(1)	-	-----	2468555 LXE, LXE2, LXE4, PXE, QAE2, QAE6, QXE, QXEB, QXE2, QXE4, QXE6, Q1, SXE, SXEB, SXE4, S1, VDE2, VME2, VNG2, VTE1, VXE, VXEB, VXE2, VXE4, VXE6, VXFB, VXU1, V1
			1	-	1	-----	LXE8, PXE8, QXE7, QXE8, SXE7, SXE8, VAP, VC2, VJE2, VKB2, VK2, VMT, VN27, VTE5, VXE7, VXE8
			1	-	-	-----	3007811 QKB2
31	36103-ZE1-000	HOLDER, STOP SWITCH CORD	1	-	-	-----	LXE2, PAE2, QAE, QAE2, QXE2, QXE7, SXE7, VDE1, VDE2, VJE2, VKB2, VK2, VXE, VXE2, VXE7
			1	-	-	-----	3007811 QKB2



E-23-1

CONTROL BOX(2)

2-C12



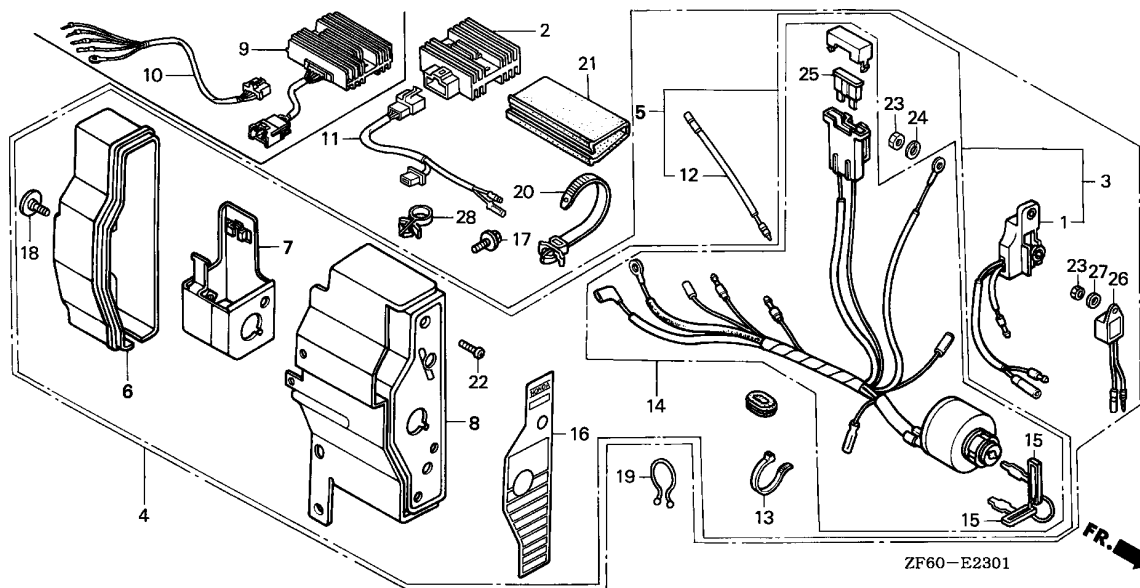
Service item	F.R.T.
BOX ASSY., CONTROL	0.1
.FUSE, BLADE	
ALERT UNIT, OIL	0.2
.HARNESS ASSY., SUB WIRE	
.RECTIFIER ASSY., REGULATOR	
.SWITCH ASSY., COMBINATION	

2

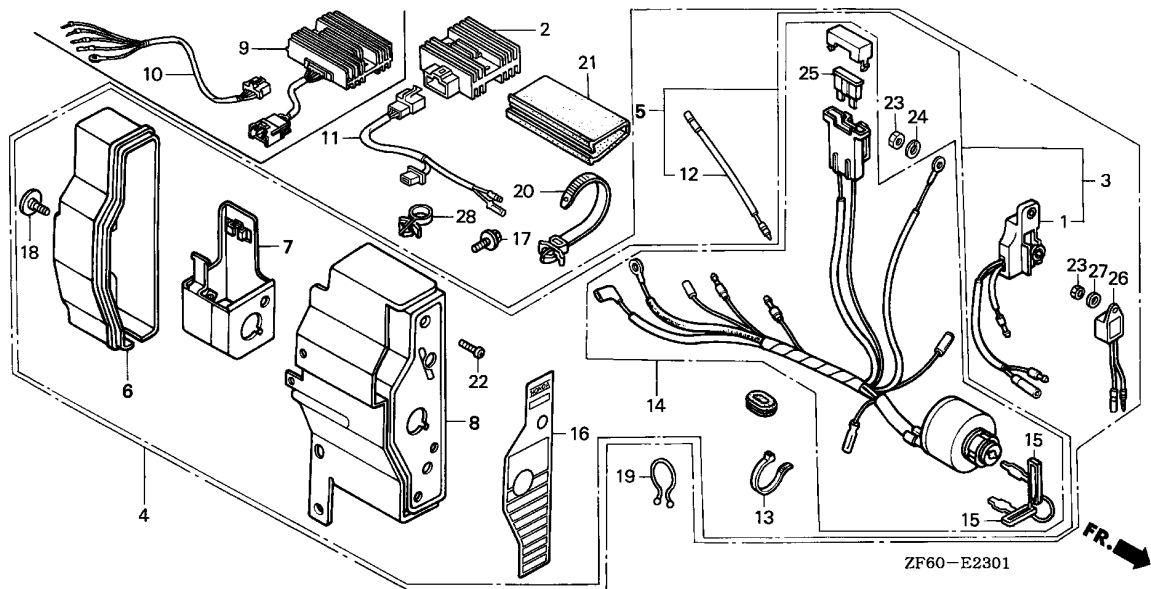
Ref. No.	Part No.	Description	Reqd. QTY			Serial No.	Parts catalogue code
			GX390K1	(1)	(2)		
1	15520-ZE2-822	ALERT UNIT, OIL (SEL)	1	-	-	2042138 QNE	
			-	(1)	-	2042138	
2	31600-ZE2-861	RECTIFIER ASSY., REGULATOR (10A)	1	-	-	HJA, HJA2, LKE, QKA4, QKE2, QMEO, QME1, QMP, QNE, QNE2, QNE6, QNE8, QNE9, QWC4, SCK4, SKA, SKAE, SMEO, SM32, STC4	
			-	(1)	-		
3	31610-ZE3-W31ZB	BOX ASSY., CONTROL (ALERT, 10A) *R8*.....BRIGHT RED	1	-	-	2042138 QNE	
			-	(1)	-	2042138	
4	31610-ZE3-W32ZA	BOX ASSY., CONTROL (10A) *NH1*.....BLACK	1	-	-	2468554 QNE9	
			-	(1)	-	2042139 2468554 S1	
	31610-ZE3-W32ZB	*R8*.....BRIGHT RED	1	-	-	2468554 QKE2, QNE2, QNE6, QNE9, SKA	
			1	-	-	2042139 2468554 QNE	
			-	(1)	-	2042139 2468554	
	31610-ZE3-W33ZA	BOX ASSY., CONTROL (ALERT, 10A) *NH1*.....BLACK	1	(1)	-	2468555 ----- QNE9, S1	
			1	-	-	----- SM32	
	31610-ZE3-W33ZB	*R8*.....BRIGHT RED	1	-	-	----- QMP, QNE8	
			1	-	-	2468555 ----- QKE2, QNE, QNE2, QNE6, QNE9, SKA	
			-	(1)	-	2468555	
5	31610-ZK6-W41ZB	BOX ASSY., CONTROL (10A) *R8*.....BRIGHT RED	1	-	-	2468554 LKE, QKA4, QMEO, QME1, SCK4, SMEO, STC4	
	31610-ZE3-W41ZB	BOX ASSY., CONTROL (18A) *R8*.....BRIGHT RED	1	-	-	2468554 QNR2, QNR6, QN18	
			-	(1)	-		
	31610-ZK6-W42ZB	BOX ASSY., CONTROL (ALERT, 10A) *R8*.....BRIGHT RED	1	-	-	----- SKAE	
			1	-	-	2468555 ----- LKE, QKA4, QMEO, QME1, SCK4, SMEO, STC4	

Ref. No.	Part No.	Description	Reqd. QTY			Serial No.	Parts catalogue code
			(1)	(2)	(3)		
(5)	31610-ZE3-W42ZA	BOX ASSY., CONTROL (ALERT,18A) *NH1*.....BLACK	1	-	-	-----	QWH2
			1	-	-	2468555	QNR2
	31610-ZE3-W42ZB	*R8*.....BRIGHT RED	1	-	-	-----	QND
			1	-	-	2468555	QNR2,QNR6,QN18
	31610-ZE3-W23ZB	BOX ASSY., CONTROL (ALERT,3A) *R8*.....BRIGHT RED	1	-	-	-----	PAE2
6	31612-ZE2-003	CASE, CONTROL	1	-	-	-----	LKE,PAE2,QKA4,QKE2,QMEO,QME1,QMP,QND,QNE,QNE2,QNE6,QNE8,QNE9,QNR2 QNR6,QN18,QWH2,SCK4,SKA,SKAE,SME0,SM32,STC4
7	31614-ZE2-003	BRACKET, CASE MOUNTING	-	(1)	-	-----	LKE,PAE2,QKA4,QKE2,QMEO,QME1,QMP,QND,QNE,QNE2,QNE6,QNE8,QNE9,QNR2 QNR6,QN18,QWH2,SCK4,SKA,SKAE,SME0,SM32,STC4
8	31615-ZE3-003ZA	PANEL COMP., CONTROL *NH1*.....BLACK	1	-	-	-----	QNE9,QNR2,QWH2,SM32
	31615-ZE3-003ZB	*R8*.....BRIGHT RED	1	-	-	-----	LKE,PAE2,QKA4,QKE2,QMEO,QME1,QMP,QND,QNE,QNE2,QNE6,QNE8,QNE9,QNR2 QNR6,QN18,SCK4,SKA,SKAE,SME0,STC4
9	31620-ZG5-003	RECTIFIER ASSY., REGULATOR (20A)	-	(1)	-	-----	QNR2,QNR6,QN18,QWH2
10	32110-ZE2-W00	HARNESS ASSY., SUB WIRE	1	-	-	-----	QNR2,QNR6,QN18,QWH2
11	32110-ZE2-860	HARNESS ASSY., SUB WIRE	1	-	-	-----	HJA,HJA2,LKE,QKA4,QKE2,QMEO,QME1,QMP,QNE,QNE2,QNE6,QNE8,QNE9,QWC4 SCK4,SKA,SKAE,SME0,SM32,STC4
12	32197-ZE1-003	SUB HARNESS	1	-	-	-----	LKE,PAE2,QKA4,QKE2,QMEO,QME1,QMP,QND,QNE,QNE2,QNE6,QNE8,QNE9,QNR2 QNR6,QN18,QWH2,SCK4,SKAE,SME0,SM32,STC4
13	32902-892-003	BAND	1	-	-	-----	LKE,PAE2,QKA4,QKE2,QMEO,QME1,QMP,QND,QNE,QNE2,QNE6,QNE8,QNE9,QNR2 QNR6,QN18,QWH2,SCK4,SKA,SKAE,SME0,SM32,STC4
14	35100-ZE2-W01	SWITCH ASSY., COMBINATION (18A-CHARGE)	1	-	-	-----	QND,QNR2,QNR6,QN18,QWH2
	35100-ZE2-842	SWITCH ASSY., COMBINATION (3A-CHARGE)	-	(1)	-	-----	PAE2
	35100-ZE2-862	SWITCH ASSY., COMBINATION (10A-CHARGE)	1	-	-	-----	LKE,QKA4,QKE2,QMEO,QME1,QMP,QNE,QNE2,QNE6,QNE8,QNE9,SCK4,SKA,SKAE SME0,SM32,STC4
15	35111-880-003	KEY COMP.	-	(1)	-	-----	LKE,PAE2,QKA4,QKE2,QMEO,QME1,QMP,QND,QNE,QNE2,QNE6,QNE8,QNE9,QNR2 QNR6,QN18,QWH2,SCK4,SKA,SKAE,SME0,SM32,STC4
			-	(2)	-	-----	
16	87529-ZE2-870	MARK, CONTROL BOX (EXTERNAL-ALERT-REGULATOR)	1	-	-	-----	2042138 QNE
			-	(1)	-	-----	2042138
	87529-ZH8-W40	MARK, CONTROL BOX (ENGLISH) -	1	-	-	-----	LKE,QKA4,QMEO,QME1,SCK4,SKAE,SME0,STC4
	87529-ZE2-860	MARK, CONTROL BOX (EXTERNAL-REGULATOR)	1	-	-	-----	QKE2,QMP,QND,QNE2,QNE6,QNE8,QNE9,QNR2,QNR6,QN18,QWH2,SKA,SM32
			1	-	-	2042139	QNE
			-	(1)	-	2042139	

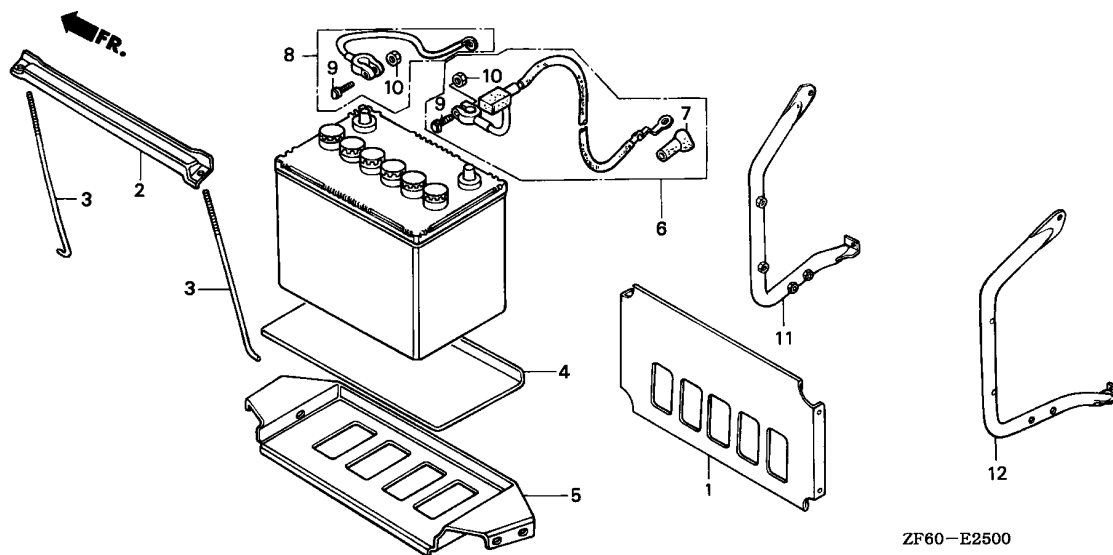




Ref. No.	Part No.	Description	Reqd. QTY			Serial No.	Parts catalogue code
			(1)	(2)	(3)		
17	90013-883-000	BOLT, FLANGE, 6X12(CT200) ...	1	-	-	-----	QNE
			2	-	-	-----	LKE,PAE2,QKA4,QKE2,QK4,QMEO,QME1,QMP,QND,QNE,QNE2,QNE6,QNE8,QNE9,QNR2,QNR6,QN18,QWH2,SCK4,SKA,SKAE,SMEO,SM32,STC4
18	90380-MA6-010	SCREW, SPECIAL, 6X12	1	(2)	-	-----	LKE,PAE2,QKA4,QKE2,QMEO,QME1,QMP,QND,QNE,QNE2,QNE6,QNE8,QNE9,QNR2,QNR6,QN18,QWH2,SCK4,SKA,SKAE,SMEO,SM32,STC4
19	90630-751-000	CLIP, PURSE LOCK	1	(1)	-	-----	LKE,PAE2,QKA4,QKE2,QMEO,QME1,QMP,QND,QNE,QNE2,QNE6,QNE8,QNE9,QNR2,QNR6,QN18,QWH2,SCK4,SKA,SKAE,SMEO,SM32,STC4
20	90672-SA0-003	STRAP, CABLE, 118MM(BLACK) ..	1	(1)	-	-----	LKE,PAE2,QKA4,QKE2,QMEO,QME1,QMP,QND,QNE,QNE2,QNE6,QNE8,QNE9,QNR2,QNR6,QN18,QWH2,SCK4,SKA,SKAE,SMEO,SM32,STC4
21	91406-ZE2-003	TUBE, FASTENER, 30MM	1	(1)	-	-----	LKE,PAE2,QKA4,QKE2,QMEO,QME1,QMP,QND,QNE,QNE2,QNE6,QNE8,QNE9,QNR2,QNR6,QN18,QWH2,SCK4,SKA,SKAE,SMEO,SM32,STC4
22	93500-04012-0H	SCREW, PAN, 4X12	1	(1)	-	-----	LKE,PAE2,QKA4,QKE2,QMEO,QME1,QMP,QND,QNE,QNE2,QNE6,QNE8,QNE9,QNR2,QNR6,QN18,QWH2,SCK4,SKA,SKAE,SMEO,SM32,STC4
23	94001-04390-0S	NUT, HEX., 4MM	1	(1)	-	-----	QKE2,SKA,V1
			1	(1)	-	2468554	LKE,L1,QKA4,QMEO,QME1,QNE,QNE2,QNE6,QNE9,QNR2,QNR6,QN18,Q1,SCK4,SMEO,STC4,S1
			2	-	-	-----	QND,QWH2
			2	(2)	-	2468555	LKE,L1,QKA4,QMEO,QME1,QNE,QNE2,QNE6,QNE9,QNR2,QNR6,QN18,Q1,SCK4,SMEO,STC4,S1
			2	-	-	-----	PAE2,QMP,QNE8,SKAE,SM32



Ref. No.	Part No.	Description	Reqd. QTY			Serial No.	Parts catalogue code
			GX390K1	(1)	(2)		
24	94111-04800	WASHER, SPRING, 4MM	1	-	-	-	LKE, PAE2, QKA4, QKE2, QME0, QME1, QMP, QND, QNE, QNE2, QNE6, QNE8, QNE9, QNR2, QNR6, QN18, QWH2, SCK4, SKA, SKAE, SME0, SM32, STC4
25	98200-31500	FUSE, BLADE (15A)	1	-	(1)	-	LKE, PAE2, QKA4, QKE2, QME0, QME1, QMP, QNE, QNE2, QNE6, QNE8, QNE9, SCK4, SKA, SKAE, SME0, SM32, STC4
	98200-32500	FUSE, BLADE (25A)	1	-	(1)	-	QND, QNR2, QNR6, QN18, QWH2
26	34150-ZH7-003	ALERT UNIT, OIL	1	(1)	-	2468555	LKE, L1, QKA4, QME0, QME1, QNE, QNE2, QNE6, QNE9, QNR2, QNR6, QN18, Q1, SCK4, SME0, STC4, S1
27	94101-04800	WASHER, PLAIN, 4MM	1	(1)	-	2468555	PAE2, QMP, QND, QNE8, QWH2, SKAE, SM32 LKE, L1, QKA4, QME0, QME1, QNE, QNE2, QNE6, QNE9, QNR2, QNR6, QN18, Q1, SCK4, SME0, STC4, S1
28	36103-ZE1-000	HOLDER, STOP SWITCH CORD	1	-	-	-	PAE2, QMP, QND, QNE8, QWH2, SKAE, SM32 PAE2, QH2, QND, QNE, QNE2, QNE9, QNR2, QN18, QWH2, SM32

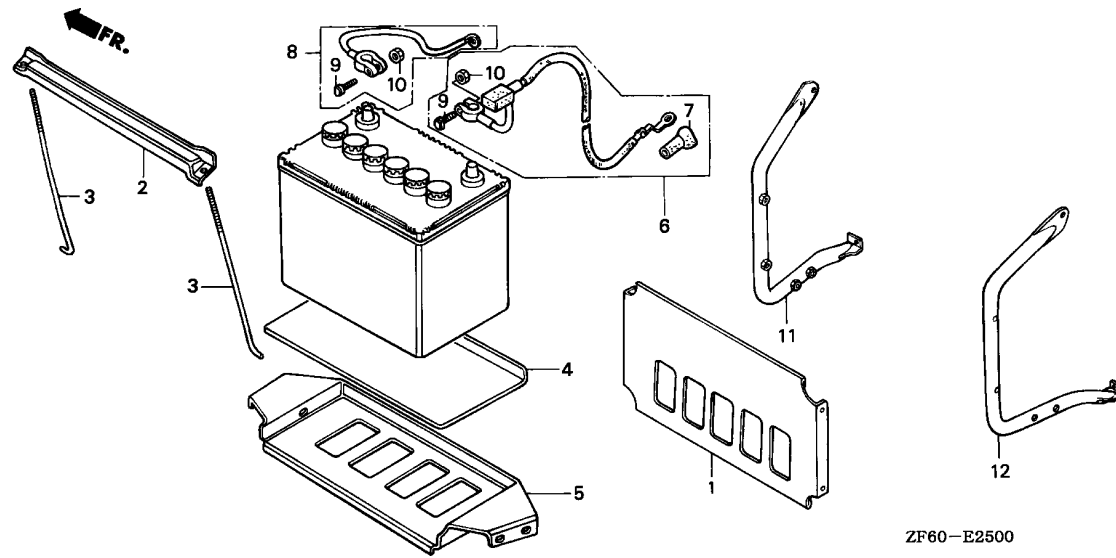


ZF60-E2500

Service item	F.R.T.
CABLE ASSY., EARTH	0.1
.CABLE ASSY., STARTING	
.PLATE, BATTERY	
.PLATE, BATTERY GUARD	
.PLATE, BATTERY SETTING	
BASE, BATTERY TRAY	0.2
.GUARD, FR. BATTERY	
.GUARD, RR. BATTERY	

2

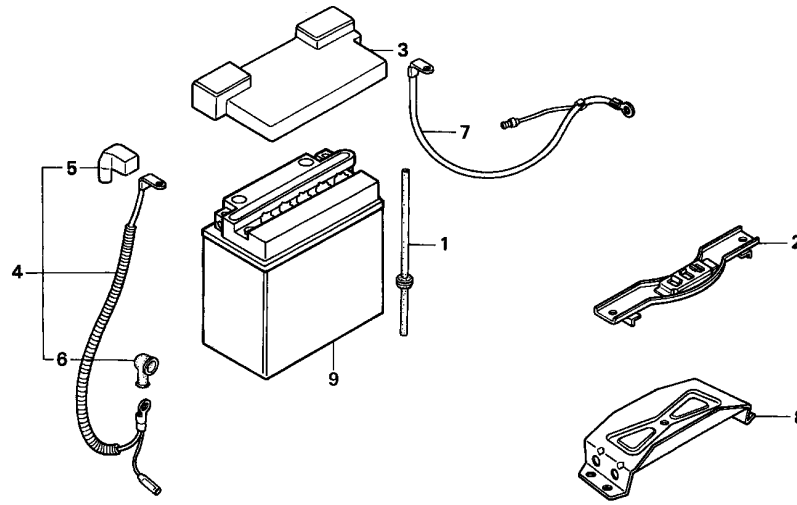
Ref. No.	Part No.	Description	Reqd. QTY			Serial No.	Parts catalogue code
			GX390K1				
			(1)	(2)	(3)		
1	31511-ZB4-000	PLATE, BATTERY GUARD	1	-	-	ES4,EWS4,EWS5,VSB3	
			1	-	-	2949254 ES5	
2	31512-880-810	PLATE, BATTERY SETTING	1	-	-	ES4,EWS4,EWS5,VSB3	
			1	-	-	2949254 ES5	
3	31513-634-000	BOLT, BATTERY SETTING, 220MM	2	-	-	ES4,EWS4,EWS5,VSB3	
			2	-	-	2949254 ES5	
4	31521-880-000	PLATE, BATTERY	1	-	-	ES4,EWS4,EWS5,VSB3	
			1	-	-	2949254 ES5	
5	31550-899-000	BASE, BATTERY TRAY	1	-	-	ES4,EWS4,EWS5,VSB3	
			1	-	-	2949254 ES5	
6	32410-ZB4-620	CABLE ASSY., STARTING	1	-	-	ES4,EWS4,EWS5,VSB3	
			1	-	-	2949254 ES5	
7	32411-253-000	COVER, STARTER MOTOR TERMINAL	1	-	-	ES4,EWS4,EWS5,VSB3	
			1	-	-	2949254 ES5	
8	32430-ZB4-620	CABLE ASSY., EARTH	1	-	-	ES4,VSB3	
			1	-	-	2949254 ES5	
	32600-ZR2-K30	1	-	-	EWS4,EWS5	
9	32601-SK7-900	BOLT, BATTERY TERMINAL	2	-	-	ES4,EWS4,EWS5,VSB3	
			2	-	-	2949254 ES5	
10	32602-SK7-900	NUT, BATTERY TERMINAL	2	-	-	ES4,EWS4,EWS5,VSB3	
			2	-	-	2949254 ES5	
11	50365-ZD1-E30ZA	GUARD, FR. BATTERY	1	-	-	ES4,EWS4,EWS5,VSB3	
		NH105...MAT BLACK (#15-#20)	1	-	-	2949254 ES5	
	50365-ZD1-E30ZB	*NH1*.....BLACK	1	-	-	EWS4,EWS5	



ZF60-E2500

Ref. No.	Part No.	Description	Reqd. QTY			Serial No.	Parts catalogue code
			(1)	(2)	(3)		
12	50375-ZD1-E30ZA	GUARD, RR. BATTERY *NH105*...MAT BLACK (#15-#20)	1	-	-	----- ES4,EWS4,EWS5,VSB3	
			1	-	-	2949254 ES5	
	50375-ZD1-E30ZB	*NH1*.....BLACK	1	-	-	----- EWS4,EWS5	

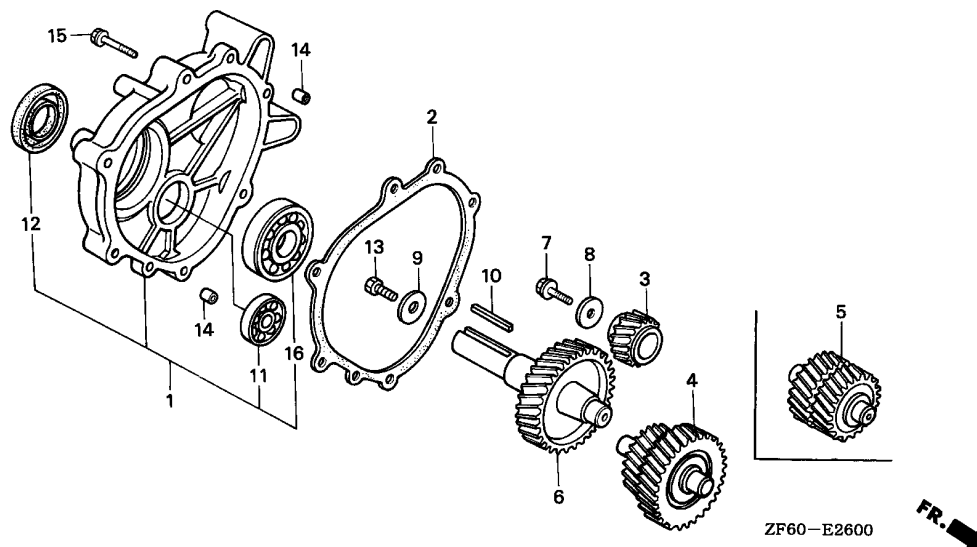




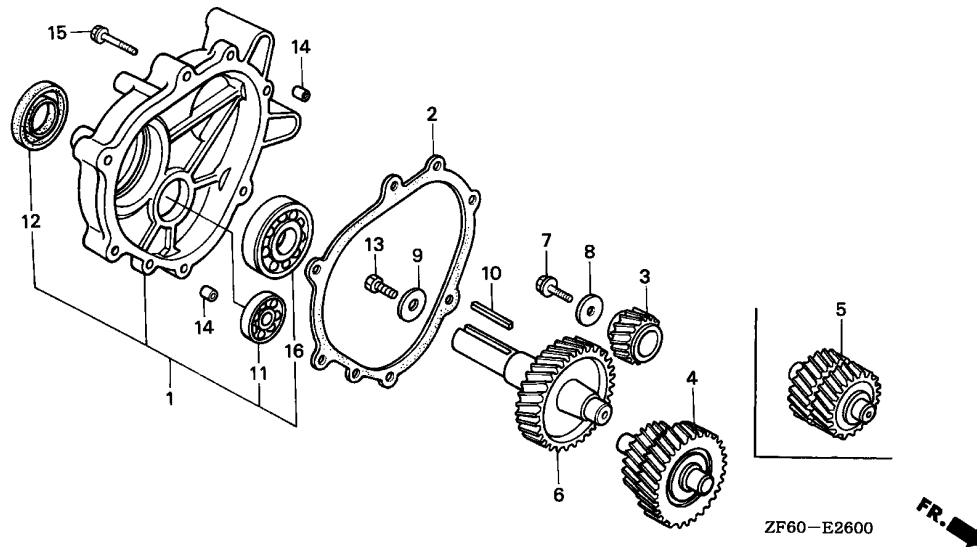
ZF60-E2501

Service item	F.R.T.
BASE, BATTERY	0.1
.BATTERY	
.CABLE ASSY., EARTH	
.CABLE ASSY., STARTING	

Ref. No.	Part No.	Description	Reqd. QTY			Serial No.	Parts catalogue code
			GX390K1				
			(1)	(2)	(3)		
1	31507-ZB7-000	TUBE, BATTERY BREATHER	1	-	-	-----	EDS5
2	31512-ZB7-000	PLATE, BATTERY SETTING	1	-	-	-----	EDS5
3	31513-ZB7-000	COVER, BATTERY	1	-	-	-----	EDS5
4	32410-ZB7-A00	CABLE ASSY., STARTING	1	-	-	-----	EDS5
5	32412-471-000	COVER, BATTERY TERMINAL	1	-	-	-----	EDS5
6	32416-460-000	COVER B, MAGNETIC SWITCH	1	-	-	-----	EDS5
7	32430-ZB7-000	CABLE ASSY., EARTH	1	-	-	-----	EDS5
8	50319-ZB7-000	BASE, BATTERY	1	-	-	-----	EDS5
9	31500-197-713	BATTERY (YB4L-B)(YUASA)	1	-	-	3105387	ES5
	31500-MN4-678	BATTERY (YTX9-BS)(YUASA)	1	-	-	3105388	ES5

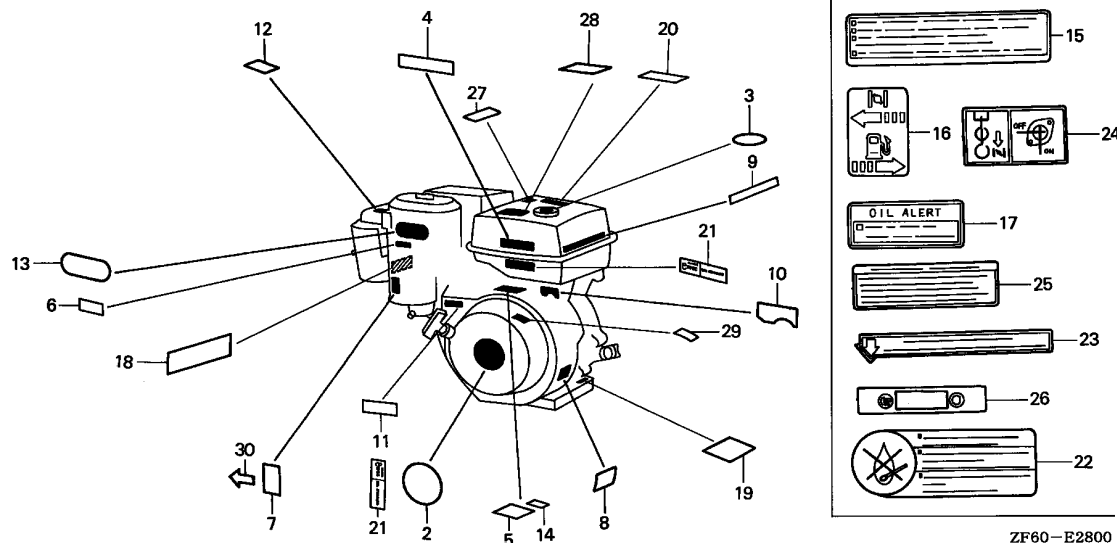


Ref. No.	Part No.	Description	Reqd. QTY			Serial No.	Parts catalogue code
			(1)	(2)	(3)		
8	90473-ZE3-010	WASHER, 8MM	1	1	-	BJ, LH, LHB1, LHB3, LHC, LHE, LHP1, LHW, LJ, LKE, LKF1, LMH, LP, LT, LTK, LTK1 LWD, LWD1, LX, LXE, LXE4, LXE8, LXQ4, LXU, LXZ, LX2, L1, ZK1	
	90473-842-000		1	-	-	HA, HAQ, HA2, HH, HJA, HJA2, HX	
9	90534-706-010	WASHER, LOCK, 8MM	1	(1)	-	LJ, LJG, LWD, L1	
10	90741-805-000	KEY, 7X7X33	1	(1)	-	BJ, LH, LHB1, LHB3, LHC, LHE, LHP1, LHW, LJ, LJG, LKE, LKF1, LMH, LP, LTK, LTK1 LWD, LX, LXE, LXE2, LXE4, LXE8, LXQ4, LXU, LXZ, LX2, L1	
	90741-889-810	KEY, 7X7X33(YELLOW)	(1)	(1)	-	BJ, LH, LHB1, LHB3, LHC, LHE, LHP1, LHW, LJ, LJG, LKE, LKF1, LMH, LP, LTK, LTK1 LWD, LWD1, LX, LXE, LXE2, LXE4, LXE8, LXQ4, LXU, LXZ, LX2, L1	
	90745-ZE2-600	KEY, 6.3X6.3X43	1	-	-	HA, HAQ, HA2, HJA, HJA2	
	90745-ZK2-800	KEY, 6.3X6.3X33	1	-	-	LT	
	90741-ZE3-L60	KEY, 7X7X40	1	-	-	ZK1	
11	91009-KJ1-003	BEARING, RADIAL BALL, 6202 (NTN)	1	1	-	BJ, LH, LHB1, LHB3, LHC, LHE, LHP1, LHW, LJ, LJG, LKE, LKF1, LMH, LP, LT, LTK LTK1, LWD, LWD1, LX, LXE, LXE4, LXE8, LXQ4, LXU, LXZ, LX2, L1, ZK1	
	91006-MT3-003	BEARING, RADIAL BALL, 6206 (NTN)	1	-	-	HA, HAQ, HA2, HH, HJA, HJA2, HX	
12	91201-890-003	OIL SEAL, 30X46X8	1	1	-	HA, HAQ, HA2, HH, HJA, HJA2, HX, LH, LHB1, LHB3, LHC, LHE, LHP1, LHW, LJ, LJG LKE, LKF1, LMH, LP, LT, LTK, LTK1, LWD, LWD1, LX, LXE, LXE2, LXE4, LXE8, LXQ4 LXU, LXZ, LX2, L1, ZK1	
13	92000-08025-0A	BOLT, HEX., 8X25	1	(1)	-	LJ, LWD, L1	
	92000-10025-0A	BOLT, HEX., 10X25	1	-	-	BJ	
	92101-08025-0A	BOLT, HEX., 8X25	1	-	-	LJG	
14	94301-08140	DOWEL PIN, 8X14	2	2	-	BJ, HA, HAQ, HA2, HH, HJA, HJA2, HX, LH, LHB1, LHB3, LHC, LHE, LHP1, LHW, LJ, LJG LKE, LKF1, LMH, LP, LT, LTK, LTK1, LWD, LWD1, LX, LXE, LXE2, LXE4, LXE8, LXQ4 LXU, LXZ, LX2, L1, ZK1	
15	95701-08040-00	BOLT, FLANGE, 8X40	6	-	-	HA, HAQ, HA2, HJA, HJA2, LHB1, LHB3, LHP1, LHW, LJG, LKE, LKF1, LMH, LP, LT, LTK LTK1, LWD1, LXE2, LXE4, LXQ4, LX2, ZK1	
	95900-08040-00		6	6	-	BJ, HH, HX, LH, LHC, LHE, LJ, LWD, LX, LXE, LXE8, LXU, LXZ, L1	



Ref. No.	Part No.	Description	Reqd. QTY			Serial No.	Parts catalogue code
			GX390K1				
			(1)	(2)	(3)		
16	96100-62060-00	BEARING, RADIAL BALL, 6206 ..	1	1	-	-----	LH,LHB1,LHB3,LHC,LHE,LHP1,LHW,LJ,LJG,LKE,LKF1,LMH,LP,LT,LTK,LTK1
	96100-62070-00	BEARING, RADIAL BALL, 6207 ..	1	-	-	-----	LWD,LWD1,LX,LXE,LXE2,LXE4,LXE8,LXQ4,LXU,LXZ,LX2,L1,ZK1
	96100-63020-00	BEARING, RADIAL BALL, 6302 ..	1	-	-	-----	BJ
							HA,HAQ,HA2,HH,HJA,HJA2,HX





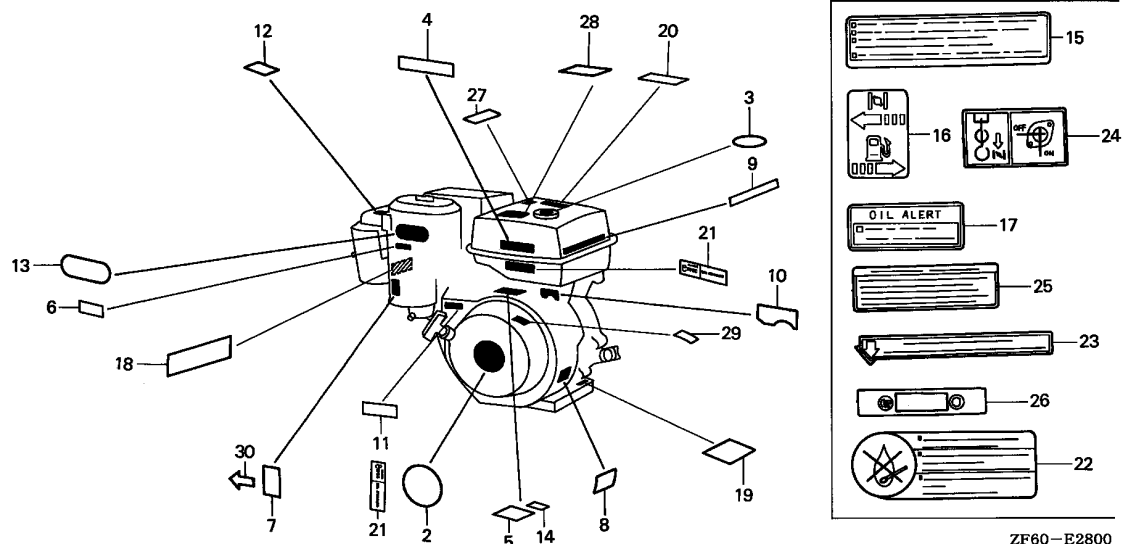
Service item F.R.T.
NOT INFORMATION

ZF60-E2800

Ref. No.	Part No.	Description	Reqd. QTY			Serial No.	Parts catalogue code
			(1)	(2)	(3)		
2	87124-ZV3-010	MARK, EMERGENCY SWITCH INDICATION	-	-	1	-----	VAP,VXP,VXQP
	87521-ZF6-W01	EMBLEM	1	(1)	1	-----	BJ,EDS3,ES1,EWS1,HAQ,HX,LHB1,LHC,LMH,LXZ,L1,PXE,QA,QAE,QAP,QAQ,QHC,QH2,QKA2,QKE2,QME1,QMP,QNE,QP,QXE2,Q1,SE,SHB1,SHEZ,SKA,SMX,SNC9,SNT2,SXP,SX2,S1,VA,VAA,VAE,VE,VH,VHE,VJE2,VJ2,VMX,VTE1,VTE2,VXFB,VXTB,YJ
			1	(1)	-	3249629	EDD2,EDS,EDS1,EDS2,EDS6,EDS7,EDT1,EDT5,EDT6,ED6,ED8,ED9,ES3,ES4,ES5,EWS3,EWS4,EWS5,HA2,HH,HJA2,LH,LHB3,LHE,LHW,LJ,LJG,LT,LX,LXE,LXE2,LXE4,LXE8,LXQ4,LXU,LX2,PAE2,PA2,PX,PXE8,PXU,QAE2,QAE6,QA2,QA26,QDW9,QE,QH,QHB3,QHE,QHP1,QKA4,QK4,QMEO,QMH,QNE2,QNE6,QNE8,QNE9,QNR2,QNR6,QT,QWA2,QWA4,QWC4,QX,QXB,QXC,QXC4,QXC6,QXC9,QXE,QXEB,QXE4,QXE6,QXE8,QXQ4,QXU,SCK4,SH,SHB3,SHE,SHQ4,SJ,SJG,SKAE,SMC1,SMD3,SME0,SME1,SM11,SM32,SN,SNC,STC4,SWA4,SWE,SWX,SX,SXB,SXE,SXEB,SXE4,SXE8,SXQ4,SXU,VAA1,VAG2,VA2,VC2,VDE2,VD2,VKB2,VMA2,VME2,VMT,VM2,VNG1,VNG2,VN17,VN27,VPE4,VPE7,VPX4,VPX7,VSB1,VSB3,VSD,VSD4,VTE5,VWA2,VWT4,VX,VXB,VXE,VXEB,VXE2,VXE4,VXE6,VXE8,VXQ4,VXT1,VXU,VXU1,VX8,V1
			1	-	-	2332134	LKF1
			-	-	1	1003448	VAP,VXP,VXQP

Ref. No.	Part No.	Description	Reqd. QTY			Serial No.	Parts catalogue code
			(1)	(2)	(3)		
(2)	87521-ZF6-W02	EMBLEM	1	(1)	-	3249630	----- EDD2,EDS,EDS1,EDS2,EDS6,EDS7,EDT1,EDT5,EDT6,ED6,ED8,ED9,ES3,ES4,ES5,EWS3,EWS4,EWS5,HA2,HH,HJA2,LH,LHB3,LHE,LHW,LJ,LJG,LT,LX,LXE,LXE2,LXE4,LXE8,LXQ4,LXU,LX2,PAE2,PA2,PX,PXE8,PXU,QAE2,QAE6,QAW,QA2,QA26,QDW9,QE,QH,QHB3,QHE,QHP1,QKA4,QKB2,QK4,QMEO,QMH,QND,QNE2,QNE6,QNE8,QNE9,QNK,QNR2,QNR6,QT,QWA2,QWA4,QWC4,QWH2,QWT2,QX,QXB,QXC,QXC4,QXC6,QXC9,QXE,QXEB,QXE4,QXE6,QXE8,QXQ4,QXU,SCK4,SH,SHB3,SHE,SHQ4,SJ,SJG,SKAE,SMC1,SMD3,SME0,SME1,SM11,SM32,SN,SNC,STC4,SWA4,SWE,SWX,SX,SBX,SXE,SXEB,SXE4,SXE8,SXQ4,SXU,VAA1,VAC2,VAG2,VA2,VCN2,VC2,VDB2,VDE2,VD2,VKB2,VK2,VMA2,VME2,VM2,VNG1,VNG2,VN17,VN27,VPE4,VPE7,VPX4,VPX7,VSB1,VSB3,VSD,VSD4,VTE5,VWA2,VWT4,VX,VXB,VXE,VXEB,VXE2,VXE4,VXE6,VXE8,VXQ4,VXT1,VXU,VXU1,VX8,V1
			1	-	-	-----	EN6,QXB7,QXE7,QXQ7,QXS4,SBX7,SXC,SXE7,VSD7,VXB7,VXE7
			-	-	1	1003449	----- VAP,VXP,VXQP
3	87522-ZE1-010	LABEL, FUEL WARNING	1	(1)	-	2066080	----- BJ,LJ,LWD,Q1,SJ,V1,YJ
	87522-ZE1-810	MARK, CAUTION	1	-	-	-----	LHB1,LHB3,LT,QHB3,SHB1,SHB3
			1	-	-	2121083	----- ED8,ES1,HAQ,HH,HX,LH,LHC,LHE,LX,LXE,LXZ,PX,QA,QAE,QAQ,QE,QH,QHC,QHE,QNE,QNE9,QP,QT,QX,QXB,QXC,QXE,QXEB,SE,SH,SHE,SHEZ,SN,SNC,SWE,SWX,SX,SBX,SXE,SXEB,SXP,VA,VE,VH,VHE,VMX,VSD,VX,VXB,VXE,VXEB,VXU1
			1	-	-	2066081	----- 2121083 BJ,LJ,LWD,SJ,YJ
			-	(1)	-	-----	2121083
4	87522-ZH9-000	LABEL, CAUTION	1	(1)	1	-----	ES1,HAQ,HX,LHB1,LHC,LMH,LXZ,PXE,QA,QAE,QAP,QAQ,QHC,QH2,QKA2,QKE2,QMP,QNE,QP,QXE2,Q1,SE,SHB1,SHEZ,SKA,SMX,SNC9,SNT2,SXP, SX2,S1,VA,VE,VH,VHE,VJE2,VJ2,VTE1
			1	-	-	2145615	----- QE,QXB,QXEB,SNC,SBX,SXEB,VMX,VSD,VXB,VXEB
	87522-ZH9-820	LABEL, CAUTION (THAI)	1	-	-	-----	LT,QT
	87520-ZH8-000	MARK A, COMBINATION	1	-	-	-----	LKF1,LTK1,SHW,SME1,SM11
			1	-	-	2209072	----- LJ,LJG,LTK,LWD,SJ,SJG
	87522-ZH8-W40	MARK, CAUTION	1	-	-	-----	LKE,LXE4,LXQ4,QKA4,QK4,QMEO,QWA4,QWC4,QXB7,QXC4,QXE4,QXE7,QXQ4,QXQ7,SCK4,SHQ4,SKAE,SMC1,SMD3,SME0,SME6,STC4,SBX7,SXE4,SXE7,SXQ4,VSD7,VXB7,VXE4,VXE7,VXFB,VXQ4,VXTB
			1	-	-	2145616	----- QE,QXB,QXEB,SNC,SBX,SXEB,VMX,VSD,VXB,VXEB
			1	-	-	2490914	----- SWA4
	87522-ZH9-010	LABEL, CAUTION	1	(1)	-	-----	ED8,ED9,HA2,HH,HJA2,LH,LHB3,LHE,LHP1,LHW,LP,LX,LXE,LXE2,LXE8,LXU,LX2,L1,PAE2,PA2,PX,PXE8,PXU,QAE2,QAE6,QAW,QA2,QA26,QDW9,QH,QHB3,QHE,QHP1,QKB2,QMH,QND,QNE2,QNE6,QNE8,QNE9,QNK,QNR2,QNR6,QWA2,QWA4,QWC4,QWH2,QWT2,QX,QXC,QXC6,QXC9,QXE,QXE6,QXE8,QXU,SH,SHB3,SHE,SM32,SN,SWA4,SWE,SWX,SX,SXC,SXE,SXE8,SXU,VA2,VD2,VKB2,VMA2,VME2,VM2,VX,VXE,VXE2,VXE6,VXE8,VXU,VXU1,VX8,V1
			-	-	1	-----	VXQP
5	87522-ZH8-W40	MARK, CAUTION	1	-	-	-----	QMP
	87522-ZH9-000	LABEL, CAUTION	1	-	-	-----	QAW,QKB2,QND,QNE8,QNK,QWH2,QWT2,SWA4,VAP,VTE5,VXP,VXT1
	87522-ZH9-010	1	-	1	-----	
6	87524-883-690	MARK, AIR CLEANER CAUTION (OIL BATH) (ARABIC)	1	-	-	-----	LT,QT,SWX
7	87528-ZE1-690	MARK, CHOKE (THAI)	1	-	-	-----	LT,QT
	87528-ZE2-000	MARK, CHOKE (INTERNAL)	1	(1)	-	2066080	----- BJ,LJ,Q1,SJ,V1,YJ



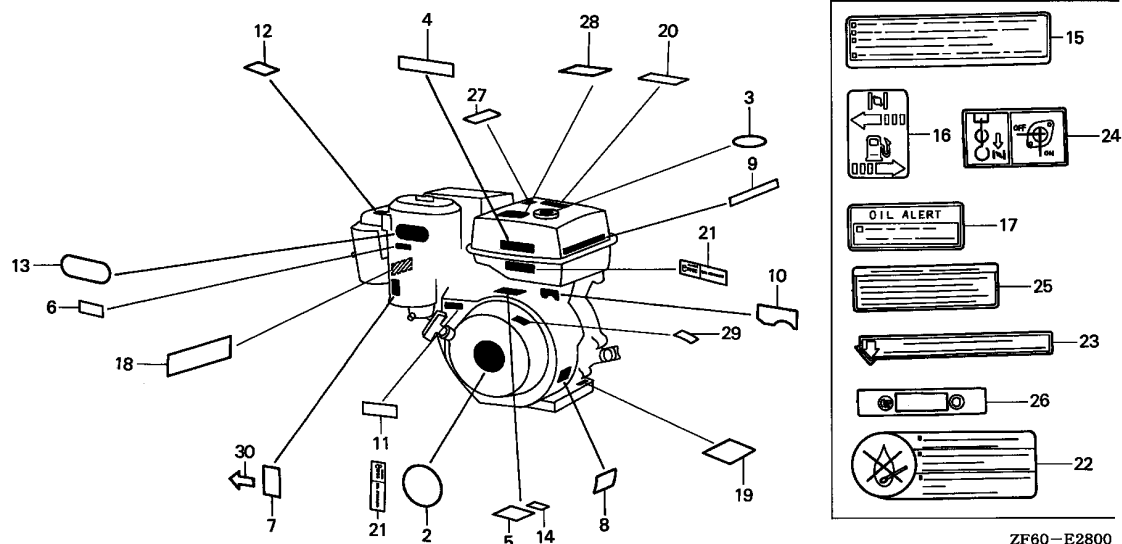


ZF60-E2800

Ref. No.	Part No.	Description	Reqd. QTY			Serial No.	Parts catalogue code	
			(1)	(2)	(3)			
(7)	87528-ZE2-810	MARK, CHOKE (ORANGE)	1	-	-	ED8,ED9,ES1,HAQ,HA2,HH,HJA2,HX,LH,LHB1,LHB3,LHC,LHE,LHP1,LHW,LJG,LMH,LTK,LTK1,LX,LXE,LXE2,LXE8,LXU,LXZ,LX2,PAE2,PA2,PX,PXE,PXE8,PXU,QA,QAE,QAE2,QAE6,QAQ,QA2,QA26,QDW9,QH,QHB3,QHC,QHE,QHP1,QH2,QKA2,QKE2,QMH,QNE,QNE2,QNE6,QNE8,QNE9,QNR2,QNR6,QP,QWA2,QWA4,QWC4,QX,QXC,QXC6,QXC9,QXE,QXE2,QXE6,QXE8,QXS4,QXU,SE,SH,SHB1,SHB3,SHE,SHZ,SJG,SKA,SMX,SM11,SM32,SN,SNC9,SNT2,SWE,SWX,SX,SXC,SXE,SXE8,SXP,SXU,SX2,VA,VAAE,VAG2,VA2,VDE2,VD2,VE,VH,VHE,VJE2,VJ2,VKB2,VMA2,VME2,VM2,VTE1,VTE5,VWA2,VX,VXE,VXE2,VXE6,VXE8,VXT1,VXU,VXU1,VX8		
			1	-	-	2066081	BJ,LJ,LWD,SJ,YJ	
			1	-	-	2332135	LKF1	
			1	-	-	2490914	SWA4	
			1	-	-	2145615	QE,QXB,QXEB,SNC,SBX,SXEB,VMX,VNG1,VNG2,VSD,VXB,VXEB	
			1	-	-	2299750	SHW,VAA	
			-	(1)	-			
	87528-883-661	MARK, CHOKE	-	-	1	VAP,VXP,VXQP		
	87528-898-620		1	-	-	EDD2,EDS,EDS1,EDS3,EDS6,EDS7,EDT1,EDT5,EDT6,ED6,EN6,ES3,ES4,ES5,EWS1,EWS3,EWS4,EWS5,VMT,VPE4,VPX4,VSB1,VSB3,VSD4,VTE2		
	87528-ZF6-W40	MARK, CHOKE (WHITE)	1	-	-	LKE,LXE4,LXQ4,QKA4,QK4,QME0,QME1,QWA4,QWC4,QXB7,QXC4,QXE4,QXE7,QXQ4,QXQ7,SCK4,SHQ4,SKAE,SMC1,SMD3,SME0,SME6,STC4,SWA4,SBX7,SXE4,SXE7,SXQ4,VN17,VN27,VSD7,VXB7,VXE4,VXE7,VXFB,VXQ4,VXTB		
	87528-777-000	MARK, CHOKE	1	-	-	2145616	QE,QXB,QXEB,SNC,SBX,SXEB,VMX,VNG1,VNG2,VSD,VXB,VXEB	
8	87530-ZF6-W00	LABEL, SPECIFICATION (INTERNAL)	1	(1)	-		SME1	
			1	(1)	-		Q1,V1,YJ	
			1	(1)	-	3432484	SHW,SJ,SJG,SME1,SM11,S1	

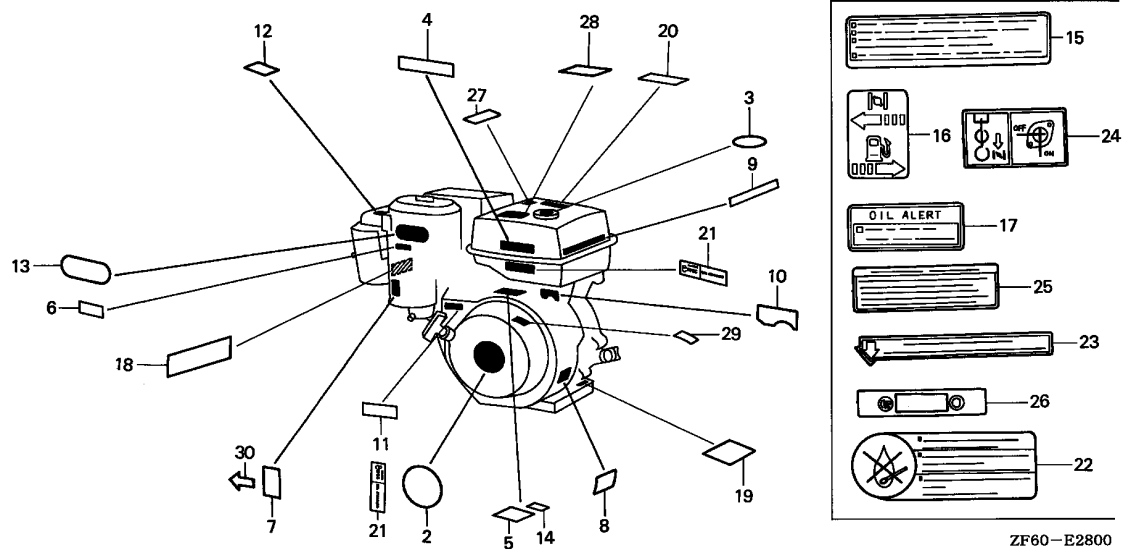
Ref. No.	Part No.	Description	Reqd. QTY			Serial No.	Parts catalogue code
			(1)	(2)	(3)		
(8)	87530-ZF6-W10	LABEL, SPECIFICATION	1	-	-	-----	EDS,ED6,ES1,ES3,ES4,HH,HX,LH,LHC,LHE,LX,LXE,LXE8,LXU,LXZ,PX,PXU QA,QAE,QE,QH,QHC,QHE,QNE,QP,QT,QX,QXB,QXC,QXE,QXEB,QXE8,QXU,SE,SH SHE,SHEZ,SN,SNC,SWE,SWX,SX,SBX,SXE,SXEB,SXE8,SXP,SXU,VA,VAA,VAAE VE,VH,VHE,VNG1,VNG2,VSD,VX,VXB,VXE,VXEB
			1	-	-	-----	2066080 HAQ,QAQ,QNE9
			1	-	-	-----	2172909 HA2,LXE2,QAE2,QA2,QH2,QNE2,QXE2,VA2,VXE2
			-	(1)	-	-----	
	87530-ZF6-W40	LABEL, SPECIFICATION (INTERNAL)	1	(1)	-	-----	3431524 LJ,LJG,LKF1,LTK,LTK1,LWD,L1
			1	-	-	-----	BJ
	87594-ZB4-A00	MARK, OIL CAUTION	1	-	-	-----	EDD2,EDS,EDS1,EDS2,EDS3,EDS5,EDS6,EDS7,EDT1,EDT5,EDT6,ED6,EN6,VC2 VTE2
	87530-ZF6-W01	LABEL, SPECIFICATION	1	(1)	-	-----	SHW,SJ,SJG,SME1,SM11,S1
	87530-ZF6-W41	1	(1)	-	-----	LJ,LJG,LKF1,LTK,LTK1,LWD,L1
9	87532-ZB4-G60	MARK, OIL ALERT (GERMAN)	1	-	-	-----	ED9,HJA2,LXE8,LXU,LX2,PXE,PXE8,PXU,QDW9,QNR2,QXC6,QXC9,QXE8,QXU SKA,SNC9,SNT2,SXE8,SXU, SX2,VAG2,VDE2,VMX,VXE8,VXU,VXU1,VX8
			1	-	-	-----	2069381 ES1,HAQ,HX,LX,LXE,LXZ,PX,QA,QAE,QAQ,QNE,QNE9,QX,QXB,QXC,QXE,QXEB SNC,SWX,SX,SBX,SXE,SXEB,SXP,VA,VAA,VAAE,VNG2,VSD,VX,VXB,VXE,VXEB
			-	(1)	-	-----	2069381
	87532-ZB4-H50	MARK, OIL ALERT (FRENCH)	1	(1)	-	-----	ES1,HAQ,HX,LX,LXE,LXZ,L1,PX,QA,QAE,QAQ,QNE,QNE9,QX,QXC,QXE,SWX,SX SXE,SXP,S1,VA,VAA,VAAE,VX,VXE
			1	-	-	-----	ED9,HJA2,LXE8,LXU,LX2,PXE,PXE8,PXU,QDW9,QNR2,QXC6,QXC9,QXE8,QXU SKA,SNC9,SNT2,SXE8,SXU, SX2,VAG2,VDE2,VXE8,VXU,VXU1,VX8
			1	-	-	-----	2145615 VMX
			1	-	-	-----	2069381 QXB,QXEB,SNC,SBX,SXEB,VNG1,VNG2,VSD,VXB,VXEB
			-	(1)	-	-----	2069381 2255971 Q1,V1
	87532-ZH8-000	MARK, OIL ALERT (INTERNAL) ..	1	-	-	-----	SHW
			-	(1)	-	-----	Q1,V1
	87532-ZH8-810	MARK, OIL ALERT (EXTERNAL) ..	1	-	1	-----	ED9,HAQ,HA2,HJA2,LKE,LXE2,LXE8,LXU,LX2,PAE2,PA2,PXE,PXE8,PXU,QAE2 QAE6,QAP,QAQ,QA2,QA26,QDW9,QKA2,QKE2,QNE2,QNE6,QNE8,QNE9,QNR2 QNR6,QWA2,QWA4,QWC4,QXC6,QXC9,QXE2,QXE6,QXE8,QXU,SKA,SMX,SM32 SNC9,SNT2,SXC,SXE8,SXU, SX2,VAA1,VA2,VDE2,VD2,VJE2,VJ2,VKB2,VMA2 VME2,VM2,VTE1,VTE5,VXE2,VXE6,VXE8,VXT1,VXU,VXU1,VX8
			1	-	-	-----	2042139 ES1,HX,LX,LXE,LXZ,PX,QA,QAE,QNE,QX,QXC,QXE,SWX,SX,SXE,SXP,VA,VAA VAAE,VX,VXE
			1	-	-	-----	2490914 SWA4
			1	-	-	-----	2145615 SNC,VMX
			1	-	-	-----	2042139 2145615 QXB,QXEB,SBX,SXEB,VNG1,VNG2,VSD,VXB,VXEB
			-	1	-	-----	2042139
	87532-ZH8-W40	MARK, THROTTLE INDICATION ...	-	-	1	-----	QAP
10	87532-ZE1-000	MARK, OIL ALERT (INTERNAL) ..	-	(1)	-	-----	2042138 Q1,V1
	87532-ZE1-810	MARK, OIL ALERT (EXTERNAL) ..	1	-	-	-----	2042138 HX,LX,LXZ,PX,QA,QX,QXB,QXC,SWX,SX,SBX,SXP,VA,VAA,VNG1,VSD,VX,VXB
			-	(1)	-	-----	2042138
11	87124-ZV3-010	MARK, EMERGENCY SWITCH INDICATION	-	-	1	-----	QAP
	87532-ZH8-W40	MARK, THROTTLE INDICATION ...	1	-	1	-----	LKE,LXE4,LXQ4,QKA4,QK4,QMEO,QWA4,QWC4,QXB7,QXC4,QXE4,QXE7,QXQ4 QXQ7,SCK4,SHQ4,SKAE,SMC1,SMD3,SMEO,SME6,STC4,SWA4,SBX7,SXE4,SXE7 SXQ4,VAP,VN17,VN27,VXB7,VXE4,VXE7,VXFB,VXP,VXQP,VXQ4,VXTB
			1	-	-	-----	2145616 QE,QXB,QXEB,SNC,SBX,SXEB,VNG1,VNG2,VXB,VXEB
			1	-	-	-----	2145616 2165942 VMX,VSD
12	87534-ZE1-841	LABEL, AIR CLEANER CAUTION ..	1	-	-	-----	LHC,LWD,QDW9,QHC,QME1,QWA4,QWC4,QXC,QXC6,QXC9,SNC,SNC9
			-	(1)	-	-----	
13	87533-ZC0-630	MARK, AIR CLEANER	1	-	-	-----	ED6,VC2,VPE7,VPX7
	87535-ZE1-840	MARK, AIR CLEANER SALES POINT	1	-	-	-----	LHC,LWD,QDW9,QHC,QWA4,QWC4,QXC,QXC6,QXC9,QXS4,SNC,SNC9
			-	(1)	-	-----	
	87565-ZE2-000	MARK, FUEL (INTERNAL)	1	(1)	-	-----	LJG,LKF1,LTK,LTK1,LWD,Q1,SHW,SJG,V1
			1	-	-	-----	LWD1





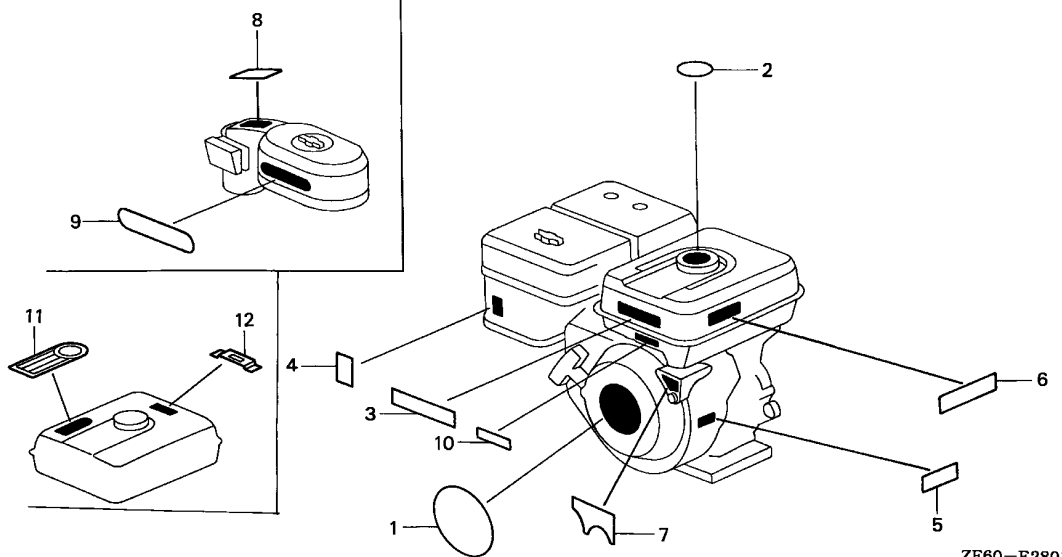
ZF60-E2800

Ref. No.	Part No.	Description	Reqd. QTY			Serial No.	Parts catalogue code
			GX390K1	(1)	(2)		
14	87586-ZH7-W00	LABEL, FUEL CAUTION	1	-	-	2247976	ED6
15	87522-ZH9-000	LABEL, CAUTION	1	-	-		QMP
	87522-ZH9-010	1	(1)	-		L1, QAW, QKB2, QK4, QND, QNK, QWH2, QWT2, SWA4
16	87528-ZE2-810	MARK, CHOKE (ORANGE)	1	-	-		QK4, QMP
17	87532-ZH8-810	MARK, OIL ALERT (EXTERNAL) ..	1	-	1		QK4, QMP, VAP, VXP
18	87533-ZC0-630	MARK, AIR CLEANER	1	-	-		EDS1, EDT1, EN6
19	87594-ZB4-A00	MARK, OIL CAUTION	1	-	-		EDS1, EDT1, VC2
20	87526-ZH8-000	MARK B, COMBINATION	1	-	-		LKF1, LTK1, SHW, SME1, SM11
			1	-	-	2209072	LJ, LJG, LTK, LWD, SJ, SJG
21	87135-ZE2-000	LABEL (E-SPEC)	1	1	-	3076234	EDS1, EDT1, LJ, LJG, LTK, LWD, LWD1, SHW, SJ, SJG, SXX, V1, ZK1
			-	-	1	1003449	VXP, VXQP
			-	-	1	1000264	SXXP
	87135-ZE2-010	LABEL (E-SPEC) (EPA STANDARD)	-	-	1		EDS7, EDT5, ES5, LHW, LXE8, PXE8, QKA4, QXE8, SCK4, SKAE, STC4, SXE8, VAP, VMT
			1	1	-	3076234	VN17, VN27, VSD4, VWT4, VX8
			1	1	-		EDS, EDS6, EDT6, ED8, ED9, ES3, ES4, EWS1, EWS3, EWS4, EWS5, HH, LH, LHB3, LHE
			1	1	-		LHP1, LKF1, LTK1, LX, LXE, LXU, L1, PX, PXU, QE, QH, QHB3, QHE, QHP1, QME1, QMP
			1	1	-		QNE8, QX, QXB, QXE, QXEB, QXU, SH, SHB1, SHB3, SHE, SME1, SM11, SNC, SWE, SWX
			1	1	-		SX, SXB, SXE, SXEB, SXU, S1, VAA, VAA1, VNG1, VNG2, VSD, VTE1, VTE5, VX, VXB
			1	1	-		VXEB, VXE8, VXF8, VXTB, VXT1, VXU, VXU1
			1	1	-		LP, LT, LXE4, LXQ4, QMEO, QMH, QXB7, QXC4, QXE4, QXE7, QXQ4, QXQ7, SHQ4, SMC1
			1	1	-		SMD3, SME0, SME6, SXB7, SXC, SXE4, SXE7, SXX1, SXQ4, VPE7, VPX7, VSB1, VSB3
			1	1	-		VSD7, VXB7, VXE4, VXE7, VXQ4
22	87522-883-660	MARK, CAUTION (ENGLISH/FRENCH/SPANISH)	1	-	-		EDD2, EDS1, EDS2, EDT1, VC2
23	87539-898-620	MARK, EX. CAUTION (ENGLISH/FRENCH)	1	-	-		EDD2, EDS1, EDS2, EDT1, ED6, VC2
24	87528-898-620	MARK, CHOKE	1	-	-		EDD2, EDS2, VC2, VPE7, VPX7



Ref. No.	Part No.	Description	Reqd. QTY			Serial No.	Parts catalogue code
			GX390K1	(1)	(2)		
25	87533-ZC0-630	MARK, AIR CLEANER	1	-	-	-----	EDD2,EDS2,VC2,VPE7,VPX7
26	87565-ZB4-A00	PLATE, FUEL INDICATION	1	-	-	-----	EDD2
27	87586-ZH7-W00	LABEL, FUEL CAUTION	1	-	-	2166102	HAQ,HA2,LXE2,QAE2,QAQ,QA2,QH2,QNE2,QNE9,QXE2,VA2,VXE2
28	87565-ZE2-810	MARK, FUEL (EXTERNAL)	1	-	-	-----	VME2,VM2
29	87106-ZE9-V00	LABEL, FUEL CAUTION	-	(1)	-	-----	QAP
30	87528-883-661	MARK, CHOKE	-	-	1	-----	QAP

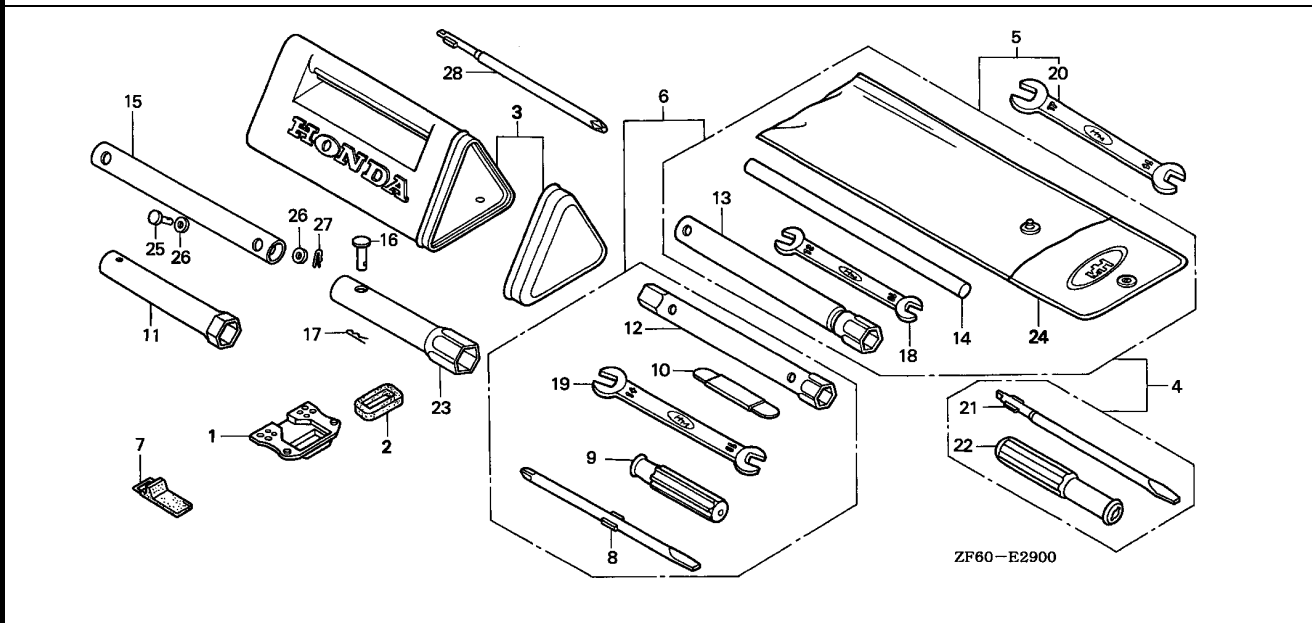




ZF60-E2801

Service item	F.R.T.
NOT INFORMATION	-

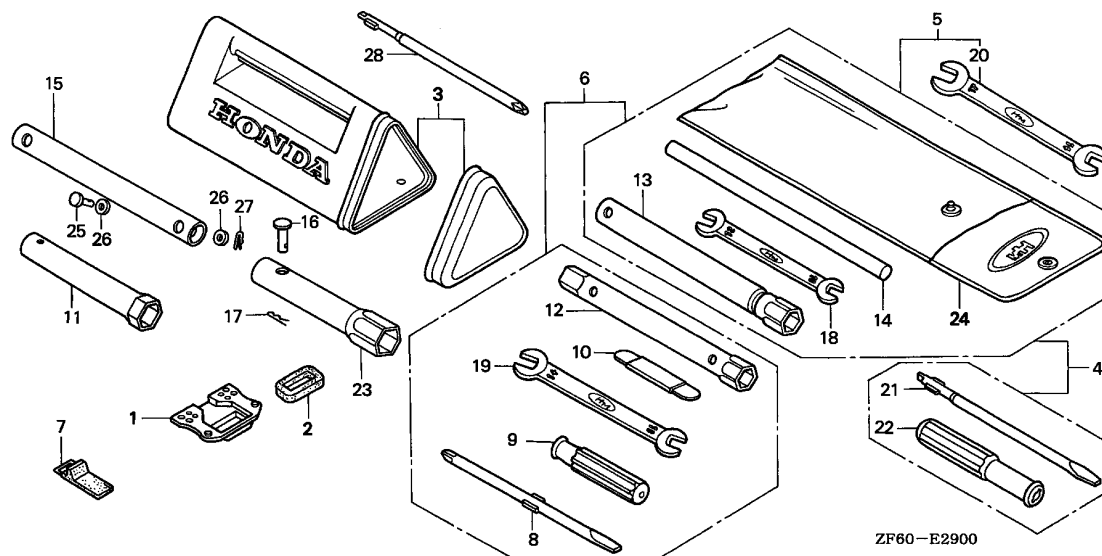
Ref. No.	Part No.	Description	Reqd. QTY			Serial No.	Parts catalogue code
			GX390K1	(1)	(2)		
1	87521-ZF6-W01	EMBLEM	1	-	-	-----	HA,HJA,QA,QAE,QAW,QKB2,QND,QNE,QNK,QN18,QWA4,QWC4,QWH2,QWT2,QXC VA,VAC2,VCN2,VDB2,VDE1,VK2,VWA,VXE
2	87522-ZE1-810	MARK, CAUTION	1	-	-	2121083	HA,HJA,QA,QAE,QNE,QXC,VA,VXE
3	87522-ZH9-000	LABEL, CAUTION	1	-	-	-----	HA,HJA,QA,QAE,QNE,QN18,QXC,VA,VXE
	87522-ZH9-010	1	-	-	-----	QAW,QND,QNK,QWH2,QWT2
4	87528-ZE2-810	MARK, CHOKE (ORANGE)	1	-	-	-----	HA,HJA,QA,QAE,QAW,QKB2,QND,QNE,QNK,QN18,QWH2,QWT2,QXC,VA,VAC2 VCN2,VDB2,VDE1,VK2,VWA,VXE
5	87530-ZF6-W10	LABEL, SPECIFICATION	1	-	-	-----	VWA
	87532-ZH8-810	MARK, OIL ALERT (EXTERNAL) ..	1	-	-	2066080	HA,HJA,QA,QAE,QNE,QXC,VA,VXE VCN2
6	87532-ZB4-G60	MARK, OIL ALERT (GERMAN)	1	-	-	-----	QN18,VDE1
	87532-ZB4-H50	MARK, OIL ALERT (FRENCH)	1	-	-	2069381	HA,HJA,QA,QAE,QNE,QXC,VA,VXE QN18,VDE1
	87532-ZH8-810	MARK, OIL ALERT (EXTERNAL) ..	1	-	-	2069381	HA,HJA,QA,QAE,QNE,QXC,VA,VXE
7	87532-ZE1-810	MARK, OIL ALERT (EXTERNAL) ..	1	-	-	2042139	HJA,QAW,QND,QN18,QWH2,QWT2,VDE1
8	87534-ZE1-841	LABEL, AIR CLEANER CAUTION ..	1	-	-	-----	HA,QA,QAE,QNE,QXC,VA,VXE
9	87535-ZE1-840	MARK, AIR CLEANER SALES POINT	1	-	-	-----	HA,QA,QXC,VA
10	87135-ZE2-000	LABEL (E-SPEC)	1	-	-	3076234	QWH2,QWT2,QXC QWA4,QWC4,QWH2,QWT2,QXC
11	87522-883-660	MARK, CAUTION (ENGLISH/FRENCH/SPANISH)	1	-	-	-----	QXC,VXE
12	87565-ZB4-A00	PLATE, FUEL INDICATION	1	-	-	-----	ED6
	87565-ZE2-810	MARK, FUEL (EXTERNAL)	1	-	-	-----	EDD2,EDS,EDS5,ED6,VMT,VTE2
	87565-ZE2-A01	MARK, FUEL (INTERNAL)	1	-	-	2147382	SKA VMX
			1	-	-	2147383	SKAE,STC4 VMX



Service item	F.R.T.
NOT INFORMATION

Ref. No.	Part No.	Description	Reqd. QTY			Serial No.	Parts catalogue code
			(1)	(2)	(3)		
1	68310-ZB7-000	GUIDE, UNDER AIR	1	-	-	EDS5	
2	68312-ZB7-000	SEAL, UNDER AIR GUIDE	1	-	-	EDS5	
3	83501-ZF1-000	BOX, TOOL	1	-	-	LHB3,LT,QHB3,QT,SHB3,SWX,VSB1,VSB3	
4	89000-ZB6-000	TOOL KIT	1	-	-	EDS5	
5	89000-ZE1-000	TOOL KIT	1	-	-	LHP1,LHW,LMH,LTK,LTK1,QHP1,QMH,QP	
	89000-ZH7-T00		-	(1)	-	SN	
6	89001-ZF1-000	BAG SET, TOOL	1	-	-	LHB3,LT,QHB3,QT,SHB3,SWX,VSB1,VSB3	
7	89011-192-700	BAND, TOOL SETTING	1	-	-	EDS5	
8	89102-538-000	SHAFT, SCREW DRIVER	1	-	-	LHB3,LT,QHB3,QT,SHB3,SWX,VSB1,VSB3	
9	89103-538-000	GRIP	1	-	-	LHB3,LT,QHB3,QT,SHB3,SWX,VSB1,VSB3	
10	89210-ZF1-000	GAUGE ASSY., THICKNESS	1	-	-	LHB3,LT,QHB3,QT,SHB3,SWX,VSB1,VSB3	
11	89216-ZB4-000	WRENCH, PLUG	1	-	-	EDD2,EDS,EDS1,EDS3,EDS6,EDS7,EDT1,EDT5,EDT6,ED6,EN6,ES3,ES4,ES5 EWS1,EWS3,EWS4,EWS5,VC2,VMT,VTE2	
12	89216-ZF1-000	WRENCH, BOX	1	-	-	LHB3,LT,QHB3,QT,SHB3,SWX,VSB1,VSB3	
13	89218-ZE1-000	WRENCH COMP., SPARK PLUG	1	-	1	BJ,ED8,ED9,ES1,HA,HAQ,HA2,HJA,LHB3,LHP1,LHW,LJ,LJG,LKF1,LMH,LT LTK,LTK1,LWD,PAE2,PA2,QA,QAE,QAE2,QAE6,QAP,QAQ,QAW,QA2,QA26,QHB3 QHP1,QKB2,QMH,QNE,QNE2,QNE6,QNE9,QNK,QP,QT,QWA2,SHB3,SHW,SJ,SJG SKA,SMC1,SMD3,SME1,SM11,SM32,SN,SNC9,SNT2,STC4,SWX,SXK,SXKP,SXK1 VA,VA2,VD2,VMA2,VM2,VN17,VSB1,VSB3,YJ	
			1	-	-	2259390	VNG1
			1	-	-	2074020	QE,SE,SNC,VNG2
			1	-	-	2502063	VME2
			(1)	-	-		HJA2,LP,QND,QNE8,QNR2,QNR6,QN18,VN27
			-	(1)	-		
	89216-ZB4-000	WRENCH, PLUG	1	-	-	EDS2,EN6	





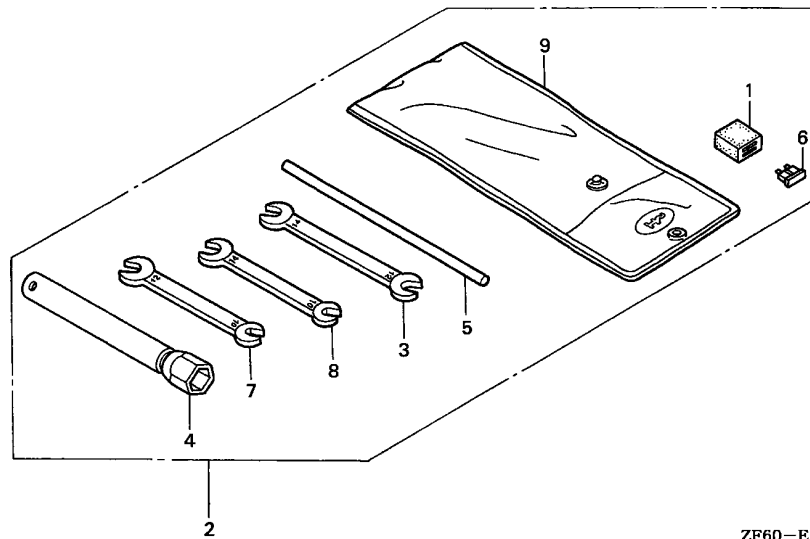
ZF60-E2900

Ref. No.	Part No.	Description	Reqd. QTY			Serial No.	Parts catalogue code
			GX390K1	(1)	(2)		
14	89219-805-000	HANDLE, BOX WRENCH	1	-	-	-----	LHB3,LHP1,LHW,LMH,LT,LTK,LTK1,LWD,QHB3,QHP1,QMH,QP,QT,SHB3,SME1 SM11,SM32,SN,SWX,VSB1,VSB3
	99005-01000	BAR A, HANDLE	1	(1)	-	-----	EDS5
15	89220-ZE2-000	PIPE, BOX WRENCH EXTENSION ..	-	(1)	-	-----	
	89220-ZE3-L60	1	-	-	-----	LTK1,ZK1
16	90755-758-L00	PIN, ROLLER ARM, 8X22	-	(1)	-	-----	
17	94252-08000	PIN, LOCK, 8MM	-	(1)	-	-----	
18	99001-10120	SPANNER, 10X12	1	-	-	-----	LHB3,LHP1,LHW,LMH,LT,LTK,LTK1,LWD,QHB3,QHP1,QMH,QP,QT,SHB3,SWX VSB1,VSB3
			-	(1)	-	-----	
19	99001-10140	SPANNER, 10X14	1	-	-	-----	LHB3,LT,QHB3,QT,SHB3,SWX,VSB1,VSB3
20	99001-14170	SPANNER, 14X17	1	-	-	-----	LHP1,LHW,LMH,LTK,LTK1,LWD,QHP1,QMH,QP
			-	(1)	-	-----	
21	99003-30000	DRIVER MINUS SCREW 3,(NO.2) ..	1	-	-	-----	EDS5
22	99003-50000	GRIP, SCREW DRIVER	1	-	-	-----	EDS5
23	99004-21003	WRENCH, BOX (P21)	1	-	-	-----	LTK1,ZK1
			-	(1)	-	-----	
24	99008-02000	BAG, TOOL, 200MM	1	-	-	-----	EDS5
	99008-02300	BAG, TOOL, 230MM	1	-	-	-----	LHB3,LHP1,LHW,LMH,LT,LTK,LTK1,LWD,QHB3,QHP1,QMH,QP,QT,SHB3,SN,SWX VSB1,VSB3
			-	(1)	-	-----	
25	90752-752-000	PIN, FLAT, 6X27.5	1	-	-	-----	LTK1,ZK1
26	94101-06000	WASHER, PLAIN, 6MM	2	-	-	-----	LTK1,ZK1
27	94251-06000	PIN, LOCK, 6MM	1	-	-	-----	LTK1,ZK1
28	99003-20000	DRIVER PLUS SCREW 2,(NO.3) ..	1	-	-	-----	LTK1,ZK1

E-29-1

TOOLS(2)

2-D15

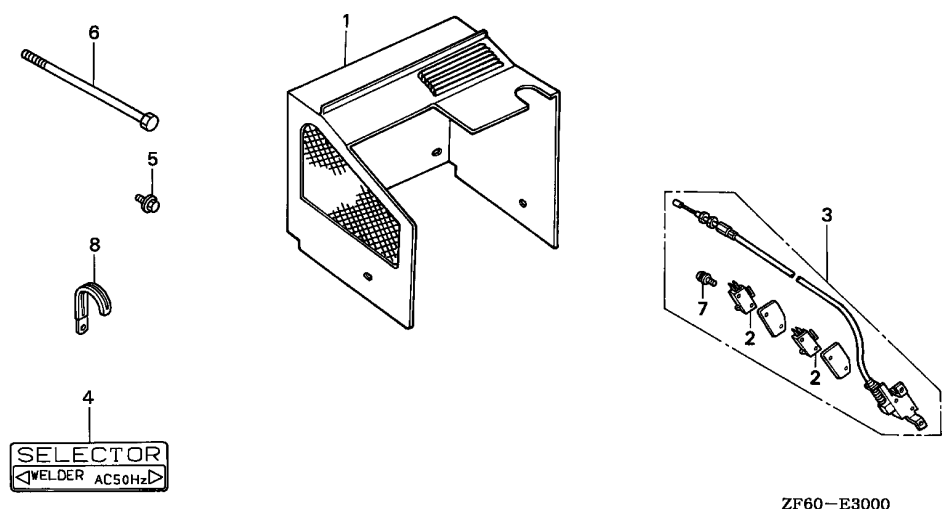


ZF60-E2901

Service item F.R.T.
NOT INFORMATION

Ref. No.	Part No.	Description	Reqd. QTY			Serial No.	Parts catalogue code
			GX390K1	(1)	(2)		
1	38306-KK4-000	SUSPENSION, WINKER RELAY (MITSUBA)	1	-	-	-----	LWD1
2	89000-766-800	TOOL SET	1	-	-	-----	LWD1
3	89216-KB7-000	SPANNER, 12X14	1	-	-	-----	LWD1
4	89218-ZE1-000	WRENCH COMP., SPARK PLUG	1	-	-	-----	LWD1
5	89219-805-000	HANDLE, BOX WRENCH	1	-	-	-----	LWD1
6	98200-32000	FUSE, BLADE (20A)	2	-	-	-----	LWD1
7	99001-10120	SPANNER, 10X12	1	-	-	-----	LWD1
8	99001-10140	SPANNER, 10X14	1	-	-	-----	LWD1
9	99008-02300	BAG, TOOL, 230MM	1	-	-	-----	LWD1

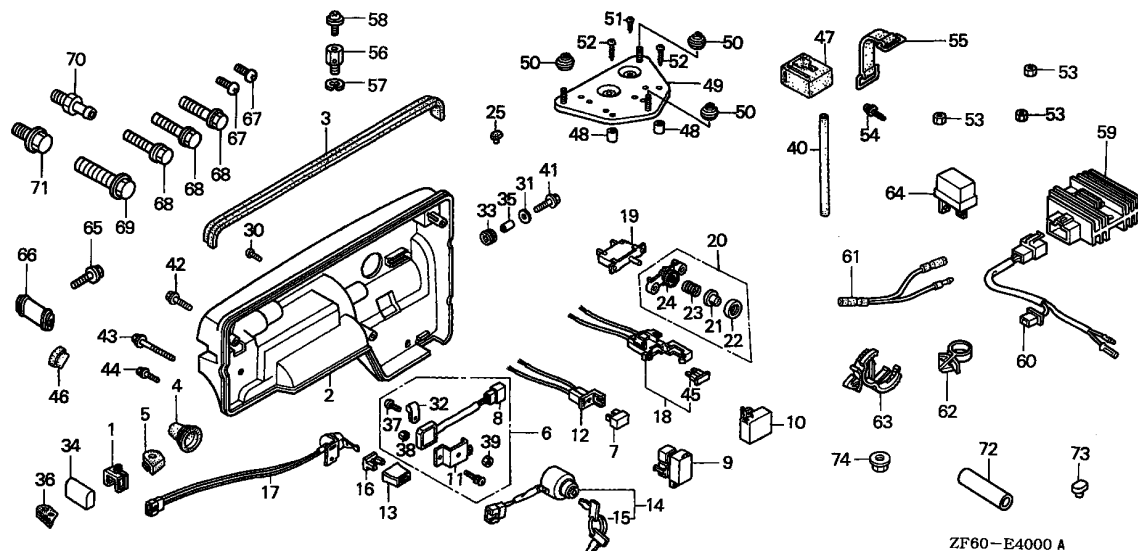
2



Service item	F.R.T.
COVER, REACTOR	0.2
.SWITCH ASSY., FREQUENCY CHANGE	



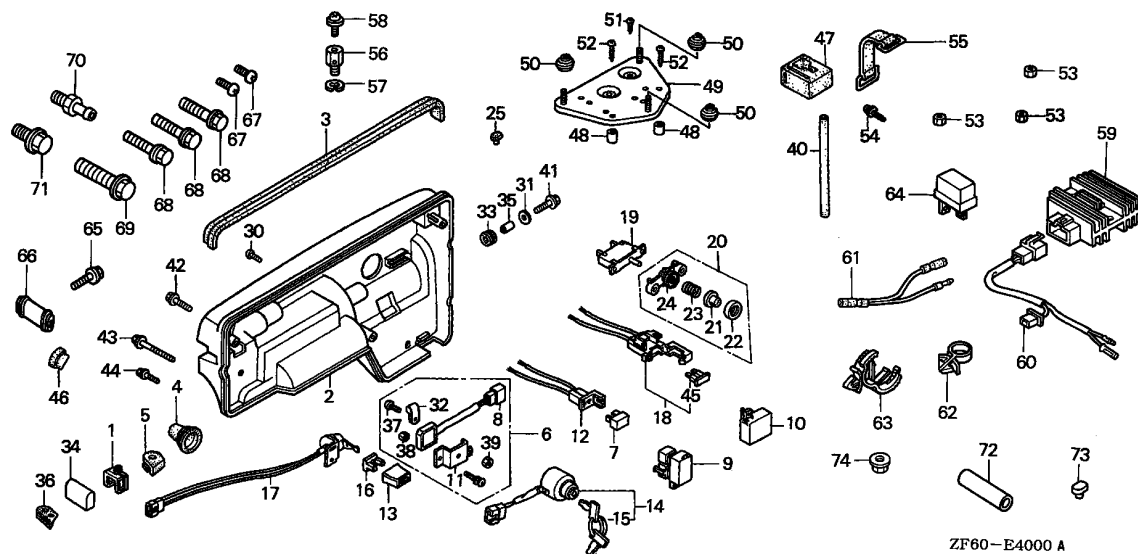
Ref. No.	Part No.	Description	Reqd. QTY			Serial No.	Parts catalogue code
			GX390K1				
			(1)	(2)	(3)		
1	31195-ZC2-800	COVER, REACTOR	1	-	-	-----	EWS1,EWS3,EWS4,EWS5
2	36116-ZA8-003	SWITCH, MICRO	2	-	-	-----	EWS4
3	36215-ZC2-851	SWITCH ASSY., FREQUENCY CHANGE	2	-	-	2116746	EWS1
			1	-	-	-----	EWS4
			1	-	-	2116746	EWS1
4	87543-ZC2-850	MARK, SELECTOR INDICATION (ENGLISH)	1	-	-	-----	EWS1,EWS4
5	90019-883-000	BOLT, FLANGE, 5X10	1	-	-	-----	EWS1,EWS3
6	90021-ZC2-800	BOLT, HEX., 10X283	1	-	-	-----	EWS1,EWS3,EWS4,EWS5
7	90085-ZA8-003	SCREW-WASHER, 3X25	2	-	-	-----	EWS4
			2	-	-	2116746	EWS1
8	91406-671-000	CLIP, WIRE HARNESS	1	-	-	-----	EWS1,EWS3,EWS4,EWS5



Service item F.R.T.
NOT INFORMATION

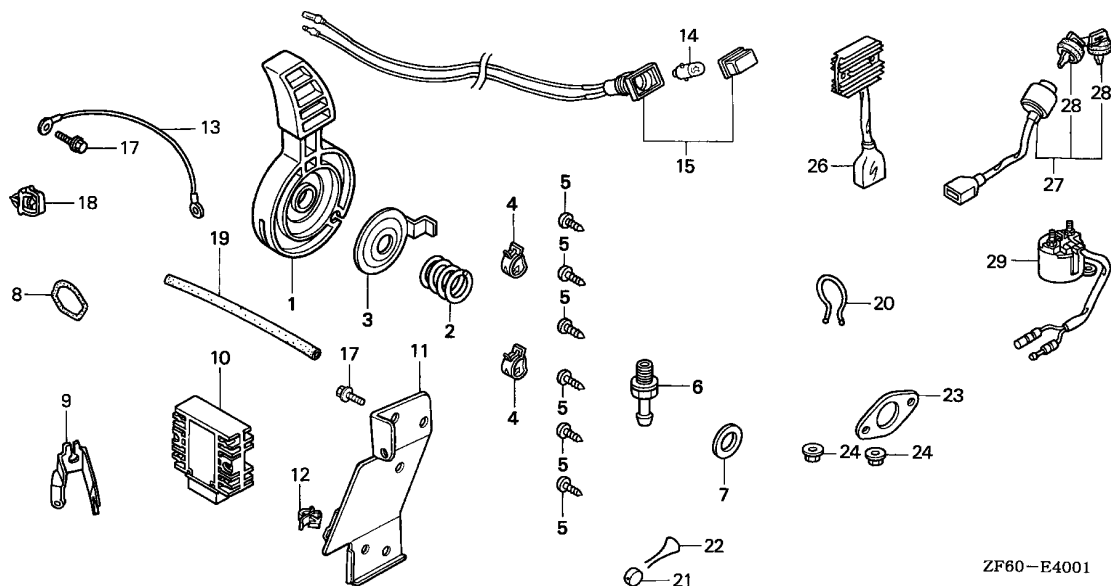
Ref. No.	Part No.	Description	Reqd. QTY			Serial No.	Parts catalogue code
			(1)	(2)	(3)		
1	30561-ZB4-000	CLIP, WIRE	1	-	-	-----	EDD2,EDS,EDS1,EDS2,EDS3,EDS6,EDS7,EDT1,EDT5,EDT6,ED6,VTE2
2	31425-ZB4-010ZA	CASE, CONTROL *R8*.....BRIGHT RED	1	-	-	-----	EDS,ED6
3	31462-ZB4-000	RUBBER, CONTROL	1	-	-	-----	EDS,ED6
4	31482-ZB4-003	GROMMET, MAIN CORD	1	-	-	-----	EDS,ED6
5	31483-ZB4-003	GROMMET, SWITCH CORD	1	-	-	-----	EDS,ED6
6	31700-ZA8-641	DIODE ASSY., D.C.	1	-	-	2143012	2282696 VAA
7	31700-124-008	RECTIFIER ASSY., SILICON (SHINDENGEN)	1	-	-	-----	EDD2,EDS,EDS1,EDS2,EDS6,EDS7,LKF1,LTK,LTK1,VSD4
8	31710-ZA8-641	DIODE COMP., D.C.	1	-	-	2643256	VPE4
9	31710-ZB4-003	DIODE ASSY.	1	-	-	2143012	2282696 VAA
10	31710-ZB7-A01	DIODE ASSY.	1	-	-	-----	EDS3
11	31711-ZA8-641	PLATE, HEAT SINK	1	-	-	2143012	2282696 VAA
12	32130-ZE1-000	COUPLER COMP.	1	-	-	-----	EDD2,EDS,EDS1,EDS2,EDS6,EDS7,LKF1,LTK1
13	32343-892-003	KNOB, COCK LEVER	1	-	-	-----	EDT1,EDT5,EDT6,ED6,EWS4
14	35100-ZA0-013	SWITCH ASSY., COMBINATION ...	1	-	-	2143012	2282696 VAA
	35100-ZB4-013	1	-	-	-----	EDS5
			1	-	-	-----	EDD2,EDS,EDS1,EDS2,EDS3,EDS6,EDS7,ES4,EWS4,EWS5,VS3
			1	-	-	2949254	ES5
15	35111-880-003	KEY COMP.	2	-	-	-----	EDD2,EDS,EDS1,EDS2,EDS3,EDS5,EDS6,EDS7,ES4,EWS4,EWS5,VS3
			2	-	-	2949254	ES5
16	36106-892-003	BUSH, CONTROL KNOB	1	-	-	-----	EDT1,EDT5,EDT6,ED6
			1	-	-	2143012	2282696 VAA
17	36110-ZB4-701	SWITCH ASSY., ENGINE KILL ...	1	-	-	-----	EDT1,EDT6,ED6
			1	-	-	2143012	2282696 VAA





Ref. No.	Part No.	Description	Reqd. QTY			Serial No.	Parts catalogue code
			(1)	(2)	(3)		
18	38220-ZE1-000	CASE COMP., FUSE	1	-	-	EDS,EDS1,EDS2,EDS6,EDS7	
	38220-ZE2-R70	1	-	-	EDD2,EDS3	
19	38240-VA3-900	PROTECTOR, CIRCUIT (1.0A)	1	-	-	EDS,EDS1,EDS2,EDS3,EDS5,EDS6,EDS7	
	38240-ZE2-840	PROTECTOR, CIRCUIT (3.5A)	1	-	-	EDD2	
20	38250-898-000	LENS ASSY., PROTECTOR	1	-	-	EDD2,EDS,EDS1,EDS2,EDS3,EDS5,EDS6,EDS7	
21	38251-898-000	LENS	1	-	-	EDD2,EDS,EDS1,EDS2,EDS3,EDS5,EDS6,EDS7	
22	38252-898-000	CAP, LENS	1	-	-	EDD2,EDS,EDS1,EDS2,EDS3,EDS5,EDS6,EDS7	
23	38253-898-000	SPRING, COIL	1	-	-	EDD2,EDS,EDS1,EDS2,EDS3,EDS5,EDS6,EDS7,VC2,VN27	
24	38254-898-000	HOLDER, LENS	1	-	-	EDD2,EDS,EDS1,EDS2,EDS3,EDS5,EDS6,EDS7	
25	76122-952-000	STOPPER, DISCHARGE GUARD	2	-	-	EDS	
			2	-	2283686	ED6	
30	90101-692-000	SCREW, GLOVE BOX	1	-	-	EDS,EDS1,EDS2,EDS3,EDS6,EDS7,EDT1,EDT5,EDT6,ED6	
31	90506-500-000	WASHER, AIR DUCT	3	-	-	EDS,ED6	
32	90627-ZA8-E50	CLIP (7.5MM)	1	-	2143012	2282696 VAA	
33	90852-898-000	RUBBER, CONTROL BOX	3	-	-	EDS,ED6	
34	91406-ZB4-000	TUBE, CORD	1	-	-	EDD2,EDS,ED6,VTE2	
35	91552-898-000	COLLAR, CONTROL BOX	3	-	-	EDS,ED6	
36	91601-ZB4-003	GROMMET, TUBE	1	-	-	EDS,ED6	
37	93500-05008-0A	SCREW, PAN, 5X8	1	-	2143012	2282696 VAA	
38	94001-03000-0S	NUT, HEX., 3MM	1	-	2143012	2287696 VAA	
39	94001-05000-0S	NUT, HEX., 5MM	1	-	2143012	2287696 VAA	
40	95001-45260-40	TUBE, FUEL, 4.5X260	1	-	-	(95001-45001-60M) 2284331 ED6	
	95001-45190-40	TUBE, FUEL, 4.5X190	1	-	2284332	(95001-45001-60M) ED6	

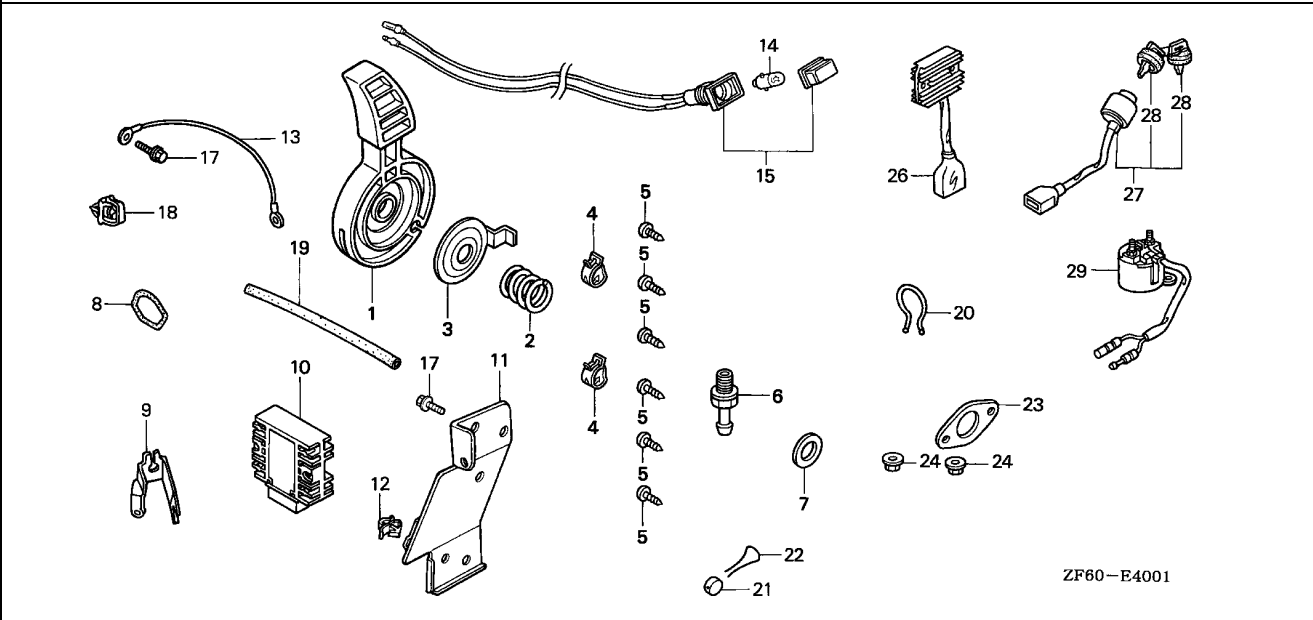
Ref. No.	Part No.	Description	Reqd. QTY			Serial No.	Parts catalogue code
			GX390K1 (1)	(2)	(3)		
41	95701-06020-00	BOLT, FLANGE, 6X20	3	-	-	-----	EDD2,EDS,ED6,VTE2
42	95701-06040-08	BOLT, FLANGE, 6X40	3	-	-	-----	EDS,ED6
43	95701-08070-00	BOLT, FLANGE, 8X70	1	-	-	-----	EDD2,ED6,VTE2
44	95801-08020-18	BOLT, FLANGE, 8X20	1	-	-	-----	EDD2,ED6,VTE2
45	98200-30500	FUSE, BLADE (5A)	1	-	-	-----	EDS,EDS1,EDS2,EDS6,EDS7
	98200-31000	FUSE, BLADE (10A)	1	-	-	-----	EDD2,EDS3
46	90855-ZB4-000	GROMMET, CRANKCASE	1	-	-	-----	VMT
47	32127-738-700	SUSPENSION, COUPLER	1	-	-	-----	LKF1,LTK,LTK1,VPE7
			1	-	-	2643256	VPE4
48	17233-896-701	COLLAR, AIR CLEANER CASE	2	-	-	2897651	SKAE
49	18436-ZH8-W40	BASE COMP., MUFFLER COVER ...	1	-	-	2897651	SKAE
50	18466-ZH8-W40	SPACER, MUFFLER COVER	3	-	-	2897651	SKAE
51	90050-ZE1-000	SCREW, TAPPING, 5X8	1	-	-	2897651	SKAE
52	90050-ZH8-W40	SCREW, TAPPING, 5X25	2	-	-	2897651	SKAE
53	90302-KF9-900	NUT, HEX., 5MM	3	-	-	2897651	SKAE
54	93891-05012-00	SCREW-WASHER, 5X12	1	-	-	2897651	SKAE
55	95012-17001	BAND F, BATTERY	1	-	-	2949255	ES5
56	16594-883-010	HOLDER, WIRE	1	-	-	-----	LTK1
57	90605-230-000	CIRCLIP, 5MM	1	-	-	-----	LTK1
58	93500-04006-OH	SCREW, PAN, 4X6	1	-	-	-----	LTK1
59	31600-ZE2-861	RECTIFIER ASSY., REGULATOR (10A)	1	-	-	-----	QNK,QWC4
60	32110-ZE2-860	HARNESS ASSY., SUB WIRE	1	-	-	-----	QNK,QWC4
61	32197-ZH8-003	SUB HARNESS	1	-	-	-----	QNK
62	36103-ZE1-000	HOLDER, STOP SWITCH CORD	1	-	-	-----	QNK
63	90684-ZA0-601	CLIP, HARNESS	1	-	-	-----	QNK,QWT2
64	31700-124-008	RECTIFIER ASSY., SILICON (SHINDENGEN)	1	-	-	-----	VPE7
			1	-	-	3007812	QKB2
65	90013-883-000	BOLT, FLANGE, 6X12(CT200) ...	1	-	-	-----	EDD2,ED6,EN6
66	91406-ZB4-000	TUBE, CORD	1	-	-	-----	EDD2
67	93500-03012-OH	SCREW, PAN, 3X12	2	-	-	-----	EDD2
68	95701-06020-00	BOLT, FLANGE, 6X20	3	-	-	-----	EDD2,ED6,EN6
69	95801-08020-18	BOLT, FLANGE, 8X20	1	-	-	-----	EDD2,ED6
70	90131-ZE3-790	PLUG, OIL DRAIN	2	-	-	-----	SM32
71	92800-12000	BOLT, DRAIN PLUG, 12MM	2	-	-	-----	SM32
72	18301-ZE2-V60	COLLAR, 10X16X53	1	-	-	-----	ED6
73	76122-952-000	STOPPER, DISCHARGE GUARD	2	-	-	2283686	ED6
74	94050-08000	NUT, FLANGE, 8MM	2	-	-	-----	VC2
	94050-06000	NUT, FLANGE, 6MM	1	-	-	-----	EN6



ZF60-E4001

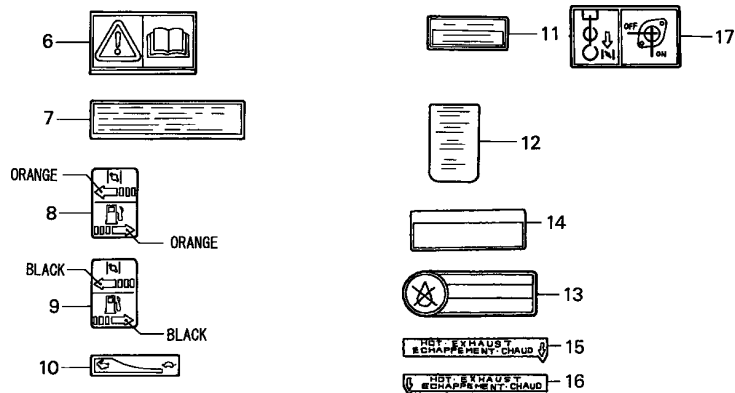
Service item F.R.T.
NOT INFORMATION

Ref. No.	Part No.	Description	Reqd. QTY			Serial No.	Parts catalogue code
			(1)	(2)	(3)		
1	17851-767-000	LEVER, THROTTLE	1	-	-	-----	SHW
2	17858-VA4-000	SPRING, THROTTLE LEVER	1	-	-	-----	SHW
3	17859-VA4-000	SEAT, SPRING	1	-	-	-----	SHW
4	43514-445-771	CLAMP, MASTER CYLINDER OIL					
5	90055-ZE1-000	SCREW, TAPPING, 4X6	6	-	-	-----	SHW
6	90131-ZE3-790	PLUG, OIL DRAIN	1	-	-	-----	SHW
7	90601-ZE2-000	WASHER, DRAIN PLUG, 12MM	1	-	-	-----	SHW
8	16267-ZE3-791	O-RING, AIR CLEANER	1	-	-	2402704	SXX
9	16595-ZE3-790	HOLDER, CHOKE CABLE	1	-	-	2415346	SXX
10	31750-769-003	RECTIFIER COMP., REGULATOR ..	1	-	1	-----	SXX,SXKP
11	32108-ZE3-790	BASE, HARNESS CLIP	1	-	1	-----	SXX,SXKP
12	32172-GJ1-003	CLIP B, HARNESS	1	-	1	-----	SXX,SXKP
13	32610-890-950	CABLE ASSY., BONDING	1	-	-	2402704	SXX
14	34908-GE0-701	BULB, WEDGE BASE (12V/2W)	1	-	1	-----	SXX,SXKP
15	37570-ZA0-801	SOCKET ASSY., LAMP (RED)	1	-	1	-----	SXX,SXKP
17	90013-883-000	BOLT, FLANGE, 6X12(CT200) ...	2	-	2	-----	SXX,SXKP
18	91508-SA4-003	CLIP, WIRE HARNESS (BLACK) ..	3	-	-	2402704	SXX
19	95001-45360-40	TUBE, FUEL, 4.5X360					
20	90630-751-000	CLIP, PURSE LOCK	1	-	-	2402705	SXX
		(95001-45001-60M)	1	-	-	-----	SXX
			-	-	1	-----	SXKP
21	16727-705-000	END, LOCK	1	-	1	-----	SXX,SXKP
22	16729-752-000	WIRE, LOCK	1	-	1	-----	SXX,SXKP
23	18333-ZK6-Y00	GASKET, EX. PIPE	2	-	2	-----	SXX,SXKP



Ref. No.	Part No.	Description	Reqd. QTY			Serial No.	Parts catalogue code
			(1)	(2)	(3)		
			GX390K1				
24	94050-08000	NUT, FLANGE, 8MM	2	-	2	-----	SXK, SXKP, SXK1
26	31750-769-751	RECTIFIER ASSY., REGULATOR ...	1	-	-	-----	LWD1
27	35100-766-013	SWITCH ASSY., COMBINATION ...	1	-	-	-----	LWD1
28	35110-766-003	KEY ASSY., COMBINATION SWITCH	2	-	-	-----	LWD1
29	35850-766-003	SWITCH ASSY., STARTER MAGNETIC	1	-	-	-----	LWD1

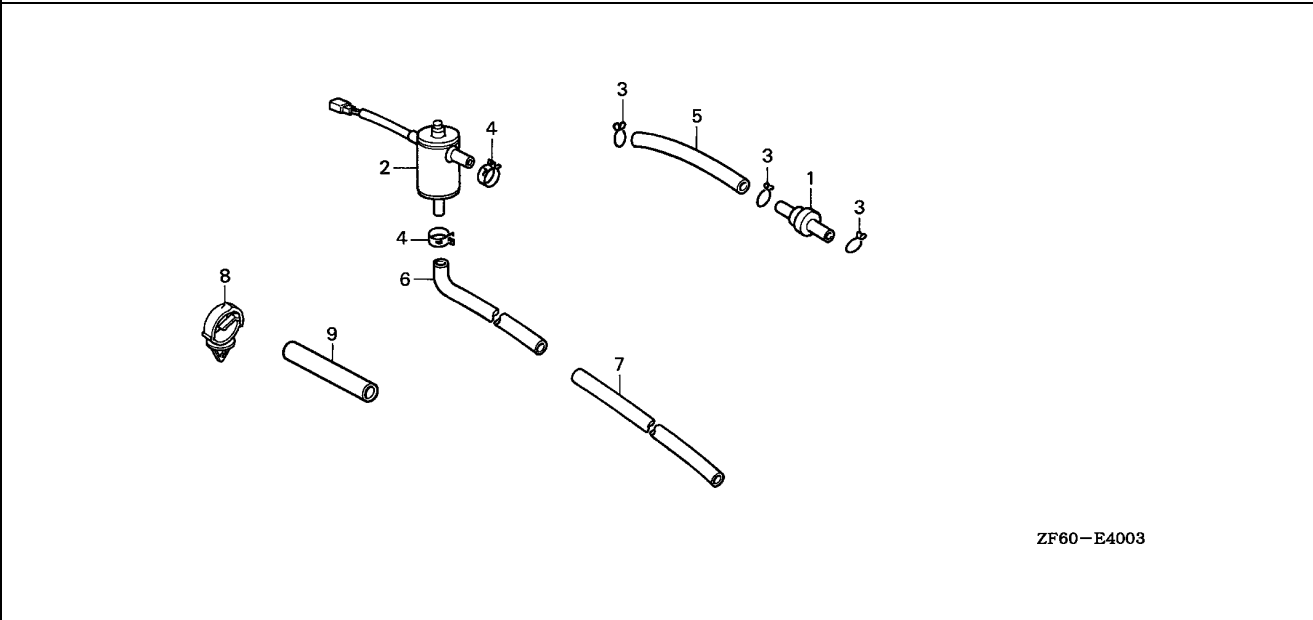




Service item F.R.T.
NOT INFORMATION

ZF60-E4002A

Ref. No.	Part No.	Description	Reqd. QTY			Serial No.	Parts catalogue code
			(1)	(2)	(3)		
6	87522-ZH8-W40	MARK, CAUTION	1	-	-	-----	QWA4,QWC4,QXS4
7	87522-ZH9-010	LABEL, CAUTION	1	-	-	-----	QKB2,QWA4,QWC4,QXS4
8	87528-ZE2-810	MARK, CHOKE (ORANGE)	1	-	-	-----	QWA4,QWC4,QXS4
9	87528-ZF6-W40	MARK, CHOKE (WHITE)	1	-	-	-----	QWA4,QWC4,QXS4
10	87532-ZH8-W40	MARK, THROTTLE INDICATION ...	1	-	-	-----	QWA4,QWC4,QXS4
11	87532-ZH8-810	MARK, OIL ALERT (EXTERNAL) ..	1	-	-	-----	QKB2,QWA4,QWC4,QXS4,VDB2,VK2
12	87534-ZE1-841	LABEL, AIR CLEANER CAUTION ..	1	-	-	-----	QWA4,QWC4,QXS4
13	87522-883-660	MARK, CAUTION (ENGLISH/FRENCH/SPANISH)	1	-	-	-----	EDD2,EDS1,EDS3,EDS5,EDS6,EDS7,EDT1,EDT5,EDT6,ED6,VTE2
			1	-	-	2053938	EDS
14	87533-ZB6-750	MARK, AIR CLEANER	1	-	-	-----	EDS5
	87533-ZC0-630	1	-	-	-----	EDD2,EDS,EDS1,EDS3,EDS6,EDS7,EDT1,EDT5,EDT6,ED6,EN6,ES3,ES4,ES5 EWS1,EWS3,EWS4,EWS5,VMT,VSB1,VSB3,VSD4,VTE2
15	87539-ZB2-630	MARK, EX. CAUTION	1	-	-	-----	EDS5
16	87539-898-620	MARK, EX. CAUTION (ENGLISH/FRENCH)	1	-	-	-----	EDD2,EDS,EDS1,EDS3,EDS6,EDS7,EDT1,EDT5,EDT6,ED6,ES3,ES4,ES5,EWS1 EWS3,EWS4,EWS5,VMT,VSB1,VSB3,VTE2
17	87528-898-620	MARK, CHOKE	1	-	-	-----	ENG

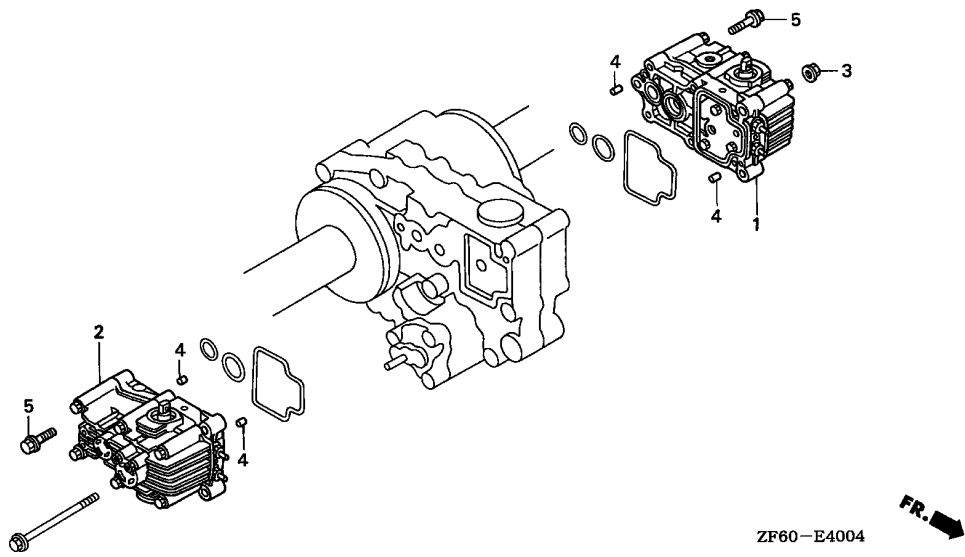


ZF60-E4003

Service item	F.R.T.
NOT INFORMATION	-

Ref. No.	Part No.	Description	Reqd. QTY			Serial No.	Parts catalogue code
			(1)	(2)	(3)		
1	36135-ZF6-D41	VALVE, DASHPOT CHECK	1	-	-	-----	ES5
2	36170-ZB4-003	VALVE ASSY., SOLENOID	1	-	-	-----	ES5
3	95002-02070	CLIP, TUBE (B7)	4	-	-	-----	ES5
4	95002-40800-08	CLAMP, TUBE (D8)	2	-	-	-----	ES5
5	95005-35030-10	TUBE, 3.5X30(95005-35001-10M)	1	-	-	-----	ES5
6	95005-35530-11	TUBE, 3.5X530(95005-35001-10M)	1	-	-	-----	ES5
7	95005-35710-10	TUBE, 3.5X710(95005-35001-10M)	1	-	-	-----	ES5
8	90683-SB2-781	CLIP (20MM)	2	-	-	3105388	ES5
9	91406-ZB3-740	TUBE, CORD	1	-	-	3105388	ES5

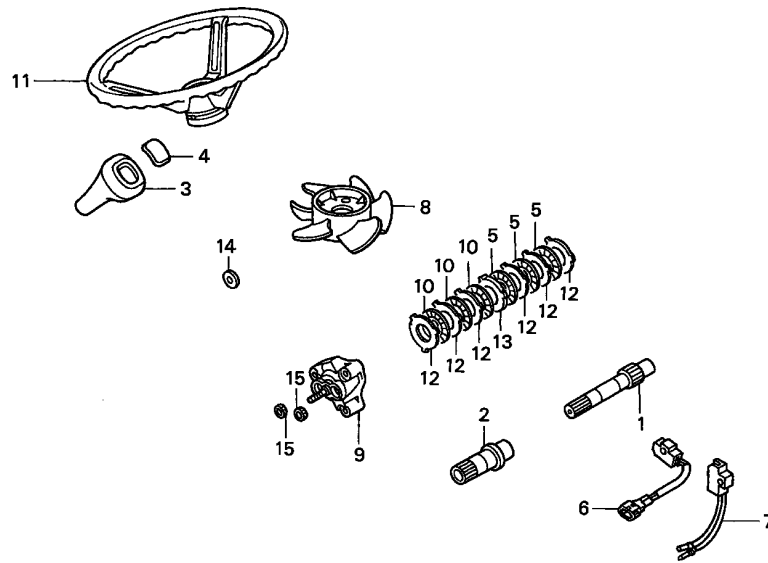




Service item	F.R.T.
NOT INFORMATION	-

Ref. No.	Part No.	Description	Reqd. QTY			Serial No.	Parts catalogue code
			GX390K1				
			(1)	(2)	(3)		
1	20006-VE3-662	R. TRANSMISSION SUB ASSY. (H.S.T.)	1	-	-	-----	SKAE
2	20007-VE3-662	L. TRANSMISSION SUB ASSY. (H.S.T.)	1	-	-	-----	SKAE
3	94050-06080	NUT, FLANGE, 6MM	2	-	-	-----	SKAE
4	94301-06100	DOWEL PIN, 6X10	4	-	-	-----	SKAE
5	95701-08080-08	BOLT, FLANGE, 8X80	12	-	-	-----	SKAE

2

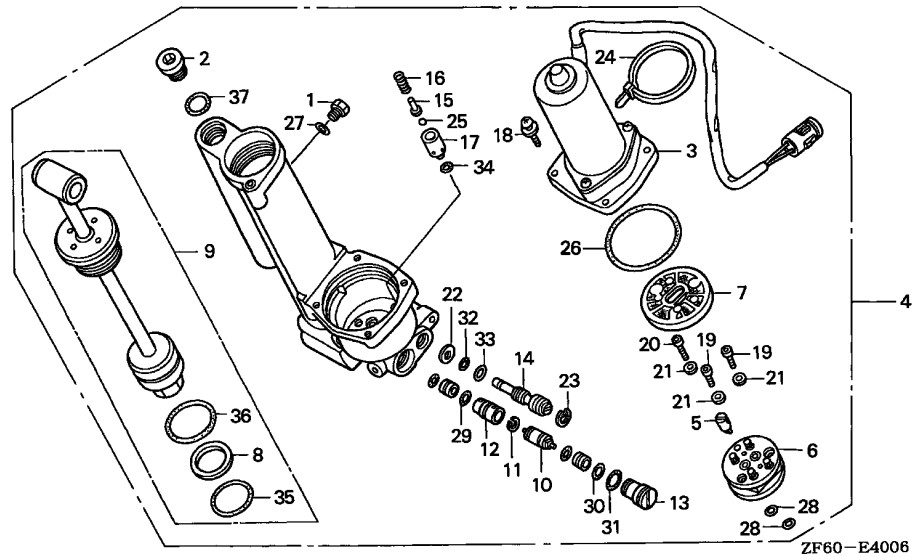


ZF60-E4005

Service item F.R.T.
NOT INFORMATION

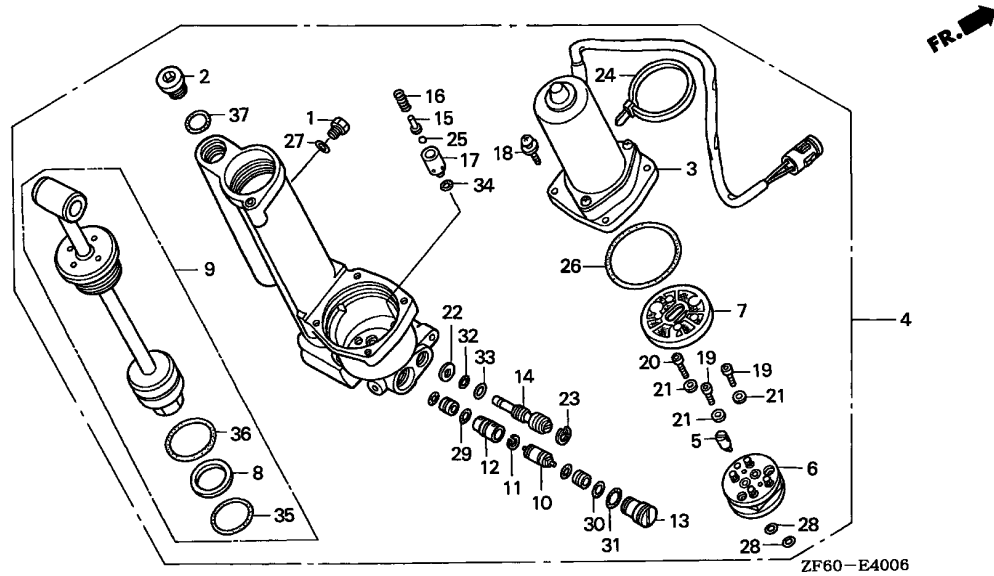
Ref. No.	Part No.	Description	Reqd. QTY			Serial No.	Parts catalogue code
			(1)	(2)	(3)		
1	23257-VE3-660	SHAFT A, BRAKE	1	-	-	-----	SKAE
2	23259-VE3-660	SHAFT B, BRAKE	1	-	-	-----	SKAE
3	24415-767-000	GRIP, CHANGE LEVER	1	-	-	-----	SKAE
4	24417-767-000	KNOB, CHANGE LEVER GRIP	1	-	-	-----	SKAE
5	28143-MMO-003	DISK, FRICTION	3	-	-	-----	SKAE
6	35100-881-003	SWITCH ASSY., NEUTRAL	1	-	-	-----	SKAE
7	36270-762-003	SWITCH ASSY., CHUTER COVER ..	1	-	-	-----	SKAE
8	40491-758-000	FAN, TRANSMISSION COOLING ...	1	-	-	-----	SKAE
9	43110-VE3-660	COVER COMP., BRAKE	1	-	-	-----	SKAE
10	43163-VE3-660	PLATE, BRAKE FRICTION	3	-	-	-----	SKAE
11	53110-792-000	WHEEL COMP., STEERING	1	-	-	-----	SKAE
12	75131-VE3-660	PLATE A, BRAKE	6	-	-	-----	SKAE
13	75134-VE3-660	PLATE B, BRAKE	1	-	-	-----	SKAE
14	90452-708-000	WASHER, 12MM	3	-	-	-----	SKAE
15	91208-MS2-611	OIL SEAL, 8X16X6(NOK)	2	-	-	-----	SKAE





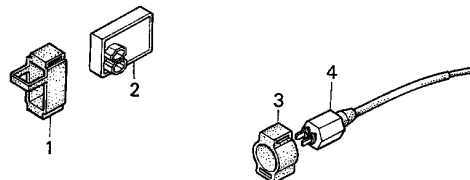
Service item F.R.T.
NOT INFORMATION

Ref. No.	Part No.	Description	Reqd. QTY			Serial No.	Parts catalogue code
			(1)	(2)	(3)		
1	15626-766-801	CAP, OIL HOLE	1	-	-	-----	SKAE
2	25611-766-802	CAP, OIL HOLE	1	-	-	-----	SKAE
3	36120-766-801	MOTOR ASSY., POWER TILT	1	-	-	-----	SKAE
4	56000-792-003	TRIM/TILT ASSY.	1	-	-	-----	SKAE
5	56113-766-801	JOINT, DRIVE	1	-	-	-----	SKAE
6	56114-ZV5-821	PUMP	1	-	-	-----	SKAE
7	56116-ZV5-822	FILTER B	1	-	-	-----	SKAE
8	56117-ZV5-821	RING, BACK UP	1	-	-	-----	SKAE
9	56120-792-003	ROD COMP., PISTON	1	-	-	-----	SKAE
10	56150-ZV5-822	SPOOL COMP., VALVE	1	-	-	-----	SKAE
11	56151-ZV5-822	RING, BACK UP	1	-	-	-----	SKAE
12	56161-ZV5-822	SLEEVE	1	-	-	-----	SKAE
13	56163-ZV5-822	PLUG C	1	-	-	-----	SKAE
14	56170-ZV5-821	VALVE COMP., MANUAL	1	-	-	-----	SKAE
15	56182-766-801	GUIDE, SPRING	1	-	-	-----	SKAE
16	56183-766-801	SPRING, VALVE	1	-	-	-----	SKAE
17	56191-766-801	SEAT, VALVE	1	-	-	-----	SKAE
18	90001-ZV5-821	SCREW-WASHER	4	-	-	-----	SKAE
19	90114-ZV5-821	BOLT, SOCKET (A)	2	-	-	-----	SKAE
20	90115-ZV5-821	BOLT, SOCKET (B)	1	-	-	-----	SKAE
21	90401-ZV5-822	WASHER, PLAIN	3	-	-	-----	SKAE
22	90402-ZV5-821	WASHER, SEAL	1	-	-	-----	SKAE
23	90604-ZV5-822	CIRCLIP, INTERNAL	1	-	-	-----	SKAE
24	90621-766-801	BAND, WIRE HARNESS	1	-	-	-----	SKAE
25	90921-766-801	BALL, STEEL	1	-	-	-----	SKAE



Ref. No.	Part No.	Description	Reqd. QTY			Serial No.	Parts catalogue code
			GX390K1				
			(1)	(2)	(3)		
26	91302-ZV5-821	O-RING	1	-	-	-----	SKAE
27	91303-ZV5-821	O-RING	1	-	-	-----	SKAE
28	91304-ZV5-821	O-RING	2	-	-	-----	SKAE
29	91306-ZV5-821	O-RING	1	-	-	-----	SKAE
30	91307-ZV5-821	O-RING	1	-	-	-----	SKAE
31	91308-ZV5-821	O-RING	1	-	-	-----	SKAE
32	91309-ZV5-821	O-RING	1	-	-	-----	SKAE
33	91310-ZV5-821	O-RING	1	-	-	-----	SKAE
34	91311-ZV5-822	O-RING	1	-	-	-----	SKAE
35	91316-ZV5-821	O-RING	1	-	-	-----	SKAE
36	91317-ZV5-821	O-RING	1	-	-	-----	SKAE
37	91351-766-801	O-RING	1	-	-	-----	SKAE

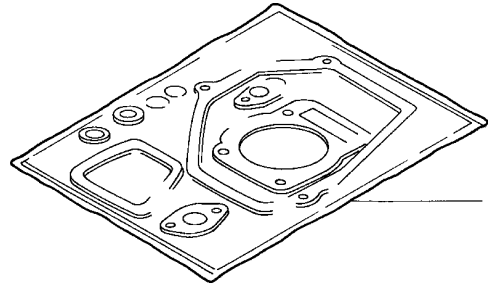




ZF60-E4007 A

Service item F.R.T.
NOT INFORMATION

Ref. No.	Part No.	Description	Reqd. QTY			Serial No.	Parts catalogue code
			(1)	(2)	(3)		
1	30401-HE0-000	CUSHION, C.D.I. UNIT	1	-	-	-----	SXK1
2	30410-ZK6-003	C.D.I. UNIT	1	-	-	-----	SXK1
3	30506-KV3-771	SUSPENSION, IGNITION COIL ...	1	-	-	-----	SXK1
4	30510-ZK6-003	COIL COMP., IGNITION	1	-	-	-----	SXK1

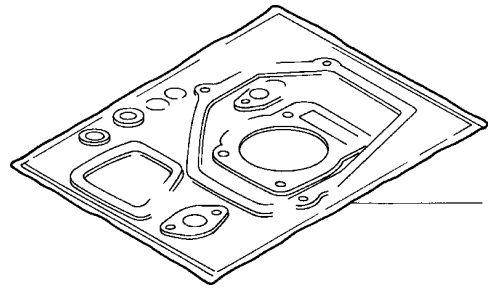


HENG-X0003

Service item F.R.T.
NOT INFORMATION

Ref. No.	Part No.	Description	Reqd. QTY			Serial No.	Parts catalogue code
			GX390K1	(1)	(2)		
1	061A1-ZF6-010	GASKET KIT	1	-	-	2056148 QXC	
	061A1-ZF6-020	1	-	-	2057295 HA,QA,QAE,QNE,VA,VXE	
			1	-	-	HJA,QN18,VDE1,VWA	
			1	-	-	2056149 2275744 QXC	
	061A1-ZF6-030	1	-	-	2057296 2275744 HA,QA,QAE,QNE,VA,VXE	
			1	-	-	2275744 BJ,EDS,EDS1,EDS3,EDS5,EDT1,ED6,ED8,ED9,ES1,ES3,ES4,EWS1,EWS3,EWS4	
						EWS5,HH,HX,LH,LHB1,LHC,LHE,LJ,LKF1,LTK,LWD,LX,LXE,LXE4,LXQ4,LXZ	
						PX,PXE,QA,QAE,QE,QH,QHB3,QHC,QHE,QKA2,QKA4,QKE2,QME0,QME1,QNE,QP	
						QT,QX,QXB,QXC,QXC4,QXE,QXEB,QXE4,QXQ4,SCK4,SE,SH,SHB1,SHE,SHEZ	
						SHQ4,SHW,SJ,SKA,SMC1,SMD3,SMEO,SME6,SN,SNC,SWE,SWX,SX, SXB,SXE	
						SXEB,SXE4,SXP,SXQ4,VA,VAA,VAAE,VE,VH,VHE,VMX,VNG1,VNG2,VSD,VSD4	
						VX,VXB,VXE,VXEB,VXE4,VXQ4,VXU,VXU1	
	061A1-ZF6-700	-	1	-	2275744	
			1	-	-	QAQ	
	061A1-ZF6-750	1	-	-	2949254 HAQ,HA2,HJA2,QAE2,QA2,QDW9,QNE2,QNE9,QXC9,VAG2,VA2,VWA2	
			1	-	-	QH2	
			1	-	-	2949254 LXE2,QNE2,QNE9,QXC9,QXE2,VXE2	
	061A1-ZF6-850	1	-	-	2949254 HAQ,HA2,HJA2,LXE2	
	06111-ZF6-W80	1	-	-	EDS2	
			1	-	-	2275744 LX2,QNR2,SX2,VDE2,VMA2	
			1	-	-	2949254 EDD2,LP,LWD1	





HENG-X0003

2

Ref. No.	Part No.	Description	Reqd. QTY			Serial No.	Parts catalogue code
			(1)	(2)	(3)		
(1)	06111-ZF6-R80	GASKET KIT	1	-	-	-----	LMH,PA2,QWA2,SMX,VKB2
			1	-	-	2275745	----- ES1,HX,LHB1,LHC,LXZ,PXE,QA,QAE,QHC,QKA2,QKE2,QNE,QP,SE,SKA,SXP SX2,VA,VE,VH,VHE,VMX
			1	-	-	2949254	----- LHW,LKE,LXE8,LXU,PXE8,PXU,QHP1,QMH,QND,QNR6,QXE8,QXU,SWA4,SXE8 SXU,VME2,VM2,VTE1,VTE5,VXE6,VXE8,VXFB,VXTB,VXT1,VX8
			1	-	-	2275745	2949254 ED8,ED9,HH,LH,LHE,LX,LXE,LXE4,LXQ4,LX2,PX,QE,QH,QHB3,QHE,QKA4 QMEO,QME1,QNR2,QT,QX,QXB,QXC,QXC4,QXE,QXEB,QXE4,QXQ4,SCK4,SH,SHB1 SHE,SHQ4,SMC1,SMD3,SMEO,SME6,SN,SNC,SWE,SWX,SX, SXB,SXE,SXEB,SXE4 SXQ4,VDE2,VMA2,VNG1,VNG2,VSD,VX,VXB,VXE,VXEB,VXE4,VXQ4,VXU,VXU1
	06111-ZF6-R81	1	-	-	2949255	----- EDS,EDS1,EDT1,ED6,ED8,ED9,ES3,ES4,EWS1,EWS3,EWS4,EWS5,HH,LH,LHE LHW,LKE,LP,LX,LXE,LXE4,LXE8,LXQ4,LXU,LX2,PX,PXE8,PXU,QE,QH,QHB3 QHE,QHP1,QKA4,QMEO,QME1,QMH,QND,QNR2,QNR6,QT,QX,QXB,QXC,QXC4,QXE QXEB,QXE4,QXE8,QXQ4,QXU,SCK4,SH,SHB1,SHE,SHQ4,SMC1,SMD3,SMEO,SME6 SN,SNC,SWA4,SWE,SWX,SX, SXB,SXE,SXEB,SXE4,SXE8,SXQ4,SXU,VA,VDE2 VMA2,VME2,VM2,VNG1,VNG2,VSD,VSD4,VTE1,VTE5,VX,VXB,VXE,VXEB,VXE4 VXE6,VXE8,VXFB,VXQ4,VXTB,VXT1,VXU,VXU1,VX8
	06111-ZF6-W81	-	-	1	-----	----- VXP,VXQP
			1	-	-	2949255	----- EDD2,LP,LWD1

PART NO. INDEX

Part Number	Address	Page	Ref.	Part Number	Address	Page	Ref.	Part Number	Address	Page	Ref.	Part Number	Address	Page	Ref.				
06000				120A0-ZF6-W30	E10	52	1	14000				F12	70	8	16028-ZA0-931	J5	127	7	
06111-ZF6-R80	2-E14	264	1	120A0-ZF6-W31	E11	53	1	14100-ZF6-L01	G10	84	1	15625-ZE1-003	F5	63	8	16028-ZA0-981	J13	135	6
06111-ZF6-R81	2-E14	264	1	12200-ZF6-F01	E1	43	1	14100-ZF6-L02	G10	84	1		F12	70	7	16028-ZE0-005	H15	105	7
06111-ZF6-W80	2-E13	263	1	12200-ZF6-W01	E1	43	1	14100-ZF6-W00	G9	83	1	15626-766-801	2-E10	260	1		J1	123	7
06111-ZF6-W81	2-E14	264	1	12204-ZE2-306	E2	44	2	14100-ZF6-W01	G10	84	1	15630-ZE3-L60	F13	71	24		J16	138	7
061A1-ZF6-010	2-E13	263	1	12204-ZE2-315	E1	43	2	14100-ZK6-870	G10	84	1	15634-ZE3-L60	F13	71	25	16028-ZE3-701	J5	127	7
061A1-ZF6-020	2-E13	263	1	12205-ZE2-305	E2	44	3	14410-ZE3-013	G10	84	2	15721-ZB4-000	E3	45	7	16040-ZA0-702	J13	135	7
061A1-ZF6-030	2-E13	263	1	12209-ZE8-003	G13	87	17	14431-ZE2-010	G10	84	3		L3	157	16	16044-ZE3-W20	H16	106	8
061A1-ZF6-700	2-E13	263	1	12216-ZE2-300	E2	44	4	14441-ZE2-000	G10	84	4	15721-ZB7-000	E3	45	7		J1	123	8
061A1-ZF6-750	2-E13	263	1	12251-ZF6-W00	E2	44	5	14451-ZE1-013	G10	84	5	15721-ZE3-H00	E3	45	7		J13	135	8
061A1-ZF6-850	2-E13	263	1	12310-ZE2-010	E2	44	6	14568-ZE1-000	G11	85	6		E9	51	19	16044-ZF6-U11	J16	138	8
				12310-ZE2-020	E3	45	6	14568-ZE3-790	G11	85	6	15721-ZE3-L61	E9	51	19	16044-ZF6-W61	J12	134	1
				12310-ZE3-790	E3	45	6	14711-ZE3-000	G11	85	7	15772-292-010	E9	51	20	16100-ZF6-741	J5	127	8
11000				12310-ZE3-791	E3	45	6	14711-ZE9-900	G11	85	7					16100-ZF6-742	J5	127	8
11300-ZE3-020	F2	60	2	12315-ZE3-840	E3	45	7	14711-ZF6-F00	G11	85	7	16000				16100-ZF6-D40	J5	127	8
11300-ZE3-030	F2	60	2	12391-ZE2-020	E3	45	8	14721-ZE3-000	G11	85	8	16010-ZA0-921	J4	126	1	16100-ZF6-D41	J5	127	8
11300-ZE3-040	F2	60	2					14721-ZE3-810	G12	86	8	16010-ZE2-015	J1	123	1	16100-ZF6-D42	J5	127	8
11300-ZE3-602	F2	60	2	13000				14721-ZE9-900	G12	86	8	16010-ZE2-812	H12	102	1	16100-ZF6-H01	K4	142	8
11300-ZE3-603	F2	60	2	13010-ZF6-003	G4	78	1	14721-ZF6-F00	G12	86	8	16010-ZE2-A20	K4	142	1	16100-ZF6-L61	J13	135	9
11300-ZE3-604	F3	61	2	13010-ZF6-005	G4	78	1	14721-ZK6-800	G12	86	8	16010-ZE2-701	J4	126	1	16100-ZF6-L62	J13	135	9
11300-ZE3-612	F12	70	2	13011-ZF6-003	G4	78	1	14751-ZE2-003	G12	86	9	16010-ZE3-701	J4	126	1	16100-ZF6-L63	J13	135	9
11300-ZE3-614	F12	70	2	13011-ZF6-005	G4	78	1	14771-ZE2-000	G12	86	10	16010-ZF6-U11	J16	138	1	16100-ZF6-R40	J5	127	8
11300-ZE3-702	F15	73	2	13012-ZF6-003	G4	78	1				11	16011-ZA0-931	H13	103	2	16100-ZF6-R41	J5	127	8
11300-ZE3-704	F15	73	2	13012-ZF6-005	G4	78	1	14773-ZE2-000	G12	86	11		J1	123	2	16100-ZF6-U01	I1	107	9
11300-ZE3-W00	F12	70	2	13012-ZF6-005	G4	78	1	14775-ZE2-010	G13	87	12		J4	126	2	16100-ZF6-U11	J16	138	9
11300-ZF6-W30	F12	70	2	13013-ZF6-003	G4	78	1	14781-ZE2-000	G13	87	13		J13	135	1	16100-ZF6-U12	J16	138	9
11300-ZF6-W32	F12	70	2	13013-ZF6-005	G4	78	1	14791-ZE2-010	G13	87	14		J16	138	2	16100-ZF6-U14	J16	138	9
11315-ZB8-000	H6	96	1	13101-ZF6-810	G5	79	2						K4	142	2	16100-ZF6-U71	J5	127	8
11315-ZE3-700	F16	74	19	13101-ZF6-W00	G5	79	2	15000				16013-ZA0-931	H13	103	3	16100-ZF6-U72	J5	127	8
11381-ZE3-000	F3	61	3	13102-ZF6-810	G5	79	2	15510-ZE2-013	E12	54	2		J1	123	3	16100-ZF6-V00	I1	107	9
11381-ZE3-800	F3	61	3	13102-ZF6-W00	G5	79	2	15510-ZE2-023	E12	54	2		J4	126	3	16100-ZF6-V01	I1	107	9
11381-ZE3-801	F3	61	3	13103-ZF6-810	G5	79	2	15510-ZE2-033	E12	54	2		J13	135	2	16100-ZF6-V20	I1	107	9
	F12	70	3	13103-ZF6-W00	G5	79	2	15510-ZE2-043	E13	55	2		J16	138	3	16100-ZF6-V21	I1	107	9
	F15	73	3	13104-ZF6-810	G6	80	2	15510-ZE2-702	E13	55	2	16015-ZA0-931	K4	142	3	16100-ZF6-V41	J5	127	8
11500-ZE3-611	2-D3	237	1	13104-ZF6-W00	G6	80	2	15510-ZE2-703	E13	55	2	16015-ZE2-005	J4	126	4	16100-ZF6-V51	I1	107	9
11500-ZE3-620	2-D3	237	1	13111-ZF6-W00	G6	80	3	15510-ZE2-704	E13	55	2		H13	103	4	16100-ZF6-W10	H16	106	9
11500-ZE3-640	2-D3	237	1	13200-ZE3-010	G7	81	4	15515-ZE3-700	E13	55	3		J1	123	4	16100-ZF6-W11	I1	107	9
11500-ZK3-800	2-D3	237	1	13200-ZE3-020	G7	81	4	15515-ZE3-701	E13	55	3	16015-ZE2-A20	K4	142	4	16100-ZF6-W20	J1	123	9
11521-ZE2-800	2-D3	237	2	13200-ZE3-315	G7	81	4	15520-ZE2-003	H6	96	2	16015-ZE8-005	H14	104	4	16100-ZF6-W21	J1	123	9
				13200-ZF6-000	G7	81	4	15520-ZE2-822	H11	101	20		J1	123	4	16100-ZF6-W30	I1	107	9
12000				13215-ZF6-003	G8	82	7					16015-ZF6-U12	J16	138	4	16100-ZF6-W31	I1	107	9
12000-ZF6-405	E11	53	1	13216-ZF6-003	G8	82	7	2-C5	223	1	16016-ZE0-005	H15	105	5	16100-ZF6-W50	I1	107	9	
12000-ZF6-415	E11	53	1	13217-ZF6-003	G8	82	7	2-C12	230	1		J1	123	5	16100-ZF6-W51	I1	107	9	
12000-ZF6-W02	E11	53	1	13218-ZF6-003	G8	82	7	15600-735-003	F4	62	5		J16	138	5	16100-ZF6-W61	J12	134	2
12000-ZF6-W03	E11	53	1	13310-ZF6-010	G1	75	7		F11	69	23	16016-ZF6-005	J13	135	3	16100-ZF6-Y01	I1	107	9
12000-ZF6-W12	E11	53	1	13310-ZF6-D40	G1	75	1		F12	70	5		K4	142	5	16100-ZF6-Y31	I1	107	9
12000-ZF6-W13	E11	53	1	13310-ZF6-W10	G1	75	2	15600-735-700	F4	62	5	16016-ZF6-D40	J4	126	5	16100-ZK6-801	K6	144	1
12000-ZF6-W32	E11	53	1	13310-ZF6-W20	G1	75	3		F12	70	5	16016-ZH7-W01	I16	122	39	16100-ZK6-U31	J5	127	8
12000-ZF6-W33	E11	53	1	13310-ZF6-W30	G1	75	4	15600-ZG4-003	F3	61	4	16016-ZH8-W01	J5	127	5	16100-ZK6-U32	J5	127	8
12000-ZF6-Y30	E10	52	1	13310-ZF6-W40	G1	75	5		F11	69	22	16023-ZE3-L60	J13	135	4	16100-ZK6-U71	J5	127	8
12000-ZF6-Y32	E11	53	1	13310-ZF6-W50	G3	77	14		F12	70	4	16024-124-760	J5	127	6	16100-ZK6-V71	K2	140	1
120A0-ZF6-L02	E10	52	1	13310-ZF6-W60	G1	75	6	15620-ZE2-700	F15	73	4		J16	138	6	16124-ZE0-005	I2	108	10
120A0-ZF6-L03	E10	52	1	13310-ZF6-W70	G1	75	7	15620-ZE3-L61	F13	71	23	16024-124-761	J5	127	6		J1	123	10
120A0-ZF6-W00	E10	52	1	13310-ZF6-Y30	G1	75	3	15620-ZG4-910	F4	62	6	16024-ZE1-811	H15	105	6		J5	127	9
120A0-ZF6-W01	E10	52	1	13310-ZK6-000	G1	75	5		F12	70	6		J1	123	6		J12	134	3
120A0-ZF6-W10	E10	52	1	13310-ZK6-600	G1	75	5	15621-896-010	F5	63	7	16024-ZE3-L60	J13	135	5		J13	135	10
120A0-ZF6-W11	E10	52	1	13310-ZK6-670	G1	75	5		F12	70	7	16024-ZH7-A20	K4	142	6		J16	138	10
				13351-ZE3-010	G1	75	8	15625-ZE1-000	F5	63	8	16028-ZA0-701	J5	127	7		K2	140	2



PART NO. INDEX

Part Number	Address	Page	Ref.	Part Number	Address	Page	Ref.	Part Number	Address	Page	Ref.	Part Number	Address	Page	Ref.	Part Number	Address	Page	Ref.	
17212-ZB4-003	L2	156	2	17470-ZE3-841	L1	155	10	18325-ZE3-G10	L16	170	3	19610-ZE3-700ZA H7		97	7	28400-ZE3-W01ZC G14		88	1	
17212-ZE2-000	L5	159	2	17475-ZE3-841	L1	155	11	18325-ZE3-H00	L16	170	3	19610-ZE3-700ZB H7		97	7	28400-ZE3-W01ZD G14		88	1	
17212-ZE3-L60	L4	158	3	17476-ZE3-841	L1	155	12	18329-ZB4-000	M2	172	4	19610-ZE3-700ZF H7		97	7	28400-ZE3-W01ZH G14		88	1	
17218-ZE3-000	K9	147	3	17500-ZE3-811ZA M6		176	4	18330-ZE2-000	L16	170	4	19610-ZE3-700ZG H7		97	7	28400-ZE3-W01ZK G14		88	1	
	K16	154	3	17500-ZE3-811ZB M6		176	4	18330-ZE2-W00	L9	163	5	19610-ZE3-700ZH H7		97	7	28400-ZE3-W01ZL G14		88	1	
17219-ZE3-840	K16	154	4	17500-ZE3-811ZE M6		176	4	18330-ZE3-700	M2	172	5	19610-ZE3-700ZJ H7		97	7	28400-ZE3-W01ZM G14		88	1	
17220-ZB4-003	L2	156	3	17505-ZB2-003 M12		182	7	18330-ZE3-710	M2	172	5	19610-ZE3-H51ZB H11		101	23	28400-ZE3-W01ZN G14		88	1	
17220-ZB7-000	L2	156	3	17505-ZE2-013 M6		176	5	18331-ZE3-810	L9	163	6	19610-ZE3-W00ZA H6		96	7	28403-ZE3-H60 H11		101	25	
17220-ZE3-L61	L4	158	4	17510-ZB4-000ZB M12		182	8		M1	171	11	19610-ZE3-W00ZB H6		96	7	28410-ZE3-W01ZA G15		89	2	
17222-ZB8-000	L2	156	4	17510-ZB4-000ZC M12		182	8	18333-ZB4-800	M2	172	6	19610-ZE3-W01ZA H7		97	7	28410-ZE3-W01ZB G15		89	2	
17222-ZC2-000	L2	156	4	17510-ZB4-000ZE M12		182	8	18333-ZB7-800	M4	174	2	19610-ZE3-W01ZB H7		97	7	28410-ZE3-W01ZD G15		89	2	
17222-ZE3-L60	L4	158	5	17510-ZB4-000ZF M12		182	8	18333-ZE3-000	L9	163	7	19610-ZE3-W01ZD H7		97	7	28410-ZE3-W01ZE G15		89	2	
17230-ZE3-000	K9	147	4	17510-ZB7-000 M12		182	8	18333-ZE3-800	L9	163	7	19610-ZE3-W01ZE H7		97	7	28410-ZE3-W01ZH G15		89	2	
	L6	160	4	17510-ZC2-000ZC M12		182	8		M1	171	12	19613-ZE3-H50 H11		101	24	28410-ZE3-W01ZK G15		89	2	
17230-ZE3-811	K14	152	2	17510-ZE3-010ZA M7		177	6		M3	173	15	19620-ZE3-810 H7		97	8	28410-ZE3-W01ZL G15		89	2	
17230-ZE3-841	K16	154	5	17510-ZE3-010ZB M7		177	6		M4	174	8	19620-ZE3-L60ZA H7		97	8	28410-ZE3-W01ZM G15		89	2	
17231-883-020	L4	158	6	17510-ZE3-010ZC M7		177	6	18333-ZF6-W01	L10	164	7	19630-ZB8-000 H7		97	9	28410-ZE3-W01ZN G15		89	2	
17231-883-632	L4	158	18	17510-ZE3-010ZD M7		177	6		M1	171	12	19631-ZE3-W00 H8		98	10	28421-ZE3-W01 G15		89	3	
17231-899-000	L2	156	6	17510-ZE3-010ZE M7		177	6	18333-ZK6-Y00	L9	163	7					28422-ZE2-W01 G16		90	4	
17231-ZB7-000	L2	156	5	17520-ZA0-800 M14		184	11		M1	171	12	20000				28441-ZE2-W01 H1		91	5	
17231-ZE2-000	L5	159	3	17620-899-013 M12		182	9		2-E4	254	23					28442-ZE2-W01 H1		91	6	
17231-ZE3-W01	K9	147	5	17620-ZE2-W00 M7		177	7	18336-ZE3-000	L16	170	5	20006-VE3-662 2-E8	258	1		28443-ZE2-W01 H1		91	7	
17232-891-000	K9	147	6	17620-ZH7-013 M7		177	8	18338-ZE2-V60	M2	172	7	20007-VE3-662 2-E8	258	2		28444-ZE2-W01 H2		92	8	
	K16	154	6	17620-ZH7-023 M7		177	8	18355-ZB4-630	M2	172	8					28450-ZE3-W11 M16		186	3	
17233-896-701	L7	161	1	17631-329-003 M8		178	9	18355-ZE2-W00	L10	164	8	22000				28451-ZE3-W01 M16		186	4	
	2-E3	253	48	17631-899-000 M12		182	10	18355-ZE3-010	L16	170	6					28461-ZE2-W02 H3		93	10	
17235-899-000	L2	156	7	17631-ZH7-003 M8		178	9	18381-ZE2-000	L16	170	7	22103-ZE3-610 2-D3	237	3		28462-ZE3-W01 H3		93	11	
17235-ZE3-000	K9	147	7	17670-899-000 M12		182	11	18381-ZE2-800	L11	165	10	22103-ZE3-640 2-D3	237	3		28469-ZE2-W01 H3		93	12	
17235-ZH9-N00	K10	148	8	17672-880-000 M9		179	11		L16	170	7	22103-ZE3-W00 2-D3	237	3						
17236-899-000	L3	157	8	17672-899-000 M12		182	11	18381-ZE2-W10	L11	165	9	22411-766-000 N3	189	2						
17237-ZE2-S00	L4	158	7		M14	184	12	18381-ZE3-820	L16	170	8					30000				
17238-ZE2-310	K11	149	9	17672-ZE2-W00 M8		178	10	18381-ZE3-830	L16	170	8	23000				30201-PH9-004 2-B3	205		1	
	K14	152	3	17672-ZE2-W01 M9		179	10	18412-ZB7-000 M4		174	3					30202-PZ1-003 2-B3	205		2	
	K16	154	7	17673-893-000 M9		179	12	18413-ZB7-000 M4		174	4	23220-ZE3-610 2-D3	237	4		30310-ZK6-003 N13	199		1	
	L5	159	4	17701-ZK6-U30 M9		179	13	18414-ZB7-000 M4		174	5	23220-ZE3-640 2-D3	237	4		30401-HA0-000 2-C4	222		1	
	L6	160	5	17850-ZD1-E30 2-C3		221	2	18430-ZF6-W50 L11		165	11	23222-ZE3-W00 2-D3	237	5		30401-HE0-000 2-E12	262		1	
17238-ZE3-H00	L6	160	6	17851-767-000 2-E4		254	1	18433-ZF6-W40 L11		165	12	23257-VE3-660 2-E9	259	1		30410-ZE3-003 N9	195		23	
17238-ZE7-010	K13	151	17	17858-VA4-000 2-E4		254	2	18434-ZF6-W40 L11		165	13	23259-VE3-660 2-E9	259	2		30410-ZK6-003 2-E12	262		2	
	L4	158	8	17859-VA4-000 2-E4		254	3	18436-ZH8-W40 L11		165	14	23710-ZE3-610 2-D3	237	6		30500-ZE2-013 N4	190		1	
17239-ZE1-000	K11	149	10					2-E3	253	49		23710-ZE3-620 2-D3	237	6		30500-ZE3-003 N9	195		24	
	K14	152	4	18000				L11	165	15		23710-ZE3-640 2-D3	237	6		30500-ZF6-W02 N4	190		1	
	L5	159	5					L11	165	16		23710-ZF6-U50 2-D3	237	6		N10	196		1	
	L6	160	7	18301-ZE2-V60 2-E3	253	72		L11	165	17		23710-ZF6-Y30 2-D3	237	6		N11	197		1	
17239-ZE3-840	K16	154	8	18310-ZB8-003 M4		174	1	18466-ZH8-W40 L11		165	17	23710-ZK3-800 2-D3	237	6		30505-ZE6-000 N9	195		25	
17252-899-000	L3	157	9	18310-ZD1-E31 M2		172	1		2-E3	253	50					30506-KV3-771 2-E12	262		3	
17255-ZA0-000	L4	158	9	18310-ZE2-V60 M2		172	1	19000				24000				30510-ZK6-003 2-E12	262		4	
17316-611-000	E3	45	10	18310-ZE2-W61 L7		161	2									30561-ZB4-000 2-E1	251		1	
17367-413-690	L3	157	10	18310-ZE3-003 L16		170	1	19511-ZE3-000 M15		185	1	24415-767-000 2-E9	259	3		30600-ZE1-013 N5	191		2	
17402-ZE3-810	K14	152	5	18320-ZC2-000 M2		172	2	19511-ZE3-790 N3		189	1	24417-767-000 2-E9	259	4		N10	196		2	
17410-ZA0-701	K13	151	18	18320-ZE2-W60 L7		161	3	19512-ZE2-000 M15		185	2					30700-ZB7-013 N5	191		2	
	L4	158	10	18320-ZE2-W61 L8		162	3	19602-ZE3-E40 H6		96	5	25000				30700-ZE1-013 N5	191		2	
17410-ZE2-020	L5	159	6	18320-ZE3-003 L16		170	2	19610-ZB8-000 H6		96	6					N11	197		2	
17410-ZE3-010	K11	149	11	18320-ZE3-G10 L16		170	2	19610-ZE3-000ZA H7		97	7	25611-766-802 2-E10	260	2		N13	199		2	
	K14	152	6	18320-ZE3-H00 L16		170	2	19610-ZE3-010ZA H7		97	7					30700-ZE3-792 N5	191		2	
	L6	160	8	18320-ZF6-W00 L7		161	3	19610-ZE3-010ZB H7		97	7	28000				H8	98		11	
17410-ZE3-840	K16	154	9	18320-ZF6-W01 L8		162	3	19610-ZE3-010ZC H7		97	7					N5	191		3	
17410-ZH9-N00	K11	149	11	18323-ZE3-W40 L8		162	4	19610-ZE3-010ZD H7		97	7	28143-MM0-003 2-E9	259	5						
17420-ZE2-000	L5	159	7	18325-ZB4-000 M2		172	3	19610-ZE3-010ZE H7		97	7	28400-ZE3-W01ZA G14		88	1					
17420-ZE3-810	K14	152	7	18325-ZE3-003 L16		170	3	19610-ZE3-010ZH H7		97	7	28400-ZE3-W01ZB G14		88	1					

PART NO. INDEX

Part Number	Address	Page	Ref.	Part Number	Address	Page	Ref.	Part Number	Address	Page	Ref.	Part Number	Address	Page	Ref.
31000															
31100-ZE3-700	N1	187	7	31232-ZB7-003	2-B4	206	11	31610-ZE3-W13ZD	2-C6	224	4	31710-ZA8-641	2-E1	251	8
31100-ZE3-701	N1	187	7	31232-ZE3-003	N16	202	13	31610-ZE3-W21ZB	2-C5	223	3	31710-ZB4-003	2-E1	251	9
31100-ZE3-711	N1	187	8	31233-PH9-004	2-B1	203	14	31610-ZE3-W22ZB	2-C6	224	4	31710-ZB7-A01	2-E1	251	10
31100-ZE3-712	N1	187	8	31233-ZE2-003	2-B3	205	19	31610-ZE3-W22ZC	2-C6	224	4	31711-ZA8-641	2-E1	251	11
31100-ZE3-721	N1	187	9		2-B1	203	15	31610-ZE3-W23ZB	2-C6	224	4	31750-769-003	2-E4	254	10
31100-ZE3-722	N1	187	9		2-B4	206	12		2-C13	231	5	31750-769-751	2-E5	255	26
31100-ZE3-H02	N3	189	3	31235-ZG4-801	2-B3	205	20	31610-ZE3-W23ZC	2-C6	224	4	32000			
31100-ZE3-U10	M16	186	6	31425-ZB4-010ZA	2-E1	251	2	31610-ZE3-W31ZB	2-C12	230	3	35110-766-003	2-E5	255	28
31100-ZE3-W00	N3	189	3	31462-ZB4-000	2-E1	251	3	31610-ZE3-W32ZA	2-C12	230	4	35111-880-003	2-C9	227	14
31100-ZE3-W01	M16	186	5	31482-ZB4-003	2-E1	251	4	31610-ZE3-W32ZB	2-C12	230	4		2-E1	251	15
31100-ZE3-W10	M16	186	5	31483-ZB4-003	2-E1	251	5	31610-ZE3-W33ZA	2-C12	230	4		2-E1	251	15
31100-ZE3-W11	M16	186	6	31500-197-713	2-D2	236	9	31610-ZE3-W33ZB	2-C7	225	4	35850-766-003	2-E5	255	29
31100-ZE3-W20	M16	186	5	31500-MN4-678	2-D2	236	9		2-C12	230	4	36000			
31100-ZE3-W21	M16	186	5	31507-ZB7-000	2-D2	236	1	31610-ZE3-W41ZB	2-C7	225	4	36100-ZE1-015	H9	99	13
31100-ZK6-000	N2	188	12	31510-ZE1-003	N5	191	5		2-C12	230	5	36100-ZF6-P81	H9	99	13
31100-ZK6-V70	N2	188	12	31510-ZE1-811	N5	191	5	31610-ZE3-W42ZA	2-C13	231	5	36100-ZH7-003	H9	99	13
31161-ZE2-000	E14	56	5		N11	197	3	31610-ZE3-W42ZB	2-C13	231	5	36100-ZH7-W41	H9	99	13
31195-ZC2-800	2-D16	250	1	31510-ZE2-811	N5	191	4	31610-ZF6-W41ZA	2-C7	225	4	36100-ZH8-W41	H9	99	13
31200-ZG4-611	2-B3	205	3	31510-ZE2-P31	N6	192	10	31610-ZF6-W41ZB	2-C7	225	4	36101-ZE2-701	N7	193	12
31203-PN4-003	2-B3	205	4	31510-ZE3-003	N5	191	5	31610-ZF6-W42ZA	2-C7	225	4		N10	196	6
31204-ZA0-003	N14	200	1		N11	197	3	31610-ZF6-W42ZB	2-C7	225	4		N11	197	9
31204-ZG4-801	2-B3	205	5	31510-ZE3-811	N5	191	5	31610-ZF6-W42ZC	2-C7	225	4	36101-ZE3-800	N7	193	12
31206-PH9-004	2-B3	205	6	31511-ZB4-000	2-C16	234	1	31610-ZF6-W52ZB	2-C7	225	4		N11	197	9
31206-ZE3-003	N14	200	2	31511-ZE2-W00	N5	191	6	31610-ZF6-W52ZC	2-C7	225	4	36103-ZE1-000	N7	193	13
	2-B4	206	1		N10	196	3	31610-ZK6-W41ZB	2-C12	230	5		N12	198	15
31207-ZE3-003	N14	200	3	31511-ZE3-000	N5	191	7	31610-ZK6-W42ZB	2-C12	230	5		2-C11	229	31
	2-B4	206	2		N11	197	4	31612-ZE2-003	2-C7	225	5		2-C15	233	28
31207-ZG4-611	2-B3	205	7	31512-880-810	2-C16	234	2		2-C13	231	6		2-E3	253	62
31208-ZG4-801	2-B3	205	8	31512-ZB7-000	2-D2	236	2	31614-ZE2-003	2-C7	225	6		2-E1	251	16
31210-PH9-004	2-B3	205	9	31512-ZE2-000	N6	192	8		2-C13	231	7	32343-892-003	2-B16	218	9
31210-ZB8-013	N14	200	4		N10	196	4	31615-ZE3-003ZA	2-C7	225	7		2-E1	251	13
31210-ZE3-013	N15	201	4		N11	197	6		2-C13	231	8	32410-ZB4-620	2-C16	234	6
31210-ZE3-A11	2-B4	206	3	31512-ZE3-003	N6	192	8	31615-ZE3-003ZB	2-C7	225	7	32410-ZB7-A00	2-D2	236	4
31211-PH9-004	2-B3	205	10	31512-ZG3-000	N6	192	9		2-C13	231	8	32411-253-000	2-C16	234	7
31211-ZE2-003	N15	201	5	31513-634-000	2-C16	234	3	31615-ZE3-003ZC	2-C7	225	7	32412-471-000	2-D2	236	5
	2-B4	206	4	31513-ZB7-000	2-D2	236	3	31615-ZE3-003ZD	2-C7	225	7	32416-460-000	2-D2	236	6
31212-PH9-004	2-B3	205	11	31521-880-000	2-C16	234	4	31620-ZG5-003	2-C5	223	2	32430-ZB4-620	2-C16	234	8
31212-ZE3-003	N15	201	6	31550-899-000	2-C16	234	5		2-C13	231	9	32430-ZB7-000	2-D2	236	7
	2-B4	206	5	31600-890-951	N8	194	19	31630-ZE1-003	N6	192	10	32600-ZR2-K30	2-C16	234	8
31213-679-004	2-B3	205	12	31600-ZE2-861	2-C5	223	2		N11	197	7	32601-SK7-900	2-C16	234	9
31213-ZE2-003	N15	201	7		2-C12	230	2	31630-ZE2-841	N6	192	10	32602-SK7-900	2-C16	234	10
	2-B4	206	6		2-E3	253	59		N11	197	7	32610-890-950	2-E4	254	13
31214-PH9-004	2-B3	205	13	31610-ZE3-013ZB	2-C7	225	4	31630-ZE2-861	N7	193	11	32902-892-003	2-C8	226	12
31215-ZE2-003	N15	201	8	31610-ZE3-812ZB	2-C5	223	4		N12	198	16		2-C13	231	13
	2-B4	206	7	31610-ZE3-842ZB	2-C5	223	4	31630-ZE2-E11	N7	193	11	37000			
31218-ZE3-003	N15	201	9		2-C7	225	4	31630-ZE2-W01	N7	193	11	37570-ZA0-801	2-E4	254	15
	2-B4	206	8	31610-ZE3-W01ZB	2-C5	223	3		N10	196	5	38000			
31218-ZG4-801	2-B3	205	14	31610-ZE3-W02ZB	2-C5	223	4	31630-ZF5-801	N11	197	7	34150-ZH7-003	F1	59	22
31219-ZE2-003	N16	202	10	31610-ZE3-W03ZA	2-C5	223	4	31630-ZF6-U01	N7	193	11		2-C11	229	29
	2-B4	206	9	31610-ZE3-W03ZB	2-C5	223	4	31630-ZK6-U03	N13	199	4		2-C15	233	26
31219-ZG4-801	2-B3	205	15	31610-ZE3-W11ZB	2-C5	223	3	31700-124-008	2-C7	225	8	34908-GE0-701	2-E4	254	14
31220-PH9-004	2-B3	205	16	31610-ZE3-W12ZB	2-C6	224	4		2-E1	251	7	35000			
31222-ZE3-791	N16	202	11	31610-ZE3-W12ZC	2-C6	224	4		2-E3	253	64	35100-766-013	2-E5	255	27
	2-B4	206	10	31610-ZE3-W12ZD	2-C6	224	4	31700-166-008	2-C4	222	3	35100-881-003	2-E9	259	6
31223-PA0-006	2-B3	205	17	31610-ZE3-W13ZA	2-C6	224	4	31700-ZA8-641	2-E1	251	6	35100-ZA0-013	2-E1	251	14
31231-PH9-004	2-B3	205	18	31610-ZE3-W13ZB	2-C6	224	4	31700-ZB7-003	2-C4	222	2		2-E2	252	19
31231-ZE2-003	N16	202	12	31610-ZE3-W13ZC	2-C6	224	4					38220-ZE1-000	2-E2	252	18
												38220-ZE2-R70	2-E2	252	18
												38240-VA3-900	2-C9	227	15
													2-E2	252	19
												38240-ZE2-840	2-C9	227	15
													2-E2	252	19
												38250-898-000	2-E2	252	20
												38250-ZA8-701	2-C9	227	16

3

PART NO. INDEX

Part Number	Address	Page	Ref.	Part Number	Address	Page	Ref.	Part Number	Address	Page	Ref.	Part Number	Address	Page	Ref.				
90050-ZE3-H00	M1	171	9	90441-ZE2-010	E5	47	14	2-D4	238	10		2-C14	232	21	93500-05032-0A	H11	101	18	
			14	90446-KE1-000	E15	57	10	90741-ZE2-000	N2	188	11	91502-ZA0-310	K5	143	31		2-B14	216	27
90050-ZH8-W40	L13	167	21	90452-708-000	2-E9	259	14		N3	189	8	91508-SA4-003	2-E4	254	18		2-B15	217	31
	2-E3	253	52	90471-ZE3-000	G1	75	9	90741-ZE3-L60	2-D4	238	10	91551-898-000	M13	183	17		2-B16	218	12
90055-ZE1-000	L13	167	22	90473-147-000	F8	66	14	90745-ZE2-600	G2	76	11	91552-898-000	2-E2	252	35		2-C2	220	12
	L15	169	31		F13	71	14		2-D4	238	10	91601-ZB4-003	2-E2	252	36	93500-05035-0A	2-B14	216	27
	M1	171	13		F15	73	10	90745-ZK2-800	2-D4	238	10	91601-ZE2-003	2-B1	203	17	93500-05045-0A	2-B14	216	27
	2-E4	254	5	90473-842-000	2-D4	238	8	90752-752-000	2-D14	248	25		2-B4	206	13	93500-06008-0G	L6	160	11
90085-ZA8-003	2-D16	250	7	90473-ZE3-010	G1	75	9	90755-758-L00	2-D14	248	16	92000				93600-05010-0A	M9	179	16
90101-692-000	2-E2	252	30		2-D4	238	8	90801-ZE2-003	E15	57	11						M13	183	18
90102-ZE3-790	N3	189	5	90473-ZE3-790	N3	189	7	90851-898-000	M13	183	15					93891-05012-00	L13	167	25
90107-959-003	G3	77	13	90503-898-000	M13	183	14	90852-898-000	2-E2	252	33	92000-08025-0A	G3	77	13		2-E3	253	54
	2-D3	237	7	90506-500-000	2-E2	252	31	90854-ZB2-000	M11	181	30		2-D4	238	13	93891-06020-07	L13	167	26
90110-ZE2-003	2-B1	203	16	90534-706-010	G2	76	10		M13	183	16	92000-10025-0A	G3	77	13	93892-05012-08	J9	131	48
90114-SA0-000	2-B13	215	24		2-D4	238	9	90854-ZB3-000	M11	181	23		2-D4	238	13	93892-05012-18	J9	131	48
90114-ZV5-821	2-E10	260	19	90601-ZE2-000	2-E4	254	7	90855-ZB4-000	2-E3	253	46	92101-05012-0A	2-B15	217	35		J14	136	22
90115-ZV5-821	2-E10	260	20	90601-ZE3-000	G8	82	6	90899-422-610	L6	160	10	92101-08025-0A	G3	77	13	93892-05014-18	2-B1	203	18
90121-ZE3-790	2-C1	219	12	90602-ZE1-000	F9	67	15	90921-766-801	2-E10	260	25		2-D4	238	13	93892-05016-00	L6	160	12
90122-735-000	2-B15	217	31		F13	71	15	91000				92101-08028-0A	M4	174	6	93892-05032-18	2-B2	204	19
90131-883-000	E14	56	9		F15	73	11					92301-04006-0A	I11	117	32		2-B4	206	14
90131-ZE3-790	F1	59	24	90603-ZV4-000	M11	181	20						J14	136	21	93893-05016-00	I11	117	30
	2-E3	253	70	90604-ZV5-822	2-E10	260	23	91001-ZF6-003	G3	77	12		2-B15	217	36		J3	125	28
	2-E4	254	6	90605-230-000	I9	115	27	91002-ZG4-801	2-B3	205	21	92301-05016-0A	2-C2	220	11		K1	139	34
90142-MB0-000	L1	155	13		J3	125	25	91006-MT3-003	2-D4	238	11	92800-12000	F1	59	25		2-B14	216	28
90183-671-003	M2	172	9		J14	136	20	91009-KJ1-003	F13	71	17		2-E3	253	71	93901-360J0	L13	167	27
90201-415-000	K11	149	12		K1	139	32		2-D4	238	11	92900-08022-0B	E5	47	13	94000			
	K14	152	8		K5	143	30	91102-GE0-003	F13	71	21	92900-08032-0E	E5	47	13				
	L1	155	14		2-B13	215	25	91201-890-003	2-D4	238	12	93000				94001-03000-0S	J9	131	49
90201-ZE3-790	N1	187	10		2-E3	253	57	91201-ZE3-004	E15	57	12						2-E2	252	38
	N3	189	6	90621-766-801	2-E10	260	24		F9	67	17	93404-06020-08	K13	151	15	94001-04390-0S	2-C11	229	26
90201-ZE3-V00	N1	187	10	90624-SB0-003	L3	157	11		F15	73	13		K14	152	11		2-C14	232	23
90203-PB2-000	K12	150	13	90627-ZA8-E50	2-E2	252	32	91203-952-771	E15	57	13		L1	155	17	94001-05000-0S	2-E2	252	39
	K14	152	9	90630-751-000	2-C10	228	21	91208-MS2-611	2-E9	259	15	93494-06020-08	K13	151	15	94001-08000-0S	M4	174	7
	L1	155	15		2-C14	232	19	91301-805-000	F16	74	14		K15	153	11	94001-08200-0S	2-B3	205	22
90203-ZA0-800	K12	150	13		2-E4	254	20	91302-ZV5-821	2-E11	261	26		L1	155	17	94050-05000	L3	157	12
	K14	152	9	90650-SD9-003	J9	131	46	91303-800-000	F14	72	27	93500-03006-1H	I11	117	28	94050-06000	J9	131	50
	L1	155	15		K3	141	26	91303-ZV5-821	2-E11	261	27		J3	125	26		K13	151	16
90206-ZE1-000	G13	87	16	90654-SA4-003	H10	100	16	91304-ZV5-821	2-E11	261	28		K1	139	25		K15	153	12
90301-782-000	L13	167	23	90658-SA0-003	E5	47	15	91306-ZV5-821	2-E11	261	29		K5	143	32		L1	155	18
90302-KF9-900	L13	167	24	90672-SA0-003	2-C10	228	22	91307-ZV5-821	2-E11	261	30		I10	116	28		L3	157	17
	2-E3	253	53		2-C14	232	20	91308-ZV5-821	2-E11	261	31	93500-03008-1G	J3	125	26		L4	158	14
90325-044-000	K12	150	14	90674-ZE3-L60	L4	158	12	91309-ZV5-821	2-E11	261	32		J3	125	26				
	K14	152	10	90683-SA0-003	H10	100	16	91310-ZV5-821	2-E11	261	33	93500-03012-0H	2-C10	228	24		L5	159	10
	L1	155	16		2-C4	222	9	91311-ZV5-822	2-E11	261	34		2-E3	253	67		L6	160	13
	L4	158	11	90683-SB2-781	2-E7	257	8	91316-ZV5-821	2-E11	261	35	93500-04006-0H	I11	117	29		2-B15	217	29
	L5	159	8	90684-ZA0-601	H11	101	17	91317-ZV5-821	2-E11	261	36		J3	125	27		2-B16	218	13
	L6	160	9		M14	184	16	91351-766-801	2-E11	261	37		K1	139	33		2-C1	219	13
90380-MA6-010	2-C9	227	20		N8	194	18	91353-671-004	E15	57	14		K5	143	33		2-C2	220	13
	2-C14	232	18		N12	198	14		M9	179	15		2-B13	215	26		2-E3	253	74
90401-ZV5-822	2-E10	260	21		2-E3	253	63	91406-166-000	H11	101	22		2-E3	253	58		2-E3	253	74
90402-ZV5-821	2-E10	260	22	90690-SA0-003	2-C4	222	10		N8	194	21	93500-04012-0H	2-C11	229	25	94050-06080	2-E8	258	3
90431-ZE2-700	J9	131	42	90691-ZB7-003	2-C4	222	11	91406-657-671	2-B15	217	34		2-C14	232	22	94050-08000	L4	158	15
	K2	140	22	90700-ZB7-000	2-C4	222	12	91406-671-000	E15	57	15	93500-04016-0A	L4	158	13		L14	168	28
90432-ZE2-700	J9	131	43	90701-HC4-000	F9	67	16		2-D16	250	8	93500-05008-0A	2-C3	221	5		M1	171	10
	K2	140	23		F13	71	16	91406-729-000	E15	57	16		2-E2	252	37		M3	173	10
90433-ZE2-700	J9	131	44		F15	73	12	91406-ZB3-740	2-E7	257	9	93500-05012-0A	J9	131	47		M9	179	17
	K2	140	24	90741-805-000	G2	76	11	91406-ZB4-000	2-E2	252	34		K3	141	27		2-C1	219	14
90434-ZE2-700	J9	131	45		2-D4	238	10		2-E3	253	66	93500-05016-0A	I11	117	30		2-E3	253	74
	K2	140	25	90741-889-810	G2	76	11	91406-ZE2-003	2-C10	228	23		2-B15	217	28		2-E5	255	24

PART NO. INDEX

Part Number	Address	Page	Ref.	Part Number	Address	Page	Ref.	Part Number	Address	Page	Ref.	Part Number	Address	Page	Ref.
94050-10000	E16	58	17	95001-55200-40	M10	180	18		F14	72	29	99000			
94070-06080	2-B2	204	20	95001-55240-40	M10	180	18		F16	74	16				
94101-04800	2-C11	229	30	95002-02070	J10	132	57		2-D4	238	15	99001-10120	2-D14	248	18
	2-C15	233	27		K3	141	33	95701-08045-00	F14	72	29		2-D15	249	7
94101-05000	2-B15	217	37		2-E7	257	3	95701-08070-00	2-E3	253	43	99001-10140	2-D14	248	19
94101-06000	L4	158	16	95002-02079	K1	139	35	95701-08080-08	2-E8	258	5		2-D15	249	8
	2-D14	248	26	95002-02080	J10	132	58	95725-10080-00	E5	47	17	99001-14170	2-D14	248	20
94101-06800	F10	68	18		J15	137	27	95801-08020-18	2-E3	253	44	99003-20000	2-D14	248	28
	F13	71	18		M11	181	20					99003-30000	2-D14	248	21
	F16	74	15			21		95900-08025-00	M11	181	22	99003-50000	2-D14	248	22
94103-05000	J9	131	51		M13	183	20	95900-08040-00	2-D3	237	7	99004-21003	2-D14	248	23
	K3	141	29		M14	184	17		2-D4	238	15	99005-01000	2-D14	248	14
94103-05700	L14	168	29	95002-02100	M14	184	18	96000				99008-02000	2-D14	248	24
94103-08000	M3	173	11	95002-02120	M14	184	19					99008-02300	2-D14	248	24
94109-12000	E16	58	18	95002-40800-08	J10	132	59						2-D15	249	9
94111-03800	J9	131	52		2-E7	257	4	96100-62020-00	F1	59	21	99101-ZF5-0980	J10	132	63
94111-04800	2-C11	229	27	95002-45000	L3	157	13		F11	69	20	99101-ZF5-1000	I11	117	33
	2-C15	233	24	95002-70000	M11	181	21		F13	71	20		J10	132	63
94111-05000	L14	168	30	95003-09023-31	L3	157	14		F16	74	17	99101-ZF5-1020	I11	117	33
94111-08000	2-B3	205	23	95003-09038-31	L3	157	15	96100-62040-00	F13	71	21		J10	132	63
94251-06000	2-D14	248	27	95003-25003-20	2-C1	219	15	96100-62060-00	2-D5	239	16	99101-ZF5-1050	I11	117	33
94251-08000	E16	58	19	95005-11105-30	E3	45	7	96100-62070-00	F11	69	21	99101-ZF5-1100	I11	117	33
94251-10000	F1	59	19	95005-35030-10	J10	132	61		F13	71	22	99101-ZF5-1120	I11	117	33
94252-08000	2-D14	248	17		2-E7	257	5		F16	74	18	99101-ZF5-1150	I11	117	33
94301-06100	2-E8	258	4	95005-35055-10	J10	132	60		2-D5	239	16	99101-ZH7-0880	I12	118	33
94301-08140	2-D4	238	14	95005-35075-10	J10	132	60	96100-63020-00	2-D5	239	16	99101-ZH7-0900	I12	118	33
94301-12200	E5	47	16	95005-35080-20	K1	139	36	96205-04005	I16	122	41		J14	136	23
94305-20062	2-C3	221	6	95005-35130-10	J10	132	61	98000				99101-ZH7-0920	I12	118	33
94305-20122	I11	117	31		K3	141	34						J14	136	23
	J3	125	29	95005-35220-10	K3	141	35	98079-52876	E7	49	18	99101-ZH7-0950	I12	118	33
	J12	134	11	95005-35495-11	J10	132	60	98079-54841	E5	47	18		J14	136	23
94540-02010	J9	131	53	95005-35530-11	2-E7	257	6	98079-54846	E5	47	18	99101-ZH7-0980	I12	118	33
	K3	141	30	95005-35695-10	J10	132	62	98079-55841	E5	47	18		J10	132	63
94540-03018	2-B16	218	14	95005-35710-10	2-E7	257	7		E9	51	18	99101-ZH7-1000	I12	118	33
94540-04010	J9	131	54	95012-17001	2-E3	253	55	98079-55846	E7	49	18		J10	132	63
	K3	141	31	95701-06008-00	H4	94	14	98079-55854	E5	47	18	99101-ZH7-1020	J11	133	63
94540-07010	J9	131	55		H11	101	19	98079-55854	E9	51	18		I13	119	33
	K3	141	32	95701-06010-00	M3	173	12		E8	50	18	99101-ZH8-0880	J11	133	63
				95701-06012-00	F1	59	20	98079-55855	E8	50	18		I13	119	33
95000					F14	72	28	98079-56841	E6	48	18	99101-ZH8-0900	I14	120	33
					M3	173	12	98079-56846	E9	51	18		J11	133	63
95001-35025-40	I16	122	40	95701-06016-00	2-B15	217	38	98079-56854	E9	51	18	99101-ZH8-0920	I13	119	33
95001-45120-40	M10	180	19	95701-06020-00	2-E3	253	41		E6	48	18		I14	120	33
95001-45150-40	M9	179	13			68		98079-56855	E9	51	18		J11	133	63
	M11	181	31	95701-06022-00	M13	183	21		E7	49	18		J14	136	23
	M13	183	19	95701-06025-00	N9	195	22	98200-30500	E9	51	18	99101-ZH8-0950	I13	119	33
95001-45165-40	M13	183	19	95701-06035-08	L6	160	14		2-C4	222	13		I14	120	33
95001-45180-40	M10	180	19	95701-06040-08	2-E3	253	42		2-C11	229	28		J14	136	23
95001-45190-40	M13	183	19	95701-08016-00	N3	189	9	98200-31000	2-E3	253	45		K1	139	27
	2-E2	252	40	95701-08016-08	M3	173	13		2-C4	222	14	99101-ZH8-0980	I13	119	33
95001-45235-40	M10	180	18	95701-08020-00	M3	173	14		2-E3	253	45		I14	120	33
95001-45250-40	M10	180	19	95701-08025-00	M11	181	22	98200-31500	2-C11	229	28		J10	132	63
	M13	183	19		2-D3	237	7		2-C15	233	25		J11	133	63
95001-45260-40	J15	137	26	95701-08028-00	M11	181	22	98200-32000	2-D15	249	6		J14	136	23
	M13	183	19	95701-08030-00	L4	158	17	98200-32500	2-C11	229	28		K1	139	27
	2-E2	252	40	95701-08035-08	2-B2	204	21		2-C15	233	25	99101-ZH8-1000	I12	118	33
95001-45300-40	J9	131	56		2-B4	206	15						I14	120	33
95001-45360-40	2-E4	254	19	95701-08040-00	F11	69	19						J3	125	30
95001-45430-40	M10	180	18		F13	71	19						J11	133	63

PART NAME INDEX

Part name	Address	Page	Ref.	Part name	Address	Page	Ref.	Part name	Address	Page	Ref.
[A]				BEARING, RADIAL BALL, 6204	F13	71	21	BOLT, FLANGE, 6X25	N9	195	22
ALERT UNIT, OIL	F1	59	22	BEARING, RADIAL BALL, 6206	2-D4	238	11	BOLT, FLANGE, 6X28	N8	194	17
	H6	96	2		2-D5	239	16		N10	196	9
	H11	101	20	BEARING, RADIAL BALL, 6207	F11	69	21		N12	198	13
	2-C5	223	1		F13	71	22	BOLT, FLANGE, 6X32	N7	193	14
	2-C11	229	29		F16	74	18	BOLT, FLANGE, 6X35	L6	160	14
	2-C12	230	1		2-D5	239	16		N8	194	16
	2-C15	233	26	BEARING, RADIAL BALL, 6207S ...	G3	77	12		N12	198	12
ARMATURE COMP.	N14	200	2	BEARING, RADIAL BALL, 6302	2-D5	239	16	BOLT, FLANGE, 6X40	N7	193	14
	2-B3	205	6	BOLT-WASHER, 5X14	2-B1	203	18		N8	194	16
	2-B4	206	1	BOLT-WASHER, 6X20	K13	151	15		N10	196	7
ARM COMP., GOVERNOR	2-B5	207	1		K14	152	11		N11	197	10
	2-B16	218	1		K15	153	11		N12	198	12
ARM, GOVERNOR	2-B5	207	2		L1	155	17		N13	199	5
	2-C1	219	2	BOLT-WASHER, 6X22	H11	101	19		2-E3	253	42
	2-C2	220	1		K13	151	15	BOLT, FLANGE, 6X8	H4	94	14
ARM, VALVE ROCKER	G10	84	3		K15	153	11		H11	101	19
ARRESTER, SPARK	L10	164	8		L1	155	17	BOLT, FLANGE, 8X16	M3	173	13
	L16	170	6		L5	159	9		N3	189	9
	M2	172	8	BOLT, BATTERY SETTING, 220MM ..	2-C16	234	3	BOLT, FLANGE, 8X20	M3	173	14
[B]				BOLT, BATTERY TERMINAL	2-C16	234	9		2-E3	253	44
BAG SET, TOOL	2-D13	247	6	BOLT, CONNECTING ROD	G8	82	5				69
BAG, TOOL, 200MM	2-D14	248	24	BOLT, DRAIN PLUG, 12MM	F1	59	25	BOLT, FLANGE, 8X25	M11	181	22
BAG, TOOL, 230MM	2-D14	248	24		2-E3	253	71		2-D3	237	7
	2-D15	249	9	BOLT, DRAIN PLUG, 12X15	E14	56	9	BOLT, FLANGE, 8X28	M11	181	22
BALL, STEEL	2-E10	260	25	BOLT, ENGINE P.T.O.	N3	189	5	BOLT, FLANGE, 8X30	L4	158	17
BAND	2-C8	226	12	BOLT, FLANGE, 10X80	E5	47	17	BOLT, FLANGE, 8X35	2-B2	204	21
	2-C13	231	13	BOLT, FLANGE, 5X10	F16	74	20		2-B4	206	15
BAND F, BATTERY	2-E3	253	55		2-D16	250	5	BOLT, FLANGE, 8X40	F11	69	19
BAND, CONNECTING TUBE	L4	158	9	BOLT, FLANGE, 6X10	H5	95	14		F13	71	19
BAND, TOOL SETTING	2-D13	247	7		H11	101	19		F14	72	29
BAND, WIRE	L4	158	12		M3	173	12		F16	74	16
BAND, WIRE HARNESS	2-E10	260	24	BOLT, FLANGE, 6X12	E14	56	8		2-D4	238	15
BARREL ASSY., CYLINDER	E10	52	1		F1	59	20	BOLT, FLANGE, 8X45	F14	72	29
	E11	53	1					BOLT, FLANGE, 8X70	2-E3	253	43
BAR A, HANDLE	2-D14	248	14		F14	72	28	BOLT, FLANGE, 8X80	2-E8	258	5
BASE COMP., CONTROL	2-B11	213	15	BOLT, FLANGE, 6X14	H10	100	15	BOLT, GOVERNOR ARM	2-B13	215	22
BASE COMP., MUFFLER COVER	L11	165	14		L12	166	18		2-B16	218	11
	2-E3	253	49		M3	173	12		2-C1	219	11
BASE, BATTERY	2-D2	236	8		N7	193	15		2-C2	220	10
BASE, BATTERY TRAY	2-C16	234	5		N8	194	16	BOLT, HEAD COVER	E4	46	11
BASE, CORD CLIP	2-C4	222	12		N10	196	8	BOLT, HEX., 10X25	G3	77	13
BASE, HARNESS CLIP	2-E4	254	11		N11	197	11		2-D4	238	13
BATTERY	2-D2	236	9		N13	199	6	BOLT, HEX., 10X283	2-D16	250	6
BEARING A	2-B3	205	21		2-B12	214	21	BOLT, HEX., 3/8-24UNF	G3	77	13
BEARING A, CONNECTING ROD	G8	82	7		2-B16	218	10	BOLT, HEX., 5X12	2-B15	217	35
BEARING B	2-B3	205	9	BATTERY	2-C1	219	10	BOLT, HEX., 8X25	G3	77	13
BEARING B, CONNECTING ROD	G8	82	7		2-C2	220	9		2-D3	237	7
BEARING C, CONNECTING ROD	G8	82	7		2-C3	221	4		2-D4	238	13
BEARING D, CONNECTING ROD	G8	82	7		2-C9	227	19	BOLT, HEX., 8X28	M4	174	6
BEARING, RADIAL BALL, 6202 ...	F1	59	21		2-C14	232	17	BOLT, PIVOT, 8MM	G13	87	15
	F11	69	20		2-E3	253	65	BOLT, RECESSED, 4X6	I11	117	32
	F13	71	17	BOLT, FLANGE, 6X14	2-E4	254	17		J14	136	21
									2-B15	217	36
	F16	74	17					BOLT, RECESSED, 5X16	2-C2	220	11
	2-D4	238	11	BOLT, FLANGE, 6X16				BOLT, SOCKET	2-E10	260	19
				BOLT, FLANGE, 6X20							20
								BOLT, STUD, 8X106	E4	46	12
				BOLT, FLANGE, 6X22	M13	183	21	BOLT, STUD, 8X111	E4	46	12

PART NAME INDEX

Part name	Address	Page	Ref.	Part name	Address	Page	Ref.	Part name	Address	Page	Ref.	
BOLT, STUD, 8X123	E4	46	12	CAP, CHOKE LEVER	K4	142	17	CLAMP, TUBE	2-E7	257	4	
BOLT, STUD, 8X131.5	E4	46	12	CAP, LENS	2-E2	252	22	CLIP	2-E2	252	32	
BOLT, STUD, 8X22	E5	47	13	CAP, LEVER	K4	142	25		2-E7	257	8	
BOLT, STUD, 8X32	E5	47	13	CAP, MUFFLER	L9	163	6	CLIP A, AIR CLEANER WIRE	L2	156	7	
BOLT, STUD, 8X34	E4	46	13		M1	171	11	CLIP B, AIR CLEANER WIRE	L3	157	8	
BOLT, STUD, 8X40	E5	47	13	CAP, OIL FILLER	F4	62	6	CLIP B, HARNESS	2-E4	254	12	
BOLT, STUD, 8X47	E5	47	13		F12	70	6	CLIP, BREATHER TUBE	E3	45	10	
BOLT, THROUGH	2-B3	205	13		F15	73	4		E9	51	20	
BOX ASSY., CONTROL	2-C5	223	3	CAP, OIL HOLE	2-E10	260	1	CLIP, GOVERNOR HOLDER	F9	67	15	
			4				2		F13	71	15	
	2-C6	224	4	CAP, PRE AIR CLEANER	L1	155	11		F15	73	11	
	2-C7	225	4	CARBURETOR ASSY.	H16	106	9	CLIP, HARNESS	H11	101	17	
	2-C12	230	3		I1	107	9		M14	184	16	
			4		J1	123	9		N8	194	18	
			5		J5	127	8		N12	198	14	
	2-C13	231	5		J12	134	2		2-C4	222	11	
BOX, TOOL	2-D13	247	3		J13	135	9	CLIP, HEAD	2-E3	253	63	
BRACKET, CASE MOUNTING	2-C7	225	6		J16	138	9	CLIP, HIGH TENSION CORD	E15	57	16	
	2-C13	231	7		K2	140	1		H8	98	11	
BRACKET, CENTER	N15	201	5		K4	142	8	CLIP, PISTON PIN, 20MM	N5	191	3	
	2-B4	206	4		K6	144	1	CLIP, PURSE LOCK	G8	82	6	
BRACKET, FR.	N15	201	6	CASE COMP., AIR CLEANER	L2	156	3		2-C10	228	21	
	2-B4	206	5		L4	158	4		2-C14	232	19	
BRACKET, STRAINER CUP SETTING	M14	184	15	CASE COMP., FUSE	2-E2	252	18		2-E4	254	20	
BRUSH	N15	201	8	CASE COMP., PRE AIR CLEANER ...	L1	155	10	CLIP, TUBE	H6	96	4	
	2-B3	205	10	CASE COMP., RECOIL STARTER	G15	89	2		J10	132	57	
	2-B4	206	7	CASE, CONTROL	2-C7	225	5				58	
BULB, WEDGE BASE	2-E4	254	14		2-C13	231	6		J15	137	27	
BUSH, ARM PIVOT	J8	130	40		2-E1	251	2		K1	139	35	
	K2	140	21	CHAMBER SET, FLOAT	H13	103	4		K3	141	33	
BUSH, CHOKE LEVER	K5	143	31		H14	104	4		L3	157	13	
BUSH, CONTROL KNOB	2-E1	251	16		J1	123	4		M11	181	20	
					J4	126	4				21	
[C]					J13	135	4		M13	183	20	
					J16	138	4		M14	184	17	
CABLE ASSY., BONDING	2-E4	254	13		K4	142	4				18	
CABLE ASSY., EARTH	2-C16	234	8	CHOKE SET	H16	106	8				19	
	2-D2	236	7		J1	123	8		2-E7	257	3	
CABLE ASSY., STARTING	2-C16	234	6		J12	134	1	CLIP, VALVE GUIDE	E2	44	4	
	2-D2	236	4		J13	135	8	CLIP, WIRE	H11	101	22	
CAMSHAFT ASSY.	G9	83	1		J16	138	8		N8	194	21	
	G10	84	1	CIRCLIP, 5MM	I9	115	27		2-E1	251	1	
CAP ASSY., NOISE SUPPRESSOR ..	N5	191	2		J3	125	25	CLIP, WIRE HARNESS	E5	47	15	
	N11	197	2		J14	136	20		E15	57	15	
	N13	199	2		K1	139	32		J9	131	46	
CAP ASSY., OIL FILLER	F3	61	4		K5	143	30		K3	141	26	
	F4	62	5		2-B13	215	25		L3	157	11	
	F11	69	22		2-E3	253	57		2-B15	217	33	
			23	CIRCLIP, INTERNAL	2-E10	260	23				34	
	F12	70	4	CLAMPER, CORD	H11	101	21		2-D16	250	8	
			5		N5	191	6		2-E4	254	18	
CAP COMP., AIR CLEANER	K14	152	7				7	CLIP, WIRE HARNESS, 25MM	H10	100	16	
	L5	159	7		N10	196	3		2-C4	222	9	
CAP COMP., FUEL FILLER	M7	177	7		N11	197	4	CLIP, WIRE HARNESS, 6MM	H10	100	16	
			8				5	CLUTCH COMP., OVERRUNNING	N14	200	3	
	M12	182	9		N13	199	3		2-B3	205	7	
CAP, CHOKE DUST	J5	127	10	CLAMP, MASTER CYLINDER OIL					2-B4	206	2	
	K2	140	3		HOSE	2-E4	254	4	COCK ASSY., ELECTRIC FUEL	M14	184	5
	K4	142	10	CLAMP, TUBE	J10	132	59	COCK ASSY., FUEL	M11	181	25	



PART NAME INDEX

Part name	Address	Page	Ref.	Part name	Address	Page	Ref.	Part name	Address	Page	Ref.
COCK ASSY., FUEL	M12	182	2	CONTROL UNIT, SOLENOID	2-C4	222	5	[D]			
COIL ASSY., CHARGE	N6	192	10	CORD, EARTH	E14	56	5	DEFLECTOR COMP., MUFFLER	L11	165	11
	N7	193	11	CORD, STOP SWITCH	N7	193	12	DIAPHRAGM ASSY.	J7	129	34
	N10	196	5		N10	196	6		K2	140	16
	N11	197	7		N11	197	9	DIODE ASSY.	2-E1	251	9
			8	COUNTERSHAFT COMP.	2-D3	237	4				10
	N12	198	16	COUPLER COMP.	2-E1	251	12	DIODE ASSY., D.C.	2-E1	251	6
	N13	199	4	COVER	2-B3	205	12	DIODE ASSY., SOLENOID	2-C4	222	2
COIL ASSY., IGNITION	N4	190	1	COVER ASSY., CRANKCASE	F2	60	2	DIODE COMP., D.C.	2-E1	251	8
	N9	195	24		F3	61	2	DISK, FRICTION	2-E9	259	5
	N10	196	1		F12	70	2	DOWEL PIN, 12X20	E5	47	16
	N11	197	1		F15	73	2	DOWEL PIN, 6X10	2-E8	258	4
COIL ASSY., LAMP	N5	191	4	COVER ASSY., GEAR CASE	2-D3	237	1	DOWEL PIN, 8X12	F9	67	16
			5	COVER B, MAGNETIC SWITCH	2-D2	236	6		F13	71	16
	N6	192	10	COVER COMP., AIR CLEANER	K14	152	2		F15	73	12
	N11	197	3		K16	154	5	DOWEL PIN, 8X14	2-D4	238	14
COIL ASSY., PULSER	N13	199	1		L2	156	5	DRIVER 2, PLUS SCREW	2-D14	248	28
COIL COMP., IGNITION	2-E12	262	4					DRIVER 3, MINUS SCREW	2-D14	248	21
COIL, PULSER	N9	195	23		L4	158	18	[E]			
COLLAR B, AIR CLEANER	K11	149	10	COVER COMP., BRAKE	2-E9	259	9	ELBOW COMP., AIR CLEANER	K11	149	11
	K14	152	4	COVER COMP., FAN	H6	96	6		K13	151	18
	K16	154	8						K14	152	6
	L5	159	5		H7	97	7		K16	154	9
	L6	160	7		H11	101	23		L4	158	10
COLLAR SET	I15	121	35	COVER COMP., HEAD	E2	44	6		L5	159	6
	J6	128	12		E3	45	6		L6	160	8
	J12	134	4	COVER COMP., MUFFLER	L11	165	12	ELEMENT, AIR CLEANER	K8	146	2
	J13	135	12	COVER COMP., RR. MUFFLER	L11	165	13		K16	154	2
	K2	140	4	COVER, AIR CLEANER	K9	147	4		L2	156	1
	K4	142	12						L4	158	2
	K6	144	3		L4	158	6	EMBLEM	2-D6	240	2
COLLAR SET, CLUTCH STOP	2-B3	205	2		L5	159	3		2-D7	241	2
COLLAR, 10X16X53	2-E3	253	72		L6	160	4		2-D12	246	1
COLLAR, AIR CLEANER	K11	149	9	COVER, BATTERY	2-D2	236	3	END, LOCK	2-E4	254	21
	K13	151	17	COVER, BATTERY TERMINAL	2-D2	236	5	E-RING, 2MM	J9	131	53
	K14	152	3	COVER, CONTROL	L6	160	2		K3	141	30
	K16	154	7	COVER, DUCT	F16	74	19	E-RING, 3MM	2-B16	218	14
	L4	158	8	COVER, REACTOR	2-D16	250	1	E-RING, 4MM	J9	131	54
	L5	159	4	COVER, STARTER MOTOR TERMINAL	2-C16	234	7		K3	141	31
	L6	160	5	COVER, TERMINAL	2-B3	205	20	E-RING, 7MM	J9	131	55
			6	CRANKSHAFT COMP.	G1	75	1		K3	141	32
COLLAR, AIR CLEANER CASE	L7	161	1					EXTENSION COMP., OIL FILLER ...	F13	71	24
	2-E3	253	48		G3	77	14	[F]			
COLLAR, CONTROL BOX	2-E2	252	35	CUP ASSY., FUEL STRAINER	M14	184	10	FAN, COOLING	M15	185	1
COLLAR, LEVER	J9	131	45	CUP, FUEL STRAINER	I9	115	26		N3	189	1
	K2	140	25		K1	139	24	FAN, TRANSMISSION COOLING	2-E9	259	8
COLLAR, STOPPER	2-B11	213	20		K5	143	28	FILTER B	2-E10	260	7
	2-C2	220	14		M11	181	29	FILTER COMP., FUEL	M12	182	11
COLLAR, TANK CUSHION	M13	183	17		M12	182	6	FILTER, CUP	M11	181	28
CONTACTOR ASSY.	N14	200	1		M14	184	9		M12	182	5
CONTROL ASSY.	2-B7	209	6	CUSHION, C.D.I. UNIT	2-C4	222	1	FILTER, DRAIN TUBE	L3	157	10
	2-B8	210	6		2-E12	262	1	FILTER, FUEL	M8	178	10
			7		2-E12	262	2				
			8								
			9								
	2-B15	217	30								
	2-B16	218	5								
	2-C1	219	7								
	2-C2	220	5								

PART NAME INDEX

Part name	Address	Page	Ref.	Part name	Address	Page	Ref.	Part name	Address	Page	Ref.
FILTER, FUEL	M9	179	10	GEAR, REDUCTION	N16	202	11	HOLDER, CABLE.....	2-C2	220	6
	M12	182	11		2-B4	206	10	HOLDER, CHOKE CABLE.....	2-E4	254	9
	M14	184	12	GOVERNOR ASSY.	F5	63	9	HOLDER, CONTROL CABLE.....	L6	160	1
FILTER, OUTER	K9	147	3		F13	71	9		2-B15	217	32
	K16	154	3	GRID, AIR CLEANER	F15	73	5	HOLDER, FUEL FILTER.....	M9	179	12
FLANGE COMP., BAFFLE	L16	170	5		L4	158	3	HOLDER, GOVERNOR WEIGHT.....	F7	65	11
FLOAT SET	H13	103	3		L5	159	2		F13	71	11
	J1	123	3	GRIP	2-D13	247	9		F15	73	7
	J4	126	3	GRIP, CHANGE LEVER	2-E9	259	3	HOLDER, LENS.....	2-E2	252	24
	J13	135	2	GRIP, REINFORCEMENT	H3	93	12	HOLDER, STOP SWITCH CORD.....	N7	193	13
	J16	138	3	GRIP, SCREW DRIVER	2-D14	248	22		N12	198	15
	K4	142	3	GRIP, STARTER	H3	93	10		2-C11	229	31
FLYWHEEL COMP.	M16	186	5	GROMMET, AIR CLEANER	K9	147	6		2-C15	233	28
			6		K16	154	6		2-E3	253	62
	N1	187	7	GROMMET, CHOKE ROD	J8	130	36	HOLDER, THROTTLE CHANGE WIRE..	2-B16	218	7
			8		K2	140	18	HOLDER, WIRE.....	I5	111	19
			9	GROMMET, CORD	N6	192	8		J2	124	18
			9				9		J14	136	18
	N2	188	12		N10	196	4		K1	139	30
	N3	189	3		N11	197	6		K4	142	22
FRAME COMP., COMMUTATOR END ..	2-B3	205	15	GROMMET, CRANKCASE	2-E3	253	46		2-B11	213	19
FUSE, BLADE	2-C4	222	13	GROMMET, DRAIN HOLE	H9	99	14		2-E3	253	56
			14	GROMMET, FENDER	J8	130	41	HOSE, AIR CLEANER.....	L4	158	7
	2-C11	229	28		K3	141	38	HOUSING COMP., DRIVE SIDE.....	2-B3	205	8
	2-C15	233	25	GROMMET, HIGH TENSION CORD	N9	195	25				
	2-D15	249	6	GROMMET, MAIN CORD	2-E1	251	4	[I]			
	2-E3	253	45	GROMMET, PULSER CORD	N6	192	8	INSULATOR.....	2-B1	203	15
[G]				GROMMET, SWITCH CORD	2-E1	251	5		2-B4	206	12
GASKET	M14	184	8	GROMMET, TUBE	2-E2	252	36	INSULATOR, BRUSH HOLDER.....	2-B3	205	19
GASKET KIT	2-E13	263	1	GROMMET, WIRE CORD	M14	184	13	INSULATOR, CARBURETOR.....	I3	109	13
	2-E14	264	1	GUARD, FR. BATTERY	2-C16	234	11		I15	121	36
GASKET SET	H12	102	1	GUARD, RR. BATTERY	2-D1	235	12		J2	124	12
	J1	123	1	GUIDE, CHOKE ROD	J8	130	37		J6	128	14
	J4	126	1		K2	140	19				15
	J13	135	7	GUIDE, EX. VALVE	E2	44	3		J12	134	5
	J16	138	1	GUIDE, IN. VALVE	E1	43	2		J14	136	14
	K4	142	1		E2	44	2		J16	138	13
GASKET, CYLINDER HEAD	E2	44	5	GUIDE, PRE AIR CLEANER	L1	155	12		K2	140	5
GASKET, EX. PIPE	L9	163	7	GUIDE, SPRING	2-E10	260	15		K4	142	14
	L10	164	7	GUIDE, UNDER AIR	2-D13	247	1		K6	144	4
	M1	171	12	[H]				[J]			
	M2	172	6	HANDLE, BOX WRENCH	2-D14	248	14	JET SET, PILOT,.....	I15	121	34
	M3	173	15		2-D15	249	5		J3	125	31
	M4	174	2	HARNES ASSY., ENGINE	N8	194	20		J11	133	64
			8	HARNES ASSY., SUB WIRE	2-C4	222	4		J14	136	24
	2-E4	254	23		2-C8	226	9		K1	139	28
GASKET, MUFFLER	L11	165	9		2-C13	231	10		K5	143	35
			10				11	JET, MAIN,.....	I11	117	33
	L16	170	7		2-E3	253	60		I12	118	33
			8	HEAD COMP., CYLINDER	E1	43	1		I13	119	33
GAUGE ASSY., FUEL	M6	176	5	HOLDER, BRUSH.....	N16	202	12		I14	120	33
GAUGE ASSY., THICKNESS	2-D13	247	10		2-B3	205	18		J3	125	30
GAUGE COMP., OIL LEVEL	F13	71	23		2-B4	206	11		J10	132	63
GEAR, COUNTER	2-D3	237	5	HOLDER, CABLE	I5	111	17		J11	133	63
GEAR, DRIVE PINION	N15	201	7		J2	124	16		J14	136	23
	2-B4	206	6		K1	139	29		K1	139	27
GEAR, PRIMARY DRIVE	2-D3	237	3		2-B9	211	13				



PART NAME INDEX

Part name	Address	Page	Ref.	Part name	Address	Page	Ref.	Part name	Address	Page	Ref.
JET, MAIN,	K3	141	36	LEVER, CHOKE SOLENOID	J7	129	23	MARK, SELECTOR INDICATION	2-D16	250	4
	K5	143	34	LEVER, COCK	I7	113	22	MARK, THROTTLE INDICATION	2-D9	243	9
JET, PILOT,	J12	134	12		J2	124	21				11
	K3	141	37		J16	138	20		2-E6	256	10
	K6	144	8	LEVER, CONTROL	K4	142	23	METER ASSY., FUEL	M12	182	7
JOINT, DRIVE	2-E10	260	5	LEVER, PINION DRIVE	2-B9	211	10	MOTOR ASSY., POWER TILT	2-E10	260	3
JOINT, FUEL TANK	M6	176	3	LEVER, THROTTLE	2-B3	205	4	MOTOR ASSY., STARTER	2-B3	205	3
JOINT, ROD	J7	129	25	LIFTER, VALVE	2-E4	254	1	MOTOR UNIT, STARTER	N14	200	4
	K2	140	11	L. TRANSMISSION SUB ASSY.	G10	84	4		N15	201	4
	2-C1	219	1		2-E8	258	2	MUFFLER COMP.	2-B4	206	3
[K]				[M]					L7	161	2
KEY ASSY., COMBINATION SWITCH	2-E5	255	28	MARK A, COMBINATION	2-D7	241	4		L16	170	1
KEY COMP.	2-C9	227	14	MARK B, COMBINATION	2-D10	244	20		M2	172	1
	2-C13	231	15	MARK, AIR CLEANER	2-D9	243	13		M4	174	1
	2-E1	251	15		2-D10	244	18	[N]			
KEY, 6.3X6.3X33	2-D4	238	10		2-D11	245	25	NOSE, SILENCER	K9	147	7
KEY, 6.3X6.3X43	G2	76	11		2-E6	256	14		K10	148	8
	2-D4	238	10	MARK, AIR CLEANER CAUTION	2-D7	241	6	NOZZLE, MAIN	I2	108	11
KEY, 7X7X33	G2	76	11	MARK, AIR CLEANER SALES POINT ..	2-D9	243	13		I3	109	11
	2-D4	238	10		2-D12	246	9		J2	124	11
KEY, 7X7X40	2-D4	238	10	MARK, CAUTION	2-D7	241	3		J5	127	11
KEY, SPECIAL WOODRUFF, 25X18 ..	N2	188	11				4		J6	128	11
	N3	189	8				5		J13	135	11
KNOB, CHANGE LEVER GRIP	2-E9	259	4		2-D10	244	22		J16	138	11
KNOB, COCK LEVER	2-B16	218	9		2-D12	246	2		K4	142	11
	2-E1	251	13				6	NUT-WASHER, 6MM	2-B2	204	20
							13	NUT, AIR CLEANER COVER	K12	150	13
[L]							13		K14	152	9
LABEL	2-D10	244	21	MARK, CHOKE	2-D7	241	7		L1	155	15
	2-D12	246	10		2-D8	242	7	NUT, BATTERY TERMINAL	2-C16	234	10
LABEL, AIR CLEANER CAUTION ...	2-D9	243	12		2-D10	244	16	NUT, CAP, 6MM	K11	149	12
	2-D12	246	8				24		K14	152	8
	2-E6	256	12				30	NUT, FLANGE, 10MM	L1	155	14
LABEL, CAUTION	2-D7	241	4				4	NUT, FLANGE, 5MM	E16	58	17
			5				8		L3	157	12
			15				9	NUT, FLANGE, 6MM	2-B3	205	17
	2-D10	244	15				17		J9	131	50
	2-D12	246	3	MARK, CONTROL BOX	2-C9	227	18		K13	151	16
	2-E6	256	7		2-C13	231	16		K15	153	12
LABEL, FUEL CAUTION	2-D10	244	14	MARK, EMERGENCY SWITCH					L1	155	18
	2-D11	245	27	INDICATION	2-D6	240	2		L3	157	17
			29		2-D9	243	11		L4	158	14
LABEL, FUEL WARNING	2-D7	241	3	MARK, EX. CAUTION	2-D10	244	23		L5	159	10
LABEL, FUSE	2-C4	222	8		2-E6	256	15		L6	160	13
LABEL, SPECIFICATION	2-D8	242	8				16		2-B15	217	29
	2-D9	243	8	MARK, FUEL	2-D9	243	13		2-B16	218	13
	2-D12	246	5		2-D11	245	28		2-C1	219	13
LENS	2-E2	252	21		2-D12	246	12		2-C2	220	13
LENS ASSY., PROTECTOR	2-C9	227	16	MARK, OIL ALERT	2-D9	243	9		2-E3	253	74
	2-E2	252	20				10		2-E8	258	3
LEVER COMP., CHOKE	I6	112	20		2-D10	244	17	NUT, FLANGE, 8MM	L4	158	15
	J2	124	19		2-D12	246	5		L14	168	28
	J12	134	9				6		M1	171	10
LEVER COMP., THROTTLE	2-C3	221	2				7		M3	173	10
LEVER, CHOKE	J7	129	24		2-E6	256	11		M9	179	17
	K2	140	10	MARK, OIL CAUTION	2-D9	243	8		2-C1	219	14
	K4	142	21		2-D10	244	19				

PART NAME INDEX

Part name	Address	Page	Ref.	Part name	Address	Page	Ref.	Part name	Address	Page	Ref.
NUT, FLANGE, 8MM	2-E3	253	74	[P]				PIN, GOVERNOR WEIGHT.....	F13	71	12
	2-E5	255	24						F15	73	8
NUT, HEX., 3MM	J9	131	49	PACKING	2-B1	203	17	PIN, LOCK, 10MM.....	F1	59	19
	2-E2	252	38		2-B4	206	13	PIN, LOCK, 6MM.....	2-D14	248	27
NUT, HEX., 4MM	2-C11	229	26	PACKING, AIR CLEANER	J7	129	33	PIN, LOCK, 8MM.....	E16	58	19
	2-C14	232	23		J15	137	25		2-D14	248	17
NUT, HEX., 5MM	L13	167	24		J16	138	18	PIN, PISTON.....	G6	80	3
	2-E2	252	39		K2	140	15	PIN, ROLLER ARM, 8X22.....	2-D14	248	16
	2-E3	253	53		L4	158	1	PIN, SPRING, 2X12.....	I11	117	31
NUT, HEX., 8MM	M4	174	7	PACKING, AIR CLEANER COVER	K16	154	4		J3	125	29
	2-B3	205	16	PACKING, CARBURETOR	I4	110	15		J12	134	11
			22		I5	111	15	PIN, SPRING, 2X6.....	2-C3	221	6
NUT, OIL FILLER	F14	72	26		J2	124	14	PIPE, BOX WRENCH EXTENSION.....	2-D14	248	15
NUT, PIVOT ADJUSTING	G13	87	16		J6	128	16	PIPE, EX.....	L9	163	5
NUT, RING	M14	184	7		J12	134	7		L16	170	4
NUT, SELF-LOCK, 6MM	2-B13	215	24		J14	136	15		M2	172	5
NUT, SPECIAL, 16MM	N1	187	10		J16	138	14	PISTON.....	G5	79	2
	N3	189	6		K2	140	6		G6	80	2
NUT, TOOL BOX SETTING	K12	150	14		K4	142	15	PIVOT, ROCKER ARM.....	G10	84	5
	K14	152	10		K6	144	6	PLATE A, BRAKE.....	2-E9	259	12
	L1	155	16	PACKING, CASE COVER	F3	61	3	PLATE B, BRAKE.....	2-E9	259	13
	L4	158	11		F12	70	3	PLATE COMP., CONTROL.....	2-C1	219	8
	L5	159	8		F15	73	3	PLATE, BATTERY.....	2-C16	234	4
	L6	160	9	PACKING, CHAIN CASE COVER.....	2-D3	237	2	PLATE, BATTERY GUARD.....	2-C16	234	1
NUT, U, 6MM	L13	167	23	PACKING, ELBOW.....	K7	145	1	PLATE, BATTERY SETTING.....	2-C16	234	2
NUT, WING, 6MM	K12	150	13		K14	152	1		2-D2	236	2
	K14	152	9		K16	154	1	PLATE, BRAKE FRICTION.....	2-E9	259	10
	L1	155	15	PACKING, FUEL COCK	I9	115	25	PLATE, COOLING FAN SETTING.....	M15	185	2
					J3	125	24	PLATE, EXTENSION.....	F13	71	25
[O]					K1	139	23	PLATE, FUEL INDICATION.....	2-D11	245	26
OIL SEAL, 30X46X8	2-D4	238	12	PACKING, FUEL FILLER CAP	K5	143	27		2-D12	246	12
OIL SEAL, 35X52X8	E15	57	12		M8	178	9	PLATE, FUEL TANK HANGER.....	M14	184	14
	F9	67	17	PACKING, FUEL STRAINER CUP	M12	182	10	PLATE, HEAT SINK.....	2-E1	251	11
	F15	73	13		I3	109	12	PLATE, LEVER SETTING.....	I7	113	23
OIL SEAL, 8X14X5	E15	57	13		J16	138	12		I8	114	23
OIL SEAL, 8X16X6	2-E9	259	15		K4	142	13		J2	124	22
O-RING	M11	181	27		M11	181	24		K1	139	21
	M12	182	4	PACKING, HEAD COVER	M12	182	1		K4	142	24
	2-E11	261	26	PACKING, INSULATOR	E3	45	8	PLATE, OIL LEVEL SWITCH.....	E13	55	3
			27		I5	111	16	PLATE, PUSH ROD GUIDE.....	G13	87	14
			28		J2	124	15	PLATE, SET.....	L11	165	16
			29		J6	128	17	PLUG C.....	2-E10	260	13
			30		J12	134	8	PLUG, CONE TYPE.....	L6	160	10
			31		J14	136	16	PLUG, CONE TYPE, 4X5.....	I16	122	41
			32		J16	138	15	PLUG, OIL DRAIN.....	F1	59	24
			33		K2	140	7		2-E3	253	70
			34		K4	142	16		2-E4	254	6
			35	PACKING, OIL FILLER CAP	K6	144	7	PLUG, SEALING.....	E15	57	11
			36		F5	63	7	PLUG, SPARK.....	E5	47	18
			37				8		E6	48	18
O-RING, 14MM	E15	57	14		F12	70	7		E7	49	18
	M9	179	15				8		E8	50	18
O-RING, 16MM	F14	72	27	PANEL COMP., CONTROL	F13	71	8		E9	51	18
O-RING, 26X2.7	F16	74	14		2-C7	225	7	PLUG, USELESS HOLE.....	H9	99	14
O-RING, AIR CLEANER	2-E4	254	8		2-C13	231	8	PROTECTOR COMP., FAN COVER.....	H7	97	8
				PANEL, CONTROL BOX	2-C9	227	18	PROTECTOR COMP., MUFFLER.....	L7	161	3
				PAN, CLEANER OIL	K14	152	5		L8	162	3
				PIN, FLAT, 6X27.5	2-D14	248	25	PROTECTOR, CIRCUIT.....	2-C9	227	15
				PIN, GOVERNOR WEIGHT	F7	65	12		2-E2	252	19



PART NAME INDEX

Part name	Address	Page	Ref.	Part name	Address	Page	Ref.	Part name	Address	Page	Ref.
PROTECTOR, EX. PIPE	L8	162	4	R. TRANSMISSION SUB ASSY.	2-E8	258	1	SCREW, PAN, 4X6	J3	125	27
PROTECTOR, L. MUFFLER	L16	170	3						K1	139	33
PROTECTOR, MUFFLER INNER	M2	172	3	[S]					K5	143	33
PROTECTOR, MUFFLER OUTER	M2	172	2						2-B13	215	26
PROTECTOR, R. MUFFLER	L16	170	2	SCREEN, FUEL STRAINER	M11	181	26		2-E3	253	58
PULLEY COMP., STARTER	M16	186	3		M12	182	3	SCREW, PAN, 5X12	J9	131	47
PULLEY, RECOIL STARTER	G15	89	3	SCREW-WASHER	2-E10	260	18		K3	141	27
PULLEY, STARTER	M16	186	4	SCREW-WASHER, 3X25	2-D16	250	7	SCREW, PAN, 5X16	I11	117	30
PULLEY, WHEEL DRIVE	N3	189	2	SCREW-WASHER, 4X6	2-B1	203	16		2-B15	217	28
PUMP	2-E10	260	6	SCREW-WASHER, 5X12	J9	131	48	SCREW, PAN, 5X16.5	L1	155	13
					J14	136	22	SCREW, PAN, 5X32	H11	101	18
[R]					L13	167	25		2-B14	216	27
RATCHET, STARTER	G16	90	4	SCREW-WASHER, 5X14	2-E3	253	54		2-B15	217	31
RECTIFIER ASSY., REGULATOR ...	N8	194	19	SCREW-WASHER, 5X16	2-B1	203	18		2-B16	218	12
	2-C5	223	2		I11	117	30		2-C2	220	12
	2-C12	230	2		J3	125	28	SCREW, PAN, 5X35	2-B14	216	27
	2-C13	231	9		K1	139	34		2-B15	217	31
	2-E3	253	59		L6	160	12	SCREW, PAN, 5X45	2-B14	216	27
	2-E5	255	26	SCREW-WASHER, 5X32	2-B14	216	28	SCREW, PAN, 5X8	2-C3	221	5
RECTIFIER ASSY., SILICON	2-E7	225	8		2-B2	204	19		2-E2	252	37
	2-E1	251	7	SCREW-WASHER, 6X20	2-B4	206	14	SCREW, PAN, 6X8	L6	160	11
	2-E3	253	64	SCREW SET	L13	167	26	SCREW, RECESSED, 5X25	2-B13	215	23
RECTIFIER COMP., REGULATOR ...	2-E4	254	10		H15	105	7		2-C2	220	15
RECTIFIER COMP., SILICON	2-C4	222	3		I16	122	39	SCREW, SPECIAL, 6X12	2-C9	227	20
RETAINER, EX. VALVE SPRING ...	G12	86	11		J1	123	7		2-C14	232	18
RETAINER, IN. VALVE SPRING ...	G12	86	10		J4	126	5	SCREW, TAPPING, 4X6	L13	167	22
			11		J5	127	5		L15	169	31
RETAINER, SPRING	H2	92	8				7		M1	171	13
RING SET, PISTON	G4	78	1		J13	135	3		2-E4	254	5
RING, BACK UP	2-E10	260	8				6	SCREW, TAPPING, 4X8	M2	172	9
			11		J16	138	7		M3	173	9
RING, SNAP	2-B3	205	1		K4	142	5	SCREW, TAPPING, 5X25	L13	167	21
ROD ASSY., CONNECTING	G7	81	4	SCREW SET, DRAIN	H15	105	6		2-E3	253	51
ROD COMP., PISTON	2-E10	260	9		J1	123	6	SCREW, TAPPING, 5X8	L12	166	19
ROD, CHOKE	J7	129	27		J5	127	6		L15	169	31
	K2	140	12		J13	135	5		L16	170	9
	K4	142	18		J16	138	6		M1	171	9
ROD, CHOKE CONTROL	J8	130	35		K4	142	6				14
	K2	140	17	SCREW SET, PILOT	H15	105	5		2-E3	253	51
ROD, CHOKE SOLENOID	J7	129	26		J1	123	5	SCREW, TAPPING, 6X10	L13	167	27
ROD, GOVERNOR	2-B6	208	3		J16	138	5	SCREW, THROTTLE STOP	I2	108	10
	2-B16	218	2	SCREW, CENTER	H4	94	13		J1	123	10
	2-C1	219	3	SCREW, FLAT, 5X10	M9	179	16		J5	127	9
	2-C2	220	2		M13	183	18		J12	134	3
ROD, PUSH	G10	84	2	SCREW, GLOVE BOX	2-E2	252	30		J13	135	10
ROPE, RECOIL STARTER	H3	93	11	SCREW, LOCK PAN	2-C1	219	12		J16	138	10
ROTATOR, VALVE	G13	87	13	SCREW, PAN, 3X12	2-C10	228	24		K2	140	2
RUBBER, BOTTOM	E14	56	6		2-E3	253	67		K4	142	9
			7	SCREW, PAN, 3X6	I11	117	28		K6	144	2
RUBBER, CONTROL	2-E1	251	3		J3	125	26	SCROLL, GENERATOR FAN	H6	96	1
RUBBER, CONTROL BOX	2-E2	252	33		K1	139	25	SEAL, AIR CLEANER	L3	157	9
RUBBER, FUEL	M11	181	23		K5	143	32	SEAL, CHOKE LEVER	J9	131	43
			30	SCREW, PAN, 3X8	I10	116	28		K2	140	23
	M13	183	16		J3	125	26	SEAL, FAN COVER	H11	101	24
RUBBER, SUPPORTER	M5	175	1	SCREW, PAN, 4X12	2-C11	229	25	SEAL, FUEL FILLER NECK	M14	184	11
RUBBER, TANK CUSHION	M13	183	15		2-C14	232	22	SEAL, MUFFLER DUCT	M4	174	4
RUBBER, TANK MOUNTING	M11	181	32	SCREW, PAN, 4X16	L4	158	13				4
	M12	182	12	SCREW, PAN, 4X6	I11	117	29				5

PART NAME INDEX

Part name	Address	Page	Ref.	Part name	Address	Page	Ref.	Part name	Address	Page	Ref.
SEAL, MUFFLER PROTECTOR	M2	172	4	SPRING, GOVERNOR	2-B7	209	4	SUSPENSION, IGNITION COIL.....	2-E12	262	3
SEAL, RECOIL	H11	101	25		2-B16	218	3	SUSPENSION, WINKER RELAY.....	2-C4	222	6
SEAL, UNDER AIR GUIDE	2-D13	247	2		2-C1	219	5		2-D15	249	1
SEAL, VALVE STEM	G13	87	17					SWITCH ASSY., CHUTER COVER....	2-E9	259	7
SEAT, SPRING	2-E4	254	3		2-C2	220	3	SWITCH ASSY., COMBINATION.....	2-C8	226	13
SEAT, VALVE	2-E10	260	17	SPRING, LEVER	2-B9	211	11		2-C9	227	13
SEAT, VALVE SPRING	G13	87	12	SPRING, LINK	2-B16	218	8		2-C13	231	14
SEPARATOR, AIR CLEANER	L2	156	2	SPRING, MANUAL CHOKE	J7	129	32		2-E1	251	14
SHAFT A, BRAKE	2-E9	259	1		K2	140	14		2-E5	255	27
SHAFT B, BRAKE	2-E9	259	2	SPRING, RATCHET	H1	91	7	SWITCH ASSY., ENGINE KILL.....	2-E1	251	17
SHAFT, ENGINE P.T.O.	N3	189	4	SPRING, RETURN	I6	112	21	SWITCH ASSY., ENGINE STOP.....	H9	99	13
SHAFT, GOVERNOR ARM	E13	55	4		J2	124	20	SWITCH ASSY., FREQUENCY CHANGE	2-D16	250	3
SHAFT, P.T.O.	2-D3	237	6		J14	136	19	SWITCH ASSY., MAGNETIC	2-B3	205	5
SHAFT, SCREW DRIVER	2-D13	247	8		K1	139	31	SWITCH ASSY., NEUTRAL.....	2-E9	259	6
SHROUD	H8	98	10	SPRING, STARTER RETURN	H1	91	6	SWITCH ASSY., OIL LEVEL.....	E12	54	2
SHROUD ASSY., UPPER	H6	96	5	SPRING, THROTTLE LEVER	2-E4	254	2		E13	55	2
SHROUD COMP., LOWER	H7	97	9	SPRING, THROTTLE RETURN	K4	142	19	SWITCH ASSY., STARTER MAGNETIC	2-E5	255	29
SLEEVE	2-E10	260	12		2-B7	209	5	SWITCH, MICRO.....	2-D16	250	2
SLIDER, GOVERNOR	F7	65	13		2-B16	218	4	SWITCH, THERMO.....	E3	45	9
	F8	66	13		2-C2	220	4				
	F13	71	13	SPRING, VALVE	G12	86	9				
	F15	73	9		2-E10	260	16	[T]			
SOCKET ASSY., LAMP	2-E4	254	15	SPRING, WEIGHT RETURN	G11	85	6	TANK ASSY., FUEL.....	M6	176	4
SOLENOID ASSY.	2-C3	221	3	STARTER ASSY., RECOIL.....	G14	88	1	TANK COMP., FUEL.....	M7	177	6
SOLENOID ASSY., CHOKE	J7	129	28	STAY ASSY., CHOKE CONTROL.....	I5	111	18		M12	182	8
SOLENOID, ROTARY CHOKE	J7	129	31		I15	121	37	TERMINAL ASSY., HIGH TENSION..	N5	191	2
SPACER COMP., CARBURETOR	I4	110	14						N10	196	2
	J2	124	13		J2	124	17	TIMER UNIT	2-C4	222	7
	J12	134	6		J14	136	17	TOOL KIT.....	2-D13	247	4
	K6	144	5		J16	138	19				
SPACER, CHOKE SOLENOID	J7	129	30		K4	142	20	TOOL SET	2-D15	249	2
SPACER, CONTROL LEVER	2-B10	212	14	STAY ASSY., MANUAL CHOKE	J7	129	20	TRIM/TILT ASSY.	2-E10	260	4
SPACER, MUFFLER COVER	L11	165	17		K2	140	8	TUBE, 11X105.....	E3	45	7
	2-E3	253	50	STAY ASSY., SOLENOID	J7	129	19	TUBE, 3.5X130.....	J10	132	61
SPANNER, 10X12	2-D14	248	18	STAY A, MUFFLER	M2	172	7		K3	141	34
	2-D15	249	7	STAY COMP., AIR CLEANER	L4	158	5	TUBE, 3.5X220.....	K3	141	35
SPANNER, 10X14	2-D14	248	19	STAY COMP., CHOKE SOLENOID	J7	129	21	TUBE, 3.5X30.....	J10	132	61
	2-D15	249	8	STAY COMP., SOLENOID	J7	129	22		2-E7	257	5
	2-D15	249	3		K2	140	9	TUBE, 3.5X495.....	J10	132	60
SPANNER, 12X14	2-D14	248	20	STAY COMP., WIRE HOLDER	L6	160	3	TUBE, 3.5X530.....	2-E7	257	6
SPANNER, 14X17	2-E10	260	10	STAY, AIR CLEANER	L2	156	4	TUBE, 3.5X55.....	J10	132	60
SPOOL COMP., VALVE	2-E10	260	10	STAY, MUFFLER COVER	L11	165	15	TUBE, 3.5X695.....	J10	132	62
SPRING ASSY., GOVERNOR	2-C1	219	4	STOPPER, CHOKE ROD	J7	129	29	TUBE, 3.5X710.....	2-E7	257	7
SPRING, BRUSH	2-B3	205	11		K2	140	13	TUBE, 3.5X75.....	J10	132	60
SPRING, BRUSH RETURN	N16	202	10	STOPPER, DISCHARGE GUARD	2-E2	252	25	TUBE, 3.5X80.....	K1	139	36
	2-B4	206	9		2-E3	253	73	TUBE, AIR VENT.....	J6	128	13
SPRING, CABLE RETURN	2-B11	213	18	STRAINER COMP., FUEL	M5	175	2	TUBE, BATTERY BREATHER	2-D2	236	1
SPRING, CHOKE RETURN	2-C3	221	1	STRAINER, FUEL	M14	184	6	TUBE, BREATHER	E3	45	7
SPRING, COCK LEVER	I9	115	24	STRAP, CABLE, 118MM	2-C10	228	22		E9	51	19
	J2	124	23		2-C14	232	20	TUBE, CORD	L3	157	16
	K1	139	22	STRAP, WIRE HARNESS, 25MM.....	2-C4	222	10		2-E2	252	34
	K5	143	26	SUB HARNESS	E13	55	5		2-E3	253	66
SPRING, COIL	2-E2	252	23		H8	98	12		2-E7	257	9
SPRING, CONTROL ADJUSTING	H6	96	3		N12	198	17	TUBE, FASTENER, 30MM.....	2-C10	228	23
	2-B11	213	17		2-C8	226	11		2-C14	232	21
	2-B16	218	6		2-C13	231	12	TUBE, FUEL	M14	184	1
	2-C1	219	9		2-E3	253	61				
	2-C2	220	7	SUSPENSION, COUPLER	2-C8	226	10				
SPRING, CONTROL LEVER RETURN ..	2-C2	220	8		2-E3	253	47	TUBE, FUEL SUPPORTER.....	M14	184	4
SPRING, FRICTION	H1	91	5								



PART NAME INDEX

Part name	Address	Page	Ref.	Part name	Address	Page	Ref.	Part name	Address	Page	Ref.
TUBE, FUEL, 3.5X25	I16	122	40	WASHER, CHOKE LEVER	J9	131	42				
TUBE, FUEL, 4.5X120	M10	180	19		K2	140	22				
TUBE, FUEL, 4.5X150	M9	179	13	WASHER, CONTROL LEVER	2-B9	211	12				
	M11	181	31	WASHER, DRAIN PLUG, 12MM	E16	58	18				
	M13	183	19		2-E4	254	7				
TUBE, FUEL, 4.5X165	M13	183	19	WASHER, FLYWHEEL	N3	189	7				
TUBE, FUEL, 4.5X180	M10	180	19	WASHER, LOCK, 8MM	G2	76	10				
TUBE, FUEL, 4.5X190	M13	183	19		2-D4	238	9				
	2-E2	252	40	WASHER, PLAIN	2-E10	260	21				
TUBE, FUEL, 4.5X235	M10	180	18	WASHER, PLAIN, 4MM	2-C11	229	30				
TUBE, FUEL, 4.5X250	M10	180	19		2-C15	233	27				
	M13	183	19	WASHER, PLAIN, 5MM	J9	131	51				
TUBE, FUEL, 4.5X260	J15	137	26		K3	141	29				
	M13	183	19		L14	168	29				
	2-E2	252	40		2-B15	217	37				
TUBE, FUEL, 4.5X300	J9	131	56	WASHER, PLAIN, 6MM	F10	68	18				
TUBE, FUEL, 4.5X360	2-E4	254	19		F13	71	18				
TUBE, FUEL, 4.5X430	M10	180	18		F16	74	15				
TUBE, FUEL, 5.3X200	M10	180	18		L4	158	16				
TUBE, FUEL, 5.3X240	M10	180	18		2-D14	248	26				
TUBE, FUEL, 6.5X50	M9	179	13	WASHER, PLAIN, 8MM	M3	173	11				
TUBE, VINYL, 4.5X8X230	L3	157	14	WASHER, SEAL	2-E10	260	22				
TUBE, VINYL, 4.5X8X380	L3	157	15	WASHER, SPRING, 3MM	J9	131	52				
TUBE, VINYL, 9X11X30	2-C1	219	15	WASHER, SPRING, 4MM	2-C11	229	27				
					2-C15	233	24				
[V]				WASHER, SPRING, 5MM	L14	168	30				
VALVE ASSY., SOLENOID	J7	129	18	WASHER, SPRING, 8MM	2-B3	205	23				
	J8	130	39	WASHER, TANK CUSHION	M13	183	14				
	J13	135	13	WASHER, THRUST, 2.7X8	J9	131	44				
	J14	136	13		K2	140	24				
	2-E7	257	2	WEIGHT, BALANCER	G1	75	8				
VALVE COMP., MANUAL	2-E10	260	14	WEIGHT, GOVERNOR	F6	64	10				
VALVE SET, FLOAT	H13	103	2		F13	71	10				
	J1	123	2	WHEEL COMP., STEERING	F15	73	6				
	J4	126	2	WIRE, LOCK	2-E9	259	11				
	J13	135	1	WIRE, WATER COVER	2-E4	254	22				
	J16	138	2		N16	202	13				
	K4	142	2	WRENCH COMP., SPARK PLUG	2-B1	203	14				
VALVE, DASHPOT CHECK	J8	130	38		2-D13	247	13				
	J12	134	10	WRENCH, BOX	2-D15	249	4				
	K2	140	20	WRENCH, PLUG	2-D13	247	12				
	2-E7	257	1		2-D14	248	23				
VALVE, EX.	G11	85	8	WRENCH, PLUG	2-D13	247	11				
	G12	86	8				13				
VALVE, IN.	G11	85	7								
				[Y]							
[W]				YOKE COMP.	N15	201	9				
WASHER COMP., HEAD COVER	E5	47	14		2-B3	205	14				
WASHER, 10.5X40X4	G1	75	9		2-B4	206	8				
WASHER, 12MM	2-E9	259	14								
WASHER, 6X16	F8	66	14								
	F13	71	14								
	F15	73	10								
WASHER, 8MM	G1	75	9								
	2-D4	238	8								
WASHER, 8.2X17X0.8	E15	57	10								
WASHER, AIR DUCT	2-E2	252	31								

1

FOREWORD INDEX

2

ENGINE GROUP

3

PART NUMBER INDEX

4

PART NAME INDEX

HONDA
The Power of Dreams



PARTS CATALOGUE NEWS

Honda Motor Co., Ltd. Service Division

Printed in Japan

CODE NO.	BOOKLET TYPE	13ZF60E8
	MICRO- FICHE	13ZF60EH/FH/GH
PARTS CATALOGUE NEWS	GX390K1 GX390K1[PROPANE ENGINE]	
NEWS NO.	001	

GX390K1-VXG2 TYPE sales parts information

NOTE: This Parts Catalogue News explains only the parts of the different model that are produced to conform to addition of the GX390K1-VXG2 type.

As for the parts not listed on this Parts List News, use the parts of the GX390K1-VPX4 type.

Model	Type		Parts catalogue type	Applicable engine serial No.	Applicable carburetor identification No.
GX390K1	VPX4	Base model	VPX4	GCAA- 2000001 ~ 3399999	BE87E B BE87F A
	VXG2	Additional model	VXG2	GCAA- 2000001 ~	BE87F A

PARTS CATALOGUE NEWS

BOOKNo. : 13ZF60E8

Block No.	Ref. No.	Part No.	Description	Reqd. QTY			Base Part No.	Parts catalogue code
				(1)	(2)	(3)		
E-2	13	90012-KM9-000	BOLT, STUD, 8X34	2			92900-08032-0E	
E-16	2		MUFFLER COMP. (100DB)	0			18310-ZE2-W61	
	8		ARRESTER, SPARK	0			18355-ZE2-W00	
	9		GASKET, MUFFLER (ARRESTER) ...	0			18381-ZE2-W10	
	28	94050-08000	NUT, FLANGE, 8MM	2			94050-08000	
	31		SCREW, TAPPING, 5X8	0			90050-ZE1-000	
E-17	2		STRAINER COMP., FUEL	0			16910-GB2-005	
	18	95001-45235-40	TUBE, FUEL, 4.5X235 (95001-45001-60M)	1				
	19		TUBE, FUEL, 4.5X180 (95001-45001-60M)	0			95001-45180-40	

NOTE A:PART NO. CHANGE D:NEWLY PROVIDED E:PART NO.DELETION K:REQUIRED NO. CORRECTION L:APPLICATION SERIAL NO. CORRECTION
T:APPLICATION CORRECTION Z:REMARKS CHANGE



PARTS CATALOGUE NEWS

Honda Motor Co., Ltd. Service Division

PARTS CATALOGUE - CORRECTED

Printed in Japan

CODE NO.	BOOKLET TYPE	13ZF60E8
	MICRO- FICHE	13ZF60EH/FH
PARTS CATALOGUE NEWS	GX390K1 [GCAA-200] [GDAAM-100] GX390K1 [PROPANE ENGINE] [GDAF-100]	
NEWS NO.	002	

Block No.	Ref. No.	Note	Part No.	Description	Reqd. QTY			Serial No.	Parts catalogue code
					(1)	(2)	(3)		
E-7	11	T	90745-ZE2-600	KEY, 6.3X6.3X43	GX390K1 (1) (2) (3) 1 (1) 1			-----	PAE2, PA2, QA, QAE, QAE2, QAE6, QAP, QAO, QAW, QA2, QA26, QDW9 QE, QH, QHB3, QHC, QHE, QHP1, QH2, QKA2, QKA4, QKB2, QKE2, QK4 QMH, QND, QNE, QNE2, QNE6, QNE8, QNE9, QNK, QNR2, QNR6, QN18, QP QT, QWA2, QWA4, QWC4, QWH2, QWT2, QX, QXB, QXB7, QXC, QXC4, QXC6 QXC9, QXE, QXEB, QXE2, QXE4, QXE6, QXE7, QXE8, QXQ4, QXQ7, QXS4 QXU, Q1
E-26	1	E	11500-ZE3-640	*PARTS NO. DELETION					
	2	T	11521-ZE2-800	PACKING, CHAIN CASE COVER	1	1	-	-----	BJ, LH, LHB1, LHB3, LHC, LHE, LHP1, LHW, LJ, LJG, LKE, LKF1, LMH LP, LT, LTK, LTK1, LWD, LWD1, LX, LXE, LXE2, LXE4, LXE8, LXQ4 LXU, LXZ, LX2, L1, ZK1
	3	E	22103-ZE3-640	*PARTS NO. DELETION					
	4	E	23220-ZE3-640	*PARTS NO. DELETION					
	6	E	23710-ZE3-640	*PARTS NO. DELETION					
		E	23710-ZF6-U50	*PARTS NO. DELETION					
	7	E	95701-08025-00	*PARTS NO. DELETION					
		E	95900-08025-00	*PARTS NO. DELETION					
	8	E	90473-842-000	*PARTS NO. DELETION					

NOTE A:PART NO. CHANGE D:NEWLY PROVIDED E:PART NO. DELETION K:REQUIRED NO. CORRECTION L:APPLICATION SERIAL NO. CORRECTION
T:APPLICATION CORRECTION Z:REMARKS CHANGE

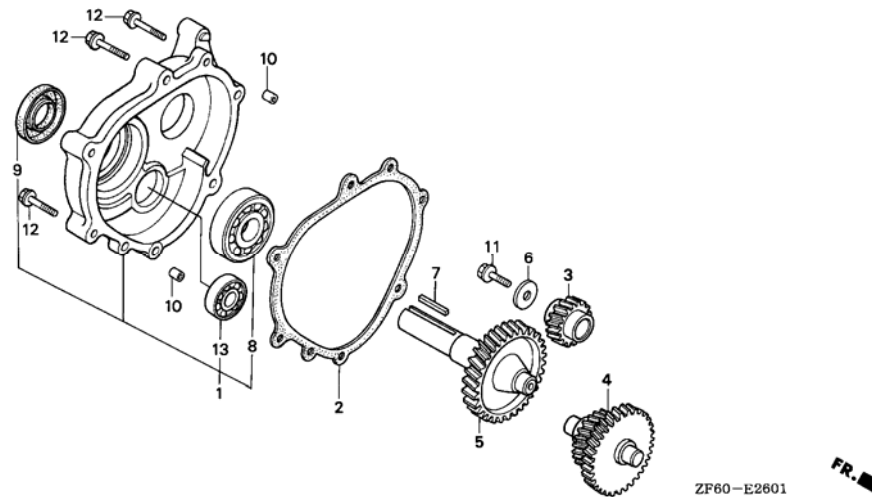
PARTS CATALOGUE NEWS

BOOKNo. : 13ZF60E8

Block No.	Ref. No.	Note	Part No.	Description	Reqd. QTY			Serial No.	Parts catalogue code
					(1)	(2)	(3)		
	10	E	90745-ZE2-600	*PARTS NO. DELETION					
	11	E	91006-MT3-003	*PARTS NO. DELETION					
	12	T	91201-890-003	OIL SEAL, 30X46X8	1	1	-	-----	HJA2, LH, LHB1, LHB3, LHC, LHE, LHP1, LHW, LJ, LJG, LKE, LKF1, LMH, LP, LT, LTK, LTK1, LWD, LWD1, LX, LXE, LXE2, LXE4, LXE8, LXQ4, LXU, LXZ, LX2, L1, ZK1
	14	T	94301-08140	DOWEL PIN, 8X14	2	2	-	-----	BJ, LH, LHB1, LHB3, LHC, LHE, LHP1, LHW, LJ, LJG, LKE, LKF1, LMH, LP, LT, LTK, LTK1, LWD, LWD1, LX, LXE, LXE2, LXE4, LXE8, LXQ4, LXU, LXZ, LX2, L1, ZK1
	15	T	95701-08040-00	BOLT, FLANGE, 8X40	6	-	-	-----	LHB1, LHB3, LHP1, LHW, LJG, LKE, LKF1, LMH, LP, LT, LTK, LTK1, LWD1, LXE2, LXE4, LXQ4, LX2, ZK1
		T	95900-08040-00	6	6	-	-----	BJ, LH, LHC, LHE, LJ, LWD, LX, LXE, LXE8, LXU, LXZ, L1
	16	E	96100-63020-00	*PARTS NO. DELETION					

E-26-1 REDUCTION (1/6)

Service	Item	F. R. T.
	COUNTERSHAFT COMP.	0.2
	COVER ASSY., GEAR CASE	
	GEAR, PRIMARY DRIVE	
	PACKING, CHAIN CASE COVER	
	SHAFT, P. T. O.	
	BEARING, RADIAL BALL, 6206.	0.3
	BEARING, RADIAL BALL, 6302	
	OIL SEAL, 30X46X8	



E-26-1	1	D	11500-ZE3-640	COVER ASSY., GEAR CASE	1	-	-	-----	HA, HAQ, HA2, HH, HJA, HJA2, HX
	2	D	11521-ZE2-800	PACKING, CHAIN CASE COVER	1	-	-	-----	HA, HAQ, HA2, HH, HJA, HJA2, HX

NOTE A:PART NO.CHANGE D:NEWLY PROVIDED E:PART NO.DELETION K:REQUIRED NO.CORRECTION L:APPLICATION SERIAL NO.CORRECTION
T:APPLICATION CORRECTION Z:REMARKS CHANGE

PARTS CATALOGUE NEWS

BOOKNo. : 13ZF60E8

Block No.	Ref. No.	Note	Part No.	Description	Reqd. QTY			Serial No.	Parts catalogue code
					(1)	(2)	(3)		
	3	D	22103-ZE3-640	GEAR, PRIMARY DRIVE (12T)	1	-	-	-----	HA, HAQ, HA2, HH, HJA, HJA2, HX
	4	D	23220-ZE3-640	COUNTERSHAFT COMP.	1	-	-	-----	HA, HAQ, HA2, HH, HJA, HJA2, HX
	5	D	23710-ZE3-640	SHAFT, P. T. O. (34T)	1	-	-	-----	HA, HAQ, HA2, HH, HX
		D	23710-ZF6-U50	SHAFT, P. T. O.	1	-	-	-----	HJA, HJA2
	6	D	90473-842-000	WASHER, 8MM	1	-	-	-----	HA, HAQ, HA2, HH, HJA, HJA2, HX
	7	D	90745-ZE2-600	KEY, 6.3X6.3X43	1	-	-	-----	HA, HAQ, HA2, HH, HX
	8	D	91006-MT3-003	BEARING, RADIAL BALL, 6206 (NTN)	1	-	-	-----	HA, HAQ, HA2, HH, HJA, HJA2, HX
	9	D	91201-890-003	OIL SEAL, 30X46X8	1	-	-	-----	HA, HAQ, HA2, HH, HJA, HJA2, HX
	10	D	94301-08140	DOWEL PIN, 8X14	2	-	-	-----	HA, HAQ, HA2, HH, HJA, HJA2, HX
	11	D	95701-08025-00	BOLT, FLANGE, 8X25	1	-	-	-----	HA, HAQ, HA2, HH, HX
		D	95900-08025-00	1	-	-	-----	HJA, HJA2
	12	D	95701-08040-00	BOLT, FLANGE, 8X40	6	-	-	-----	HA, HAQ, HA2, HH, HX
		D	95900-08040-00	6	-	-	-----	HJA, HJA2
	13	D	96100-63020-00	BEARING, RADIAL BALL, 6302 . . .	1	-	-	-----	HA, HAQ, HA2, HH, HJA, HJA2, HX

NOTE A:PART NO. CHANGE D:NEWLY PROVIDED E:PART NO.DELETION K:REQUIRED NO. CORRECTION L:APPLICATION SERIAL NO. CORRECTION
T:APPLICATION CORRECTION Z:REMARKS CHANGE



PARTS CATALOGUE NEWS

Honda Motor Co., Ltd. Service Division

PARTS CATALOGUE - CORRECTED

Printed in Japan

CODE NO.	BOOKLET TYPE	13ZF60E8
	MICRO- FICHE	13ZF60EH/FH
PARTS CATALOGUE NEWS	GX390K1 [GCAA-200] [GDAAM-100] GX390K1 [PROPANE ENGINE] [GDAF-100]	
NEWS NO.	003	

Block No.	Ref. No.	Note	Part No.	Description	Reqd. QTY			Serial No.	Parts catalogue code
					(1)	(2)	(3)		
E-12	19	D	90008-ZE2-003	BOLT, FLANGE, 6X10	GX390K1 (1) 3 (2) - (3) -			-----	LKE, LKF1, LTK, LTK1, QXB7, QXE7, QXQ7, SXB7, SXE7, SXX, SXX1 VSD7
		E	90009-ZE2-003	*PARTS NO. DELETION					

NOTE A:PART NO. CHANGE D:NEWLY PROVIDED E:PART NO.DELETION K:REQUIRED NO. CORRECTION L:APPLICATION SERIAL NO. CORRECTION
T:APPLICATION CORRECTION Z:REMARKS CHANGE



PARTS CATALOGUE NEWS

Honda Motor Co., Ltd. Service Division

PARTS CATALOGUE - CORRECTED

Printed in Japan

CODE NO.	BOOKLET TYPE	13ZF60E8
	MICRO-FICHE	13ZF60EH/FH
PARTS CATALOGUE TITLE	GX390K1 [GCAA-200] [GDAAM-100] GX390K1 [PROPANE ENGINE] [GDAF-100]	
NEWS NO.	004	

Block No.	Ref. No.	Note	Part No.	Description	Reqd. QTY			Serial No.	Parts catalogue code
					(1)	(2)	(3)		
E-2	1	E	12200-ZF6-F01	*PARTS NO. DELETION					
		D	12200-ZF6-415	HEAD COMP., CYLINDER (CNG) ...	1	-	-	-----	-----
E-9	8	E	14721-ZF6-F00	*PARTS NO. DELETION					
		D	14721-ZK6-810	VALVE, EX. (CNG)	1	-	-	-----	-----

NOTE A:PART NO. CHANGE D:NEWLY PROVIDED E:PART NO.DELETION K:REQUIRED NO. CORRECTION L:APPLICATION SERIAL NO. CORRECTION
 T:APPLICATION CORRECTION Z:REMARKS CHANGE



PARTS CATALOGUE NEWS

Honda Motor Co., Ltd. Service Division

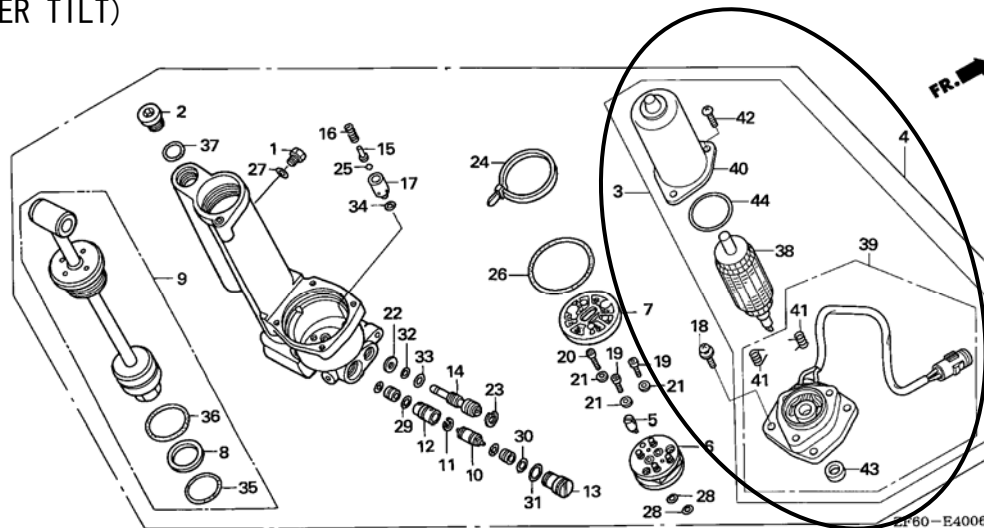
PARTS CATALOGUE - CORRECTED

Printed in Japan

CODE NO.	BOOKLET TYPE	13ZF60E8
	MICRO-FICHE	13ZF60EH/FH
PARTS CATALOGUE TITLE	GX390K1 [GCAA-200] [GDAAM-100] GX390K1 [PROPANE ENGINE] [GDAF-100]	
NEWS NO.	005	

Block No.	Ref. No.	Note	Part No.	Description	Reqd. QTY GX390K1 (1) (2) (3)	Serial No.	Parts catalogue code
-----------	----------	------	----------	-------------	-------------------------------------	------------	----------------------

E-40-6 OTHER PARTS (POWER TILT)



E-40-6	38	D	31217-766-801	ARMATURE COMP.	1	-	SKAE
--------	----	---	---------------	---------------------	---	---	------

NOTE A:PART NO. CHANGE D:NEWLY PROVIDED E:PART NO. DELETION K:REQUIRED NO. CORRECTION L:APPLICATION SERIAL NO. CORRECTION
T:APPLICATION CORRECTION Z:REMARKS CHANGE

PARTS CATALOGUE NEWS

BOOKNo. : 13ZF60E8

Block No.	Ref. No.	Note	Part No.	Description	Reqd. QTY			Serial No.	Parts catalogue code
					(1)	(2)	(3)		
	39	D	36122-766-801	BRACKET ASSY.	1	-	-	-----	SKAE
	40	D	36129-766-801	YOKE COMP.	1	-	-	-----	SKAE
	41	D	36136-ZV5-821	SPRING, MOTOR	2	-	-	-----	SKAE
	42	D	90134-ZV5-820	SCREW, PAN, 5X16	3	-	-	-----	SKAE
	43	D	91203-ZV5-821	OIL SEAL	1	-	-	-----	SKAE
	44	D	91318-ZV5-821	O-RING	1	-	-	-----	SKAE

NOTE A:PART NO. CHANGE D:NEWLY PROVIDED E:PART NO.DELETION K:REQUIRED NO. CORRECTION L:APPLICATION SERIAL NO. CORRECTION
T:APPLICATION CORRECTION Z:REMARKS CHANGE



PARTS CATALOGUE NEWS

Honda Motor Co., Ltd. Service Division

PARTS CATALOGUE - CORRECTED

Printed in Japan

CODE NO.	BOOKLET TYPE	13ZF60E8
	MICRO-FICHE	13ZF60EH/FH
PARTS CATALOGUE NEWS	GX390K1 [GCAA-200] [GDAAM-100] GX390K1 [PROPANE ENGINE] [GDAF-100]	
NEWS NO.	006	

Block No.	Ref. No.	Note	Part No.	Description	Reqd. QTY			Serial No.	Parts catalogue code
					(1)	(2)	(3)		
<div style="border: 1px solid black; padding: 5px; display: inline-block;">PARTS NAME CORRECTED</div>									
E-14	9	Z	16100-ZF6-V51	CARBURETOR ASSY. (BE85J A/B)	1	-	-	-----	VAG2, VCN2, VDB2, VK2, VN17, VN27, VSD7, VXB7, VXE7
					1	-	-	2767618	ED8, ED9, VNG1, VNG2, VSD, VTE1, VX, VXB, VXE, VXEB, VXE4, VXE8, VXF8, VXQ4, VXTB, VXU, VXU1, VX8
					1	-	-	2794996	VAG2, VA2, VDE2, VD2, VJE2, VJ2, VKB2, VMA2, VME2, VM2, VWA2, VXE2, VXE6
E-14-2	6	L	16024-124-761	SCREW SET, DRAIN	1	-	-	-----	EDS3, EDS6, EDS7, EDT5, EDT6, ED6, VAA1, VC2, VMT, VPE4, VPE7, VPX4, VPX7, VSB1, VSB3, VSD4
				(CARBURETOR NO.)	1	-	-	-----	BE87A B EDD2, EDS, EDS1, EDS2, EDT1, EN6, ES3, ES4, ES5, EWS1, EWS3, EWS4, EWS5, VTE2
				(CARBURETOR NO.)	1	-	-	-----	BE50A B VAA
		T	16024-124-760	1	-	-	-----	EDS5
				(CARBURETOR NO.)	1	-	-	-----	BE87A C EDD2, EN6, ES3, ES4, ES5, EWS1, EWS3, EWS4, EWS5, VTE2
				(CARBURETOR NO.)	1	-	-	-----	BE87A C BE87A C EDS, EDS1, EDS2, EDT1

NOTE A:PART NO. CHANGE D:NEWLY PROVIDED E:PART NO. DELETION K:REQUIRED NO. CORRECTION L:APPLICATION SERIAL NO. CORRECTION T:APPLICATION CORRECTION Z:REMARKS CHANGE

February 08, 2009



PARTS CATALOGUE NEWS

Honda Motor Co., Ltd. Service Division

PARTS CATALOGUE - CORRECTED

Printed in Japan

CODE NO.	BOOKLET TYPE	13ZF60E8
	MICRO- FICHE	13ZF60EH/FH
PARTS CATALOGUE NEWS	GX390K1 [GCAA-200] [GDAAM-100] GX390K1 [PROPANE ENGINE] [GDAF-100]	
NEWS NO.	007	

Block No.	Ref. No.	Note	Part No.	Description	Reqd. QTY			Serial No.	Parts catalogue code
					(1)	(2)	(3)		
E-16	9	D	18381-Z8S-801	GASKET, MUFFLER (ARRESTER) (THAI LEAKLESS)	1	(1)	-	-----	ED9, L1, SHW, S1, V1

NOTE A:PART NO. CHANGE D:NEWLY PROVIDED E:PART NO. DELETION K:REQUIRED NO. CORRECTION L:APPLICATION SERIAL NO. CORRECTION
T:APPLICATION CORRECTION Z:REMARKS CHANGE



PARTS CATALOGUE NEWS

Honda Motor Co., Ltd. Service Division

PARTS CATALOGUE - CORRECTED

Printed in Japan

CODE NO.	BOOKLET TYPE	13ZF60E8
	MICRO-FICHE	13ZF60EH/FH
PARTS CATALOGUE NEWS	GX390K1 [GCAA-200] [GDAAM-100] GX390K1 [PROPANE ENGINE] [GDAF-100]	
NEWS NO.	008	

Block No.	Ref. No.	Note	Part No.	Description	Reqd. QTY			Serial No.	Parts catalogue code
					(1)	(2)	(3)		

PARTS NAME CORRECTED

E-12	2	Z	15520-ZE2-003	ALERT UNIT, OIL / SWITCH, ENGINE STOP	1	-	-	-----	2042138	HA, HX, LX, LXZ, PX, QA, QX, QXB, QXC, SWX, SX, SXB, SXP, VA, VAA VNG1, VSD, VX, VXB
					-	(1)	-	-----	2042138	

NOTE A:PART NO. CHANGE D:NEWLY PROVIDED E:PART NO. DELETION K:REQUIRED NO. CORRECTION L:APPLICATION SERIAL NO. CORRECTION
T:APPLICATION CORRECTION Z:REMARKS CHANGE