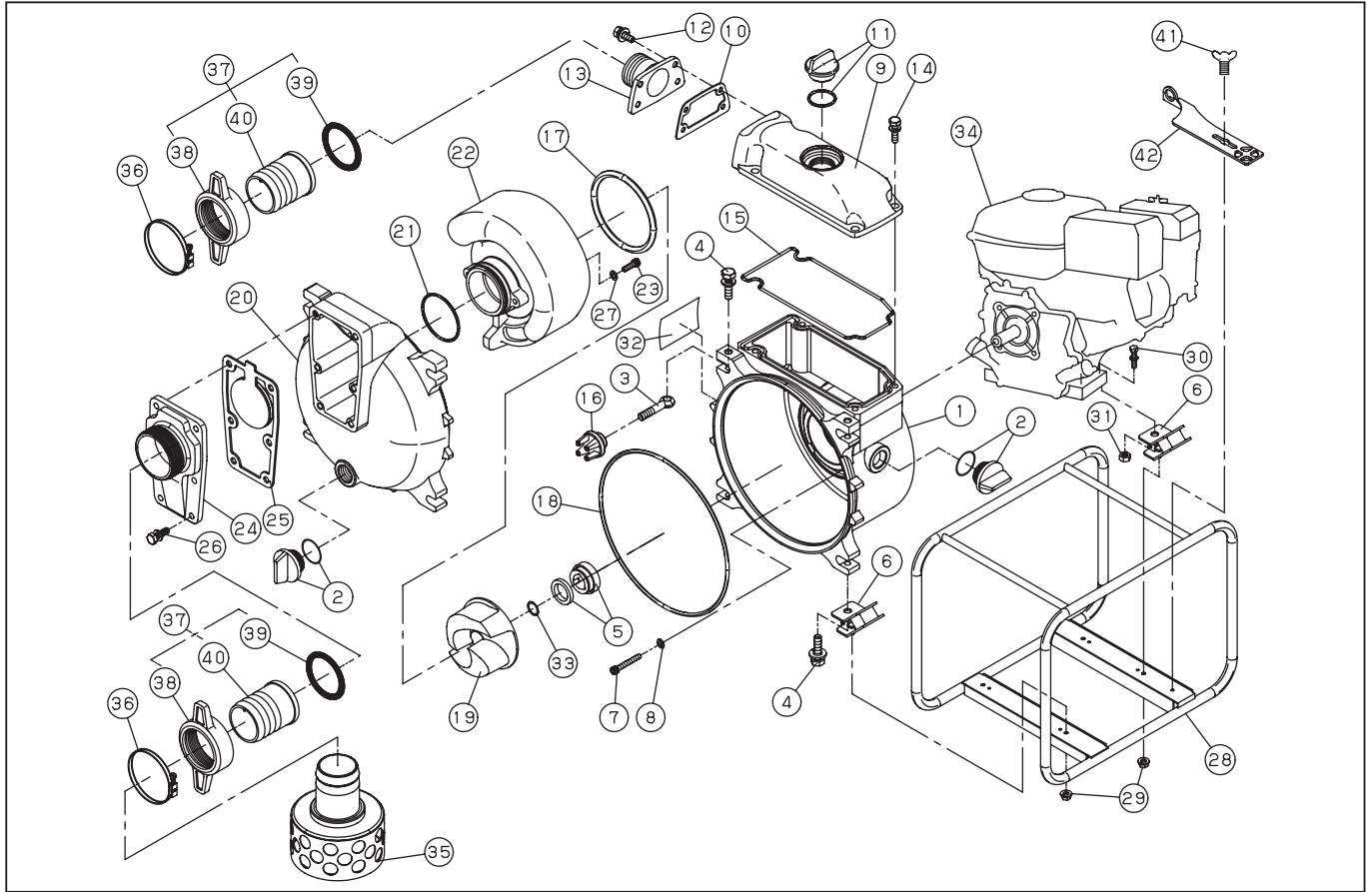


KTH-50X

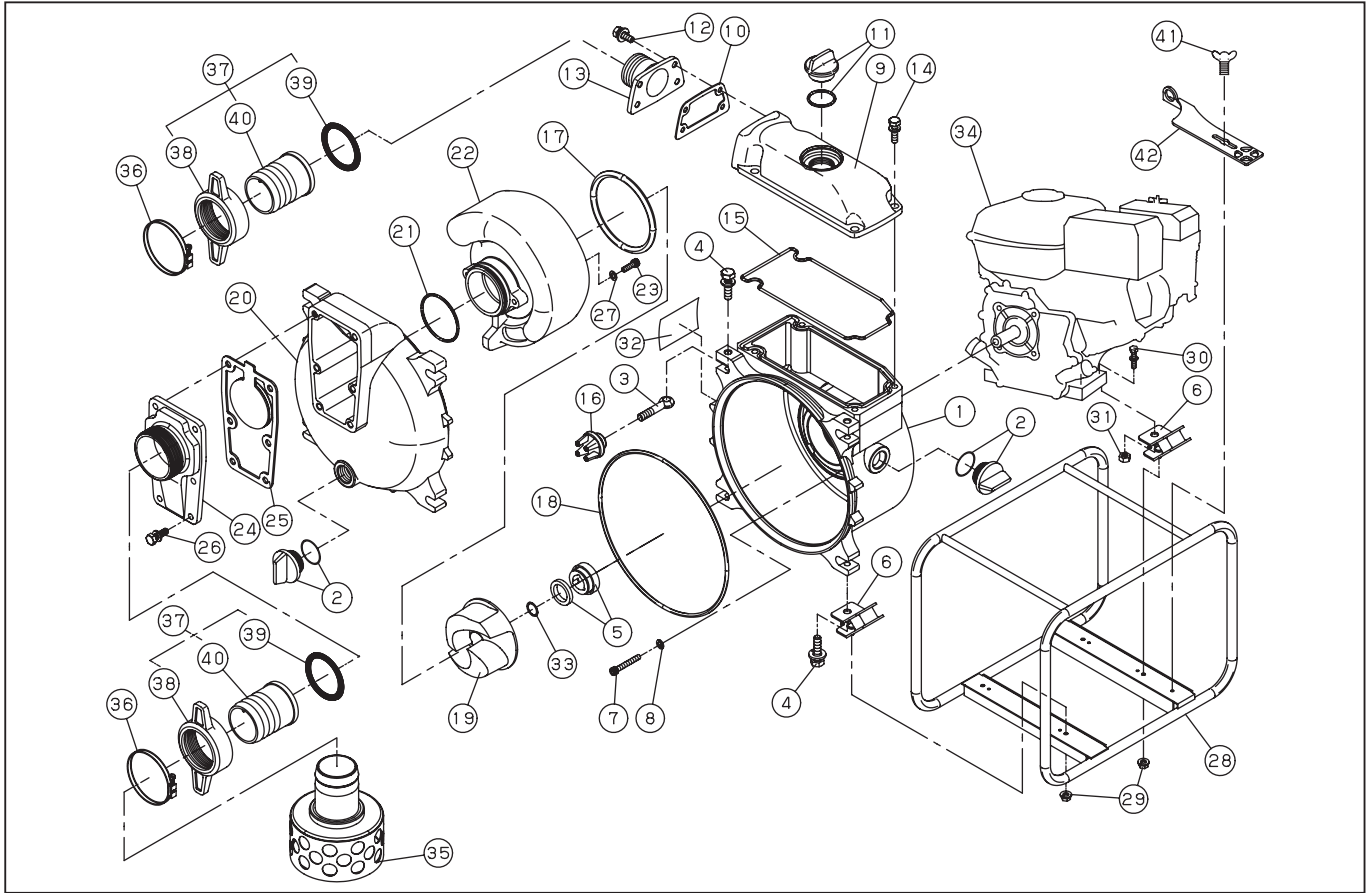


DWG No.0128569 MODEL: KTH-50X FORM: KTH-50X-BAB-0

Nº	PARTS CODE	PARTS NAME	QTY	MATERIAL	SIZE	REMARKS
1	011544605	PUMP CASING	1			
2	011807901	25A PLUG SET	2			
3	011558002	COVER BOLT	4			
4	743119083	BOLT M12X45	4	SWRM	M12X45	
5	011515902	MECHANICAL SEAL	1	HJ-20(B)BSIC		
6	011617202	CUSHION RUBBER	4	CR 60°		
7	011651701	FLANGE SOCKET BOLT M8X60	4	SCM	M8X60	
8	011649302	WASHER	4	ALUMINIUM A1100 PH14	φ8	
9	011544502	DELIVERY HOUSING	1	ADC		
10	011549001	FLANGE PACKING	1	CR		
11	011845001	32A PLUG SET	1			
12	743119046	BOLT M8X22	4	SWRM	M8X22	
13	011584001	DELIVERY FLANGE (PS)	1	ADC		
14	743119063	BOLT M10X30	4	SWRM	M10X30	
15	011554801	HEAD PACKING	1	NBR70°		
16	011559002	KNOB	4			
17	011557801	CASING PACKING	1	NBR		
18	011557901	FRONT COVER PACKING	1	NBR		
19	011544703	IMPELLER	1			
20	011554502	FRONT COVER	1			
21	011567601	O-RING	1	NBR		
22	011548904	VOLUTE CASING	1			
23	734505066	SOCKET BOLT M8X25	2	SUS	M8X25	
24	011583901	SUCTION FLANGE	1	ADC		
25	011578001	CHECK VALVE	1	NBR NEO-180		
26	743119061	BOLT M10X25	6	SWRM	M10X25	
27	854255008	SEAL WASHER	2		φ8	
28	011781601	BASE SET	1		NO.373	
29	842319008	SPRING NUT M8	4	SWRM	M8	

* Bare engine can not be supplied

KTH-50X



DWG No.0128569 MODEL: KTH-50X FORM: KTH-50X-BAB-0

Nº	PARTS CODE	PARTS NAME	QTY	MATERIAL	SIZE	REMARKS
30	743119051	BOLT M8X35	2	SWRM	M8X35	
31	838719008	NUT M8	2		M8	
32	011585804	NAME PLATE	1		KW6	
33	011049102	IMPELLER ADJUSTING WASHER	3	BSP		
34	011430303	HONDA GX 160 ENGINE	1	GX160UT1WKT2		
35	011097703	STRAINER	1	SPC	50M	
36	940407060	HOSE BAND	3		2 "	
37	011702603	COUPLING SET	2	ABS		
38	011339002	COUPLING	2	ABS		
39	011339101	COUPLING PACKING	2	NBR		
40	011035605	HOSE NIPPLE	2	ABS		
41	741305153	WING BOLT M8X15	1	SUS	M8X15	
42	011577802	TOOL	1	SPC		
	011585702	KTH-50X-BAB OUTER CARTON	1		KW6	
	011591103	OPERATION MANUAL	1			

* Bare engine can not be supplied