



PARTS CATALOG

Published

2008/7 (Jul.)

0CV10-G11500

P R E F A C E

1. This Parts Catalog carries all parts incorporated in YANMAR Model L40AE-DV engine manufactured since November 1990.
2. Each illustration corresponds to the parts list on the following page.
3. When ordering parts, clearly write down the engine model and serial number, as well as the name and number of each part in your order sheet. This will help insure reliable delivery of the parts you have ordered.

CONTENTS

MODEL : L40AE-DV (DUOMAT)

PC NO : 0CV10-G11500

Fig.No. GROUP NAME

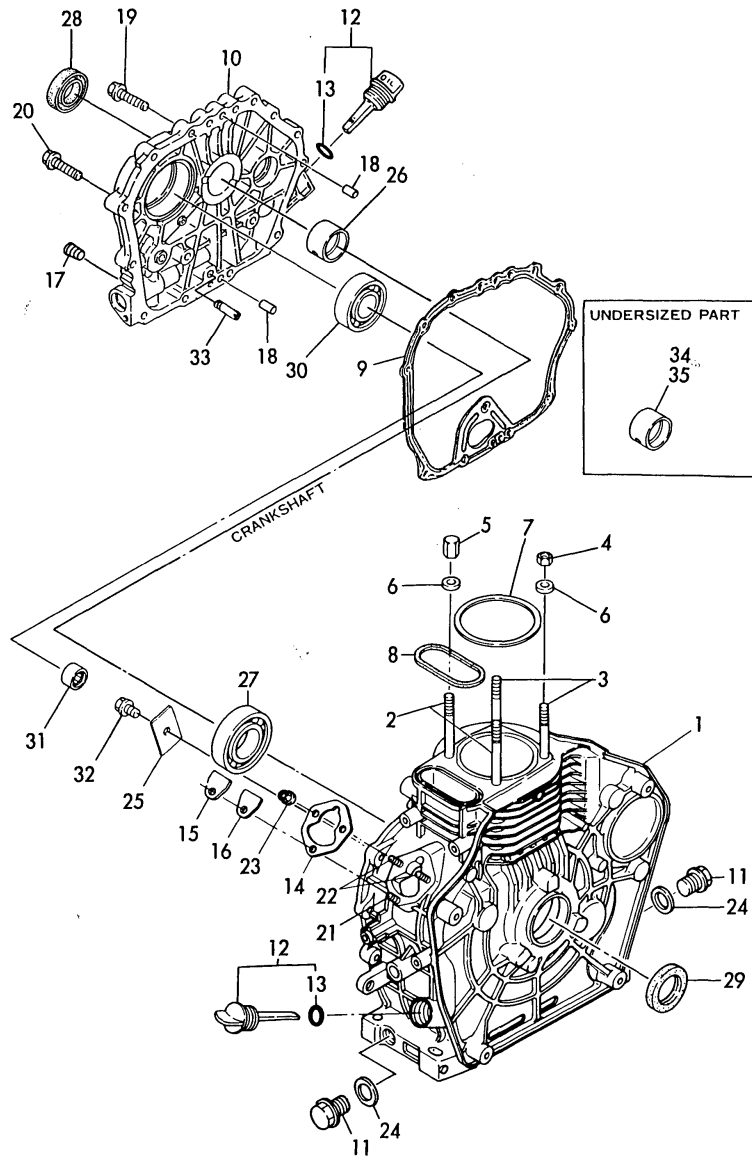
L40AE-DV

1. CYLINDER BLOCK
2. CRANK, ROD & PISTON
3. CYLINDER HEAD
4. AIR CLEANER & SILENCER
5. LUB. OIL PUMP & GOVERNOR
6. STARTING & CONTROL
7. FUEL INJECTION DEVICE
8. FUEL TANK & PIPE
9. LABELS, TOOLS & GASKET SET

Fig.No. GROUP NAME

Fig.1. CYLINDER BLOCK

Fig. 1 CYLINDER BLOCK



Remarks
 (1) REPAIR PART.
 (2) UNDERSIZED(U.S=0.25) PART.
 (3) UNDERSIZED(U.S=0.5) PART.

(A)=L40AE-DV

(B)=

(C)=

(D)=

(E)=

(F)=

REF.	LEV.	PARTS NO.	DESCRIPTION	Q'TY						I	R
				(A)	(B)	(C)	(D)	(E)	(F)		
1	1	714271-01560	BLOCK ASSY, CYLINDER	1							
2	1	114250-01200	STUD, CYL. HEAD	2							
3	1	114250-01210	STUD, CYL. HEAD	2							
4	1	114250-01220	NUT 8	2							
5	1	114250-01250	NUT 8	2							
6	1	124950-01250	WASHER	4							
7	1	114250-01340	GASKET, CYL. HEAD	1							
8	1	114250-01380	O-RING	1							
9	1	114250-01412	GASKET, CRANK CASE	1							
10	1	114260-01453	COVER (D),CRANK CASE	1							
11	1	105425-01690	PLUG M16	2							
12	1	160710-01760	CAP, W/LUB.OIL GAUGE	2							
13	2	24311-000180	O-RING 1A P-18.0	2							
14	1	114250-01800	SHIM SET	1							
15	1	114250-01830	COVER, INSPEC.WINDOW	1							
16	1	114250-01840	GASKET	1							
17	1	23871-010000	PLUG PT1/8,SCREW	1							
18	1	22312-080120	PARALLEL PIN 8X12	2							
19	1	26106-060252	BOLT M 6X 25 PLATED	14							
20	1	26106-080352	BOLT M 8X 35 PLATED	1							
21	1	26226-060182	STUD M 6X 18 PLATED	1							
22	1	26226-060222	STUD M 6X 22 PLATED	2							
23	1	26366-060002	NUT M 6	3							
24	1	43400-500490	SEAL WASHER 16	2							
25	1	114250-02030	RETAINER, BEARING	1							
26	1	114250-02100	BEARING, MAIN	1							1
27	1	114250-02113	BALL BEARING	1							
28	1	160110-02220	SEAL, OIL	1							
29	1	160210-02220	SEAL, OIL	1							
30	1	24101-062050	BALL BEARING	1							
31	1	24162-152112	NEEDLE BEARING	1							
32	1	26106-080122	BOLT M 8X 12 PLATED	1							
33	1	114250-35150	PIPE, LUB. OIL	1							
34	1	114250-02200	BEARING US=0.25,MAIN	1							2
35	1	114250-02210	BEARING US=0.50,MAIN	1							3

Fig.2. CRANK, ROD & PISTON

(A)=L40AE-DV

(B)=

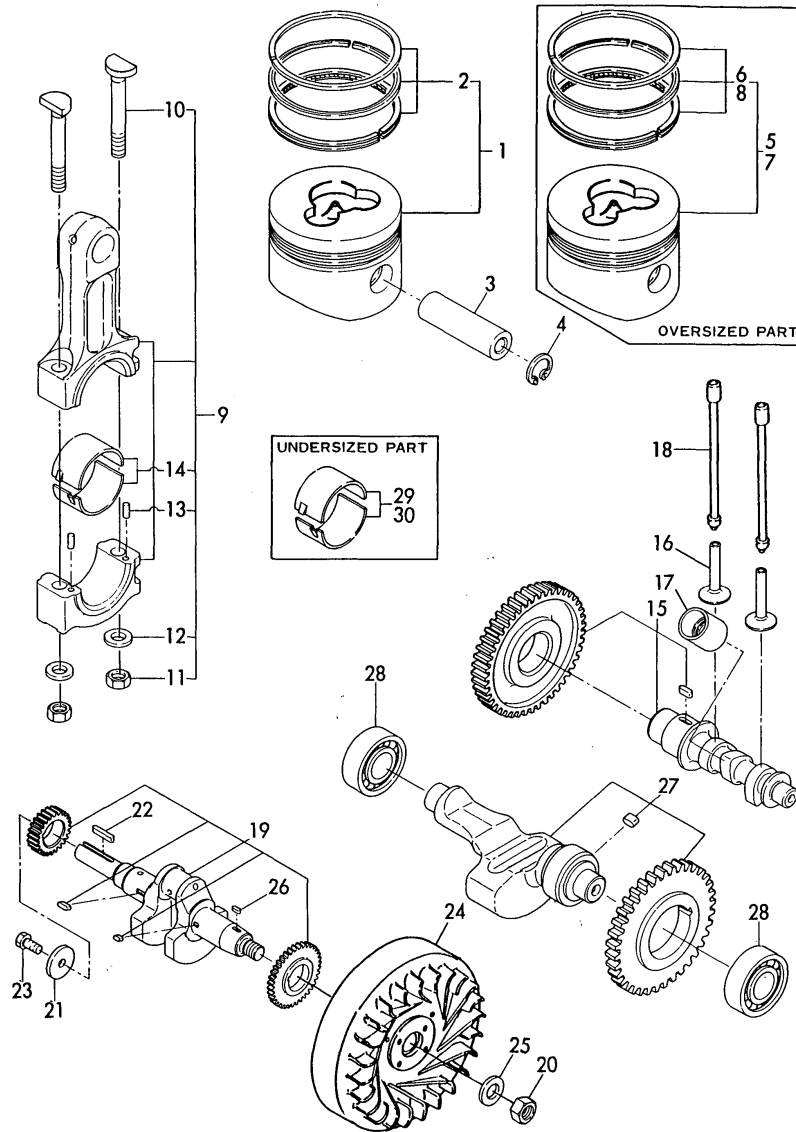
(C)=

(D)=

(E)=

(F)=

Fig.2 CRANK, ROD & PISTON



Remarks

- (1) OVERSIZED(O.S=0.25) PART.
- (2) OVERSIZED(O.S=0.5) PART.
- (3) UNDERSIZED(U.S=0.25) PART.
- (4) UNDERSIZED(U.S=0.5) PART.

REF.	LEV.	PARTS NO.	DESCRIPTION	QTY						I	R
				(A)	(B)	(C)	(D)	(E)	(F)		
1	1	714280-22720	PISTON W/RINGS	1							
2	2	714250-22502	RING SET, PISTON	1							
3	1	114250-22302	PIN, PISTON D=19	1							
4	1	22252-000190	CIRCLIP 19	2							
5	1	714280-22620	PISTON W/RING OS=.25	1							1
6	2	714250-22542	RING SET O.S.=0.25	1							1
7	1	714280-22580	PISTON W/RING OS=0.5	1							2
8	2	714250-22550	RING SET O.S.=0.5	1							2
9	1	714250-23703	ROD ASSY, CONNECTING	1							
10	3	114250-23200	BOLT, ROD	2							
11	3	114250-23220	NUT, ROD BOLT	2							
12	3	114250-23250	WASHER	2							
13	3	22312-030080	PARALLEL PIN 3X 8	2							
14	2	714250-23600	BEARING, CRANKPIN	1							
15	1	714780-14580	CAMSHAFT(D) ASSY.	1							
16	1	114250-14200	TAPPET, SUC./EXH.	2							
17	1	114250-14260	TAPPET, FUEL	1							
18	1	114250-14450	ROD, PUSH	2							
19	1	714288-21740	CRANKSHAFT ASSY.(DV	1							
20	1	103854-01221	NUT M16	1							
21	1	160310-14550	WASHER	1							
22	1	22512-050300	KEY 5X 30	1							
23	1	26106-080202	BOLT M 8X 20 PLATED	1							
24	1	114780-21400	FLYWHEEL (D)	1							
25	1	114250-21550	WASHER, FLYWHEEL	1							
26	1	22512-040120	KEY 4X 12	1							
27	1	714770-28510	SHAFT ASSY, BALANCER	1							
28	1	24101-062024	BALL BEARING	2							
29	1	714250-23610	BEARING U.S=0.25,PIN	1							3
30	1	714250-23620	BEARING U.S=0.50,PIN	1							4

Fig.3. CYLINDER HEAD

(A)=L40AE-DV

(B)=

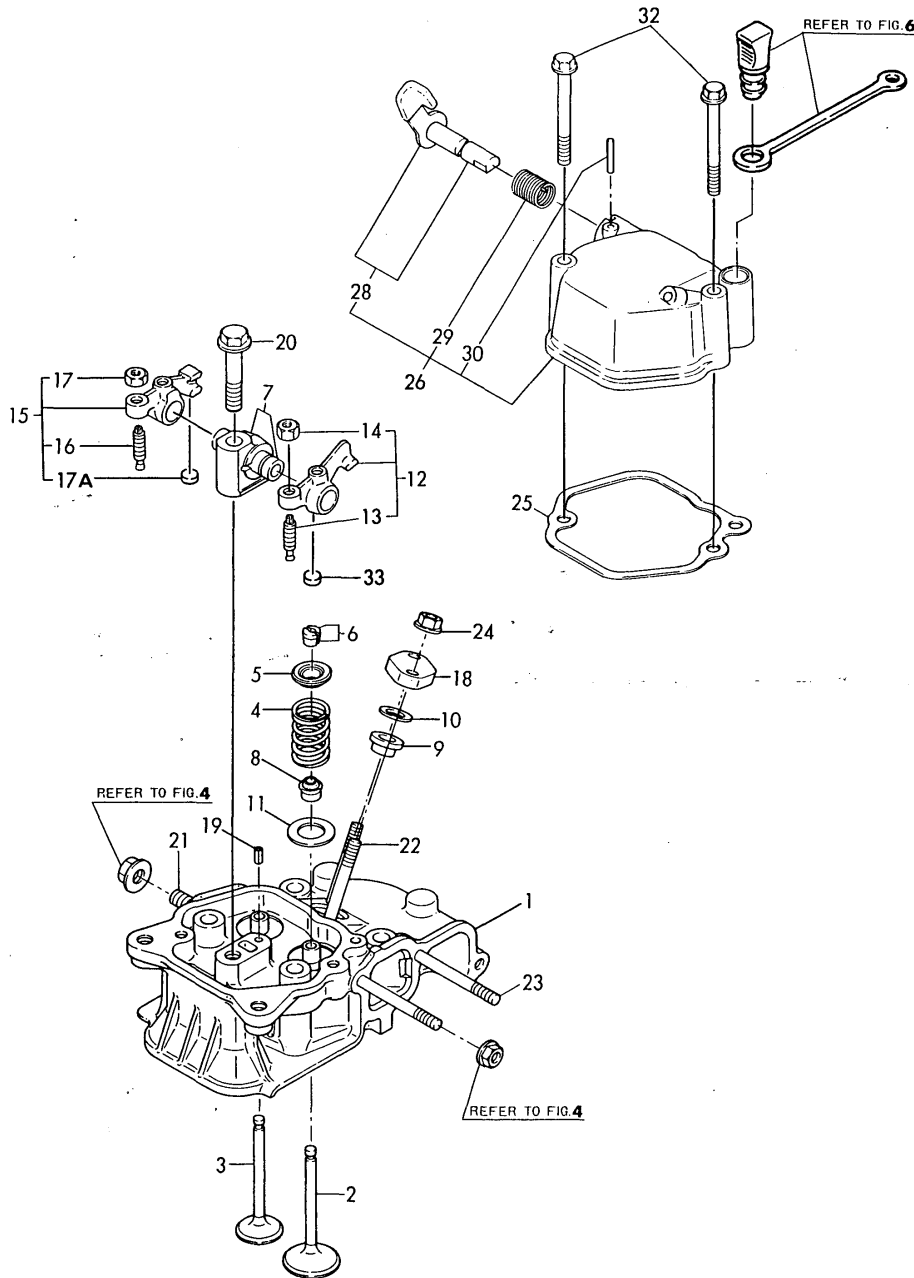
(C)=

(D)=

(E)=

(F)=

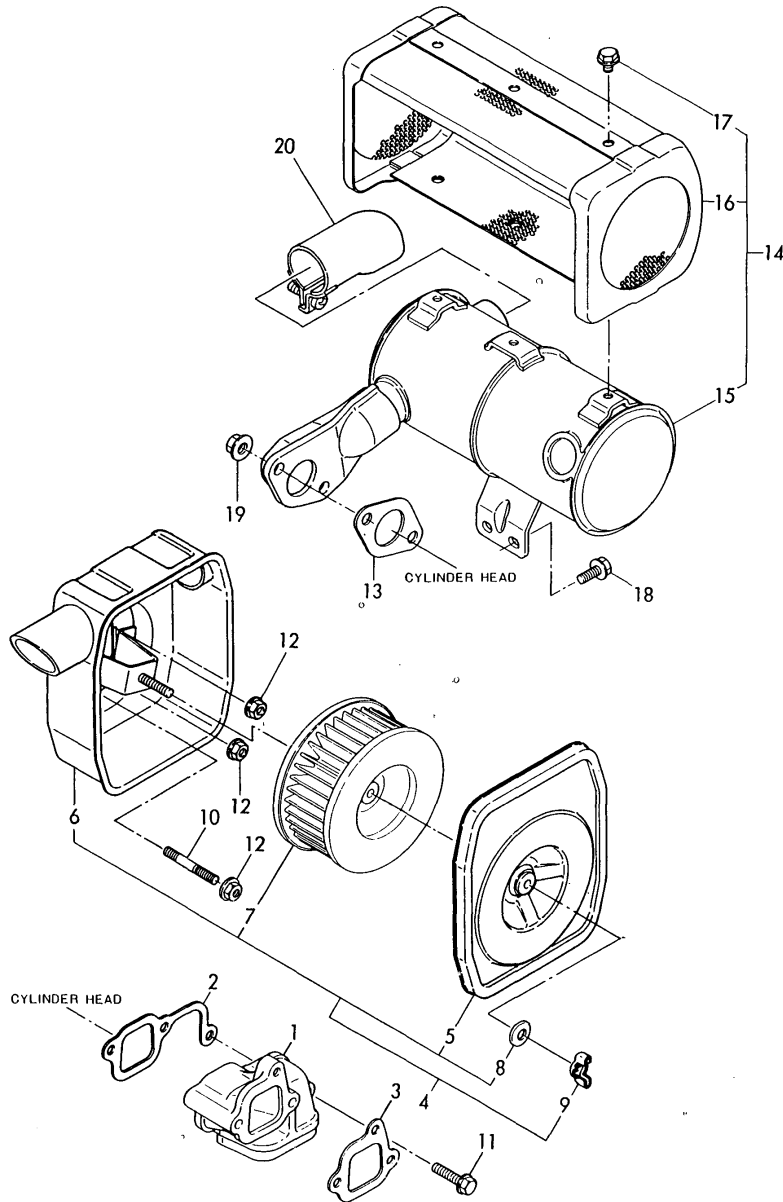
Fig.3 CYLINDER HEAD



REF.	LEV.	PARTS NO.	DESCRIPTION	Q'TY						I	R
				(A)	(B)	(C)	(D)	(E)	(F)		
1	1	114250-11020	HEAD ASSY, CYLINDER	1							
2	1	114250-11101	VALVE, SUCTION	1							
3	1	114250-11113	VALVE, EXHAUST	1							
4	1	114250-11120	SPRING, VALVE	2							
5	1	114250-11180	RETAINER, SPRING	2							
6	1	714250-11570	COTTER	2							
7	1	114250-11290	SUPPORT, ROCKER ARM	1							
8	1	114250-11340	SEAL, VALVE STEM	2							
9	1	114250-11460	GASKET, NOZZLE	1							
10	1	114350-11470	SPACER	1							
11	1	114250-11600	WASHER	2							
12	1	114250-11651	ARM ASSY, INTAKE	1							
13	2	114250-11240	SCREW, VALVE ADJUST.	1							
14	2	26756-060002	LOCK NUT M 6 PLATED	1							
15	1	714270-11660	ARM ASSY, EXHAUST	1							
16	3	114250-11240	SCREW, VALVE ADJUST.	1							
17	3	26756-060002	LOCK NUT M 6 PLATED	1							
17A	2	119260-11370	CAP, VALVE	1							
18	1	114250-11900	RETAINER, NOZZLE	1							
19	1	22351-040008	SPRING PIN 4X 8	1							
20	1	26106-080452	BOLT M 8X 45 PLATED	1							
21	1	26216-080182	STUD M 8X 18 PLATED	2							
22	1	26226-060502	STUD M 6X 50	2							
23	1	26226-060552	STUD M 6X 55	2							
24	1	26366-060002	NUT M 6	2							
25	1	114250-11310	GASKET, BONNET	1							
26	1	114250-11951	BONNET ASSY, HEAD	1							
28	2	114250-03591	SHAFT ASSY, DECOMP.	1							
29	2	114250-03640	SPRING	1							
30	2	22312-030160	PARALLEL PIN 3X16	1							
32	1	26106-060552	BOLT M 6X 55 PLATED	2							
33	1	119260-11370	CAP, VALVE	1							

Fig.4. AIR CLEANER & SILENCER

Fig.4 AIR CLEANER & SILENCER



OCV10-G11500 4. AIR CLEANER & SILENCER

(A)=L40AE-DV

(B)=

(C)=

(D)=

(E)=

(F)=

REF.	LEV.	PARTS NO.	DESCRIPTION	QTY						I	R
				(A)	(B)	(C)	(D)	(E)	(F)		
1	1	114250-12010	PIPE, AIR INTAKE	1							
2	1	114250-12200	GASKET, AIR INTAKE	1							
3	1	114250-12210	GASKET, AIR CLEANER	1							
I 4	1	714268-12581	CLEANER ASSY, AIR	1							M
I 4-1	1	714268-12582	(A=E57449)	1							S M
I 4A	1	114250-12970	CLEANER, AIR	1							
I 4A-1	1	114288-12510	(A=E57449)	1							S
I 5	2	114250-12520	COVER ASSY	1							
I 5-1	2	114288-12590	(A=E57449)	1							S
I 6	2	114250-12980	CASE, AIR CLEANER	1							
I 6-1	2	114288-12530	(A=E57449)	1							S
I 7	2	114250-12580	ELEMENT, WET AIR	1							
I 7-1	2	114650-12590	(A=E57449)	1							S
I 8	2	114250-12560	WASHER, SEAL	1							
I 8-1	2	114252-12560	(A=E57449)	1							S
I 9	1	114250-12550	WING NUT (M6)	1							
I 9-1	1	114252-12550	(A=E57449)	1							S
10	1	26226-060142	STUD M 6X 14 PLATED	1							
11	1	26106-060252	BOLT M 6X 25 PLATED	1							
12	1	26366-060002	NUT M 6	3							
13	1	114250-13200	GASKET, MUFFLER	1							
14	1	114250-13521	MAFFLER W/COVER	1							
I 14-1	1	114288-13500	(A=E57449)	1							S
I 15	2	114250-13531	(A=E57449) MUFFLER ASSY	1							Z
I 16	2	114250-13701	(A=E57449) COVER, MUFFLER	1							Z
I 17	2	26106-060082	(A=E57449) BOLT M 6X 8 PLATED	6							Z
18	1	26106-060122	BOLT M 6X 12 PLATED	2							
19	1	26366-080002	NUT 8	2							
20	1	114268-13800	EXTENSION, EXH.	1							

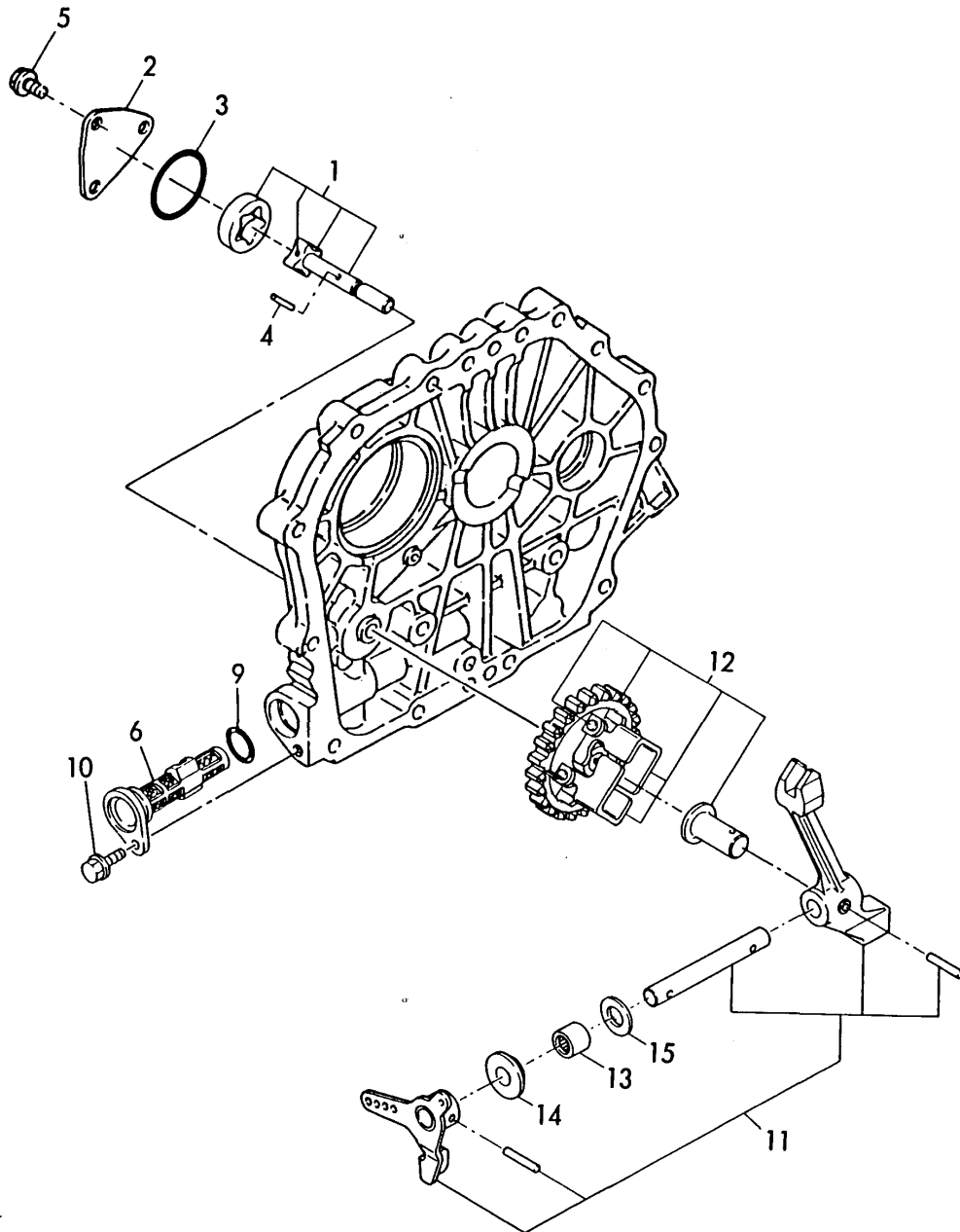
Remarks
(M) MISPRINT.

Fig.5. LUB. OIL PUMP & GOVERNOR

(A)=L40AE-DV
(B)=
(C)=

(D)=
(E)=
(F)=

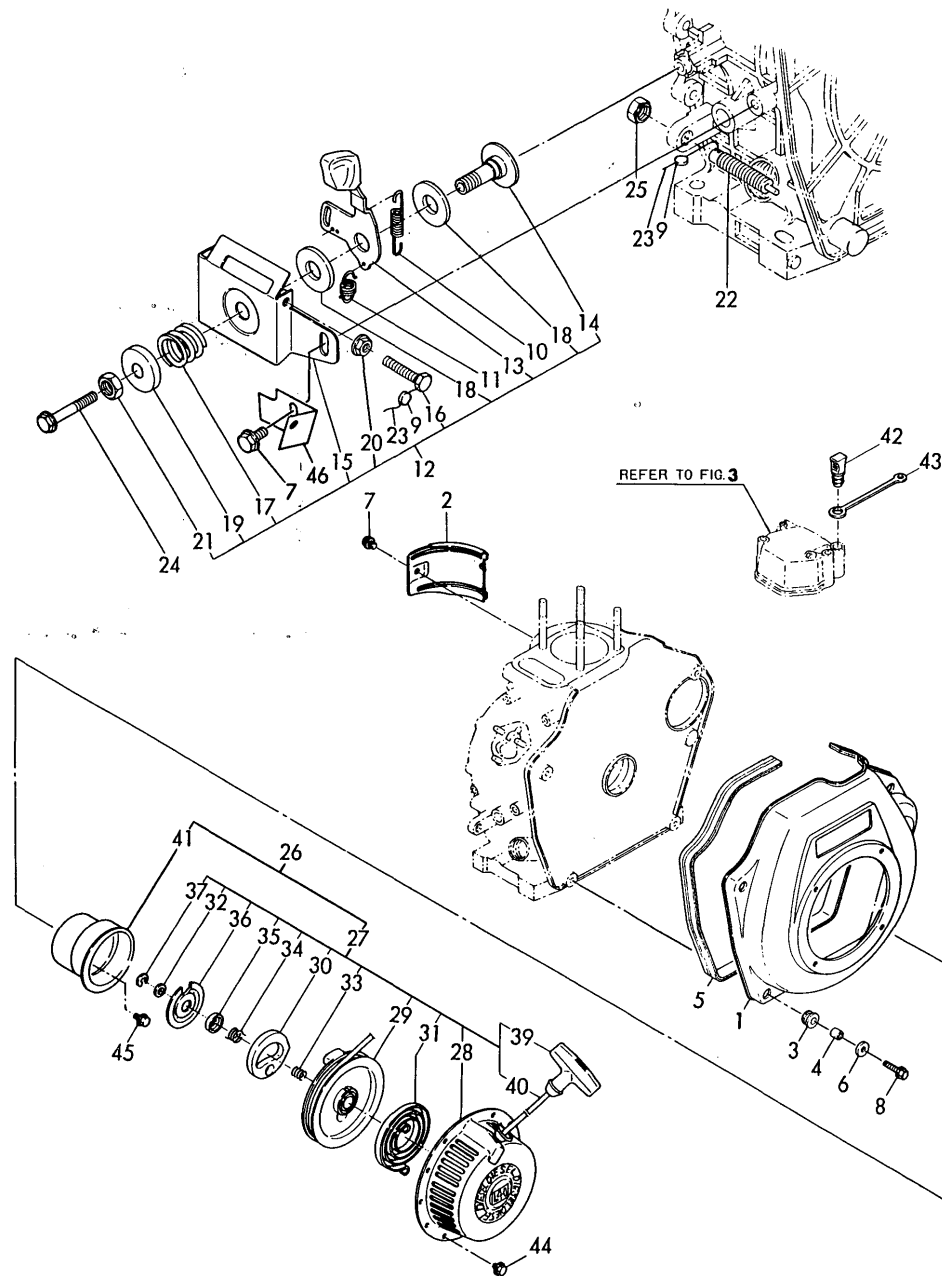
Fig.5 LUB. OIL PUMP&GOVERNOR



REF.	LEV.	PARTS NO.	DESCRIPTION	QTY						I	R
				(A)	(B)	(C)	(D)	(E)	(F)		
1	1	114250-32010	PUMP ASSY, LUB.OIL	1							
2	1	114250-32070	COVER, LUB. OIL PUMP	1							
3	1	103338-32570	O-RING	1							
4	1	22312-030160	PARALLEL PIN 3X16	1							
5	1	26476-060142	BOLT M 6X 14	3							
6	1	114250-35070	STRAINER, LUB. OIL	1							
9	1	24341-000224	O-RING 1A S-22.4	1							
10	1	26106-060162	BOLT M 6X 16 PLATED	1							
11	1	714250-61500	LEVER ASSY, GOVERNOR	1							
12	1	714770-61700	GOVERNOR ASSY	1							
13	1	121450-61520	NEEDLE BEARING FJ810	2							
14	1	114250-61900	BUSH, THRUST	1							
15	1	22137-080000	WASHER 8,POLISHED	1							

Fig.6. STARTING & CONTROL

Fig.6 STARTING & CONTROL



(A)=L40AE-DV

(B)=

(C)=

(D)=

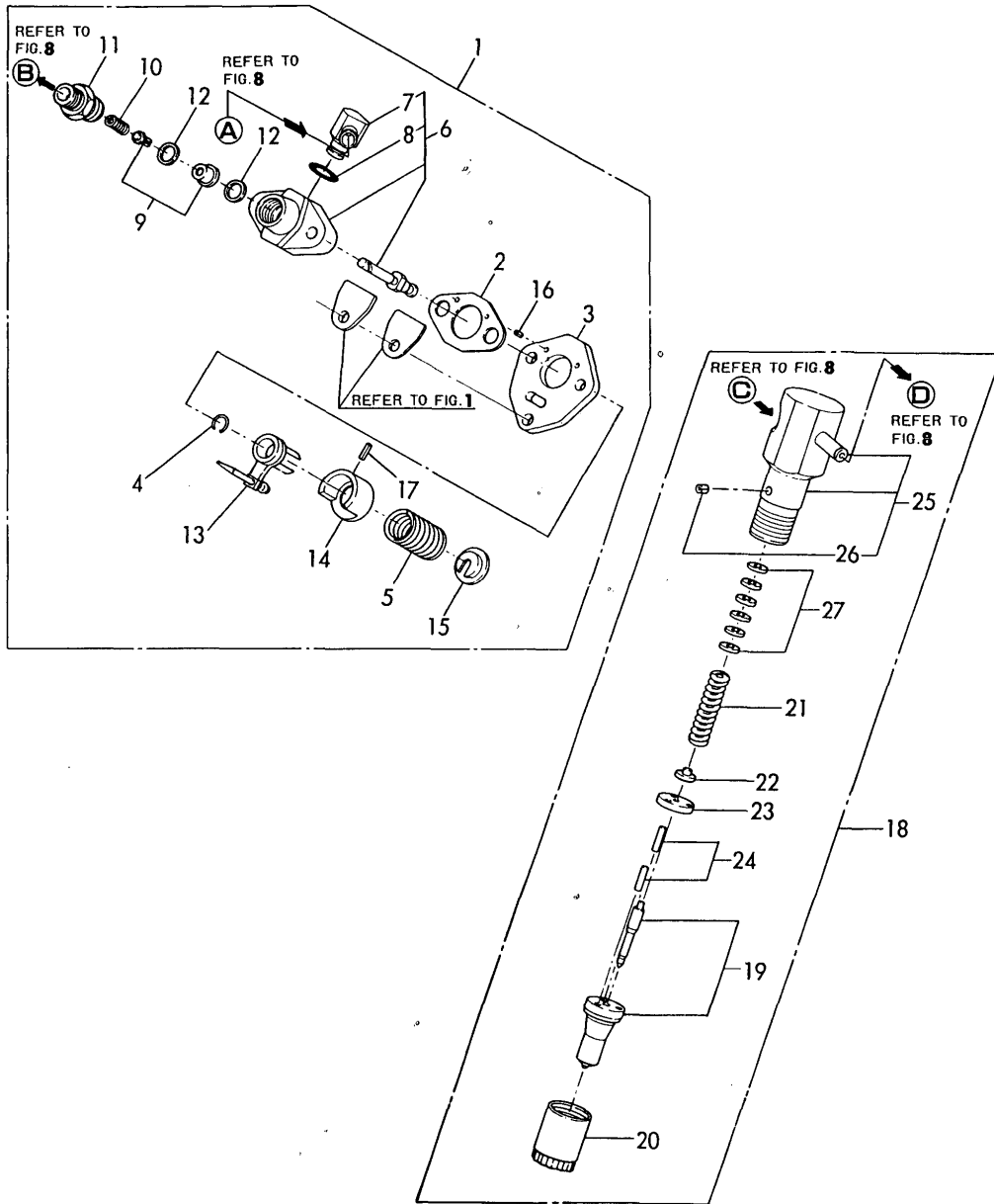
(E)=

(F)=

REF.	LEV.	PARTS NO.	DESCRIPTION	QTY						I	R
				(A)	(B)	(C)	(D)	(E)	(F)		
1	1	114780-45100	CASE(D), COOLING FAN	1							
2	1	114250-45211	COVER, CYLINDER	1							
3	1	114250-45300	SHOCK ABSORBER	4							
4	1	114250-45310	COLLAR	4							
5	1	114250-45330	SEAL	1							
6	1	160120-76940	WASHER	4							
7	1	26476-060142	BOLT M 6X 14	2							
8	1	26476-060252	BOLT M 6X 25	4							
9	1	135210-61090	LEAD	2							
10	1	114770-66010	SPRING, REGULATOR	1							
11	1	114250-66200	SPRING, RETURN	1							
12	1	114254-66200	BRACKET ASSY,REGULAT	1							
13	2	114254-66210	HANDLE, REGULATOR	1							
14	2	183250-66070	SHAFT, HANDLE	1							
15	2	183250-66100	BRACKET, REGULATOR	1							
16	2	114250-66440	BOLT, ADJUSTING	1							
17	2	104200-66820	SPRING	1							
18	2	104200-66830	PLATE, FRICTION	2							
19	2	104200-66850	WASHER (B)	1							
20	2	26757-060002	NUT 6	1							
21	2	26696-100002	NUT M10	1							
22	1	114250-66550	TORQUE SPRING ASSY	1							
23	1	22451-060000	WIRE 0.6	2							
24	1	26106-060452	BOLT M 6X 45 PLATED	1							
25	1	26696-100002	NUT M10	1							
26	1	114260-76050	STARTER ASSY, RECOIL	1							
27	2	114260-76250	RECOIL ASSY	1							
28	3	114260-76520	CASE, STARTER	1							
29	3	160260-76520	REEL	1							
30	3	160260-76530	RATCHET	1							
31	3	160260-76540	SPRING, SPIRAL	1							
32	3	160260-76550	WASHER, THRUST	1							
33	3	160260-76560	SPRING, FRICTION	1							
34	3	160290-76570	SPRING, RETURN	1							
35	3	160260-76580	COVER, SPRING	1							
36	3	160260-76590	PLATE, FRICTION	1							
37	3	160260-76600	CIRCLIP(E)	1							
39	4	160260-76620	KNOB, STARTER	1							
40	4	160260-76630	ROPE, STARTER	1							
41	2	114250-76590	PULLEY, STARTER	1							
42	1	114250-76600	PLUNGER	1							
43	1	114250-76610	HOLDER, PLUNGER	1							
44	1	26106-060082	BOLT M 6X 8 PLATED	4							
45	1	26106-060122	BOLT M 6X 12 PLATED	3							
46	1	114254-66220	SUPPORT	1							

Fig.7. FUEL INJECTION DEVICE

Fig.7 FUEL INJECTION DEVICE



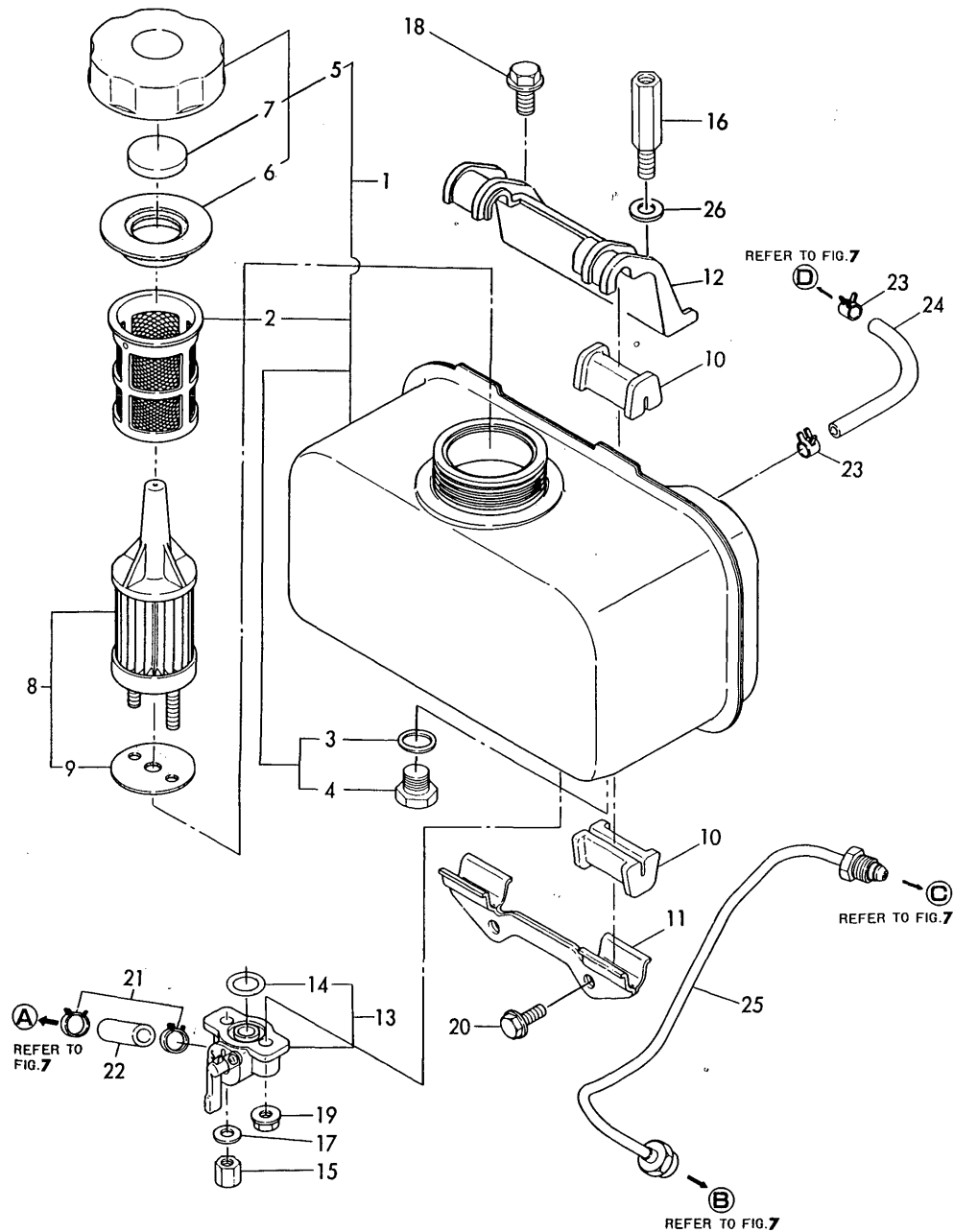
(A)=L40AE-DV
(B)=
(C)=

(D)=
(E)=
(F)=

REF.	LEV.	PARTS NO.	DESCRIPTION	QTY						I	R
				(A)	(B)	(C)	(D)	(E)	(F)		
1	1	714250-51710	PUMP ASSY. F.INJECT.	1							
2	2	105546-51020	GASKET	1							
3	2	114250-51080	PLATE	1							
4	2	114250-51150	SNAP RING	1							
5	2	114250-51160	SPRING	1							
6	2	114250-51200	BODY, FUEL PUMP	1							
7	3	114250-51180	JOINT	1							
8	3	114250-51190	O-RING	1							
9	2	114250-51300	VALVE ASSY, DELIVERY	1							
10	2	105546-51330	SPRING, DELIV. VALVE	1							
11	2	114250-51340	HOLDER, F.I.P.DELIVE	1							
12	2	124550-51350	GASKET, DELIVERY	2							
13	2	114250-51600	LEVER ASSY, CONTROL	1							
14	2	114250-51640	SEAT (A), SPRING	1							
15	2	114250-51650	SEAT (B), SPRING	1							
16	2	22351-020006	SPRING PIN 2X 6	1							
17	2	22351-030008	SPRING PIN 3X 8	1							
18	1	714250-53101	VALVE ASSY, F.INJECT	1							
19	2	114250-53001	NOZZLE ASSY,F.INJECT	1							
20	2	114250-53080	NUT, NOZZLE CASE	1							
21	2	114250-53120	SPRING, NOZZLE	1							
22	2	114250-53130	SPRING, SEAT	1							
23	2	114250-53140	PLATE, STOP	1							
24	2	114250-53210	PIN	2							
25	2	114250-53300	HOLDER ASSY, NOZZLE	1							
26	3	114250-53331	PIN, SPRING	1							
27	2	114250-53400	SHIM PACK	1							

Fig.8. FUEL TANK & PIPE

Fig.8 FUEL TANK & PIPE



(A)=L40AE-DV

(B)=

(C)=

(D)=

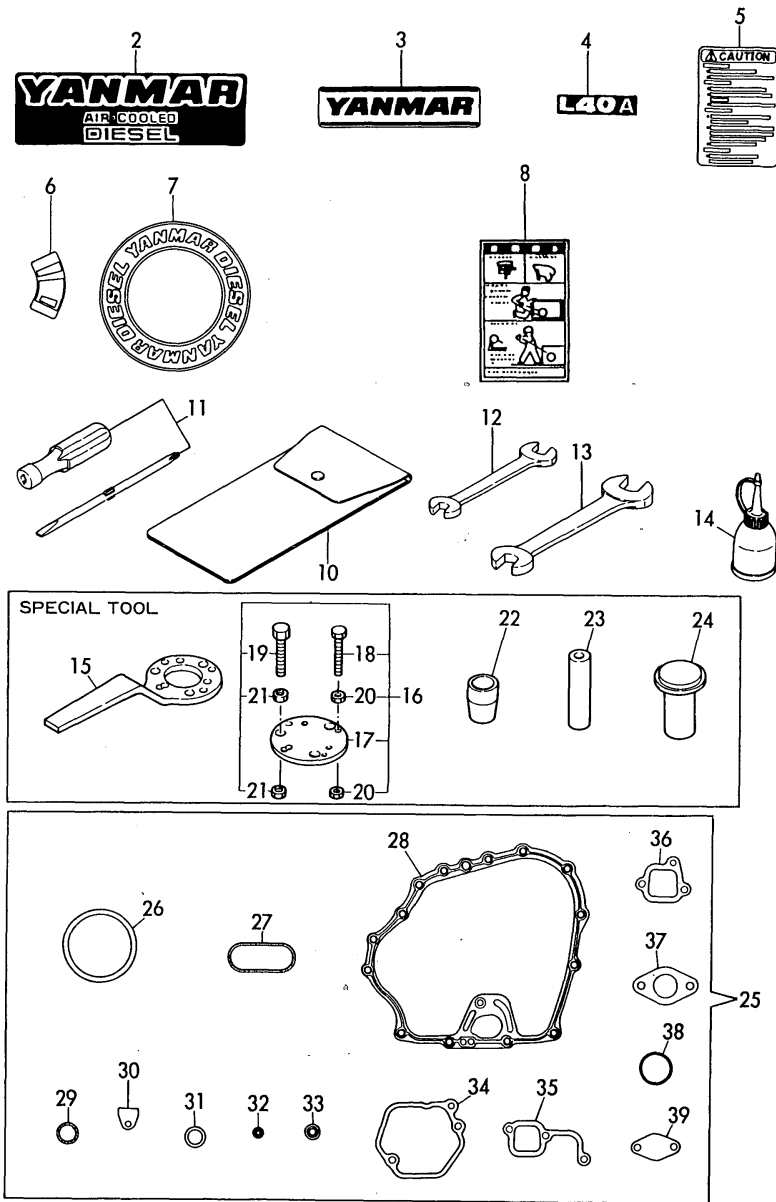
(E)=

(F)=

REF.	LEV.	PARTS NO.	DESCRIPTION	QTY						I	R
				(A)	(B)	(C)	(D)	(E)	(F)		
1	1	714268-55751	TANK ASSY.FUEL(DV	1							
2	2	114250-55100	FILTER, FUEL	1							
3	2	23414-120000	GASKET 12, ROUND	1							
4	2	23887-120002	PLUG 12,HEX.	1							
5	2	114250-55041	CAP, TANK	1							
6	3	114250-55050	GASKET	1							
7	3	114250-55060	SEAL	1							
8	1	114250-55120	FILTER, FUEL OIL	1							
9	2	114250-55130	GASKET	1							
10	1	114250-55201	DAMPER, FUEL TANK	4							
11	1	114250-55211	STAY (A)	1							
12	1	114250-55231	STAY (B)	1							
13	1	114250-55300	COCK ASSY, FUEL	1							
14	2	24341-000150	O-RING 1A S-15.0	1							
15	1	114252-55800	NUT	1							
16	1	114650-55810	BOLT, LIFTING	1							
17	1	22117-060000	WASHER 6	1							
18	1	26106-080452	BOLT M 8X 45 PLATED	1							
19	1	26366-060002	NUT M 6	1							
20	1	26476-060142	BOLT M 6X 14	2							
21	1	106990-44660	BAND, HOSE	2							
22	1	114250-59050	PIPE, FUEL OIL	1							
23	1	124722-59050	CLAMP 9	2							
24	1	114250-59060	PIPE, FUEL RETURN	1							
25	1	114250-59800	PIPE, FUEL INJECTION	1							
26	1	22117-080000	WASHER 8	1							

Fig.9. LABELS, TOOLS & GASKET SET

Fig.9 LABELS, TOOLS & GASKET SET



Remarks
(1) OPTIONAL PART.

(A)=L40AE-DV
(B)=
(C)=

(D)=
(E)=
(F)=

REF.	LEV.	PARTS NO.	DESCRIPTION	QTY						I	R
				(A)	(B)	(C)	(D)	(E)	(F)		
2	1	114250-07090	LABEL, AIR COOLED	1							
3	1	114250-07110	LABEL, YANMAR	1							
4	1	114270-07050	LABEL(L40A)	1							
5	1	114268-07240	LABEL, CAUTION	1							
6	1	183250-07230	LABEL, OPERATION	1							
7	1	114250-07350	LABEL, YANMAR DIESEL	1							
8	1	114268-07350	LABEL, HOW TO START	1							
10	1	114250-92600	BAG, TOOL	1							
11	1	160330-92730	SCREWDRIVER	1							
12	1	28110-100120	WRENCH 10X12	1							
13	1	28110-140170	WRENCH 14X17	1							
14	1	28210-000150	FEEDER, OIL	1							
15	1	114250-92101	F.W. LOCKING HANDLE	1							1
16	1	114250-92130	REMOVER, FLYWHEEL	1							1
17	2	114250-92121	REMOVER, FLYWHEEL	1							1
18	2	26116-060454	BOLT M 6X 45 PLATED	4							1
19	2	26116-080454	BOLT M 8X 45 PLATED	3							1
20	2	26716-060002	NUT M6	8							1
21	2	26716-080002	NUT M 8	6							1
22	1	114268-92300	GUIDE, OIL SEAL	1							1
23	1	114250-92311	INSTALLING TOOL	1							1
24	1	114250-92350	INSTALLING TOOL	1							1
25	1	714250-92602	GASKET SET	1							1
26	2	114250-01340	GASKET, CYL. HEAD	1							
27	2	114250-01380	O-RING	1							
28	2	114250-01412	GASKET, CRANK CASE	1							
29	2	24311-000180	O-RING 1A P-18.0	2							
30	2	114250-01840	GASKET	1							
31	2	43400-500490	SEAL WASHER 16	2							
32	2	114250-11340	SEAL, VALVE STEM	2							
33	2	114250-11460	GASKET, NOZZLE	1							
34	2	114250-11310	GASKET, BONNET	1							
35	2	114250-12200	GASKET, AIR INTAKE	1							
36	2	114250-12210	GASKET, AIR CLEANER	1							
37	2	114250-13200	GASKET, MUFFLER	1							
38	2	103338-32570	O-RING	1							
39	2	114250-35270	GASKET, L.O.STRAINER	1							

Part Number Index

All parts are stipulated in the order of part numbers.

(Depending on the area in which the part is used.)

This index will display the location of the part according to each part number.

PARTS No. INDEX

PARTS No.	Fig.	Ref.No.
103338-32570	5	3
	9	38
103854-01221	2	20
104200-66820	6	17
104200-66830	6	18
104200-66850	6	19
105425-01690	1	11
105546-51020	7	2
105546-51330	7	10
106990-44660	8	21
114250-01200	1	2
114250-01210	1	3
114250-01220	1	4
114250-01250	1	5
114250-01340	1	7
	9	26
114250-01380	1	8
	9	27
114250-01412	1	9
	9	28
114250-01800	1	14
114250-01830	1	15
114250-01840	1	16
	9	30
114250-02030	1	25
114250-02100	1	26
114250-02113	1	27
114250-02200	1	34
114250-02210	1	35
114250-03591	3	28
114250-03640	3	29
114250-07090	9	2
114250-07110	9	3
114250-07350	9	7
114250-11020	3	1
114250-11101	3	2
114250-11113	3	3
114250-11120	3	4
114250-11180	3	5
114250-11240	3	13
		16
114250-11290	3	7
114250-11310	3	25
	9	34
114250-11340	3	8
	9	32
114250-11460	3	9
	9	33
114250-11600	3	11
114250-11651	3	12

PARTS No.	Fig.	Ref.No.
114250-11900	3	18
114250-11951	3	26
114250-12010	4	1
114250-12200	4	2
	9	35
114250-12210	4	3
	9	36
114250-12520	4	5
114250-12550	4	9
114250-12560	4	8
114250-12580	4	7
114250-12970	4	4 A
114250-12980	4	6
114250-13200	4	13
	9	37
114250-13521	4	14
114250-13531	4	15
114250-13701	4	16
114250-14200	2	16
114250-14260	2	17
114250-14450	2	18
114250-21550	2	25
114250-22302	2	3
114250-23200	2	10
114250-23220	2	11
114250-23250	2	12
114250-32010	5	1
114250-32070	5	2
114250-35070	5	6
114250-35150	1	33
114250-35270	9	39
114250-45211	6	2
114250-45300	6	3
114250-45310	6	4
114250-45330	6	5
114250-51080	7	3
114250-51150	7	4
114250-51160	7	5
114250-51180	7	7
114250-51190	7	8
114250-51200	7	6
114250-51300	7	9
114250-51340	7	11
114250-51600	7	13
114250-51640	7	14
114250-51650	7	15
114250-53001	7	19
114250-53080	7	20
114250-53120	7	21
114250-53130	7	22

PARTS No.	Fig.	Ref.No.
114250-53140	7	23
114250-53210	7	24
114250-53300	7	25
114250-53331	7	26
114250-53400	7	27
114250-55041	8	5
114250-55050	8	6
114250-55060	8	7
114250-55100	8	2
114250-55120	8	8
114250-55130	8	9
114250-55201	8	10
114250-55211	8	11
114250-55231	8	12
114250-55300	8	13
114250-59050	8	22
114250-59060	8	24
114250-59800	8	25
114250-61900	5	14
114250-66200	6	11
114250-66440	6	16
114250-66550	6	22
114250-76590	6	41
114250-76600	6	42
114250-76610	6	43
114250-92101	9	15
114250-92121	9	17
114250-92130	9	16
114250-92311	9	23
114250-92350	9	24
114250-92600	9	10
114252-12550	4	9 -1
114252-12560	4	8 -1
114252-55800	8	15
114254-66200	6	12
114254-66210	6	13
114254-66220	6	46
114260-01453	1	10
114260-76050	6	26
114260-76250	6	27
114260-76520	6	28
114268-07240	9	5
114268-07350	9	8
114268-13800	4	20
114268-92300	9	22
114270-07050	9	4
114288-12510	4	4 A-1
114288-12530	4	6 -1
114288-12590	4	5 -1
114288-13500	4	14 -1

PARTS No.	Fig.	Ref.No.
114350-11470	3	10
114650-12590	4	7 -1
114650-55810	8	16
114770-66010	6	10
114780-21400	2	24
114780-45100	6	1
119260-11370	3	17 A
		33
121450-61520	5	13
124550-51350	7	12
124722-59050	8	23
124950-01250	1	6
135210-61090	6	9
160110-02220	1	28
160120-76940	6	6
160210-02220	1	29
160260-76520	6	29
160260-76530	6	30
160260-76540	6	31
160260-76550	6	32
160260-76560	6	33
160260-76580	6	35
160260-76590	6	36
160260-76600	6	37
160260-76620	6	39
160260-76630	6	40
160290-76570	6	34
160310-14550	2	21
160330-92730	9	11
160710-01760	1	12
183250-07230	9	6
183250-66070	6	14
183250-66100	6	15
43400-500490	1	24
	9	31
714250-11570	3	6
714250-22502	2	2
714250-22542	2	6
714250-22550	2	8
714250-23600	2	14
714250-23610	2	29
714250-23620	2	30
714250-23703	2	9
714250-51710	7	1
714250-53101	7	18
714250-61500	5	11
714250-92602	9	25
714268-12581	4	4
714268-12582	4	4 -1
714268-55751	8	1

MODEL : L40AE-DV (DUOMAT)
PC NO : 0CV10-G11500

PARTS No. INDEX

PARTS No.	Fig.	Ref.No.
714270-11660	3	15
714271-01560	1	1
714280-22580	2	7
714280-22620	2	5
714280-22720	2	1
714288-21740	2	19
714770-28510	2	27
714770-61700	5	12
714780-14580	2	15

PARTS No.	Fig.	Ref.No.
-----------	------	---------

PARTS No.	Fig.	Ref.No.
-----------	------	---------

PARTS No.	Fig.	Ref.No.
-----------	------	---------



YANMAR CO.,LTD.