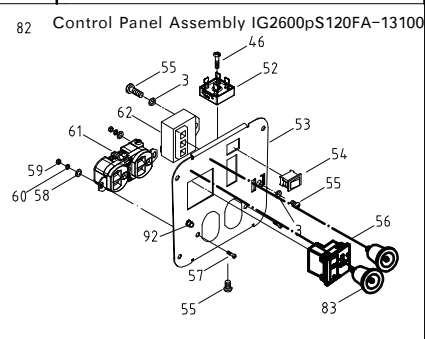
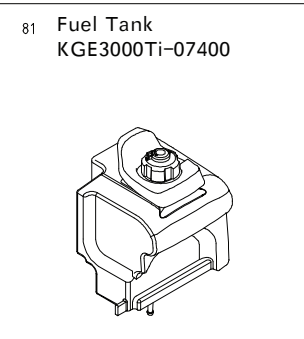
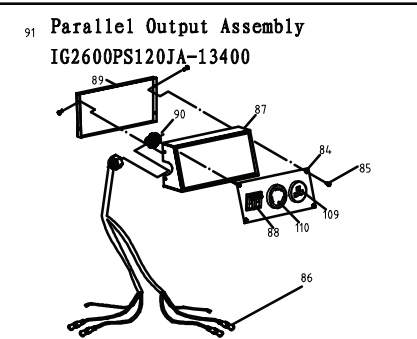
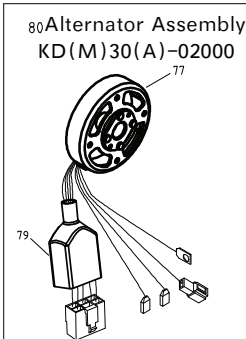
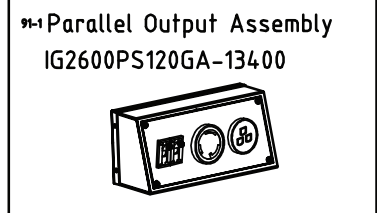
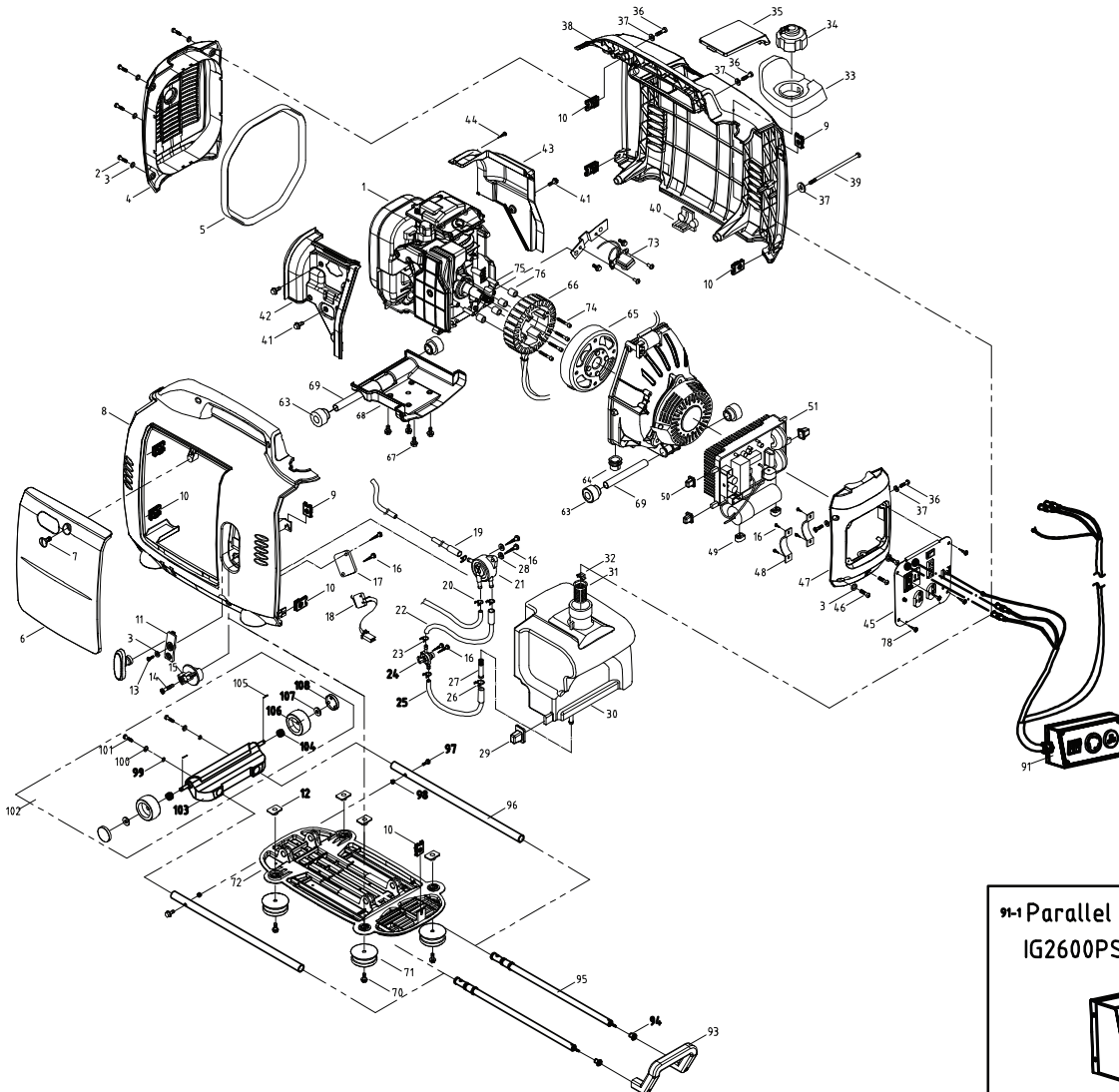


IG2600/IG2600H (EPA)



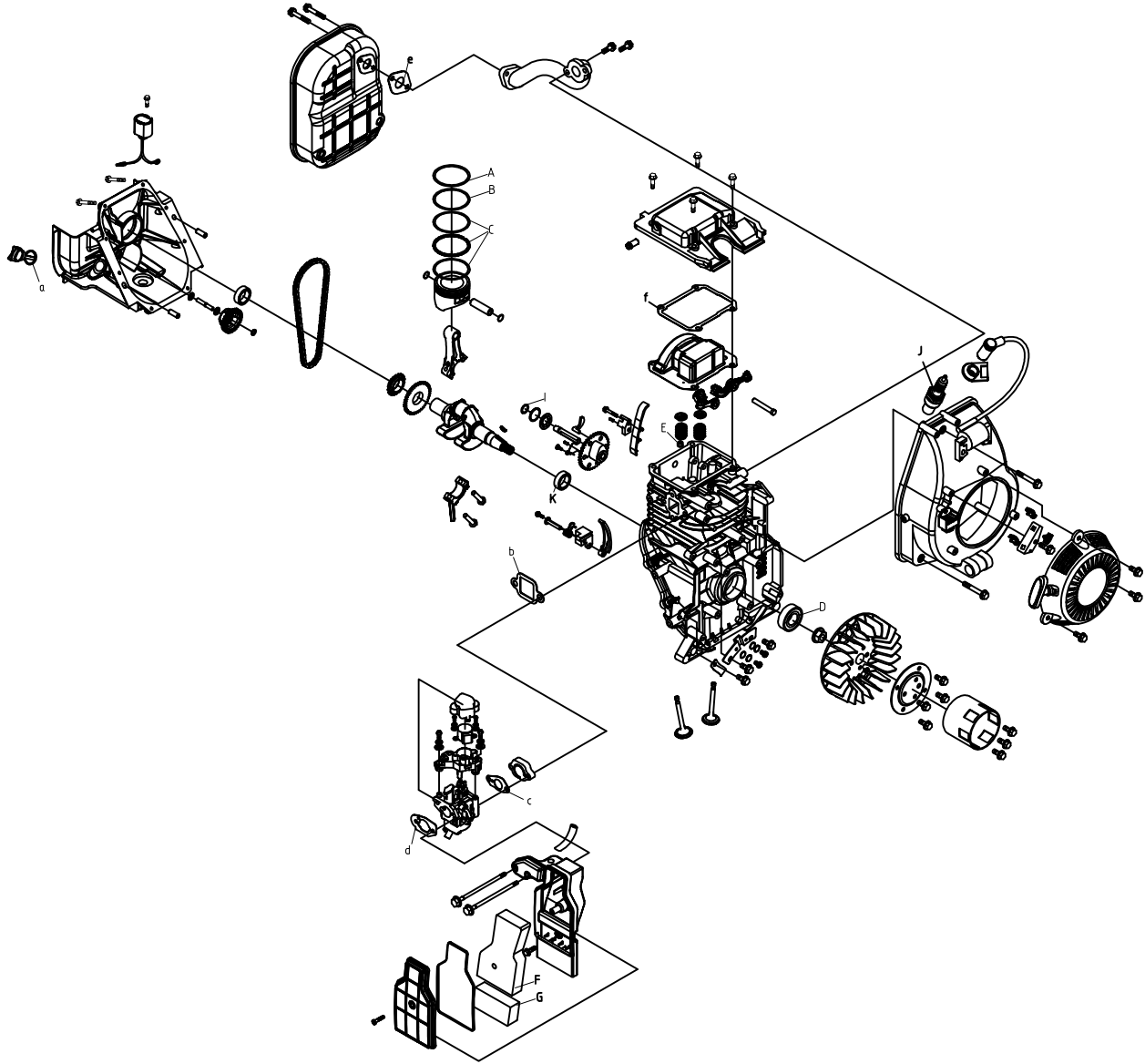
Ref	P/N	Description	Qty	Ref	P/N	Description	Qty	Ref	P/N	Description	Qty	Ref	P/N	Description	Qty
1	KG166-00000	166 Gasoline Engine Assembly	1	24	KGE1000TI-07300	Fuel Switch Assembly	1	47	KGE3000TI-03100	Front Cover & Insert	1	70	GB/T5789-2000	Hexagon Flange Bolt M6X20	4
2	GB/T818-2000	Cross Recessed Pan Head Screw M5X16	4	25	KGE3000TI-b-07000	Fuel Pipe I	1	48	KGE3000TI-13003	Capacitance Trim Strip	2	71	KGE2000TI-03004	Foot Pad	4
3	GB/T97.1-2002	Back Up Ring 5	9	26	KGE1000TI-07012	Hold Hoop Ø10	1	49	KGE1000TI-00008	Module Shock Absorbing Pad	2	72	KGE3000TI-037004	Bottom Plate & Insert	1
4	KGE3000TI-03200	Rear Cover & Insert	1	27	KGE1000TI-07004	Filter Net	1	50	KGE1000TI-00004	Rubber Square Protection Rack	3	73	KGE3000TI-13601	Trigger	1
5	KGE3000TI-03001	Rear Cover Seal	1	28	GB/97.1-2002	Back Up Ring 4	2	51	DU25-C	Inverter	1	74	GB/T770.1-2000	Hexagon Socket Head Cap Screw M6X50	4
6	KGE3000TI-03500	Side Door	1	29	KGE3000TI-03014	Fuel Tank Shock Absorbing Pad	1	52	KBP2510	Rectifier	1	75	KD30-02205	Stator Location Pin I	2
7	KGE3000TI-00006	Screw M6 (Blacken Treatment)	1	30	KGE3000TI-07100	Fuel Tank	1	53	KGE3000TI-13110	Control Panel	1	76	KD30-02206	Stator Location Pin II	4
8	KGE3000TI-03400	Left Cover & Insert	1	31	KGE1000TI-07011	Filter Bow	1	54	RF-1003-BB2	Smart Throttle	1	77	KD(M)30(A)-02000	Alternator Assembly	1
9	KGE3000TI-03008	Insert I M6	2	32	KGE1000TI-07013	Fuel Indicator	1	55	GB/T818-2000	Cross Recessed Pan Head Screw M6X12	3	78	GB/T845-1985	Screw S3.8X16 (Blacken Treatment)	4
10	KGE3000TI-03008	Insert I M5	7	33	KGE3000TI-07005	Fuel Tank Entrance Pad	1	56	WZ-22-a	DC Receptacle	1	79	KGE1000TI-13301	Electrical Protection Shell	1
11	KGE1000TI-06102	Handle Fixture	1	34	KGE1000TI-07200	Fuel Tank Cover	1	57	GB/T818-2000	Cross Recessed Pan Head Screw M4X16	8	80	KD(M)30(A)-02000	Alternator Assembly	1
12	KGE3000TI-03009	Insert II	4	35	KGE3000TI-03600	Spark Plug Maintenance Door	1	58	GB/T97.1-2002	Back Up Ring 4	2	81	KGE3000TI-07400	Fuel Tank	1
13	GB/T818-2000	Cross Recessed Pan Head Screw M5X20 (Blacken Treatment)	1	36	GB/T818-2000	Cross Recessed Pan Head Screw M6X20	4	59	GB/T41-2000	Hexagon Nut M4	2	82	IG2600pS120FA-13100	Control Panel Assembly	1
14	KGE1000TI-07304	Screw	1	37	GB/T97.1-2002	Back Up Ring 6	6	60	GB/T93-1987	Elastic Back Up Ring 4	2	83	KT5A62	Parallel Output Socket	2
15	KGE1000TI-07008	Fuel Switch Handle	1	38	KGE3000TI-03300	Right Cover & Insert	1	61	5-20R	Duplex Receptacle	2	84	IG2600PS120JA-13400	Receptacle Output Board	1
16	GB/T845-1985	Screw ST3.8X16	10	39	KGE3000TI-03002	Hexagon Head Recessed Bolt	2	62	KI-DHQ-30	3 In 1 Ignitor	1	85	GB/T818-2000	Screw M10X10	10
17	KGE3000TI-03017	Micro Switch Baffle Plate	1	40	KGE3000TI-03012	Light Blue Cover Cross Protection Bolt	1	63	KGE3000TI-12101	Shock Absorbing Pad	4	86	IG2600PS120GA-13400	Power Cord L=1.7M	2
18	KW4A-26CSP200	Micro Switch	1	41	GB/T5789-2000	Hexagon Flange Bolt M6X12	3	64	KGE2000TI-04400	Alternator Wiring Entrance Seal Pad	1	87	IG2600PS120GA-13400	Receptacle Cover	1
19	KGE3000TI-b-07003	Fuel Pipe III	1	42	KGE3000TI-04200	Inlet Side Baffle Plate	1	65	KD(M)30(A)-02200	Motor Assembly	1	88	BSB1-50 2P 50A	Circuit Protector	2
20	KGE1000TI-07007	Hold Hoop Ø8	3	43	KGE3000TI-04100	Exhaust Side Baffle Plate	1	66	KD(M)30(A)-02100	Motor Assembly	1	89	IG2600PS120GA-13400	Rear Cover	1
21	KGE1000TI-07100	Fuel Vacuum Pump	1	44	GB/T845-1985	Screw ST2.9X12	1	67	GB/T5789-2000	Hexagon Flange Bolt M8X16	4	90	IG2600PS120GA-13400	Plastic Protection Ring (Diameter=35)	1
22	KGE2000TI-b-07000	Fuel Pipe II	1	45	KGE3000TI-13100	Control Panel Assembly	1	68	KGE3000TI-04300	Downside Airway Baffle Plate	1	91	IG2600PS120GA-13400	Parallel Output Assembly	1
23	KGE1000TI-07006	Hold Hoop Ø7	2	46	GB/T818-2000	Cross Recessed Pan Head Screw M5X20	4	69	KGE2000TI-12102	Hollow Shaft	2	91	IG2600PS120GA-13400	Parallel Output Assembly	1

Ref No	Part Number	ID Number	Description	Qty
1	KG166-0000	61719	Replacement Engine	1
2	GB/T818-2000		Pan Head Screw M5 X 16	4
3	GB/T97.1-2002		Back Up Ring 5	9
4	KGE3000Ti-03200	61883	Rear Cover & Insert	1
5	KGE3000Ti-03001	61875	Rear Cover Seal	1
6	KGE3000Ti-03500	61892	Side Door	1
7	KGE3000Ti-00006	66218	Screw Blacken M6	1
8	KGE3000Ti-03400	61889	Left Cover & Insert	1
9	KGE3000Ti-03008	62399	Insert M5	2
10	KGE3000Ti-03008	62399	Insert M5	7
11	KGE1000Ti-06102	61822	Handle Fixture	1
12	KGE3000Ti-03009	61844	Insert II	4
13	GB/T818-2000		Pan Head Screw Blacked M5x12	1
14	KGE1000Ti-07304	62165	Screw	1
15	KGE1000Ti-07008		Fuel Switch Handle	1
16	GB/T845-1985		Screw ST3.8x16	10
17	KGE3000Ti-03017	61879	Micro Switch Baffle Plate	1
18	KW4A-Z6CSF200	66756	Micro Switch	1
19	KGE3000Ti-b-07003a	62278	Fuel Pipe III	1
20	KGE1000Ti-07007	62152	Hold Hoop 9	3
21	KGE1000Ti-07100	65924	Vacuum Fuel Pump	1
22	KGE2000Ti-b-07002	68702	Fuel Pipe II	1
23	KGE1000Ti-07006	62171	Hold Hoop 7	2
24	KGE1000Ti-07300	61827	Fuel Switch Handle	1
25	KGE3000Ti-b-07001	61909	Fuel Pipe I	1
26	KGE1000Ti-07012	61000	Hold Hoop 10	1
27	KGE1000Ti-07004	66749	Filter Strainer	1
28	GB/T97.1-2002	62153	Back Up Ring 4	2
29	KGE3000Ti-03014	62279	Fuel Tank Shock Absorbing Sheath	1
30	KGE3000Ti-07100	61899	Fuel Tank	1
31	KGE1000Ti-07011	66227	Filter Bow	1
32	KGE1000Ti-07013	66954	Fuel Indicator	1
33	KGE3000Ti-07005	62128	Fuel Tank Entrance Pad	1
34	KGE1000Ti-07200	66228	Fuel Tank Cover	1
35	KGE3000Ti-03600	61894	Spark Plug Maintenance Door	1
36	GB/T818-2000		Pan Head Screw M6x20	4
37	GB/T97.1-2002		Back Up Ring 6	6
38	KGE3000Ti-03300	61885	Right Cover & Insert	1
39	KGE3000Ti-03002	62280	Hex Bolt	2
40	KGE3000Ti-03012	62281	Right Cross Protection Block	1
41	GB/T5789-2000		Hex Bolt M6x12	3
42	KGE3000Ti-04200	62282	Inlet Side Baffle Plate	1
43	KGE3000Ti-04100	62283	Exhaust Side Baffle Palte	1
44	GB/T845-1985		Screw ST2.9x12	1
45	KGE3000Ti-13100	62285	Control Panel Assembly	1
46	GB/T818-2000		Pan Head Screw M5x20	4

47	KGE3000Ti-03100	61881	Front Panel & Insert	1
48	KGE3000Ti-13003	62286	Trim Strip	2
49	KGE1000Ti-00008	62156	Shock Absorbing Pad	2
50	KGE1000Ti-00004	62160	Rubber Square Protection Rack	3
51	DU25-C	61460	Inverter	1
52	KBPC2510	66517	Rectifier	1
53	KGE3000Ti-13100	62285	Control Panel Assembly	1
54	RF-1003-BB2	66498	Smart Throttle Switch	1
55	GB/T818-2000		Pan Head Screw M5x12	3
56	WZ-Z2-a	67569	DC Receptacle	1
57	GB/T818-2000		Pan Head Screw M4X16	8
58	GB/T97.1-2002	62153	Back Up Ring 4	2
59	GB/T41-2000		Hex Nut M4	2
60	GB/T93-1987		Elastic Back Up Ring 4	2
61	5-20R	10916	Duplex Receptacle	2
62	KI-DHQ-30	68153	3-in-1 Ignitor	1
63	KGE3000Ti-12101	61904	Vibration Isolator	4
64	KGE2000Ti-04400	62270	Wire Outlet Seal Pad	1
65	KD (M) 30 (A)-02200	62288	Rotor Assembly	1
66	KD (M) 30 (A)-02100	62289	Stator Assembly	1
67	GB/T5789-2000		Hex Bolt M8x16	4
68	KGE3000Ti-04300	62291	Downside Airway Baffle Plate	1
69	KGE2000Ti-12102	62292	Hollow Shaft	2
70	GB/T5789-2000		Hex Bolt M6x20	4
71	KGE2000Ti-03004	66234	Rubber Foot	4
72	KGE3000Ti-03700a	61897	Bottom Plate & Insert	1
73	KGE3000Ti-13601	61906	Trigger	1
74	GB/T70.1-2000		Hex Cap Screw M6x60	4
75	KD30-02205	62295	Stator Location Pin I	2
76	KD30-02206	62296	Stator Location Pin II	4
77	KD (M) 30 (A)-02000	67206	Alternator Assembly	1
78	GB/T845-1985		Screw ST 3.8x17 Blacken	4
79	KGE1000Ti-13301	62143	Electrical Protection Shell	1
80	KD (M) 30 (A)-02000	67206	Alternator Assembly	1
81	KGE3000Ti-07400	61902	Fuel Tank	1
82	IG2600PS120FA-13100	10268	Control Panel Assembly	1
83	KT5A62	62145	Parallel Output Socket	2
84	IG2600PS120JA-13404	62146	Receptacle Output Board	1
85	GB/T818-2000		Screw M4x10	10
86	KT5ABD70	62077	Power Cord L=1.7m	1
87	IG2000P-13402	61884	Receptacle Cover	1
88	BSB1-50 2P 50A	62298	Circuit Protector	1
89	IG2600P-13401	62299	Rear Cover	1
90	IG2600P-13403	62300	Plastic Protection Ring	1
91	IG2600PS120JA-13400	61519	Parallel Output Assembly	1
92	PE74	62120	Overload Restart Switch	1
93	KGE3000THi-07310b	61864	Handle Assembly	1

94	KGE3000THi-07302	62303	Hollow Pipe Bolt	2
95	KGE3000THi-03720a	61865	Pull Pipe Assembly	2
96	KGE3000THi-03740a	61872	Supporting Pipe Weldment	2
97	GB/T5782-2000		Bolt M5x35	2
98	GB/T41-2000		Nut M5	2
99	GB/T93-1987		Elastic Washer 5	2
100	GB/T97.1-1985		Flat Washer 5	2
101	GB/T5782-2000		Bolt M5x20	2
102	KGE3000THi-03730a	61867	Wheel Axle Assembly	1
103	KGE3000THi-03731a	61868	Wheel Axle Supporter	1
104	KGE3000THi-03732	61869	Spring	2
105	GB/T91-2000		Pin 2x16	2
106	KGE3000THi-03750b	61873	Wheel	2
107	GB/T95-2002		Flat Washer 8	2
108	KGE3000THi-03733b	61870	Wheel Cover	2
109	L5-20 (120V/20A)	62082	20A Receptacle	1
110	L5-30 (120V/30A)	62083	30 A Receptacle	1
91-1	IG2600PS120JA-13400	61519	Parallel Output Assembly	1

KG166 (EPA)



Easy Wearing Parts

Ref	P/N	Description	Qty
A	KG171-04001	1st Compression Ring	1
B	KG171-04002	2nd Compression Ring	1
C	KG171-04100	Oil Ring	1
D	KG160-01017	Oil Seal	1
E	KG160-01012	Intake Valve Guiding Pipe Oil Seal	1
F	KG171GTi-07103	Fine Filter Element	1
G	KG171GTi-07104	Rough Filter Element	1
H	KG240-12008	Claw	2
I	KG105AGTi-06014	O-Seal Ring	1
J	QC/T430-1999	Spark PlugF6RTC	1

Bearing

Ref	P/N	Description	Qty
K	GB/T276-1994	Rolling Bearing 6205	2

Oil Seal

Ref	P/N	Description	Qty
D	KG160-01017	Oil Seal	1
E	KG160-01012	Intake Valve Guiding Pipe Oil Seal	1

Gasket

Ref	P/N	Description	Qty
a	KG240-01016	Oil Level Guage Gasket	1
b	KG171-01011	Intake Pipe Gasket	1
c	KG171-01013	Carburetor Insulation Block Gasket	1
d	KG171-07003	Air Filter Gasket	1
e	KG171GTi-08002	Muffler Gasket	1
f	KG171AGTi-01021	Respirator Separator Plate Gasket	1

Tightening Torque Table For Major

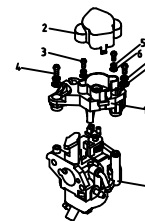
Bolt and Nut (Unit: N.m)

Ref	Description	Torque
①	Connecting Rod Bolt	14-16
②	Flywheel Nut	70-80
③	Crankcase Cover Bolt	10-12
④	Standard M6 Bolt (Nut)	8-10

Ref. No.	Part Number	ID Number	Description	Qty	
A	KG171-04001	75970	1st Compression ring	1	KG166 E
B	KG171-04002	75972	2nd Compression Ring	1	KG166 E
C	KG171-04100	14767	Oil Ring	1	KG166 E
	KG171-04100T	14768	Piston Ring Set (IG2600)	1	KG166 E
D	KG160-01017	75426	Oil Seal	1	KG166 E
E	KG160-02012	75440	Intake Valve Guide Oil Seal	1	KG166 E
F	KG171GTi-07103	75980	Fine Filter Element	1	KG166 E
G	KG171GTi-07104	75982	Rough Filter Element	1	KG166 E
H	KG240-12008	66372	Claw	2	KG166 E
I	KG105AGTi-06014	75766	O-Seal	1	KG166 E
J	QC/T430-1999	76060	Spark Plug WR7DC	1	KG166 E
K	GB/T276-1994	75234	Bearing 6205	2	KG166 E
a	KG240-01016	75704	Oil Level Gauge Gasket	1	KG166 E
b	KG171-01011	10404	Intake Pipe Gasket	1	KG166 E
c	KG171-01013	10106	Carburetor Insulation Block Gasket	1	KG166 E
d	KG171-07003	10408	Air Filter Gasket	1	KG166 E
e	KG171GTi-08002	75984	Muffler Gasket	1	KG166 E
f	KG171AGTi-01021	75978	Cylinder Head Cover Gasket	1	KG166 E

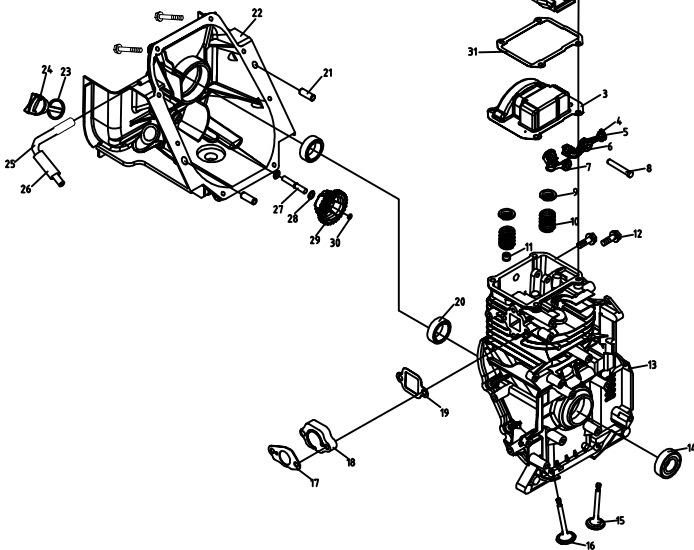
Engine Block (KG171AGTi-01000)

Ref P/N	Description	Qty
1	GB/T5789-1986 Bolt M6x25	12
2	KG171AGTi-01018 Cylinder Head Cover	1
3	KG171AGTi-01200 Respirator	1
4	KG105-01006 Adjusting Screw, Valve Clearance	2
5	KG105-01005 Adjusting Nut, Valve Clearance	2
6	KG171AGTi-01301 Exhaust Valve Rocker Arm	1
7	KG171AGTi-01401 Intake Valve Rocker Arm	1
8	KG105AGTi-01007 Rocker Shaft	1
9	KG160-02001 Intake Valve Spring Seat	2
10	KG160-02006 Valve Spring	2
11	KG160-02012 Intake Valve Guiding Pipe Oil Seal	1
12	GB/T5789-1986 Bolt M6x20	2
13	KG171AGTi-01100 Cylinder Mechanism	1
14	KG160-01017 Oil Seal	1
15	KG171-01003 Exhaust Valve	1
16	KG160-02004 Intake Valve	1
17	KG171-01013 Carburetor Insulation Block Gasket	1
18	KG171AGTi-01012 Carburetor Insulation Block	1
19	KG171-01011 Intake Gasket	1
20	GB/T276-1994 Rolling Bearing 6205	2
21	KG105-01003 Crankcase Cover Location Pin	2
22	KG171AGTi-01001 Crankcase Cover	1
23	KG240-01016 Oil Level Gauge Gasket	1
24	KG171-01017 Oil Level Gauge	1
25	KG171AGTi-01019a Negative Pressure Pipe	1
26	KG105-01035 Pipe Sleeve	1
27	KG105-01039a Oil-Leakage Gear Shaft	1
28	KG160-11015 Speed Limit Gear Gasket	2
29	KG105AGTi-01038 Oil-Leakage Gear	1
30	KG160-11009 Retaining Ring	1
31	KG171AGTi-01021 Respirator Separator Plate Gasket	1
32	KG171AGTi-01022 Coupling	1



Carburetor Assembly (KG171GTi-10000)

Ref P/N	Description	Qty
1	KG55-10001 Motor Bracket	1
2	KG55-10002 Motor Bracket Cover	1
3	GB/T818-2000 Screw M3X5	2
4	GB/T818-2000 Screw M4X10	2
5	GB/T93-1987 Spring Back Up Ring 3	2
6	GB/T848-2002 Back Up Ring 3	2
7	P20-b-000 Carburetor	1
8	GB/T93-1987 Spring Back Up Ring 4.2	4.2
9	GB/T848-2002 Back Up Ring 4	2

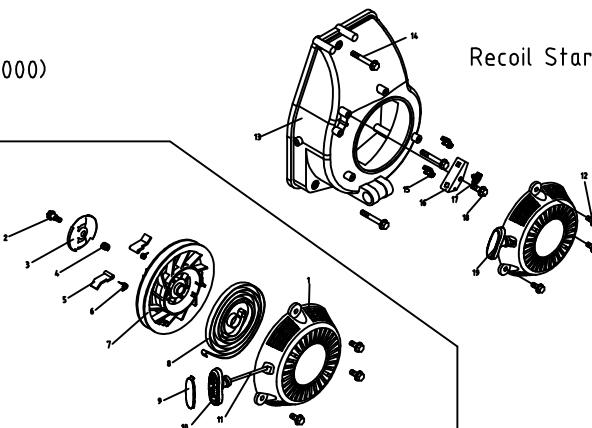


Piston & Connecting Rod Assembly (KG171-04.000)

Ref P/N	Description	Qty
1	KG171-04003 Oil Ring	1
2	KG171-04002 2nd Compression Ring	1
3	KG171-04001 1st Compression Ring	1
4	KG171-04004 Piston	1
5	KG135L-04004 Piston Pin	1
6	KG135L-04005 Retaining Ring	2
7	KG171-04101 Connecting Rod Block	1
8	KG171-04102 Connecting Rod Cover	1
9	KG160-04203 Connecting Rod Bolt	2

Recoil Starter & Wind Scooper Assembly (KG171GTi-12000)

Ref P/N	Description	Qty
1	KG171-12110 Starter Shell	1
2	KG240-12006 Fastening bolt	1
3	KG240-12005 Claw Guiding Plate	1
4	KG240-12004 Friction Spring	1
5	KG240-12008 Claw	2
6	KG240-12007 Claw Spring	2
7	KG160-12002a Starter Winding Shaft	1
8	KG160-12003 Recoil Starter Spring	1
9	KG105-12202 Starter Handle Cover	1
10	KG105-12201 Starter Handle	1
11	KG160-12009 Starting String	1
12	GB/T5789-1986 Bolt M6x14	3
13	KG171GTi-12001 Wind Scooper	1
14	GB/T5789-1986 Bolt M6x50	3
15	KG105-12003 Oil Pipe Clamp	2
16	KG105-12005 Oil Pipe Clamp Fixing Plate	1
17	KG105-12004 Clamp	1
18	GB/T5789-1986 Bolt M6x10	1
19	KG171-12100 Recoil Starter	1



Ignition System (KG171AGTi-14000)

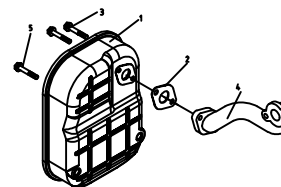
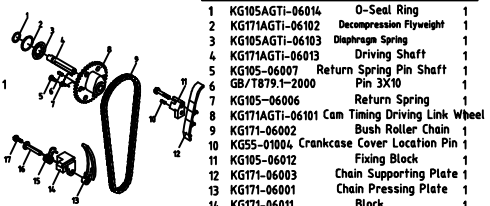
Ref P/N	Description	Qty
1	WR7DC Spark Plug	1
2	KG105-14100 Ignition Coil	1
3	KG171AGTi-14200 Oil Alert	1
4	KG105AGTi-14101 Seal Sleeve	1
5	KG171AGTi-14002 Ignition Trigger Installment Plate	1
6	GB/T818-2000 Screw M4X10	2
7	KG171AGTi-14003 Motor Wire Pressing Plate	1
8	GB/T848-2002 Back Up Ring 4	2
9	GB/T93-1987 Spring Washer 4	2
10	GB/T5789-1986 Hexagon Head Bolt M6x12	2
11	GB/T5789-1986 Hexagon Head Bolt M6x20	3
12	GB/T5789-1986 Hexagon Head Bolt M6x10	1

Valve & Pressure Reducing Mechanism (KG171AGTi-06000)

Ref P/N	Description	Qty
1	KG105AGTi-06014 O-Seal Ring	1
2	KG171AGTi-06102 Decompression Flyweight	1
3	KG105AGTi-06103 Diaphragm Spring	1
4	KG171AGTi-06013 Driving Shaft	1
5	KG105-06007 Return Spring Pin Shaft	1
6	GB/T8719.1-2000 Pin 3X10	1
7	KG105-06006 Return Spring	1
8	KG171AGTi-06101 Cam Timing Driving Link Wheel	1
9	KG171-06002 Bush Roller Chain	1
10	KG55-01004 Crankcase Cover Location Pin	1
11	KG105-06012 Fixing Block	1
12	KG171-06003 Chain Supporting Plate	1
13	KG171-06001 Chain Pressing Plate	1
14	KG171-06011 Block	1
15	KG105-06008a Tension Spring	1
16	KG105-06009 Tension Spring Pin Shaft	1
17	GB/T70.1-2000 Screw M6X25	2

Exhaust System (KG171GTi-b-08000)

Ref P/N	Description	Qty
1	KG171GTi-b-08100a Muffler Weldment	1
2	KG171GTi-08002 Muffler Gasket	1
3	GB/T5789-1986 Bolt M7X75	2
4	KG171GTi-08004 Exhaust Pipe	1
5	GB/T5789-1986 Bolt M8X80	2

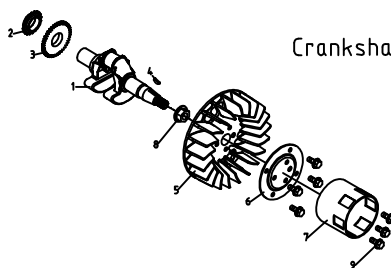
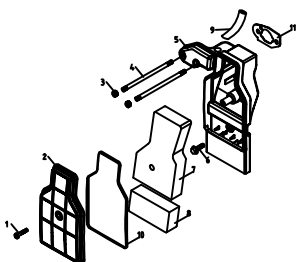


Air-Intake System (KG171AGTi-07000)

Ref P/N	Description	Qty
1	KG171AGTi-07102 Fastening Screw	1
2	KG171AGTi-07101 Air Filter Cover	1
3	GB/T6171.1-2000 Nut M6	2
4	KG171AGTi-07002a Air Inlet Fastening bolt	2
5	KG171AGTi-07100 Air Filter Shell	1
6	GB/T5789-1986 Bolt M6X12	1
7	KG171AGTi-07103 Fine Filter Element	1
8	KG171AGTi-07104 Rough Filter Element	1
9	KG171AGTi-07001 Vent Pipe	1
10	KG171AGTi-07105 Seal Gasket	1
11	KG171-07003 Air Filter Gasket	1

Crankshaft Assembly (KG171GTi -05000)

Ref P/N	Description	Qty
1	KG171AGTi-05001 Crankshaft	1
2	KG171-05002 Crankshaft Timing Link Wheel	1
3	KG171-05003 Driving Gear	1
4	KG160-05007 Key	1
5	KG171AGTi-05005 Fan Wheel	1
6	KG171AGTi-05006 Claw Disk Bracket	1
7	KG160-05005a Claw Disk	1
8	KG160-05004 Flywheel Nut	1
9	GB/T5789-1986 Bolt M6x12	7



Ref No	Part Number	ID Number	Description	Qty	
	Engine Block Assembly		KG171AGTi-01000		
0	KG171AGTi-01000	75988	Engine Block Assembly	1	KG166 E
1	GB/T5789-1986		Bolt M6 X 25	12	KG166 E
2	KG171AGTi-01018	75992	Cylinder Head Cover	1	KG166 E
3	KG171AGTi-01200	75994	Respirator	1	KG166 E
4	KG105-01006	75820	Valve Clearance Adjusting Screw	2	KG166 E
5	KG105-01005	75806	Valve Clearance Adjusting Nut	2	KG166 E
6	KG171AGTi-01301	75996	Exhaust Valve Rocker Arm	1	KG166 E
7	KG171AGTi-01401	75698	Intake Valve Rocker Arm	1	KG166 E
8	KG105AGTi-01007	75854	Rocker Shaft	1	KG166 E
9	KG160-02001	76000	Intake Valve Spring Seat	2	KG166 E
10	KG160-02006	75432	Valve Spring	2	KG166 E
11	KG160-02012	75440	Intake Valve Oil Seal	1	KG166 E
12	GB/T5789-1986		Bolt M6 X 20	2	KG166 E
13	KG171AGTi-01100	76002	Engine Block	1	KG166 E
14	KG160-01017	75426	Oil Seal	1	KG166 E
15	KG171-01003	75433	Exhaust Valve	1	KG166 E
16	KG160-02004	76004	Intake Valve	1	KG166 E
17	KG171-01013	10106	Carburetor Insulation Block Gasket	1	KG166 E
18	KG171GTi-01012	11868	Carburetor Insulation Block	1	KG166 E
19	KG171-01011	10404	Intake Pipe Gasket	1	KG166 E
20	GB/T276-1994	75234	Bearing 6205	2	KG166 E
21	KG105-01003	76008	Crankcase Cover Location Pin	2	KG166 E
22	KG171AGTi-01001	76010	Crankcase Cover	1	KG166 E
23	KG240-01016	75704	Oil Level Gauge Gasket	1	KG166 E
24	KG171-01017	75572	Oil Level Gauge	1	KG166 E
25	KG171GTi-01019a	76014	Negative Pressure Pipe	1	KG166 E
26	KG105-01035	75958	Pipe Sleeve	1	KG166 E
27	KG105-01039a	75942	Oil Leakage Gear Shaft	1	KG166 E
28	KG160-11013	75526	Speed Regulation Gear Gasket	1	KG166 E
29	KG105AGTi-01038	75938	Oil Leakage Gear	1	KG166 E
30	KG160-11009	75520	Retainer	1	KG166 E
31	KG171AGTi-01021	75978	Cylinder Head Cover Gasket	1	KG166 E
32	KG171AGTi-01022	76016	Coupling	1	KG166 E
	KG171GTi-10000		Carburetor Assembly		KG166 E
Ref No	Part Number	ID Number	Description	Qty	KG166 E
0	KG171GTi-10000	76334	Carburetor Assembly	1	KG166 E
1	KG55-10001	76018	Motor Bracket	1	KG166 E
2	KG55-10002	76020	Motor Bracket Cover	1	KG166 E
3	GB/T818-2000		Screw M3 X 5	2	KG166 E
4	GB/T818-2000		Screw M4 X 10	2	KG166 E
5	GB/T93-1987		Spring Back Up Ring 3	2	KG166 E
6	GB/T848-2002		Back Up Ring 3	2	KG166 E
7	P20-b-000	76027	Carburetor (EPA)	1	KG166 E

8	GB/T93-1987		Elastic Back Up Ring 4	2	KG166 E
9	GB/T848-2002		Back Up Ring 4	2	KG166 E
	Piston & Connecting Rod Assy		KG171-04000		KG166 E
Ref No	Part Number	ID Number	Description	Qty	KG166 E
0	KG171-04000	75586	Piston & Connecting Rod Assy	1	KG166 E
1	KG171-04003	76030	Oil Ring	1	KG166 E
2	KG171-04002	75972	2nd Compression Ring	1	KG166 E
3	KG171-04001	75970	1st Compression Ring	1	KG166 E
4	KG171-04004	76032	Piston	1	KG166 E
5	KG135L-04004	75812	Piston Pin	1	KG166 E
6	KG135L-04005	75824	Retaining Ring	2	KG166 E
7	KG171-04101	76034	Connecting Rod	1	KG166 E
8	KG171-04102	76036	Connecting Rod Cover	1	KG166 E
9	KG160-04203		Connecting Rod Bolt	2	KG166 E
	Recoil Started & Wind Scooper Assy		KG171GTi-12000		KG166 E
Ref No	Part Number	ID Number	Description	Qty	KG166 E
0	KG171GTi-12000	76040	Recoil Started & Wind Scooper Assy	1	KG166 E
1	KG171-12110	76042	Starter Shell	1	KG166 E
2	KG240-12006	62348	Tightening Bolt	1	KG166 E
3	KG240-12005	62347	Pawl Guiding Plate	1	KG166 E
4	KG240-12004	62346	Friction spring	1	KG166 E
5	KG240-12008	66372	Claw	2	KG166 E
6	KG240-12007	62349	Claw Spring	2	KG166 E
7	KG160-12002a	76044	Starter Winding Shaft	1	KG166 E
8	KG160-12003	62341	Recoil Starter Spring	1	KG166 E
9	KG105-12202	76046	Starter Handle Cover	1	KG166 E
10	KG105-12201	75870	Starter Handle	1	KG166 E
11	KG160-12009	62342	Starting Rope	1	KG166 E
12	GB/T5789-1986		Bolt M6 X 14	6	KG166 E
13	KG171GTi-12001	76048	Wind Scooper	1	KG166 E
14	GB/T5789-1986		Bolt M6 x 50	3	KG166 E
15	KG105-12003	76050	Oil Pipe Clamp	1	KG166 E
16	KG105-12005	76052	Oil Pipe Clamp Fixing Plate	1	KG166 E
17	KG105-12004	76054	Clamp	1	KG166 E
18	GB/T5789-1986		Bolt M6 X 10	1	KG166 E
19	KG171-12100	75614	Recoil Starter	1	KG166 E
	Ignition System		KG171AGTi-14000		KG166 E
Ref No	Part Number	ID Number	Description	Qty	KG166 E
0	KG171AGTi-14000	76058	Ignition System	1	KG166 E
1	WR7DC	76060	Spark Plug	1	KG166 E
2	KG105-14100	75762	Ignition Coil	1	KG166 E

3	KG171GTi-14200	76062	Oil Alert	1	KG166 E
4	KG105AGTi-14101	75780	Seal Sleeve	1	KG166 E
5	KG171GTi-14002	76066	Ignition Trigger Plate	1	KG166 E
6	GB/T818-2000		Screw M4 X 10	2	KG166 E
7	KG171GTi-14003	76068	Motor Wire Plate	1	KG166 E
8	GB/T848-2002		Back Up Ring 4	2	KG166 E
9	GB/T93-1987		Spring Washer 4	2	KG166 E
10	GB/T5789-1986		Bolt M6 X 12	2	KG166 E
11	GB/T5789-1986		Bolt M6 X 20	3	KG166 E
12	GB/T5789-1986		Bolt M6 X 10	1	KG166 E
	Valve & Pressure Reducing Mechanism		KG171AGTi-06000		KG166 E
Ref No	Part Number	ID Number	Description	Qty	KG166 E
0	KG171AGTi-06000	76072	Valve & Pressure Reducing Mechanism	1	KG166 E
1	KG105AGTi-06014	75766	O-Ring 6 x 2	1	KG166 E
2	KG105AGTi-06102	75800	Decompression Flyweight	1	KG166 E
3	KG105AGTi-06103	75778	Diaphragm Spring	1	KG166 E
4	KG171AGTi-06013	75788	Driving Shaft	1	KG166 E
5	KG105-06007	75898	Return Spring Pin	1	KG166 E
6	GB/T879.1-2000	76074	Pin 3 x 10	1	KG166 E
7	KG105-06006	75892	Return Spring	1	KG166 E
8	KG171AGTi-06101	76076	Cam Driving Gear	1	KG166 E
9	KG171-06002	76078	Roller Chain	1	KG166 E
10	KG55-01004	76080	Crankcase Cover Location Pin	1	KG166 E
11	KG105-06012	75832	Fixing Block	1	KG166 E
12	KG171-06003	76082	Chain Supporting Plate	1	KG166 E
13	KG171-06001	76084	Chain Pressure Plate	1	KG166 E
14	KG171-06011	76332	Block	1	KG166 E
15	KG105-06008a	75878	Tension Spring	1	KG166 E
16	KG105-06009	75885	Tension Spring Pin Shaft	1	KG166 E
17	GB/T70.1-2000		Screw M6 X 25	2	KG166 E
	Exhaust System		KG171GTi-b-08000		KG166 E
Ref No	Part Number	ID Number	Description	Qty	KG166 E
0	KG171GTi-b-08000	76086	Exhaust System	1	KG166 E
1	KG171GTi-b-08100a	76063	Muffler	1	KG166 E
2	KG171GTi-08002	75984	Muffler Gasket	1	KG166 E
3	GB/T5789-1986		Bolt M7 X 75	2	KG166 E
4	KG171GTi-08001a	76092	Exhaust Pipe	1	KG166 E
5	GB/T5789-1986		Bolt M8 X 80	2	KG166 E
	Air-Intake System		KG171AGTi-07000		KG166 E
Ref No	Part Number	ID Number	Description	Qty	KG166 E
0	KG171AGTi-07000	76096	Air-Intake System	1	KG166 E

1	KG171GTi-07102	76098	Fastening Screw	1	KG166 E
2	KG171GTi-07101	76100	Air Filter Cover	1	KG166 E
3	GB/T6177.1-2000		Nut M6	2	KG166 E
4	KG171GTi-07002a	76102	Air Inlet Fastening Bolt	2	KG166 E
5	KG171GTi-07110	76104	Air filter Shell	1	KG166 E
6	GB/T5789-1986		Bolt M6 x 12	1	KG166 E
7	KG171GTi-07103	75980	Fine Filter Element	1	KG166 E
8	KG171GTi-07104	75982	Rough Filter Element	1	KG166 E
9	KG171AGTi-07001	76106	Vent Pipe	1	KG166 E
10	KG171GTi-07105	76108	Seal	1	KG166 E
11	KG171-07003	10408	Air Filter Gsket	1	KG166 E
	Crankshaft Assembly		KG171GTi-05000		KG166 E
Ref No	Part Number	ID Number	Description	Qty	KG166 E
0	KG171GTi-05000	76112	Crankshaft Assembly	1	KG166 E
1	KG171GTi-05001	76114	Crankshaft	1	KG166 E
2	KG171-05002	76116	Crankshaft Timing Gear	1	KG166 E
3	KG171-05003	76118	Drive Gear	1	KG166 E
4	KG160-05007	75474	Key	1	KG166 E
5	KG171GTi-05005	76120	Fan Wheel	1	KG166 E
6	KG171GTi-05006	76122	Claw disk Bracket	1	KG166 E
7	KG160-05005a	62340	Starting Pull Wheel	1	KG166 E
8	KG160-05004	75470	Flywheel Nut	1	KG166 E
9	GB/T5789-1986		Bolt M6 X 12	7	KG166 E