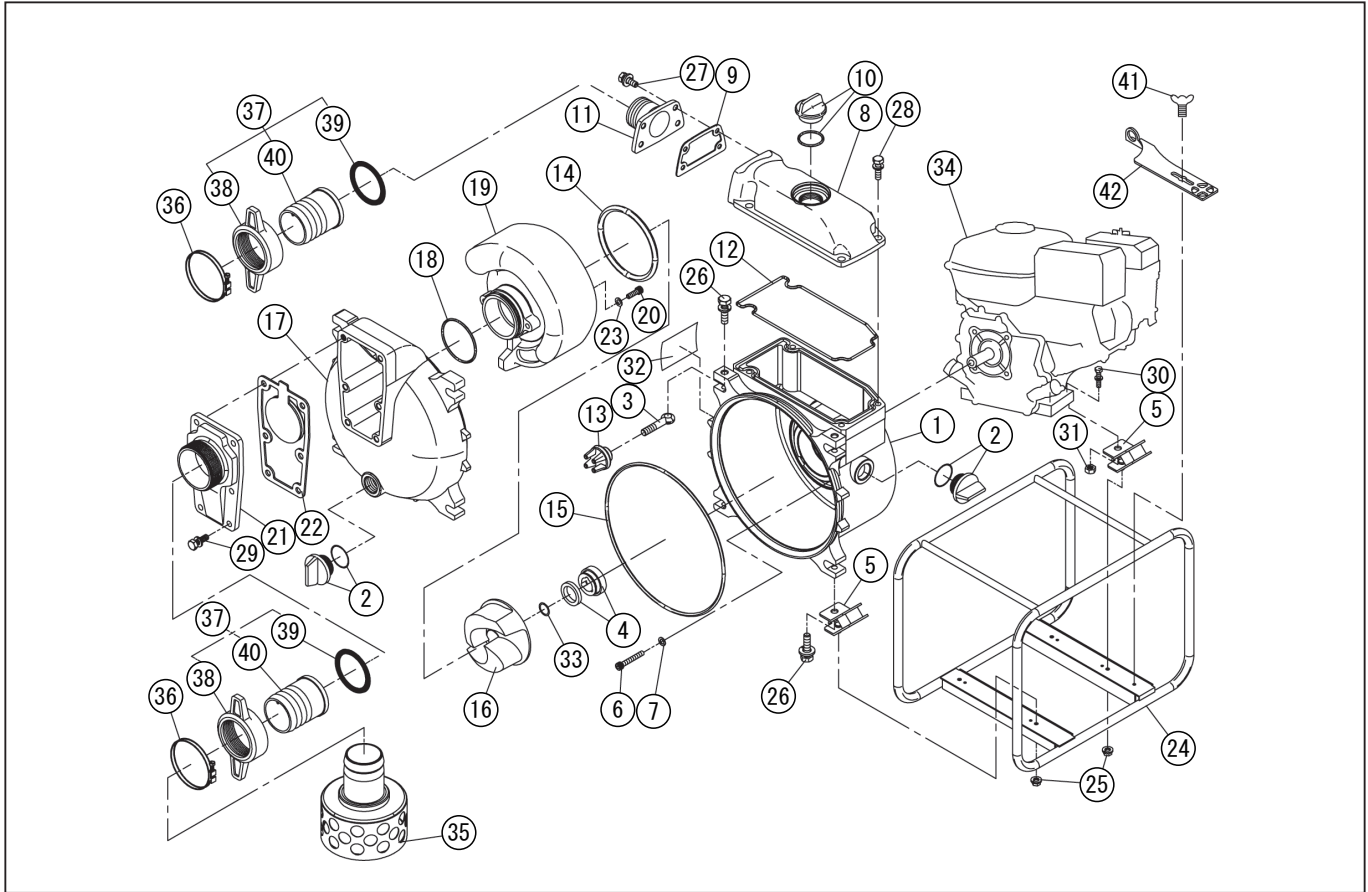


DWG No.012856914 MODELE : KTH-50X FORM : KTH-50X-BAB-4(GX160UT2)

| No. | PARTS CODE | PARTS NAME | QTY | MATERIAL/SIZE | REMARKS |
|-----|------------|-------------------------|-----|------------------------|---------|
| 1 | 0115446 | PUMP BODY | 1 | ADC | |
| 2 | 0118079 | 25A PLUG SET | 2 | | |
| 3 | 0115580 | COVER BOLT | 4 | S35C | |
| 4 | 0115159 | MECHANICAL SEAL | 1 | HJ-20(B)BSIC | |
| 5 | 0116172 | CUSHION RUBBER | 4 | CR 60° | |
| 6 | 0116517 | SOCKET BOLT | 4 | M8×60 SCM | |
| 7 | 0116493 | WASHER | 4 | A1100 PH14 | |
| 8 | 0115445 | DELIVERY HOUSING | 1 | ADC | |
| 9 | 0115490 | DELIVERY FLANGE PACKING | 1 | CR | |
| 10 | 0118450 | 32A PLUG SET | 1 | | |
| 11 | 0115840 | DELIVERY FLANGE(PS) | 1 | ADC | |
| 12 | 0115548 | HEAD PACKING | 1 | NBR70° | |
| 13 | 0115590 | KNOB | 4 | | |
| 14 | 0115578 | CASING PACKING | 1 | NBR | |
| 15 | 0115579 | FRONT COVER PACKING | 1 | NBR | |
| 16 | 0115447 | IMPELLER | 1 | HRFC | |
| 17 | 0121900 | FRONT COVER PACKING | 1 | ADC | |
| 18 | 0115676 | O-RING | 1 | NBR | |
| 19 | 0121897 | VOLUTE CASING | 1 | FCD450 | |
| 20 | 0121539 | HEXAGON SOCKET BOLT | 3 | M8×35 A2-80 | |
| 21 | 0115839 | SUCTION FLANGE | 1 | ADC12 | |
| 22 | 0115780 | CHECK VALVE PACKING | 1 | NBR | |
| 23 | 0121540 | SEAL WASHER | 3 | 8.1X17XT2 MFZN II +H.C | |
| 24 | 0117816 | BASE SET | 1 | | |
| 25 | 842319008 | SPRING NUT | 4 | SWRM | |
| 26 | 743119083 | HEXAGON BOLT | 4 | SWRM M12X45 | |
| 27 | 743119046 | HEXAGON BOLT | 4 | M8X22 SWRM | |
| 28 | 743119063 | HEXAGON BOLT | 4 | M10X30 SWRM | |
| 29 | 743119061 | HEXAGON BOLT | 6 | M10X25 SWRM | |
| 30 | 743119051 | HEXAGON BOLT | 2 | M8X35 SWRM | |



DWG No.012856914 MODELE : KTH-50X FORM : KTH-50X-BAB-4(GX160UT2)

| No. | PARTS CODE | PARTS NAME | QTY | MATERIAL/SIZE | REMARKS |
|-----|------------|---------------------------|-----|--------------------|---------|
| 31 | 838719008 | HXAGON NUT | 2 | M8 | |
| 32 | 0115858 | NAME PLATE | 1 | T0.05 | |
| 33 | 0110491 | IMPELLER ADJUSTING WASHER | 3 | BSP | |
| 34 | 0114303 | ENGINE(WITH ALART) | 1 | HONDA GX160UT2WKT2 | |
| 35 | 0110977 | STRAINER | 1 | SPC | |
| 36 | 940407060 | HOSE BAND | 3 | 2" | |
| 37 | 0117026 | COUPLING SET | 2 | | |
| 38 | 0113390 | COUPLING | 2 | ABS | |
| 39 | 0113391 | COUPLING PACKING | 2 | NBR | |
| 40 | 0110356 | HOSE NIPPLE | 2 | ABS | |
| 41 | 741305153 | WING BOLT | 1 | M8×15 | |
| 42 | 0115778 | TOOL | 1 | SPC | |
| | 0115857 | PACKING CASE | 1 | | |

◆ Bare engine can not be supplied