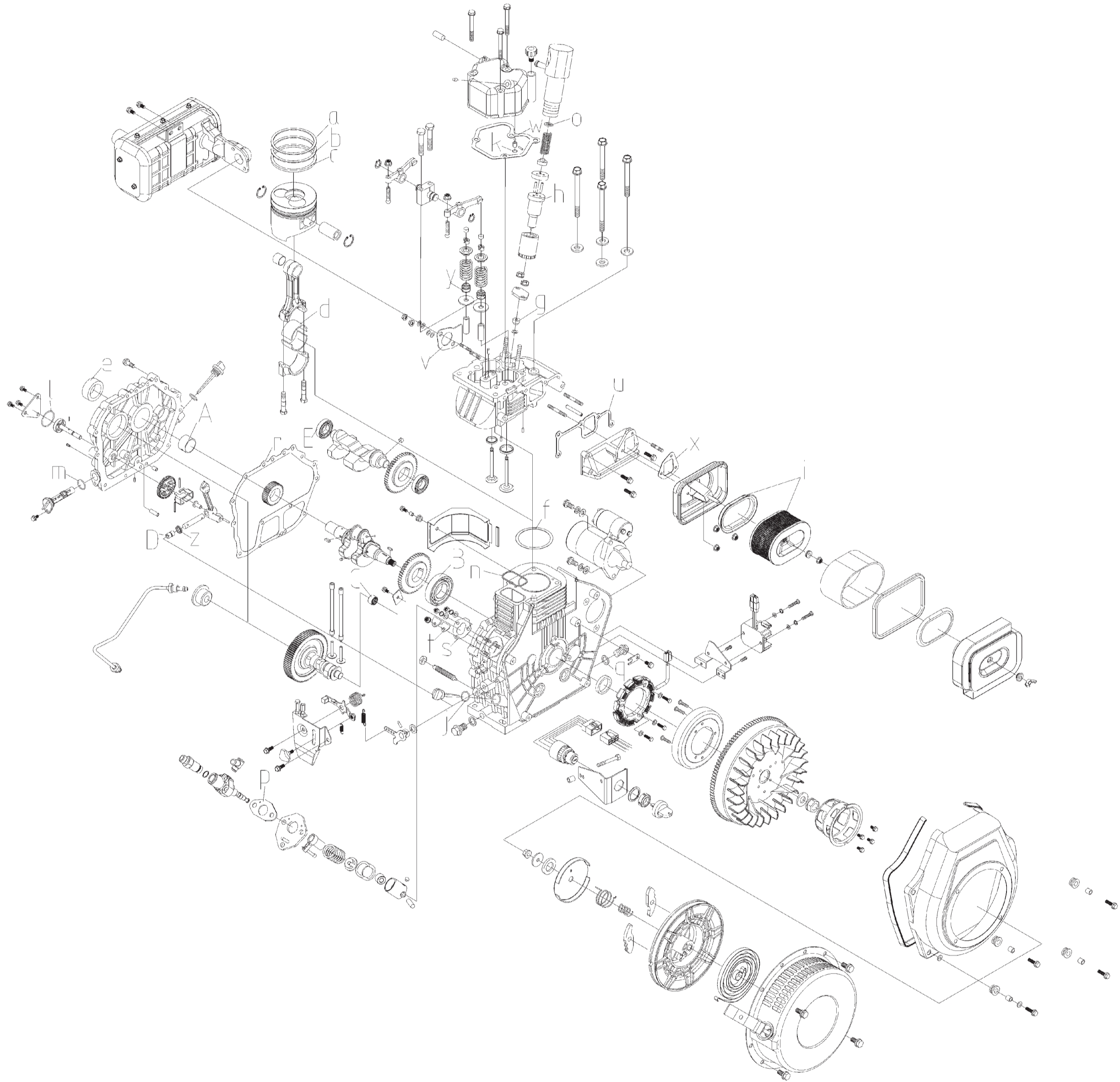


# ASSEMBLY AND PARTS DRAWING

## KIPOR

### KM186FA



#### EASY DESTROYED PARTS

Ref.No	Part.No	Description	Qty.
a	KM186F-04001	First Air Ring	1
b	KM186F-04002	Second Air Ring	1
c	KM186F-04100	Oil Ring Assem	1
d	KM186F-01005	Connection Rod Bushing	2
e	KM186F-01022	Oil Seal35x50x8	2
f	KM186F-01013a	Cylinder Head Gasket	1
g	KM170FA-02011	Heat Insulator	1
h	KM186F-13100(A)	Nozzle	1
i	KM186F-07100	Air Filter Element Assem	1

#### OIL RING

Ref.No	Part.No	Description	Qty.
j	KM186F-01024	Oil Ring22.5x2.4	1
k	KM186F-03009	Oil Ring12x1.9	1
l	KM186F-09006	Oil Ring34x1.8	1
m	KM186F-09005	Oil Ring25x2.4	1
n	KM186F-01008	OIL RING	1

#### Washer

Ref.No	Part.No	Description	Qty.
o	KM170FA-13004(A)	Adjuster Washer	1
p	KM170F-12004	Pump Connecting Plate Adjuster Washer	1
q	KM170F-01023	Oil Drain Plug Washer	2
r	KM186F-01015	Crankcase Cover Washer	1
s	KM186F-01014	Injection Pump Washer	1-2
t	KM186F-01016	Seal Washer	1
u	KM186F-02014	Inlet Pipe Washer	1
v	KM186F-02015	Exhaust Pipe Washer	1
w	KM186FA-03003	Cylinder Cover Washer	1
x	KM186F-07001	Air Cleaner Washer	1

#### 油封

Ref.No	Part.No	Description	Qty.
y	KM186F-02019	Valve Conduct Pipe Oil Seal	2
z	KM186F-11008	Level Shaft Oil Seal	1

#### BEARING

Ref.No	Part.No	Description	Qty.
A	KM186F-01014	Sliding Bearing	1
B	GB/T276-1994	Rolling Bearing 6308/P5	1
C	GB/T290-1998	Roller Bearing HK1516	1
D	GB/T290-1998	Roller Bearing HK0810	2
E	GB/T276-1994	Rolling Bearing 6203/P5	2

#### Main nut, bolt tighten torque unit: n.m

Ref.No	Description	Torque
①	Connection Rod Bolt	38-42
②	Cylinder Cover Bolt	54-58
③	Flywheel Nut	130-150
④	Injection Pressure Plate Nut	10-12
⑤	Rocker Arm Base Tighen Bolt	43-47
⑥	Standard M6 Bolt/Nut	10-12
⑦	Standard M8 Bolt/Nut	18-20

**WUXI KIPOR POWER CO., LTD.**

Beside Jingyi Rd, Third-stage Development Section of Wangzhuang Industry Area, Wuxi High & New Technology Industry Development Zone. TEL: 0086-510-85200888 FAX: 0086-510-85200999

