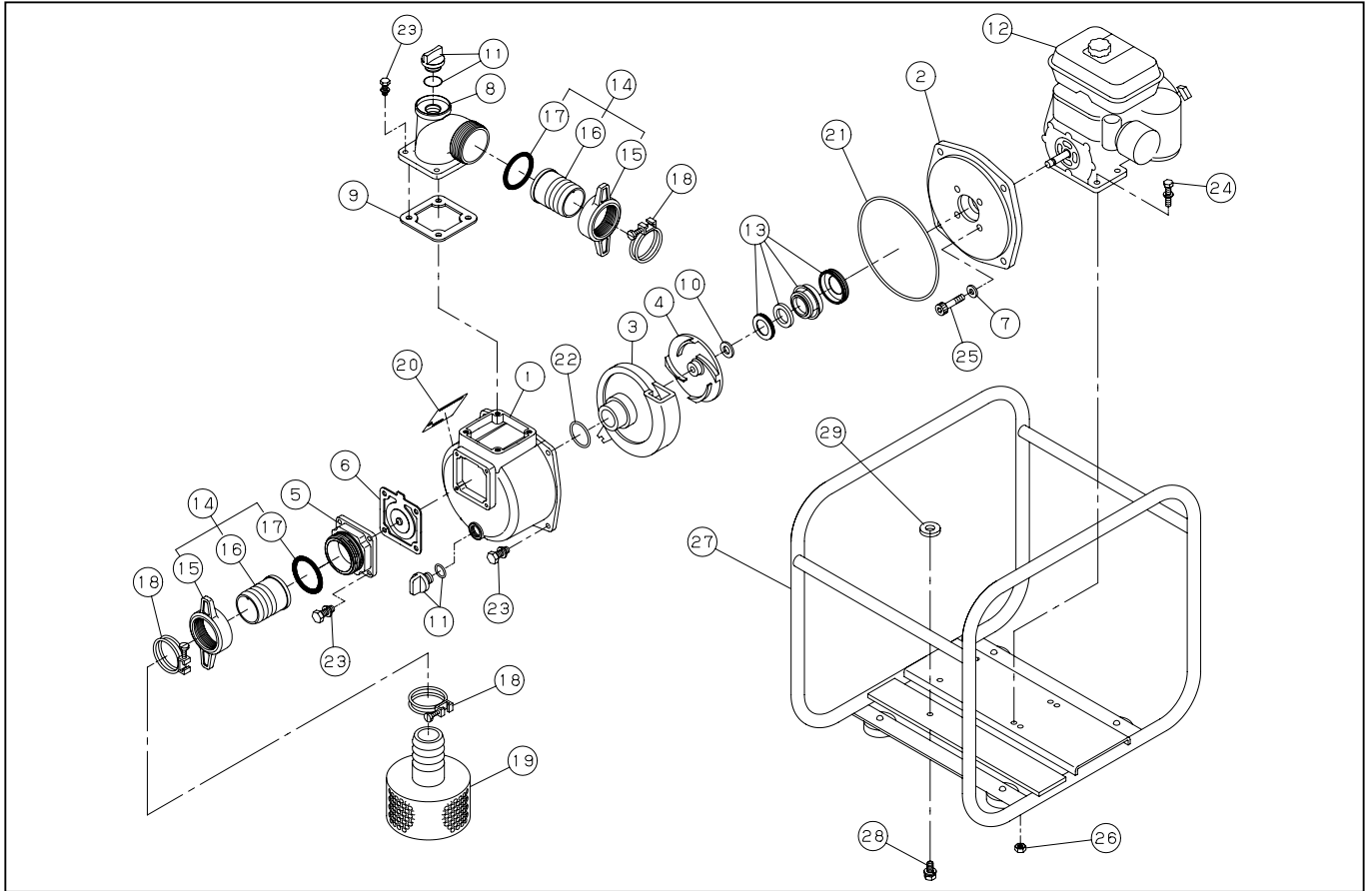


SEM-100X



DWG No.012877602 MODEL:SEM-100X (GM231) FORM:SEM-100X-BAA-0

No.	PARTS CODE	PARTS NAME	QTY	MATERIAL	SIZE	REMARKS
1	011569101	PUMP CASING	1	ADC		
2	011576301	FLANGE BRACKET	1	ADC		
3	011071705	VOLUTE CASING	1	FC		
4	011566401	IMPELLER	1	FC		
5	011618801	SUCTION FLANGE	1	ADC		
6	011736301	CHECK VALVE SET	1			
7	854255008	SEAL WASHER	4		φ 8	
8	011618701	DELIVERY FLANGE	1	ADC		
9	011075002	DELIVERY FLANGE PACKING	1	CR		
10	011008101	IMPELLER ADJUSTING WASHER	3		T0.3	
11	011807901	25A PLUG SET	2			
12	011664701	MITSUBISHI ENGINE	1	GM231		
13	011576401	MECHANICAL SEAL	1		EH791-025	
14	011763901	COUPLING SET	2	AC		
15	011618901	COUPLING	2	AC		
16	011047103	HOSE NIPPLE	2	AC		
17	011147801	COUPLING PACKING	2	NBR		
18	940019120	HOSE BAND	3		φ 120	
19	011121702	STRAINER SET	1	SPC		
20	011664901	NAME PLATE	1			
21	890455080	O-RING	1	NBR	1516-80	
22	889855090	O-RING	1	NBR	P90	
23	743119080	HEXAGON BOLT	12	SWRM	M12X35	
24	743119067	HEXAGON BOLT	4	SWRM	M10X40	
25	734532078	HEXAGON SOCKET BOLT	4	SCM	M8X70	
26	827419010	HEXAGON NUT	4	SWRM	M10	
27	011767902	BASE SET	1			
28	743119043	HEXAGON BOLT	1		M8X16	
29	011592301	RUBBER SHEET	1		26X12X5	
	011665001	PACKING CASE	1			

◆ Bare engine can not be supplied

