



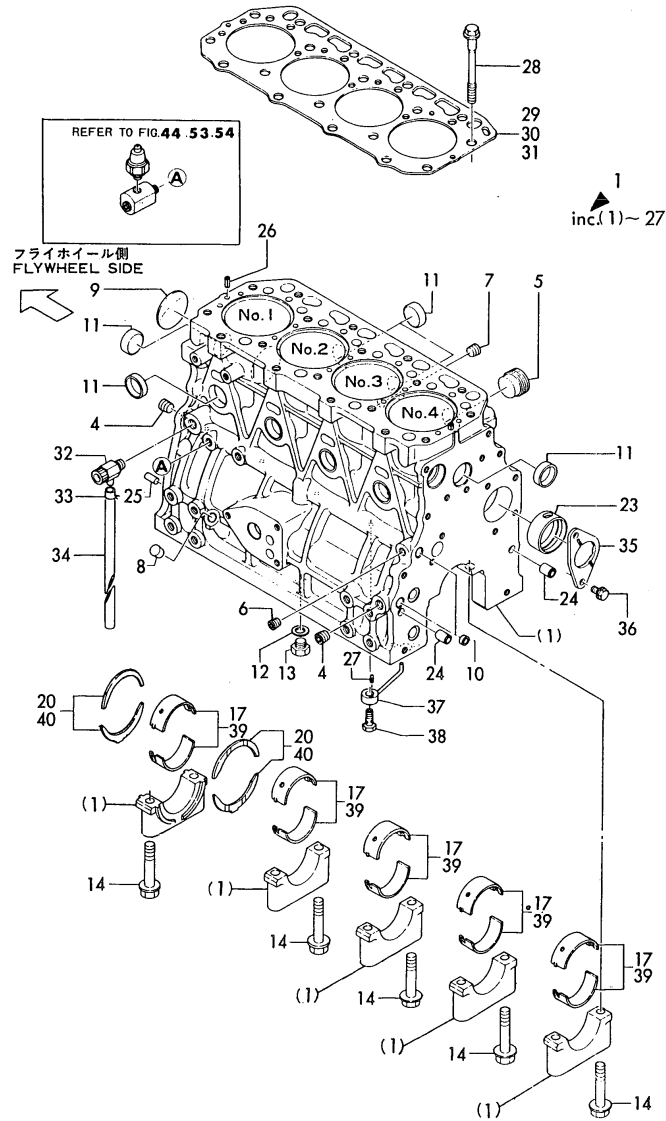
## Spare parts catalog- Yanmar engines

- (A) = 4JH2E
- (B) = 4JH2-TE
- (C) = 4JH2-THE
- (D) = 4JH2-DTE
- (E) = 4JH2-UTE(B)

Fig.1.CYLINDER BLOCK

(A)=4JH2E (D)=4JH2-DTE  
 (B)=4JH2-TE (E)=4JH2-UTE(B)  
 (C)=4JH2-HTE (F)=

Fig. 1 シリンダブロック  
 CYLINDER BLOCK



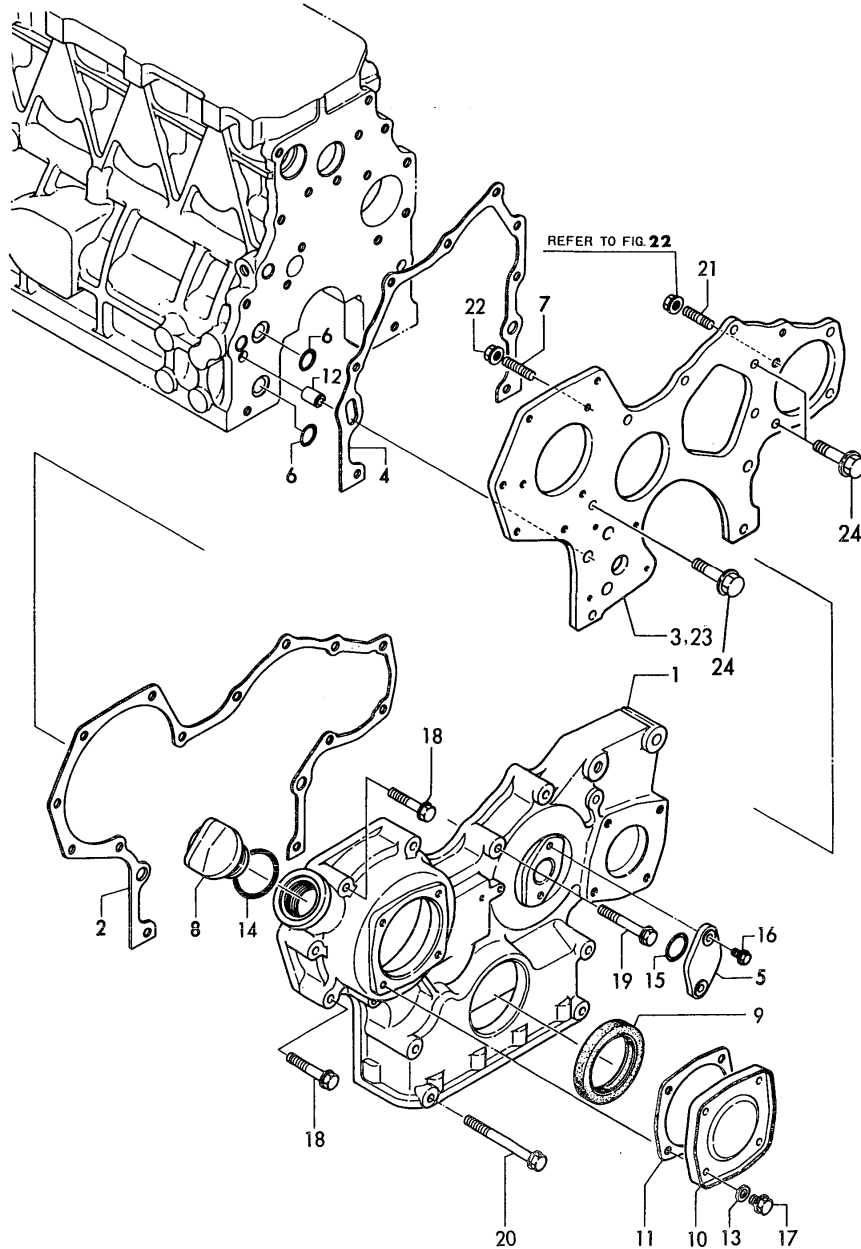
REF.	LEV.	PARTS NO.	DESCRIPTION	QTY						I	R
				(A)	(B)	(C)	(D)	(E)	(F)		
1	1	729573-01560	BLOCK ASSY, CYLINDER	1	1	1	1	1			
4	3	124160-01910	PLUG PT1/4	2	2	2	2	2			
5	3	171051-01921	PLUG	1	1	1	1	1			
6	3	23871-010000	PLUG PT1/8,SCREW	1	1	1	1	1			
7	3	23871-030000	PLUG PT3/8,SCREW	1	1	1	1	1			
8	3	27225-100140	PLUG 10X14	1	1	1	1	1			
9	3	27231-500000	PLUG 50	1	1	1	1	1			
10	3	27241-120000	PLUG 12	2	2	2	2	2			
11	3	27241-300000	PLUG 30	8	8	8	8	8			
12	2	23414-120000	GASKET 12, ROUND	1	1	1	1	1			
13	2	23887-120002	PLUG 12,HEX.	1	1	1	1	1			
14	2	129150-02020	BOLT, METAL CAP	10	10	10	10	10			
17	2	129150-02800	MAIN METAL	5	5	5	5	5			
20	2	129150-02930	METAL, THRUST	2	2	2	2	2			
23	2	129795-02411	BUSH, CAMSHAFT	1	1	1	1	1			
24	2	129795-01950	PIPE, KNOCK L=18	2	2	2	2	2			
25	2	22312-080160	PARALLEL PIN 8X 16	2	2	2	2	2			
26	2	22351-060012	SPRING PIN 6X12	2	2	2	2	2			
27	2	22351-030010	SPRING PIN 3X10	4	4	4	4	4			
28	1	129150-01200	STUD, CYL. HEAD	18	18	18	18	18			
29	1	129573-01341	GASKET, CYL. HEAD	1	1	1	1	1			2
30	1	129573-01351	GASKET, (NON-ASB.)	1	1	1	1	1			1
31	1	129573-01361	GASKET, CYL. HEAD	1	1	1	1	1			2
32	1	128371-01800	COCK ASSY 1/4	1	1	1	1	1			
33	1	124460-77680	RETAINER	1	1	1	1	1			
34	1	23061-070300	PIPE 7X 300	1	1	1	1	1			
35	1	129150-02450	METAL,THRUST	1	1	1	1	1			
36	1	26106-080162	BOLT M 8X 16 PLATED	2	2	2	2	2			
37	1	129553-39650	NOZZLE	4	4	4	4	4			
38	1	23857-030000	JOINT BOLT 3	4	4	4	4	4			
39	1	129150-02870	MAIN METAL US=0.25	5	5	5	5	5			3
40	1	129150-02940	METAL,THRUST.25(2PIE	2	2	2	2	2			4

Remarks  
 1) STANDARD  
 2) ADJUSTMENT  
 3) UNDER-SIZED METAL(0.25)  
 4) OVER-SIZED METAL(0.25)

Fig.2.GEAR HOUSING

(A)=4JH2E (D)=4JH2-DTE  
 (B)=4JH2-TE (E)=4JH2-UTE(B)  
 (C)=4JH2-HTE (F)=

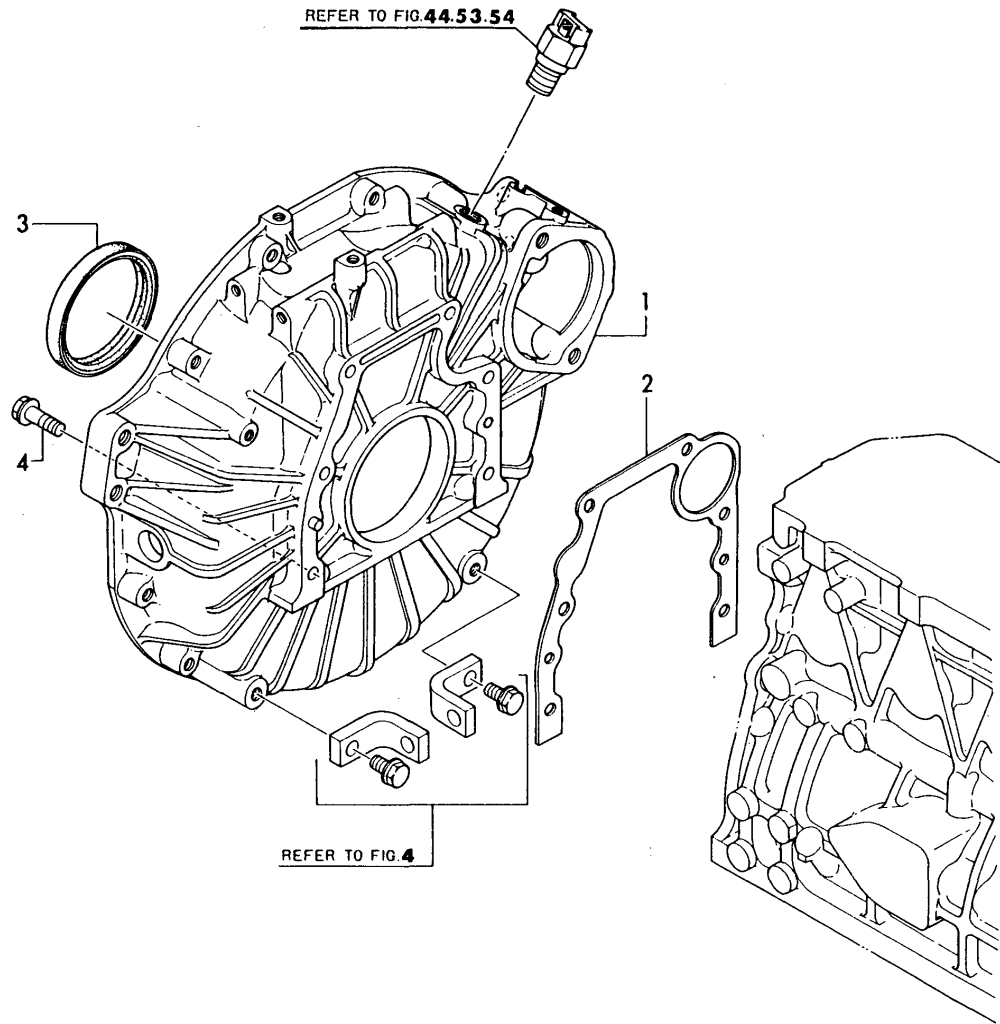
Fig. 2 ギヤケース  
 GEAR HOUSING



REF.	LEV.	PARTS NO.	DESCRIPTION	QTY						I	R
				(A)	(B)	(C)	(D)	(E)	(F)		
1	1	129470-01501	CASE, GEAR	1	1	1	1	1			
2	1	129150-01510	GASKET, GEAR CASE				1				
2-1	1	129470-01510	GASKET	1	1	1	1	1			N
				(D=E31928)							
3	1	129150-01520	FLANGE	1	1	1	1				
4	1	129150-01530	GASKET				1				
4-1	1	129470-01530	GASKET	1	1	1	1	1			N
				(D=E31928)							
5	1	121023-01550	COVER, BLIND	1	1	1	1	1			
6	1	129470-01550	O-RING	2	2	2	2	2			
7	1	121450-01560	STUD M 8X 22	3	3	3	3				
8	1	124160-01751	CAP, LUB.OIL SUPPLY	1	1	1	1	1			
9	1	129795-01800	SEAL, OIL	1	1	1	1	1			
10	1	129150-01870	COVER	1	1	1	1	1			
11	1	129150-01880	GASKET, HO-P				1				
11-1	1	129470-01880	GASKET	1	1	1	1	1			N
				(D=E31928)							
I	11-2	129150-01881	GASKET, (NON ASB.)	1	1	1	1	1			R
				(A=*1991.01) (B=*1991.01) (C=*1991.01) (D=*1991.01) (E=*1991.01)							
12	1	129795-01950	PIPE, KNOCK L=18	2	2	2	2	2			
13	1	23414-080000	GASKET 8, ROUND	4	4	4	4	4			
I	14	24311-000320	O-RING 1A P-32.0								
15	1	24341-000260	O-RING 1A S-26.0	1	1	1	1	1			
16	1	26106-060162	BOLT M 6X 16 PLATED	2	2	2	2	2			
17	1	26106-080122	BOLT M 8X 12 PLATED	4	4	4	4	4			
18	1	26106-080452	BOLT M 8X 45 PLATED	6	6	6	6	6			
19	1	26106-080552	BOLT M 8X 55 PLATED	3	3	3	3	3			
20	1	26106-080852	BOLT M 8X 85 PLATED	4	4	4	4	4			
21	1	26216-080182	STUD M 8X 18 PLATED	1	1	1	1	1			
22	1	26366-080002	NUT M 8	3	3	3	3				
I	23	129574-01520	PLATE,GEAR CASE								1
I	24	26106-080162	BOLT M 8X 16 PLATED	3	3	3	3	3			W
				(A=EXXX) (B=EXXX) (C=EXXX) (D=EXXX) (E=EXXX)							

Fig.3.FLYWHEEL HOUSING

Fig. 3 フライホイールハウジング  
FLYWHEEL HOUSING



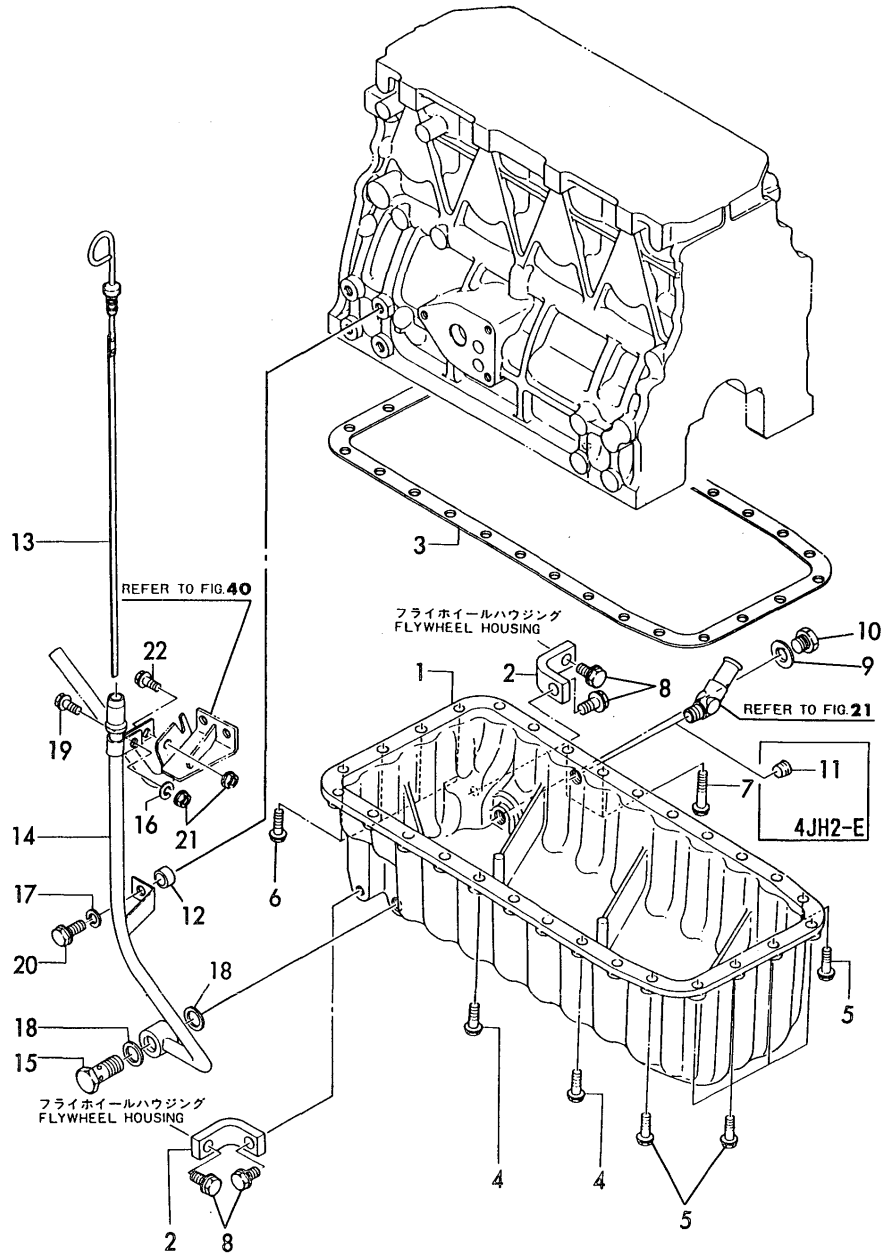
Y00R3512 3.FLYWHEEL HOUSING

(A)=4JH2E (D)=4JH2-DTE  
(B)=4JH2-TE (E)=4JH2-UTE(B)  
(C)=4JH2-HTE (F)=

REF.	LEV.	PARTS NO.	DESCRIPTION	QTY						I	R
				(A)	(B)	(C)	(D)	(E)	(F)		
1	1	129400-01600	HUSING, FLYWHEEL	1	1	1	1	1			
2	1	129100-01620	GASKET				1				
2-1	1	129470-01620	GASKET	1	1	1	1	1			N
			(D=E31928)								
3	1	129795-01780	SEAL, OIL	1	1	1	1	1			
4	1	26106-100302	BOLT M10X 30 PLATED	6	6	6	6	6			

Fig.4.LUB. OIL SUMP

Fig.4 オイルパン  
LUB. OIL SUMP

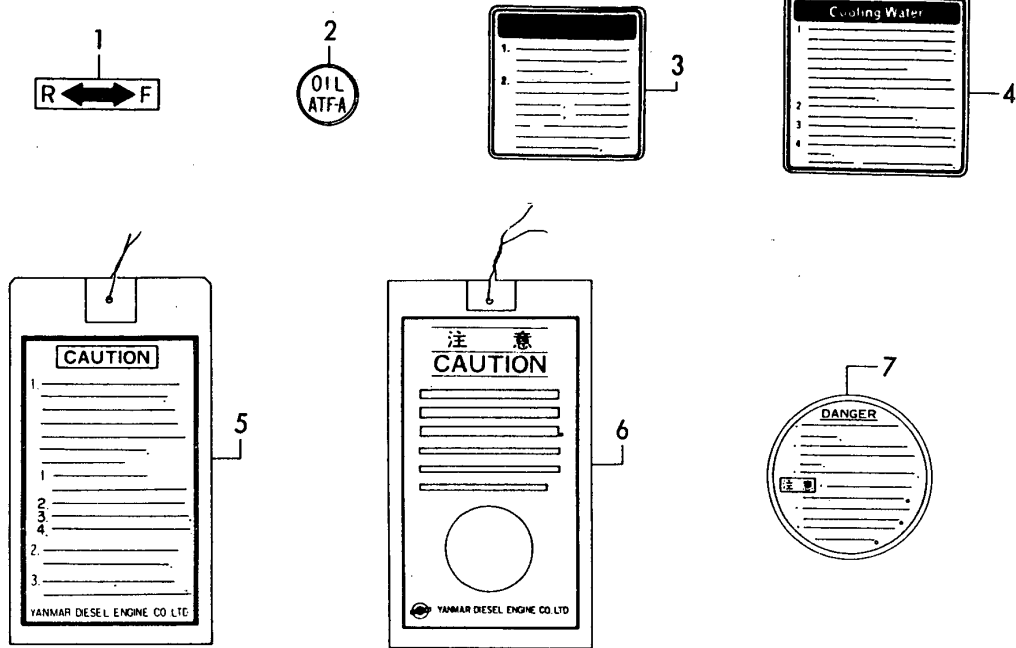


(A)=4JH2E (D)=4JH2-DTE  
(B)=4JH2-TE (E)=4JH2-UTE(B)  
(C)=4JH2-HTE (F)=

REF.	LEV.	PARTS NO.	DESCRIPTION	QTY						I	R
				(A)	(B)	(C)	(D)	(E)	(F)		
1	1	129473-01700	PAN ASSY, OIL	1	1	1	1	1			
2	1	129470-01710	BRACKET	2	2	2	2	2			
3	1	129400-01750	GASKET, OIL SUMP					1			
3-1	1	129470-01750	GASKET	1	1	1	1	1			N
			(D=E31928)								
4	1	26106-080252	BOLT M 8X 25 PLATED	16	16	16	16	16			
5	1	26106-080252	BOLT M 8X 25 PLATED	6	6	6	6	6			
6	1	26106-080252	BOLT M 8X 25 PLATED	4	4	4	4	4			
7	1	26106-080402	BOLT M 8X 40 PLATED	2	2	2	2	2			
8	1	26106-100252	BOLT M10X 25 PLATED	4	4	4	4	4			
9	1	23414-160021	GASKET 16	1	1	1	1	1			W
			(D=E31928)								
10	1	23887-160002	PLUG 16,HEX.	1	1	1	1	1			W
			(D=E31928)								
11	1	23871-030000	PLUG PT3/8,SCREW	1							
12	1	129301-34830	SPACER	1	1	1	1	1			
13	1	129473-34850	LEVEL GAUGE	1	1	1	1	1			
14	1	129473-34861	GUIDE, DIPSTICK	1	1	1	1	1			
I 14-1	1	129473-34880	GUIDE, DIPSTICK	1	1	1	1	1			R
		(A=*1990.11)	(B=*1990.11)	(C=*1990.11)	(D=*1990.11)	(E=*1990.11)					
15	1	104214-39720	BOLT, PIPE JOINT	1	1	1	1	1			
16	1	22217-080000	SPRING WASHER 8	1	1	1	1	1			
17	1	22217-100000	SPRING WASHER 10	1	1	1	1	1			
18	1	23414-160000	GASKET 16, ROUND	2	2	2	2	2			
19	1	26106-080162	BOLT M 8X 16 PLATED	1	1	1	1	1			
20	1	26106-100252	BOLT M10X 25 PLATED	1	1	1	1	1			
21	1	26366-080002	NUT M 8	2	2	2	2	2			
22	1	26106-080122	BOLT M 8X 12 PLATED	1	1	1	1	1			

Fig.5 LABEL

Fig. 5 メイバン LABEL



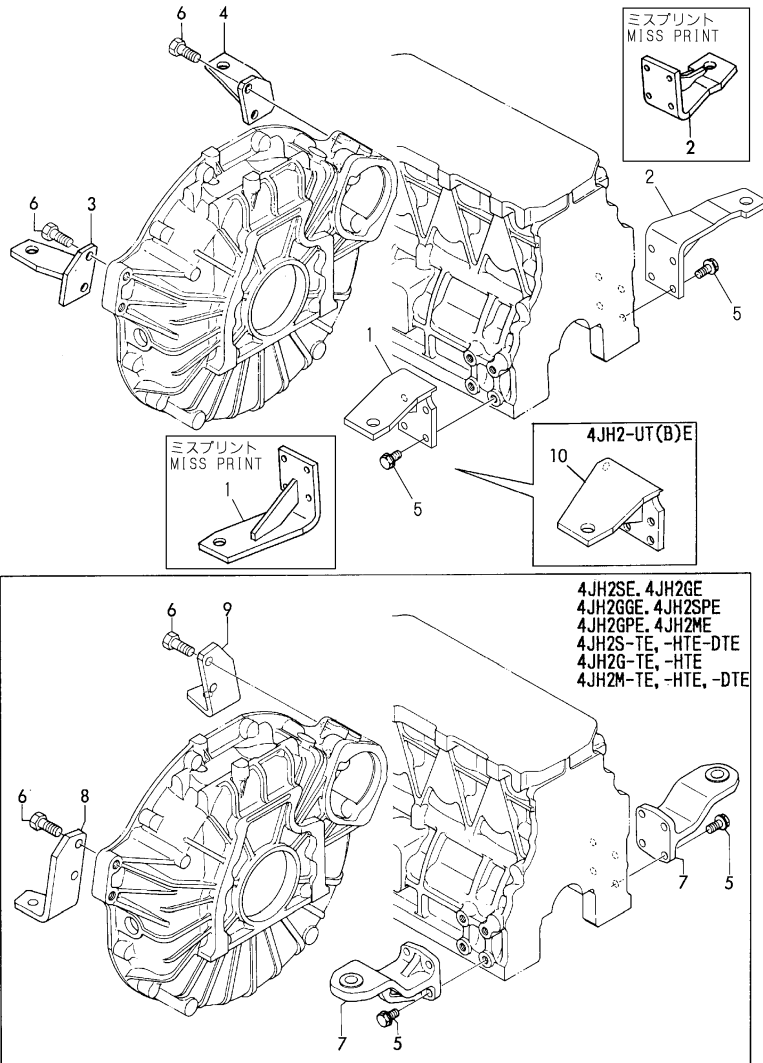
(A)=4JH2E (D)=4JH2-DTE  
 (B)=4JH2-TE (E)=4JH2-UTE(B)  
 (C)=4JH2-HTE (F)=

REF.	LEV.	PARTS NO.	DESCRIPTION	QTY						I	R
				(A)	(B)	(C)	(D)	(E)	(F)		
1	1	177088-02430	LABEL	1	1	1	1	1			
2	1	177075-02550	LABEL	1	1	1	1	1			
3	1	135665-07210	LABEL	1	1	1	1	1			
4	1	127611-07350	LABEL	1	1	1	1	1			
4-1	1	129198-07350	LABEL	1	1	1	1	1			N
		(A=*1989.10)	(B=*1989.10)	(C=*1989.10)	(D=*1989.10)	(E=*1989.10)					
5	1	126630-07370	LABEL	1	1	1	1	1			
6	1	123682-07850	LABEL	1	1	1	1	1			
7	1	120445-44620	PLATE	1	1	1	1	1			
I 17	1	129570-07500		1							W
		(A=E07330)									
I 17-1	1	129570-07501	LABEL	1							S
		(A=E09284)									
I 18	1	129571-07500			1						W
		(B=E14398)									
I 18-1	1	129571-07501	LABEL		1						S
		(B=E15060)									
I 19	1	129572-07500				1					W
		(C=E23324)									
I 19-1	1	129572-07501	LABEL			1					S
		(C=E23721)									
I 20	1	129573-07500					1				W
		(D=E34692)									
I 20-1	1	129573-07501	LABEL				1				S
		(D=E35651)									
I 21	1	129574-07500						1			W
		(E=E40779)									
I 21-1	1	129574-07501	LABEL					1			S
		(E=E41481)									

Fig.6.MOUNTING FOOT

P/C NEWS No:Y00R3512-9  
PUBLISHED:2002/2

Fig. 6 マウンティングフット  
MOUNTING FOOT

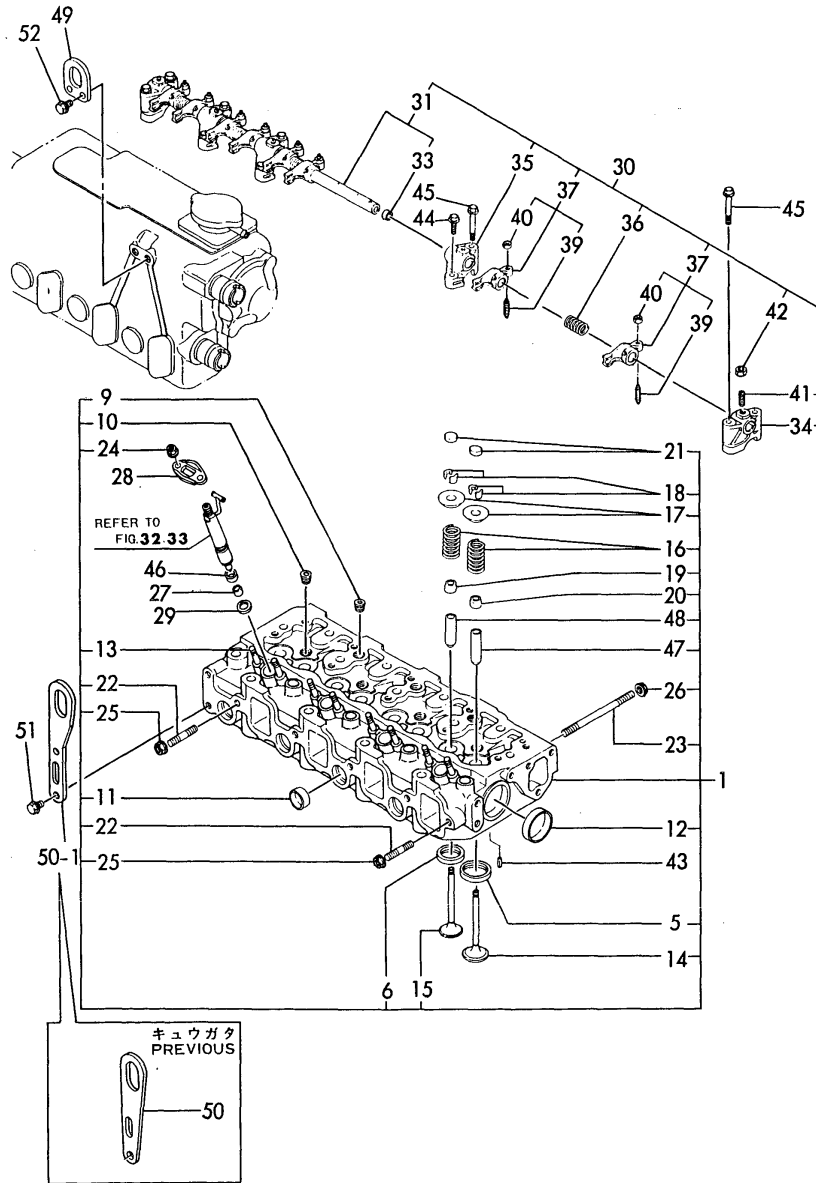


(A)=4JH2E (D)=4JH2-DTE  
(B)=4JH2-TE (E)=4JH2-UTE(B)  
(C)=4JH2-HTE (F)=

REF.	LEV.	PARTS NO.	DESCRIPTION	QTY						I	R
				(A)	(B)	(C)	(D)	(E)	(F)		
1	1	129473-08100	FOOT	1	1	1	1				
2	1	129473-08110	FOOT	1	1	1	1	1			
3	1	129473-08120	FOOT	1	1	1	1	1			
4	1	129473-08130	FOOT	1	1	1	1	1			
5	1	26106-100202	BOLT M10X 20 PLATED	8	8	8	8	8			
6	1	26116-120302	BOLT M12X 30 PLATED	4	4	4	4	4			
7	1	129470-08100	BRACKET	2	2	2	2				1
8	1	129470-08110	BRACKET	1	1	1	1				1
9	1	129470-08120	BRACKET	1	1	1	1				1
10	1	129574-08100	BRACKET								1

Fig.7.CYLINDER HEAD

Fig.7 シリンダヘッド  
CYLINDER HEAD



Remarks  
(1) REPAIR PART

(A)=4JH2E (D)=4JH2-DTE  
(B)=4JH2-TE (E)=4JH2-UTE(B)  
(C)=4JH2-HTE (F)=

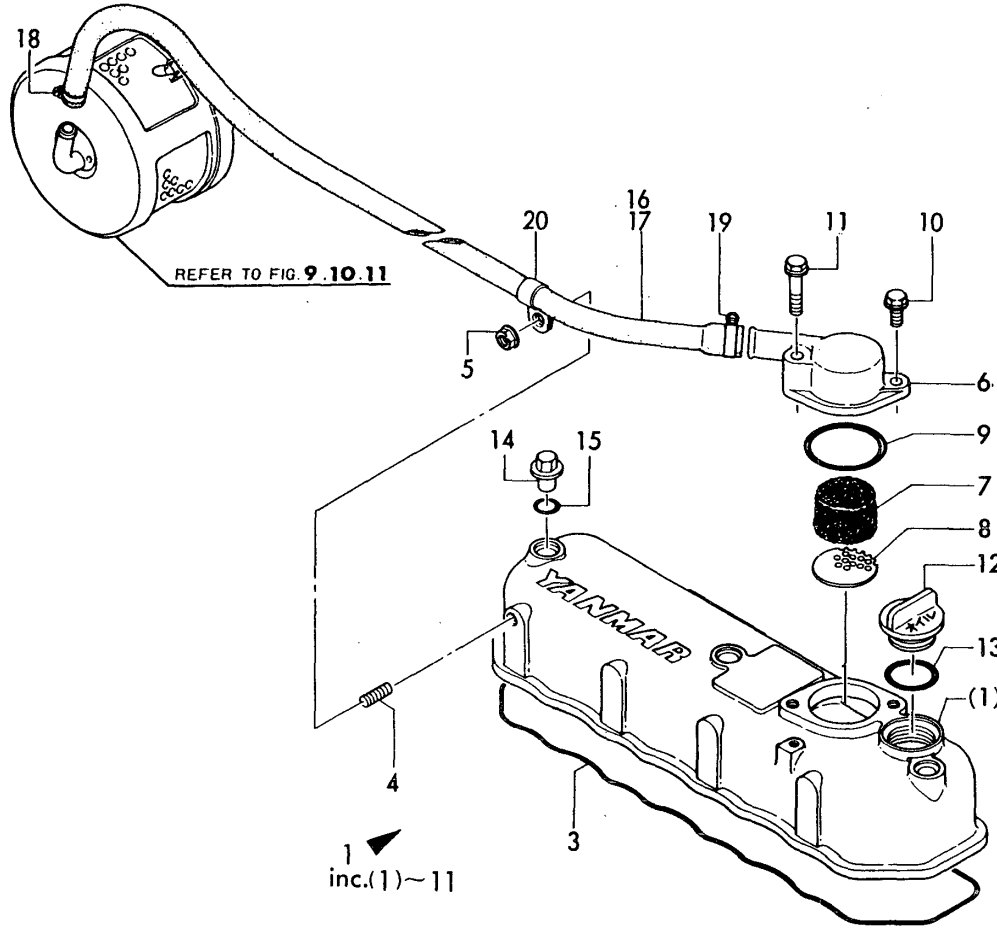
REF.	LEV.	PARTS NO.	DESCRIPTION	QTY						I	R
				(A)	(B)	(C)	(D)	(E)	(F)		
1A	1	729473-11700	HEAD ASSY, CYLINDER				1	1			
1B	1	729474-11701	HEAD ASSY..CYLINDER	1	1						
1C	1	729574-11700	HEAD ASSY..CYLINDER								1
5	3	129470-11850	SEAT, VALVE	4	4	4	4	4	4		
6	3	129470-11090	SEAT, VALVE (EXH)	4	4	4	4	4	4		
9	3	121850-11860	PLUG PT1/4	3	3	3	3	3	3		
10	3	23871-030000	PLUG PT3/8,SCREW	4	4	4	4	4	4		
11	3	27241-220000	PLUG 22	4	4	4	4	4	4		
12	3	27241-400000	PLUG 40	2	2	2	2	2	2		
13	3	26216-060202	STUD M 6X 20 PLATED	8	8	8	8	8	8		
14	2	129100-11100	VALVE, INTAKE	4	4	4	4	4	4		
15	2	129100-11110	VALVE, EXHAUST	4	4	4	4	4	4		
16	2	129795-11120	SPRING, VALVE	8	8	8	8	8	8		
17	2	129795-11180	RETAINER, SPRING	8	8	8	8	8	8		
18	2	103338-11190	COTTER 8	8	8	8	8	8	8		
I 18-1	2	103338-11190	COTTER 8	16	16	16	16	16	16		K
		(A=*1991.01)	(B=*1991.01)	(C=*1991.01)	(D=*1991.01)	(E=*1991.01)					
19	2	121400-11340	SEAL, VALVE STEM	4	4	4	4	4	4		
20	2	124460-11340	SEAL, VALVE STEM	4	4	4	4	4	4		
21	2	129150-11370	CAP, VALVE	8	8	8	8	8	8		
22	2	26216-080222	STUD M 8X 22 PLATED	2	2	2	2	2	2		
23	2	26216-081002	STUD M 8X100 PLATED	2	2	2	2	2	2		
24	2	26367-060002	NUT M 6	8	8	8	8	8	8		
25	2	26366-080002	NUT M 8	2	2	2	2	2	2		
26	2	26366-080002	NUT M 8	2	2	2	2	2	2		
27	1	119625-11870	PROTECTOR, NOZZLE	4	4	4	4	4	4		
28	1	119625-11900	RETAINER	4	4	4	4	4	4		
29	1	119625-11880	SEAT, NOZZLE	4	4	4	4	4	4		
30	1	129555-11241	SHAFT ASSY, ROCKER	1	1	1	1	1	1		
31	2	129550-11290	SHAFT, ROCKER ARM	1	1	1	1	1	1		
33	3	27241-100000	PLUG 10	2	2	2	2	2	2		
34	2	129155-11260	SUPPORT, ROCKER ARM	2	2	2	2	2	2		
35	2	129155-11270	SUPPORT, ROCKER ARM	3	3	3	3	3	3		
36	2	129150-11280	SPRING	4	4	4	4	4	4		
37	2	729150-11650	ARM ASSY, ROCKER	8	8	8	8	8	8		
I 37-1	2	729402-11650	ARM ASSY, ROCKER	8	8	8	8	8	8		N
		(A=E-XXXX)	(B=E-XXXX)	(C=E-XXXX)	(D=E-XXXX)	(E=E-XXXX)					
39	3	129150-11230	SCREW, VALVE	8	8	8	8	8	8		
40	3	129150-11750	NUT M8XP1.0	8	8	8	8	8	8		
I 41	2	26226-080182	STUD M 8X 18 PLATED								
42	2	26756-080002	LOCK NUT M 8 PLATED	3	3	3	3	3	3		
43	1	22351-060012	SPRING PIN 6X12	2	2	2	2	2	2		
44	1	26106-080252	BOLT M 8X 25 PLATED	3	3	3	3	3	3		
45	1	26106-080502	BOLT M 8X 50 PLATED	7	7	7	7	7	7		
I 46	1	129470-11920	GASKET			4	4	4	4		W
		(C=E-XXXX)	(D=E-XXXX)								
I 47	1	120130-11860	GUIDE, VALVE	4	4	4	4	4	4		1
I 48	1	129150-11810	GUIDE, VALVE	4	4	4	4	4	4		1
49	1	129470-07230	LIFTER, ENGINE	1	1	1	1	1	1		
50	1	124736-07900	LIFTER, ENGINE	1	1	1	1	1	1		
I 50-1	1	129171-07900	RETAINER	1	1	1	1	1	1		R
		(A=*1990.12)	(B=*1990.12)	(C=*1990.12)	(D=*1990.12)	(E=*1990.12)					
I 51	1	26106-080142	BOLT M 8X 14 PLATED								
52	1	26106-080162	BOLT M 8X 16 PLATED	2	2	2	2	2	2		



(A)=4JH2E (D)=4JH2-DTE  
 (B)=4JH2-TE (E)=4JH2-UTE(B)  
 (C)=4JH2-HTE (F)=

Fig.8.BONNET & BREATHER

Fig. 8 ボンネット&ブリーザ  
 BONNET & BREATHER

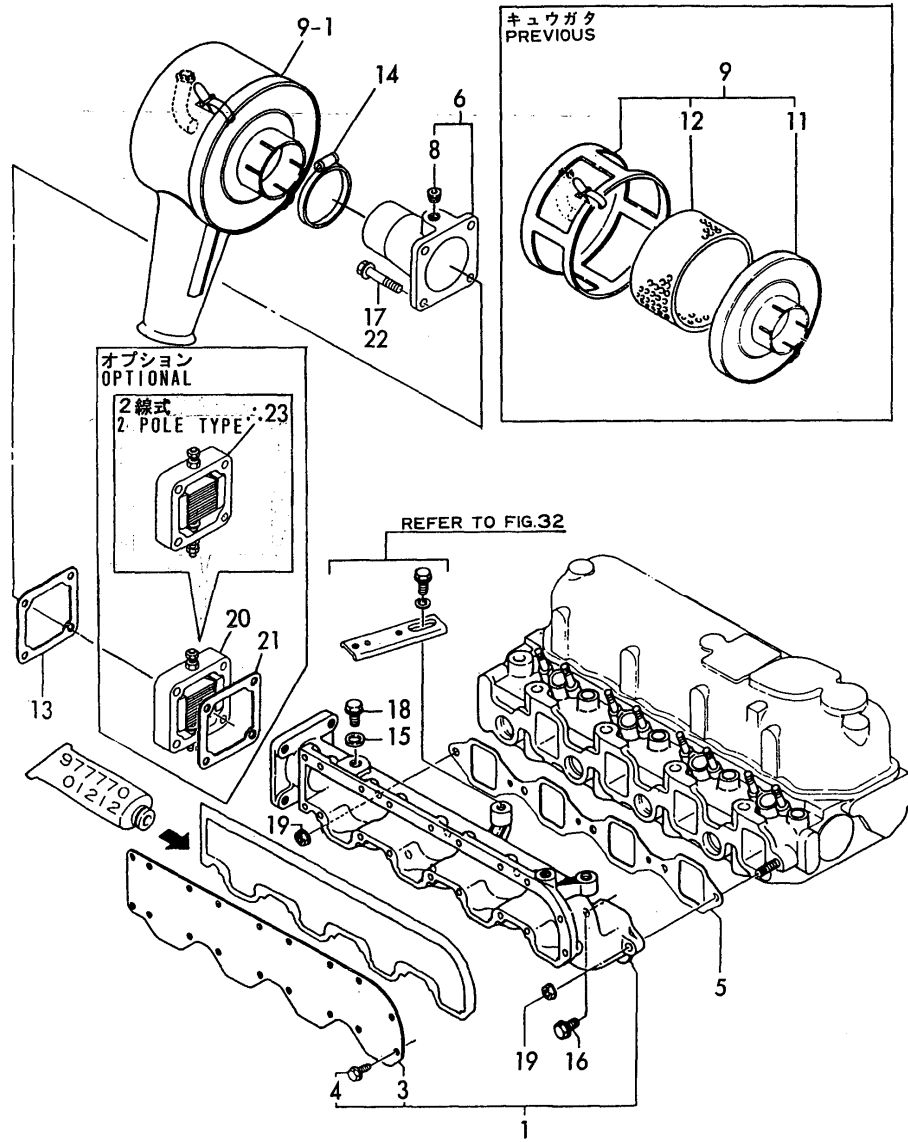


REF.	LEV.	PARTS NO.	DESCRIPTION	QTY						I	R
				(A)	(B)	(C)	(D)	(E)	(F)		
1	1	729470-11520	BONNET ASSY, HEAD	1	1	1	1	1			
3	2	129550-11310	GASKET, BONNET	1	1	1	1	1			
4	2	121850-01910	STUD 8X12	1	1	1	1	1			
5	2	26366-080002	NUT M 8	1	1	1	1	1			
6	2	129470-03010	COVER, BREATHER	1	1	1	1	1			
7	2	129150-03070	BAFFLE, BREATHER	1	1	1	1	1			
8	2	121750-03080	PLATE, BAFFLE	1	1	1	1	1			
9	2	24341-000500	O-RING 1A S-50.0	1	1	1	1	1			
10	2	26106-080202	BOLT M 8X 20 PLATED	1	1	1	1	1			
11	2	26106-080402	BOLT M 8X 40 PLATED	1	1	1	1	1			
12	1	124160-01751	CAP, LUB.OIL SUPPLY	1	1	1	1	1			
I 13	1	24311-000320	O-RING 1A P-32.0								
14	1	124160-11360	KNOB	3	3	3	3	3			
15	1	24311-000120	O-RING 1A P 12.0	3	3	3	3	3			
16	1	129472-03090	PIPE, BREATHER		1	1	1	1			
17	1	129470-03090	PIPE, BREATHER	1							
18	1	23000-016000	CLAMP 16	1	1	1	1	1			
I 18-1	1	129301-03660	CLAMP 16	1	1	1	1	1			R
		(A=*1990.11)	(B=*1990.11)	(C=*1990.11)	(D=*1990.11)	(E=*1990.11)					
19	1	23000-025000	CLAMP 25	1	1	1	1	1			
I 19-1	1	129410-03990	CLAMP 24	1	1	1	1	1			R
		(A=*1990.11)	(B=*1990.11)	(C=*1990.11)	(D=*1990.11)	(E=*1990.11)					
20	1	23297-160081	RETAINER 16X 8	1	1	1	1	1			

(A)=4JH2E (D)=4JH2-DTE  
 (B)=4JH2-TE (E)=4JH2-UTE(B)  
 (C)=4JH2-HTE (F)=

Fig.9.SUCTION MANIFOLD(4JH2E)

Fig. 9 キュウキマニホールド (4JH2-E)  
 SUCTION MANIFOLD



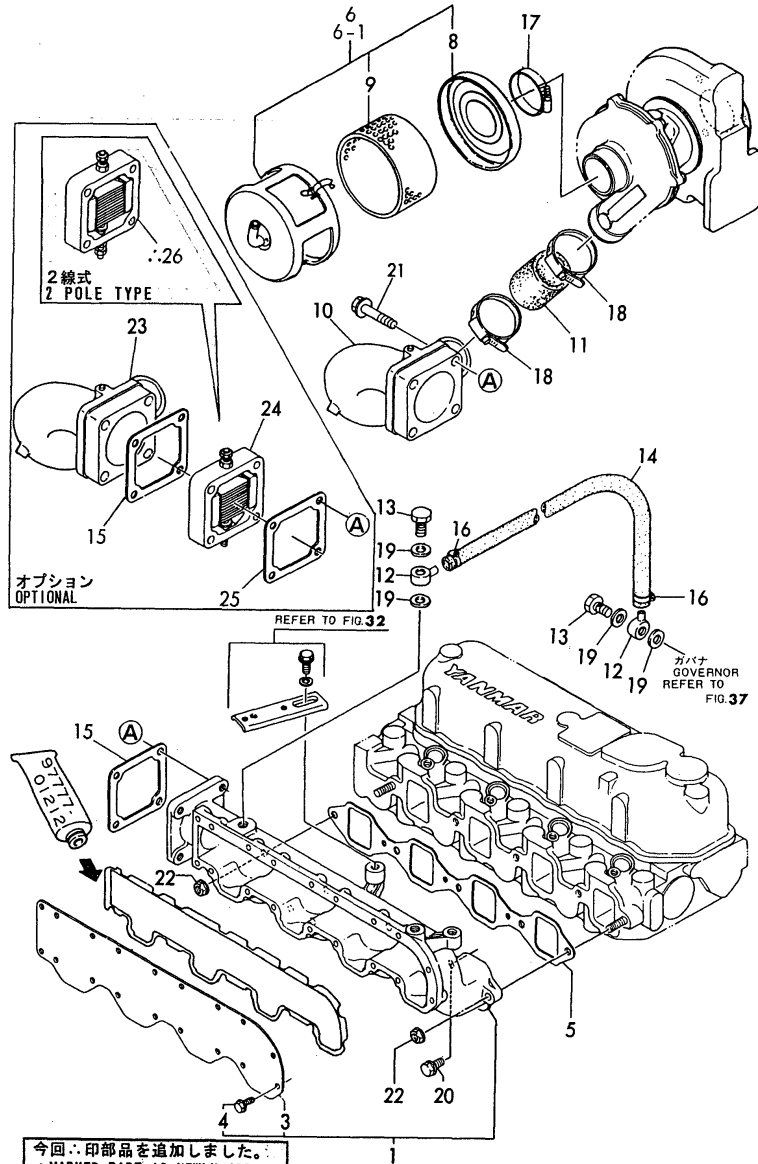
REF.	LEV.	PARTS NO.	DESCRIPTION	QTY						I	R
				(A)	(B)	(C)	(D)	(E)	(F)		
1	1	129470-12100	MANIFOLD, AIR INTAKE	1							
3	2	129470-12120	CAP	1							
4	2	26476-060142	BOLT M 6X 14,TAPPING	18							
5	1	129470-12130	GASKET	1							
6	1	129470-12210	JOINT ASSY	1							
8	2	23871-010000	PLUG PT1/8,SCREW	1							
9	1	129470-12300	SILENCER, INTAKE	1							
9-1	1	129570-12300	SILENCER, INTAKE	1							N
(A=*1990.07)											
11	2	129470-12320	BRACKET	1							Z
(A=*1990.07)											
12	2	129470-12330	ELEMENT ASSY	1							Z
(A=*1990.07)											
13	1	129470-77590	GASKET, (NON-ASB.)	1							
14	1	23000-054000	CLAMP 54	1							
15	1	23414-100000	GASKET 10, ROUND	1							
16	1	26106-080202	BOLT M 8X 20 PLATED	3							
17	1	26106-080202	BOLT M 8X 20 PLATED	4							
18	1	26106-100122	BOLT M10X 12 PLATED	1							
19	1	26366-080002	NUT M 8	2							
20	1	129100-77500	HEATER, AIR	1							1
21	1	129100-77510	GASKET, AIR HEATER	1							1
22	1	26106-080402	BOLT M 8X 40 PLATED	4							1
I 23	1	129400-77501	AIR HEATER	1							W 2
(A=E07940)											

Remarks  
 (1) OPTIONAL  
 (2) OPTIONAL : 2POLE TYPE.

(A)=4JH2E (D)=4JH2-DTE  
 (B)=4JH2-TE (E)=4JH2-UTE(B)  
 (C)=4JH2-HTE (F)=

Fig.10.SUCTION MANIFOLD(4JH2-TE)

Fig.10 キュウキマニホルド(4JH2-TE)  
 SUCTION MANIFOLD



今回：印部品を追加しました。  
 MARKED PART IS NEWLY ADDED.

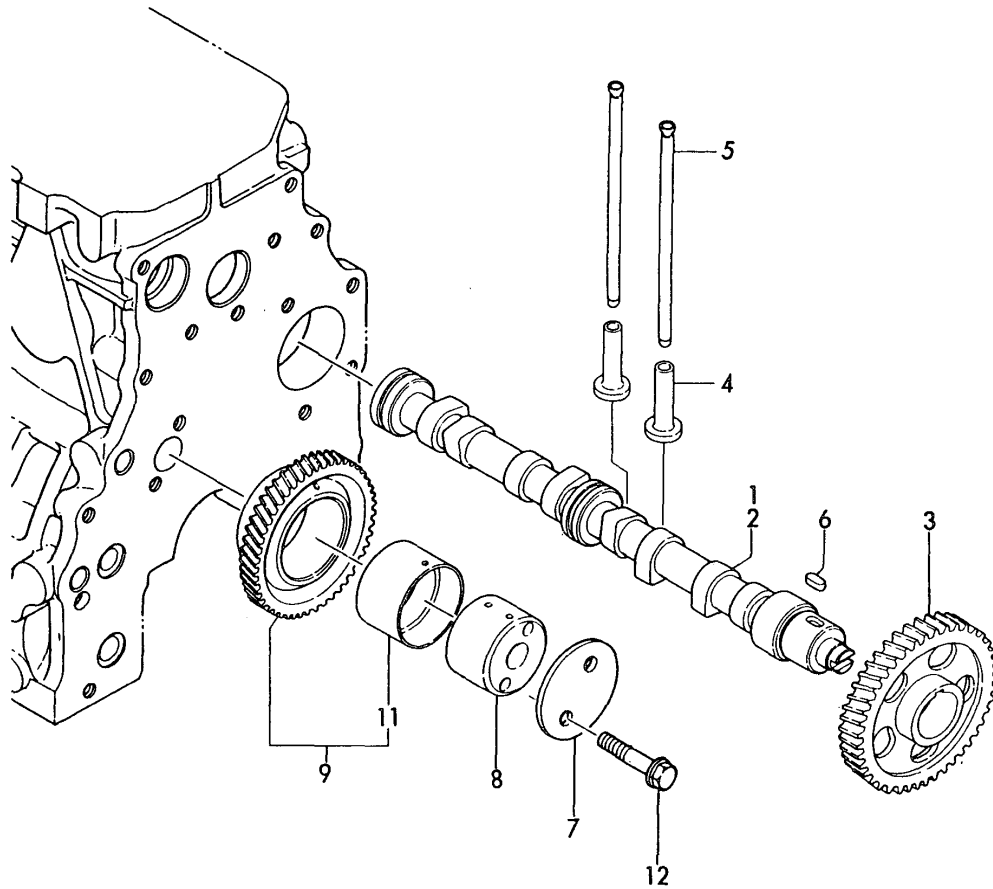
Remarks  
 (1) OPTIONAL  
 (2) OPTIONAL : 2POLE TYPE.

REF.	LEV.	PARTS NO.	DESCRIPTION	QTY						I	R
				(A)	(B)	(C)	(D)	(E)	(F)		
1	1	129470-12100	MANIFOLD, AIR INTAKE		1						
3	2	129470-12120	CAP		1						
4	2	26476-060142	BOLT M 6X 14,TAPPING		18						
5	1	129470-12130	GASKET		1						
6	1	129470-12300	SILENCER, INTAKE		1						
6-1	1	129470-12301	SILENCER, INTAKE		1						S
(B=*1991.01)											
8	2	129470-12320	BRACKET		1						
9	2	129470-12330	ELEMENT ASSY		1						
10	1	129571-18130	DUCT, AIR		1						
11	1	129595-18141	HOSE, RUBBER		1						
12	1	129590-18520	JOINT 10, PIPE		2						
13	1	124160-39140	BOLT 10, PIPE JOINT		2						
14	1	124070-59110	PIPE,FUEL L=155		1						
15	1	129470-77590	GASKET, (NON-ASB.)		1						
16	1	23000-013000	CLAMP 13		2						
17	1	23000-054000	CLAMP 54		1						
18	1	23000-060000	CLAMP 60		2						
19	1	23414-100000	GASKET 10, ROUND		4						
20	1	26106-080202	BOLT M 8X 20 PLATED		3						
21	1	26106-080402	BOLT M 8X 40 PLATED		4						
22	1	26366-080002	NUT M 8		2						
23	1	129571-18140	DUCT		1						1
24	1	129100-77500	HEATER, AIR		1						1
25	1	129100-77510	GASKET, AIR HEATER		1						1
I	26	129400-77501	AIR HEATER		1						W 2
(B=E14619)											



Fig.12.CAMSHAFT & DRIVING GEAR

Fig. **12** カムシャフト&クドウギヤ  
CAMSHAFT & DRIVING GEAR



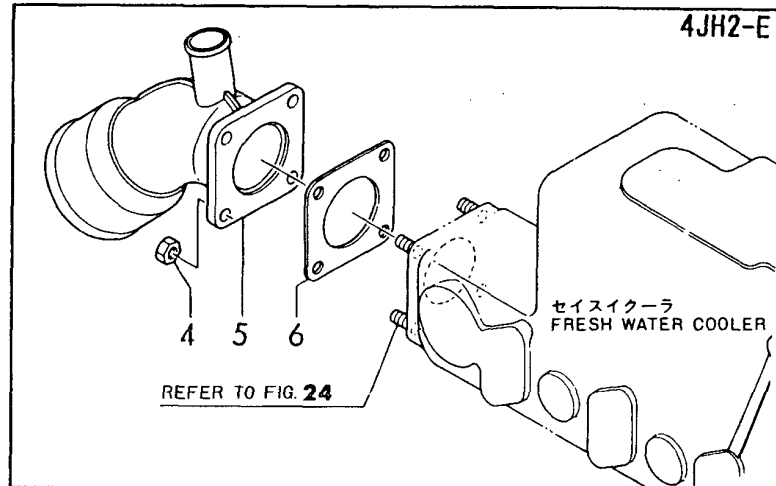
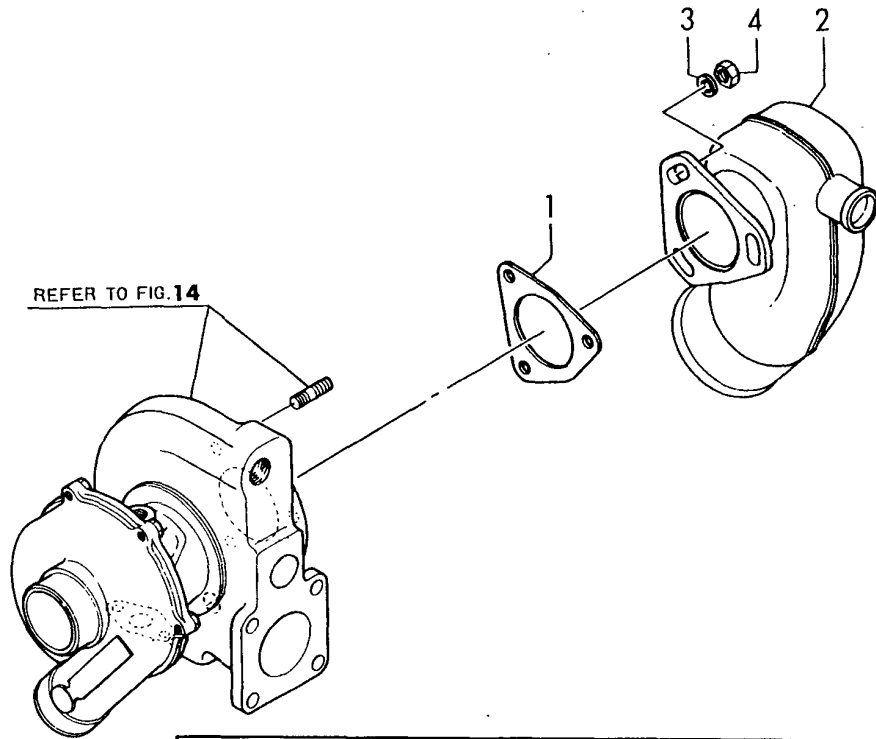
(A)=4JH2E (D)=4JH2-DTE  
(B)=4JH2-TE (E)=4JH2-UTE(B)  
(C)=4JH2-HTE (F)=

REF.	LEV.	PARTS NO.	DESCRIPTION	QTY						I	R
				(A)	(B)	(C)	(D)	(E)	(F)		
1	1	129472-14011	CAMSHAFT		1	1	1	1			
2	1	129470-14011	CAMSHAFT	1							
3	1	129150-14101	GEAR, CAMSHAFT	1	1	1	1	1			
4	1	129150-14200	TAPPET	8	8	8	8	8			
5	1	119171-14400	PUSH ROD	8	8	8	8	8			
6	1	22512-070140	KEY 7X 14	1	1	1	1	1			
7	1	129150-25020	RETAINER	1	1	1	1	1			
8	1	129150-25052	SHAFT, IDLE	1	1	1	1	1			
9	1	129150-25101	GEAR W/BUSH	1	1	1	1	1			
9-1	1	129573-25100	GEAR ASSY, IDLE	1	1	1	1	1			N
		(A=*1989.07)	(B=*1989.07)	(C=*1989.07)	(D=*1989.07)	(E=*1989.07)					
11	2	129150-25061	BUSH, IDLE GEAR	1	1	1	1	1			
11-1	2	129573-25060	BUSH, IDLE GEAR	1	1	1	1	1			N
		(A=*1989.07)	(B=*1989.07)	(C=*1989.07)	(D=*1989.07)	(E=*1989.07)					
12	1	26106-080452	BOLT M 8X 45 PLATED	2	2	2	2	2			

(A)=4JH2E (D)=4JH2-DTE  
 (B)=4JH2-TE (E)=4JH2-UTE(B)  
 (C)=4JH2-HTE (F)=

Fig.13.MIXING ELBOW

Fig. **13** ミキシングエルボ  
 MIXING ELBOW

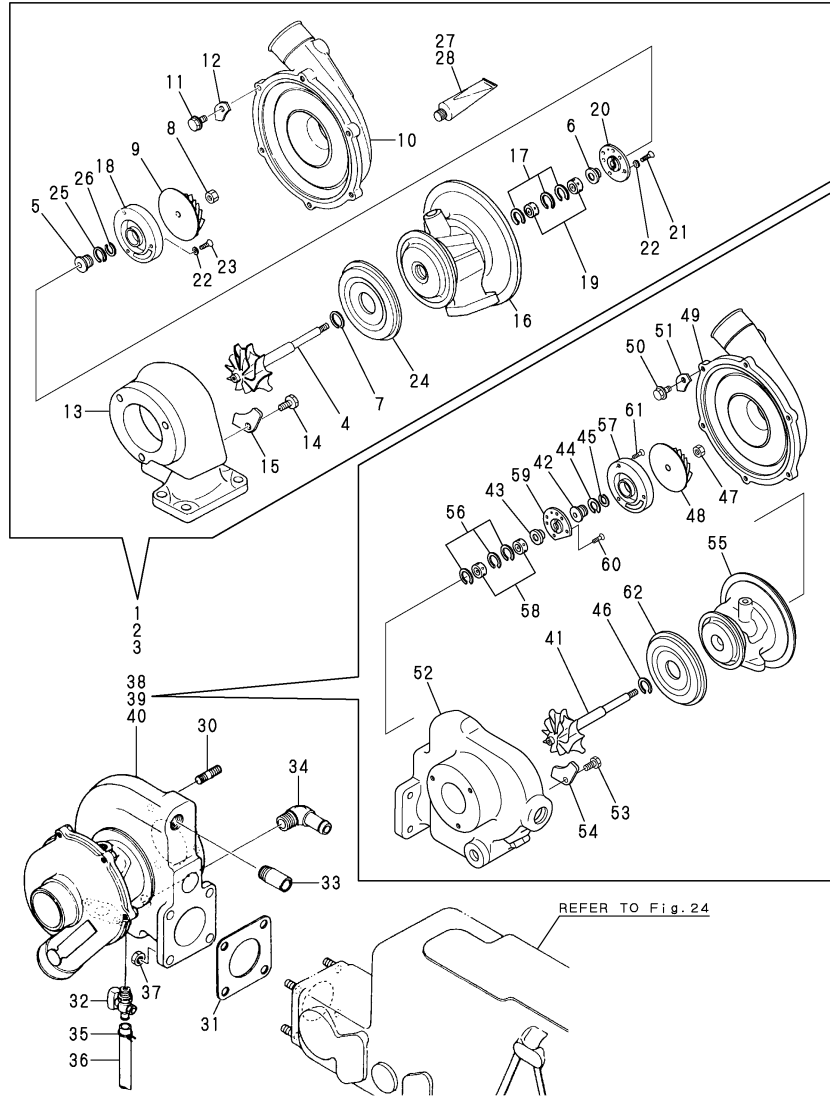


REF.	LEV.	PARTS NO.	DESCRIPTION	QTY						I	R
				(A)	(B)	(C)	(D)	(E)	(F)		
1	1	129472-13520	GASKET		1	1	1	1			
2	1	129792-13552	ELBOW, MIXING		1	1	1	1			
3	1	22137-080000	WASHER 8, POLISHED		3	3	3	3			
4	1	26703-080002	NUT M 8		4	3	3	3	3		
5	1	129470-13560	ELBOW,WATER MIXING		1						
6	1	129472-18090	GASKET		1						

Fig.14.TURBOCHARGER

P/C NEWS No. : Y00R3512-10  
PUBLISHED : 2003/4

Fig. 14 タービン TURBOCHARGER



Remarks  
 (1)INTERCHANGEABILITY IS <S> WITH REF.NO.2.  
 (2)INTERCHANGEABILITY IS <S> WITH REF.NO.3.  
 (M)MISPRINT

(A)=4JH2E (D)=4JH2-DTE  
 (B)=4JH2-TE (E)=4JH2-UTE(B)  
 (C)=4JH2-HTE (F)=

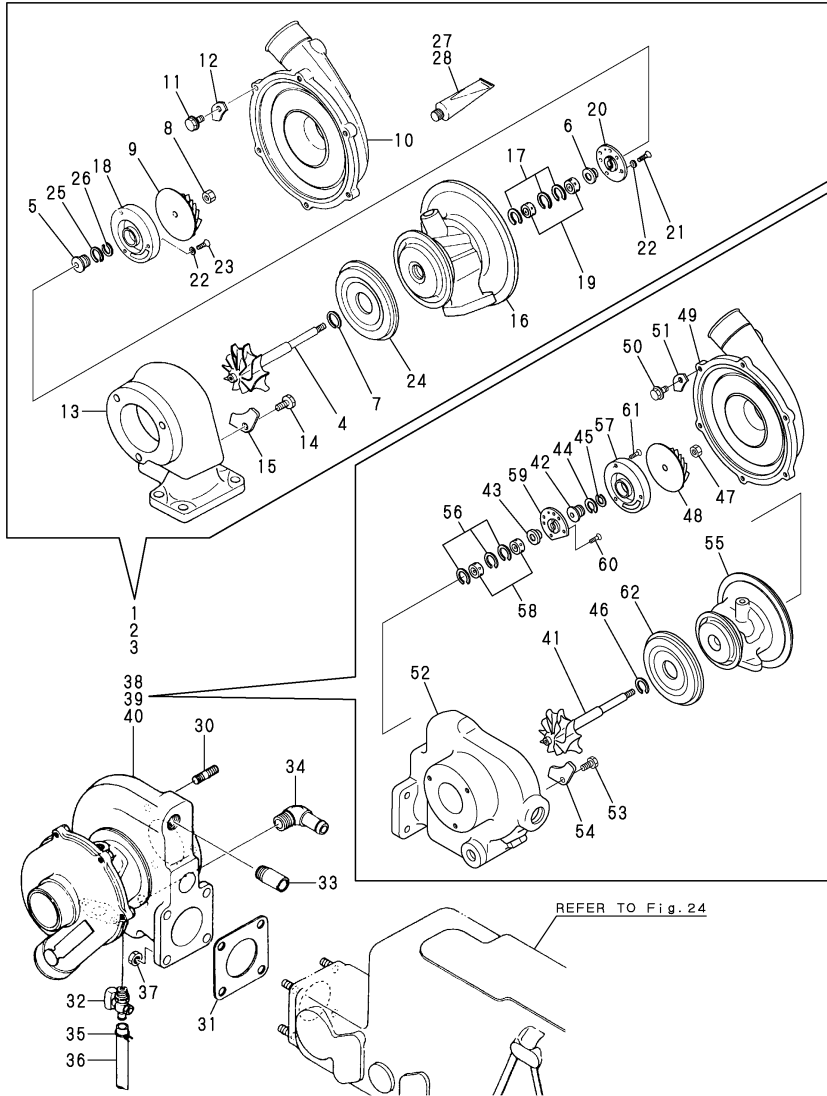
REF.	LEV.	PARTS NO.	DESCRIPTION	QTY						I	R
				(A)	(B)	(C)	(D)	(E)	(F)		
1	1	129571-18000	TURBO CHARGER RHB52	1							
I	2	129474-18001	SUPERCHARGER (C=E/#23728)		1						Z
I	3	129473-18000	TURBOCHARGER(RHB52HW) (D=E/#35728)			1	1	1	1		Z
						(E=E/#41490)					
4	2	XNN131500	SET, ROTOR PAR	1							
4A	2	XNN131570	SHAFT,TURBO.		1						
4B	2	XNN131502	SHAFT,TURBO.			1	1				
5	2	XNN131004	SHELTER	1	1	1	1				
6	2	XNN131005	BUSH, THRUST	1	1	1	1				
I	7	XNN131536	SEALING	1							M
I	7A	XNN131106	RING, SEAL	1	1	1	1				
8	2	XNN131108	LOCK NUT	1	1	1	1				
9	2	XNN136607	IMPELLER	1							
9A	2	XNN136606	WHEEL BR348C		1	1	1				
10	2	XNE924350	HOUSING,BLOWER	1	1						
10A	2	XNN134092	HOUSING,BLOWER				1	1			
11	2	XNB134007	BOLT	6	6	6	6				
12	2	XNB134035	BRACKET	6							
12A	2	XNN134035	BRACKET		6	6	6				
I	13	XNN138443	HOUSING, TURBINE	1							M
I	13-1	XNE929040	HOUSING, TURBINE	1							
13A	2	XNE929010	HOUSING,TURBO.		1						
13B	2	XNN139402	HOUSING,TURBO.				1	1			
14	2	XNN196103	BOLT	4							
14A	2	XNN137007	BOLT M8		4	4	4				
15	2	XNN197404	RETAINER	4							
15A	2	XNN137423	RETAINER		4	4	4				
I	16	XNN133359	BEARING HOUSING	1							M
I	16-1	XNE923301	BEARING HOUSING	1							
16A	2	XNE923300	HOUSING,BEARING		1						
16B	2	XNN133442	HOUSING,BEARING				1	1			
17	2	XNN133204	CIRCLIP	3	3	3	3				
I	18	XNN133021	SEAL PLATE	1							M
I	18A	XNN133001	PLATE, SEAL	1	1	1	1				
19	2	XNN133504	METAL, FLOATING	2	2	2	2				
I	20	XNN133589	THRUST METAL	1							M
I	20A	XNN133505	BEARING, THRUST	1	1	1	1				
21	2	XNB133206	SCREW	4	4						
21A	2	XNN977006	SCREW				4	4			
22	2	XNN977007	WASHER				7	7			
23	2	XNB133208	SCREW(SEAL PLATE)	3	3						
23A	2	XNN133207	SCREW M3				3	3			
24	2	XNN137055	HEAT PROTECTOR	1	1	1	1				
25	2	XNN131008	SEAL RING,BLOW.SIDE	1	1	1	1				
26	2	XNB131008	SEAL RING,BLOW.SIDE	1	1	1	1				
27	2	XNN193653	GASKET, RIQUID	1	1	1	1				
28	2	XNN193655	BONDO	1	1	1	1				
I	29	XNN139811	OVERHALL KIT		1	1	1	1			M
30	1	128170-13600	STUD	3	3	3	3				
31	1	129792-18090	GASKET				1				
31-1	1	129472-18090	GASKET	1	1	1	1	1			N
							(D=E/#31928)				
32	1	128695-44090	COCK PT1/8	1	1	1	1				

++ CONTINUE ++

Fig.14.TURBOCHARGER

P/C NEWS No. : Y00R3512-10  
PUBLISHED : 2003/4

Fig. 14 タービン TURBOCHARGER



Remarks  
 (1)INTERCHANGEABILITY IS <S> WITH REF.NO.2.  
 (2)INTERCHANGEABILITY IS <S> WITH REF.NO.3.  
 (M)MISPRINT

(A)=4JH2E (D)=4JH2-DTE  
 (B)=4JH2-TE (E)=4JH2-UTE(B)  
 (C)=4JH2-HTE (F)=

REF.	LEV.	PARTS NO.	DESCRIPTION	QTY						I	R
				(A)	(B)	(C)	(D)	(E)	(F)		
33	1	129474-44480	JOINT		1	1	1	1			
33-1	1	104407-44480 (B=*1991.01)	JOINT (C=*1991.01) (D=*1991.01)		1	1	1	1			R
34	1	171007-49400	JOINT		1	1	1	1			
35	1	124460-77680	RETAINER		1	1	1	1			
36	1	23061-070300	PIPE 7X 300		1	1	1	1			
37	1	26703-080002	NUT M 8		4	4	4	4			
I 38	1	129572-18000	TURBOCHARGER ASSY (C=E/#23728)			1					W 1
I 39	1	129573-18000	TURBOCHARGER ASSY (D=E/#35728)				1				W 2
I 40	1	129574-18000	TURBOCHARGER ASSY (E=E/#41490)					1			W 2
I 41	2	XNN131614	SHAFT			1					
I 41A	2	XNN131572	SHAFT,TURBO.				1				
I 41B	2	XNN131502	SHAFT,TURBO.					1			
I 42	2	XNN131578	SHELTER			1	1	1			
I 43	2	XNN131579	BUSH, THRUST			1	1	1			
I 44	2	XNB131008	SEAL RING,BLOW.SIDE			1	1	1			
I 45	2	XNN131008	SEAL RING,BLOW.SIDE			1	1	1			
I 46	2	XNN131536	SEALING			1	1	1			
I 47	2	XNN131108	LOCK NUT			1	1	1			
I 48	2	XNN136613	IMPELLER			1		1			
I 48A	2	XNN136610	IMPELLER					1			
I 49	2	XNN133911	HOUSING,BLOWER			1		1			
I 49A	2	XNE924560	HOUSING,BLOWER				1				
I 50	2	XNB134007	BOLT			6	6	6			
I 51	2	XNN134035	BRACKET			6	6	6			
I 52	2	XNE928722	HOUSING			1					
I 52A	2	XNE929010	HOUSING,TURBO.					1			
I 52B	2	XNE929000	HOUSING,TURBO.								1
I 53	2	XNN137007	BOLT M8			5	4	4			
I 54	2	XNN137423	RETAINER			5	4	4			
I 55	2	XNE923383	HOUSING,BEARING			1					
I 55A	2	XNE923301	HOUSING, BEARI				1				
I 55B	2	XNN133382	HOUSING,BEARING								1
I 56	2	XNN133208	CIRCLIP			3	3	3			
I 57	2	XNN133021	SEAL PLATE			1	1	1			
I 58	2	XNN133506	METAL, FLOATING			2	2	2			
I 59	2	XNN133596	METAL,THRUST			1	1	1			
I 60	2	XNB133206	SCREW			4	4	4			
I 61	2	XNB133208	SCREW(SEAL PLATE			3	3	3			
I 62	2	XNN137055	HEAT PROTECTOR			1	1	1			

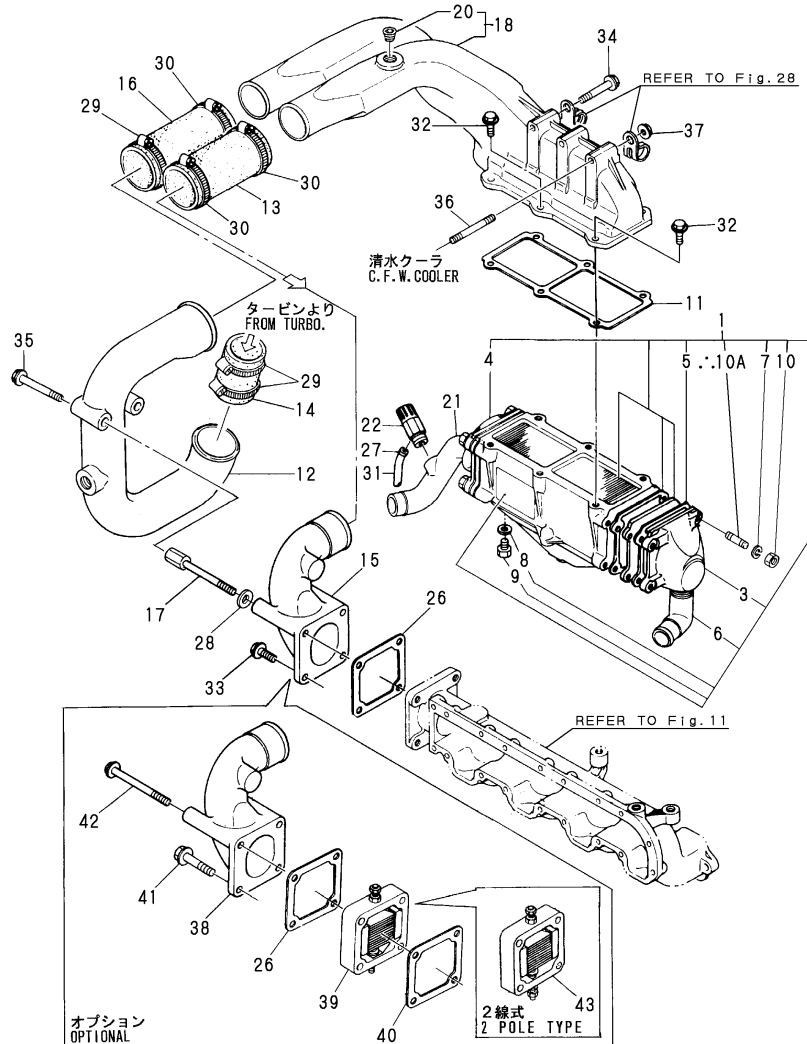


(A)=4JH2E (D)=4JH2-DTE  
 (B)=4JH2-TE (E)=4JH2-UTE(B)  
 (C)=4JH2-HTE (F)=

Fig.15.AIR COOLER(4JH2-HTE)

発行No.000Y00R3512-2  
 更新年月:1995.10  
 REVISED: Oct.,1995

Fig. 15 インタークーラ(4JH2-HTE)  
 AIR COOLER



印が今回変更(追記)した箇所です。  
 MARKED PART HAS BEEN CHANGED (ADDED).

Remarks  
 (1) OPTIONAL  
 (2) OPTIONAL : 2 POLE TYPE.  
 (3) NEW CODE NUMBERS FOR INTERNAL PARTS.

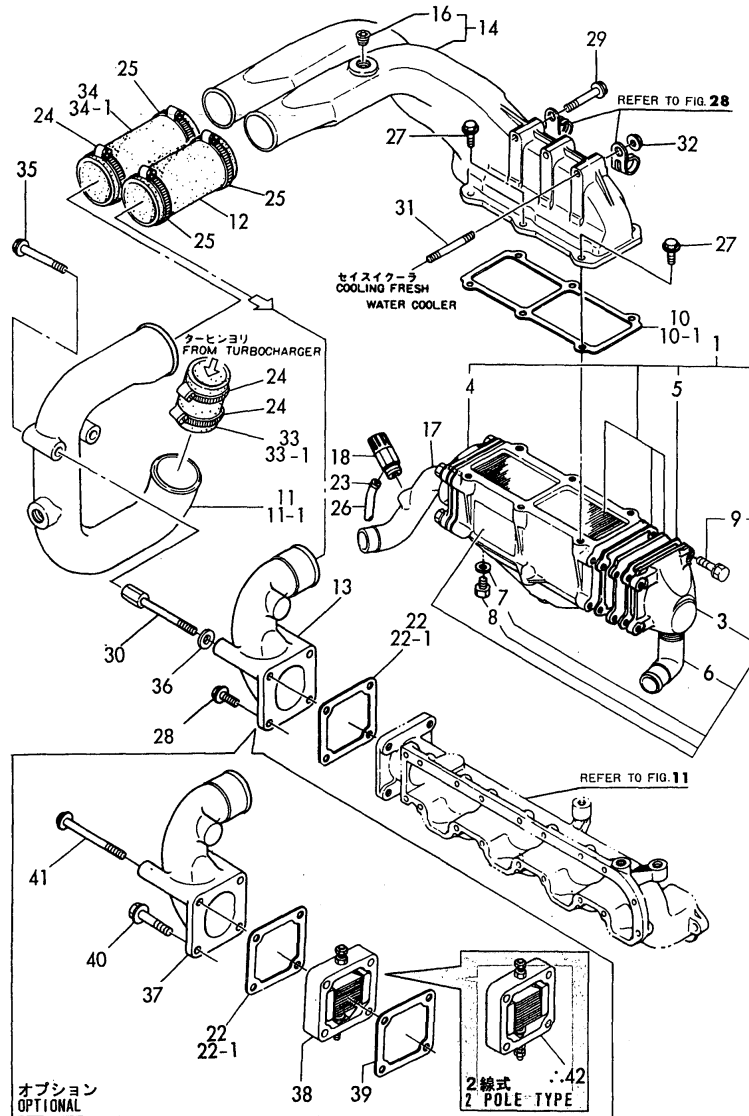
REF.	LEV.	PARTS NO.	DESCRIPTION	QTY						I	R		
				(A)	(B)	(C)	(D)	(E)	(F)				
1	1	129474-18100	COOLER ASSY, AIR										
3	2	129474-18220	TANK										
4	2	129474-18230	TANK										
5	2	129474-18241	GASKET										
6	2	123325-49490	ELBOW										
7	2	22217-080000	SPRING WASHER 8										
8	2	23414-130000	GASKET 13, ROUND										
9	2	23894-020002	PLUG PF1/4										
10	2	26366-080002	NUT M 8										
I	10A	2	X3916003482	STUD M6									3
11	1	129573-18120	GASKET										
12	1	129595-18131	DUCT, AIR										
13	1	129474-18140	HOSE, RUBBER										
14	1	129595-18141	HOSE, RUBBER										
15	1	129474-18150	BEND										
16	1	129595-18151	HOSE, RUBBER										
17	1	129595-18160	SPACER BOLT										
18	1	129474-18180	DUCT ASSY, AIR										
20	2	23871-010000	PLUG PT1/8,SCREW										
21	1	129474-49020	BEND										
22	1	120130-49350	COCK 1/4										
26	1	129470-77590	GASKET, (NON-ASB.)										
27	1	124460-77680	RETAINER										
28	1	22137-080000	WASHER 8, POLISHED										
29	1	23000-060000	CLAMP 60										
30	1	23000-070000	CLAMP 70										
31	1	23061-070300	PIPE 7X 300										
32	1	26106-080202	BOLT M 8X 20 PLATED										
33	1	26106-080202	BOLT M 8X 20 PLATED										
34	1	26106-080502	BOLT M 8X 50 PLATED										
35	1	26106-080802	BOLT M 8X 80 PLATED										
36	1	26226-080502	STUD M 8X 50 PLATED										
37	1	26366-080002	NUT M 8										
38	1	129474-18170	BEND										1
39	1	129100-77500	HEATER, AIR										1
40	1	129100-77510	GASKET, AIR HEATER										1
41	1	26106-080402	BOLT M 8X 40 PLATED										1
42	1	26106-080952	BOLT M 8X 95 PLATED										1
43	1	129400-77501	AIR HEATER										W 2

(C=E23484)

(A)=4JH2E (D)=4JH2-DTE  
 (B)=4JH2-TE (E)=4JH2-UTE(B)  
 (C)=4JH2-HTE (F)=

Fig.16.AIR COOLER(4JH2-DTE,UTE)

Fig. 16 インタークーラ(4JH2-DTE, UTE)  
 AIR COOLER



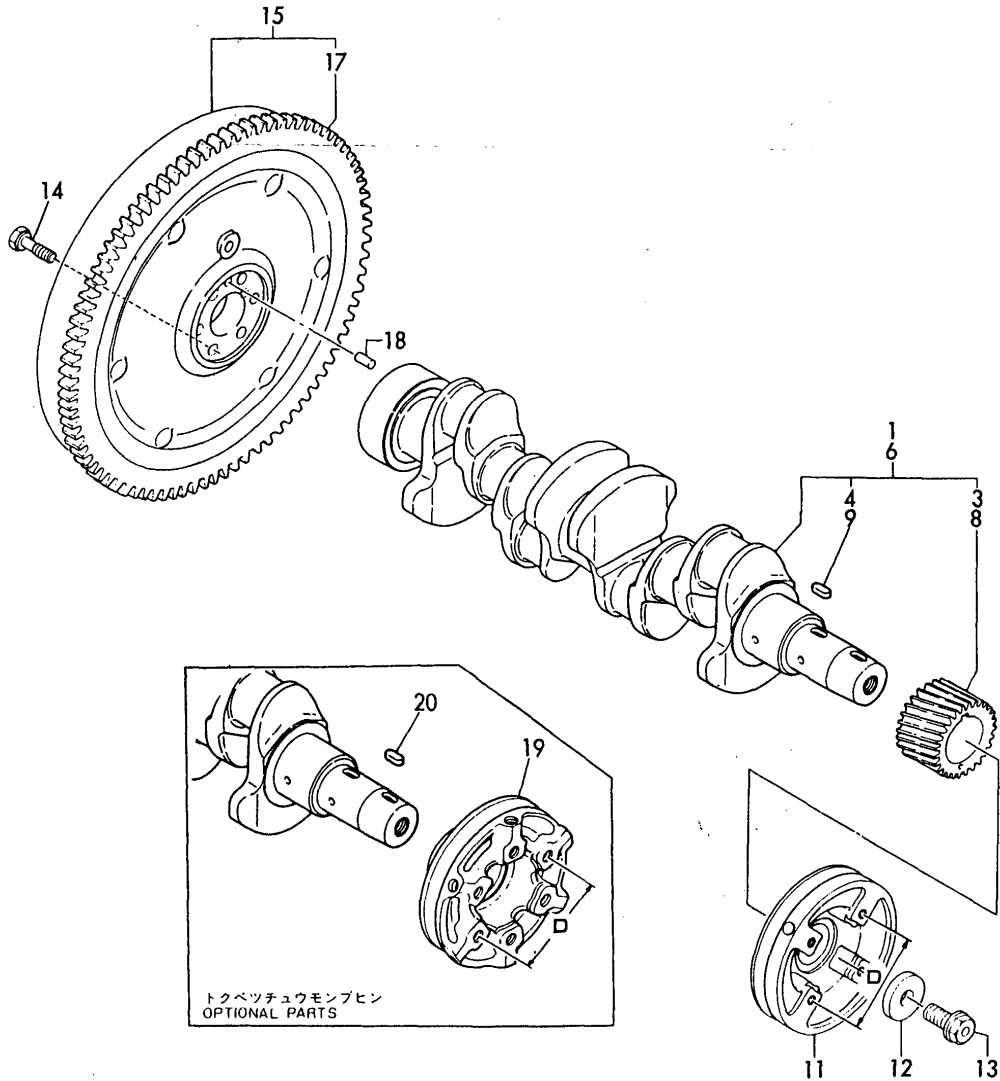
REF.	LEV.	PARTS NO.	DESCRIPTION	QTY						I	R	
				(A)	(B)	(C)	(D)	(E)	(F)			
1	1	129473-18101	AIR COOLER ASSY				1	1				
3	2	129474-18220	TANK				1	1				
4	2	129474-18230	TANK				1	1				
5	2	129474-18241	GASKET				2	2				
6	2	123325-49490	ELBOW				1	1				
7	2	23414-130000	GASKET 13, ROUND				1	1				
8	2	23894-020002	PLUG PF1/4				1	1				
9	2	26013-080302	BOLT M 8X 30				8	8				
10	1	129474-18120	GASKET				1					
10-1	1	129573-18120	GASKET				1	1			N	
			(D=E31928)									
11	1	129595-18130	DUCT, AIR				1					
11-1	1	129595-18131	DUCT, AIR				1	1			F	1
			(D=E31951)									
12	1	129474-18140	HOSE, RUBBER				1	1				
13	1	129474-18150	BEND				1	1				
14	1	129474-18180	DUCT ASSY, AIR				1	1				
16	2	23871-010000	PLUG PT1/8, SCREW				1	1				
17	1	129474-49020	BEND				1	1				
18	1	120130-49350	COCK 1/4				1	1				
22	1	129150-77510	GASKET, AIR HEATER				1					
22-1	1	129470-77590	GASKET, (NON-ASB.)				1	1			N	
			(D=E31928)									
23	1	124460-77680	RETAINER				1	1				
24	1	23000-060000	CLAMP 60				3	3				
25	1	23000-070000	CLAMP 70				3	3				
26	1	23061-070300	PIPE 7X 300				1	1				
27	1	26106-080202	BOLT M 8X 20 PLATED				6	6				
28	1	26106-080202	BOLT M 8X 20 PLATED				2	2				
29	1	26106-080502	BOLT M 8X 50 PLATED				1	1				
30	1	129595-18160	SPACER BOLT				2	2				
31	1	26226-080502	STUD M 8X 50 PLATED				2	2				
32	1	26366-080002	NUT M 8				2	2				
33	1	129595-18140	HOSE, RUBBER				1					
33-1	1	129595-18141	HOSE, RUBBER				1	1			S	
			(D=E31951)									
34	1	129595-18150	HOSE, RUBBER				1					
34-1	1	129595-18151	HOSE, RUBBER				1	1			S	
			(D=E31951)									
35	1	26106-080802	BOLT M 8X 80 PLATED				2	2				
36	1	22137-080000	WASHER 8, POLISHED				2	2				
37	1	129474-18170	BEND				1	1				2
38	1	129100-77500	HEATER, AIR				1	1				2
39	1	129100-77510	GASKET, AIR HEATER				1	1				2
40	1	26106-080402	BOLT M 8X 40 PLATED				2	2				2
41	1	26106-080952	BOLT M 8X 95 PLATED				2	2				2
I	42	129400-77501	AIR HEATER				1	1			W	3
			(D=E34965)									
			(E=E40923)									

Remarks  
 (1) INTERCHANGEABLE BY SIMULTANEOUS REPLACEMENT WITH REF.33-1 & 34-1.  
 (2) OPTIONAL  
 (3) OPTIONAL : 2POLE TYPE

Fig.17.CRANKSHAFT & FLYWHEEL

(A)=4JH2E (D)=4JH2-DTE  
 (B)=4JH2-TE (E)=4JH2-UTE(B)  
 (C)=4JH2-HTE (F)=

Fig. 17 クランクシャフト&フライホイール  
 CRANKSHAFT & FLYWHEEL



REF.	LEV.	PARTS NO.	DESCRIPTION	QTY						I	R
				(A)	(B)	(C)	(D)	(E)	(F)		
1	1	129470-21000	CRANKSHAFT	1							
1-1	1	129474-21000	CRANKSHAFT ASSY.	1							N
(A=*1987.02)											
3	2	129150-21200	GEAR, CRANKSHAFT	1							
4	2	22512-070140	KEY 7X 14	1							
6	1	129573-21000	CRANKSHAFT ASSY			1	1	1	1		
8	2	129150-21200	GEAR, CRANKSHAFT			1	1	1	1		
9	2	22512-070140	KEY 7X 14			1	1	1	1		
11	1	129470-21650	V-PULLEY	1	1	1	1	1	1		
12	1	129795-21661	WASHER	1	1	1	1	1	1		
13	1	121850-21680	BOLT, V-PULLEY	1	1	1	1	1	1		
14	1	121111-21501	BOLT, FLYWHEEL	6	6	6	6	6	6		
15	1	129573-21590	FLYWHEEL W/GEAR	1	1	1	1	1	1		
I	15-1	129570-21590	FLYWHEEL ASSY	1							N
(A=E00171)											
I	15A-2	129570-21591	FLYWHEEL ASSY	1				1			S
(A=E09282)											
I	15B-2	129572-21590	FLYWHEEL ASSY					1			S
(C=E23728)											
I	15C-2	129574-21590	FLYWHEEL ASSY					1		1	S
(B=E15092)											
(E=E41481)											
17	2	124550-21600	RING GEAR	1	1	1	1	1	1		
18	1	22312-080160	PARALLEL PIN 8X 16	1	1	1	1	1	1		
19	1	129490-21650	V-PULLY D82.5	1	1	1	1	1	1		1
20	1	22512-070160	KEY 7X 16	1	1	1	1	1	1		1

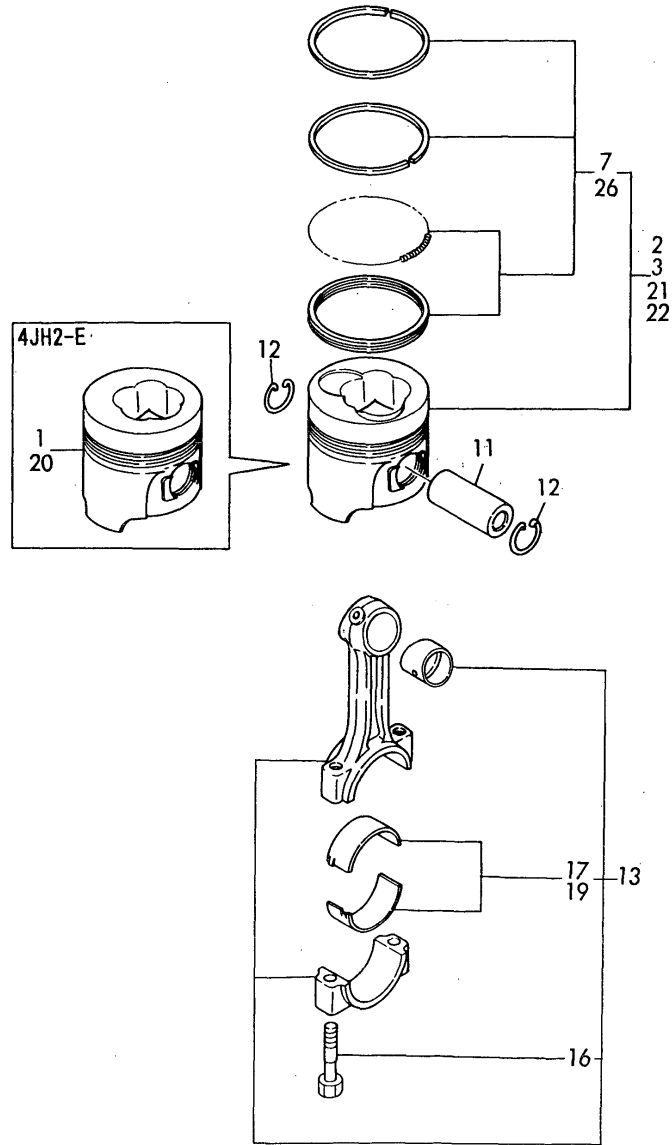
トクベツチュウモンピン  
 OPTIONAL PARTS

Remarks  
 (1)OPTIONAL

(A)=4JH2E (D)=4JH2-DTE  
 (B)=4JH2-TE (E)=4JH2-UTE(B)  
 (C)=4JH2-HTE (F)=

Fig.18.PISTON & CONNECTING ROD

Fig. 18 ピストン&コネクティングロッド  
 PISTON & CONNECTING ROD



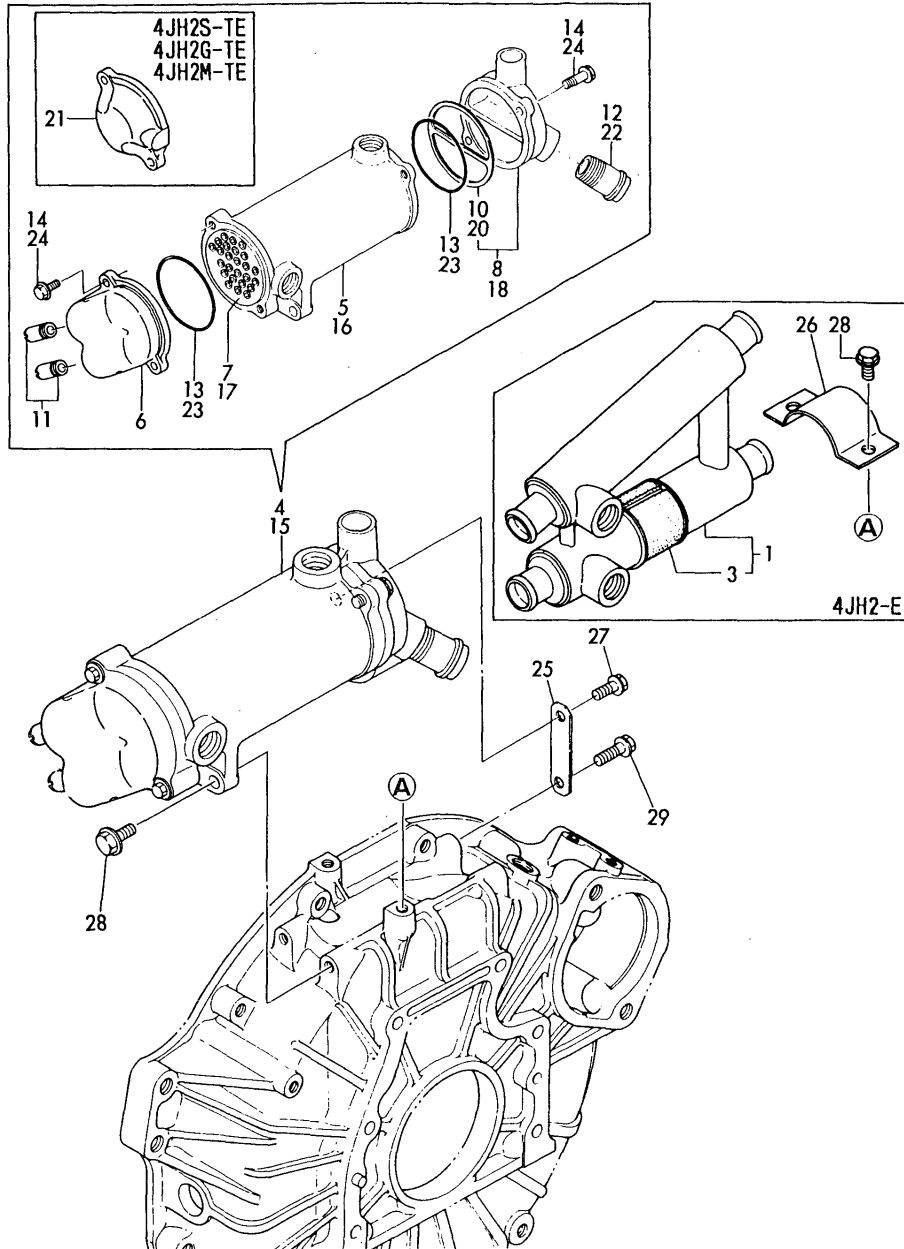
REF.	LEV.	PARTS NO.	DESCRIPTION	QTY						I	R	
				(A)	(B)	(C)	(D)	(E)	(F)			
1	1	129570-22000	PISTON W/RINGS	4								
2	1	129572-22000	PISTON ASSY		4	4						
3	1	129573-22000	PISTON W/RINGS					4	4			
7	2	729573-22500	RING SET	4	4	4	4	4				
11	1	129573-22300	PIN, PISTON	4	4	4	4	4				
12	1	22252-000280	CIRCLIP 28	8	8	8	8	8				
13	1	729573-23700	ROD ASSY, CONNECTING	4	4	4	4	4				
16	2	121550-23200	BOLT, CONNECTING ROD	8	8	8	8	8				
17	2	729150-23600	BEARING, CRANKPIN	4	4	4	4	4				
19	1	129150-23610	METAL.PIN US=0.25	4	4	4	4	4				1
20	1	129570-22500	PISTON W/RING OS=.25	4								2
21	1	129572-22500	PISTON W/RING(.25O.S		4	4						2
22	1	129573-22500	PISTON W/RING(.25O.S				4	4				2
26	2	729573-22540	RING SET O.S=0.25	4	4	4	4	4				2

Remarks  
 1) UNDER-SIZED METAL(0.25)  
 2) OVER SIZE OPTIONAL PARTS

Fig.19.LUB.OIL COOLER

(A)=4JH2E (D)=4JH2-DTE  
 (B)=4JH2-TE (E)=4JH2-UTE(B)  
 (C)=4JH2-HTE (F)=

Fig. 19 LOクーラ  
 LUB. OIL COOLER

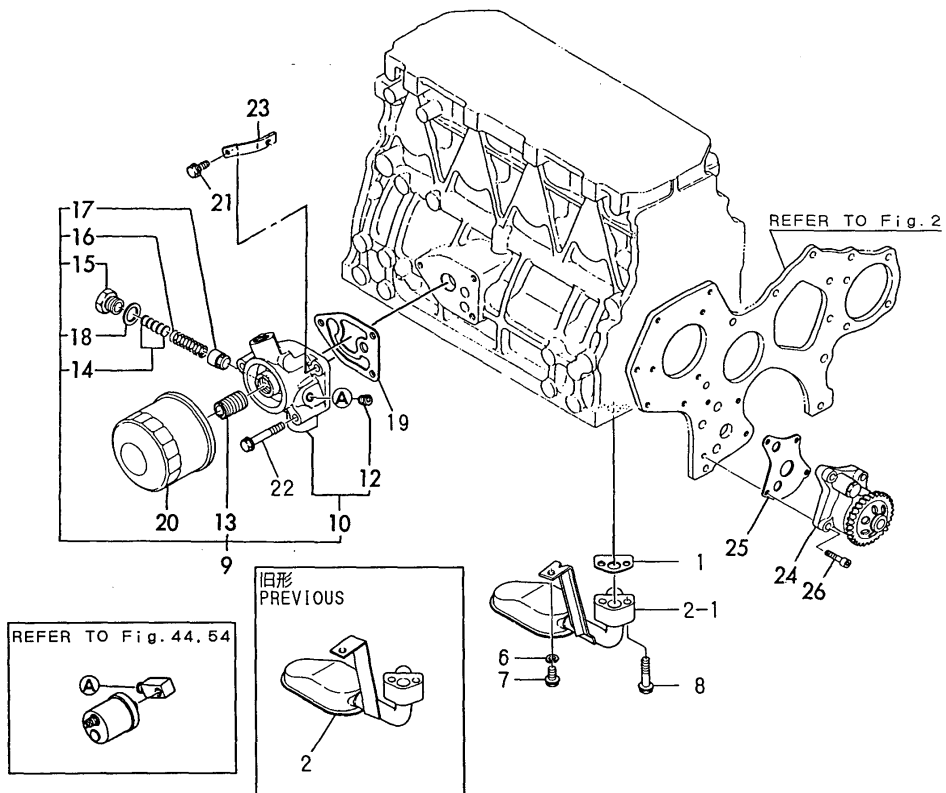


REF.	LEV.	PARTS NO.	DESCRIPTION	QTY						I	R
				(A)	(B)	(C)	(D)	(E)	(F)		
1	1	129470-33000	COOLER ASSY, LUB.OIL	1							
3	2	129470-33550	SEAT, RUBBER	1							
4	1	129474-33000	COOLER, LUB OIL		1	1	1	1			1
5	2	129474-33010	BODY, OIL COOLER		1	1	1	1			
6	2	129474-33030	COVER B		1	1	1	1			
7	2	129474-33040	CORE, LUB OIL COOLER		1	1	1	1			
8	2	129474-33050	COVER A ASSY		1	1	1	1			
10	3	120322-33050	GASKET		1	1	1	1			
11	2	104271-49060	JOINT		2	2	2	2			
12	2	123325-49421	JOINT, PIPE		1	1	1	1			
13	2	24321-000750	O-RING 1A G-75.0		2	2	2	2			
14	2	26106-080252	BOLT M 8X 25 PLATED		4	4	4	4			
15	1	129499-33000	COOLER, LUB OIL		1						2
16	2	129474-33010	BODY, OIL COOLER		1						
17	2	129474-33040	CORE, LUB OIL COOLER		1						
18	2	129474-33050	COVER A ASSY		1						
20	3	120322-33050	GASKET		1						
21	2	129470-44450	COVER (B)		1						
22	2	123325-49421	JOINT, PIPE		1						
23	2	24321-000750	O-RING 1A G-75.0		2						
24	2	26106-080252	BOLT M 8X 25 PLATED		4						
25	1	129474-33500	CLAMP		1	1	1	1			
26	1	129470-33510	RETAINER		1						
27	1	26106-080142	BOLT M 8X 14 PLATED		1	1	1	1			
28	1	26106-080162	BOLT M 8X 16 PLATED		2	2	2	2			
29	1	26106-080252	BOLT M 8X 25 PLATED		1	1	1	1			

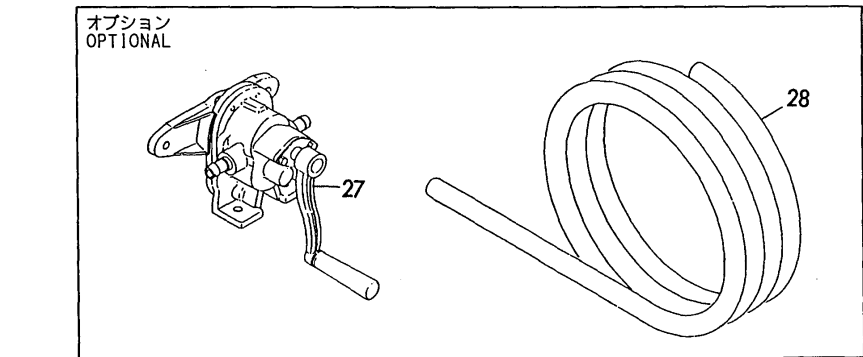
Fig.20.LUB. OIL SYSTEM

(A)=4JH2E (D)=4JH2-DTE  
 (B)=4JH2-TE (E)=4JH2-UTE(B)  
 (C)=4JH2-HTE (F)=

Fig. 20 潤滑油システム  
 LUB. OIL SYSTEM



REF.	LEV.	PARTS NO.	DESCRIPTION	QTY						I	R		
				(A)	(B)	(C)	(D)	(E)	(F)				
1	1	129150-35040	GASKET, OIL STRAINER						1				
1-1	1	129470-35040	GASKET	1	1	1	1	1	1		N		
				(D=E31928)									
2	1	129473-35090	PIPE	1	1	1	1	1	1				
I	2-1	129473-35091	PIPE ASSY, OIL INLET	1	1	1	1	1	1		N		
				(A=E/#10589)		(B=E/#15575)		(C=E/#23963)		(D=E/#36341)		(E=E/#42069)	
6	1	22217-080000	SPRING WASHER 8	1	1	1	1	1	1				
7	1	26106-080142	BOLT M 8X 14 PLATED	1	1	1	1	1	1				
8	1	26106-080352	BOLT M 8X 35 PLATED	2	2	2	2	2	2				
9	1	129470-35100	BRACKET	1	1	1	1	1	1				
9-1	1	129470-35101	BRACKET ASSY, FILTER	1	1	1	1	1	1		S		
				(A=*1991.01)		(B=*1991.01)		(C=*1991.01)		(D=*1991.01)		(E=*1991.01)	
10	2	129470-35130	BRACKET	1	1	1	1	1	1				
10-1	2	129470-35131	BRACKET SET	1	1	1	1	1	1		S		
				(A=*1991.01)		(B=*1991.01)		(C=*1991.01)		(D=*1991.01)		(E=*1991.01)	
12	3	23871-020000	PLUG PT1/4, SCREW	1	1	1	1	1	1				
13	2	129100-35140	STUD	1	1	1	1	1	1				
14	2	121850-35200	SHIM SET	1	1	1	1	1	1				
15	2	124223-35510	RETAINER	1	1	1	1	1	1				
16	2	121850-35520	SPRING, VALVE	1	1	1	1	1	1				
17	2	121850-35531	VALVE	1	1	1	1	1	1				
18	2	23414-180000	GASKET 18, ROUND	1	1	1	1	1	1				
19	1	129470-35120	GASKET						1				
19-1	1	129470-35121	GASKET	1	1	1	1	1	1		N		
				(D=E/#31928)									
20	1	129150-35150	FILTER 90X80L	1	1	1	1	1	1				
21	1	26106-080202	BOLT M 8X 20 PLATED	1	1	1	1	1	1				
22	1	26106-080552	BOLT M 8X 55 PLATED	2	2	2	2	2	2				
23	1	129590-59200	CLAMP		1	1	1	1	1		W		
				(B=E/#XXX)		(C=E/#XXX)		(D=E/#XXX)		(E=E/#XXX)			
24	1	129470-32000	PUMP ASSY, LUB. OIL	1	1	1	1	1	1				
25	1	129150-32020	GASKET, L.O. PUMP	1	1	1	1	1	1				
26	1	26450-060252	BOLT M 6X 25	4	4	4	4	4	4				
27	1	124413-39100	PUMP, OIL SUMP	1	1	1	1	1	1		1		
28	1	43720-001220	PIPE	1	1	1	1	1	1		1		

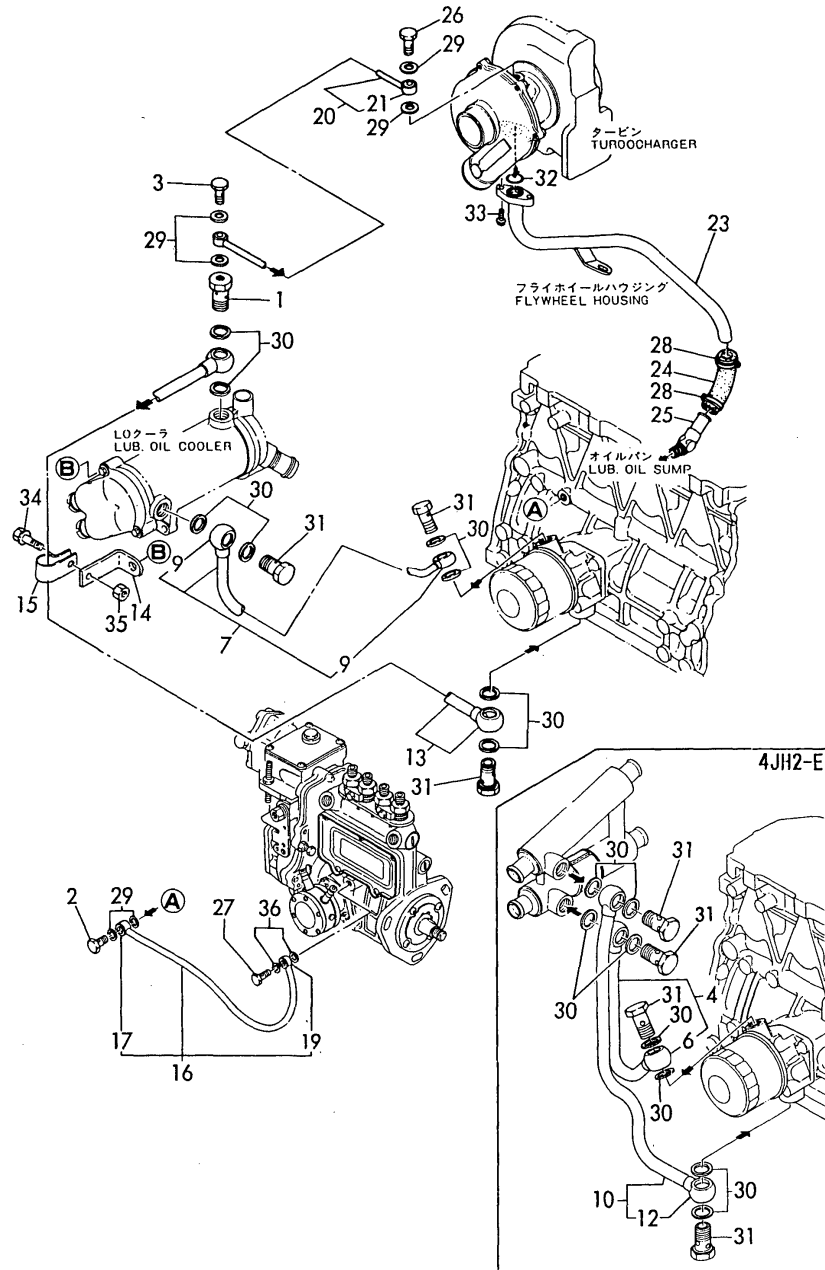


Remarks  
 (1)OPTIONAL

Fig.21.LUB. OIL LINE

(A)=4JH2E (D)=4JH2-DTE  
 (B)=4JH2-TE (E)=4JH2-UTE(B)  
 (C)=4JH2-HTE (F)=

Fig.21 LOパイプ  
LUB. OIL LINE

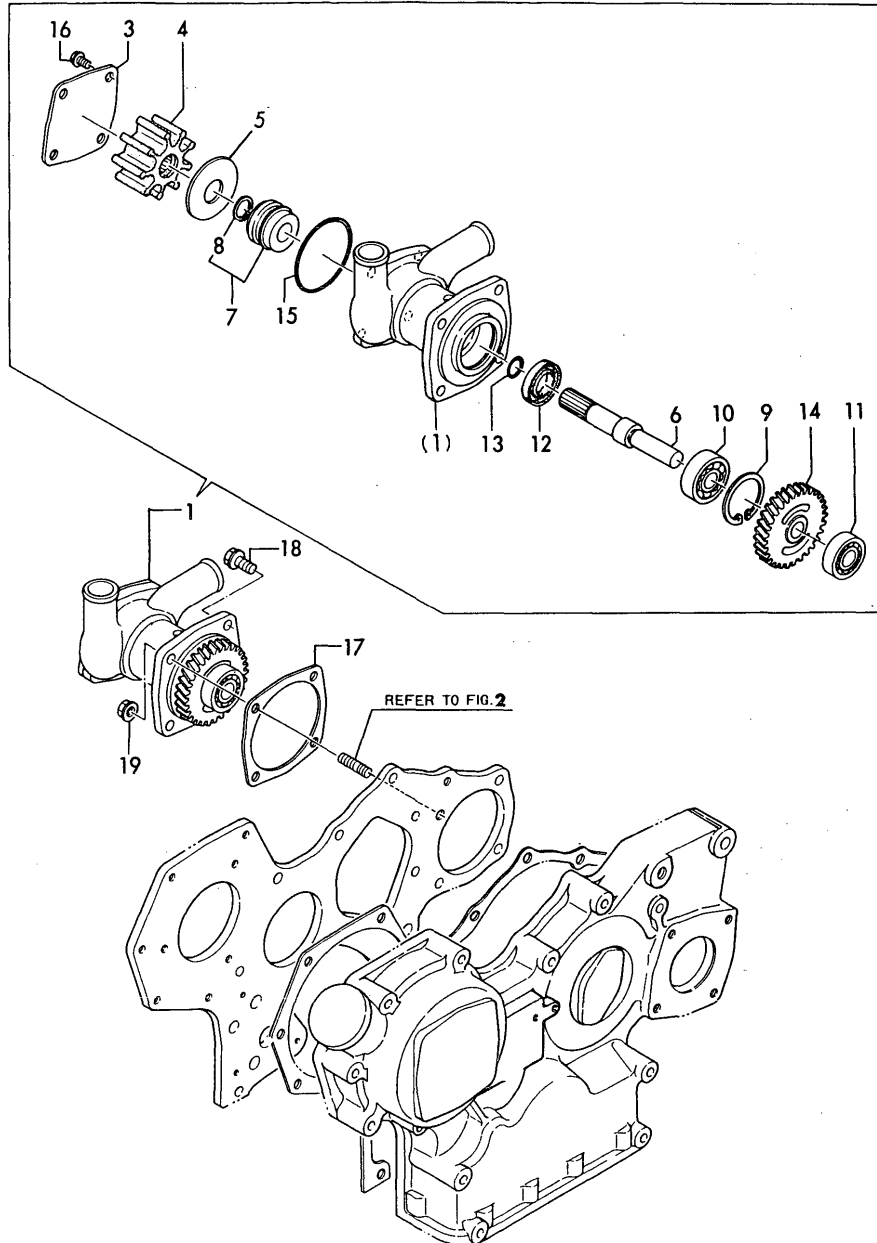


REF.	LEV.	PARTS NO.	DESCRIPTION	QTY						I	R
				(A)	(B)	(C)	(D)	(E)	(F)		
1	1	129472-39020	BOLT M20 X M10		1	1	1	1			
2	1	124160-39140	BOLT 10, PIPE JOINT	1	1	1	1	1			
3	1	121252-39150	BOLT, PIPE JOINT		1	1	1				
4	1	129470-39200	PIPE, LUB OIL		1						
I	4-1	129470-39201	PIPE, LUB OIL		1					S	
(A=*1990.12)											
6	2	23341-150000	PIPE JOINT 15	2							
7	1	129474-39200	PIPE, LUB OIL		1	1	1	1			
I	7-1	129474-39201	PIPE, LUB OIL		1	1	1	1		S	
(B=*1990.12) (C=*1990.12) (D=*1990.12) (E=*1990.12)											
9	2	23341-150000	PIPE JOINT 15		2	2	2	2			
10	1	129470-39300	PIPE, LUB OIL		1						
12	2	23341-150000	PIPE JOINT 15	2							
13	1	129495-39320	PIPE, LUB OIL		1	1	1	1			
14	1	129495-39350	STAY		1	1	1	1			
15	1	129495-39360	CLAMP		1	1	1	1	1		
16	1	129470-39451	PIPE, LUB OIL	1	1	1	1				
17	2	135210-39140	JOINT, PIPE	1	1	1	1				
19	2	120220-59150	JOINT	1	1	1	1				
20	1	129474-39450	PIPE, LUB OIL		1	1	1	1			
21	2	129553-39190	JOINT 10		2	2	2	2			
23	1	129472-39600	PIPE, LUB OIL RETURN		1	1	1	1			
24	1	129792-39610	JOINT, RUBBER		1	1	1	1			
25	1	129472-39620	ELBOW		1	1	1	1			
26	1	124413-39710	BOLT M 10		1	1	1	1	1		
27	1	124550-59820	BOLT 8, PIPE JOINT	1	1	1	1				
28	1	23000-025000	CLAMP 25		2	2	2	2			
29	1	23414-100000	GASKET 10, ROUND	2	6	6	6	4			
30	1	23414-200000	GASKET 20, ROUND	8	8	8	8	8			
31	1	23857-150000	JOINT BOLT 15	4	3	3	3	3			
32	1	24314-000180	O-RING 4C P-18.0		1	1	1	1			
33	1	26106-060162	BOLT M 6X 16 PLATED		2	2	2	2			
34	1	26106-060202	BOLT M 6X 20 PLATED		1	1	1	1			
35	1	26756-060002	LOCK NUT 6		1	1	1	1			
36	1	43400-500410	SEAL WASHER 8S	2	2	2	2				

(A)=4JH2E (D)=4JH2-DTE  
 (B)=4JH2-TE (E)=4JH2-UTE(B)  
 (C)=4JH2-HTE (F)=

Fig.22.COOLING SEA WATER PUMP

Fig. **22** カイスイポンプ  
 COOLING SEA WATER PUMP



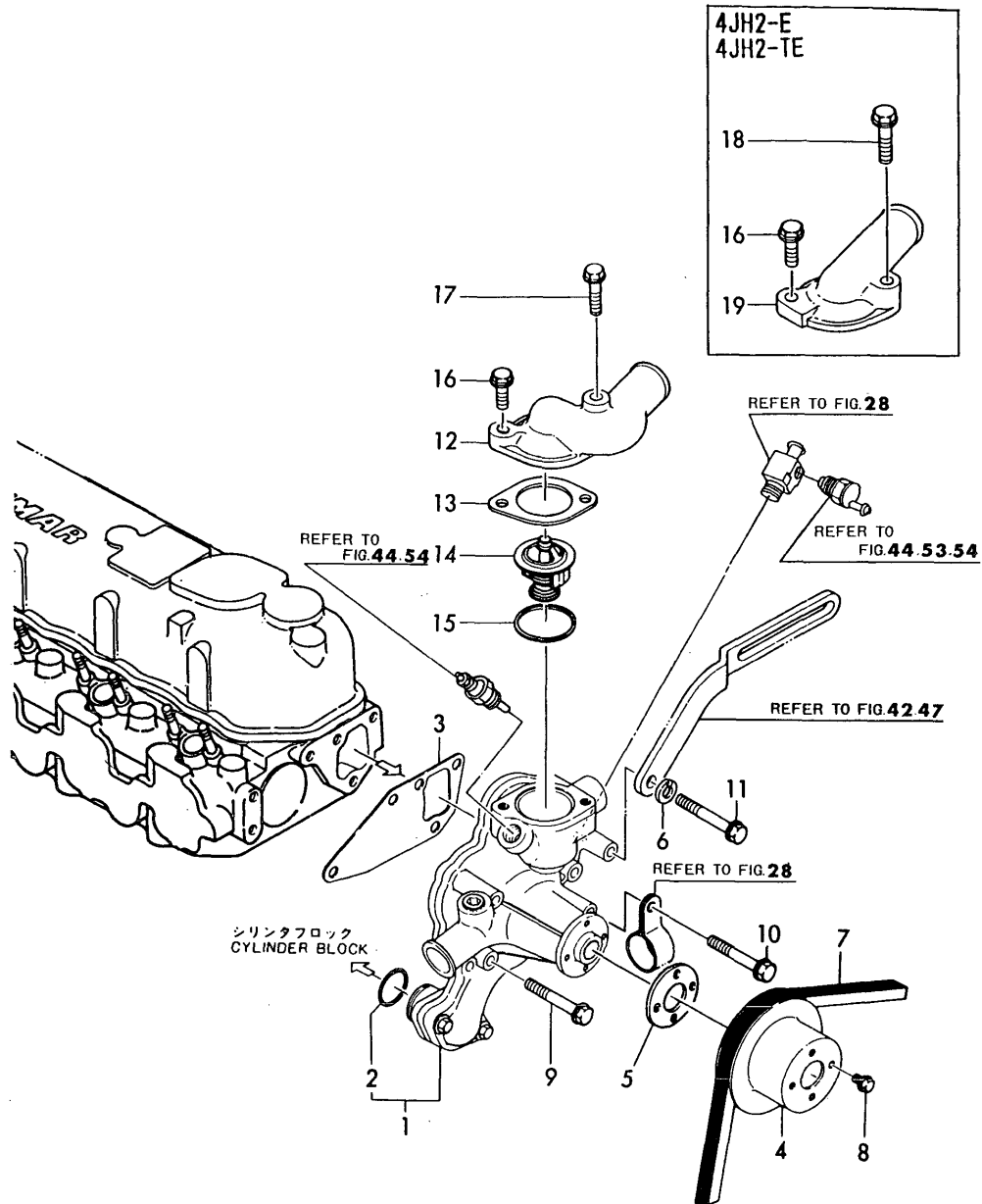
REF.	LEV.	PARTS NO.	DESCRIPTION	QTY						I	R
				(A)	(B)	(C)	(D)	(E)	(F)		
1	1	129573-42500	PUMP ASSY.	1	1	1	1	1			
3	2	129470-42520	COVER	1	1	1	1	1			
4	2	129470-42530	IMPELLER	1	1	1	1	1			
5	2	129573-42540	PLATE	1	1	1	1	1			
6	2	129470-42550	SHAFT	1	1	1	1	1			
7	2	129795-42670	SEAL	1	1	1	1	1			
8	3	145410-46190	CIRCLIP	1	1	1	1	1			
9	2	22252-000420	CIRCLIP 42	1	1	1	1	1			
10	2	24101-063024	BALL BEARING	1	1	1	1	1			
11	2	24101-062024	BALL BEARING	1	1	1	1	1			
12	2	24421-203508	SEAL TC20 35 08, OIL	1	1	1	1	1			
13	2	24311-000150	O-RING 1A P-15.0	1	1	1	1	1			
14	2	129470-42700	GEAR	1	1	1	1	1			
15	2	24341-000600	O-RING 1A S-60.0	1	1	1	1	1			
16	2	26203-060102	BOLT M 6X 10	4	4	4	4	4			
17	1	129150-01880	GASKET, HO-P					1			
17-1	1	129470-01880	GASKET	1	1	1	1	1			N
			(D=E31928)								
I	17-2	129150-01881	GASKET, (NON ASB.)	1	1	1	1	1			R
		(A=*1991.01)	(B=*1991.01)					(E=*1991.01)			
		(C=*1991.01)	(D=*1991.01)								
	18	26106-080162	BOLT M 8X 16 PLATED	3	3	3	3	3			
	19	26366-080002	NUT M 8	1	1	1	1	1			



(A)=4JH2E (D)=4JH2-DTE  
 (B)=4JH2-TE (E)=4JH2-UTE(B)  
 (C)=4JH2-HTE (F)=

Fig.23.COOLING FRESH WATER PUMP

Fig. **23** セイスイポンプ  
 COOLING FRESH WATER PUMP

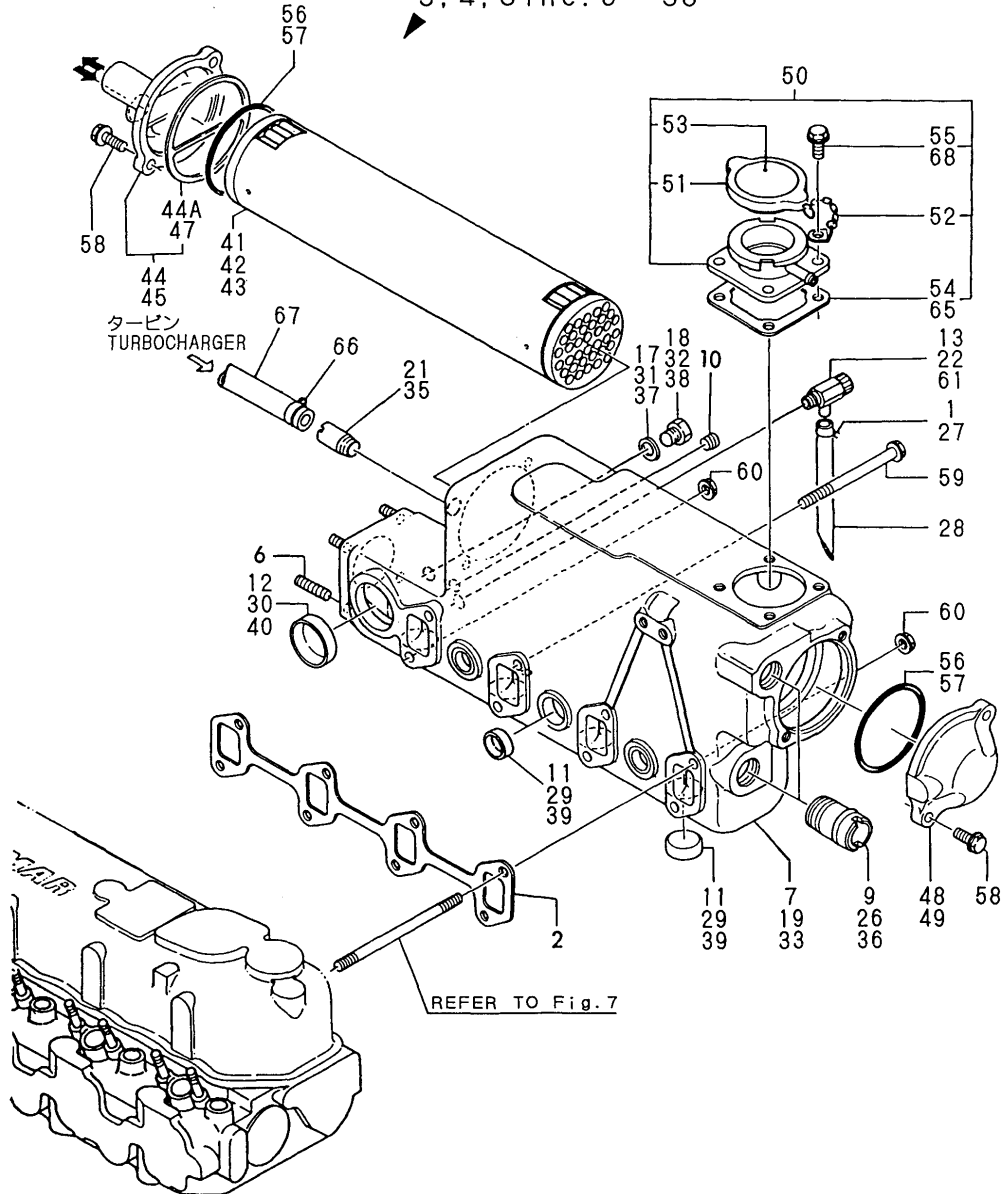


REF.	LEV.	PARTS NO.	DESCRIPTION	QTY						I	R
				(A)	(B)	(C)	(D)	(E)	(F)		
1	1	129470-42000	PUMP ASSY, C. WATER	1	1	1	1	1			
1-1	1	129470-42001	PUMP ASSY, C.F.WATER	1	1	1	1	1			N
		(A=*1991.01) (B=*1991.01) (C=*1991.01) (D=*1991.01) (E=*1991.01)									
2	2	129150-42320	O-RING	1	1	1	1	1			
3	1	129150-42020	GASKET, C.W. PUMP	1	1	1	1	1			
4	1	129550-42350	V-PULLEY(D=120)	1	1	1	1	1			
5	1	129156-44760	WASHER	1	1	1	1	1			
6	1	22217-080000	SPRING WASHER 8	1	1	1	1	1			
7	1	25132-004600	V-BELT	1	1	1	1	1			
8	1	26106-060102	BOLT M 6X 10 PLATED	4	4	4	4	4			
9	1	26106-080552	BOLT M 8X 55 PLATED	2	2	2	2	2			
10	1	26106-080602	BOLT M 8X 60 PLATED	1	1	1	1	1			
11	1	26106-080652	BOLT M 8X 65 PLATED	1	1	1	1	1			
12	1	129573-49540	COVER			1	1	1			
13	1	129795-49550	GASKET, THERMO.COVER					1			
13-1	1	129470-49550	GASKET, (NON-ASB.)	1	1	1	1	1			N
		(D=E31928)									
14	1	129470-49801	THERMOSTAT	1	1	1	1	1			
15	1	129150-49810	GASKET, THERMOSTAT					1			
15-1	1	129470-49810	GASKET, (NON-ASB.)	1	1	1	1	1			N
		(D=E31928)									
16	1	26106-080252	BOLT M 8X 25 PLATED	1	1	1	1	1			
17	1	26106-080502	BOLT M 8X 50 PLATED			1	1	1			
18	1	26106-080352	BOLT M 8X 35 PLATED	1	1						
19	1	129470-49540	COVER, THERMOSTAT	1	1						

Fig.24.COOLING FRESH WATER COOLER

Fig. 24 清水クーラ  
C.F.W. COOLER

見出しNo. 3, 4, 5は、見出しNo. 6から58を含みます。  
3, 4, 5 inc. 6 ~ 58



(A)=4JH2E (D)=4JH2-DTE  
(B)=4JH2-TE (E)=4JH2-UTE(B)  
(C)=4JH2-HTE (F)=

REF.	LEV.	PARTS NO.	DESCRIPTION	QTY						I	R
				(A)	(B)	(C)	(D)	(E)	(F)		
1	1	124000-03300	CLAMP 13	1							
2	1	129550-13110	GASKET, EXH.MANIFOLD	1	1	1	1	1			
3	1	729470-44501	EXCHANGER ASSY, HEAT	1							
3-1	1	129470-44900	COOLER ASSY	1							N
		(A=*1991.01)									
4	1	729473-44501	COOLER ASSY.				1				
4-1	1	129473-44900	EXCHAGER ASSY CFW				1				N
		(B=*1991.01)									
5	1	729573-44501	EXCHANGER ASSY, HEAT					1	1	1	
5-1	1	129573-44900	EXCHAGER ASSY CFW					1	1	1	N
		(C=*1991.01) (D=*1991.01) (E=*1991.01)									
6	2	128170-13600	STUD	4	4	4	4	4			
7	2	129470-44000	COOLER ASSY	1							
9	3	124160-49480	JOINT, PIPE	2							
10	3	23871-030000	PLUG PT3/8,SCREW	1							
11	3	27241-280000	PLUG 28	7							
12	3	27241-400000	PLUG 40	1							
13	3	43600-500310	COCK	1							
17	3	23414-170000	GASKET 17, ROUND	1							W
		(A=E/#09456)									
18	3	23893-030002	PLUG PF3/8	1							W
		(A=E/#09456)									
19	2	129473-44000	COOLER,FRESH WATER	1							
21	3	129474-44480	JOINT	1							
21-1	3	104407-44480	JOINT	1							N
		(B=*1991.01)									
22	3	120130-49350	COCK 1/4	1							
26	3	124160-49480	JOINT, PIPE	2							
27	3	124460-77680	RETAINER	1							
28	3	23061-070300	PIPE 7X 300	1							
29	3	27241-280000	PLUG 28	7							
30	3	27241-400000	PLUG 40	1							
31	3	23414-170000	GASKET 17, ROUND	1							W
		(B=E/#15101)									
32	3	23893-030002	PLUG PF3/8	1							W
		(B=E/#15101)									
33	2	129573-44001	EXCHANGER ASSY, HEAT					1	1	1	
35	3	129474-44480	JOINT					1	1	1	
35-1	3	104407-44480	JOINT					1	1	1	N
		(C=*1991.01) (D=*1991.01) (E=*1991.01)									
36	3	124160-49480	JOINT, PIPE					2	2	2	
37	3	23414-170000	GASKET 17, ROUND					1	1	1	
38	3	23893-030002	PLUG PF3/8					1	1	1	
39	3	27241-280000	PLUG 28					7	7	7	
I 40	3	27241-400000	PLUG 40								
41	2	129470-44110	CORE ASSY, COOLER	1							
42	2	129473-44111	CORE ASSY					1			
43	2	129573-44111	CORE ASSY, COOLER						1	1	1
44	2	129470-44440	COVER (A)	1	1						
I 44A	3	120322-33050	GASKET	1	1						W
		(A=FROM 1ST) (B=FROM 1ST)									
45	2	129573-44440	COVER(A)					1	1	1	
47	3	129573-44470	GASKET					1	1	1	
48	2	129470-44450	COVER (B)	1	1						

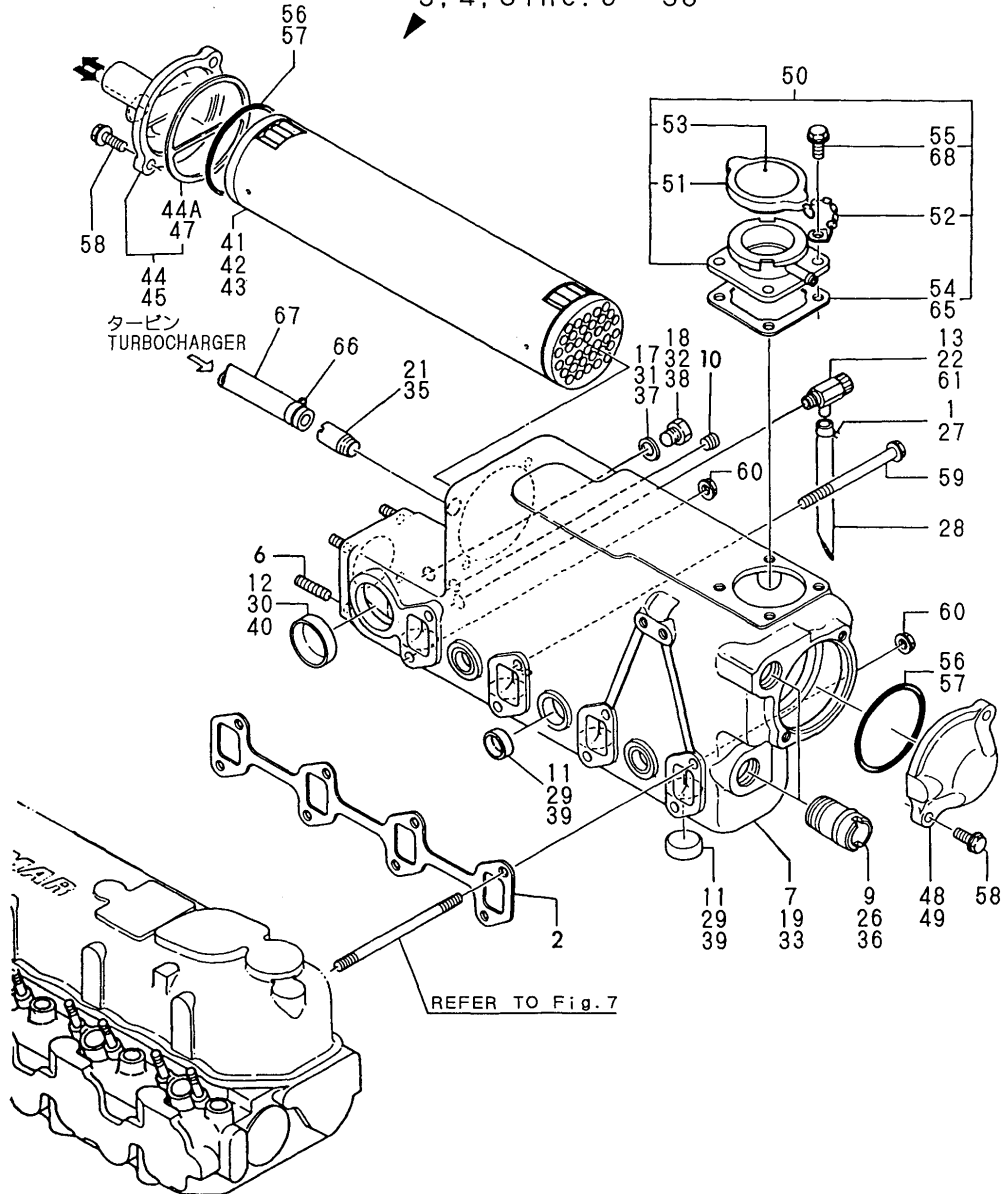
++ CONTINUE ++

Fig.24.COOLING FRESH WATER COOLER

(A)=4JH2E (D)=4JH2-DTE  
 (B)=4JH2-TE (E)=4JH2-UTE(B)  
 (C)=4JH2-HTE (F)=

Fig. 24 清水クーラ  
 C.F.W. COOLER

見出しNo. 3, 4, 5は、見出しNo. 6から58を含みます。  
 3, 4, 5 inc. 6 ~ 58

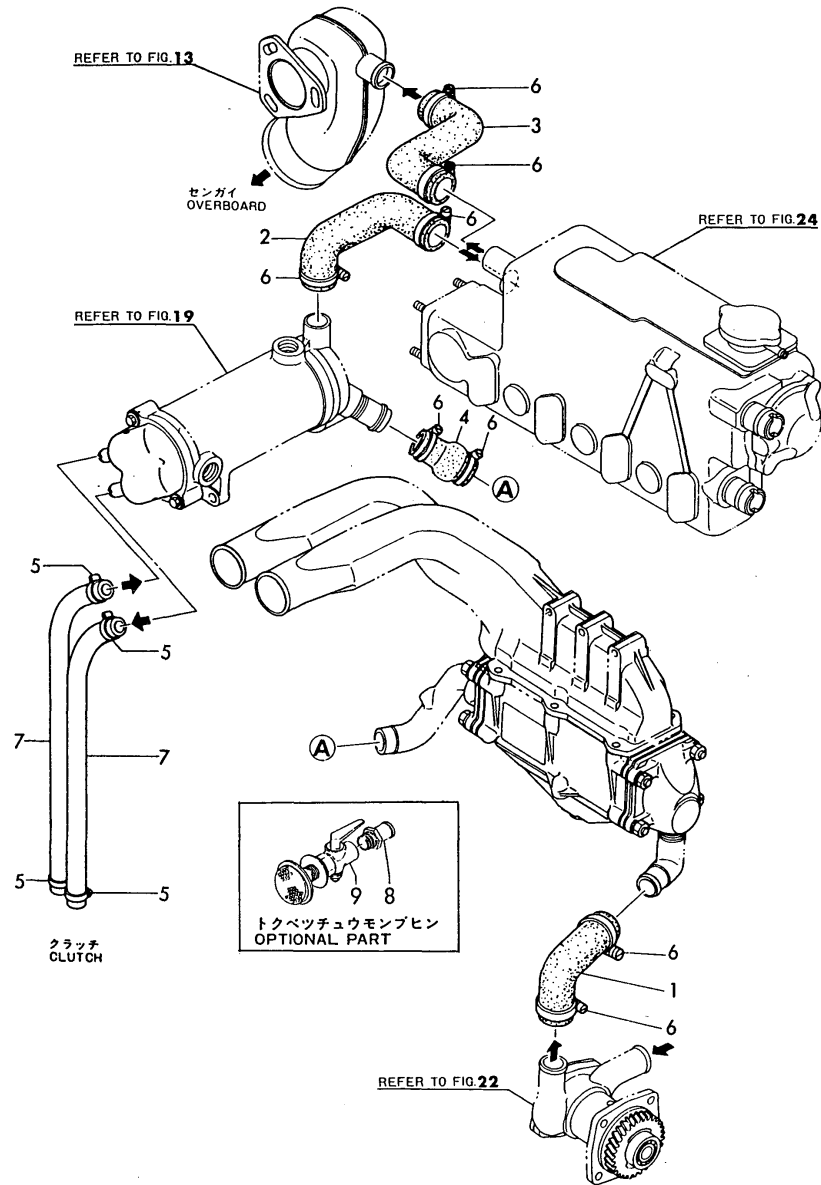


REF.	LEV.	PARTS NO.	DESCRIPTION	QTY						I	R
				(A)	(B)	(C)	(D)	(E)	(F)		
49	2	129573-44450	COVER(B)				1	1	1		
50	2	120445-44600	FILLER	1	1	1	1	1	1		
51	3	123682-44210	CAP	1	1	1	1	1	1		
52	3	123682-44220	CHAIN	1	1	1	1	1	1		
53	3	120445-44620	PLATE	1	1	1	1	1	1		
54	3	120445-44640	GASKET	1	1	1	1	1	1		
55	3	26106-080142	BOLT M 8X 14 PLATED	4	4	4	4	4	4		
56	2	24321-000750	O-RING 1A G-75.0	2	2						
57	2	24321-000800	O-RING 1A G-80.0			2	2	2			
58	2	26106-080252	BOLT M 8X 25 PLATED	4	4	4	4	4	4		
59	1	26106-081002	BOLT M 8X100 PLATED	6	6	6	6	6	6		
60	1	26366-080002	NUT M 8	2	2	2	2	2	2		
61	1	43600-500310	COCK		1	1	1	1	1		
65	1	120445-44640	GASKET	1	1	1	1	1	1		
66	1	23010-017000	CLAMP 17		1	1	1	1	1		
67	1	23061-120300	PIPE 12X 300	1	1	1	1	1	1		
68	1	26106-080162	BOLT M 8X 16 PLATED	4	4	4	4	4	4		

(A)=4JH2E (D)=4JH2-DTE  
 (B)=4JH2-TE (E)=4JH2-UTE(B)  
 (C)=4JH2-HTE (F)=

Fig.25.C.S.W.PIPE(4JH2-HTE,DTE,UTE)

Fig. **25** CSWパイプ(4JH2-HTE, DTE, UTE)  
 COOLING SEA WATER LINE



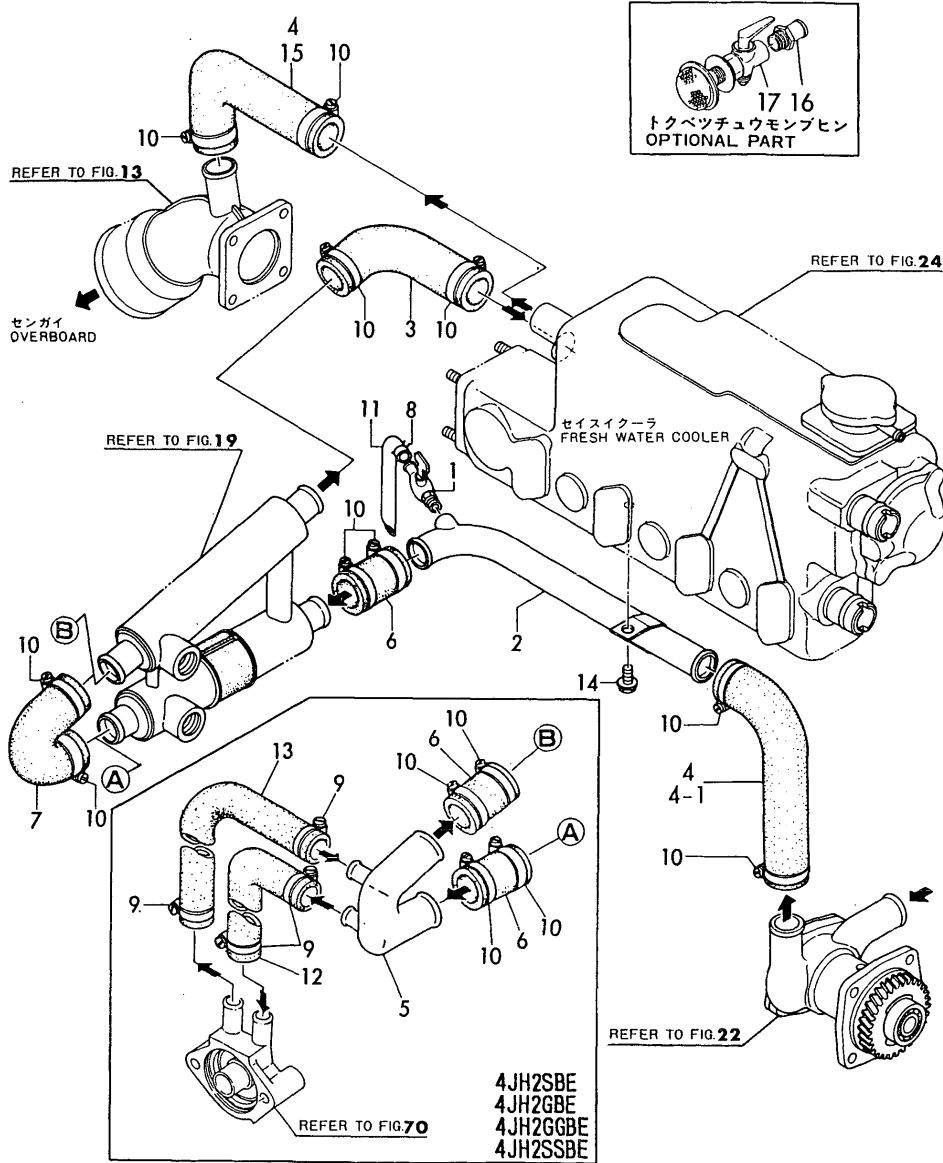
REF.	LEV.	PARTS NO.	DESCRIPTION	QTY						I	R	
				(A)	(B)	(C)	(D)	(E)	(F)			
1	1	129474-49010	PIPE			1	1	1				
2	1	129474-49030	PIPE			1	1	1				
3	1	129472-49040	PIPE, C. SEA WATER			1	1	1				
4	1	129474-49110	JOINT			1	1	1				
5	1	23000-022000	CLAMP 22			4	4	4				
6	1	23000-035000	CLAMP 35			8	8	8				
7	1	23072-040300	HOSE (13/20X300)			2	2	2				
8	1	43530-500570	JOINT			1	1	1				1
9	1	43662-025030	COCK ASSY, SEA WATER			1	1	1				1

Remarks  
 1)OPTIONAL PART

(A)=4JH2E (D)=4JH2-DTE  
 (B)=4JH2-TE (E)=4JH2-UTE(B)  
 (C)=4JH2-HTE (F)=

Fig.26.C.S.W.PIPE(4JH2E)

Fig. **26** CSWパイプ (4JH2-E)  
 COOLING SEA WATER LINE



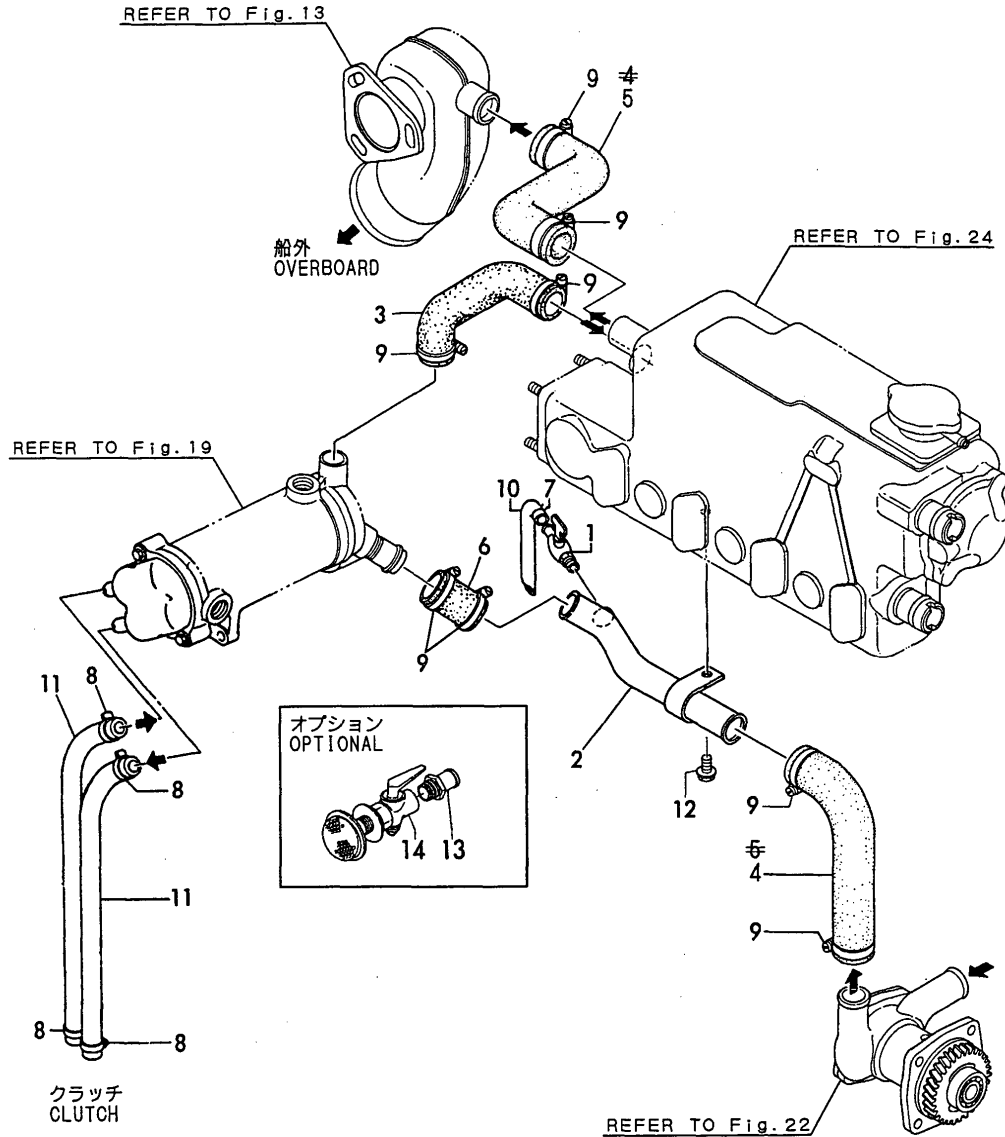
REF.	LEV.	PARTS NO.	DESCRIPTION	QTY						I	R
				(A)	(B)	(C)	(D)	(E)	(F)		
1	1	128695-44090	COCK PT1/8	1							
2	1	129470-49010	PIPE, C. SEA WATER	1							
3	1	129470-49030	PIPE, C. SEA WATER	1							
4	1	129470-49040	PIPE (D), C. WATER	2							
I	4-1	129470-49040	PIPE (D), C. WATER	1							K
(A=*1989.11)											
5	1	129470-49060	PIPE	1							
6	1	129470-49110	JOINT 25X55	3							
7	1	129470-49240	JOINT 28	1							
8	1	124722-59050	CLAMP 9	1							
9	1	23000-022000	CLAMP 22	4							
10	1	23000-035000	CLAMP 35	12							
11	1	23061-070300	PIPE 7X 300	1							
12	1	23072-040300	HOSE (13/20X300)	1							
13	1	23072-040350	HOSE 4X350	1							
14	1	26106-080162	BOLT M 8X 16 PLATED	1							
I	15	129475-49040	PIPE	1							W
(A=*1989.11)											
16	1	43530-500570	JOINT	1							1
17	1	43662-025030	COCK ASSY, SEA WATER	1							1

Remarks  
 1)OPTIONAL PART

(A)=4JH2E (D)=4JH2-DTE  
 (B)=4JH2-TE (E)=4JH2-UTE(B)  
 (C)=4JH2-HTE (F)=

Fig.27.C.S.W.PIPE(4JH2-TE)

Fig.27 冷却水パイプ (海水, 4JH2-TE)  
 COOLING SEA WATER PIPE (4JH2-TE)



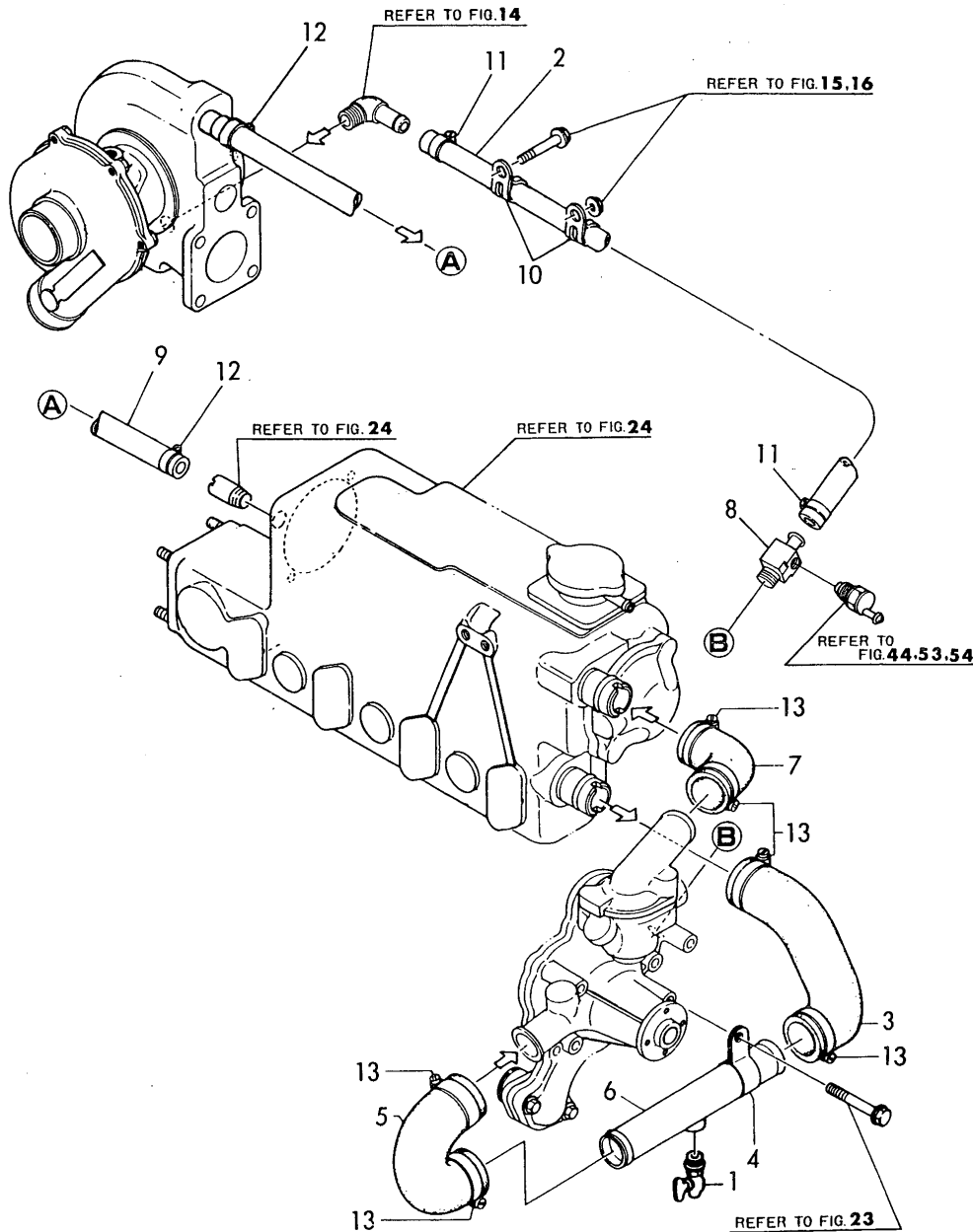
REF.	LEV.	PARTS NO.	DESCRIPTION	QTY						I	R	
				(A)	(B)	(C)	(D)	(E)	(F)			
1	1	128695-44090	COCK PT1/8		1							
2	1	129495-49010	PIPE A		1							
3	1	129474-49030	PIPE		1							
4	1	129470-49040	PIPE (D), C. WATER		1							
5	1	129472-49040	PIPE, C. SEA WATER		1							
6	1	129474-49110	JOINT		1							
7	1	124460-77680	RETAINER		1							
8	1	23000-022000	CLAMP 22		4							
9	1	23000-035000	CLAMP 35		8							
10	1	23061-070300	PIPE 7X 300		1							
11	1	23072-040300	HOSE (13/20X300)		2							
12	1	26106-080162	BOLT M 8X 16 PLATED		1							
13	1	43530-500570	JOINT		1							1
14	1	43662-025030	COCK ASSY, SEA WATER		1							1

Remarks  
 1)OPTIONAL PART

Fig.28.COOLING FRESH WATER PIPE

(A)=4JH2E (D)=4JH2-DTE  
 (B)=4JH2-TE (E)=4JH2-UTE(B)  
 (C)=4JH2-HTE (F)=

Fig. **28** CFWパイプ  
 COOLING FRESH WATER LINE

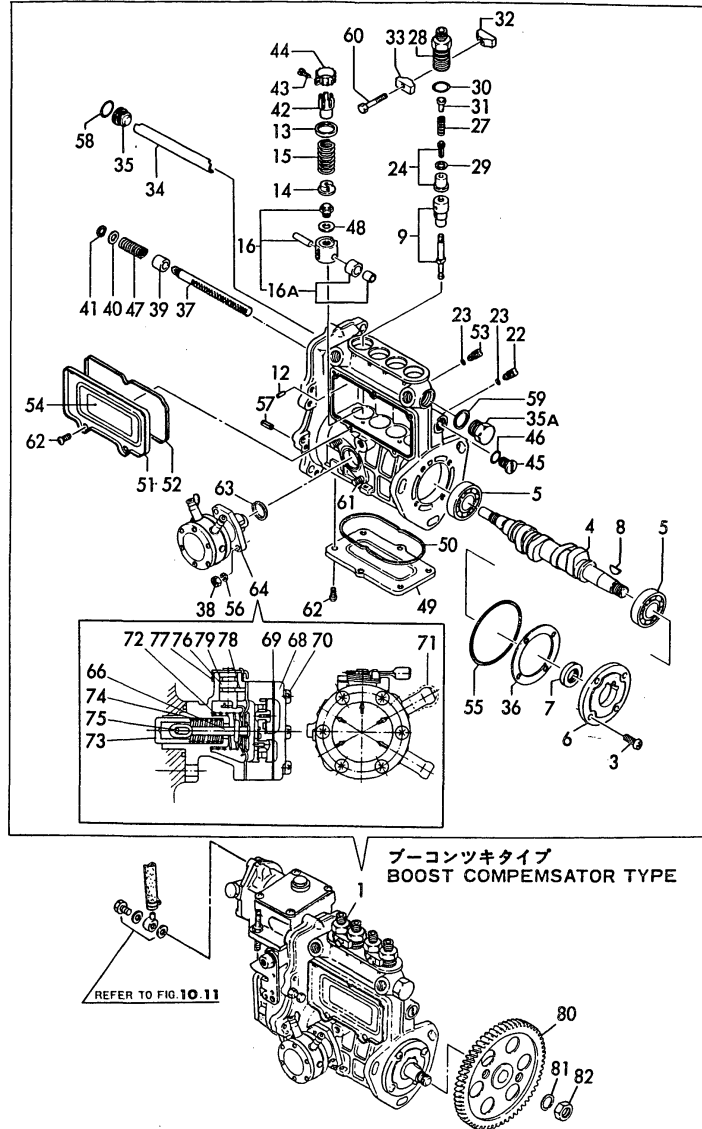


REF.	LEV.	PARTS NO.	DESCRIPTION	QTY						I	R
				(A)	(B)	(C)	(D)	(E)	(F)		
1	1	128695-44090	COCK PT1/8	1	1	1	1	1			
2	1	127420-44560	PIPE		1	1	1	1			
3	1	129470-49200	JOINT	1	1	1	1	1			
4	1	129470-49220	RETAINER	1	1	1	1	1			
5	1	129470-49240	JOINT 28	1	1	1	1	1			
6	1	129470-49250	PIPE, C. FRESH WATER	1	1	1	1	1			
7	1	129470-49260	JOINT	1	1	1	1	1			
8	1	129473-49310	JOINT		1	1	1	1			
9	1	129474-49320	PIPE B		1	1	1	1			
10	1	194440-51620	CLAMP, WIRE HARNESS		2	2	2	2			
11	1	23000-013000	CLAMP 13		2	2	2	2			
12	1	23000-025000	CLAMP 25		2	2	2	2			
13	1	23000-041000	CLAMP 41	6	6	6	6	6			

(A)=4JH2E (D)=4JH2-DTE  
 (B)=4JH2-TE (E)=4JH2-UTE(B)  
 (C)=4JH2-HTE (F)=

Fig.29.F.I.PUMP(4JH2-TE,HTE,DTE)

Fig. **29** FOフンシャポンプ (4JH2-TE, HTE, DTE)  
 FUEL INJECTION PUMP



Remarks  
 (1)GOVERNOR ASSY (FIG37) IS INCORPORATED IN THESE FUEL INJECTION PUMP ASSY (REF.NO.1A,1B,1C)

REF.	LEV.	PARTS NO.	DESCRIPTION	QTY						I	R
				(A)	(B)	(C)	(D)	(E)	(F)		
1A	1	729571-51300	FUEL INJECTION PUMP		1						1
1B	1	729572-51300	FUEL INJECTION PUMP			1					1
1C	1	729573-51300	FUEL INJECTION PUMP						1		1
3	2	26022-060162	SCREW M 6X 16		4	4	4				
4	2	129506-51040	CAMSHAFT		1	1	1				
5	2	122710-51050	BEARING, ROLLER		2	2	2				
6	2	129470-51060	RETAINER		1	1	1				
7	2	129470-51080	SEAL, OIL		1	1	1				
8	2	122710-51090	KEY		1	1	1				
9	2	129470-51101	PLUNGER W/BARREL		4	4	4				
12	2	129155-51140	PIN, BARREL LOCKING		4	4	4				
13	2	174307-51170	RETAINER A		4	4	4				
14	2	129155-51180	SPRING SHOE, PLUNGER		4	4	4				
15	2	124950-51190	SPRING, PLUNGER		4	4	4				
16	2	129155-51200	TAPPET ASSY		4	4	4				
16A	3	711100-51540	ROLLER ASSY		4	4	4				
22	2	129155-51270	LOCKING, TAPPET		4	4	4				
23	2	129155-51280	O-RING S6		5	5	5				
24	2	129573-51300	VALVE W/SEAT, DELIV.		4	4	4				
27	2	129573-51330	SPRING, DELY. VALVE		4	4	4				
28	2	129573-51340	GUARD, DELY. VALVE		4	4	4				
29	2	124550-51350	GASKET, DELIVERY		4	4	4				
30	2	124550-51370	O-RING, DELIVERY		4	4	4				
31	2	129573-51370	STOPPER, VALVE		4	4	4				
32	2	129155-51380	LOCKING (A)		2	2	2				
33	2	129155-51390	LOCKING (B)		2	2	2				
34	2	129555-51400	DEFLECTER		1	1	1				
35	2	129155-51410	CHECK BOLT,DEFLECTOR		1	1	1				
35A	2	129155-51420	PLUG (M16)		1	1	1				
36	2	129155-51450	SHIM SET, ADJUSTING		1	1	1				
37	2	129555-51500	RACK, CONTROL		1	1	1				
38	2	26716-060002	NUT 6		2	2	2				
39	2	129155-51521	BUSH, RACK		1	1	1				
40	2	129155-51530	SPACER, AUX. SPRING		1	1	1				
41	2	129155-51540	CIRCLIP		1	1	1				
42	2	129155-51550	PINION, CONTROL		4	4	4				
43	2	122117-51560	SCREW, PINION		4	4	4				
44	2	174307-51560	PINION		4	4	4				
45	2	129155-51570	PLUG (M12)		1	1	1				
46	2	129155-51580	O-RING		1	1	1				
47	2	129155-51591	SPRING, RACK		1	1	1				
48	2	129155-51600	SHIM PACK		4	4	4				
49	2	129555-51700	COVER		1	1	1				
50	2	129555-51710	GASKET		1	1	1				
51	2	129555-51750	COVER, SIDE		1	1	1				
52	2	129555-51760	GASKET		1	1	1				
53	2	129155-51790	LOCKING, RACK		1	1	1				
54	2	129156-51910	LABEL, CAUTION		1	1	1				
55	2	121850-51960	O-RING, F.I.PUMP		1	1	1				
56	2	22217-060000	SPRING WASHER 6		2	2	2				
57	2	22351-050010	SPRING PIN 5X10		2	2	2				
58	2	24341-000160	O-RING 1A S-16.0		1	1	1				
59	2	43400-500490	SEAL WASHER 16S		1	1	1				
60	2	26116-050302	BOLT M 5X 30 PLATED		2	2	2				

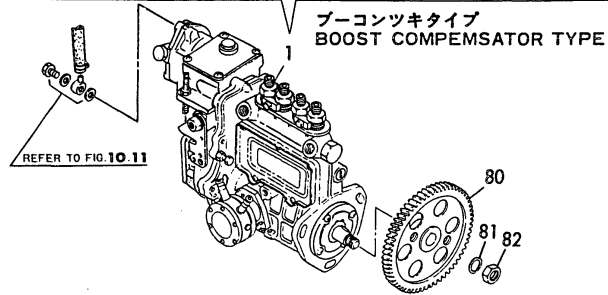
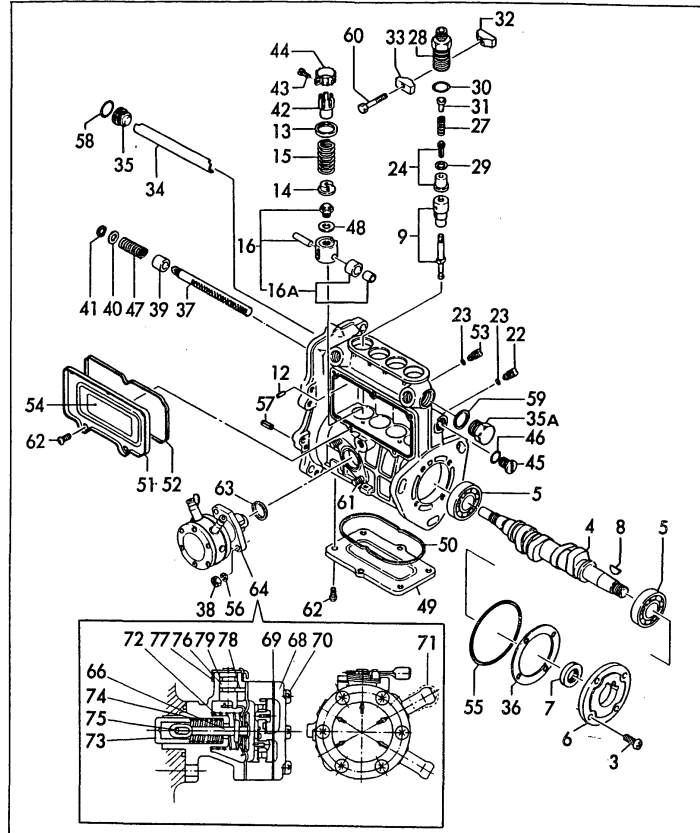
++ CONTINUE ++



(A)=4JH2E (D)=4JH2-DTE  
 (B)=4JH2-TE (E)=4JH2-UTE(B)  
 (C)=4JH2-HTE (F)=

Fig.29.F.I.PUMP(4JH2-TE,HTE,DTE)

Fig. **29** FOフンシャポンプ (4JH2-TE, HTE, DTE)  
 FUEL INJECTION PUMP



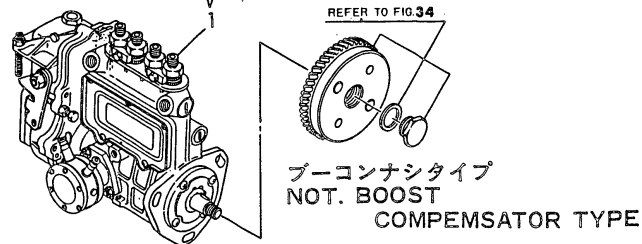
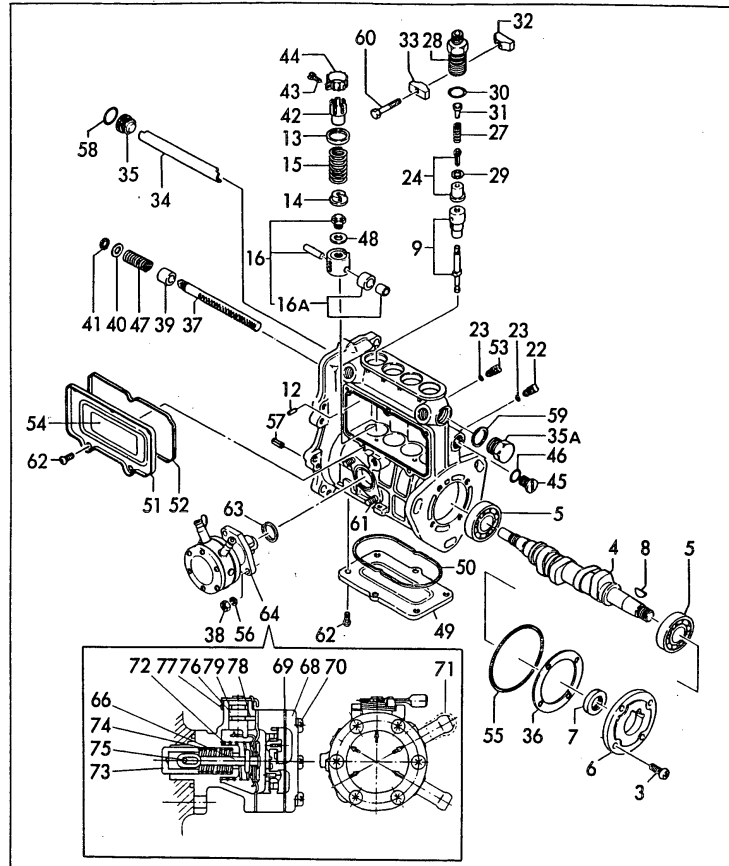
REF.	LEV.	PARTS NO.	DESCRIPTION	QTY						I	R		
				(A)	(B)	(C)	(D)	(E)	(F)				
61	2	129155-51020	STUD, FEED PUMP		2	2	2						
62	2	26022-050102	SCREW M 5X 10		11	11	11						
63	2	129155-52050	GASKET		1	1	1						
64	2	129158-52100	FEED PUMP ASSY		1	1	1						
66	3	129158-52020	DIAPHRAGM		1	1	1						
68	3	129158-52060	COVER		1	1	1						
69	3	129158-52070	GASKET		1	1	1						
70	3	129158-52080	SCREW, CROSS		6	6	6						
71	3	129158-52090	CAP		2	2	2						
72	3	129158-52160	SPRING		1	1	1						
73	3	129158-52250	TAPPET		1	1	1						
74	3	129158-52260	SPRING		1	1	1						
75	3	129158-52270	PIN, TAPPET		1	1	1						
76	3	129158-52350	LEVER, PRIMING		1	1	1						
77	3	129158-52360	SPRING, RETURN		1	1	1						
78	3	129158-52370	PIN, PRIMING LEVER		1	1	1						
79	3	129158-52380	O-RING,PRIMING LEVER		1	1	1						
80	1	129150-25900	GEAR, FUEL INJ. PUMP									1	
80-1	1	129573-25900	GEAR		1	1	1					N	
I	80-2	1	129573-25900	GEAR (D=E31796)								1	Z
I	81	1	22217-120000	SPRING WASHER (D=E35370)		1	1	1					Z
I	81-1	1	22217-120000	SPRING WASHER (D=E35370)								1	Z
I	82	1	26716-120002	NUT 12 (D=E35370)		1	1	1					Z
I	82-1	1	26716-120002	NUT 12 (D=E35370)								1	Z

Remarks  
 (1)GOVERNOR ASSY (FIG37) IS INCORPORATED IN THESE FUEL INJECTION PUMP ASSY (REF.NO.1A,1B,1C)

(A)=4JH2E (D)=4JH2-DTE  
 (B)=4JH2-TE (E)=4JH2-UTE(B)  
 (C)=4JH2-HTE (F)=

Fig.30.FUEL INJECTION PUMP(4JH2E)

Fig. **30** FOファンシャポンプ(4JH2-E)  
 FUEL INJECTION PUMP



Remarks  
 1)GOVERNOR ASSY (FIG38) IS.  
 INCORPORATED IN THIS FUEL INJECTION  
 PUMP ASSY(REF NO1)

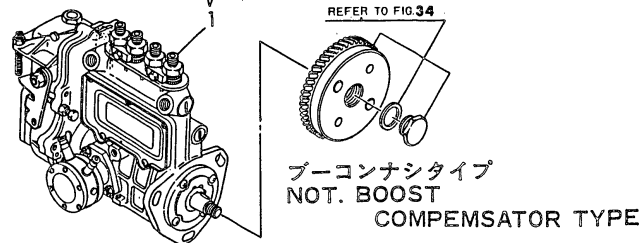
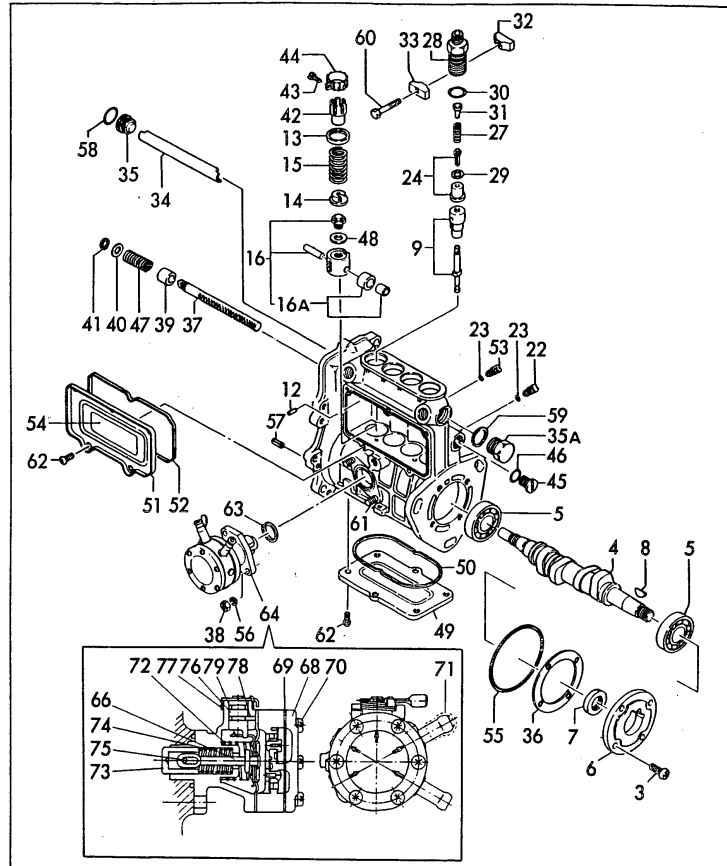
REF.	LEV.	PARTS NO.	DESCRIPTION	QTY						I R
				(A)	(B)	(C)	(D)	(E)	(F)	
1	1	729570-51350	PUMP W/GOV.& F.PUMP	1						1
3	2	26022-060162	SCREW M 6X 16	4						
4	2	129506-51040	CAMSHAFT	1						
5	2	122710-51050	BEARING, ROLLER	2						
6	2	129470-51060	RETAINER	1						
7	2	129470-51080	SEAL, OIL	1						
8	2	122710-51090	KEY	1						
9	2	129470-51101	PLUNGER W/BARREL	4						
12	2	129155-51140	PIN, BARREL LOCKING	4						
13	2	174307-51170	RETAINER A	4						
14	2	129155-51180	SPRING SHOE, PLUNGER	4						
15	2	124950-51190	SPRING, PLUNGER	4						
16	2	129155-51200	TAPPET ASSY	4						
16A	3	711100-51540	ROLLER ASSY	4						
22	2	129155-51270	LOCKING, TAPPET	4						
23	2	129155-51280	O-RING S6	5						
24	2	129573-51300	VALVE W/SEAT, DELIV.	4						
27	2	129573-51330	SPRING, DELY. VALVE	4						
28	2	129573-51340	GUARD, DELY. VALVE	4						
29	2	124550-51350	GASKET, DELIVERY	4						
30	2	124550-51370	O-RING, DELIVERY	4						
31	2	129573-51370	STOPPER, VALVE	4						
32	2	129155-51380	LOCKING (A)	2						
33	2	129155-51390	LOCKING (B)	2						
34	2	129555-51400	DEFLECTER	1						
35	2	129155-51410	CHECK BOLT,DEFLECTOR	1						
35A	2	129155-51420	PLUG (M16)	1						
36	2	129155-51450	SHIM SET, ADJUSTING	1						
37	2	129555-51500	RACK, CONTROL	1						
38	2	26716-060002	NUT 6	2						
39	2	129155-51521	BUSH, RACK	1						
40	2	129155-51530	SPACER, AUX. SPRING	1						
41	2	129155-51540	CIRCLIP	1						
42	2	129155-51550	PINION, CONTROL	4						
43	2	122117-51560	SCREW, PINION	4						
44	2	174307-51560	PINION	4						
45	2	129155-51570	PLUG (M12)	1						
46	2	129155-51580	O-RING	1						
47	2	129155-51591	SPRING, RACK	1						
48	2	129155-51600	SHIM PACK	4						
49	2	129555-51700	COVER	1						
50	2	129555-51710	GASKET	1						
51	2	129555-51750	COVER, SIDE	1						
52	2	129555-51760	GASKET	1						
53	2	129155-51790	LOCKING, RACK	1						
54	2	129156-51910	LABEL, CAUTION	1						
55	2	121850-51960	O-RING, F.I.PUMP	1						
56	2	22217-060000	SPRING WASHER 6	2						
57	2	22351-050010	SPRING PIN 5X10	2						
58	2	24341-000160	O-RING 1A S-16.0	1						
59	2	43400-500490	SEAL WASHER 16S	1						
60	2	26116-050302	BOLT M 5X 30 PLATED	2						
61	2	129155-51020	STUD, FEED PUMP	2						
62	2	26022-050102	SCREW M 5X 10	11						

++ CONTINUE ++

(A)=4JH2E (D)=4JH2-DTE  
 (B)=4JH2-TE (E)=4JH2-UTE(B)  
 (C)=4JH2-HTE (F)=

Fig.30.FUEL INJECTION PUMP(4JH2E)

Fig. **30** FOファンシャポンプ(4JH2-E)  
 FUEL INJECTION PUMP



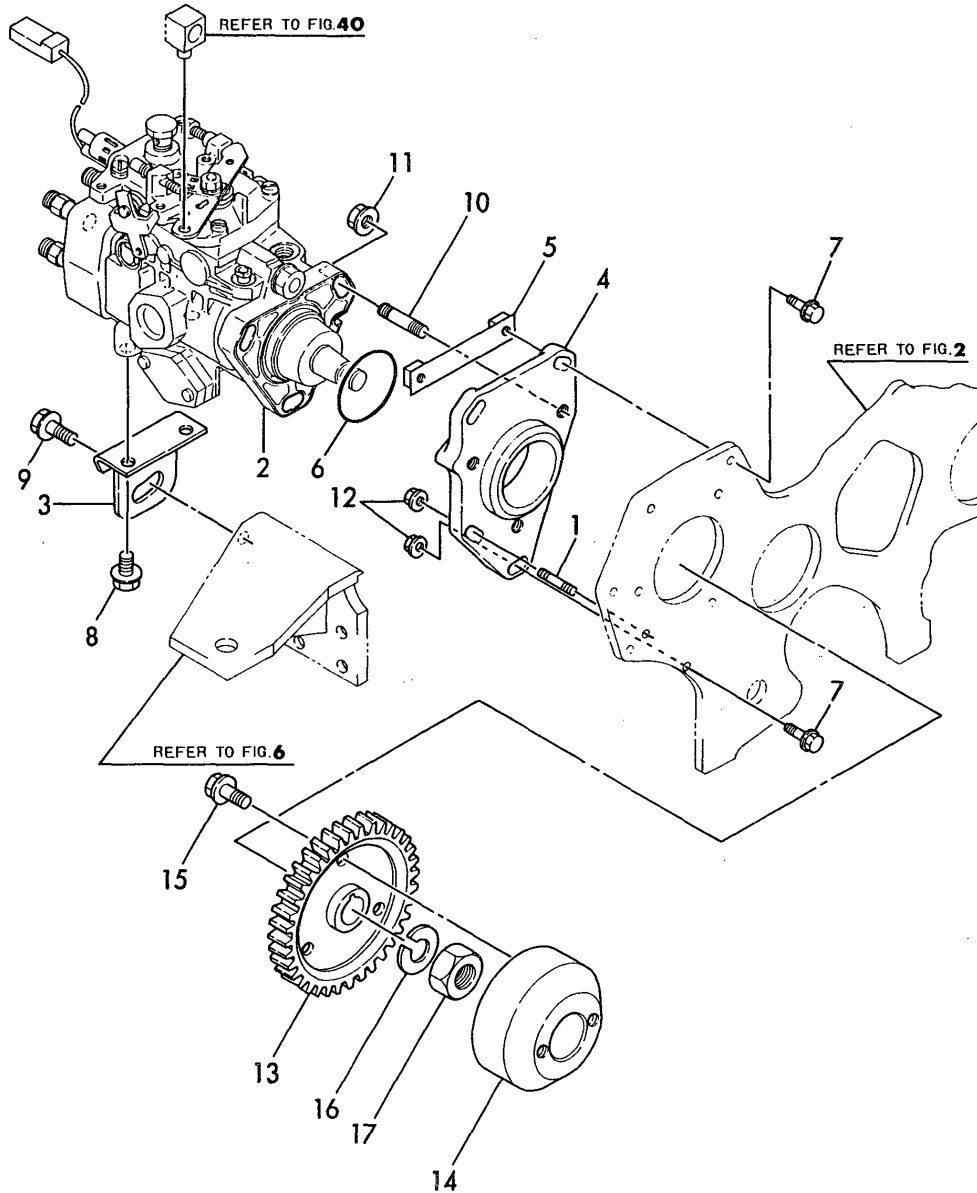
REF.	LEV.	PARTS NO.	DESCRIPTION	QTY						I	R
				(A)	(B)	(C)	(D)	(E)	(F)		
63	2	129155-52050	GASKET	1							
64	2	129158-52100	FEED PUMP ASSY	1							
66	3	129158-52020	DIAPHRAGM	1							
68	3	129158-52060	COVER	1							
69	3	129158-52070	GASKET	1							
70	3	129158-52080	SCREW, CROSS	6							
71	3	129158-52090	CAP	2							
72	3	129158-52160	SPRING	1							
73	3	129158-52250	TAPPET	1							
74	3	129158-52260	SPRING	1							
75	3	129158-52270	PIN, TAPPET	1							
76	3	129158-52350	LEVER, PRIMING	1							
77	3	129158-52360	SPRING, RETURN	1							
78	3	129158-52370	PIN, PRIMING LEVER	1							
79	3	129158-52380	O-RING, PRIMING LEVER	1							

Remarks  
 1)GOVERNOR ASSY (FIG38) IS.  
 INCORPORATED IN THIS FUEL INJECTION  
 PUMP ASSY(REF NO1)

(A)=4JH2E (D)=4JH2-DTE  
 (B)=4JH2-TE (E)=4JH2-UTE(B)  
 (C)=4JH2-HTE (F)=

Fig.31.FUEL INJECTION PUMP(4JH2-UTE)

Fig. **31** FOフンシャポンプ(4JH2-UTE)  
 FUEL INJECTION PUMP

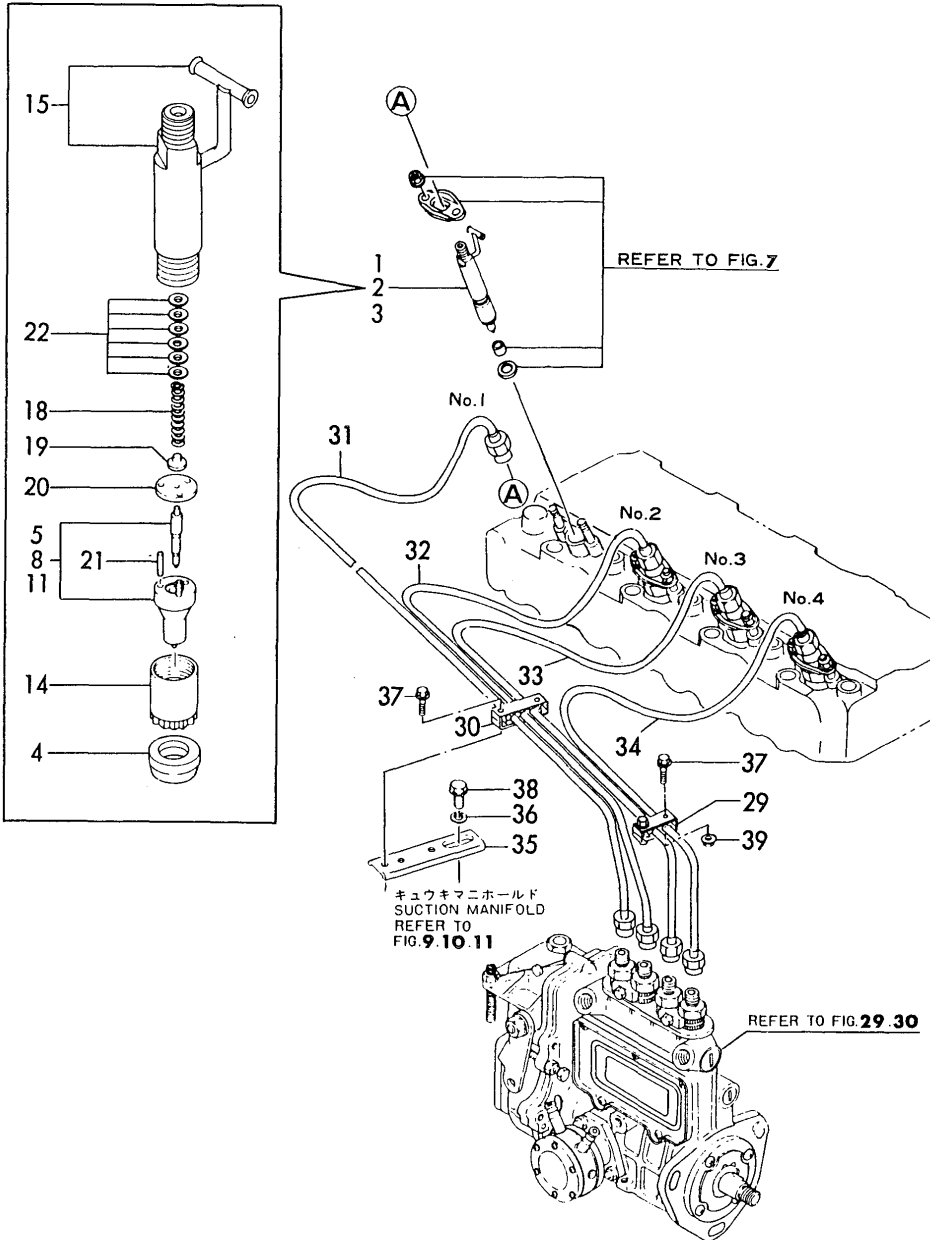


REF.	LEV.	PARTS NO.	DESCRIPTION	QTY						I	R
				(A)	(B)	(C)	(D)	(E)	(F)		
1	1	121450-01560	STUD M 8X 22							1	
2	1	129574-51070	FI-P(VE							1	
I	2-1	1	129574-51900	FUEL INJECTION PUMP						1	N
				(E=*1991.05)							
I	2-2	1	129574-51901	FUEL INJECTION PUMP						1	S
				(E=E41481)							
3	1	129574-51250	RETAINER							1	
4	1	129574-54030	BRACKET							1	
I	4-1	1	129574-54031	BRACKET						1	N
				(E=E41490)							
5	1	129574-54090	NUT							1	
6	1	24341-000500	O-RING 1A S-50.0							1	
7	1	26106-080652	BOLT M 8X 65 PLATED							3	
8	1	26106-100162	BOLT M10X 16 PLATED							2	
9	1	26106-100252	BOLT M10X 25 PLATED							1	
10	1	26216-080282	STUD M 8X 28 PLATED							3	
11	1	26366-080002	NUT M 8							3	
12	1	26366-080002	NUT M 8							2	
13	1	129574-25900	GEAR, F.I. PUMP							1	
14	1	129574-25920	WEIGHT, DUMMY							1	
15	1	26106-080182	BOLT M 8X 18 PLATED							3	
16	1	22217-140000	SPRING WASHER 14							1	
17	1	26776-140002	LOCK NUT M14 PLATED							1	

(A)=4JH2E (D)=4JH2-DTE  
 (B)=4JH2-TE (E)=4JH2-UTE(B)  
 (C)=4JH2-HTE (F)=

Fig.32.F.I.PIPE(4JH2-E,TE,HTE,DTE)

Fig. **32** FOファンシャパイプ(4JH2-E, TE, HTE, DTE)  
 FUEL INJECTION LINE



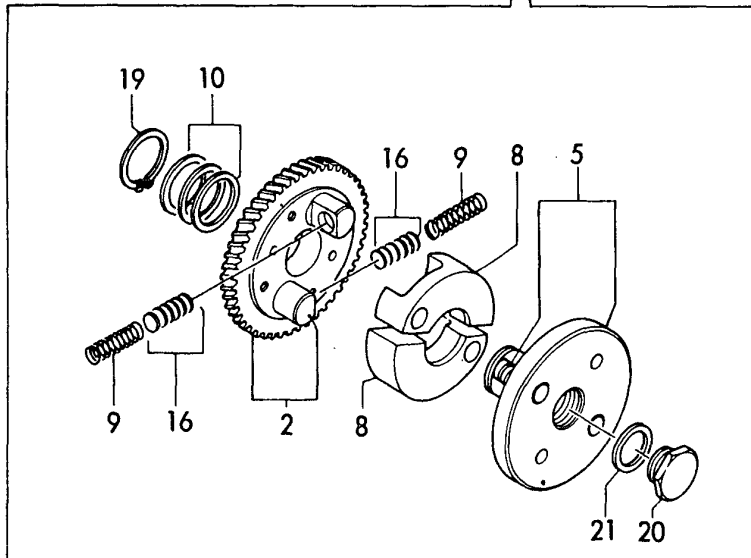
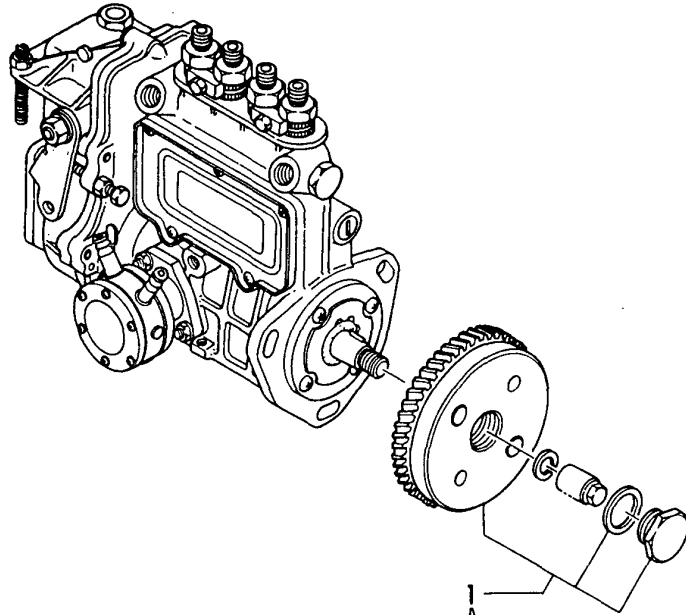
REF.	LEV.	PARTS NO.	DESCRIPTION	QTY						I	R
				(A)	(B)	(C)	(D)	(E)	(F)		
1	1	729570-53100	VALVE ASSY. F.INJECT	4							
I 1-1	1	729570-53200	VALVE ASSY, F.INJECT	4							S
(A=E09282)											
2	1	729573-53100	FUEL INJECTION VALVE				4				
2-1	1	729573-53050	FUEL INJECTION VALVE				4				N
(D=E31928)											
3	1	729595-53100	VALVE ASSY. F.INJECT			4	4				
4	2	129470-11920	GASKET	4	4	4	4				
5	2	129570-53000	NOZZLE ASSY.F.INJECT	4							
I 5-1	2	129506-53000	NOZZLE ASSY,F.INJECT	4							S
(A=E09282)											
8	2	129573-53000	NOZZLE ASSY,F.INJECT						4		
8-1	2	129573-53500	NOZZLE ASSY,F.INJECT						4		N
(D=E31928)											
11	2	129595-53000	NOZZLE ASSY.F.INJECT			4	4				
14	2	114250-53080	NUT, NOZZLE CASE	4	4	4	4				
15	2	129100-53100	HOLDER ASSY, NOZZLE	4	4	4	4				
18	2	114250-53120	SPRING, NOZZLE	4	4	4	4				
19	2	114250-53130	SEAT, NOZZLE SPRING	4	4	4	4				
20	2	114250-53140	PLATE, STOP	4	4	4	4				
21	2	114250-53210	PIN	8	8	8	8				
22	2	114250-53400	SHIM PACK	4	4	4	4				
29	1	122780-59100	RETAINER	2	2	2	2				
30	1	123372-59100	CLAMP	2	2	2	2				
31	1	129499-59811	PIPE, FUEL INJECTION				1	1			
31A	1	129470-59811	PIPE, FUEL INJECTION	1	1						
32	1	129499-59821	PIPE, FUEL INJECTION				1	1			
32A	1	129470-59821	PIPE, FUEL INJECTION	1	1						
33	1	129499-59831	PIPE, FUEL INJECTION				1	1			
33A	1	129470-59831	PIPE, FUEL INJECTION	1	1						
34	1	129499-59841	PIPE, FUEL INJECTION				1	1			
34A	1	129470-59841	PIPE, FUEL INJECTION	1	1						
35	1	121870-59930	STAY	1	1	1	1				
36	1	22217-080000	SPRING WASHER 8	1	1	1	1				
37	1	26106-060202	BOLT M 6X 20 PLATED	4	4	4	4				
38	1	26106-080202	BOLT M 8X 20 PLATED	1	1	1	1				
39	1	26366-060002	NUT M 6	2	2	2	2				



(A)=4JH2E (D)=4JH2-DTE  
 (B)=4JH2-TE (E)=4JH2-UTE(B)  
 (C)=4JH2-HTE (F)=

Fig.34.TIMER(4JH2-E,DTE)

Fig. **34** タイマ (4JH2-E)  
 TIMER

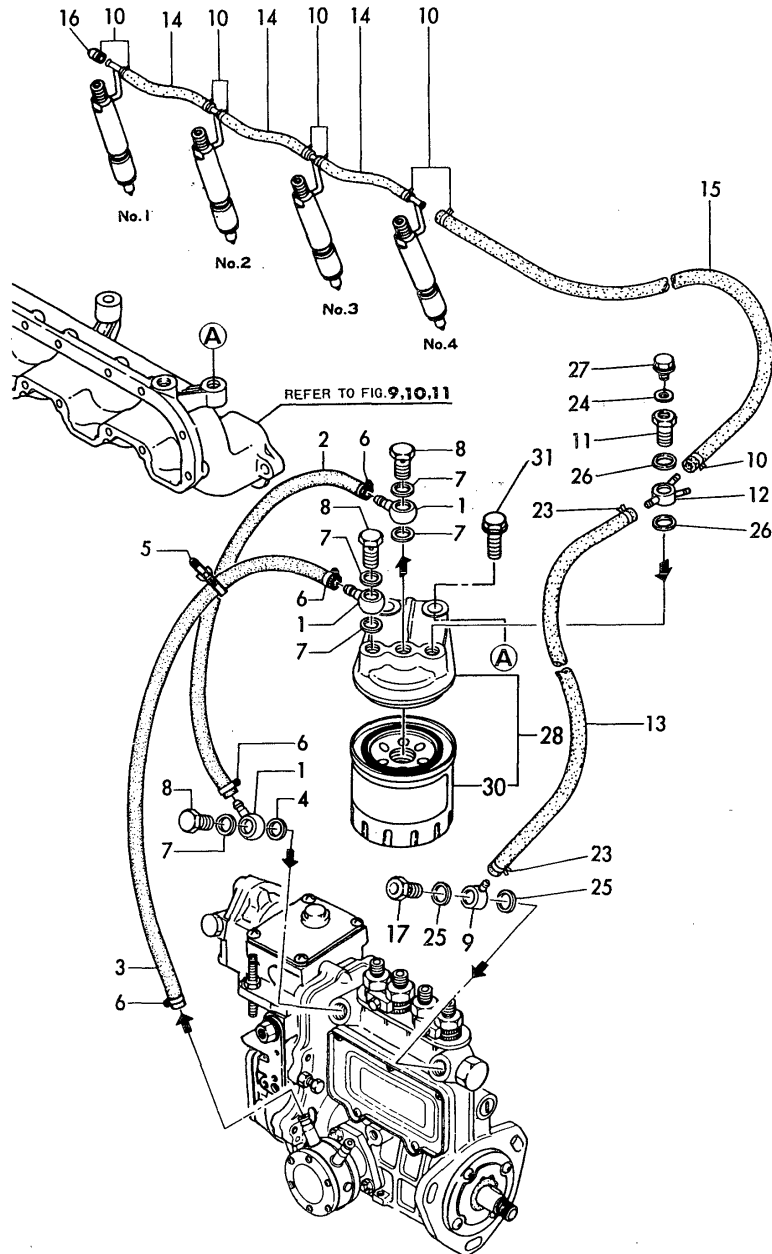


REF.	LEV.	PARTS NO.	DESCRIPTION	QTY						I	R	
				(A)	(B)	(C)	(D)	(E)	(F)			
I	1	729499-54100	TIMER ASSY. (D=E35370)	1			1				W	
	2	129470-54510	GEAR ASSY, TIMER	1			1					
	5	129499-54550	HUB W/PIN	1			1					
	8	129470-54650	WEIGHT, TIMER	2			2					
	9	124310-54800	SPRING	2			2					
	10	119620-54900	SHIM SET	1			1					
	16	121850-54900	SHIM SET	2			2					
	19	22242-000320	CIRCLIP 32	1			1					
	20	124410-54940	PLUG	1			1					
	21	23414-240031	GASKET 24	1			1					

(A)=4JH2E (D)=4JH2-DTE  
 (B)=4JH2-TE (E)=4JH2-UTE(B)  
 (C)=4JH2-HTE (F)=

Fig.35.FUEL PIPE(4JH2-E,TE,HTE,DTE)

Fig. 35 FOパイプ(4JH2-E, TE, HTE, DTE)  
 FUEL LINE



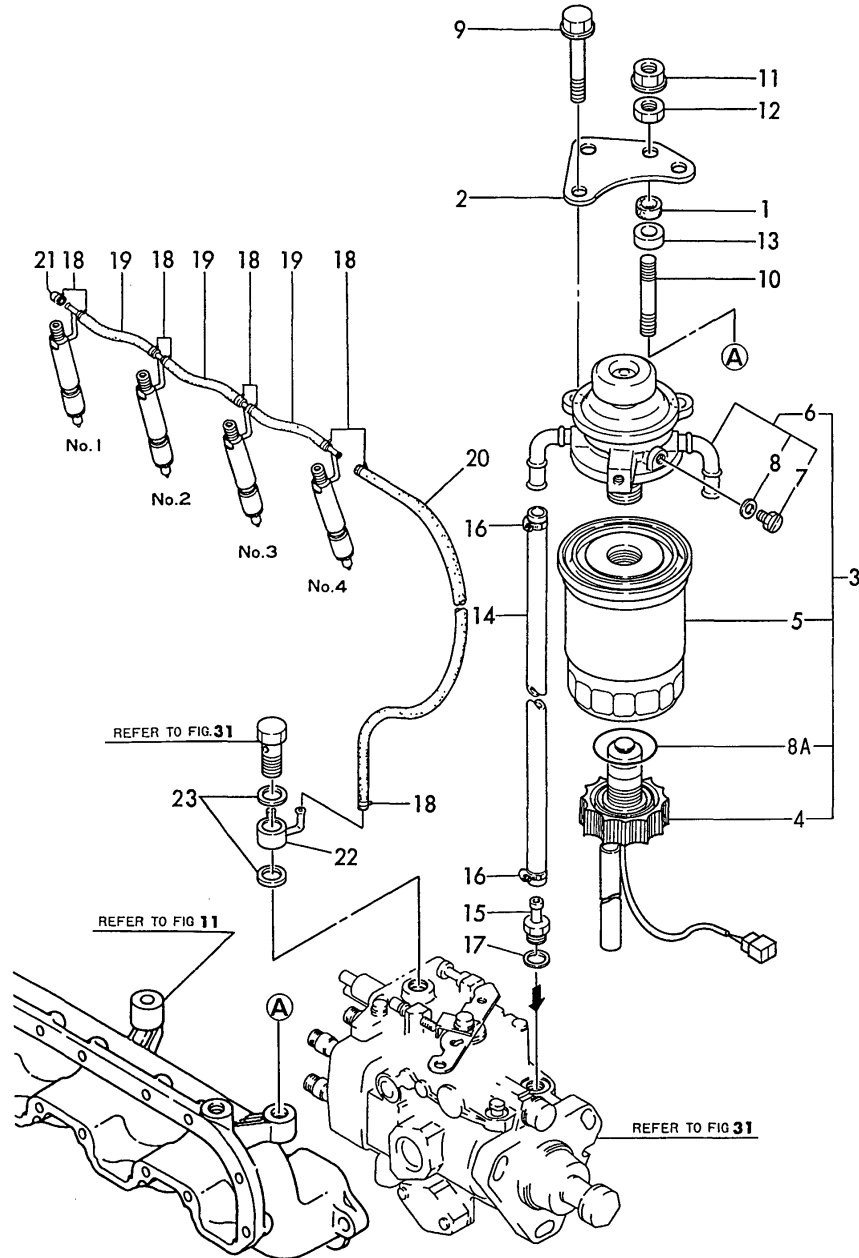
REF.	LEV.	PARTS NO.	DESCRIPTION	QTY						I	R	
				(A)	(B)	(C)	(D)	(E)	(F)			
1	1	101304-59020	JOINT 12, PIPE									
I	2	129470-59120	PIPE, FUEL	3	3	3	3					
I	3	129470-59120	PIPE, FUEL									
4	1	104200-59170	GASKET 12	1	1	1	1					
5	1	121750-59890	CLAMP 140	1	1	1	1					
6	1	23080-013000	CLAMP 13,HOSE	4	4	4	4					
7	1	23414-120000	GASKET 12, ROUND	5	5	5	5					
8	1	23857-060000	JOINT BOLT 6	3	3	3	3					
9	1	101304-59020	JOINT 12, PIPE	1	1	1	1					
10	1	124066-59100	CLAMP 8	9	9	9	9					
11	1	129495-59300	BOLT, PIPE JOINT	1	1	1	1					
12	1	129470-59530	JOINT,FUEL RETN.PIPE	1	1	1	1					
I	13	129470-59540	PIPE, FUEL OIL									
I	14	119000-59550	PIPE, FUEL RETURN									
I	15	129470-59560	PIPE, FUEL RETURN									
16	1	129150-59580	CAP	1	1	1	1					
17	1	129100-59951	VALVE ASSY, CHECK	1	1	1	1					
I	23	23080-013000	CLAMP 13,HOSE									
24	1	23414-080000	GASKET 8, ROUND	1	1	1	1					
25	1	23414-120000	GASKET 12, ROUND	2	2	2	2					
26	1	23414-140000	GASKET 14, ROUND	2	2	2	2					
27	1	26106-080102	BOLT M 8X 10 PLATED	1	1	1	1					
28	1	129470-55601	STRAINER ASSY, FUEL	1	1	1	1					
30	2	129470-55700	STRAINER	1	1	1	1					
I	30-1	129470-55701	STRAINER ASSY, FUEL	1	1	1	1					N
		(A=*1991.01) (B=*1991.01) (C=*1991.01) (D=*1991.01)										
31	1	26106-100302	BOLT M10X 30 PLATED	2	2	2	2					



(A)=4JH2E (D)=4JH2-DTE  
 (B)=4JH2-TE (E)=4JH2-UTE(B)  
 (C)=4JH2-HTE (F)=

Fig.36.FUEL PIPE(4JH2-UTE)

Fig. **36** F.Oパイプ (4JH2-UTE)  
 FUEL LINE (4JH2-UTE)

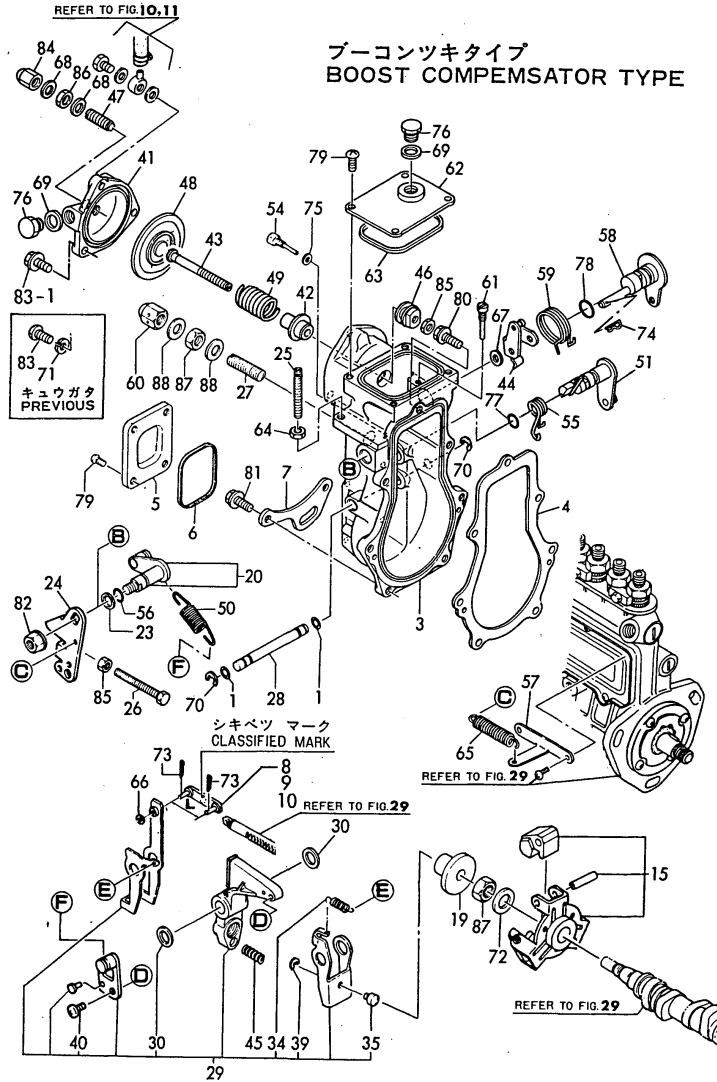


REF.	LEV.	PARTS NO.	DESCRIPTION	QTY						I	R	
				(A)	(B)	(C)	(D)	(E)	(F)			
1	1	105300-44451	CUSHION, RUBBER							2		
2	1	129574-55651	BRACKET, F.O.FILTER							1		
3	1	129574-55800	STRAINER ASSY, FUEL							1		
4	2	129574-55730	SENSOR							1		
5	2	129574-55710	STRAINER							1		
6	2	129574-55700	BODY ASSY, VALVE							1		
7	3	121857-55750	PLUG							1		
8	3	121857-55760	WASHER							1		
I	8A	2	129574-55780	O-RING						1		W
				(E=FROM 1ST)								
9	1	26106-080552	BOLT M 8X 55 PLATED							2		
10	1	26216-100552	STUD M10X 55 PLATED							2		
11	1	26366-100002	NUT M10							2		
12	1	26716-100002	NUT 10							2		
13	1	45511-501250	SPACER							2		
14	1	129470-59540	PIPE, FUEL OIL							1		
15	1	119171-59910	JOINT, PIPE							1		
16	1	23080-013000	CLAMP 13,HOSE							2		
17	1	23414-120000	GASKET 12, ROUND							1		
18	1	124066-59100	CLAMP 8							9		
19	1	119000-59550	PIPE, FUEL RETURN							3		
20	1	129100-59560	PIPE, FUEL RETURN							1		
21	1	129150-59580	CAP							1		
22	1	129574-59990	JOINT							1		
23	1	23414-120000	GASKET 12, ROUND							2		

(A)=4JH2E (D)=4JH2-DTE  
 (B)=4JH2-TE (E)=4JH2-UTE(B)  
 (C)=4JH2-HTE (F)=

Fig.37.GOVERNOR(4JH2-TE,HTE,DTE)

Fig. 37 ガバナ(4JH2, TE, HTE, DTE)  
 GOVERNOR



Remarks  
 BOOST COMPEMSATOR TYPE.  
 1) SELECTIVE PART; CERTAIN THE CLASSIFICATION MARK WHEN PLACE YOUR ORDER. (REFER TO THE ILLUSTRATION)  
 2) INTERCHANGEABLE BY SIMULTANEOUS REPLACEMENT WITH REF.51-1, & 77-1.

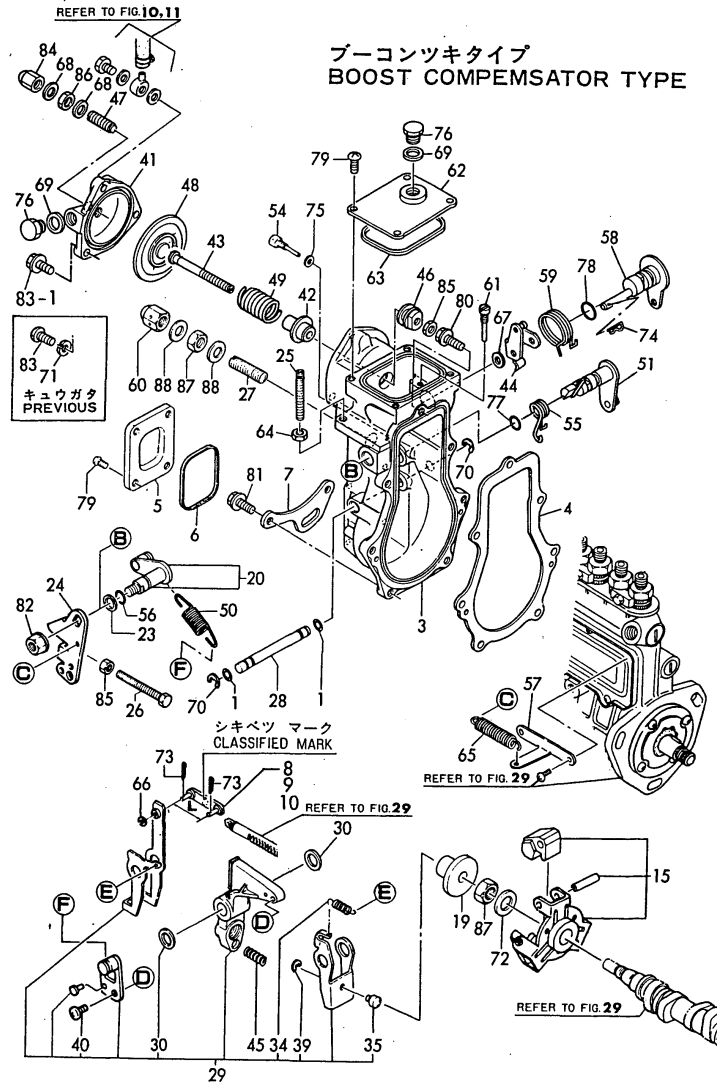
REF.	LEV.	PARTS NO.	DESCRIPTION	QTY						I	R
				(A)	(B)	(C)	(D)	(E)	(F)		
1	1	129155-51280	O-RING S6		2	2	2				
3	1	129595-61011	HOUSING,GOVERNOR				1				
3-1	1	129595-61012	HOUSING,GOVERNOR		1	1	1				F 2
				(D=E31796)							
4	1	129595-61050	GASKET		1	1	1				
5	1	129155-61060	COVER, GOVERNOR CASE		1	1	1				
6	1	129155-61070	GASKET, CASE COVER		1	1	1				
7	1	129595-61080	SUPPORT		1	1	1				
8	1	129155-61120	LINK L=30(MARK 0)		1	1	1				1
9	1	129155-61130	LINK L=31(MARK 1)		1	1	1				1
10	1	129155-61140	LINK L=30.5(MARK 05)		1	1	1				1
15	1	129595-61200	WEIGHT ASSY, GOV.		1	1	1				
19	1	129155-61341	SLEEVE		1	1	1				
20	1	129100-61400	SHAFT ASSY, CONTROL		1	1	1				
23	1	129155-61430	SPACER, SHAFT		1	1	1				
24	1	129499-61440	THROTTLE LEVER		1	1	1				
25	1	129155-61450	BOLT, REVOL. LIMIT		1	1	1				
26	1	129155-61460	BOLT, IDLE LIMIT		1	1	1				
27	1	129155-61470	BOLT, FUEL CONTROL		1	1	1				
28	1	129155-61490	SHAFT, GOV. LEVER		1	1	1				
29	1	129595-61500	LEVER,ASSY		1	1	1				
30	2	174307-51700	SHIM SET		2	2	2				
34	2	119843-61540	SPRING		1	1	1				
35	2	129155-61540	SHIFTER		1	1	1				
39	2	22272-000040	CIRCLIP E- 4		1	1	1				
40	2	26022-060122	SCREW M 6X 12		1	1	1				
41	1	129595-61600	CASE		1	1	1				
42	1	129595-61610	BUSH		1	1	1				
43	1	129595-61620	ROD		1	1	1				
44	1	129595-61631	LEVER		1	1	1				
45	1	129499-61650	SPRING, FUEL CONTROL		1	1	1				
46	1	129595-61660	RING		1	1	1				
47	1	129595-61670	BOLT		1	1	1				
48	1	129595-61680	DIAPHRAGM		1	1	1				
49	1	129595-61691	SPRING		1	1	1				
50	1	129100-61730	SPRING		1	1	1				
50-1	1	129573-61700	SPRING, GOVERNOR				1				N
				(D=E32327)							
51	1	129595-61801	LEVER,STOP				1				
51-1	1	129595-61802	LEVER, STOP		1	1	1				S
				(D=E31796)							
54	1	129155-61810	PIN, STOP LEVER		1	1	1				
55	1	129595-61820	SPRING				1				
55-1	1	129595-61821	SPRING		1	1	1				S
				(D=E31796)							
56	1	129155-61830	O-RING S10		1	1	1				
57	1	129499-61890	RETAINER		1	1	1				
58	1	129595-61901	LEVER		1	1	1				
59	1	129595-61911	SPRING		1	1	1				
60	1	129100-61930	NUT, CAP		1	1	1				
61	1	129595-61931	PIN		1	1	1				
62	1	129595-61951	COVER		1	1	1				
63	1	129595-61961	GASKET		1	1	1				
64	1	124550-66370	LOCK NUT M 6		1	1	1				

++ CONTINUE ++

(A)=4JH2E (D)=4JH2-DTE  
 (B)=4JH2-TE (E)=4JH2-UTE(B)  
 (C)=4JH2-HTE (F)=

Fig.37.GOVERNOR(4JH2-TE,HTE,DTE)

Fig. **37** ガバナ(4JH2, TE, HTE, DTE)  
 GOVERNOR



REF.	LEV.	PARTS NO.	DESCRIPTION	QTY						I	R	
				(A)	(B)	(C)	(D)	(E)	(F)			
65	1	104104-67300	SPRING, RETURN		1	1	1					
66	1	22117-040000	WASHER 4		1	1	1					
67	1	22117-060000	WASHER 6		1	1	1					
68	1	22190-080000	SEAL WASHER 8(BOLT)		2	2	2					
69	1	22190-100000	SEAL WASHER 10(BOLT)		2	2	2					
69-1	1	43400-500430	SEAL WASHER 10S		2	2	2					N
		(B=E-XXX) (C=E-XXX) (D=E-XXX)			2	2	2					
70	1	22272-000060	CIRCLIP E- 6		2	2	2					
I 71	1	22287-060000	WASHER 6		3	3	3					Z
		(B=*1990.07) (C=*1990.07) (D=*1990.07)										
72	1	22287-120000	WASHER 12		1	1	1					
73	1	22360-040000	SNAP PIN 4		2	2	2					
I 73-1	1	22372-040000	SNAP PIN 4		2	2	2					N
		(B=E-XXX) (C=E-XXX) (D=E-XXX)										
74	1	22372-060000	SNAP PIN 6		1	1	1					
75	1	23414-050000	GASKET 5		1	1	1					
I 75-1	1	43400-500390	SEAL WASHER 6S		1	1	1					N
		(B=E-XXX) (C=E-XXX) (D=E-XXX)										
76	1	23887-100002	PLUG 10		2	2	2					
77	1	24311-000080	O-RING 1A P-8.0				1					
77-1	1	24311-240100	O-RING 1A P-10A		1	1	1					S
		(D=E31796)										
78	1	24311-000110	O-RING 1A P-11.0		1	1	1					
79	1	26022-050102	SCREW M 5X 10		8	8	8					
80	1	26106-060182	BOLT M 6X 18 PLATED		1	1	1					
81	1	26106-060202	BOLT M 6X 20 PLATED		6	6	6					
82	1	26366-080002	NUT M 8		1	1	1					
83	1	26557-060162	SCREW M 6X 16		3	3	3					
83-1	1	26106-060162	BOLT M 6X 16 PLATED		3	3	3					N
		(B=*1990.07) (C=*1990.07) (D=*1990.07)										
84	1	26667-080002	CAP NUT M 8		1	1	1					
85	1	26756-060002	LOCK NUT 6		2	2	2					
86	1	26756-080002	LOCK NUT M 8 PLATED		1	1	1					
87	1	26776-120002	LOCK NUT M12 PLATED		2	2	2					
88	1	43400-500450	SEAL WASHER 12S		2	2	2					

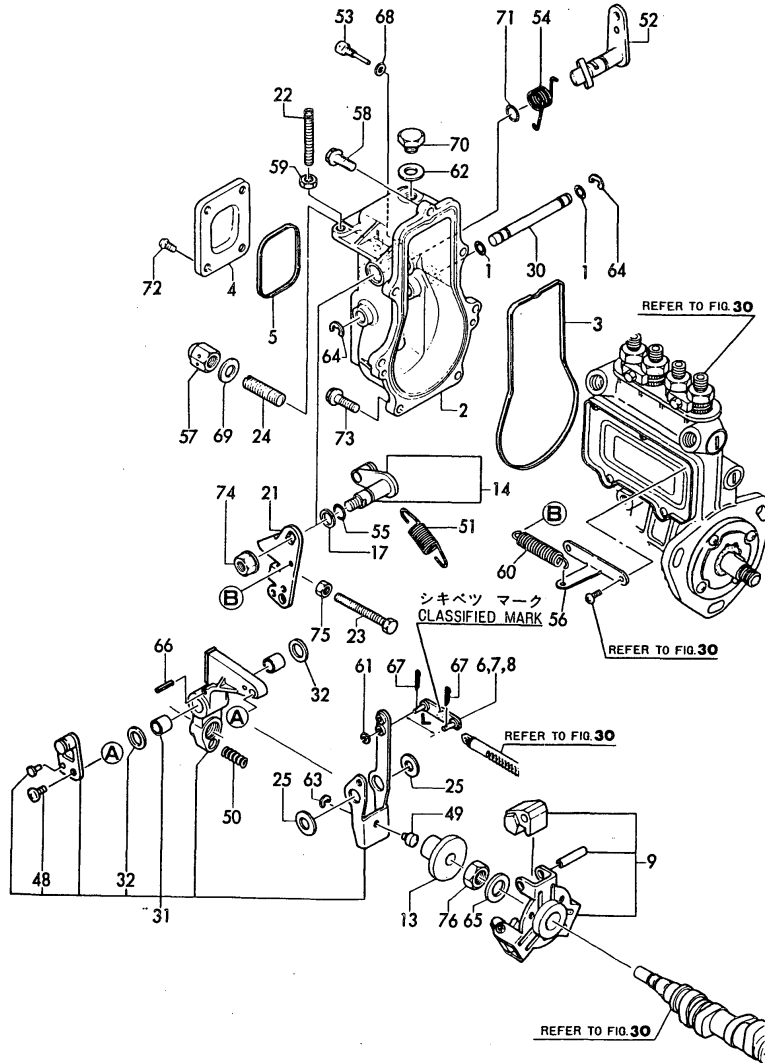
Remarks  
 BOOST COMPEMSATOR TYPE.  
 1) SELECTIVE PART; CERTAIN THE CLASSIFICATION MARK WHEN PLACE YOUR ORDER. (REFER TO THE ILLUSTRATION)  
 2) INTERCHANGEABLE BY SIMULTANEOUS REPLACEMENT WITH REF.51-1, & 77-1.

(A)=4JH2E (D)=4JH2-DTE  
 (B)=4JH2-TE (E)=4JH2-UTE(B)  
 (C)=4JH2-HTE (F)=

Fig.38.GOVERNOR(4JH2E)

Fig.38 ガバナ(4JH2-E)  
 GOVERNOR

ブーコンナシタイプ  
 NOT. BOOST COMPEMSATOR TYPE



REF.	LEV.	PARTS NO.	DESCRIPTION	QTY						I	R
				(A)	(B)	(C)	(D)	(E)	(F)		
1	1	129155-51280	O-RING S6		2						
2	1	129155-61011	CASE, GOVERNOR		1						
3	1	129155-61050	GASKET, GOV. CASE		1						
4	1	129155-61060	COVER, GOVERNOR CASE		1						
5	1	129155-61070	GASKET, CASE COVER		1						
6	1	129155-61120	LINK L=30(MARK 0)		1						1
7	1	129155-61130	LINK L=31(MARK 1)		1						1
8	1	129155-61140	LINK L=30.5(MARK 05)		1						1
9	1	129595-61200	WEIGHT ASSY, GOV.		1						
13	1	129155-61341	SLEEVE		1						
14	1	129100-61400	SHAFT ASSY, CONTROL		1						
17	1	129155-61430	SPACER, SHAFT		1						
21	1	129499-61440	THROTTLE LEVER		1						
22	1	129155-61450	BOLT, REVOL. LIMIT		1						
23	1	129155-61460	BOLT, IDLE LIMIT		1						
24	1	129155-61470	BOLT, FUEL CONTROL		1						
25	1	129155-61480	SPACER ASSY		2						
30	1	129155-61490	SHAFT, GOV. LEVER		1						
31	1	129500-61500	LEVER ASSY, GOVERNOR								
32	2	174307-51700	SHIM SET		2						
48	2	26022-060122	SCREW M 6X 12		1						
49	1	129155-61540	SHIFTER		1						
50	1	129470-61650	SPRING, FUEL CONTROL		1						
51	1	129100-61730	SPRING		1						
52	1	129473-61801	LEVER, STOP								
53	1	129155-61810	PIN, STOP LEVER		1						
54	1	129100-61821	SPRING, RETURN		1						
55	1	129155-61830	O-RING S10		1						
56	1	129499-61890	RETAINER		1						
57	1	129100-61930	NUT, CAP		1						
58	1	129155-61950	BOLT, WASHER BASED		1						
59	1	124550-66370	LOCK NUT M 6		1						
60	1	104104-67300	SPRING, RETURN		1						
61	1	22117-040000	WASHER 4		1						
62	1	22190-100000	SEAL WASHER 10(BOLT)		1						
62-1	1	43400-500430	SEAL WASHER 10S		1						N
(A=EXXX)											
63	1	22272-000040	CIRCLIP E- 4		1						
64	1	22272-000060	CIRCLIP E- 6		2						
65	1	22287-120000	WASHER 12		1						
66	1	22351-030016	SPRING PIN 3X16		1						
67	1	22360-050000	SNAP PIN 5		2						
I 67-1	1	22372-040000	SNAP PIN 4		2						N
(A=EXXX)											
68	1	23414-050000	GASKET 5		1						
68-1	1	43400-500390	SEAL WASHER 6S		1						N
(A=EXXX)											
69	1	23414-100014	PACKING 10,ROUND		1						
70	1	23887-100002	PLUG 10		1						
71	1	24311-240100	O-RING 1A P-10A		1						
72	1	26022-050102	SCREW M 5X 10		4						
73	1	26106-060202	BOLT M 6X 20 PLATED		6						
74	1	26366-080002	NUT M 8		1						
75	1	26756-060002	LOCK NUT 6		1						

++ CONTINUE ++

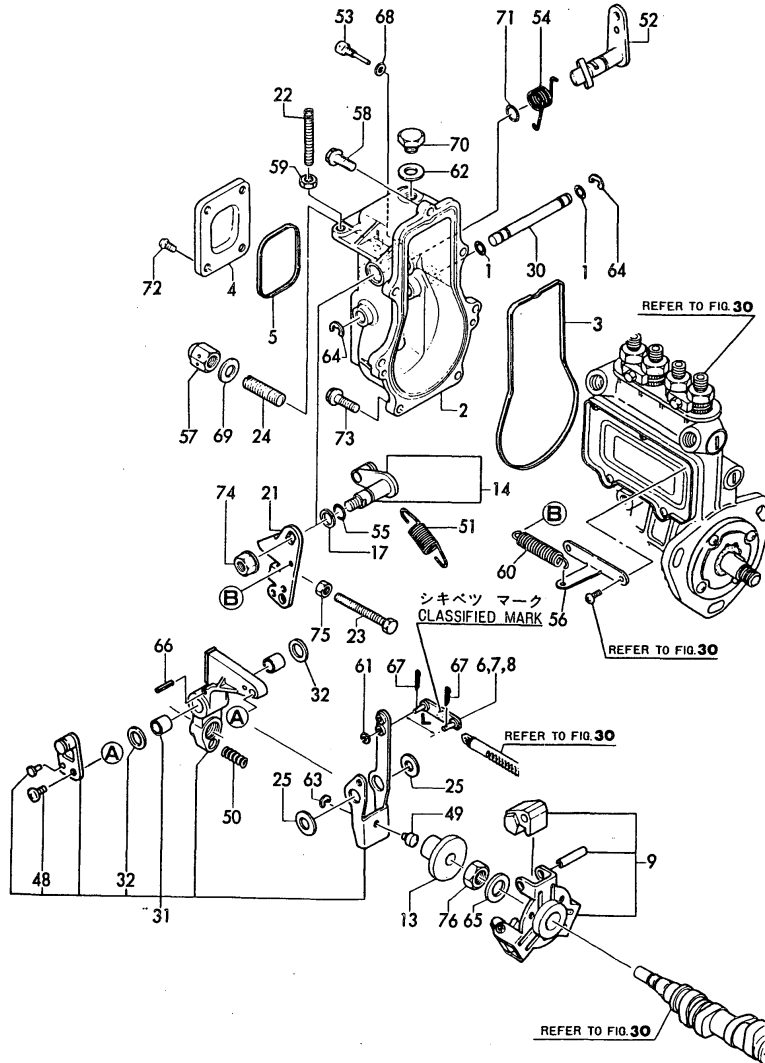
Remarks  
 NOT BOOST COMPEMSATOR TYPE.  
 1) SELECTIVE PART; CERTAIN THE CLAS  
 -SIFICATION MARK WHEN PLACE YOUR  
 ORDER. (REFER TO THE ILLUSTRATION)

(A)=4JH2E (D)=4JH2-DTE  
 (B)=4JH2-TE (E)=4JH2-UTE(B)  
 (C)=4JH2-HTE (F)=

Fig.38.GOVERNOR(4JH2E)

Fig. **38** ガバナ(4JH2-E)  
 GOVERNOR

ブーコンナシタイプ  
 NOT. BOOST COMPEMSATOR TYPE



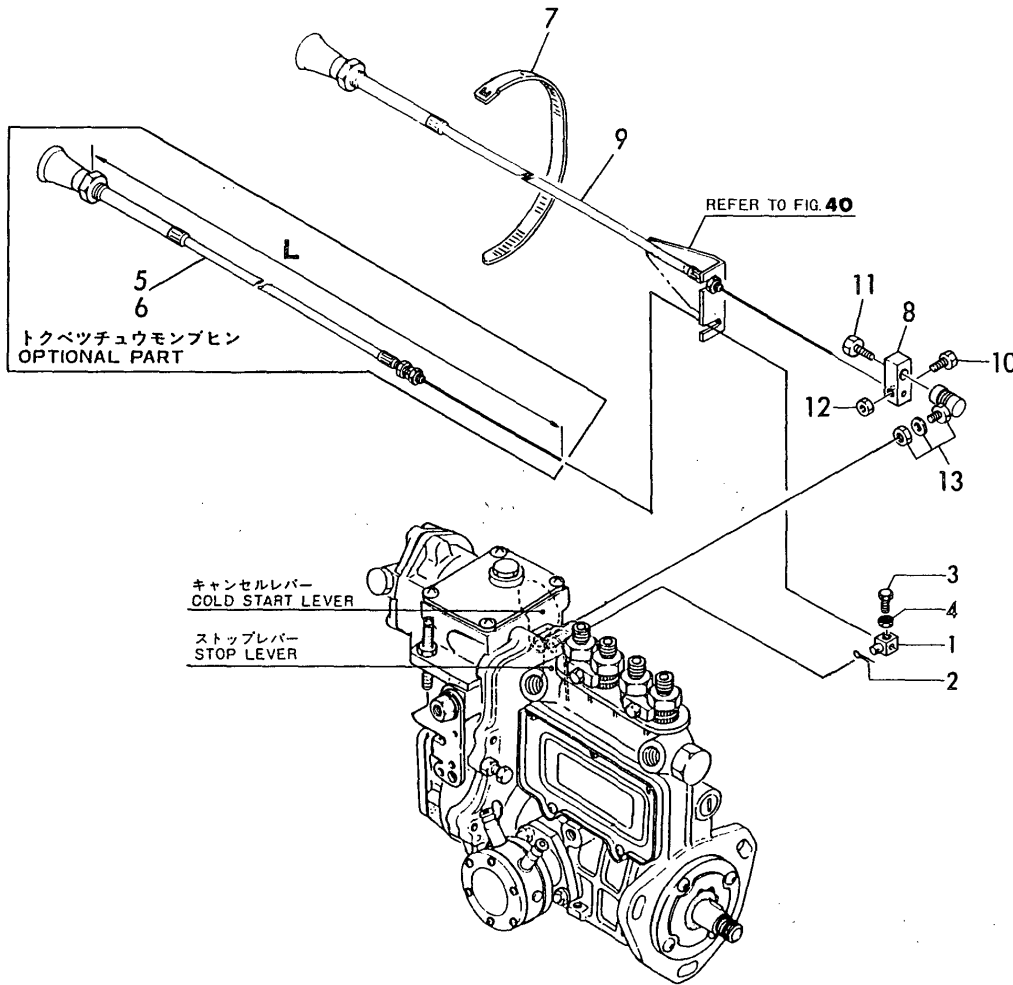
REF.	LEV.	PARTS NO.	DESCRIPTION	----- QTY -----						I	R
				(A)	(B)	(C)	(D)	(E)	(F)		
76	1	26776-120002	LOCK NUT M12 PLATED				1				

Remarks  
 NOT BOOST COMPEMSATOR TYPE.  
 1) SELECTIVE PART; CERTAIN THE CLAS  
 -SIFICATION MARK WHEN PLACE YOUR  
 ORDER. (REFER TO THE ILLUSTRATION)

Fig.39.ENGINE STOP&COLD START DEVICE

(A)=4JH2E (D)=4JH2-DTE  
 (B)=4JH2-TE (E)=4JH2-UTE(B)  
 (C)=4JH2-HTE (F)=

Fig. **39** キカンテイシソウチ&キャンセルケーブル  
 ENGINE STOP & COLD START DEVICE



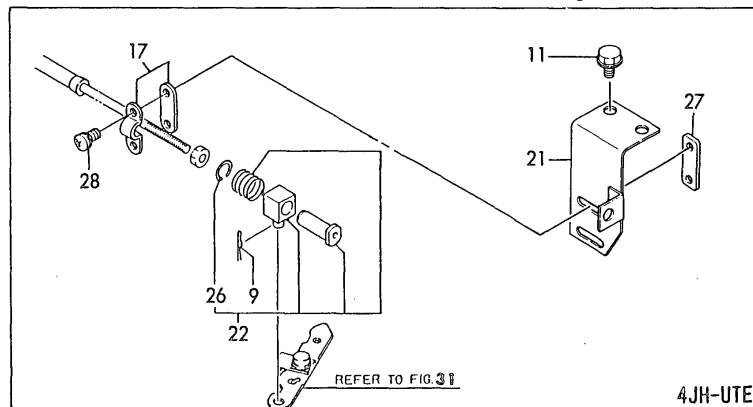
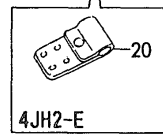
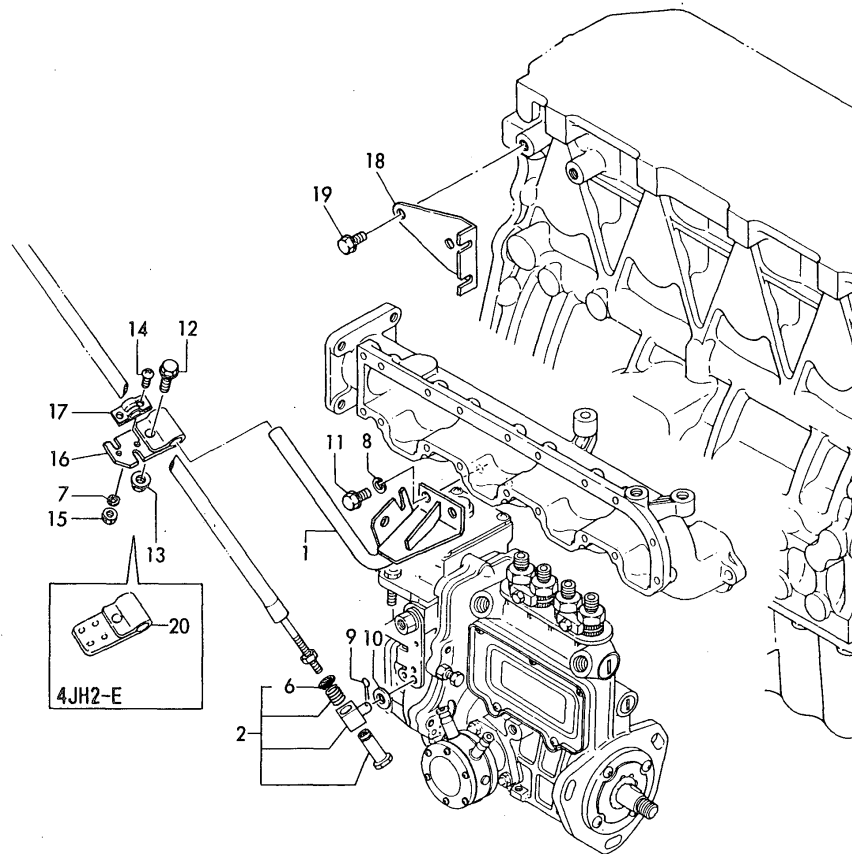
REF.	LEV.	PARTS NO.	DESCRIPTION	QTY						I	R
				(A)	(B)	(C)	(D)	(E)	(F)		
1	1	129590-67310	CLAMP	1	1	1	1				
2	1	22414-250150	COTTER PIN 2.5X15	1	1	1	1				
3	1	26116-050142	BOLT M 5X 14 PLATED	1	1	1	1				
4	1	26756-050002	LOCK NUT M 5 PLATED	1	1	1	1				
5	1	129470-67550	CABLE (L=4000), STOP	1	1	1	1				1
6	1	129470-67560	CABLE L=7000	1	1	1	1				1
7	1	121750-59890	CLAMP 140		1	1	1				
8	1	129595-67310	CLAMP		1	1	1				
9	1	129590-67420	CABLE L=500		1	1	1				
10	1	26116-050142	BOLT M 5X 14 PLATED		1	1	1				
11	1	26116-050202	BOLT M5X20		1	1	1				
12	1	26756-050002	LOCK NUT M 5 PLATED		1	1	1				
13	1	41710-001300	JOINT		1	1	1				

Remarks  
 1) OPTIONAL PARTS

Fig.40.SPEED REMOTE CONTROL DEVICE

(A)=4JH2E (D)=4JH2-DTE  
 (B)=4JH2-TE (E)=4JH2-UTE(B)  
 (C)=4JH2-HTE (F)=

Fig. 40 スピードコントロールソウチ  
 SPEED REMOTE CONTROL DEVICE

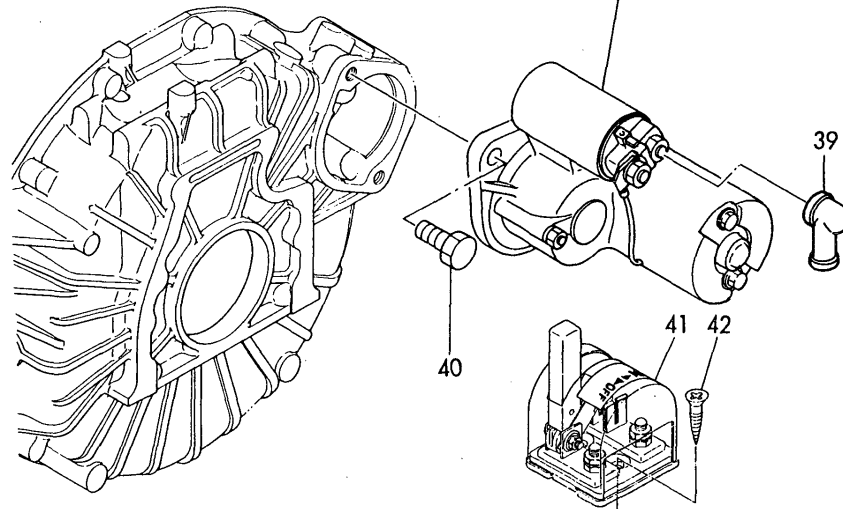
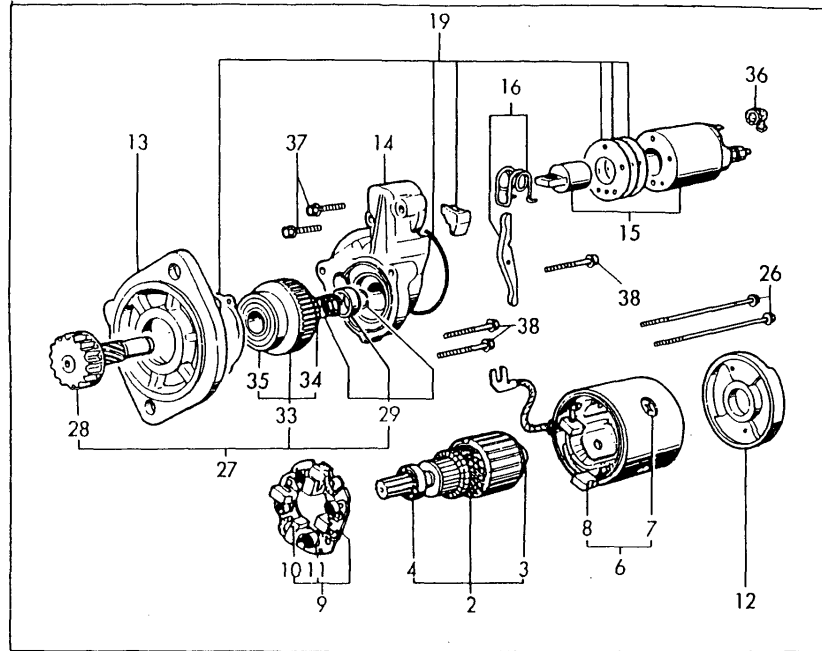


REF.	LEV.	PARTS NO.	DESCRIPTION	QTY						I	R
				(A)	(B)	(C)	(D)	(E)	(F)		
1	1	129590-67101	BRACKET	1	1	1	1				
2	1	129470-67200	RETAINER, JOINT	1	1	1	1				
6	2	22242-000100	CIRCLIP 10	1	1	1	1				
7	1	22217-050000	SPRING WASHER 5	2	2	2	2				
8	1	22217-080000	SPRING WASHER 8	2	2	2	2				
9	1	22414-250150	COTTER PIN 2.5X15	1	1	1	1	1			
10	1	23414-080000	GASKET 8, ROUND	1	1	1	1				
11	1	26106-080122	BOLT M 8X 12 PLATED	2	2	2	2	2			
12	1	26106-080252	BOLT M 8X 25 PLATED	1	1	1	1				
13	1	26366-080002	NUT M 8	1	1	1	1				
14	1	26557-050122	SCREW M 5X 12	2	2	2	2				
15	1	26716-050002	NUT M 5	2	2	2	2				
16	1	129590-67110	BRACKET,CABLE		1	1	1				
17	1	41710-000410	CLAMP	1	1	1	1	1			
18	1	129590-67140	BRACKET		1	1	1				
19	2	26106-080122	BOLT M 8X 12 PLATED		2	2	2				
20	1	41701-001720	BRACKET	1							
21	1	129574-67100	BRACKET							1	
22	1	105311-67200	RETAINER, JOINT								1
26	2	22242-000100	CIRCLIP 10								1
27	1	121574-86320	RETAINER								1
28	1	26022-050122	SCREW M 5X 12								2

Fig.41.STARTING MOTOR

(A)=4JH2E (D)=4JH2-DTE  
 (B)=4JH2-TE (E)=4JH2-UTE(B)  
 (C)=4JH2-HTE (F)=

Fig.41 スターティングモータ  
 STARTING MOTOR



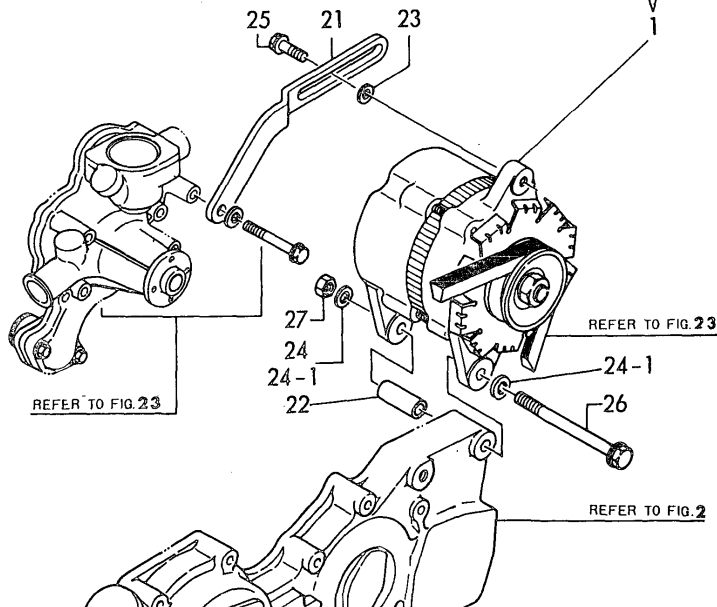
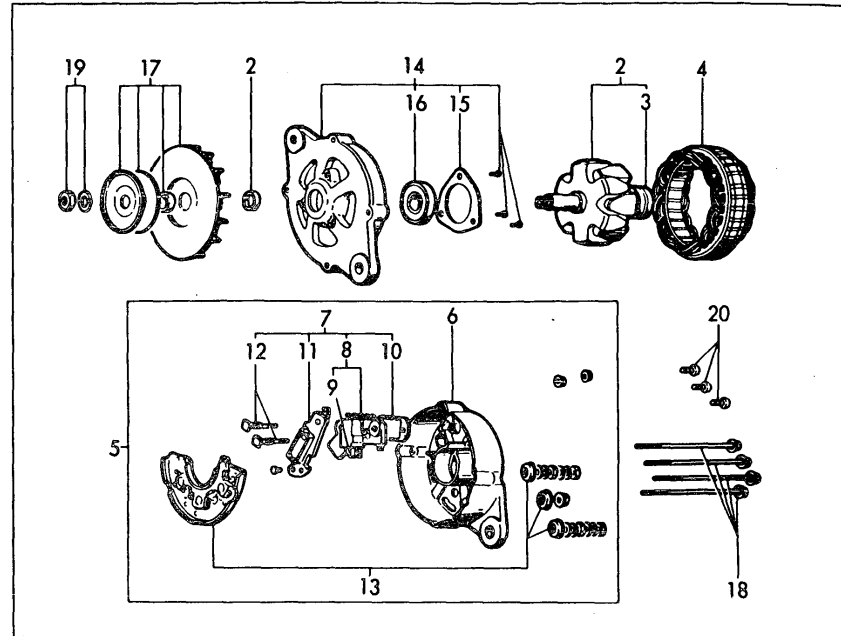
REF.	LEV.	PARTS NO.	DESCRIPTION	QTY						I	R
				(A)	(B)	(C)	(D)	(E)	(F)		
1	1	171008-77010	STARTER	1	1	1	1	1			
2	2	171008-77400	ARMATURE ASSY	1	1	1	1	1			
3	3	171008-77410	BEARING(1)	1	1	1	1	1			
4	3	171008-77420	BEARING(2)	1	1	1	1	1			
6	2	171008-77440	COIL ASSY, FIELD	1	1	1	1	1			
7	3	171008-77450	SCREW, POLE CORE SET	4	4	4	4	4			
8	3	171008-77460	BRUSH (+)	2	2	2	2	2			
9	2	171008-77470	HOLDER ASSY, BRUSH	1	1	1	1	1			
10	3	171008-77480	BRUSH (-)	2	2	2	2	2			
11	3	171008-77490	SPRING, BRUSH	4	4	4	4	4			
12	2	171008-77500	COVER, REAR	1	1	1	1	1			
13	2	171008-77510	HOUSING ASSY, GEAR	1	1	1	1	1			
14	2	171008-77520	HOUSING, CENTER	1	1	1	1	1			
15	2	171008-77530	SWITCH, MAGNETIC	1	1	1	1	1			
16	2	171008-77540	LEVER SET, SHIFT	1	1	1	1	1			
19	2	171008-77570	COVER SET, DUST	1	1	1	1	1			
I 19-1	2	171008-77571	DUST COVER,(NON-ASB.	1	1	1	1	1			N
		(A=1190.08)	(B=1990.08)	(C=1990.08)	(D=1990.08)	(E=1990.08)					
26	2	171008-77640	BOLT, THROUGH	2	2	2	2	2			
27	2	171008-77650	PINION ASSY	1	1	1	1	1			
28	3	171008-77660	SHAFT, PINION	1	1	1	1	1			
29	3	171008-77670	STOPPER SET, PINION	1	1	1	1	1			
33	3	171008-77720	CLUTCH ASSY	1	1	1	1	1			
34	4	171008-77730	BALL BEARING (3)	1	1	1	1	1			
35	4	171008-77740	BALL BEARING (4)	1	1	1	1	1			
36	2	171008-77750	COVER, M TERMINAL	1	1	1	1	1			
37	2	26106-060322	BOLT M 6X 32 PLATED	2	2	2	2	2			
38	2	26106-060402	BOLT M 6X 40 PLATED	3	3	3	3	3			
39	1	124550-77030	COVER, TERMINAL	1	1	1	1	1			
40	1	26116-120302	BOLT M12X 30 PLATED	2	2	2	2	2			
41	1	123310-77640	SWITCH, BATTERY	1	1	1	1	1			
42	1	22724-800380	SCREW 8X 38	2	2	2	2	2			



(A)=4JH2E (D)=4JH2-DTE  
 (B)=4JH2-TE (E)=4JH2-UTE(B)  
 (C)=4JH2-HTE (F)=

Fig.42.GENERATOR

Fig. 42 ジェネレータ GENERATOR

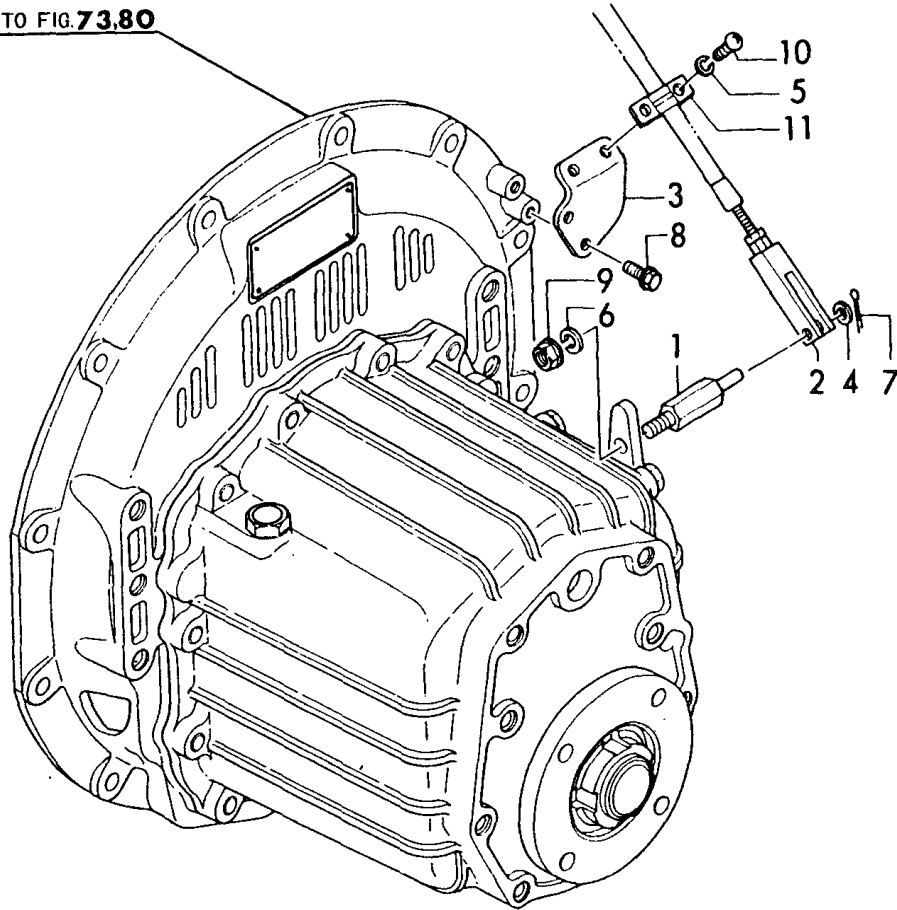


REF.	LEV.	PARTS NO.	DESCRIPTION	QTY						I	R
				(A)	(B)	(C)	(D)	(E)	(F)		
1	1	129772-77200	GENERATOR(12V-55A)	1	1	1	1	1			
2	2	XL15571001	ROTOR ASSY	1	1	1	1	1			
3	3	X6201SD	BALL BEARING	1	1	1	1	1			
4	2	XL15542001	STATOR ASSY	1	1	1	1	1			
5	2	XL15553002	COVER ASSY, REAR	1	1	1	1	1			
6	3	XL22553012	COVER, REAR	1	1	1	1	1			
7	3	XL1556315	REGULATOR ASSY,BRUSH	1	1	1	1	1			
8	4	XL2255330	BRUSH ASSY	1	1	1	1	1		1	
9	4	XL12013262	BRUSH	2	2	2	2	2			
10	4	XTR1Z63	REGULATOR	1	1	1	1	1			
11	4	XL2251318	CONDENCER ASSY	1	1	1	1	1			
12	4	XL13513134	BOLT M5	2	2	2	2	2			
13	3	XL2253320	DIODE ASSY	1	1	1	1	1			
14	2	XL2253400	FRONT COVER ASSY	1	1	1	1	1			
15	3	XL15014042	BEARING RETAINER	1	1	1	1	1			
16	3	X6203BM	BALL BEARING	1	1	1	1	1			
17	2	XL22555001	PULLEY ASSY	1	1	1	1	1			
18	2	XL15018015	BOLT, THROUGH	4	4	4	4	4			
19	2	XL1501810	NUT ASSY, PULLEY	1	1	1	1	1			
20	2	XL15028001	SCREW ASSY	1	1	1	1	1			
21	1	129470-77330	ADJUSTER, BELT	1	1	1	1	1			
22	1	129470-77340	SPACER	1	1	1	1	1			
23	1	22137-080000	WASHER 8, POLISHED	1	1	1	1	1			
24	1	22137-100000	WASHER 10,POLISHED	1	1	1	1	1			
I 24-1	1	22137-100000	WASHER 10,POLISHED	2	2	2	2	2		K	
		(A=*1991.01)	(B=*1991.01)	(C=*1991.01)	(D=*1991.01)	(E=*1991.01)					
25	1	26106-080252	BOLT M 8X 25 PLATED	1	1	1	1	1			
26	1	26106-101152	BOLT M10X115 PLATED	1	1	1	1	1			
26-1	1	26116-101202	BOLT M10X120 PLATED	1	1	1	1	1		R	
		(A=*1989.11)	(B=*1989.11)	(C=*1989.11)	(D=*1989.11)	(E=*1989.11)					
27	1	26716-100002	NUT 10	1	1	1	1	1			

(A)=4JH2E (D)=4JH2-DTE  
 (B)=4JH2-TE (E)=4JH2-UTE(B)  
 (C)=4JH2-HTE (F)=

**Fig.43** クラッチリモコン(KBW20 & KBW21)  
 CLUTCH REMOTE CONTROL

REFER TO FIG.73,80

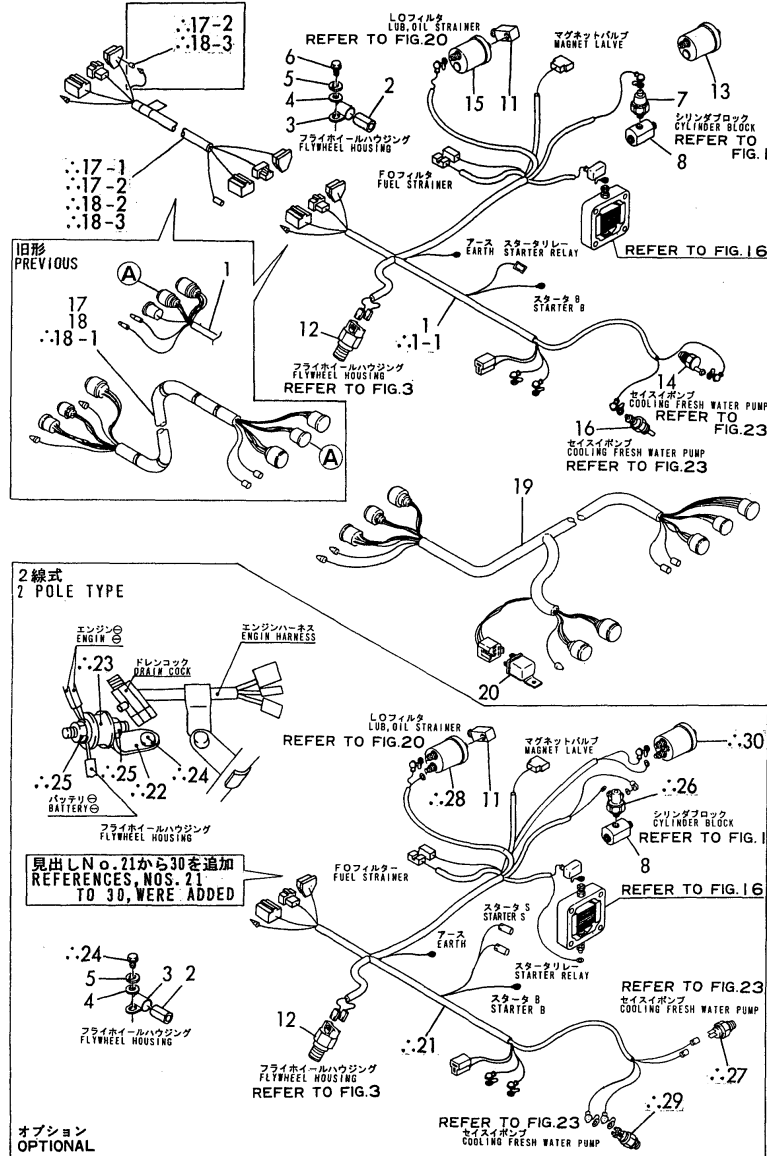


REF.	LEV.	PARTS NO.	DESCRIPTION	QTY						I	R
				(A)	(B)	(C)	(D)	(E)	(F)		
1	1	129470-86250	JOINT	1	1	1	1				
2	1	128370-86280	CLEVIS 12SQ-48L	1	1	1	1				
3	1	129470-86310	BRACKET	1	1	1	1				
4	1	22113-060000	WASHER 6	1	1	1	1				
5	1	22217-050000	SPRING WASHER 5	2	2	2	2				
6	1	22217-080000	SPRING WASHER 8	1	1	1	1				
7	1	22414-160100	COTTER PIN 1.6X10	1	1	1	1				
8	1	26106-060162	BOLT M 6X 16 PLATED	2	2	2	2				
9	1	26366-080002	NUT M 8	1	1	1	1				
10	1	26557-050082	SCREW M 5X 8	2	2	2	2				
11	1	41710-000410	CLAMP	1	1	1	1				

(A)=4JH2E (D)=4JH2-DTE  
 (B)=4JH2-TE (E)=4JH2-UTE(B)  
 (C)=4JH2-HTE (F)=

Fig.44.WIRE HARNESS & SENSOR(4JH2-UTE)

Fig.44 ワイヤハーネス&センサ(4JH2-UTE)  
 WIRE HARNESS & SENSOR



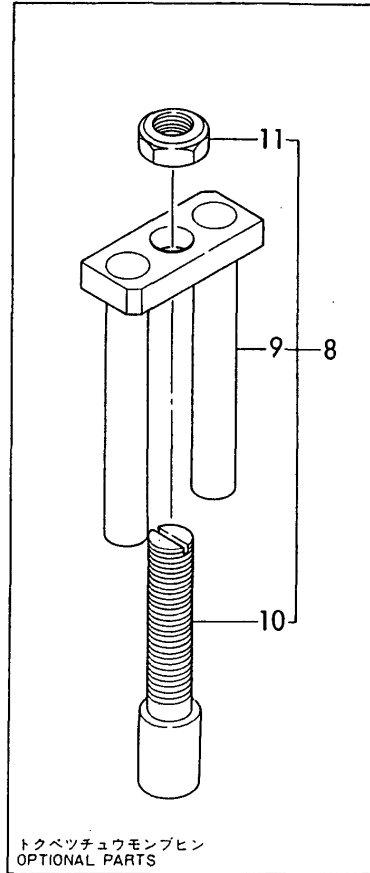
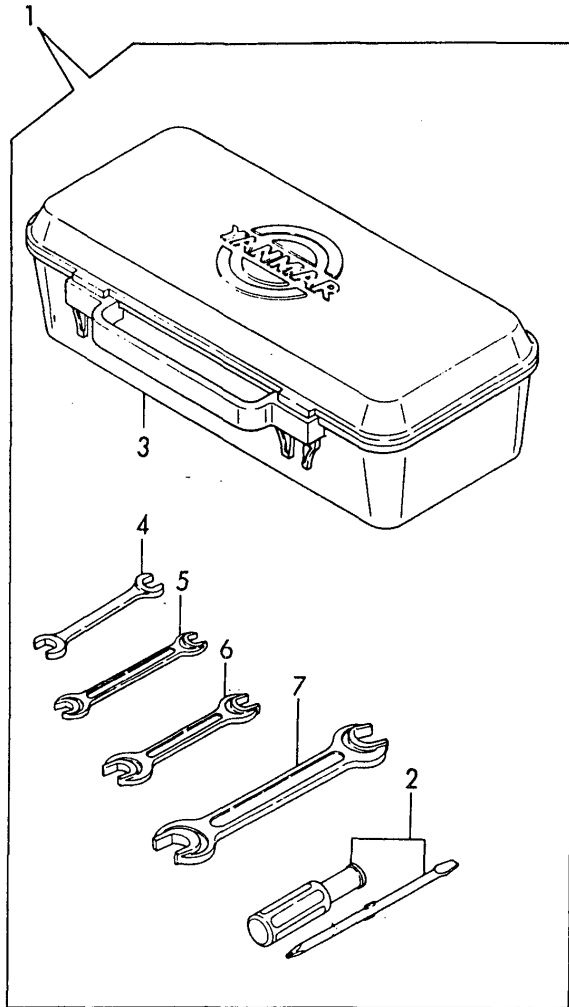
REF.	LEV.	PARTS NO.	DESCRIPTION	QTY						I	R
				(A)	(B)	(C)	(D)	(E)	(F)		
1	1	129574-77910	HARNESS, WIRE							1	
I	1-1	129574-77911	HARNESS, WIRE							1	S
				(E=E40733)							
2	1	124770-77940	PROTECTOR							1	
3	1	124070-77950	CLAMP							1	
4	1	22137-080000	WASHER 8, POLISHED							1	
5	1	22217-080000	SPRING WASHER 8							1	
6	1	26106-080162	BOLT M 8X 16 PLATED							1	
7	1	124060-39451	SENDER, OIL PRESSURE							1	1
8	1	129470-39600	DAMPER							1	1
11	1	123482-39670	DAMPER							1	1
12	1	128170-91160	SENSOR, TACHOMETER							1	1
13	1	124413-91300	SENSOR							1	1
14	1	120130-91370	SWITCH, THERMO(100C							1	1
15	1	144626-91560	SENDER UNIT							1	1
16	1	144626-91570	SENDER UNIT							1	1
17	1	119171-77701	HARNESS, WIRE(6M							1	1
I	17-1	129574-77720	HARNESS, WIRE(6M)							1	S 1
				(E=E40733)							
I	17-2	129574-77720-1	HARNESS, WIRE(6M)							1	N 1
				(E=E40923)							
18	1	119171-77710	HARNESS, WIRE(4M							1	1
I	18-1	127610-77710	HARNESS, WIRE(3.8M)							1	N 1
				(E=E40701)							
I	18-2	129574-77710	HARNESS, WIRE(4M)							1	S 1
				(E=E40733)							
I	18-3	129574-77710-1	HARNESS, WIRE(4M)							1	N 1
				(E=E40923)							
19	1	119171-77980	HARNESS, WIRE							1	1
20	1	124617-91850	RELAY							1	1
I	21	129574-77820	HARNESS, WIRE							1	W 2
				(E=E40923)							
I	22	129590-59200	CLAMP							1	W 2
				(E=E40923)							
I	23	194555-62750	RUBBER, CUSHION							1	W 2
				(E=E40923)							
I	24	26106-080142	BOLT M 8X 14 PLATED							2	W 2
				(E=E40923)							
I	25	26716-080002	NUT M 8							2	W 2
				(E=E40923)							
I	26	126630-91591	SWITCH,OIL PRESSURE							1	W 2
				(E=E40923)							
I	27	129570-91320	SWITCH, THERMO(108C							1	W 2
				(E=E40923)							
I	28	126630-91560	SENDER UNIT							1	W 2
				(E=E40923)							
I	29	126630-91570	SENDER UNIT							1	W 2
				(E=E40923)							
I	30	46150-504360	SENDER UNIT							1	W 2
				(E=E40923)							

Remarks  
 (1) OPTIONAL  
 (2) OPTIONAL : 2POLE TYPE

Fig.45.TOOL

(A)=4JH2E (D)=4JH2-DTE  
 (B)=4JH2-TE (E)=4JH2-UTE(B)  
 (C)=4JH2-HTE (F)=

Fig. **45** コウグ  
 TOOL



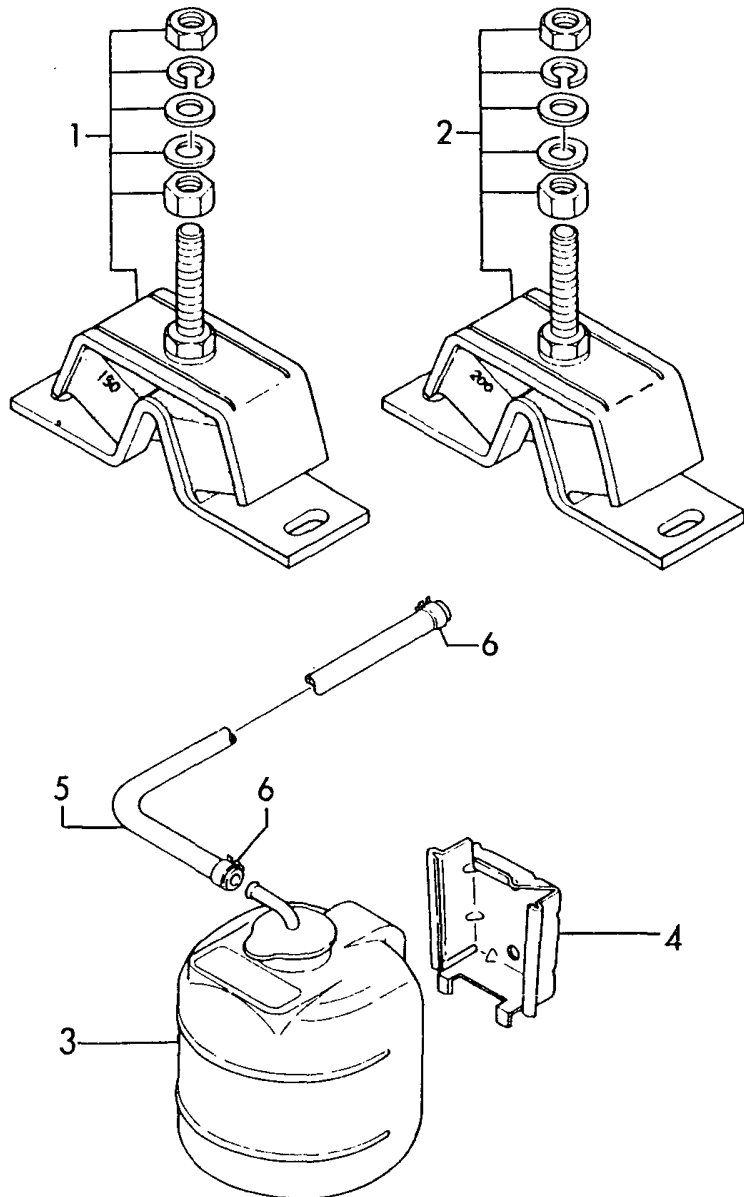
REF.	LEV.	PARTS NO.	DESCRIPTION	QTY						I	R
				(A)	(B)	(C)	(D)	(E)	(F)		
1	1	704507-92100	BOX ASSY, TOOL	1	1	1	1	1			
2	2	104200-92350	DRIVER, SCREW	1	1	1	1	1			
3	2	104200-92600	BOX, TOOL	1	1	1	1	1			
4	2	28110-100130	WRENCH 10X13	1	1	1	1	1			
5	2	28110-120140	WRENCH 12X14	1	1	1	1	1			
6	2	28110-170190	WRENCH 17X19	1	1	1	1	1			
7	2	28110-220240	WRENCH 22X24	1	1	1	1	1			
8	1	129470-92300	TOOL ASSY.	1	1	1	1	1			1
9	2	129470-92310	RETAINER(A.F.I.VALVE)	1	1	1	1	1			1
10	2	129470-92320	RETAINER(B.F.I.VALVE)	1	1	1	1	1			1
11	2	26716-120002	NUT 12	1	1	1	1	1			1

Remarks  
 1) OPTIONAL PARTS

(A)=4JH2E (D)=4JH2-DTE  
 (B)=4JH2-TE (E)=4JH2-UTE(B)  
 (C)=4JH2-HTE (F)=

Fig.46.SPARE PART

Fig. **46** フゾクヒン  
 SPARE PART

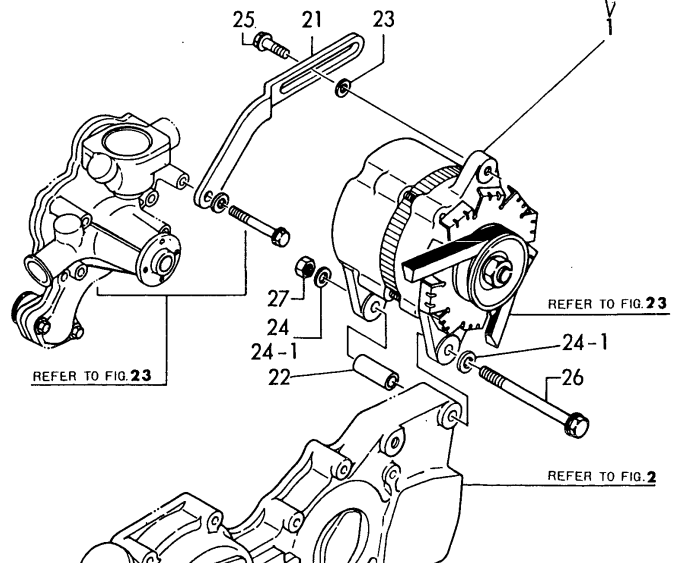
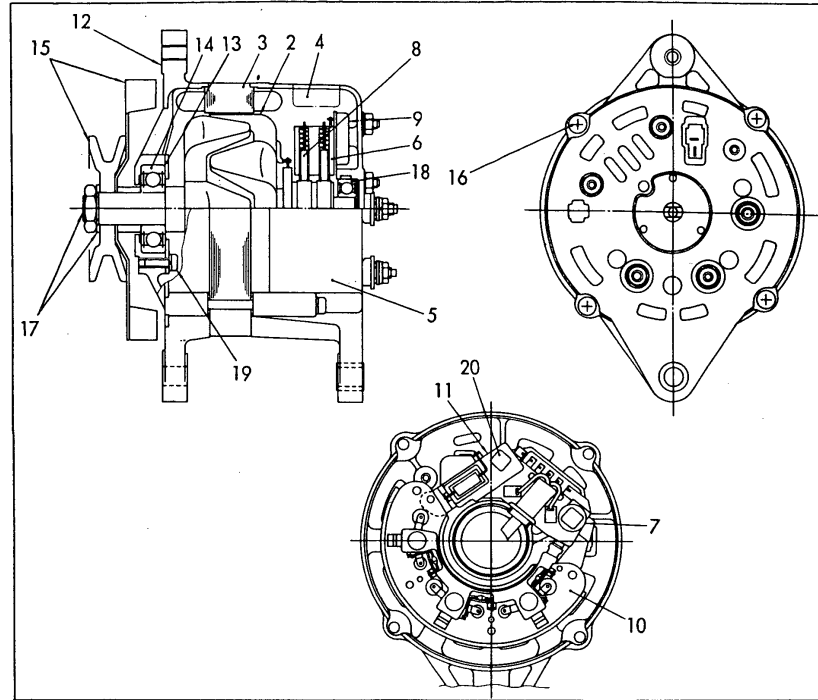


REF.	LEV.	PARTS NO.	DESCRIPTION	QTY						I	R
				(A)	(B)	(C)	(D)	(E)	(F)		
1	1	121370-08351	MOUNTING, FLEXIBLE	2	2	2	2	2			
2	1	129470-08350	MOUNTING, FLEXIBLE	2	2	2	2	2			
3	1	120445-44530	TANK ASSY, RESERVE	1	1	1	1	1			
4	1	120445-44540	BRACKET, SUB-TANK	1	1	1	1	1			
5	1	124790-44560	PIPE, C. WATER	1	1	1	1	1			
6	1	23010-013000	CLAMP 13	2	2	2	2	2			

(A)=4JH2E (D)=4JH2-DTE  
 (B)=4JH2-TE (E)=4JH2-UTE(B)  
 (C)=4JH2-HTE (F)=

Fig.47.GENERATOR

Fig. **47** ジェネレータ  
 GENERATOR

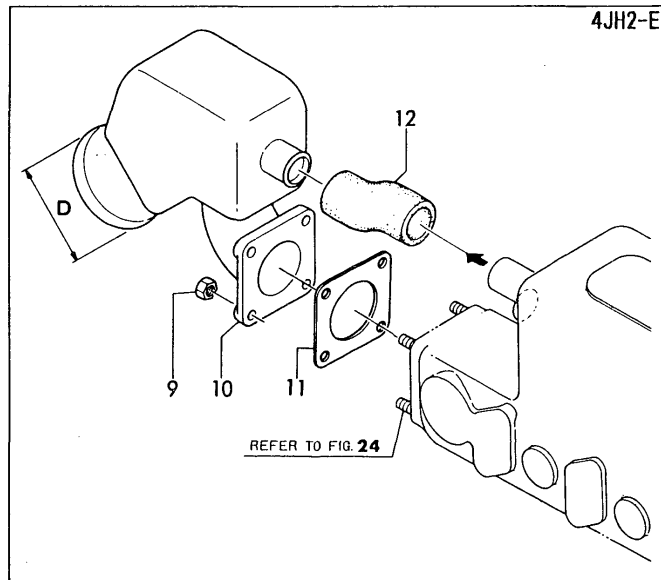
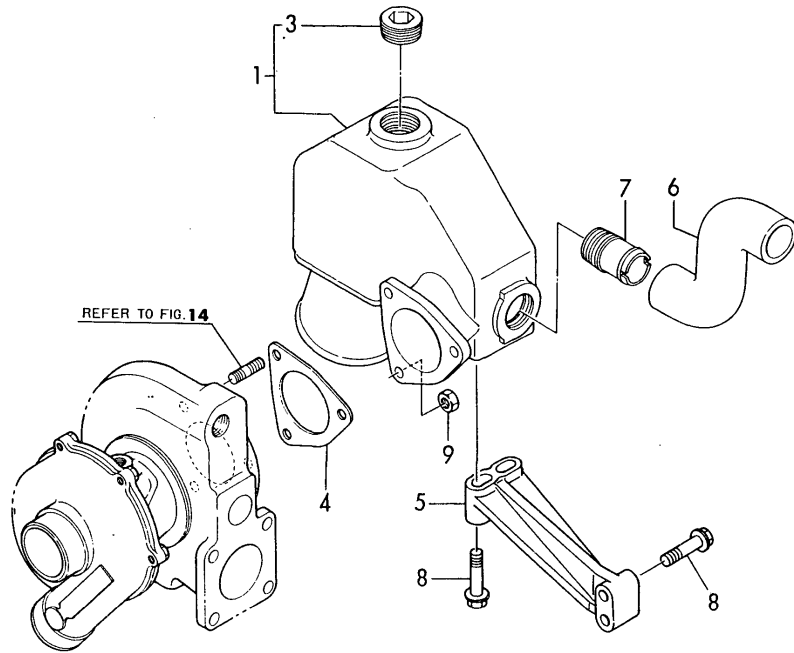


REF.	LEV.	PARTS NO.	DESCRIPTION	QTY						I	R
				(A)	(B)	(C)	(D)	(E)	(F)		
1	1	129470-77200	GENERATOR(12V-80A)	1	1	1	1	1			
2	2	XL1805100	ROTOR ASY	1	1	1	1	1			
3	2	XL1801200	STATOR ASY	1	1	1	1	1			
4	2	XL1809300	COVER ASSY, REAR	1	1	1	1	1			
5	3	XL1805301	COVER, REAR	1	1	1	1	1			
6	3	XL1556315	REGULATOR ASSY,BRUSH	1	1	1	1	1			
7	4	XL2255320	DIODE L225-5320	1	1	1	1	1			
8	4	XL1801335	BRUSH	2	2	2	2	2			
9	4	XTR1Z63	REGULATOR	1	1	1	1	1			
10	3	XL1808320	DIODE ASY	1	1	1	1	1			
11	3	XL2251318	CONDENCER ASSY	1	1	1	1	1			
12	2	XL23534011	COVER ASSY, FRONT	1	1	1	1	1			
13	3	XL150M14041	RETAINER	1	1	1	1	1			
14	3	XG6303BM	BALL BEARING 6303B	1	1	1	1	1			
15	2	XL1805500	PULLEY ASSY	1	1	1	1	1			
16	2	XL18018015	THROUGH BOLT	4	4	4	4	4			
17	2	XL1501810	NUT ASSY, PULLEY	1	1	1	1	1			
18	2	X6201NC	BALL BEARING	1	1	1	1	1			
19	2	XL15028001	SCREW ASSY	1	1	1	1	1			
20	2	124080-77520	BOLT M5	2	2	2	2	2			
21	1	129470-77330	ADJUSTER, BELT	1	1	1	1	1			
22	1	129470-77340	SPACER	1	1	1	1	1			
23	1	22137-080000	WASHER 8, POLISHED	1	1	1	1	1			
24	1	22137-100000	WASHER 10,POLISHED	1	1	1	1	1			
I 24-1	1	22137-100000	WASHER 10,POLISHED	2	2	2	2	2		K	
		(A=*1991.01)	(B=*1991.01)	(C=*1991.01)	(D=*1991.01)	(E=*1991.01)					
25	1	26106-080252	BOLT M 8X 25 PLATED	1	1	1	1	1			
26	1	26106-101152	BOLT M10X115 PLATED	1	1	1	1	1			
26-1	1	26116-101202	BOLT M10X120 PLATED	1	1	1	1	1		R	
		(A=*1989.11)	(B=*1989.11)	(C=*1989.11)	(D=*1989.11)	(E=*1989.11)					
27	1	26716-100002	NUT 10	1	1	1	1	1			

Fig.48.MIXING ELBOW

(A)=4JH2E (D)=4JH2-DTE  
 (B)=4JH2-TE (E)=4JH2-UTE(B)  
 (C)=4JH2-HTE (F)=

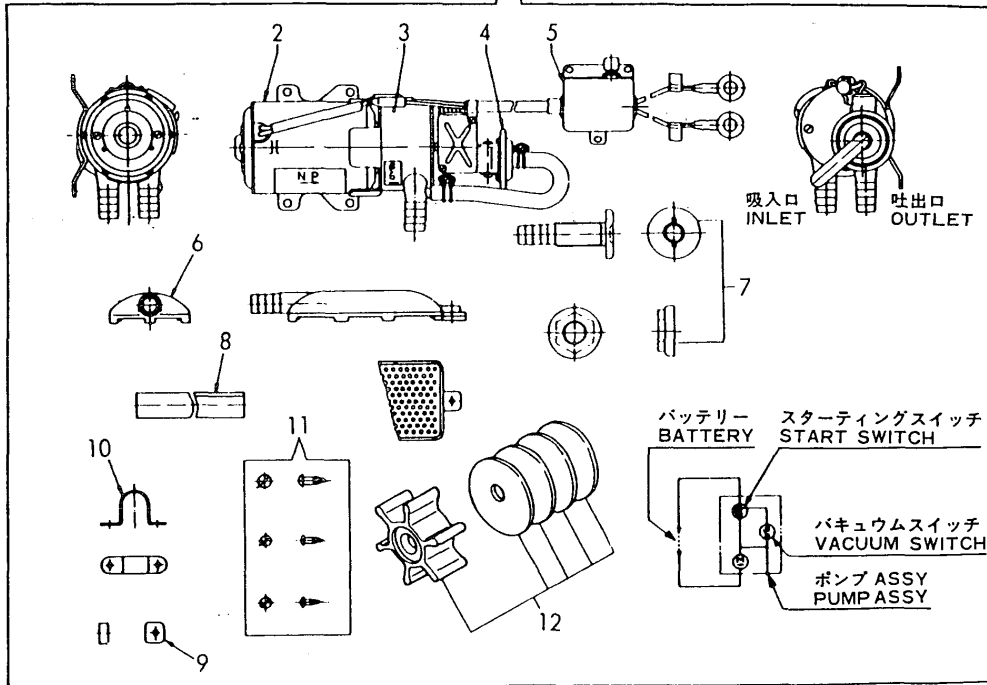
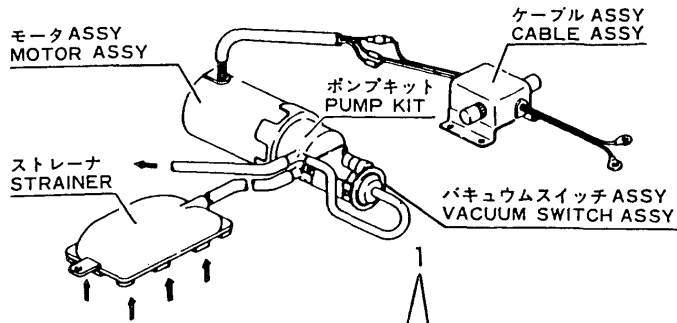
Fig. **48** ミキシングエルボ  
 MIXING ELBOW



REF.	LEV.	PARTS NO.	DESCRIPTION	QTY						I	R
				(A)	(B)	(C)	(D)	(E)	(F)		
1	1	129472-13500	ELBOW MIXING COMP.	1	1	1	1				
3	2	129472-13560	PLUG PT3/4	1	1	1	1				
4	1	129792-13520	GASKET				1				
4-1	1	129472-13520	GASKET			1	1	1	1		N
				(D=E31928)							
5	1	129472-13550	SUPPORT	1	1	1	1	1			
6	1	129472-49050	PIPE	1	1	1	1	1			
7	1	123325-49421	JOINT, PIPE	1	1	1	1	1			
8	1	26106-080352	BOLT M 8X 35 PLATED	4	4	4	4	4			
9	1	26703-080002	NUT M 8	4	3	3	3	3			
10	1	129470-13540	ELBOW	1							
11	1	129472-18090	GASKET	1							
12	1	129470-49050	PIPE, COOLING WATER	1							

Fig.49.ELECTRIC BILGE PUMP(12V)

Fig.49 デンドウビルジポンプ (12V)  
ELECTRIC BILGE PUMP(12V)



(A)=4JH2E (D)=4JH2-DTE  
(B)=4JH2-TE (E)=4JH2-UTE(B)  
(C)=4JH2-HTE (F)=

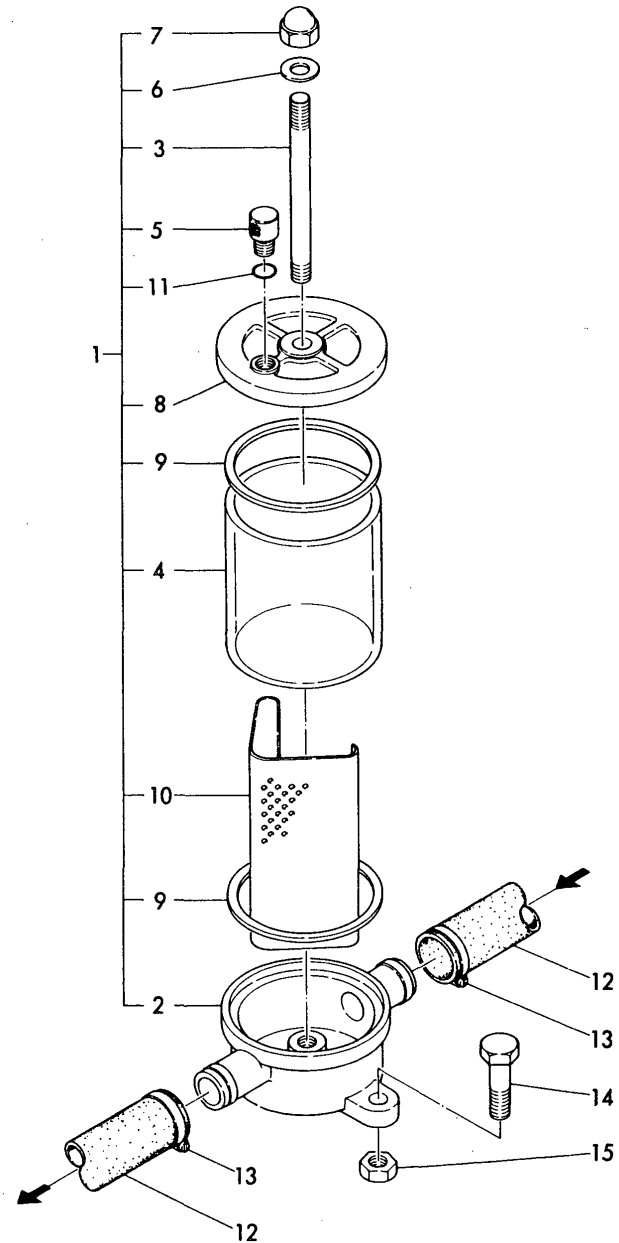
REF.	LEV.	PARTS NO.	DESCRIPTION	QTY						I	R
				(A)	(B)	(C)	(D)	(E)	(F)		
1A	1	977782-00121	PUMP ASSY, W/TIMMER	1	1	1	1	1			
2	2	XBP2901200	MOTOR ASSY.	1	1	1	1	1			
3	2	XBP1901300	PUMP SET	1	1	1	1	1			
4	2	XBP1902400	VACUUM SWITCH ASSY	1	1	1	1	1			
5	2	XBP1905500	CABLE ASSY.	1	1	1	1	1			
6	2	XBP1902810	STRAINER	1	1	1	1	1			
7	2	XBP1901820	OUTLET	1	1	1	1	1			
8	2	XBP1901830	HOSE	1	1	1	1	1			
9	2	XBP1901910	SPACER	1	1	1	1	1			
10	2	XBP1901920	CLAMP	1	1	1	1	1			
11	2	XBP1901950	SCREW SET	1	1	1	1	1			
12B	2	947859-20010	IMPELLER	1	1	1	1	1			



Fig.50.SEA WATER FILTER

(A)=4JH2E (D)=4JH2-DTE  
 (B)=4JH2-TE (E)=4JH2-UTE(B)  
 (C)=4JH2-HTE (F)=

Fig. **50** カイスイコシキ  
 SEA WATER STRAINER

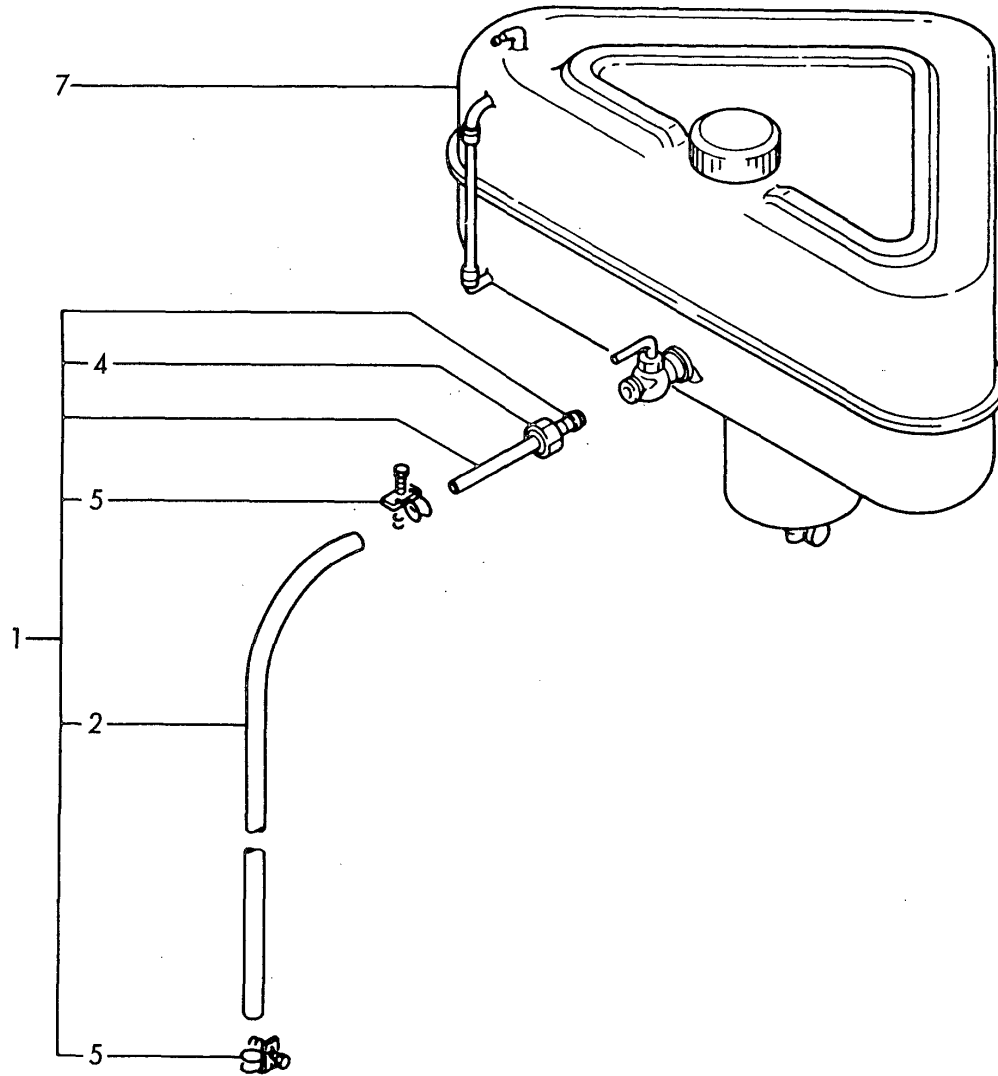


REF.	LEV.	PARTS NO.	DESCRIPTION	QTY						I	R
				(A)	(B)	(C)	(D)	(E)	(F)		
1	1	919400-02500	STRAINER	1	1	1	1	1			
2	2	XTST25S001	BODY	1	1	1	1	1			
3	2	XTST25S002	BOLT M 8X125	1	1	1	1	1			
4	2	XTST25S003	PIPE, OUTER	1	1	1	1	1			
5	2	XTST25S004	PLUG M 8	1	1	1	1	1			
6	2	XTST25S005	PACKING	1	1	1	1	1			
7	2	26664-080002	CAP NUT M 8	1	1	1	1	1			
8	2	XTST25S007	COVER	1	1	1	1	1			
9	2	XTST25S008	PACKING	2	2	2	2	2			
10	2	XTST25S009	FILTER	1	1	1	1	1			
11	2	24311-000060	O-RING 1A P-6.0	1	1	1	1	1			
12	1	23072-101000	HOSE (25/33X1000)	1	1	1	1	1			
13	1	23000-041000	CLAMP 41	2	2	2	2	2			
14	1	26116-080302	BOLT 8X30	2	2	2	2	2			
15	1	26703-080002	NUT M 8	2	2	2	2	2			

(A)=4JH2E (D)=4JH2-DTE  
 (B)=4JH2-TE (E)=4JH2-UTE(B)  
 (C)=4JH2-HTE (F)=

Fig.51.FUEL TANK

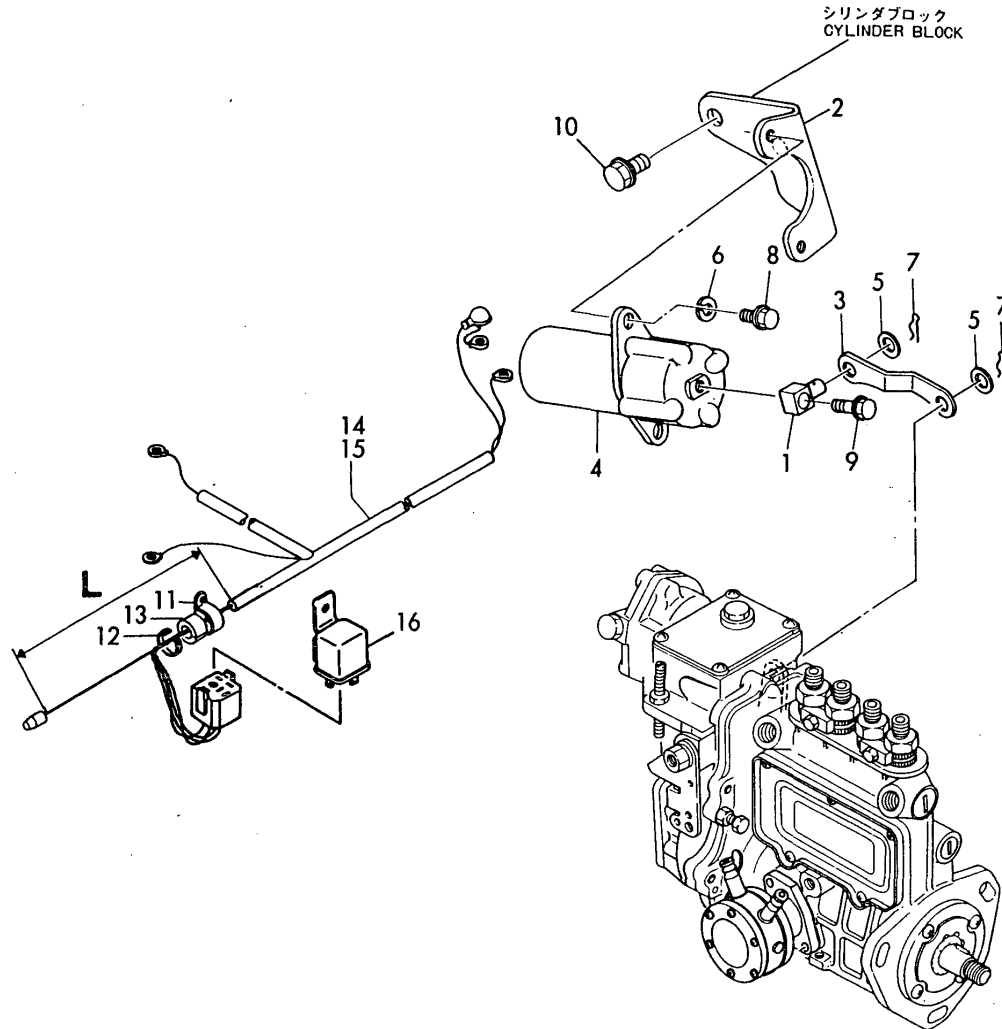
Fig. **51** FOタンク  
 FUEL TANK



REF.	LEV.	PARTS NO.	DESCRIPTION	QTY						I	R
				(A)	(B)	(C)	(D)	(E)	(F)		
1	1	124070-59060	PIPE, FUEL OIL	1	1	1	1	1			
2	2	124070-59130	PIPE, FUEL OIL	1	1	1	1	1			
4	2	138603-59380	CAP NUT	1	1	1	1	1			
5	2	23010-014000	CLAMP 14	2	2	2	2	2			
7	1	83213-003012	TANK (30L), FUEL	1	1	1	1	1			

(A)=4JH2E (D)=4JH2-DTE  
 (B)=4JH2-TE (E)=4JH2-UTE(B)  
 (C)=4JH2-HTE (F)=

Fig. **52** キカンテイシソウチ  
 ENGINE STOP DEVICE

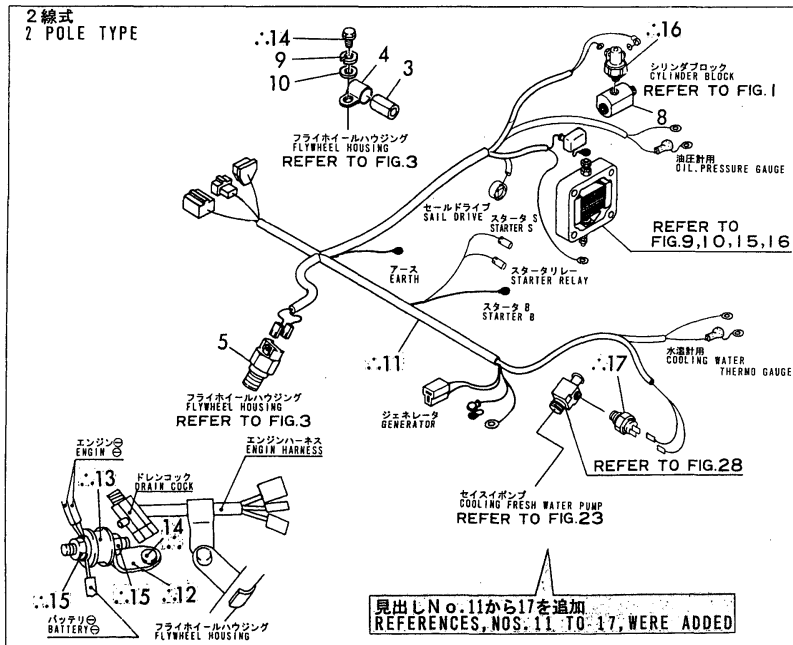
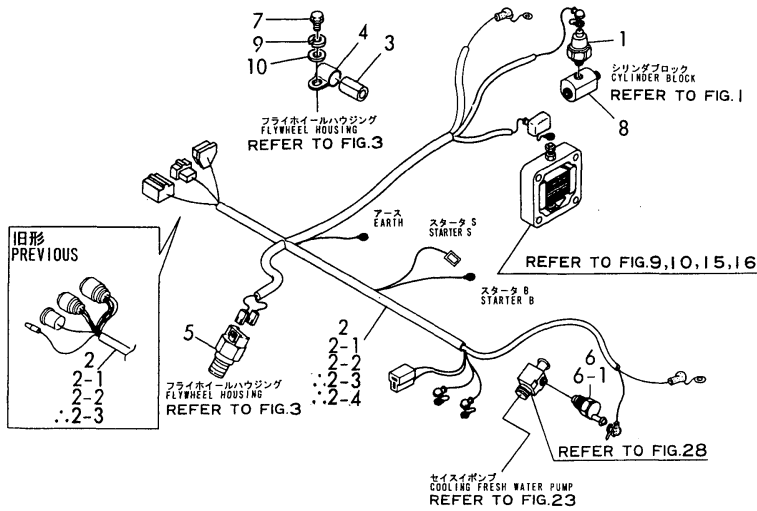


REF.	LEV.	PARTS NO.	DESCRIPTION	QTY						I	R
				(A)	(B)	(C)	(D)	(E)	(F)		
1	1	171078-66551	PIN	1	1	1	1				
2	1	129470-67300	BRACKET	1			1				
2-1	1	129573-67300	BRACKET, SOLENOID		1	1	1				N
				(D=E31796)							
3	1	129470-67310	LINK	1	1	1	1				
4	1	129470-67320	ENGINE STOP SOLENOID	1	1	1	1				
5	1	22117-080000	WASHER 8	2	2	2	2				
6	1	22217-060000	SPRING WASHER 6	2	2	2	2				
7	1	22360-080000	SNAP PIN 8	2	2	2	2				
8	1	26106-060102	BOLT M 6X 10 PLATED	2	2	2	2				
9	1	26106-060202	BOLT M 6X 20 PLATED	1	1	1	1				
10	1	26106-080122	BOLT M 8X 12 PLATED	2	2	2	2				
11	1	124770-49310	RETAINER	1	1	1	1				
12	1	121750-59890	CLAMP 140	1	1	1	1				
13	1	123682-77710	PROTECTOR	1	1	1	1				
14	1	129470-77970	HARNESS L4000	1	1	1	1				
15	1	129470-77980	HARNESS L7000	1	1	1	1				
16	1	124617-91850	RELAY	1	1	1	1				

(A)=4JH2E (D)=4JH2-DTE  
 (B)=4JH2-TE (E)=4JH2-UTE(B)  
 (C)=4JH2-HTE (F)=

Fig.53.WIRE HARNESS & SENSOR(B-2 TYPE)

Fig. 53 ワイヤーハーネス&センサ(B-2 TYPE) WIRE HARNESS & SENSOR



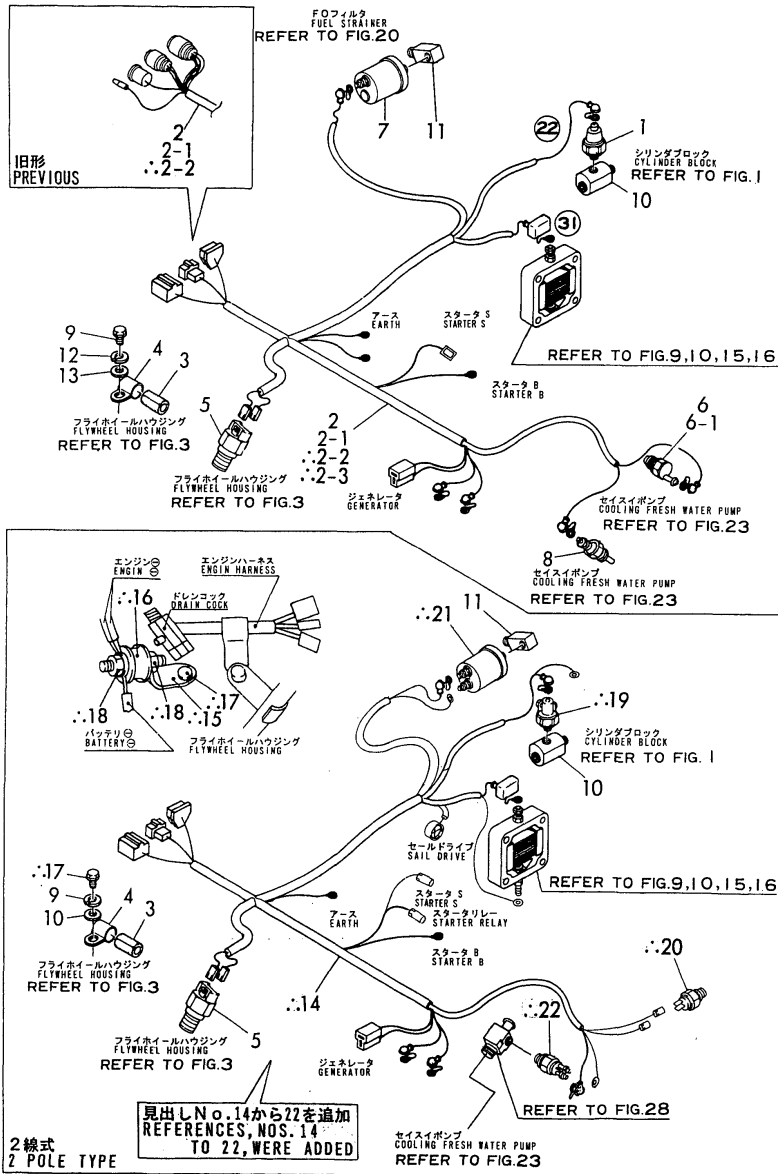
REF.	LEV.	PARTS NO.	DESCRIPTION	QTY						I R
				(A)	(B)	(C)	(D)	(E)	(F)	
1	1	124060-39451	SENDER, OIL PRESSURE	1	1	1	1	1		
2	1	129470-77920	HARNESS, WIRE				1			
2-1	1	129573-77920	HARNESS, WIRE	1	1	1	1	1		S
2-2	1	129573-77930	HARNESS, WIRE	1	1	1	1	1		R
I	2-3	129573-77931	HARNESS, WIRE	1	1	1	1	1		N
I	2-4	129573-77932	HARNESS, WIRE	1	1	1	1	1		S
3	1	124770-77940	PROTECTOR	1	1	1	1	1		
4	1	124070-77950	CLAMP	1	1	1	1	1		
5	1	128170-91160	SENSOR, TACHOMETER	1	1	1	1	1		
6	1	127610-91350	SWITCH, THERMO				1			
6-1	1	120130-91370	SWITCH, THERMO(100C)	1	1	1	1	1		N
7	1	26106-080162	BOLT M 8X 16 PLATED	1	1	1	1	1		
8	1	129470-39600	DAMPER	1	1	1	1	1		
9	1	22217-080000	SPRING WASHER 8	1	1	1	1	1		
10	1	22137-080000	WASHER 8, POLISHED	1	1	1	1	1		
I	11	129570-77820	HARNESS, WIRE	1	1	1	1	1		W 1
I	12	129590-59200	CLAMP	1	1	1	1	1		W 1
I	13	194555-62750	RUBBER, CUSHION	1	1	1	1	1		W 1
I	14	26106-080142	BOLT M 8X 14 PLATED	2	2	2	2	2		W 1
I	15	26716-080002	NUT M 8	2	2	2	2	2		W 1
I	16	126630-91591	SWITCH, OIL PRESSURE	1	1	1	1	1		W 1
I	17	129570-91320	SWITCH, THERMO(108C)	1	1	1	1	1		W 1

Remarks  
 (1) 2POLE TYPE.

(A)=4JH2E (D)=4JH2-DTE  
 (B)=4JH2-TE (E)=4JH2-UTE(B)  
 (C)=4JH2-HTE (F)=

Fig.54.WIRE HARNESS & SENSOR(C,D,E TY

Fig.54 ワイヤーハーネス&センサ(C, D, E TYPE)  
 WIRE HARNESS & SENSOR



REF.	LEV.	PARTS NO.	DESCRIPTION	QTY						I	R
				(A)	(B)	(C)	(D)	(E)	(F)		
1	1	124060-39451	SENDER, OIL PRESSURE	1	1	1	1	1			
2	1	129470-77930	HARNESS, WIRE				1				
2-1	1	129573-77930	HARNESS, WIRE	1	1	1	1	1			S
I	2-2	129573-77931 (A=E06661) (B=E13961) (C=E23085) (D=E31796) (E=E34344)	HARNESS, WIRE	1	1	1	1				N
I	2-3	129573-77932 (A=E07099) (B=E14311) (C=E23261) (D=E34536)	HARNESS, WIRE	1	1	1	1				S
3	1	124770-77940	PROTECTOR	1	1	1	1	1			
4	1	124070-77950	CLAMP	1	1	1	1	1			
5	1	128170-91160	SENSOR, TACHOMETER	1	1	1	1	1			
6	1	127610-91350	SWITCH, THERMO					1			
6-1	1	120130-91370 (D=E31796)	SWITCH, THERMO(100C)	1	1	1	1	1			N
7	1	144626-91560	SENDER UNIT	1	1	1	1	1			
8	1	144626-91570	SENDER UNIT	1	1	1	1	1			
9	1	26106-080162	BOLT M 8X 16 PLATED	1	1	1	1	1			
10	1	129470-39600	DAMPER	1	1	1	1	1			
11	1	123482-39670	DAMPER	1	1	1	1	1			
12	1	22217-080000	SPRING WASHER 8	1	1	1	1	1			
13	1	22137-080000	WASHER 8, POLISHED	1	1	1	1	1			
I	14	129570-77820 (A=E07940) (B=E14619) (C=E23484) (D=E34965)	HARNESS, WIRE	1	1	1	1	1			W
I	15	129590-59200 (A=E07940) (B=E14619) (C=E23484) (D=E34965)	CLAMP	1	1	1	1	1			W
I	16	194555-62750 (A=E07940) (B=E14619) (C=E23484) (D=E34965)	RUBBER, CUSHION	1	1	1	1	1			W
I	17	26106-080142 (A=E07940) (B=E14619) (C=E23484) (D=E34965)	BOLT M 8X 14 PLATED	2	2	2	2	2			W
I	18	26716-080002 (A=E07940) (B=E14619) (C=E23484) (D=E34965)	NUT M 8	2	2	2	2	2			W
I	19	126630-91591 (A=E07940) (B=E14619) (C=E23484) (D=E34965)	SWITCH,OIL PRESSURE	1	1	1	1	1			W
I	20	129570-91320 (A=E07940) (B=E14619) (C=E23484) (D=E34965)	SWITCH, THERMO(108C)	1	1	1	1	1			W
I	21	126630-91560 (A=E07940) (B=E14619) (C=E23484) (D=E34965)	SENDER UNIT	1	1	1	1	1			W
I	22	126630-91570 (A=E07940) (B=E14619) (C=E23484) (D=E34965)	SENDER UNIT	1	1	1	1	1			W

Remarks  
 (1) 2POLE TYPE.

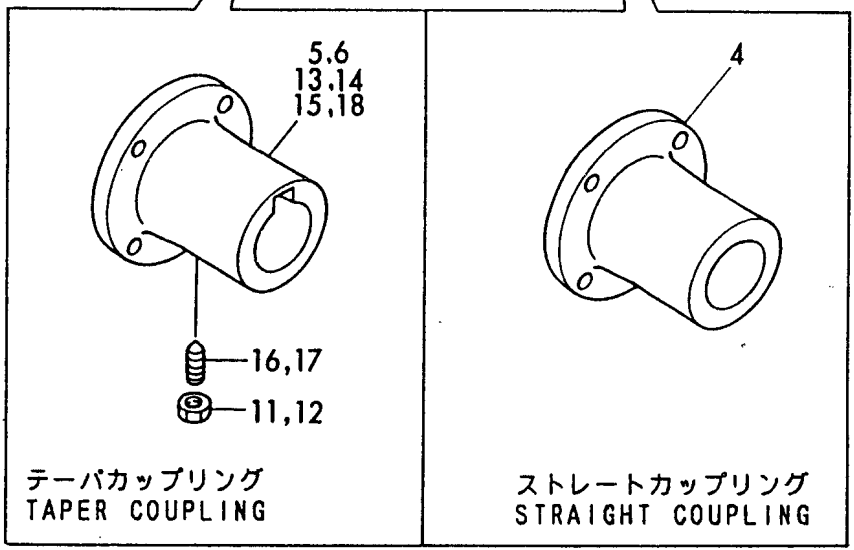
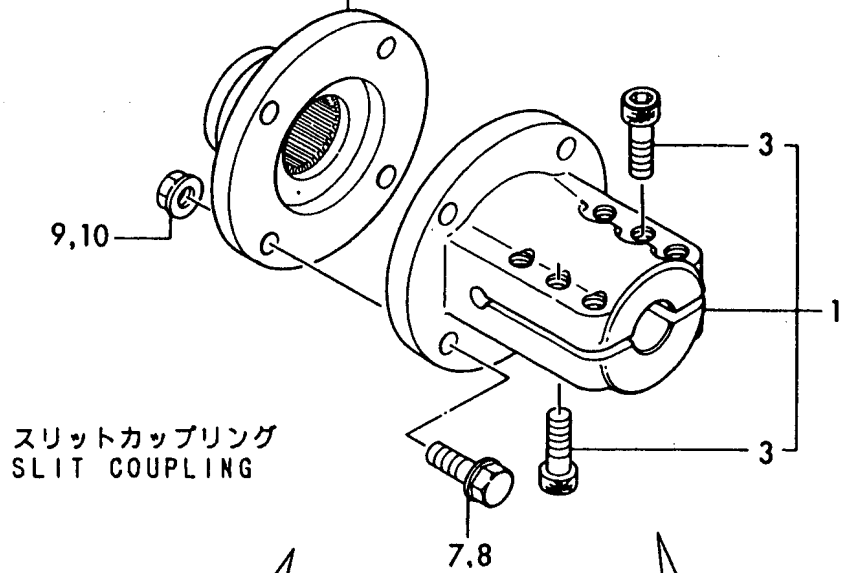
Fig.55.COUPLING

(A)=4JH2E (D)=4JH2-DTE  
 (B)=4JH2-TE (E)=4JH2-UTE(B)  
 (C)=4JH2-HTE (F)=

Fig. 55 カップリング  
 COUPLING

REF.	LEV.	PARTS NO.	DESCRIPTION	QTY						I	R
				(A)	(B)	(C)	(D)	(E)	(F)		
1	1	129470-83750	COUPLING	1	1	1	1	1			
3	2	26450-120402	BOLT M12X 40	6	6	6	6	6			
4	1	129470-85900	COUPLING	1	1	1	1	1			
5	1	129473-85900	COUPLING			1	1	1			1
6	1	129473-85910	COUPLING					1	1		2
7	1	26106-100322	BOLT M10X 32 PLATED			4	4	4			
8	1	26106-100322	BOLT M10X 32 PLATED	4	4	4	4	4			
9	1	26706-100002	NUT M10			4	4	4			
10	1	26706-100002	NUT M10	4	4	4	4	4			
11	1	26756-080002	LOCK NUT M 8 PLATED			1	1	1			
12	1	26756-080002	LOCK NUT M 8 PLATED	1	1	1	1	1			
13	1	48110-028070	COUPLING	1	1						3
14	1	48110-030061	COUPLING	1		1					4
15	1	48110-032065	COUPLING 32	1	1		1	1			5
16	1	48110-032411	SCREW			1	1	1			
17	1	48110-032411	SCREW	1	1	1	1	1			
18	1	48110-034071	COUPLING 34	1	1	1	1	1			6

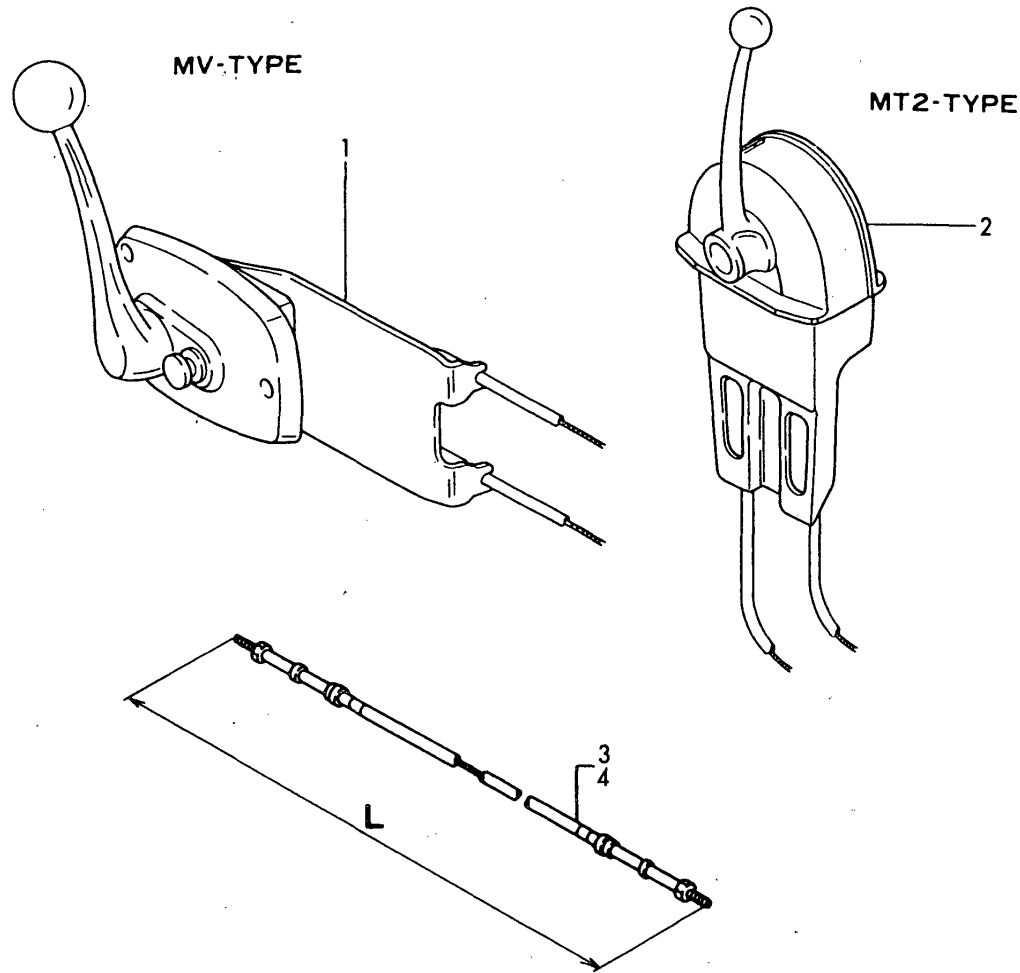
REFER TO FIG.69,77,84



(A)=4JH2E (D)=4JH2-DTE  
 (B)=4JH2-TE (E)=4JH2-UTE(B)  
 (C)=4JH2-HTE (F)=

Fig.56.SINGLE LEVER CONTROL

Fig. **56** シングルレバーコントロール  
 SINGLE LEVER CONTROL

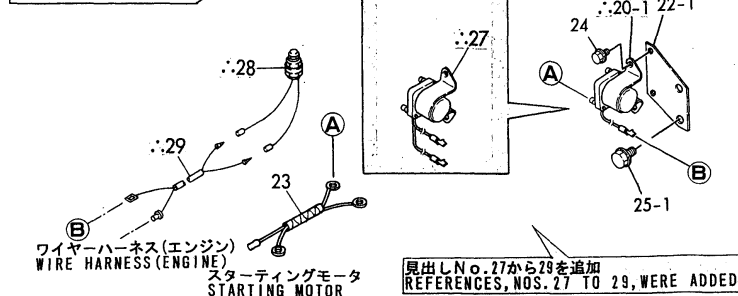
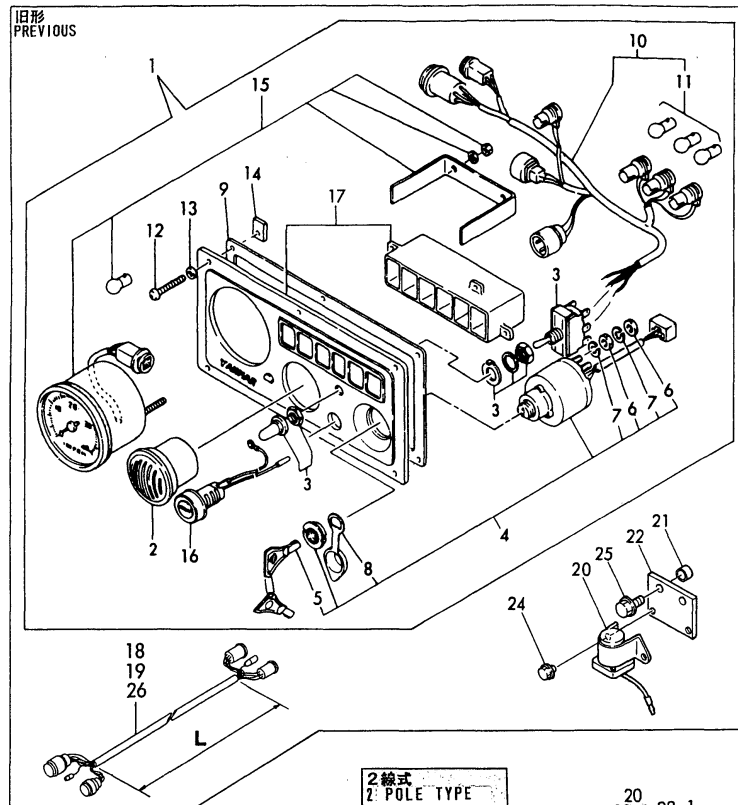


REF.	LEV.	PARTS NO.	DESCRIPTION	QTY						I	R
				(A)	(B)	(C)	(D)	(E)	(F)		
1	1	128170-86500	MOUNT	1	1	1	1	1			
2	1	41730-000680	HEAD, REMOTE-CONTROL	1	1	1	1	1			
3	1	129470-86500	CABLE,REMO-CON.(7M)	2	2	2	2	2			
4	1	41710-000380	CABLE L=4000	2	2	2	2	2			

(A)=4JH2E (D)=4JH2-DTE  
 (B)=4JH2-TE (E)=4JH2-UTE(B)  
 (C)=4JH2-HTE (F)=

Fig.57.INSTRUMENT PANEL(B-2 TYPE)

Fig.57 ケイキパン(B-2タイプ)  
 INSTRUMENT PANEL (B-2 TYPE)



ワイヤーハーネス(エンジン)  
 WIRE HARNESS(ENGINE)  
 スターティングモータ  
 STARTING MOTOR

見出しNo.27から29を追加  
 REFERENCES,NOS.27 TO 29,WERE ADDED

Remarks  
 (1) THE NEW PANEL TYPE IS 129574  
 -91130 SHOWN IN FIG 57A.  
 (2) OPTIONAL : 2POLE TYPE.

REF.	LEV.	PARTS NO.	DESCRIPTION	QTY						I	R	
				(A)	(B)	(C)	(D)	(E)	(F)			
I	1	124411-91190 (A=E07099)	PANEL ASSY, INSTRUM (B=E14311) (C=E23261) (D=E34536)	1	1	1	1	1	1		Z	1
I	2	104271-91351 (A=E07099)	BUZZER (B=E14311) (C=E23261) (D=E34536)	1	1	1	1	1	1		Z	1
I	3	128170-91310 (A=E07099)	SWITCH, LAMP (B=E14311) (C=E23261) (D=E34536)	1	1	1	1	1	1		Z	1
I	4	127412-91250 (A=E07099)	SWITCH W/KEY (B=E14311) (C=E23261) (D=E34536)	1	1	1	1	1	1		Z	1
I	5	123482-91291 (A=E07099)	KEY, SWITCH (B=E14311) (C=E23261) (D=E34536)	1	1	1	1	1	1		Z	1
I	6	26716-050002 (A=E07099)	NUT M 5 (B=E14311) (C=E23261) (D=E34536)	10	10	10	10	10	10		Z	1
I	7	22217-050000 (A=E07099)	SPRING WASHER 5 (B=E14311) (C=E23261) (D=E34536)	10	10	10	10	10	10		Z	1
I	8	127620-91820 (A=E07099)	COVER (B=E14311) (C=E23261) (D=E34536)	1	1	1	1	1	1		Z	1
I	9	128170-91020 (A=E07099)	GASKET (B=E14311) (C=E23261) (D=E34536)	1	1	1	1	1	1		Z	1
I	10	128170-91031 (A=E07099)	HARNES, WIRE (B=E14311) (C=E23261) (D=E34536)	1	1	1	1	1	1		Z	1
I	11	194151-55820 (A=E07099)	BULB 12V-3.4W (B=E14311) (C=E23261) (D=E34536)	3	3	3	3	3	3		Z	1
I	12	128170-91810 (A=E07099)	SCREW M5 (B=E14311) (C=E23261) (D=E34536)	6	6	6	6	6	6		Z	1
I	13	128170-91820 (A=E07099)	WASHER 5 (B=E14311) (C=E23261) (D=E34536)	6	6	6	6	6	6		Z	1
I	14	128170-91830 (A=E07099)	PLATE NUT M5 (B=E14311) (C=E23261) (D=E34536)	6	6	6	6	6	6		Z	1
I	15	128696-91100 (A=E07099)	TACHOMETER (B=E14311) (C=E23261) (D=E34536)	1	1	1	1	1	1		Z	1
I	16	129470-91190 (A=E07099)	STOPPER (B=E14311) (C=E23261) (D=E34536)	1	1	1	1	1	1		Z	1
I	17	124411-91010 (A=E07099)	BODY, PANEL (B=E14311) (C=E23261) (D=E34536)	1	1	1	1	1	1		Z	1
I	18	129772-77500 (A=E07099)	HARNES, WIRE(3.8M) (B=E14311) (C=E23261) (D=E34536)	1	1	1	1	1	1		Z	1
I	19	129470-77530 (A=E07099)	HARNES, WIRE(5.8M) (B=E14311) (C=E23261) (D=E34536)	1	1	1	1	1	1		Z	1
I	20	129100-77910 (A=*1988.08)	RELAY, MAGNETIC (B=*1988.08) (C=*1988.08) (D=E31796)	1	1	1	1	1	1		W	
I	20-1	129490-77910 (A=E07940)	RELAY, STARTER (B=E14619) (C=E23484) (D=E34965)	1	1	1	1	1	1		S	
I	21	129301-34830 (A=*1988.08)	SPACER (B=*1988.08) (C=*1988.08) (D=E31796)	2	2	2	2	2	2		W	
I	21-1	129301-34830 (A=*1989.04)	SPACER (B=*1989.04) (C=*1989.04) (D=*1989.04)	2	2	2	2	2	2		Z	
I	22	129573-77950 (A=*1988.08)	BRACKET (B=*1988.08) (C=*1988.08) (D=E31796)	1	1	1	1	1	1		W	
I	22-1	129573-77951 (A=*1989.04)	BRACKET (B=*1989.04) (C=*1989.04) (D=*1989.04)	1	1	1	1	1	1		N	
I	23	129573-77960 (A=*1988.08)	HARNES, WIRE (B=*1988.08) (C=*1988.08) (D=E31796)	1	1	1	1	1	1		W	
I	24	26106-060102 (A=*1988.08)	BOLT M 6X 10 PLATED (B=*1988.08) (C=*1988.08) (D=E31796)	2	2	2	2	2	2		W	

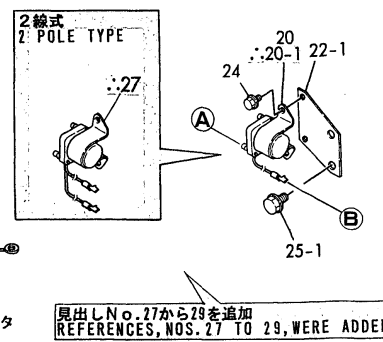
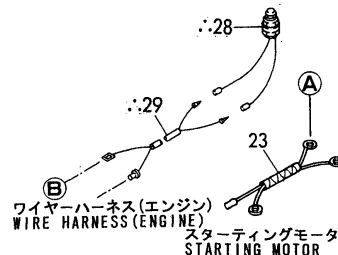
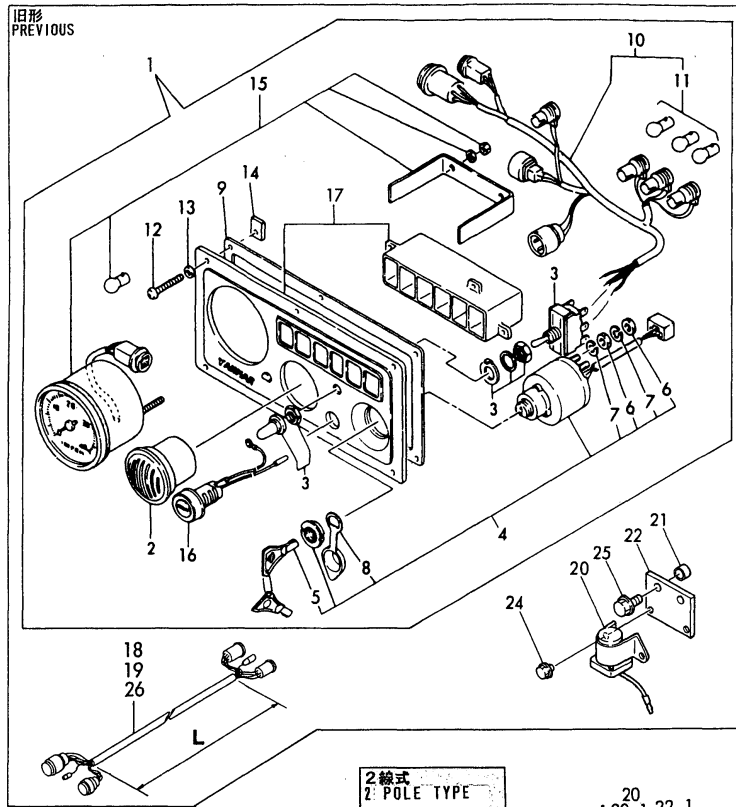
++ CONTINUE ++



Fig.57.INSTRUMENT PANEL(B-2 TYPE)

(A)=4JH2E (D)=4JH2-DTE  
 (B)=4JH2-TE (E)=4JH2-UTE(B)  
 (C)=4JH2-HTE (F)=

Fig.57 ケイキパン(B-2タイプ)  
 INSTRUMENT PANEL (B-2 TYPE)



∴印が今回変更(追記)した箇所です。  
 ∴MARKED PART HAS BEEN CHANGED(ADDED).

見出しNo.27から29を追加  
 REFERENCES,NOS.27 TO 29,WERE ADDED

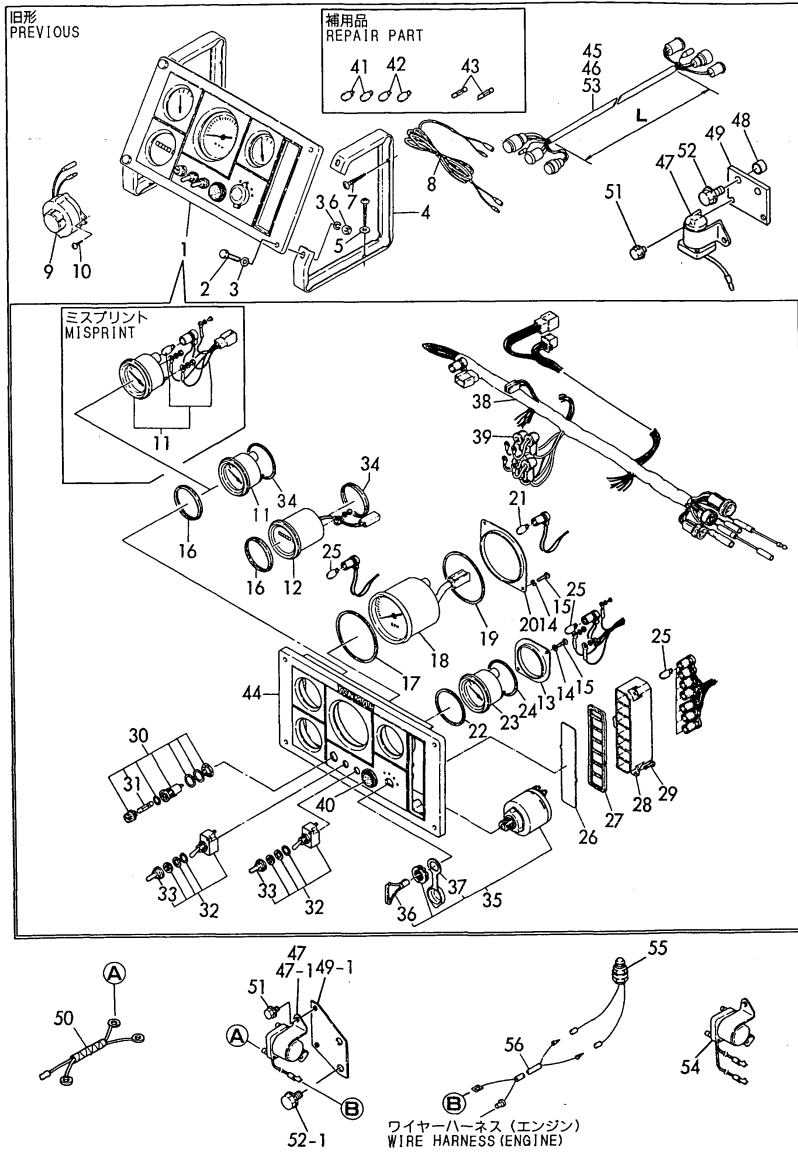
Remarks  
 (1) THE NEW PANEL TYPE IS 129574  
 -91130 SHOWN IN FIG 57A.  
 (2) OPTIONAL : 2POLE TYPE.

REF.	LEV.	PARTS NO.	DESCRIPTION	QTY						I	R
				(A)	(B)	(C)	(D)	(E)	(F)		
25	1	26106-100252 (A=*1988.08) (B=*1988.08)	BOLT M10X 25 PLATED (C=*1988.08) (D=E31796)	2	2	2	2	2	2		W
25-1	1	26106-100162 (A=*1989.04) (B=*1989.04)	BOLT M10X 16 PLATED (C=*1989.04) (D=*1989.04)	2	2	2	2	2	2		N
I 26	1	129470-77530 (A=*1989.04) (B=*1989.04)	HARNES, WIRE(5.8M) (C=*1989.04) (D=*1989.04)	1	1	1	1	1	1		W
I 26-1	1	129470-77530 (A=E07099) (B=E14311)	HARNES, WIRE(5.8M) (C=E23261) (D=E34536)	1	1	1	1	1	1		Z 1
I 27	1	129570-77920 (A=E07940) (B=E14619)	STARTER RELAY (C=E23484) (D=E34965)	1	1	1	1	1	1		W 2
I 28	1	120270-77101 (A=E07940) (B=E14619)	SWITCH (C=E23484) (D=E34965)	1	1	1	1	1	1		W
I 29	1	129570-77960 (A=E07940) (B=E14619)	HARNES, WIRE (C=E23484) (D=E34965)	1	1	1	1	1	1		W

(A)=4JH2E (D)=4JH2-DTE  
 (B)=4JH2-TE (E)=4JH2-UTE(B)  
 (C)=4JH2-HTE (F)=

Fig.58.INSTRUMENT PANEL(C-TYPE)

Fig. 58 計器盤 (Cタイプ)  
 INSTRUMENT PANEL (C-TYPE)



Remarks  
 (1) THE NEW PANEL TYPE IS 129574  
 -91160 SHOWN IN FIG 58A.  
 (2) 2POLE TYPE.

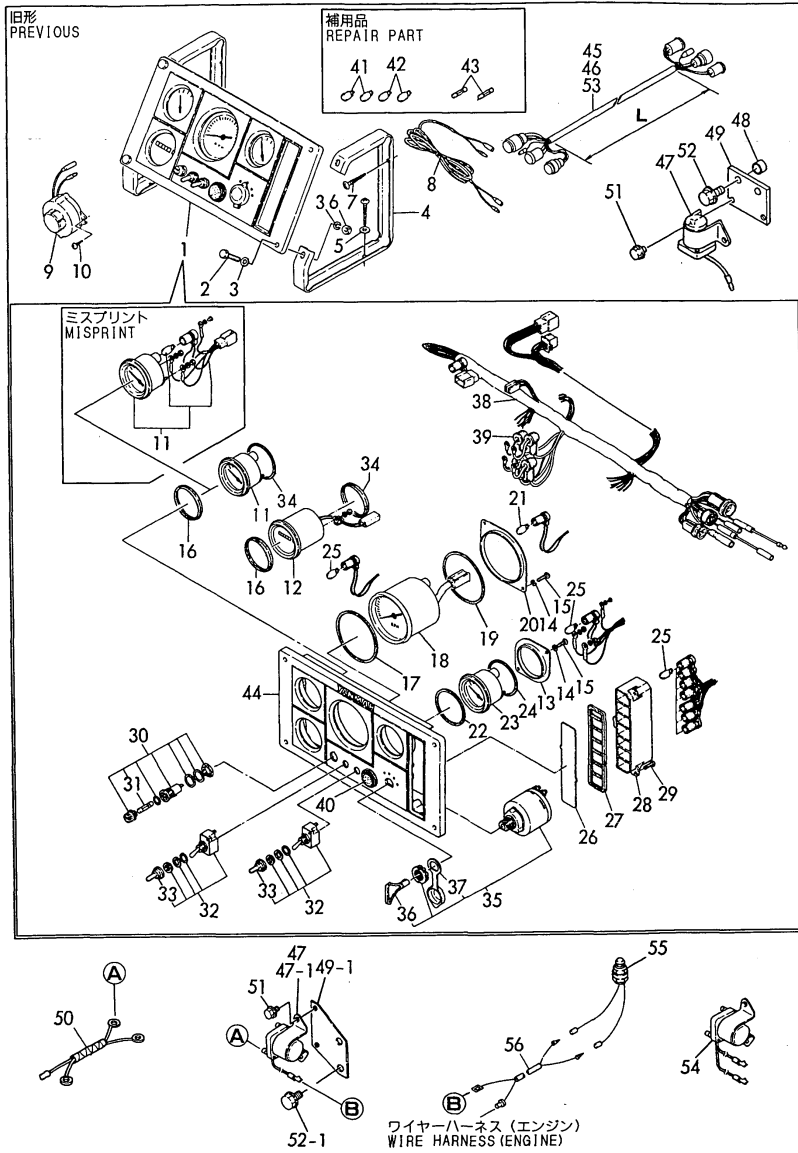
REF.	LEV.	PARTS NO.	DESCRIPTION	QTY						I	R	
				(A)	(B)	(C)	(D)	(E)	(F)			
I	1	129470-91100 (A=E07099)	PANEL ASSY, INSTRUM (B=E14311) (C=E23261) (D=E34536)	1	1	1	1	1	1		Z	1
I	2	127620-91500 (A=E07099)	SCREW (B=E14311) (C=E23261) (D=E34536)	4	4	4	4	4	4		Z	1
I	3	127620-91510 (A=E07099)	WASHER (B=E14311) (C=E23261) (D=E34536)	8	8	8	8	8	8		Z	1
I	4	127410-91680 (A=E07099)	BRACKET, PANEL (B=E14311) (C=E23261) (D=E34536)	2	2	2	2	2	2		Z	1
I	5	127620-91560 (A=E07099)	WASHER (B=E14311) (C=E23261) (D=E34536)	4	4	4	4	4	4		Z	1
I	6	127620-91550 (A=E07099)	NUT (B=E14311) (C=E23261) (D=E34536)	4	4	4	4	4	4		Z	1
I	7	127620-91570 (A=E07099)	SCREW (B=E14311) (C=E23261) (D=E34536)	4	4	4	4	4	4		Z	1
I	8	127620-91580 (A=E07099)	WIRE (B=E14311) (C=E23261) (D=E34536)	1	1	1	1	1	1		Z	1
I	9	124617-91900 (A=E07099)	BUZZER (B=E14311) (C=E23261) (D=E34536)	1	1	1	1	1	1		Z	1
I	10	22717-410160 (A=E07099)	SCREW 4.1X16 (B=E14311) (C=E23261) (D=E34536)	2	2	2	2	2	2		Z	1
I	11	129470-91160 (A=E07099)	GAUGE, OIL PRESSURE (B=E14311) (C=E23261) (D=E34536)	1	1	1	1	1	1		Z	1
I	12	157854-04300 (A=E07099)	HOUR METER (B=E14311) (C=E23261) (D=E34536)	1	1	1	1	1	1		Z	1
I	13	127410-91510 (A=E07099)	BRACKET (B=E14311) (C=E23261) (D=E34536)	3	3	3	3	3	3		Z	1
I	14	127410-91520 (A=E07099)	WASHER (B=E14311) (C=E23261) (D=E34536)	8	8	8	8	8	8		Z	1
I	15	127410-91530 (A=E07099)	SCREW (B=E14311) (C=E23261) (D=E34536)	8	8	8	8	8	8		Z	1
I	16	127410-91580 (A=E07099)	PACKING, RUBBER (B=E14311) (C=E23261) (D=E34536)	2	2	2	2	2	2		Z	1
I	17	127410-91550 (A=E07099)	GASKET, RUBBER (B=E14311) (C=E23261) (D=E34536)	1	1	1	1	1	1		Z	1
I	18	129470-91170 (A=E07099)	TACHOMETER (B=E14311) (C=E23261) (D=E34536)	1	1	1	1	1	1		Z	1
I	19	127410-91560 (A=E07099)	GASKET, RUBBER (B=E14311) (C=E23261) (D=E34536)	1	1	1	1	1	1		Z	1
I	20	127410-91570 (A=E07099)	BRACKET (B=E14311) (C=E23261) (D=E34536)	1	1	1	1	1	1		Z	1
I	21	124617-91920 (A=E07099)	BULB (B=E14311) (C=E23261) (D=E34536)	1	1	1	1	1	1		Z	1
I	22	127410-91580 (A=E07099)	PACKING, RUBBER (B=E14311) (C=E23261) (D=E34536)	1	1	1	1	1	1		Z	1
I	23	124617-91840 (A=E07099)	THERMOMETER (B=E14311) (C=E23261) (D=E34536)	1	1	1	1	1	1		Z	1
I	24	127410-91590 (A=E07099)	PACKING (B=E14311) (C=E23261) (D=E34536)	1	1	1	1	1	1		Z	1
I	25	124617-91980 (A=E07099)	BULB (B=E14311) (C=E23261) (D=E34536)	6	6	6	6	6	6		Z	1
I	26	127410-91600 (A=E07099)	LENS (B=E14311) (C=E23261) (D=E34536)	1	1	1	1	1	1		Z	1
I	27	127410-91610 (A=E07099)	RETAINER (B=E14311) (C=E23261) (D=E34536)	1	1	1	1	1	1		Z	1

++ CONTINUE ++

(A)=4JH2E (D)=4JH2-DTE  
 (B)=4JH2-TE (E)=4JH2-UTE(B)  
 (C)=4JH2-HTE (F)=

Fig.58.INSTRUMENT PANEL(C-TYPE)

Fig. 58 計器盤 (Cタイプ)  
 INSTRUMENT PANEL (C-TYPE)



Remarks  
 (1) THE NEW PANEL TYPE IS 129574  
 -91160 SHOWN IN FIG 58A.  
 (2) 2POLE TYPE.

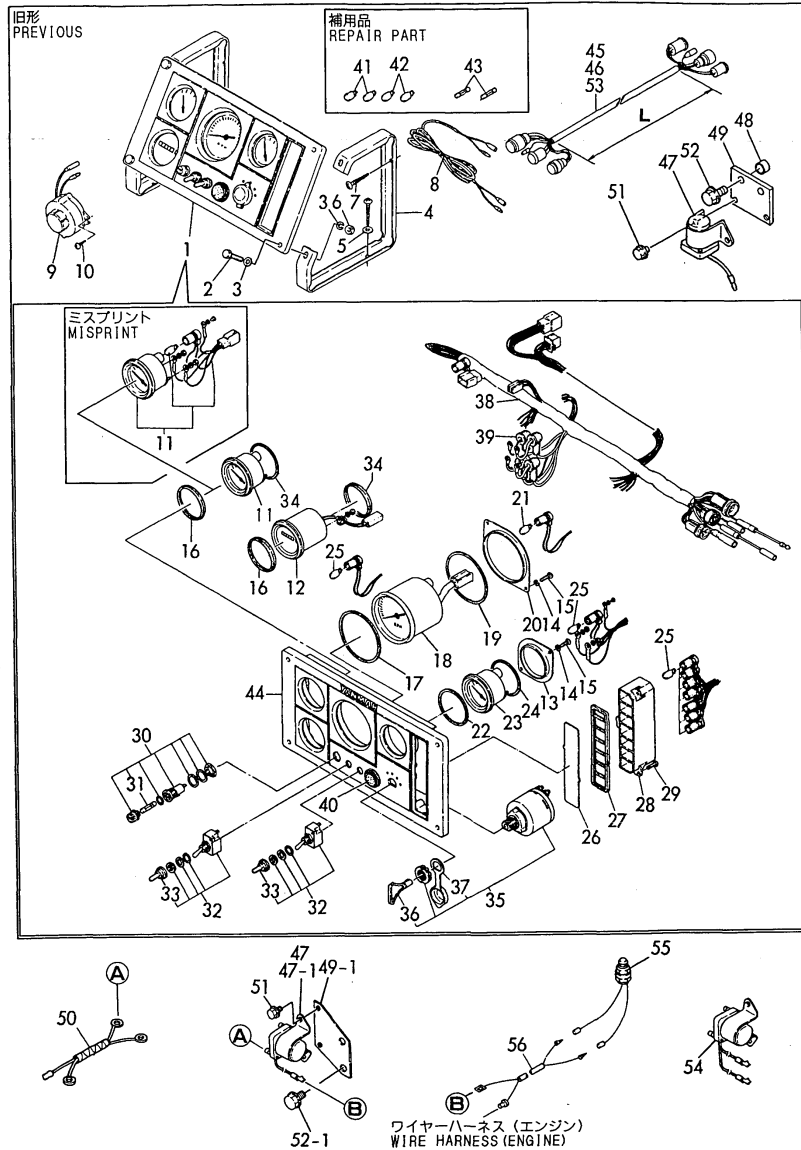
REF.	LEV.	PARTS NO.	DESCRIPTION	QTY						I	R	
				(A)	(B)	(C)	(D)	(E)	(F)			
I	28	2 127410-91620 (A=E07099)	BODY, PILOT BOX (B=E14311) (C=E23261) (D=E34536)	1	1	1	1	1	1		Z	1
I	29	2 127410-91630 (A=E07099)	SCREW (B=E14311) (C=E23261) (D=E34536)	3	3	3	3	3	3		Z	1
I	30	2 46150-003610 (A=E07099)	BOX, FUSE (B=E14311) (C=E23261) (D=E34536)	1	1	1	1	1	1		Z	1
I	31	3 124617-91990 (A=E07099)	FUSE (3A) (B=E14311) (C=E23261) (D=E34536)	3	3	3	3	3	3		Z	1
I	32	2 127620-91790 (A=E07099)	SWITCH (B=E14311) (C=E23261) (D=E34536)	2	2	2	2	2	2		Z	1
I	33	3 127620-91780 (A=E07099)	CAP (B=E14311) (C=E23261) (D=E34536)	2	2	2	2	2	2		Z	1
I	34	2 127410-91590 (A=E07099)	PACKING (B=E14311) (C=E23261) (D=E34536)	2	2	2	2	2	2		Z	1
I	35	2 121575-91250 (A=E07099)	SWITCH W/KEY (B=E14311) (C=E23261) (D=E34536)	1	1	1	1	1	1		Z	1
I	36	3 123482-91291 (A=E07099)	KEY, SWITCH (B=E14311) (C=E23261) (D=E34536)	2	2	2	2	2	2		Z	1
I	37	3 127620-91820 (A=E07099)	COVER (B=E14311) (C=E23261) (D=E34536)	1	1	1	1	1	1		Z	1
I	38	2 129470-91150 (A=E07099)	HARNESS, WIRE (B=E14311) (C=E23261) (D=E34536)	1	1	1	1	1	1		Z	1
I	39	2 127620-91830 (A=E07099)	CAP (B=E14311) (C=E23261) (D=E34536)	4	4	4	4	4	4		Z	1
I	40	2 129470-91190 (A=E07099)	STOPPER (B=E14311) (C=E23261) (D=E34536)	1	1	1	1	1	1		Z	1
I	41	2 124617-91980 (A=E07099)	BULB (B=E14311) (C=E23261) (D=E34536)	2	2	2	2	2	2		Z	1
I	42	2 124617-91920 (A=E07099)	BULB (B=E14311) (C=E23261) (D=E34536)	2	2	2	2	2	2		Z	1
I	43	2 124617-91990 (A=E07099)	FUSE (3A) (B=E14311) (C=E23261) (D=E34536)	2	2	2	2	2	2		Z	1
I	44	2 129470-91180 (A=E07099)	BODY, PANEL(C-TYPE) (B=E14311) (C=E23261) (D=E34536)	1	1	1	1	1	1		Z	1
I	45	1 129470-77540 (A=E07099)	WIRE,EXTENSION L5800 (B=E14311) (C=E23261) (D=E34536)	1	1	1	1	1	1		Z	1
I	46	1 129470-77500 (A=E07099)	WIRE,EXTENSION L3800 (B=E14311) (C=E23261) (D=E34536)	1	1	1	1	1	1		Z	1
I	47	1 129100-77910 (A=*1988.08)	RELAY, MAGNETIC (B=*1988.08) (C=*1988.08) (D=E31796)	1	1	1	1	1	1		W	
I	47-1	1 129490-77910 (A=E07940)	RELAY, STARTER (B=E14619) (C=E23484) (D=E34965)	1	1	1	1	1	1		S	
I	48	1 129301-34830 (A=*1988.08)	SPACER (B=*1988.08) (C=*1988.08) (D=E31796)	2	2	2	2	2	2		W	
I	48-1	1 129301-34830 (A=*1989.04)	SPACER (B=*1989.04) (C=*1989.04) (D=*1989.04)	2	2	2	2	2	2		Z	
I	49	1 129573-77950 (A=*1988.08)	BRACKET (B=*1988.08) (C=*1988.08) (D=E31796)	1	1	1	1	1	1		W	
I	49-1	1 129573-77951 (A=*1989.04)	BRACKET (B=*1989.04) (C=*1989.04) (D=*1989.04)	1	1	1	1	1	1		N	
I	50	1 129573-77960 (A=*1988.08)	HARNESS, WIRE (B=*1988.08) (C=*1988.08) (D=E31796)	1	1	1	1	1	1		W	
I	51	1 26106-060102 (A=*1988.08)	BOLT M 6X 10 PLATED (B=*1988.08) (C=*1988.08) (D=E31796)	2	2	2	2	2	2		W	

++ CONTINUE ++

(A)=4JH2E (D)=4JH2-DTE  
 (B)=4JH2-TE (E)=4JH2-UTE(B)  
 (C)=4JH2-HTE (F)=

Fig.58.INSTRUMENT PANEL(C-TYPE)

Fig. 58 計器盤 (Cタイプ)  
 INSTRUMENT PANEL (C-TYPE)



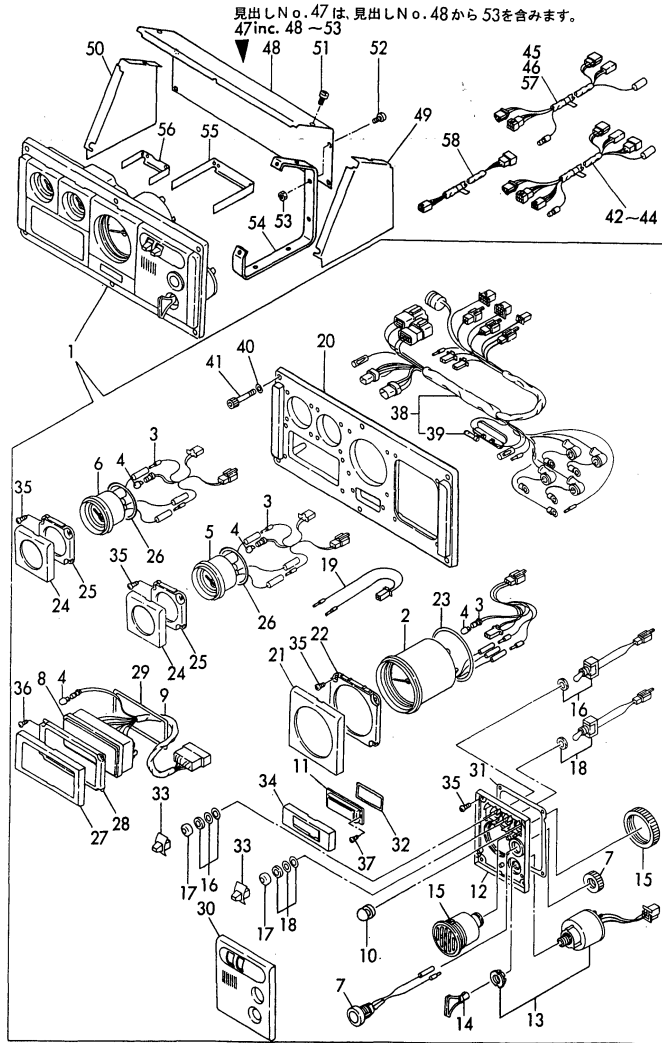
REF.	LEV.	PARTS NO.	DESCRIPTION	QTY						I	R
				(A)	(B)	(C)	(D)	(E)	(F)		
52	1	26106-100252 (A=*1988.08) (B=*1988.08)	BOLT M10X 25 PLATED (C=*1988.08) (D=E31796)	2	2	2	2	2	2		W
52-1	1	26106-100162 (A=*1989.04) (B=*1989.04)	BOLT M10X 16 PLATED (C=*1989.04) (D=*1989.04)	2	2	2	2	2	2		N
53	1	129470-77530 (A=*1989.04) (B=*1989.04)	HARNESS, WIRE(5.8M) (C=*1989.04) (D=*1989.04)	1	1	1	1	1	1		W
I 53-1	1	129470-77530 (A=E07099) (B=E14311)	HARNESS, WIRE(5.8M) (C=E23261) (D=E34536)	1	1	1	1	1	1		Z 1
I 54	1	129570-77920 (A=E07940) (B=E14619)	STARTER RELAY (C=E23484) (D=E34965)	1	1	1	1	1	1		W 2
I 55	1	120270-77101 (A=E07940) (B=E14619)	SWITCH (C=E23484) (D=E34965)	1	1	1	1	1	1		W
I 56	1	129570-77960 (A=E07940) (B=E14619)	HARNESS, WIRE (C=E23484) (D=E34965)	1	1	1	1	1	1		W

Remarks  
 (1) THE NEW PANEL TYPE IS 129574  
 -91160 SHOWN IN FIG 58A.  
 (2) 2POLE TYPE.

Fig.94.(58A)INSTRUMENT PANEL(C-TYPE,NEW)

(A)=4JH2E (D)=4JH2-DTE  
 (B)=4JH2-TE (E)=4JH2-UTE(B)  
 (C)=4JH2-HTE (F)=

Fig. **58A** パネルC (シンガタ)  
 PANEL C (NEW)



Remarks

- (1) USE IT WHEN MOUNTING THE NEW TYPE PANEL ON THE (OLD TYPE) WIRE HARNESS FOR ENGINE.
- (2) USE IT WHEN MOUNTING THE OLD TYPE PANEL ON THE (NEW TYPE) WIRE HARNESS FOR ENGINE.
- (3) NOT NEEDED WHEN MOUNTING ON THE SIDE.

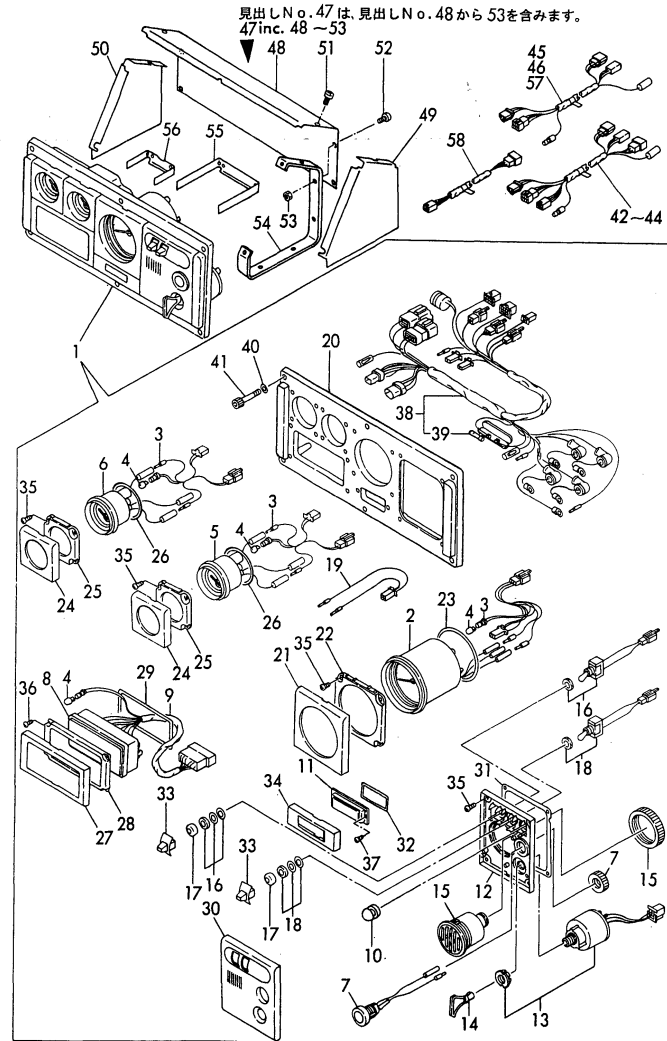
REF.	LEV.	PARTS NO.	DESCRIPTION	QTY						I	R
				(A)	(B)	(C)	(D)	(E)	(F)		
1	1	129574-91160 (A=E07099) (B=E14311)	PANEL ASSY, INSTRUM (C=E23261) (D=E34536) (E=E40733)	1	1	1	1	1	1		W
2	2	129574-91200	METER, TACHO./HOUR	1	1	1	1	1			
3	2	129574-91870	WIRE	3	3	3	3	3			
4	2	124617-91980	BULB	8	8	8	8	8			
5	2	129574-91210	METER	1	1	1	1	1			
6	2	129574-91220	METER	1	1	1	1	1			
7	2	129470-91190	STOPPER	1	1	1	1	1			
8	2	129170-91260	BOX ASSY. LAMP	1	1	1	1	1			
9	2	129170-91860	WIRE W/BULB	1	1	1	1	1			
10	2	129170-91810	BLIND	1	1	1	1	1			
11	2	129170-91650	COVER	1	1	1	1	1			
12	2	129574-91410	BRACKET	1	1	1	1	1			
13	2	121575-91250	SWITCH W/KEY	1	1	1	1	1			
14	2	123482-91291	KEY, SWITCH	1	1	1	1	1			
15	2	104271-91352	BUZZER	1	1	1	1	1			
16	2	129170-91800	SWITCH	1	1	1	1	1			
17	2	129574-91780	CAP	2	2	2	2	2			
18	2	129574-91790	SWITCH	1	1	1	1	1			
19	2	129170-91890	WIRE	1	1	1	1	1			
20	2	129170-91930	PANEL	1	1	1	1	1			
21	2	129574-91620	COVER	1	1	1	1	1			
22	2	129574-91420	BRACKET	1	1	1	1	1			
23	2	129574-91720	GASKET	1	1	1	1	1			
24	2	129574-91630	COVER	2	2	2	2	2			
25	2	129574-91430	BRACKET	2	2	2	2	2			
26	2	129574-91730	GASKET	2	2	2	2	2			
27	2	129574-91640	COVER	1	1	1	1	1			
28	2	129574-91440	BRACKET	1	1	1	1	1			
29	2	129574-91740	GASKET	1	1	1	1	1			
30	2	129170-91610	COVER	1	1	1	1	1			
31	2	129574-91710	GASKET	1	1	1	1	1			
32	2	129574-91750	GASKET	1	1	1	1	1			
33	2	129574-91770	KNOB	2	2	2	2	2			
34	2	129574-91650	COVER	1	1	1	1	1			
35	2	127692-91410	SCREW	16	16	16	16	16			
36	2	127692-91440	SCREW	4	4	4	4	4			
37	2	127692-91450	SCREW	2	2	2	2	2			
38	2	129170-91850	HARNESS, WIRE	1	1	1	1	1			
39	3	124617-91990	FUSE (3A)	1	1	1	1	1			
40	2	127687-91880	WASHER	6	6	6	6	6			
41	2	127687-91870	BOLT 6X 35	6	6	6	6	6			
42	1	129574-77700	HARNESS, WIRE(3M)	1	1	1	1	1			
43	1	129574-77710	HARNESS, WIRE(4M)	1	1	1	1	1			
44	1	129574-77720	HARNESS, WIRE(6M)	1	1	1	1	1			
45	1	129574-77850	HARNESS ADAPTER 12V	1	1	1	1	1			1
46	1	129574-77860	HARNESS ADAPTER 12V	1	1	1	1	1			2
47	1	120324-91900	COVER, PANEL	1	1	1	1	1			
48	2	120324-91950	COVER	1	1	1	1	1			
49	2	129574-91960	COVER	1	1	1	1	1			
50	2	129574-91970	COVER	1	1	1	1	1			
51	2	26559-060122	SCREW	2	2	2	2	2			
52	2	26556-060122	SCREW M 6X12	4	4	4	4	4			3
53	2	26716-060002	NUT 6	4	4	4	4	4			3

++ CONTINUE ++

(A)=4JH2E (D)=4JH2-DTE  
 (B)=4JH2-TE (E)=4JH2-UTE(B)  
 (C)=4JH2-HTE (F)=

Fig.94.(58A)INSTRUMENT PANEL(C-TYPE,NEW)

Fig. **58A** パネルC (シンガタ)  
 PANEL C (NEW)



REF.	LEV.	PARTS NO.	DESCRIPTION	QTY						I	R
				(A)	(B)	(C)	(D)	(E)	(F)		
54	1	129574-91530	BRACKET, PANEL	2	2	2	2	2			
55	1	129574-91540	BRACKET, TACHOMETER	1	1	1	1	1			
56	1	129574-91550	BRACKET, METER	1	1	1	1	1			
57	1	127692-91700	HARNESS	1	1	1	1	1			
58	1	127692-91710	HARNESS	1	1	1	1	1			

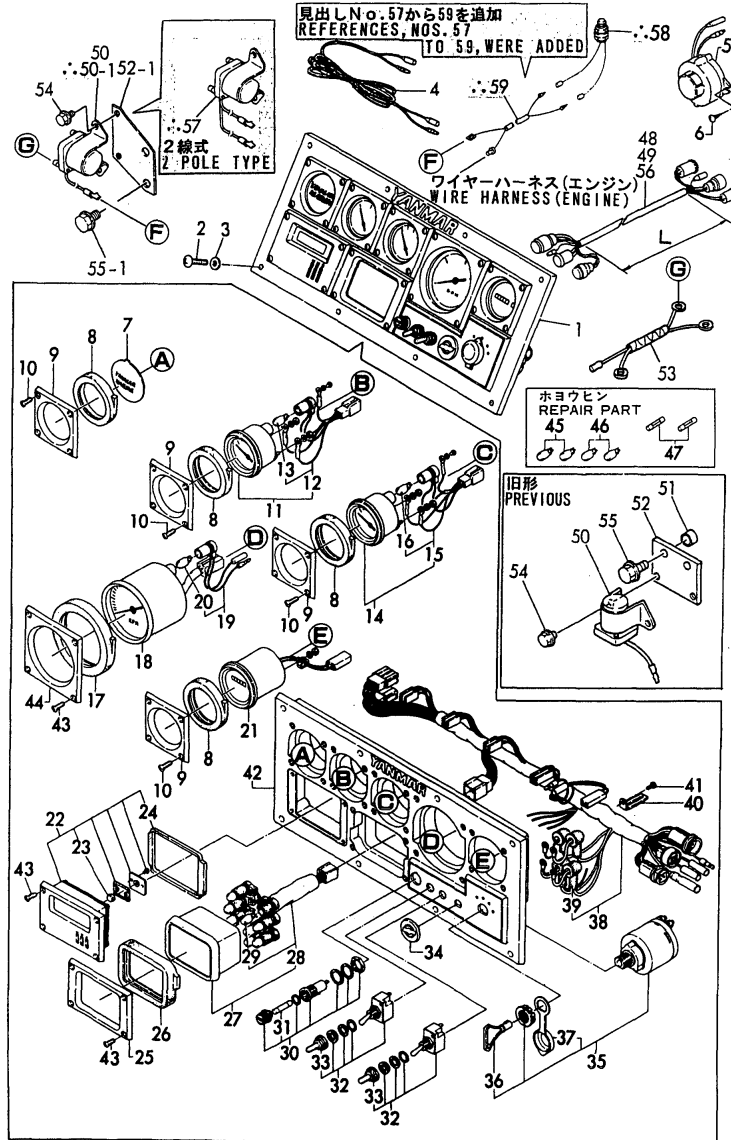
Remarks

- (1) USE IT WHEN MOUNTING THE NEW TYPE PANEL ON THE (OLD TYPE) WIRE HARNESS FOR ENGINE.
- (2) USE IT WHEN MOUNTING THE OLD TYPE PANEL ON THE (NEW TYPE) WIRE HARNESS FOR ENGINE.
- (3) NOT NEEDED WHEN MOUNTING ON THE SIDE.

(A)=4JH2E (D)=4JH2-DTE  
 (B)=4JH2-TE (E)=4JH2-UTE(B)  
 (C)=4JH2-HTE (F)=

Fig.59.INSTRUMENT PANEL(D-TYPE)

Fig.59 ケイキパン(Dタイプ)  
 INSTRUMENT PANEL (D-TYPE)



Remarks  
 (1) THE NEW PANEL TYPE IS 129574  
 -91190 SHOWN IN FIG 59A.  
 (2) 2POLE TYPE.

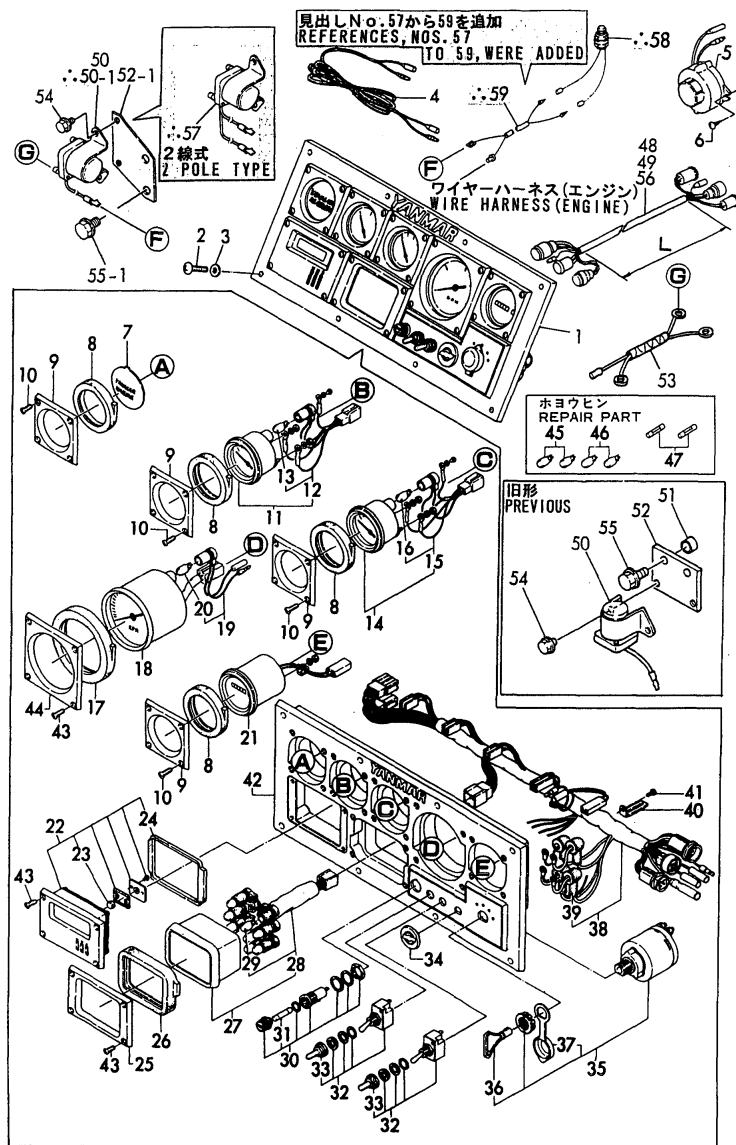
REF.	LEV.	PARTS NO.	DESCRIPTION	QTY						I	R
				(A)	(B)	(C)	(D)	(E)	(F)		
1	1	124411-91180	PANEL ASSY, INSTRUM	1	1	1	1	1			
I 1-1	1	124411-91180	PANEL ASSY, INSTRUM					1			Z 1
								(E=E40733)			
2	2	127620-91500	SCREW	8	8	8	8	8			
I 2-1	2	127620-91500	SCREW					8			Z 1
								(E=E40733)			
3	2	127620-91510	WASHER	8	8	8	8	8			
I 3-1	2	127620-91510	WASHER					8			Z 1
								(E=E40733)			
4	2	127620-91580	WIRE	1	1	1	1	1			
I 4-1	2	127620-91580	WIRE					1			Z 1
								(E=E40733)			
5	2	124617-91900	BUZZER	1	1	1	1	1			
I 5-1	2	124617-91900	BUZZER					1			Z 1
								(E=E40733)			
6	2	22717-410160	SCREW 4.1X16	2	2	2	2	2			
I 6-1	2	22717-410160	SCREW 4.1X16					2			Z 1
								(E=E40733)			
7	2	127620-91600	COVER	1	1	1	1	1			
I 7-1	2	127620-91600	COVER					1			Z 1
								(E=E40733)			
8	2	127620-91610	CUSHION	4	4	4	4	4			
I 8-1	2	127620-91610	CUSHION					4			Z 1
								(E=E40733)			
9	2	127620-91620	BRACKET	4	4	4	4	4			
I 9-1	2	127620-91620	BRACKET					4			Z 1
								(E=E40733)			
10	2	127620-91630	SCREW	16	16	16	16	16			
I 10-1	2	127620-91630	SCREW					16			Z 1
								(E=E40733)			
11	2	124617-91830	GAUGE, OIL PRESSURE	1	1	1	1	1			
I 11-1	2	124617-91830	GAUGE, OIL PRESSURE					1			Z 1
								(E=E40733)			
12	3	124617-91910	WIRE W/BULB	1	1	1	1	1			
I 12-1	3	124617-91910	WIRE W/BULB					1			Z 1
								(E=E40733)			
13	4	124617-91920	BULB	1	1	1	1	1			
I 13-1	4	124617-91920	BULB					1			Z 1
								(E=E40733)			
14	2	124617-91840	THERMOMETER	1	1	1	1	1			
I 14-1	2	124617-91840	THERMOMETER					1			Z 1
								(E=E40733)			
15	3	124617-91930	WIRE	1	1	1	1	1			
I 15-1	3	124617-91930	WIRE					1			Z 1
								(E=E40733)			
16	4	124617-91920	BULB	1	1	1	1	1			
I 16-1	4	124617-91920	BULB					1			Z 1
								(E=E40733)			
17	2	127620-91690	CUSHION	1	1	1	1	1			
I 17-1	2	127620-91690	CUSHION					1			Z 1
								(E=E40733)			
18	2	128696-91100	TACHOMETER	1	1	1	1	1			
I 18-1	2	128696-91100	TACHOMETER					1			Z 1
								(E=E40733)			

++ CONTINUE ++

(A)=4JH2E (D)=4JH2-DTE  
 (B)=4JH2-TE (E)=4JH2-UTE(B)  
 (C)=4JH2-HTE (F)=

Fig.59.INSTRUMENT PANEL(D-TYPE)

Fig.59 ケイキパン(Dタイプ)  
 INSTRUMENT PANEL (D-TYPE)



Remarks  
 (1) THE NEW PANEL TYPE IS 129574  
 -91190 SHOWN IN FIG 59A.  
 (2) 2POLE TYPE.

REF.	LEV.	PARTS NO.	DESCRIPTION	QTY						I	R
				(A)	(B)	(C)	(D)	(E)	(F)		
19	2	124617-91950	WIRE W/BULB	1	1	1	1	1			
I 19-1	2	124617-91950	WIRE W/BULB					1		Z	1
				(E=E40733)							
20	3	124617-91920	BULB	1	1	1	1	1			
I 20-1	3	124617-91920	BULB					1		Z	1
				(E=E40733)							
21	2	124617-91820	HOURMETER	1	1	1	1	1			
I 21-1	2	124617-91820	HOURMETER					1		Z	1
				(E=E40733)							
22	2	127620-91240	TIMER	1	1	1	1	1			
I 22-1	2	127620-91240	TIMER					1		Z	1
				(E=E40733)							
23	3	127620-91250	CELL	1	1	1	1	1			
I 23-1	3	127620-91250	CELL					1		Z	1
				(E=E40733)							
24	3	127620-91720	GASKET	1	1	1	1	1			
I 24-1	3	127620-91720	GASKET					1		Z	1
				(E=E40733)							
25	2	127620-91730	BRACKET	1	1	1	1	1			
I 25-1	2	127620-91730	BRACKET					1		Z	1
				(E=E40733)							
26	3	127620-91740	CUSHION	1	1	1	1	1			
I 26-1	3	127620-91740	CUSHION					1		Z	1
				(E=E40733)							
27	2	124617-91810	BOX ASSY, LAMP	1	1	1	1	1			
I 27-1	2	124617-91810	BOX ASSY, LAMP					1		Z	1
				(E=E40733)							
28	3	124617-91970	WIRE W/BULB	1	1	1	1	1			
I 28-1	3	124617-91970	WIRE W/BULB					1		Z	1
				(E=E40733)							
29	4	124617-91980	BULB	8	8	8	8	8			
I 29-1	4	124617-91980	BULB					8		Z	1
				(E=E40733)							
30	2	46150-003610	BOX, FUSE	1	1	1	1	1			
I 30-1	2	46150-003610	BOX, FUSE					1		Z	1
				(E=E40733)							
31	3	124617-91990	FUSE (3A)	1	1	1	1	1			
I 31-1	3	124617-91990	FUSE (3A)					1		Z	1
				(E=E40733)							
32	2	127620-91790	SWITCH	2	2	2	2	2			
I 32-1	2	127620-91790	SWITCH					2		Z	1
				(E=E40733)							
33	3	127620-91780	CAP	2	2	2	2	2			
I 33-1	3	127620-91780	CAP					2		Z	1
				(E=E40733)							
34	2	127620-91810	PLUG	1	1	1	1	1			
I 34-1	2	127620-91810	PLUG					1		Z	1
				(E=E40733)							
35	2	121575-91250	SWITCH W/KEY	1	1	1	1	1			
I 35-1	2	121575-91250	SWITCH W/KEY					1		Z	1
				(E=E40733)							
36	3	123482-91291	KEY, SWITCH	2	2	2	2	2			
I 36-1	3	123482-91291	KEY, SWITCH					2		Z	1
				(E=E40733)							

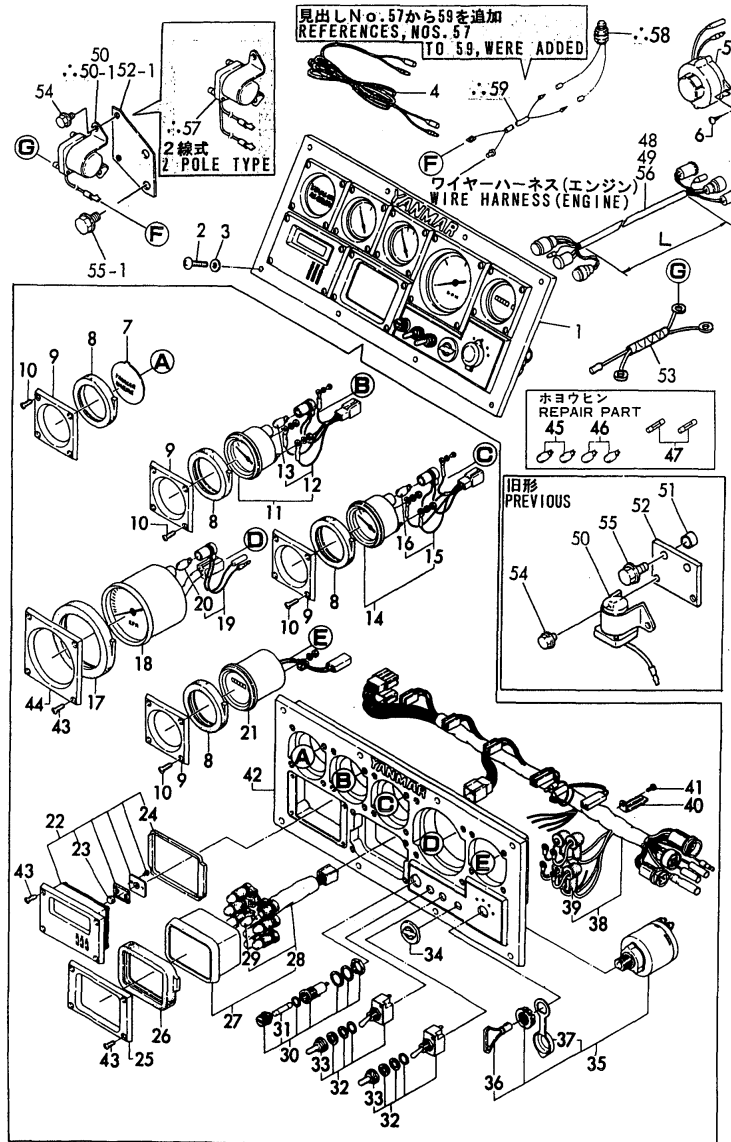
++ CONTINUE ++



(A)=4JH2E (D)=4JH2-DTE  
 (B)=4JH2-TE (E)=4JH2-UTE(B)  
 (C)=4JH2-HTE (F)=

Fig.59.INSTRUMENT PANEL(D-TYPE)

Fig.59 ケイキパン(Dタイプ)  
 INSTRUMENT PANEL (D-TYPE)



Remarks  
 (1) THE NEW PANEL TYPE IS 129574  
 -91190 SHOWN IN FIG 59A.  
 (2) 2POLE TYPE.

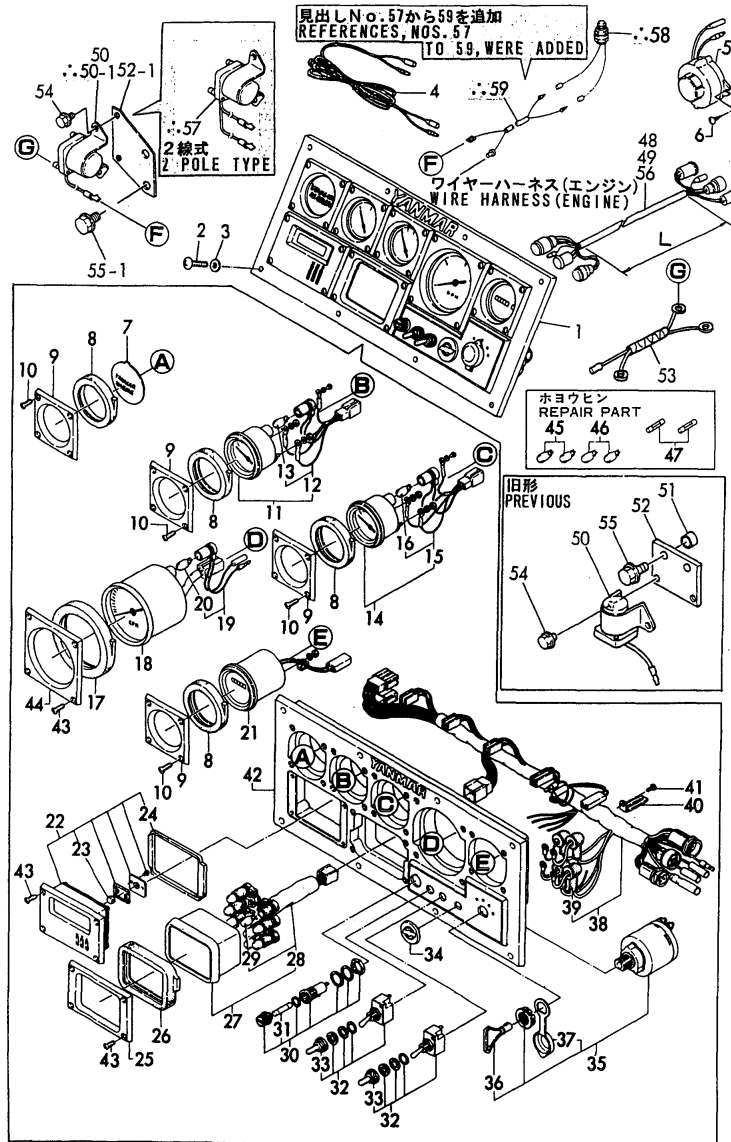
REF.	LEV.	PARTS NO.	DESCRIPTION	QTY						I	R
				(A)	(B)	(C)	(D)	(E)	(F)		
37	3	127620-91820	COVER	1	1	1	1	1			
I 37-1	3	127620-91820	COVER					1			Z 1
								(E=E40733)			
38	2	124617-91940	HARNESS, WIRE	1	1	1	1	1			
I 38-1	2	124617-91940	HARNESS, WIRE					1			Z 1
								(E=E40733)			
39	3	127620-91830	CAP	4	4	4	4	4			
I 39-1	3	127620-91830	CAP					4			Z 1
								(E=E40733)			
40	2	127620-91860	RETAINER	1	1	1	1	1			
I 40-1	2	127620-91860	RETAINER					1			Z 1
								(E=E40733)			
41	2	127620-91870	SCREW	1	1	1	1	1			
I 41-1	2	127620-91870	SCREW					1			Z 1
								(E=E40733)			
42	2	127620-91930	PANEL	1	1	1	1	1			
I 42-1	2	127620-91930	PANEL					1			Z 1
								(E=E40733)			
43	2	127620-91630	SCREW	12	12	12	12	12			
I 43-1	2	127620-91630	SCREW					12			Z 1
								(E=E40733)			
44	2	127620-91410	BRACKET	1	1	1	1	1			
I 44-1	2	127620-91410	BRACKET					1			Z 1
								(E=E40733)			
45	2	124617-91980	BULB	2	2	2	2	2			
I 45-1	2	124617-91980	BULB					2			Z 1
								(E=E40733)			
46	2	124617-91920	BULB	2	2	2	2	2			
I 46-1	2	124617-91920	BULB					2			Z 1
								(E=E40733)			
47	2	124617-91990	FUSE (3A)	2	2	2	2	2			
I 47-1	2	124617-91990	FUSE (3A)					2			Z 1
								(E=E40733)			
48	1	129470-77540	WIRE,EXTENSION L5800	1	1	1	1				
49	1	129470-77500	WIRE,EXTENSION L3800	1	1	1	1				
50	1	129100-77910	RELAY, MAGNETIC	1	1	1	1	1			W
I 50-1		(A=*1988.08) (B=*1988.08) (C=*1988.08) (D=E31796) (E=*1988.08)	RELAY, STARTER	1	1	1	1	1			S
		(A=E07940) (B=E14619) (C=E23484) (D=E34965) (E=E40923)									
51	1	129301-34830	SPACER	2	2	2	2	2			W
I 51-1	1	(A=*1988.08) (B=*1988.08) (C=*1988.08) (D=E31796) (E=*1988.08)	SPACER	2	2	2	2	2			Z
		(A=*1989.04) (B=*1989.04) (C=*1989.04) (D=*1989.04) (E=*1989.04)									
52	1	129573-77950	BRACKET	1	1	1	1	1			W
I 52-1	1	(A=*1988.08) (B=*1988.08) (C=*1988.08) (D=E31796) (E=*1988.08)	BRACKET	1	1	1	1	1			N
		(A=*1989.04) (B=*1989.04) (C=*1989.04) (D=*1989.04) (E=*1989.04)									
53	1	129573-77960	HARNESS, WIRE	1	1	1	1	1			W
I 54	1	(A=*1988.08) (B=*1988.08) (C=*1988.08) (D=E31796) (E=*1988.08)	BOLT M 6X 10 PLATED	2	2	2	2	2			W
		(A=*1988.08) (B=*1988.08) (C=*1988.08) (D=E31796) (E=*1988.08)									
55	1	26106-100252	BOLT M10X 25 PLATED	2	2	2	2	2			W
I 55-1	1	(A=*1988.08) (B=*1988.08) (C=*1988.08) (D=E31796) (E=*1988.08)	BOLT M10X 16 PLATED	2	2	2	2	2			N

++ CONTINUE ++

(A)=4JH2E (D)=4JH2-DTE  
 (B)=4JH2-TE (E)=4JH2-UTE(B)  
 (C)=4JH2-HTE (F)=

Fig.59.INSTRUMENT PANEL(D-TYPE)

Fig. **59** ケイキパン(Dタイプ)  
 INSTRUMENT PANEL (D-TYPE)



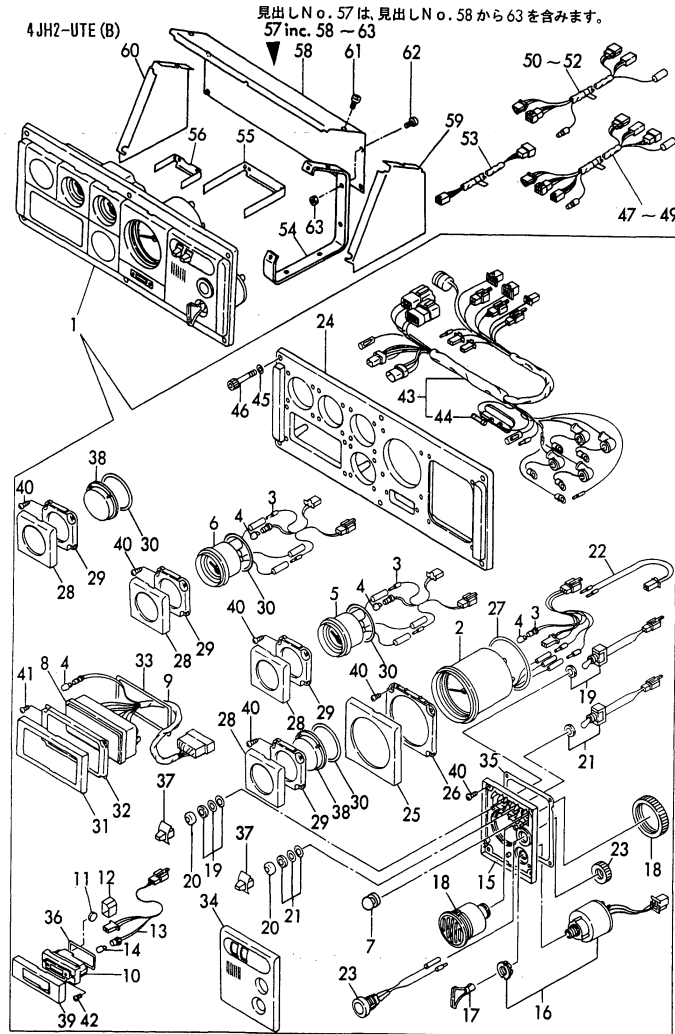
REF.	LEV.	PARTS NO.	DESCRIPTION	QTY						I	R
				(A)	(B)	(C)	(D)	(E)	(F)		
		(A=*1989.04) (B=*1989.04) (C=*1989.04) (D=*1989.04) (E=*1989.04)									
	56	1 129470-77530	HARNESS, WIRE(5.8M)	1	1	1	1				W
	57	1 129570-77920	STARTER RELAY	1	1	1	1	1	1		W 2
	58	1 120270-77101	SWITCH	1	1	1	1	1	1		W
	59	1 129570-77960	HARNESS, WIRE	1	1	1	1	1	1		W

Remarks  
 (1) THE NEW PANEL TYPE IS 129574  
 -91190 SHOWN IN FIG 59A.  
 (2) 2POLE TYPE.

(A)=4JH2E (D)=4JH2-DTE  
 (B)=4JH2-TE (E)=4JH2-UTE(B)  
 (C)=4JH2-HTE (F)=

Fig.95.(59A)INSTRUMENT PANEL(D-TYPE,NEW)

Fig. **59A** パネルD (シンガタ)  
 PANEL D (NEW)



Remarks  
 (1) USE IT WHEN MOUNTING THE NEW TYPE  
 PANEL ON THE (OLD TYPE) WIRE  
 HARNESS FOR ENGINE.  
 (2) USE IT WHEN MOUNTING THE OLD TYPE  
 PANEL ON THE (NEW TYPE) WIRE  
 HARNESS FOR ENGINE.  
 (3) NOT NEEDED WHEN MOUNTING ON THE  
 SIDE.

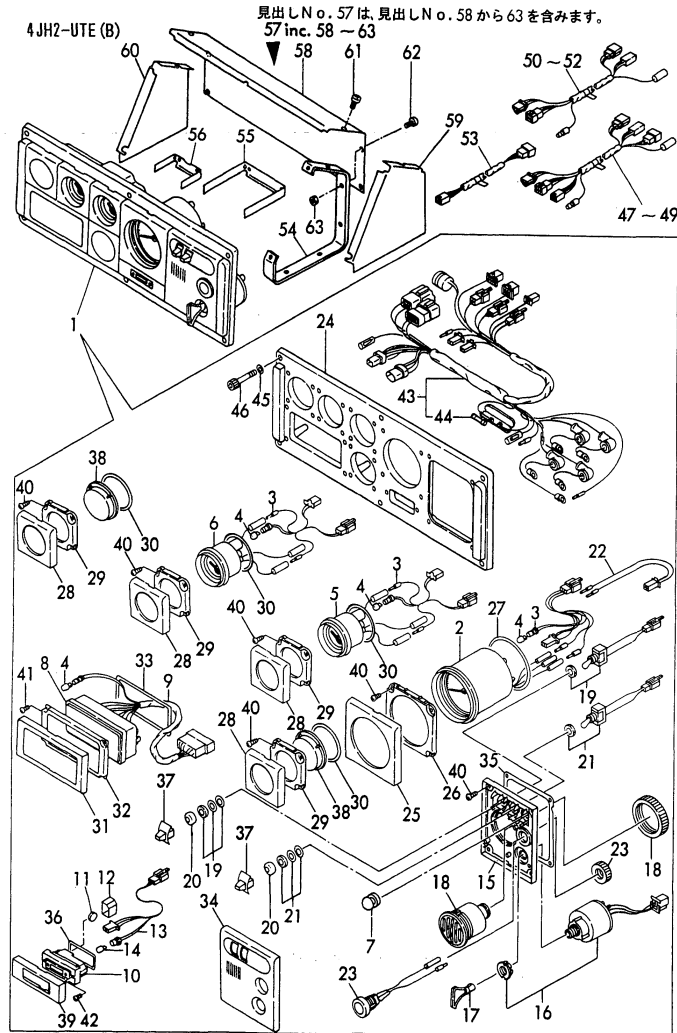
REF.	LEV.	PARTS NO.	DESCRIPTION	----- QTY -----						I	R
				(A)	(B)	(C)	(D)	(E)	(F)		
1	1	129574-91190	PANEL ASSY, INSTRUM						1		W
								(E=E40733)			
2	2	129574-91200	METER, TACHO./HOUR						1		
3	2	129574-91870	WIRE						3		
4	2	124617-91980	BULB						8		
5	2	129574-91210	METER						1		
6	2	129574-91220	METER						1		
7	2	129170-91810	BLIND						1		
8	2	129574-91260	BOX ASSY. LAMP						1		
9	2	129574-91860	WIRE W/BULB						1		
10	2	129574-91240	CLOCK						1		
11	2	127620-91250	CELL						1		
12	2	129574-91490	HOLDER						1		
13	2	129574-91880	WIRE W/BULB						1		
14	2	120147-91760	BULB						1		
15	2	129574-91410	BRACKET						1		
16	2	121575-91250	SWITCH W/KEY						1		
17	2	123482-91291	KEY, SWITCH						1		
18	2	104271-91352	BUZZER						1		
19	2	129170-91800	SWITCH						1		
20	2	129574-91780	CAP						2		
21	2	129574-91790	SWITCH						1		
22	2	129574-91890	WIRE						1		
23	2	129470-91190	STOPPER						1		
24	2	129574-91930	PANEL						1		
25	2	129574-91620	COVER						1		
26	2	129574-91420	BRACKET						1		
27	2	129574-91720	GASKET						1		
28	2	129574-91630	COVER						4		
29	2	129574-91430	BRACKET						4		
30	2	129574-91730	GASKET						4		
31	2	129574-91640	COVER						1		
32	2	129574-91440	BRACKET						1		
33	2	129574-91740	GASKET						1		
34	2	129170-91610	COVER						1		
35	2	129574-91710	GASKET						1		
36	2	129574-91750	GASKET						1		
37	2	129574-91770	KNOB						2		
38	2	129574-91600	BLIND						2		
39	2	129574-91650	COVER						1		
40	2	127692-91410	SCREW						24		
41	2	127692-91440	SCREW						4		
42	2	127692-91450	SCREW						2		
43	2	129574-91850	HARNESS, MAIN WIRE						1		
44	3	124617-91990	FUSE (3A)						1		
45	2	127687-91880	WASHER						6		
46	2	127687-91870	BOLT 6X 35						6		
47	1	129574-77700	HARNESS, WIRE(3M)						1		
48	1	129574-77710	HARNESS, WIRE(4M)						1		
49	1	129574-77720	HARNESS, WIRE(6M)						1		
50	1	129574-77850	HARNESS ADAPTER 12V						1		1
51	1	129574-77860	HARNESS ADAPTER 12V						1		2
52	1	127692-91700	HARNESS						1		
53	1	127692-91710	HARNESS						1		

++ CONTINUE ++

Fig.95.(59A)INSTRUMENT PANEL(D-TYPE,NEW)

(A)=4JH2E (D)=4JH2-DTE  
 (B)=4JH2-TE (E)=4JH2-UTE(B)  
 (C)=4JH2-HTE (F)=

Fig. **59A** パネルD (シンガタ)  
 PANEL D (NEW)



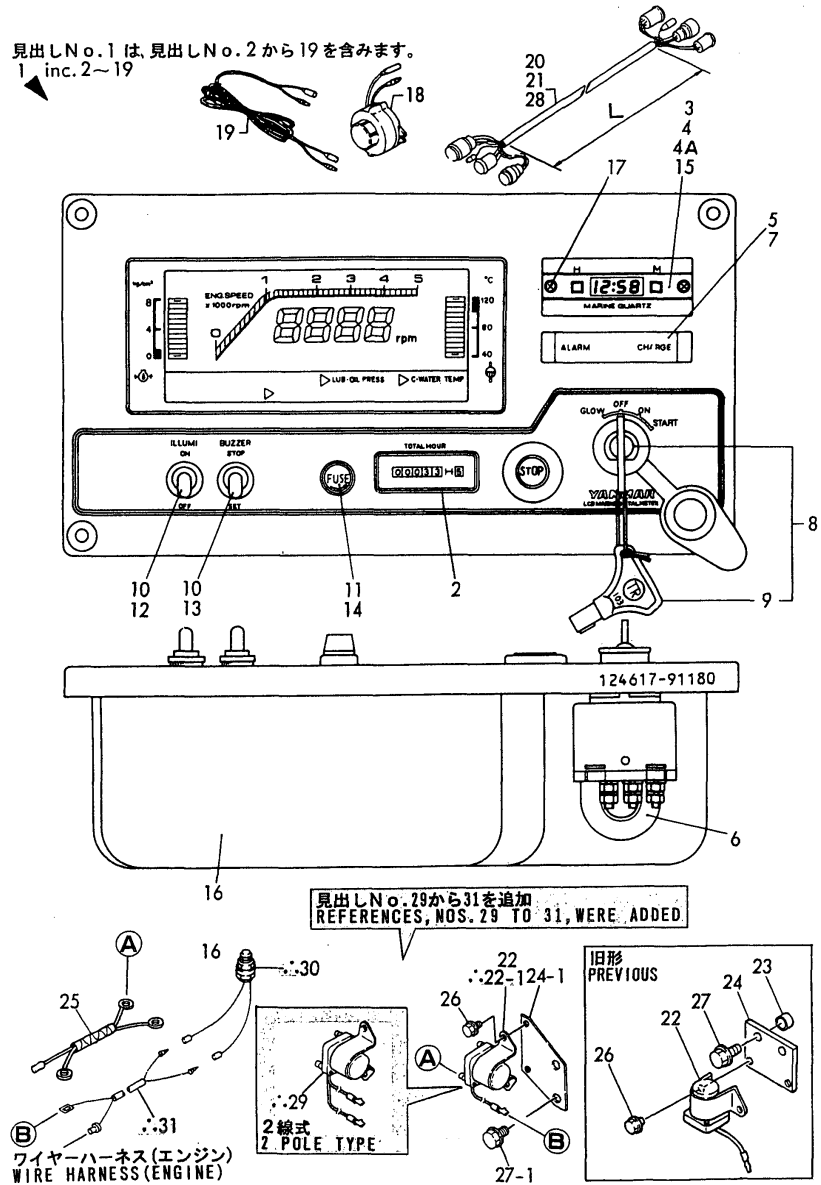
REF.	LEV.	PARTS NO.	DESCRIPTION	QTY						I	R	
				(A)	(B)	(C)	(D)	(E)	(F)			
54	1	129574-91530	BRACKET, PANEL								2	
55	1	129574-91540	BRACKET, TACHOMETER								1	
56	1	129574-91550	BRACKET, METER								1	
57	1	127692-91900	COVER, PANEL								1	
58	2	127692-91950	COVER								1	
59	2	129574-91960	COVER								1	
60	2	129574-91970	COVER								1	
61	2	26559-060122	SCREW								2	
62	2	26556-060122	SCREW M 6X12								4	3
63	2	26716-060002	NUT 6								4	3

Remarks  
 (1) USE IT WHEN MOUNTING THE NEW TYPE  
 PANEL ON THE (OLD TYPE) WIRE  
 HARNESS FOR ENGINE.  
 (2) USE IT WHEN MOUNTING THE OLD TYPE  
 PANEL ON THE (NEW TYPE) WIRE  
 HARNESS FOR ENGINE.  
 (3) NOT NEEDED WHEN MOUNTING ON THE  
 SIDE.

(A)=4JH2E (D)=4JH2-DTE  
 (B)=4JH2-TE (E)=4JH2-UTE(B)  
 (C)=4JH2-HTE (F)=

Fig.60.INSTRUMENT PANEL(E-TYPE)

Fig.60 ケイキパン (Eタイプ)  
 INSTRUMENT PANEL (E-TYPE)

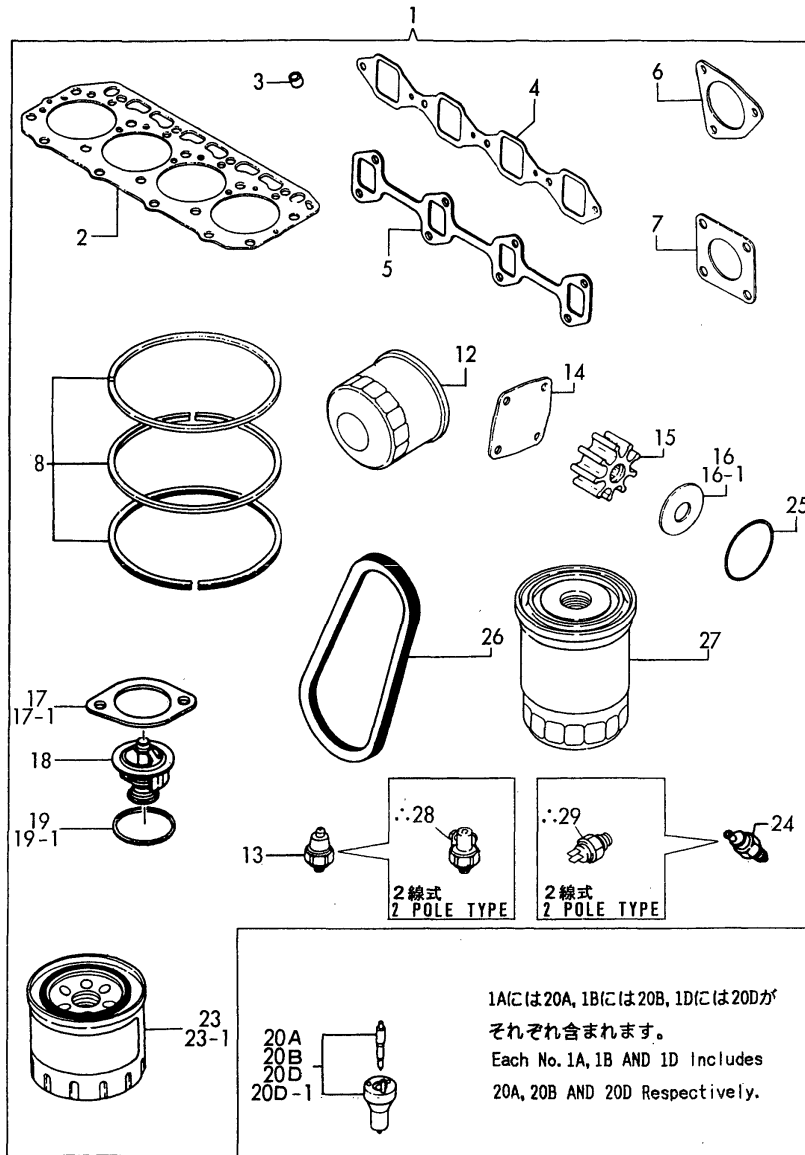


REF.	LEV.	PARTS NO.	DESCRIPTION	QTY						I	R
				(A)	(B)	(C)	(D)	(E)	(F)		
1	1	124617-91180	PANEL ASSY, INSTRUM.	1	1	1	1	1			
2	2	120147-91230	HOUR METER	1	1	1	1	1			
3	2	120147-91760	BULB	1	1	1	1	1			
4	2	127687-91240	CLOCK ASSY	1	1	1	1	1			
4A	3	127620-91250	CELL	1	1	1	1	1			
5	2	127687-91220	PILOT BOX ASSY	1	1	1	1	1			
6	2	127687-91800	GROMMET	1	1	1	1	1			
7	2	124617-91920	BULB	4	4	4	4	4			
8	2	127412-91250	SWITCH W/KEY	1	1	1	1	1			
9	3	123482-91291	KEY, SWITCH	2	2	2	2	2			
10	2	127687-91770	CAP	2	2	2	2	2			
11	2	46150-003610	BOX, FUSE	1	1	1	1	1			
12	2	127687-91790	SWITCH	1	1	1	1	1			
13	2	127687-91780	SWITCH	1	1	1	1	1			
14	2	46150-003620	FUSE	1	1	1	1	1			
15	2	127687-91250	GASKET	1	1	1	1	1			
16	2	127687-91840	COVER	1	1	1	1	1			
17	2	127687-91890	SCREW	2	2	2	2	2			
18	2	124617-91900	BUZZER	1	1	1	1	1			
19	2	127620-91580	WIRE	1	1	1	1	1			
20	1	129470-77540	WIRE, EXTENSION L5800	1	1	1	1	1			
21	1	129470-77500	WIRE, EXTENSION L3800	1	1	1	1	1			
22	1	129100-77910	RELAY, MAGNETIC	1	1	1	1	1			W
		(A=*1988.08) (B=*1988.08) (C=*1988.08) (D=E31796) (E=*1988.08)									
I 22-1	1	129490-77910	RELAY, STARTER	1	1	1	1	1			W
		(A=E07940) (B=E14619) (C=E23484) (D=E34965) (E=E40923)									
23	1	129301-34830	SPACER	2	2	2	2	2			W
		(A=*1988.08) (B=*1988.08) (C=*1988.08) (D=E31796) (E=*1988.08)									
23-1	1	129301-34830	SPACER	2	2	2	2	2			Z
		(A=*1989.04) (B=*1989.04) (C=*1989.04) (D=*1989.04) (E=*1989.04)									
24	1	129573-77950	BRACKET	1	1	1	1	1			W
		(A=*1988.08) (B=*1988.08) (C=*1988.08) (D=E31796) (E=*1988.08)									
24-1	1	129573-77951	BRACKET	1	1	1	1	1			N
		(A=*1989.04) (B=*1989.04) (C=*1989.04) (D=*1989.04) (E=*1989.04)									
25	1	129573-77960	HARNESS, WIRE	1	1	1	1	1			W
		(A=*1988.08) (B=*1988.08) (C=*1988.08) (D=E31796) (E=*1988.08)									
26	1	26106-060102	BOLT M 6X 10 PLATED	2	2	2	2	2			W
		(A=*1988.08) (B=*1988.08) (C=*1988.08) (D=E31796) (E=*1988.08)									
27	1	26106-100252	BOLT M10X 25 PLATED	2	2	2	2	2			W
		(A=*1988.08) (B=*1988.08) (C=*1988.08) (D=E31796) (E=*1988.08)									
27-1	1	26106-100162	BOLT M10X 16 PLATED	2	2	2	2	2			N
		(A=*1989.04) (B=*1989.04) (C=*1989.04) (D=*1989.04) (E=*1989.04)									
28	1	129470-77530	HARNESS, WIRE (5.8M)	1	1	1	1	1			W
		(A=*1989.04) (B=*1989.04) (C=*1989.04) (D=*1989.04)									
I 29	1	129570-77920	STARTER RELAY	1	1	1	1	1			W 1
		(A=E07940) (B=E14619) (C=E23484) (D=E34965) (E=E40923)									
I 30	1	120270-77101	SWITCH	1	1	1	1	1			W
		(A=E07940) (B=E14619) (C=E23484) (D=E34965) (E=E40923)									
I 31	1	129570-77960	HARNESS, WIRE	1	1	1	1	1			W
		(A=E07940) (B=E14619) (C=E23484) (D=E34965) (E=E40923)									

Remarks  
 (1) 2POLE TYPE.

Fig.61.REPAIR SET

Fig. **61** スペアパーツ REPAIR SET



Remarks  
(1) 2POLE TYPE.  
(2) NOT USED FOR THE 2 POLE TYPE.

(A)=4JH2E (D)=4JH2-DTE  
(B)=4JH2-TE (E)=4JH2-UTE(B)  
(C)=4JH2-HTE (F)=

REF.	LEV.	PARTS NO.	DESCRIPTION	QTY						I	R
				(A)	(B)	(C)	(D)	(E)	(F)		
1A	1	729570-92500	REPAIR SET	1							
1B	1	729571-92500	REPAIR SET		1	1					
1D	1	729573-92500	REPAIR SET					1			
1E	1	729574-92500	REPAIR SET						1		
I 1F	1	729570-92510	REPAIR SET	1							W 1
		(A=E07940)									
I 1G	1	729572-92510	REPAIR SET		1	1					W 1
		(B=E14619) (C=E23484)									
I 1H	1	729573-92510	REPAIR SET					1			W 1
I 1I	1	729574-92510	REPAIR SET						1		W 1
2	2	129573-01351	GASKET, (NON-ASB.)	1	1	1	1	1			
3	2	119625-11870	PROTECTOR, NOZZLE	4	4	4	4	4			
4	2	129550-12110	GASKET, SUC.MANIFOLD					1			
4-1	2	129470-12130	GASKET	1	1	1	1	1	1		N
5	2	129550-13110	GASKET, EXH.MANIFOLD	1	1	1	1	1	1		
6	2	129792-13520	GASKET						1		
6-1	2	129472-13520	GASKET		1	1	1	1	1		N
7	2	129792-18090	GASKET						1		
7-1	2	129472-18090	GASKET	1	1	1	1	1	1		N
8	2	729573-22500	RING SET	4	4	4	4	4	4		
12	2	129150-35150	FILTER 90X80L	1	1	1	1	1	1		2
13	2	124060-39451	SENDER, OIL PRESSURE	1	1	1	1	1	1		
14	2	129470-42520	COVER	1	1	1	1	1	1		
15	2	129470-42530	IMPELLER	1	1	1	1	1	1		
16-1	2	129470-42540	PLATE	1	1	1	1	1	1		
17	2	129795-49550	GASKET, THERMO.COVER						1		
17-1	2	129470-49550	GASKET, (NON-ASB.)	1	1	1	1	1	1		N
18	2	129470-49801	THERMOSTAT	1	1	1	1	1	1		
19	2	129150-49810	GASKET, THERMOSTAT						1		
19-1	2	129470-49810	GASKET, (NON-ASB.)	1	1	1	1	1	1		N
20A	2	129570-53000	NOZZLE ASSY.F.INJECT	4							
20B	2	129595-53000	NOZZLE ASSY.F.INJECT		4	4			4		
20D	2	129573-53000	NOZZLE ASSY.F.INJECT						4		
20D-1	2	129573-53500	NOZZLE ASSY.F.INJECT						4		N
23	2	129470-55700	STRAINER	1	1	1	1	1	1		
23-1	2	129470-55701	STRAINER ASSY, FUEL	1	1	1	1	1	1		M
		(A=*1991.01) (B=*1991.01) (C=*1991.01) (D=*1991.01)									
24	2	127610-91350	SWITCH, THERMO						1		
24-1	2	120130-91370	SWITCH, THERMO(100C)	1	1	1	1	1	1		2
25	2	24341-000600	O-RING 1A S-60.0	1	1	1	1	1	1		
26	2	25132-004600	V-BELT	1	1	1	1	1	1		
27	2	129574-55710	STRAINER						1		
I 28	2	126630-91591	SWITCH,OIL PRESSURE	1	1	1	1	1	1		W 1
		(A=E07940) (B=E14619) (C=E23484) (D=E34965) (E=E40923)									
I 29	2	129570-91320	SWITCH, THERMO(108C)	1	1	1	1	1	1		W 1

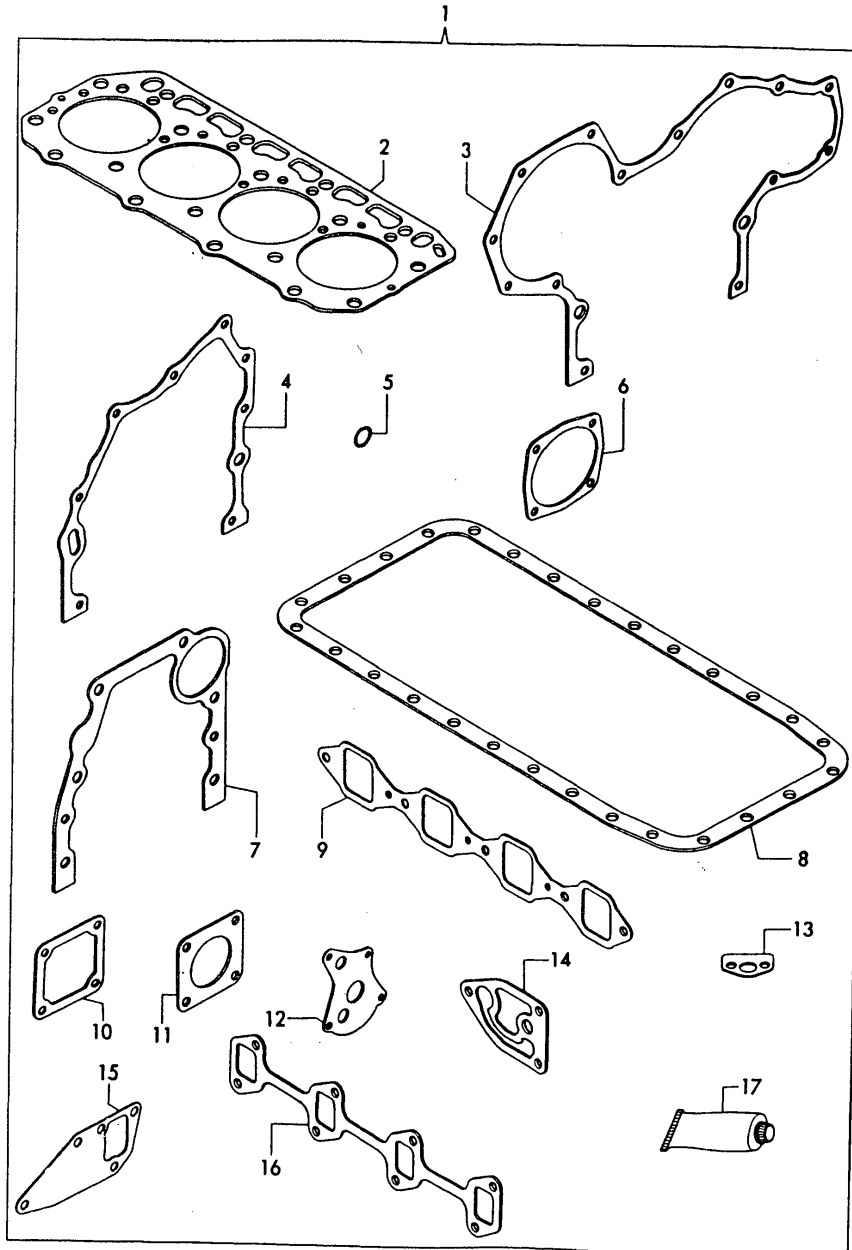
++ CONTINUE ++



Fig.62.GASKET SET

(A)=4JH2E (D)=4JH2-DTE  
 (B)=4JH2-TE (E)=4JH2-UTE(B)  
 (C)=4JH2-HTE (F)=

Fig. **62** パッキンセット  
 GASKET SET



REF.	LEV.	PARTS NO.	DESCRIPTION	QTY						I	R
				(A)	(B)	(C)	(D)	(E)	(F)		
1	1	729573-92600	GASKET SET				1				
1-1	1	729573-92601	GASKET SET	1	1	1	1	1	1		N
				(D=E31928)							
2	2	129573-01351	GASKET, (NON-ASB.)	1	1	1	1	1	1		
3	2	129150-01510	GASKET, GEAR CASE					1			
3-1	2	129470-01510	GASKET	1	1	1	1	1	1		N
				(D=E31928)							
4	2	129150-01530	GASKET					1			
4-1	2	129470-01530	GASKET	1	1	1	1	1	1		N
				(D=E31928)							
5	2	129470-01550	O-RING	1	1	1	1	1	1		
6	2	129150-01880	GASKET, HO-P					1			
6-1	2	129470-01880	GASKET	1	1	1	1	1	1		N
				(D=E31928)							
7	2	129100-01620	GASKET					1			
7-1	2	129470-01620	GASKET	1	1	1	1	1	1		N
				(D=E31928)							
8	2	129400-01750	GASKET, OIL SUMP					1			
8-1	2	129470-01750	GASKET	1	1	1	1	1	1		N
				(D=E31928)							
9	2	129550-12110	GASKET, SUC.MANIFOLD					1			
9-1	2	129470-12130	GASKET	1	1	1	1	1	1		N
				(D=E31928)							
10	2	129150-77510	GASKET, AIR HEATER					1			
10-1	2	129470-77590	GASKET, (NON-ASB.)	1	1	1	1	1	1		N
				(D=E31928)							
11	2	129792-18090	GASKET					1			
11-1	2	129472-18090	GASKET	1	1	1	1	1	1		N
				(D=E31928)							
12	2	129150-32020	GASKET, L.O. PUMP	1	1	1	1	1	1		
13	2	129150-35040	GASKET, OIL STRAINER					1			
13-1	2	129470-35040	GASKET	1	1	1	1	1	1		N
				(D=E31928)							
14	2	129470-35120	GASKET					1			
14-1	2	129470-35121	GASKET	1	1	1	1	1	1		N
				(D=E31928)							
15	2	129150-42020	GASKET, C.W. PUMP	1	1	1	1	1	1		
16	2	129550-13110	GASKET, EXH.MANIFOLD	1	1	1	1	1	1		
17	2	977770-01212	GASKET, LIQUID	1	1	1	1	1	1		

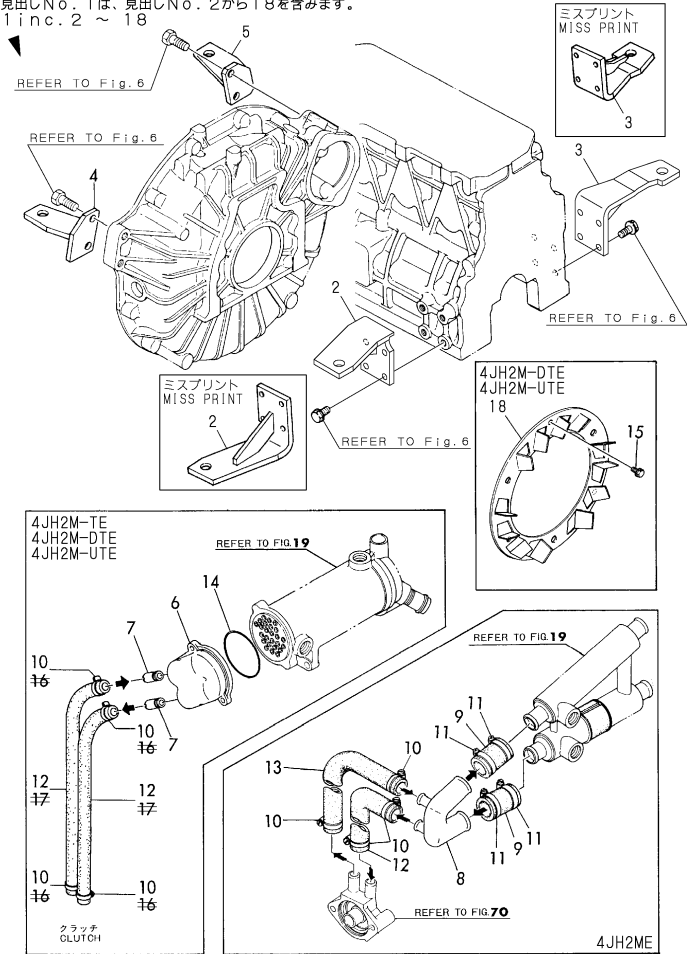


Fig.63.REEQUIP MENT KIT

P/O NEWS No.:Y00R3512-9  
PUBLISHED:2002/2

Fig. 63 改装キット  
REEQUIP MENT KIT

見出しNo. 1は、見出しNo. 2から18を含みます。  
1inc.2 ~ 18



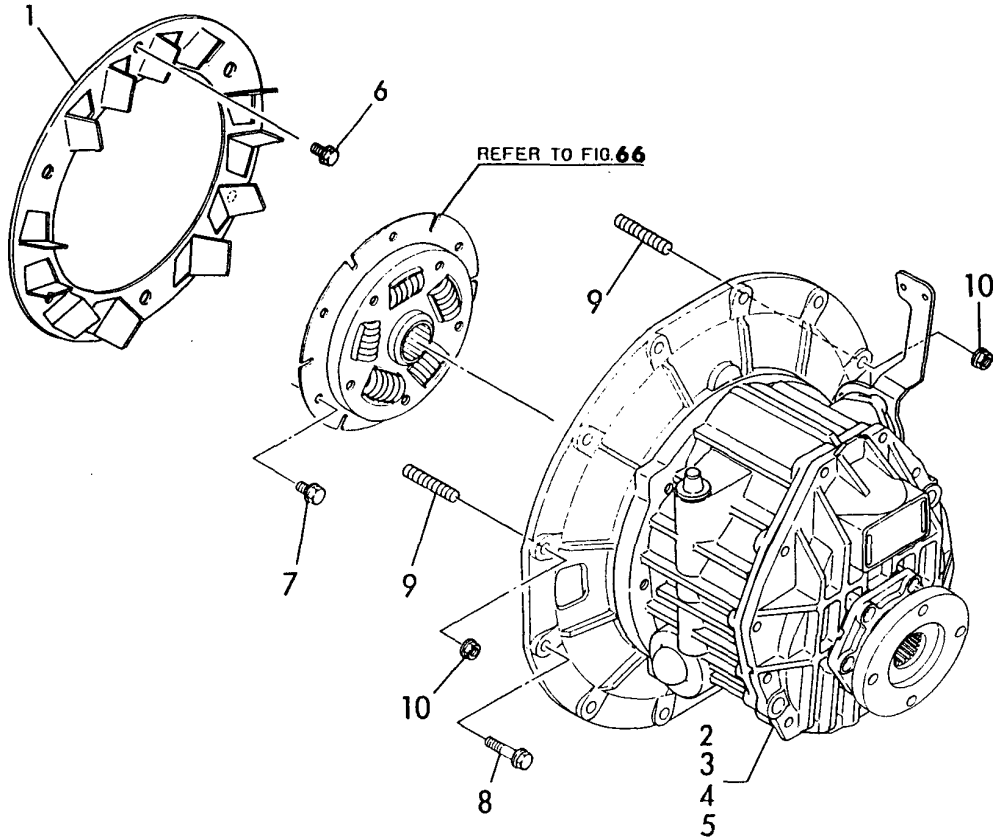
Remarks  
 (1)4JH2ME  
 (2)4JH2M-TE  
 (3)4JH2M-HTE  
 (4)4JH2M-DTE,4JH2M-UTE  
 (M)MISPRINT

(A)=4JH2E (D)=4JH2-DTE  
 (B)=4JH2-TE (E)=4JH2-UTE(B)  
 (C)=4JH2-HTE (F)=

REF.	LEV.	PARTS NO.	DESCRIPTION	QTY						I	R
				(A)	(B)	(C)	(D)	(E)	(F)		
1	1	729570-82790	REFIT PARTS	1							1
1A	1	729571-82790	REFIT PARTS		1						2
1B	1	729572-82790	REFIT PARTS			1					3
1C	1	729573-82790	REFIT PARTS				1	1			4
I	1C-1	729573-82791	REFIT PART SET(4J4A)				1				M
2	2	129473-08100	FOOT	1	1	1	1	1			
3	2	129473-08110	FOOT	1	1	1	1	1			
4	2	129473-08120	FOOT	1	1	1	1	1			
5	2	129473-08130	FOOT	1	1	1	1	1			
6	2	129474-33030	COVER B		1						
7	2	104271-49060	JOINT		2						
8	2	129470-49060	PIPE	1							
9	2	129470-49110	JOINT 25X55	2							
10	2	23000-022000	CLAMP 22	4	4		4	4			
11	2	23000-035000	CLAMP 35	2							
12	2	23072-040300	HOSE (13/20X300)	1	2		2	2			
13	2	23072-040350	HOSE 4X350	1							
14	2	24321-000750	O-RING 1A G-75.0		1						
15	2	26106-080162	BOLT M 8X 16 PLATED				6	6			
I	16	23000-022000	CLAMP 22				4				W M
			(D=EXXX)								
I	17	23072-040300	HOSE (13/20X300)				2				W M
			(D=EXXX)								
18	2	177073-03191	FAN				1	1			

Fig.64.CLUTCH ASSY(KM4A)

Fig. **64** クラッチシクミ(KM4A)  
CLUTCH ASSY

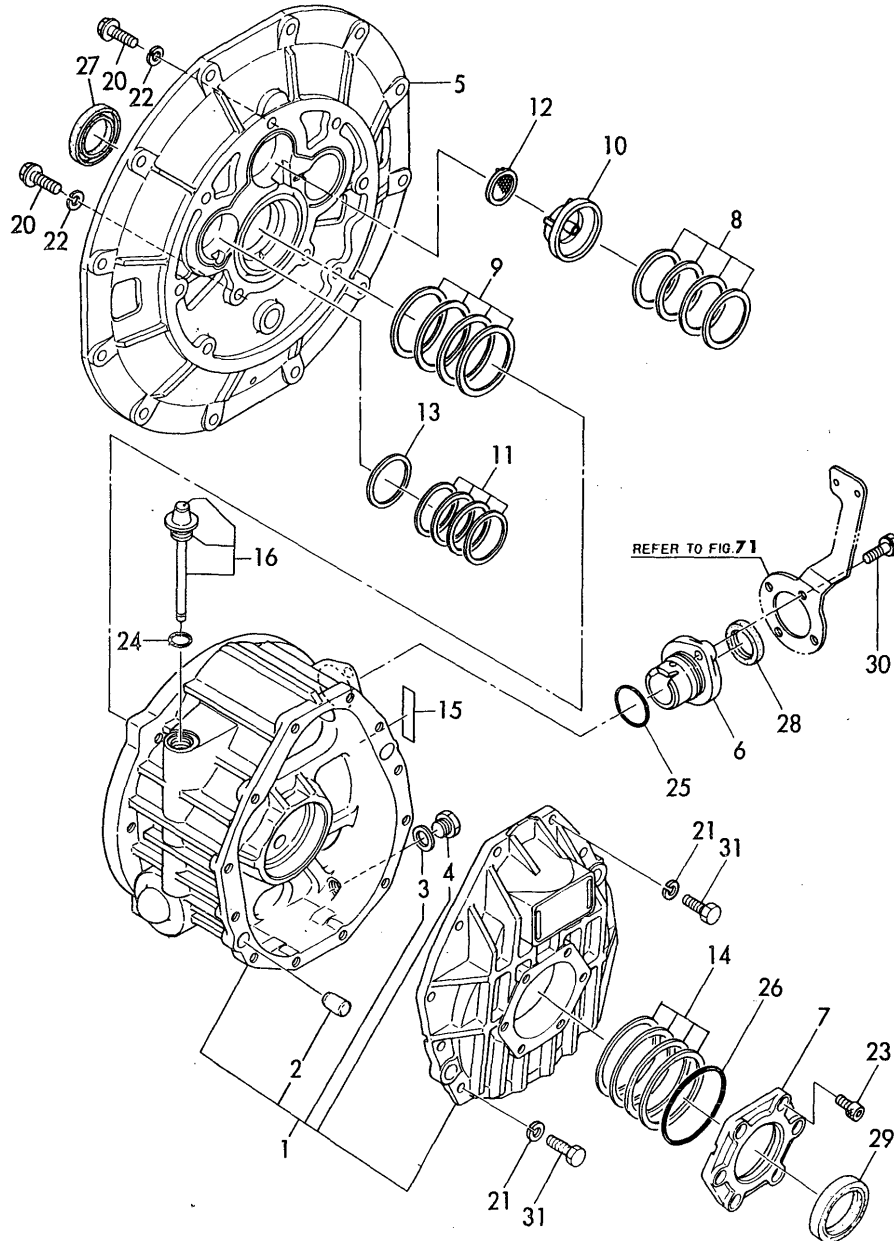


(A)=4JH2E (D)=4JH2-DTE  
(B)=4JH2-TE (E)=4JH2-UTE(B)  
(C)=4JH2-HTE (F)=

REF.	LEV.	PARTS NO.	DESCRIPTION	QTY						I	R
				(A)	(B)	(C)	(D)	(E)	(F)		
1	1	177073-03191	FAN				1	1			
			(D=E31808)				(E=E31808)				
2	1	129473-81001	CLUTCH ASSY. I=1.47	1	1	1	1	1			1
3	1	129473-81012	CLUTCH ASSY. I=2.14	1	1	1	1	1			2
4	1	129473-81022	CLUTCH ASSY. I=2.63	1	1	1	1	1			3
5	1	129473-81032	CLUTCH ASSY. I=3.30	1	1	1	1	1			4
6	1	26106-080162	BOLT M 8X 16 PLATED				3	3			
			(D=E31808)				(E=E31808)				
7	1	26106-080162	BOLT M 8X 16 PLATED	6	6	6	6	6			
8	1	26106-100302	BOLT M10X 30 PLATED	8	8	8	8	8			
9	1	26226-100222	STUD M10X 22 PLATED	2	2	2	2	2			
10	1	26716-100002	NUT 10	2	2	2	2	2			

Fig.65.CLUTCH HOUSING

Fig. **65** クラッチケース  
CLUTCH HOUSING

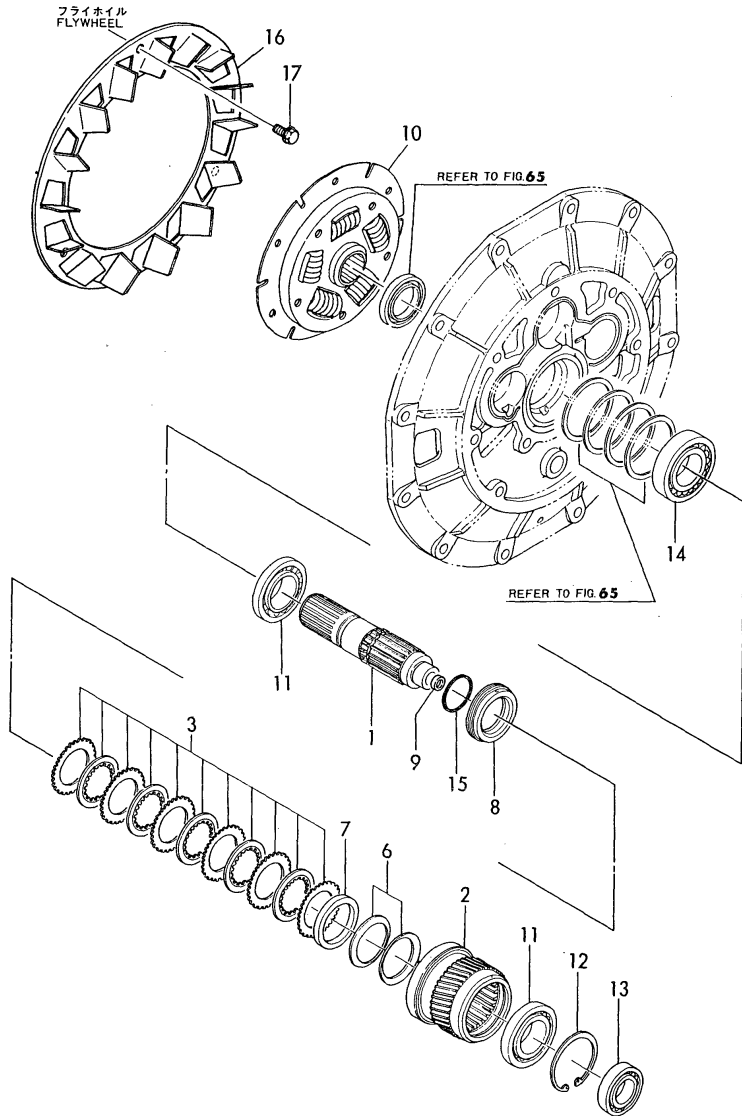


(A)=4JH2E (D)=4JH2-DTE  
(B)=4JH2-TE (E)=4JH2-UTE(B)  
(C)=4JH2-HTE (F)=

REF.	LEV.	PARTS NO.	DESCRIPTION	QTY						I	R
				(A)	(B)	(C)	(D)	(E)	(F)		
1	1	777073-02550	HOUSING, CLUTCH	1	1	1	1	1			
2	2	177099-02130	STRAIGHT PIN	2	2	2	2	2			
3	2	177035-02920	PLUG M16X1.5.MAGNET.	1	1	1	1	1			
4	2	23414-160000	GASKET 16, ROUND	1	1	1	1	1			
5	1	177073-02050	FLANGE	1	1	1	1	1			
6	1	177088-02120	COVER, SIDE	1	1	1	1	1			
7	1	177073-02151	COVER	1	1	1	1	1			
8	1	177075-02150	SHIM SET	2	2	2	2	2			
9	1	177095-02150	SHIM	1	1	1	1	1			
10	1	177073-02251	CASE, STRAINER	1	1	1	1	1			
11	1	177090-02250	SHIM SET	1	1	1	1	1			
12	1	177073-02261	STRAINER	1	1	1	1	1			
13	1	177073-02300	SHIM	1	1	1	1	1			
14	1	177090-02310	SHIM	2	2	2	2	2			
15	1	177073-02430	LABEL	1	1	1	1	1			
16	1	177074-02450	GAUGE,OIL	1	1	1	1	1			
20	1	26106-100302	BOLT M10X 30 PLATED	8	8	8	8	8			
21	1	22287-080000	LOCKING WASHER	12	12	12	12	12			
22	1	22287-100000	WASHER 10	8	8	8	8	8			
23	1	26450-080202	BOLT M 8X 20	6	6	6	6	6			
24	1	24311-000180	O-RING 1A P-18.0	1	1	1	1	1			
25	1	24321-000400	O-RING 1A G-40.0	1	1	1	1	1			
26	1	24341-000800	O-RING 1A S-80.0	1	1	1	1	1			
27	1	24413-355208	SEAL, OIL	1	1	1	1	1			
28	1	24421-284008	SEAL TC28 40 08, OIL	1	1	1	1	1			
29	1	24421-486209	OIL SEAL TC486209	1	1	1	1	1			
30	1	26016-080302	BOLT M 8X 30	2	2	2	2	2			
31	1	26106-080252	BOLT M 8X 25 PLATED	12	12	12	12	12			

Fig.66.INPUT SHAFT

Fig. **66** ニュウリョクジク  
INPUT SHAFT



(A)=4JH2E (D)=4JH2-DTE  
(B)=4JH2-TE (E)=4JH2-UTE(B)  
(C)=4JH2-HTE (F)=

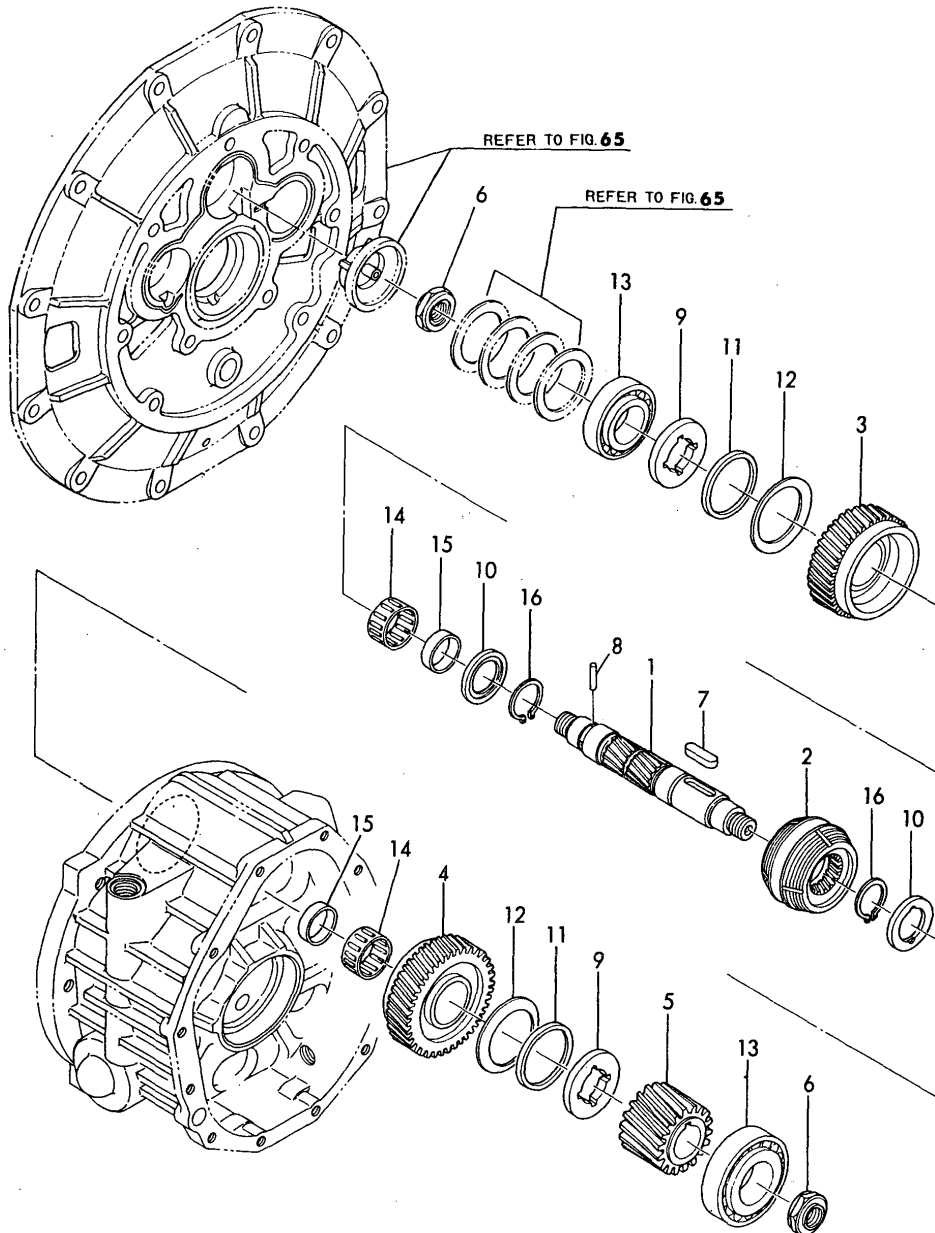
REF.	LEV.	PARTS NO.	DESCRIPTION	QTY						I	R
				(A)	(B)	(C)	(D)	(E)	(F)		
1	1	177073-03010	INPUT SHAFT	1	1	1	1	1			
2	1	177073-03030	GEAR Z=39	1	1	1	1	1			
3	1	177073-03040	PLATE	1	1	1	1	1			
6	1	177073-03090	SPRING	2	2	2	2	2			
7	1	177073-03100	PLATE	1	1	1	1	1			
8	1	177073-03110	LOCK NUT	1	1	1	1	1			
9	1	177073-03140	SEAL	1	1	1	1	1			
10	1	177090-03500	DISC, DAMPER	1	1	1	1	1			
11	1	194454-25770	BALL BEARING	2	2	2	2	2			
12	1	22252-000620	CIRCLIP 62(H)	1	1	1	1	1			
13	1	24141-302050	ROLLER BEARING	1	1	1	1	1			
14	1	24142-302070	BEARING	1	1	1	1	1			
15	1	24311-000350	O-RING 1A P-35.0	1	1	1	1	1			
16	1	177073-03191	FAN	1	1	1	1	1			1
17	1	26106-080162	BOLT M 8X 16 PLATED	6	6	6	6	6			1

Remarks

1) THIS PART IS STANDARD PART FOR  
YANMAR MODEL 4JH2-DTBE AND  
4JH2-UTBE BUT OPTIONAL FOR OTHER  
MODELS.

Fig.67.CLUTCH SHAFT

Fig. **67** クラッチジク  
CLUTCH SHAFT



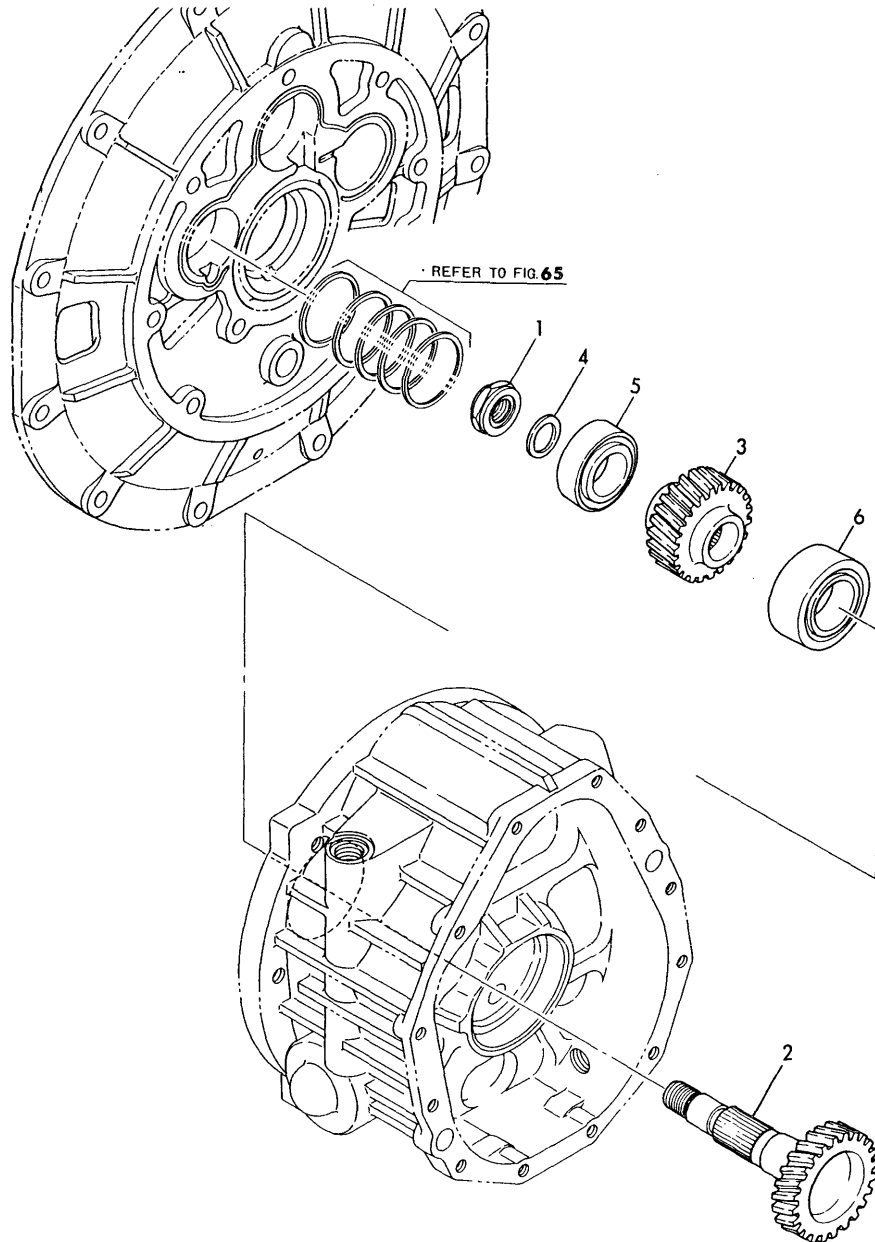
(A)=4JH2E (D)=4JH2-DTE  
(B)=4JH2-TE (E)=4JH2-UTE(B)  
(C)=4JH2-HTE (F)=

REF.	LEV.	PARTS NO.	DESCRIPTION	QTY						I	R
				(A)	(B)	(C)	(D)	(E)	(F)		
1	1	177073-03151	SHAFT, CLUTCH	1	1	1	1	1			
2	1	177073-03170	CONE, DRIVE	1	1	1	1	1			
3	1	177073-03201	GEAR Z=41	1	1	1	1	1			
4	1	177073-03231	GEAR Z=45	1	1	1	1	1			
5A	1	177073-03250	GEAR Z=22 l=3.30	1	1	1	1	1			4
5B	1	177073-03260	GEAR Z=26 l=2.63	1	1	1	1	1			3
5C	1	177073-03270	GEAR Z=30 l=2.14	1	1	1	1	1			2
5D	1	177073-03280	GEAR Z=38 l=1.47	1	1	1	1	1			1
6	1	177088-03272	NUT	2	2	2	2	2			
7	1	177073-03290	KEY	1	1	1	1	1			
8	1	177088-03290	PIN 4D-22L	1	1	1	1	1			
9	1	177073-03300	COLLAR	2	2	2	2	2			
10	1	177073-03320	COLLAR	2	2	2	2	2			
11	1	177073-03340	RETAINER	2	2	2	2	2			
12	1	177088-03540	SPRING	2	2	2	2	2			
13	1	24141-303050	BEARING	2	2	2	2	2			
14	1	24161-323717	NEEDLE BEARING	2	2	2	2	2			
15	1	24163-282170	RASE, INNER	2	2	2	2	2			
16	1	24164-000282	CIRCLIP 28	2	2	2	2	2			

(A)=4JH2E (D)=4JH2-DTE  
 (B)=4JH2-TE (E)=4JH2-UTE(B)  
 (C)=4JH2-HTE (F)=

Fig.68.COUNTER SHAFT

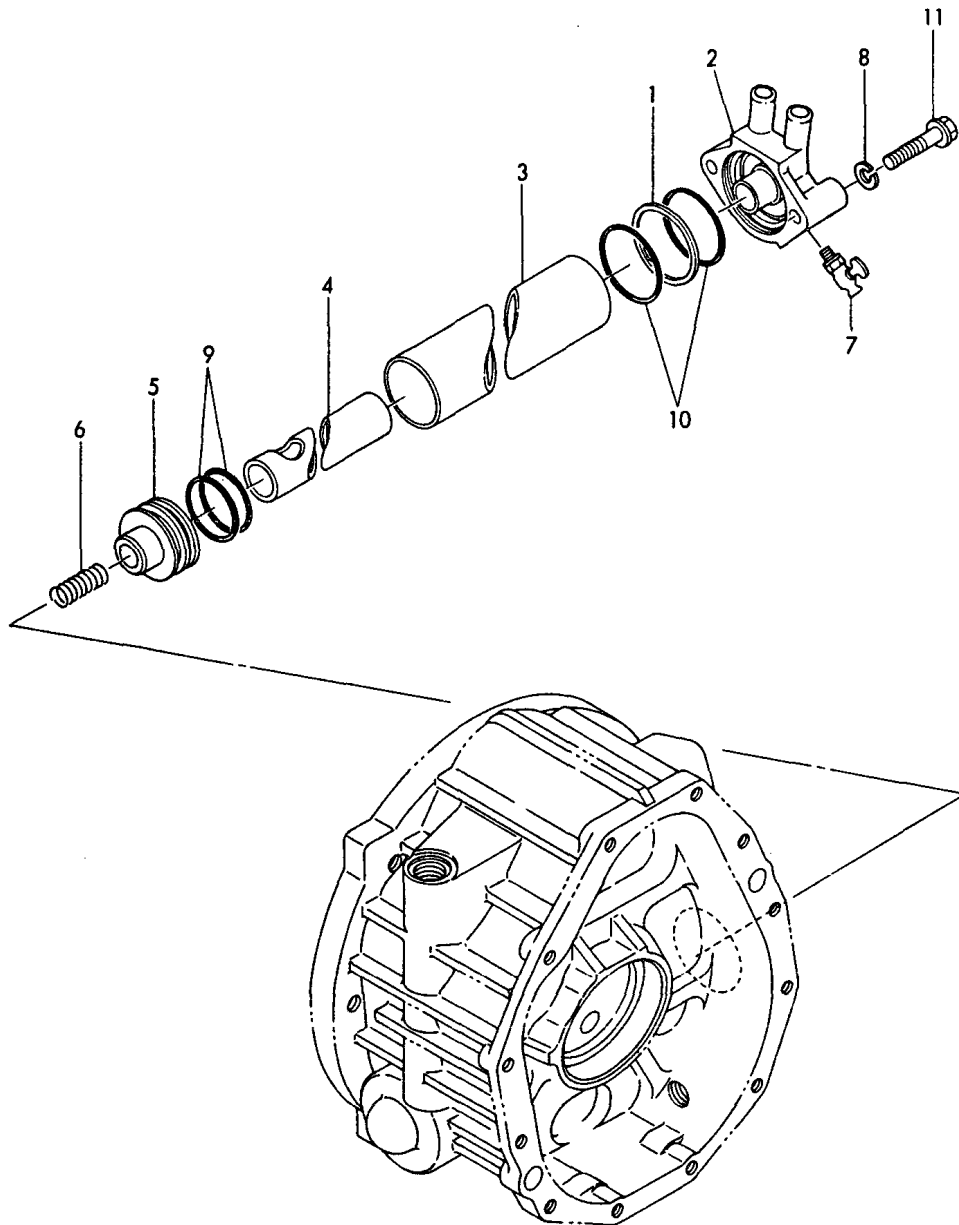
Fig. **68** チュウカンジク  
 COUNTER SHAFT



REF.	LEV.	PARTS NO.	DESCRIPTION	QTY						I	R
				(A)	(B)	(C)	(D)	(E)	(F)		
1	1	177088-03272	NUT	1	1	1	1	1			
2	1	177073-03351	SHAFT, IDLE GEAR	1	1	1	1	1			
3	1	177073-03372	GEAR Z=31	1	1	1	1	1			
4	1	177073-03380	WASHER	1	1	1	1	1			
5	1	24141-303040	TAPER-ROLLER BEARING	1	1	1	1	1			
6	1	24141-323050	BEARING	1	1	1	1	1			



Fig. **70** LOクーラ  
LUB. OIL COOLER



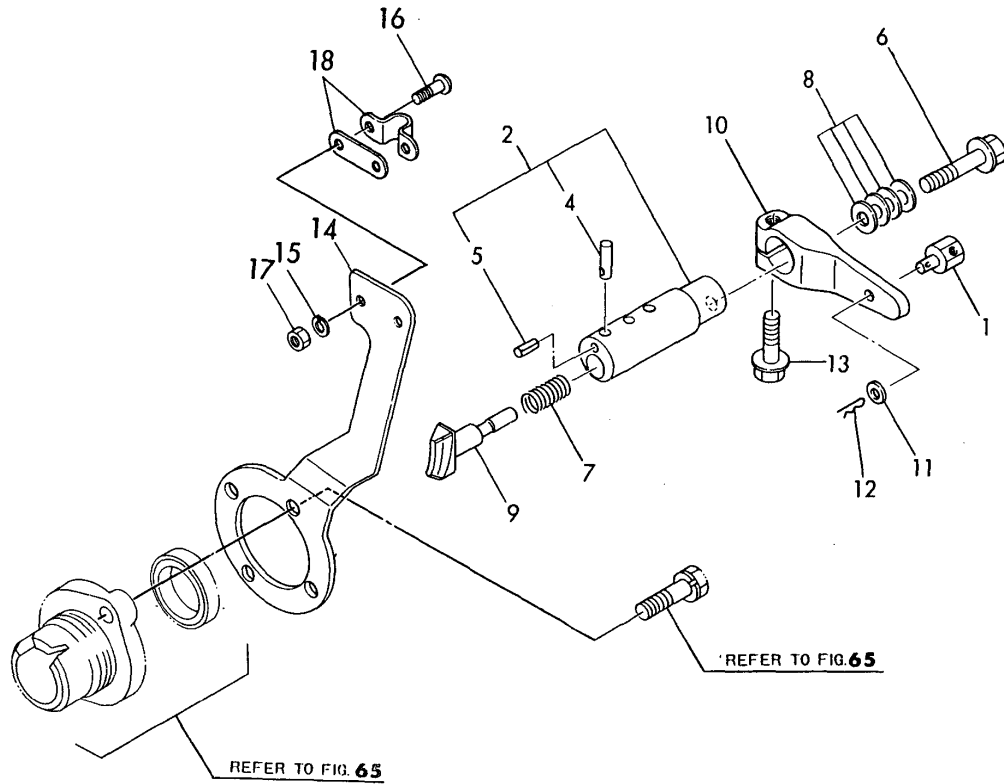
(A)=4JH2E (D)=4JH2-DTE  
(B)=4JH2-TE (E)=4JH2-UTE(B)  
(C)=4JH2-HTE (F)=

REF.	LEV.	PARTS NO.	DESCRIPTION	QTY						I	R
				(A)	(B)	(C)	(D)	(E)	(F)		
1	1	177073-02300	SHIM	1	1	1	1	1			
2	1	177073-04030	BODY, COOLER	1	1	1	1	1			
3	1	177073-04050	PIPE	1	1	1	1	1			
4	1	177073-04060	PIPE	1	1	1	1	1			
5	1	177073-04080	COVER	1	1	1	1	1			
6	1	1C6220-32280	SPRING, STOPPER PIN	1	1	1	1	1			
7	1	128695-44090	COCK PT1/8	1	1	1	1	1			
8	1	22287-080000	LOCKING WASHER	2	2	2	2	2			
9	1	24311-000350	O-RING 1A P-35.0	2	2	2	2	2			
10	1	24311-000440	O-RING 1A P-44.0	2	2	2	2	2			
11	1	26106-080402	BOLT M 8X 40 PLATED	2	2	2	2	2			



Fig.71.CONTROL DEVICE

Fig.71 ソウジュウソウチ  
CONTROL DEVICE



REFER TO FIG.65

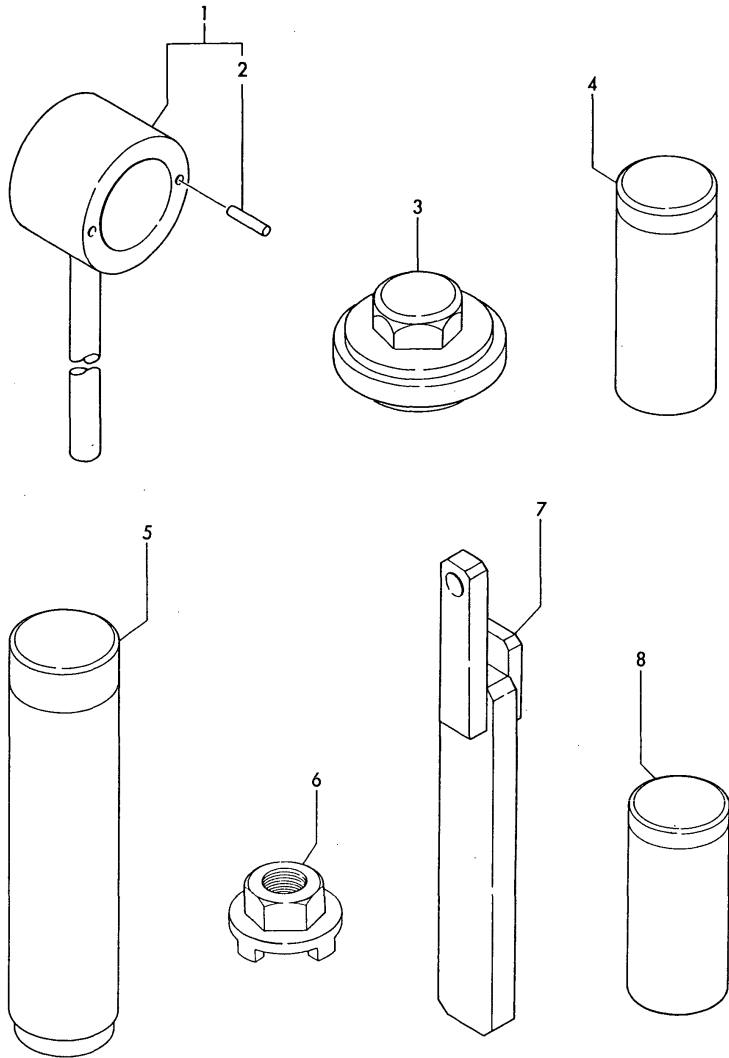
REFER TO FIG.65

(A)=4JH2E (D)=4JH2-DTE  
(B)=4JH2-TE (E)=4JH2-UTE(B)  
(C)=4JH2-HTE (F)=

REF.	LEV.	PARTS NO.	DESCRIPTION	QTY						I R
				(A)	(B)	(C)	(D)	(E)	(F)	
1	1	177073-06200	PIVOT	1	1	1	1	1		
2	1	177088-06340	SHAFT ASSY	1	1	1	1	1		
4	2	196322-06610	PIN 5X18	1	1	1	1	1		
5	2	22351-020012	SPRING PIN 2X 12	1	1	1	1	1		
6	1	177088-06360	BOLT	1	1	1	1	1		
7	1	177088-06370	SPRING	1	1	1	1	1		
8	1	177088-06380	SHIM SET	1	1	1	1	1		
9	1	177088-06390	SHIFTER	1	1	1	1	1		
10	1	177088-06400	LEVER	1	1	1	1	1		
11	1	22137-060000	WASHER 6, POLISHED	1	1	1	1	1		
12	1	22417-200120	COTTER PIN 2.0X12	1	1	1	1	1		
13	1	26106-080252	BOLT M 8X 25 PLATED	1	1	1	1	1		
14	1	177073-06600	STAY	1	1	1	1	1		
15	1	22217-050000	SPRING WASHER 5	2	2	2	2	2		
16	1	26557-050162	SCREW M 5X 16	2	2	2	2	2		
17	1	26716-050002	NUT M 5	2	2	2	2	2		
18	1	41710-000410	CLAMP	1	1	1	1	1		

Fig.72.TOOL(OPTIONAL)

Fig.72 **72** ブンカイコウグ(オプション)  
TOOL (OPTIONAL PART)



Remarks  
 1) FOR TORQUE LIMITER  
 2) FOR CLUTCH SHAFT  
 3) FOR INPUT SHAFT & OUTPUT SHAFT  
 4) FOR OUTPUT SHAFT  
 5) FOR COUPLING,OUTPUT SHAFT  
 6) FOR CLUTCH SHAFT & IDLE GEAR SHAFT

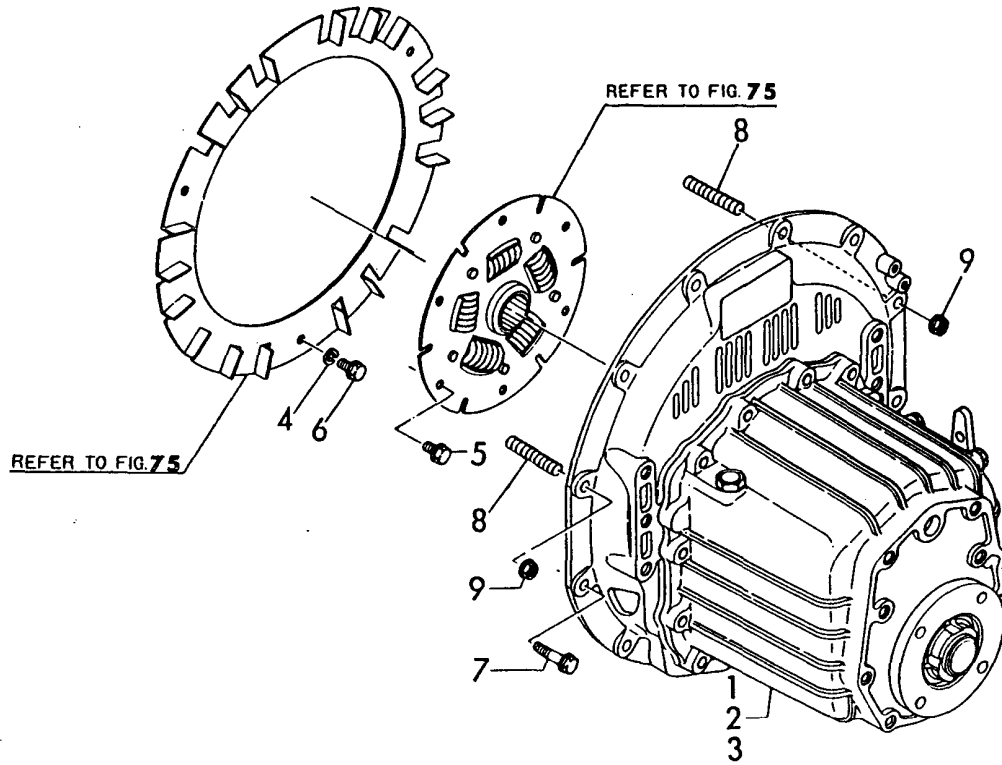
(A)=4JH2E (D)=4JH2-DTE  
 (B)=4JH2-TE (E)=4JH2-UTE(B)  
 (C)=4JH2-HTE (F)=

REF.	LEV.	PARTS NO.	DESCRIPTION	QTY						I	R
				(A)	(B)	(C)	(D)	(E)	(F)		
1	1	177073-09010	TOOL	1	1	1	1	1	1		1
2	2	22312-040200	PARALLEL PIN 4X20	2	2	2	2	2	2		
3	1	177073-09020	RENCH(TOOL)	1	1	1	1	1	1		1
4	1	177073-09030	TOOL	1	1	1	1	1	1		2
5	1	177075-09030	TOOL	1	1	1	1	1	1		3
6	1	177073-09050	SOCKET	1	1	1	1	1	1		4
7	1	177075-09050	CIRCLIP	1	1	1	1	1	1		5
8	1	177088-09150	TOOL, DRIVE	1	1	1	1	1	1		6

(A)=4JH2E (D)=4JH2-DTE  
 (B)=4JH2-TE (E)=4JH2-UTE(B)  
 (C)=4JH2-HTE (F)=

Fig.73.CLUTCH ASSY(KBW20)

Fig. **73** クラッチシクミ(KBW20)  
 CLUTCH ASSY

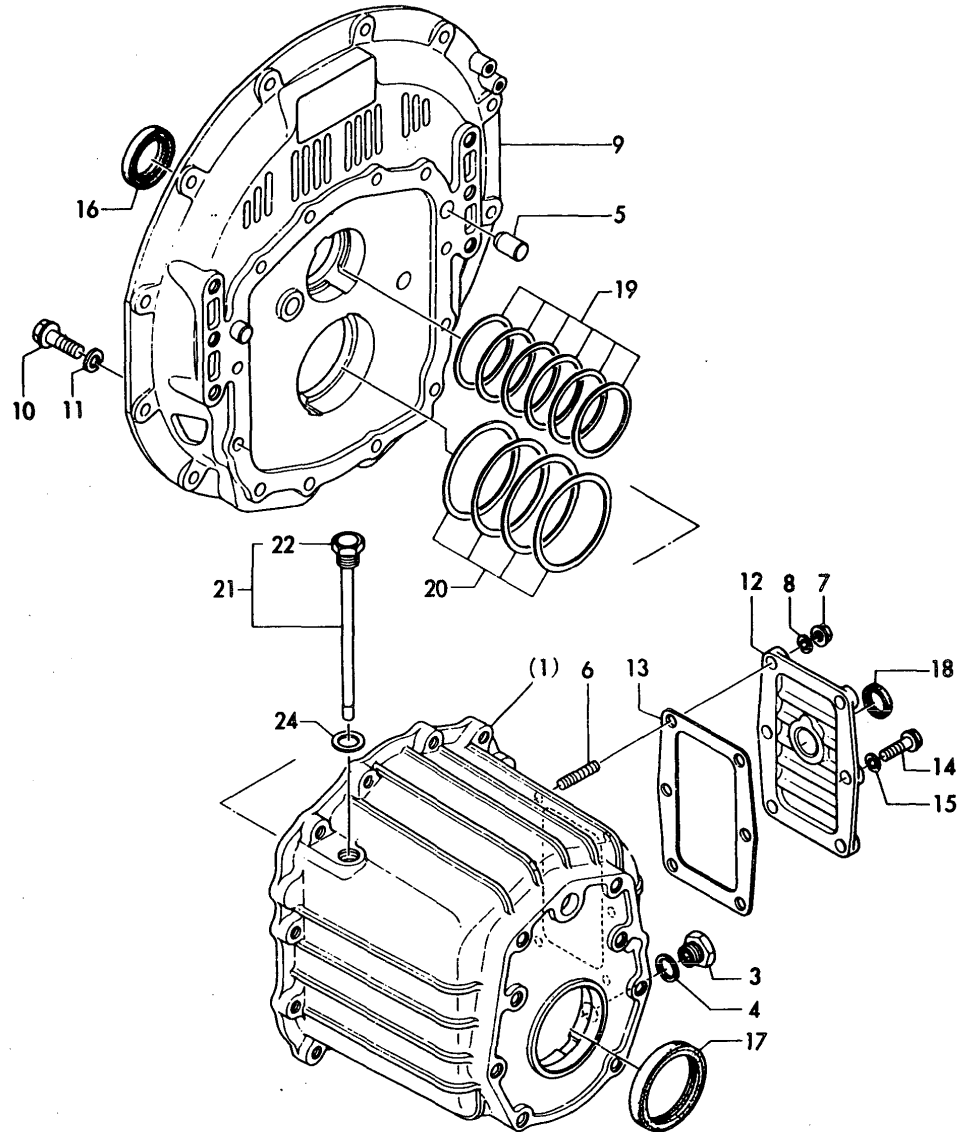


REF.	LEV.	PARTS NO.	DESCRIPTION	QTY						I	R
				(A)	(B)	(C)	(D)	(E)	(F)		
1	1	129472-81011	CLUTCH ASSY.(l=2.17)	1	1						1
2	1	129472-81021	CLUTCH ASSY.(l=2.62)	1	1						2
3	1	129472-81031	CLUTCH ASSY.(l=3.28)	1							3
4	1	22217-080000	SPRING WASHER 8	3	3						
5	1	26106-080162	BOLT M 8X 16 PLATED	6	6						
6	1	26106-080162	BOLT M 8X 16 PLATED	3	3						
7	1	26106-100302	BOLT M10X 30 PLATED	8	8						
8	1	26226-100222	STUD M10X 22 PLATED	2	2						
9	1	26716-100002	NUT 10	2	2						

Fig.74.CLUTCH HOUSING

(A)=4JH2E (D)=4JH2-DTE  
 (B)=4JH2-TE (E)=4JH2-UTE(B)  
 (C)=4JH2-HTE (F)=

Fig.74 クラッチケース  
 CLUTCH HOUSING



REF.	LEV.	PARTS NO.	DESCRIPTION	QTY						I	R
				(A)	(B)	(C)	(D)	(E)	(F)		
1	1	777075-02550	HOUSING ASSY, CLUTCH	1	1						
3	2	177035-02920	PLUG M16X1.5,MAGNET.	1	1						
4	2	23414-160021	GASKET 16	1	1						
5	2	177099-02130	STRAIGHT PIN	2	2						
6	2	26216-080222	STUD M 8X 22 PLATED	3	3						
7	2	26366-080002	NUT M 8	3	3						
8	2	22287-080000	LOCKING WASHER	3	3						
9	1	177075-02041	FLANGE	1	1						
10	1	26106-100302	BOLT M10X 30 PLATED	12	12						
11	1	22287-100000	WASHER 10	12	12						
12	1	177099-02081	COVER, SIDE	1	1						
13	1	177099-02091	GASKET	1	1						
14	1	26106-080252	BOLT M 8X 25 PLATED	3	3						
15	1	22287-080000	LOCKING WASHER	3	3						
16	1	177095-02960	SEAL SB35 47 7, OIL	1	1						
17	1	177090-02970	SEAL TC54 70 9, OIL	1	1						
18	1	177095-02980	SEAL, OIL	1	1						
19	1	177075-02150	SHIM SET	1	1						
20	1	177075-02250	SHIM	1	1						
21	1	177099-02450	DIPSTICK W/BREATHER	1	1						
22	2	177099-02470	COVER	1	1						
24	1	23414-160021	GASKET 16	1	1						

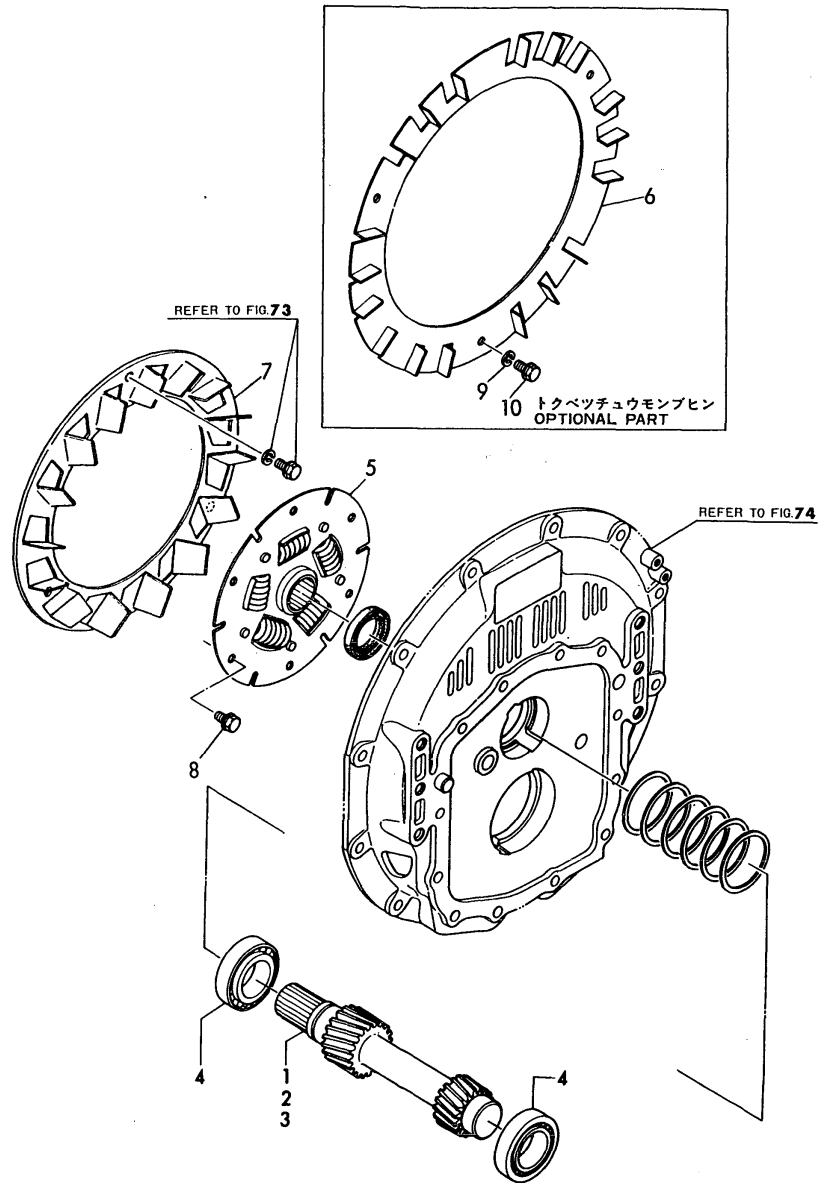
inc.(1)~ 8



Fig.75.INPUT SHAFT

(A)=4JH2E (D)=4JH2-DTE  
 (B)=4JH2-TE (E)=4JH2-UTE(B)  
 (C)=4JH2-HTE (F)=

Fig.75 ニュウリョクジク  
 INPUT SHAFT

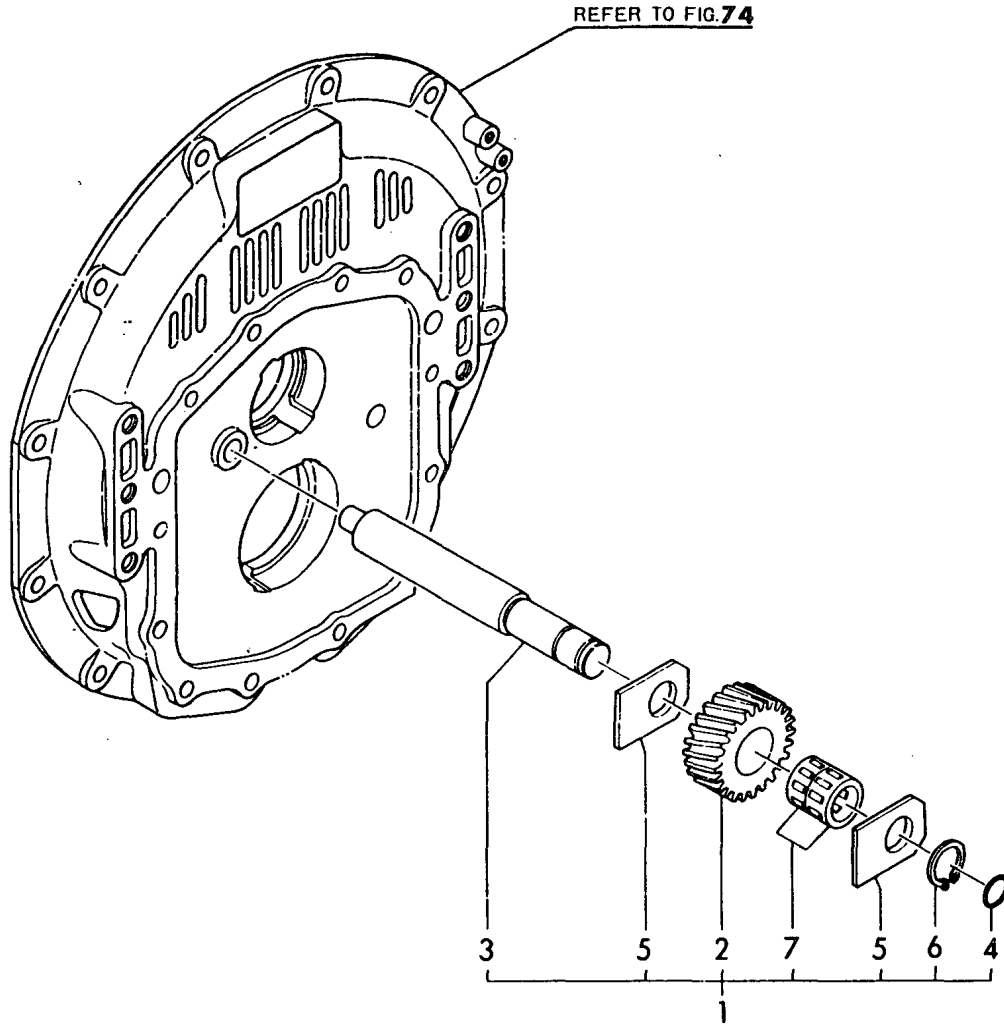


REF.	LEV.	PARTS NO.	DESCRIPTION	QTY						I	R
				(A)	(B)	(C)	(D)	(E)	(F)		
1	1	177075-03611	SHAFT, INPUT	1	1						1
2	1	177075-03011	SHAFT, INPUT	1	1						2
3	1	177075-03411	SHAFT, INPUT	1							3
4	1	24141-320070	ROLLER BEARING	2	2						4
5	1	177090-03500	DISC, DAMPER	1	1						
6	1	177075-03510	FAN	1	1						4
7	1	177073-03191	FAN	1	1						
8	1	26106-080162	BOLT M 8X 16 PLATED	6	6						
9	1	22217-080000	SPRING WASHER 8	3	3						4
10	1	26106-080162	BOLT M 8X 16 PLATED	3	3						4

Remarks  
 1) OPTIONAL PART

Fig.76.COUNTER SHAFT

**Fig.76** チュウカンジク  
COUNTER SHAFT



(A)=4JH2E (D)=4JH2-DTE  
(B)=4JH2-TE (E)=4JH2-UTE(B)  
(C)=4JH2-HTE (F)=

REF.	LEV.	PARTS NO.	DESCRIPTION	QTY						I	R
				(A)	(B)	(C)	(D)	(E)	(F)		
1	1	777075-03021	SHAFT ASSY, COUNTER	1	1						
2	2	177075-03300	GEAR	1	1						
3	2	177075-03311	SHAFT	1	1						
4	2	24311-000180	O-RING 1A P-18.0	1	1						
5	2	177075-03320	WASHER	2	2						
6	2	22242-000220	CIRCLIP 22	1	1						
7	2	24161-222916	NEEDLE BEARING	2	2						

Fig.77.OUTPUT SHAFT

(A)=4JH2E (D)=4JH2-DTE  
 (B)=4JH2-TE (E)=4JH2-UTE(B)  
 (C)=4JH2-HTE (F)=

Fig.77 スイリョクジク  
 OUTPUT SHAFT

REF.	LEV.	PARTS NO.	DESCRIPTION	QTY						I	R
				(A)	(B)	(C)	(D)	(E)	(F)		
1	1	177075-03020	SHAFT, THRUST	1	1						
2	1	177075-03040	PLATE ASSY, DRIVING	1	1						
4	2	177095-03030	PARALLEL PIN	3	3						
5	2	177095-03040	PARALLEL PIN	3	3						
6	1	177090-03230	KEY	2	2						
7	1	177095-03190	PIN	3	3						
8	1	177095-03200	SPRING	3	3						
9	1	177075-03250	RETAINER	2	2						
10	1	177075-03220	RING	1	1						
11	1	24190-120001	BALL 3/8,STEEL	6	6						
12	1	177095-03210	SPRING, RETURN	3	3						
13	1	177075-03630	GEAR Z=52	1	1						1
14	1	177075-03100	GEAR	1	1						2
15	1	177075-03430	GEAR	1							3
16	1	177075-03110	GEAR	1	1						
17	1	177075-03960	SPRING	4	4						
18	1	177075-03280	CIRCLIP	2	2						
19	1	177075-03130	RETAINER	2	2						
20	1	177075-03880	DISK, FRICTION	12	12						
21	1	177020-03380	PLATE, STEEL	10	10						
22	1	177075-03160	SPACER	1	1						
23	1	177075-03170	SPACER	1	1						
24	1	177075-03270	COLLAR	2	2						
25	1	177075-03550	COUPLING	1	1						
26	1	24311-000350	O-RING 1A P-35.0	1	1						
27	1	177075-03540	NUT	1	1						
28	1	24161-455017	NEEDLE BEARING	4	4						
29	1	177075-03470	RACE, INNER	2	2						
30	1	24141-302080	ROLLER BEARING	2	2						
31	1	177075-03800	SHIM	2	2						

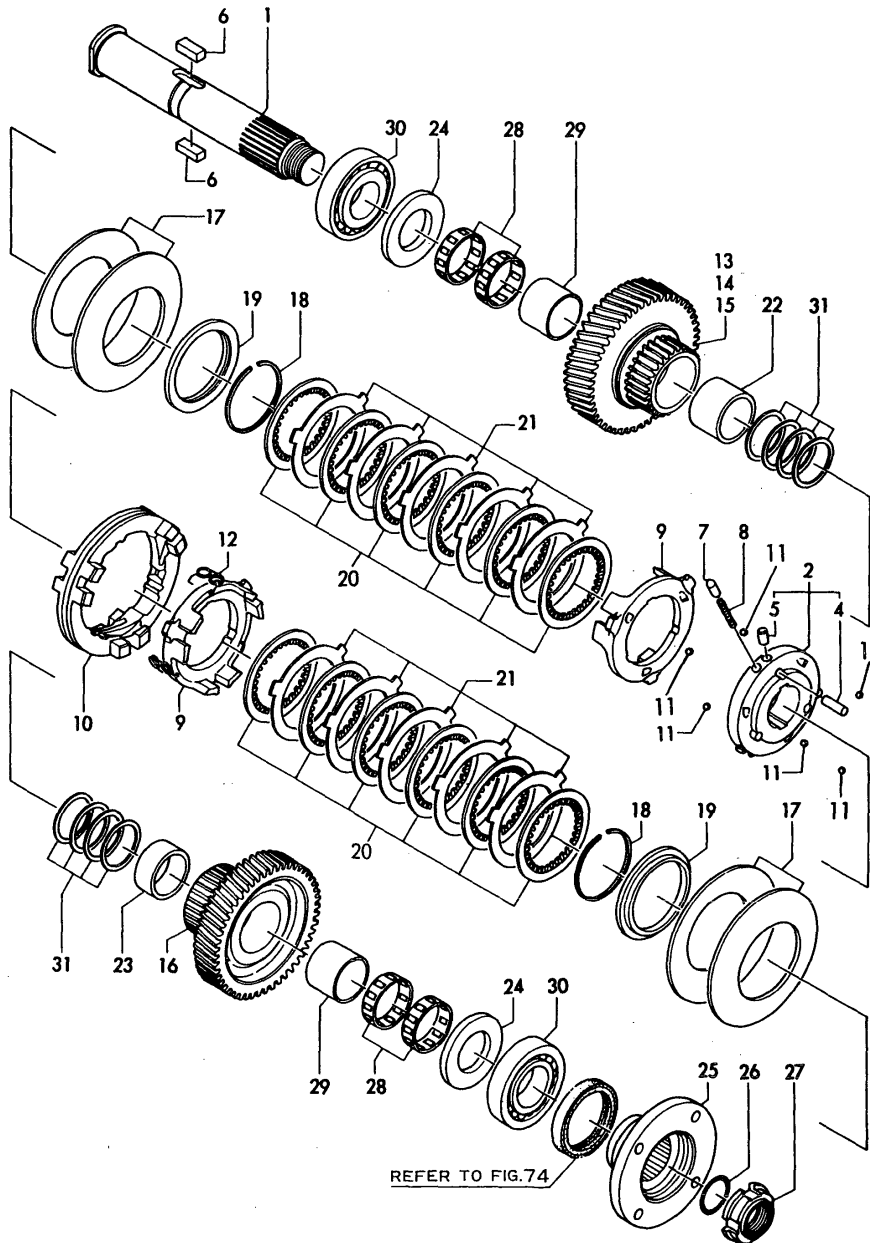
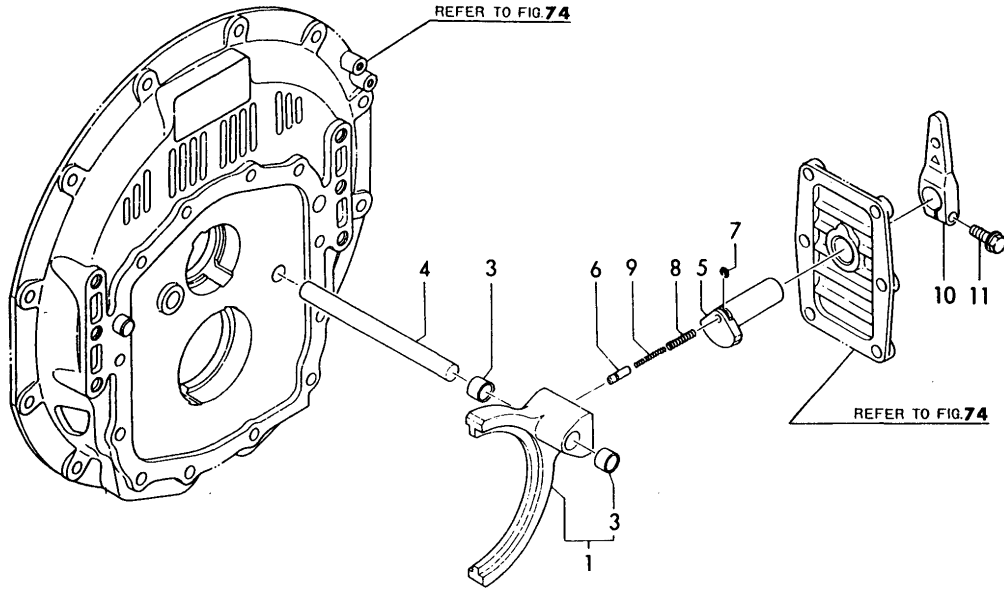


Fig.78.CONTROL DEVICE

Fig.78 ソウジュウソウチ  
CONTROL DEVICE



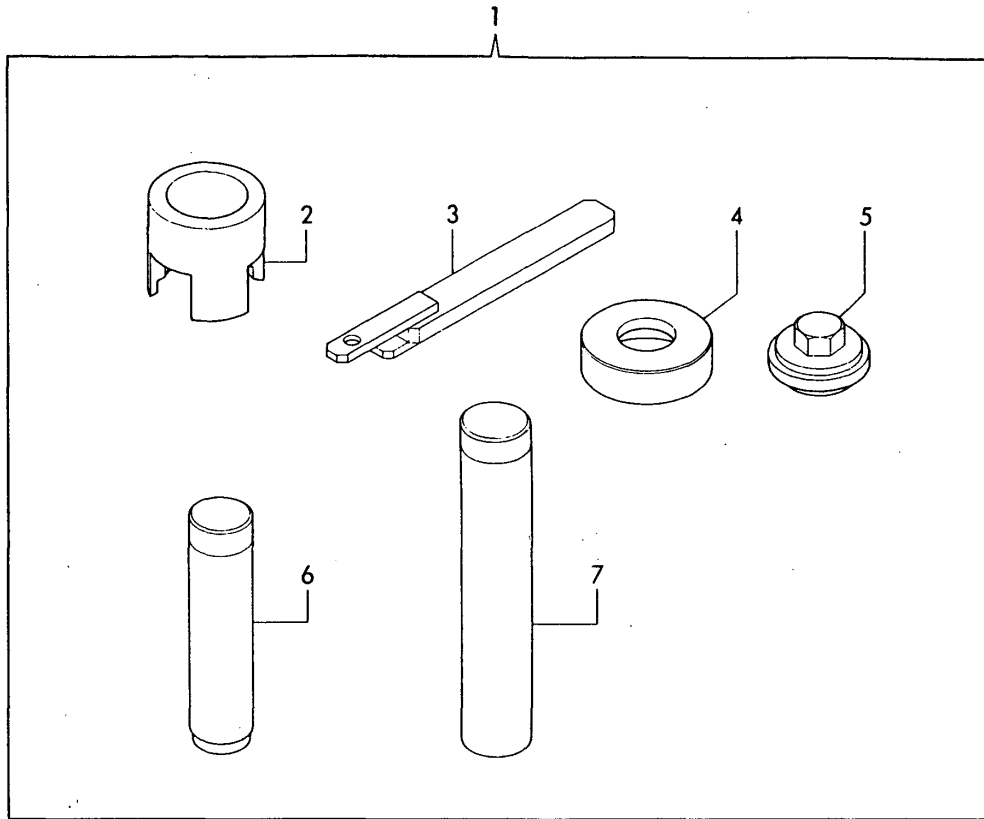
(A)=4JH2E (D)=4JH2-DTE  
(B)=4JH2-TE (E)=4JH2-UTE(B)  
(C)=4JH2-HTE (F)=

REF.	LEV.	PARTS NO.	DESCRIPTION	Q'TY						I	R
				(A)	(B)	(C)	(D)	(E)	(F)		
1	1	177075-06011	FORK ASSY, SHIFT	1	1						
3	2	177095-06070	BEARING, SHIFT FORK	2	2						
4	1	177075-06040	BAR, SHIFT	1	1						
5	1	177095-06030	CAM, SHIFT	1	1						
6	1	177095-06050	PIN	1	1						
7	1	177095-06140	CIRCLIP	1	1						
8	1	177095-03200	SPRING	1	1						
9	1	177095-06060	SPRING	1	1						
10	1	177075-06050	LEVER	1	1						
11	1	26106-080252	BOLT M 8X 25 PLATED	1	1						



Fig.79.TOOL(OPTIONAL)

Fig.79 **ブンカイコウグ(オプション)**  
TOOL(OPTIONAL PART)



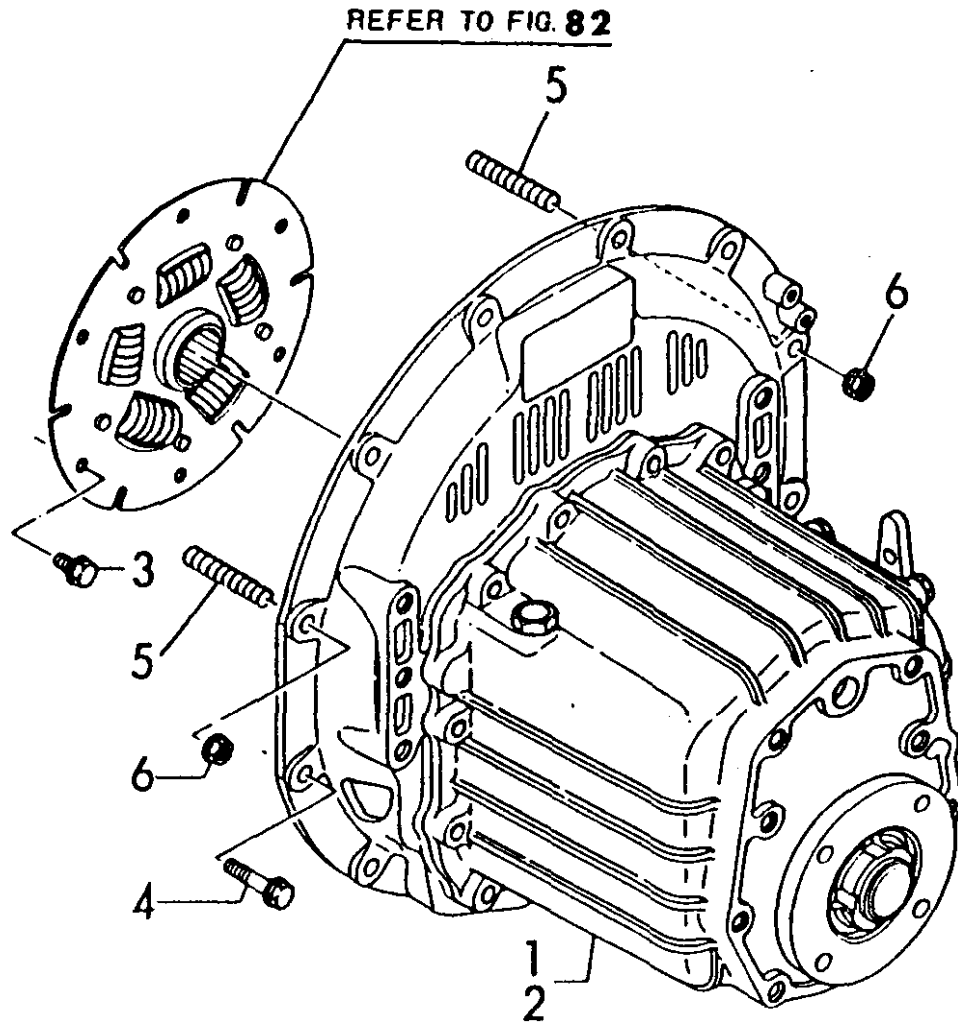
(A)=4JH2E (D)=4JH2-DTE  
(B)=4JH2-TE (E)=4JH2-UTE(B)  
(C)=4JH2-HTE (F)=

REF.	LEV.	PARTS NO.	DESCRIPTION	Q'TY						I	R
				(A)	(B)	(C)	(D)	(E)	(F)		
1	1	777075-09500	TOOLS ASSY	1	1						
2	2	177095-09070	REPLACER	1	1						
3	2	177075-09050	CIRCLIP	1	1						
4	2	177075-09010	SPACER	1	1						
5	2	177075-09020	SOCKET	1	1						
6	2	177075-09030	TOOL	1	1						
7	2	177075-09040	TOOL	1	1						

(A)=4JH2E (D)=4JH2-DTE  
 (B)=4JH2-TE (E)=4JH2-UTE(B)  
 (C)=4JH2-HTE (F)=

Fig.80.CLUTCH ASSY(KBW21)

# Fig. 80 クラッチシクミ(KBW21) CLUTCH ASSY

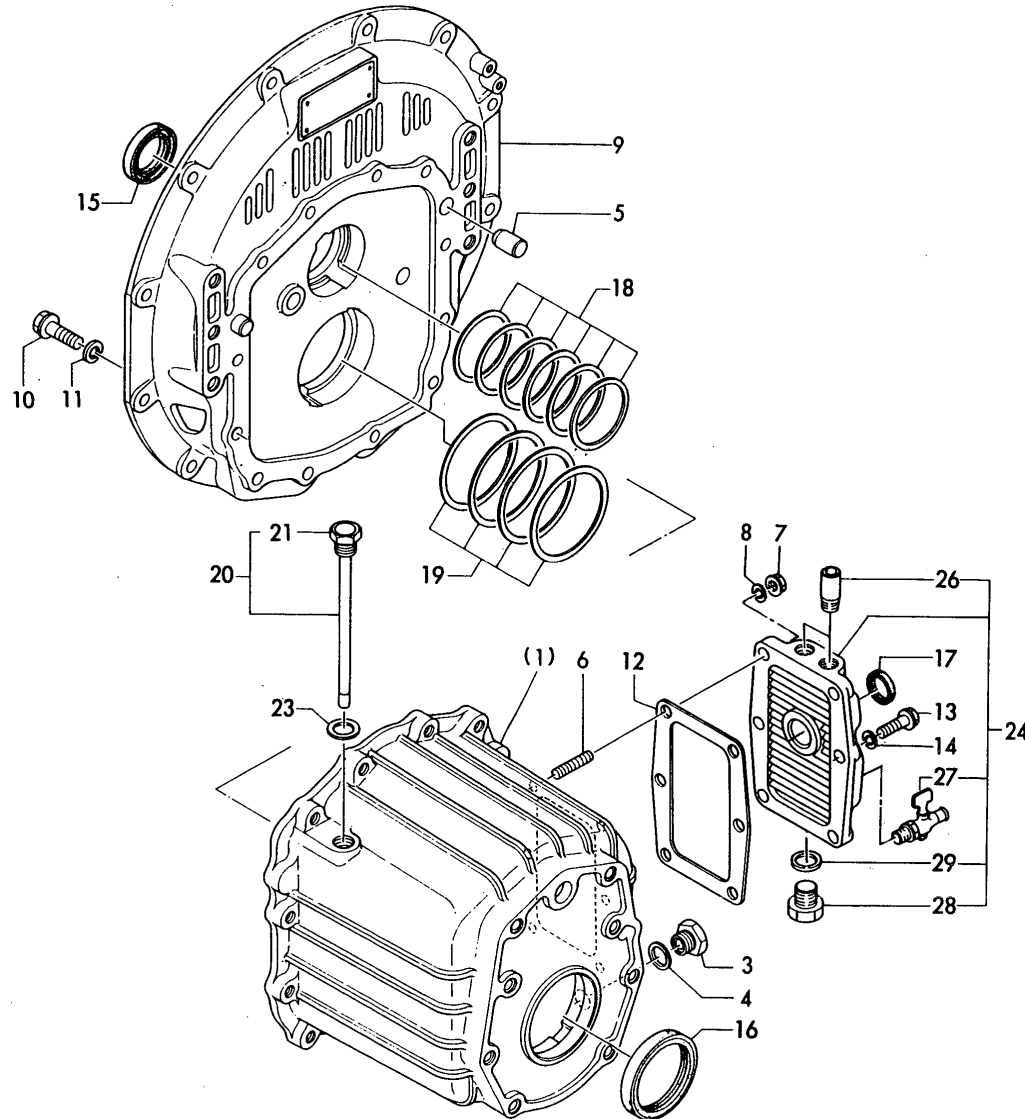


REF.	LEV.	PARTS NO.	DESCRIPTION	QTY						I	R
				(A)	(B)	(C)	(D)	(E)	(F)		
1	1	129474-81011	CULTCH ASSY l=2.17			1	1				1
2	1	129474-81021	CLUTCH CMP			1					2
3	1	26106-080162	BOLT M 8X 16 PLATED			6	6				
4	1	26106-100302	BOLT M10X 30 PLATED			8	8				
5	1	26226-100222	STUD M10X 22 PLATED			2	2				
6	1	26716-100002	NUT 10			2	2				

(A)=4JH2E (D)=4JH2-DTE  
 (B)=4JH2-TE (E)=4JH2-UTE(B)  
 (C)=4JH2-HTE (F)=

Fig.81.CLUTCH HOUSING

Fig.81 クラッチケース  
 CLUTCH HOUSING



inc.(1) ~ 8

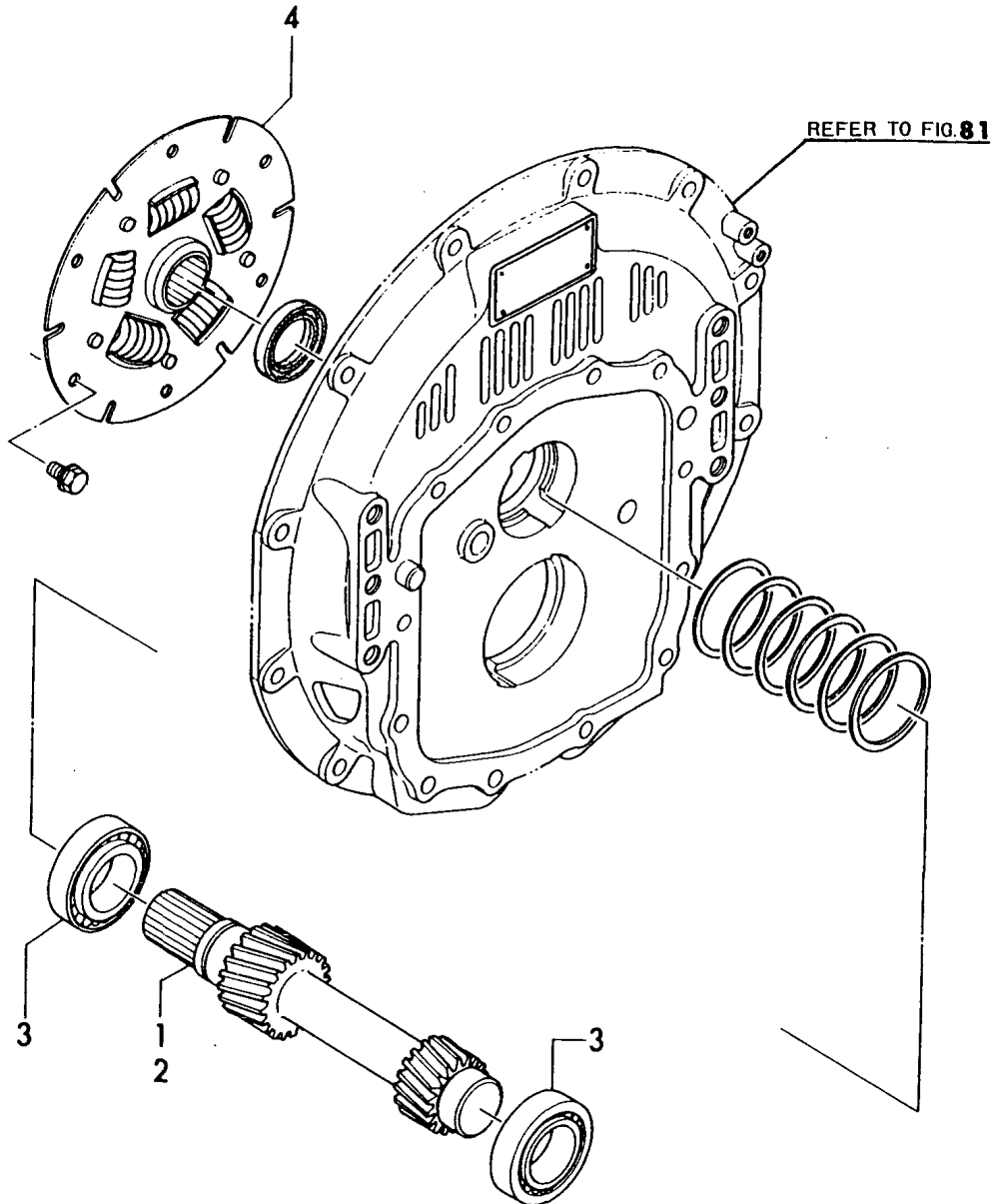


REF.	LEV.	PARTS NO.	DESCRIPTION	QTY						I	R	
				(A)	(B)	(C)	(D)	(E)	(F)			
1	1	777075-02550	HOUSING ASSY, CLUTCH				1	1				
3	2	177035-02920	PLUG M16X1.5,MAGNET.				1	1				
4	2	23414-160021	GASKET 16				1	1				
5	2	177099-02130	STRAIGHT PIN				2	2				
6	2	26216-080222	STUD M 8X 22 PLATED				3	3				
7	2	26366-080002	NUT M 8				3	3				
8	2	22287-080000	LOCKING WASHER				3	3				
9	1	177075-02050	FRANGE				1	1				
10	1	26106-100302	BOLT M10X 30 PLATED				12	12				
11	1	22287-100000	WASHER 10				12	12				
12	1	177099-02091	GASKET				1	1				
13	1	26106-080252	BOLT M 8X 25 PLATED				3	3				
14	1	22287-080000	LOCKING WASHER				3	3				
15	1	177095-02960	SEAL SB35 47 7, OIL				1	1				
16	1	177090-02970	SEAL TC54 70 9, OIL				1	1				
17	1	177095-02980	SEAL, OIL				1	1				
18	1	177075-02150	SHIM SET				1	1				
19	1	177075-02250	SHIM				1	1				
20	1	177099-02450	DIPSTICK W/BREATHER				1	1				
21	2	177099-02470	COVER				1	1				
23	1	23414-160021	GASKET 16				1	1				
24	1	777075-04800	COOLER ASSY.				1	1				
26	2	177075-04050	JOINT, PIPE				2	2				
27	2	128695-44090	COCK PT1/8				1	1				
28	2	23884-160002	PLUG 16				1	1				
29	2	23414-160021	GASKET 16				1	1				

(A)=4JH2E (D)=4JH2-DTE  
 (B)=4JH2-TE (E)=4JH2-UTE(B)  
 (C)=4JH2-HTE (F)=

Fig.82.INPUT SHAFT

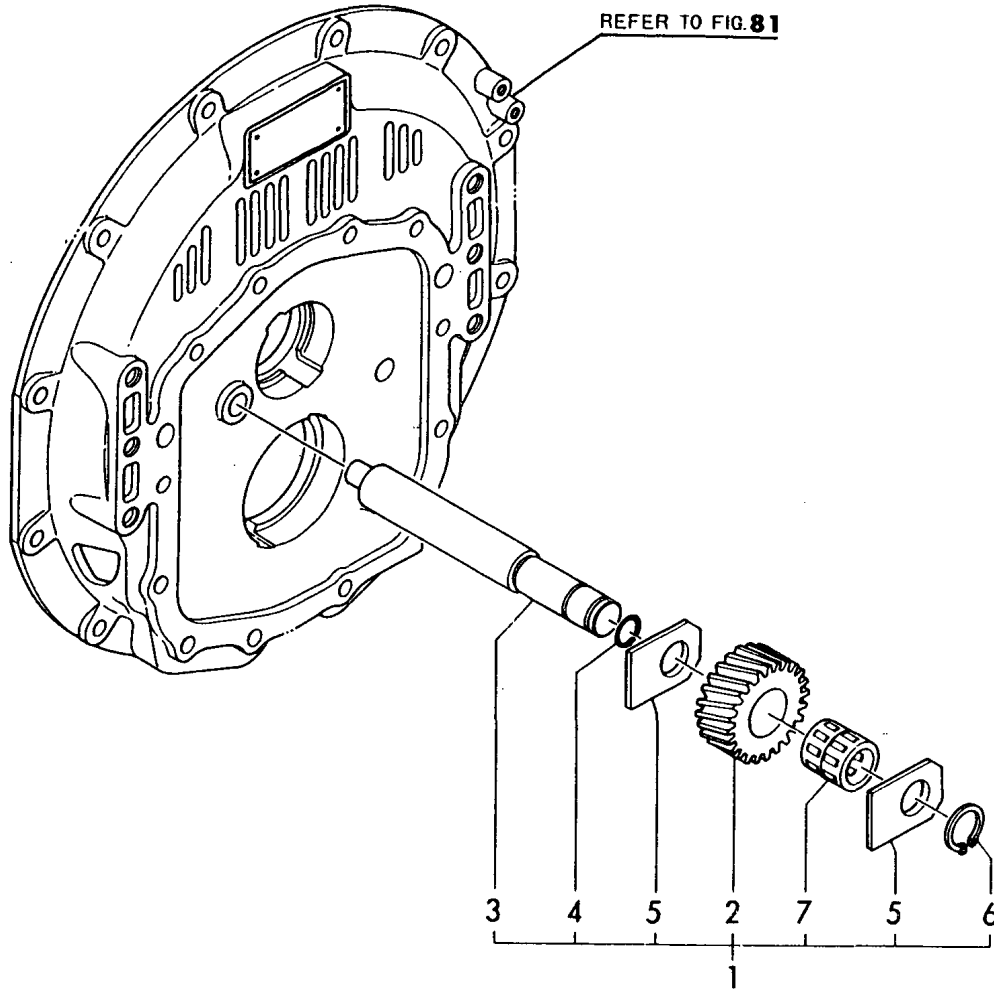
Fig. **82** ニュウリョクジク  
 INPUT SHAFT



REF.	LEV.	PARTS NO.	DESCRIPTION	QTY						I	R
				(A)	(B)	(C)	(D)	(E)	(F)		
1	1	177075-03621	INPUT SHAFT I2.17				1	1			1
2	1	177075-03031	INPUT SHAFT I2.62				1				2
3	1	24141-320070	ROLLER BEARING				2	2			
4	1	177090-03500	DISC, DAMPER				1	1			

Fig.83.COUNTER SHAFT

**Fig.83** チュウカンジク  
COUNTER SHAFT



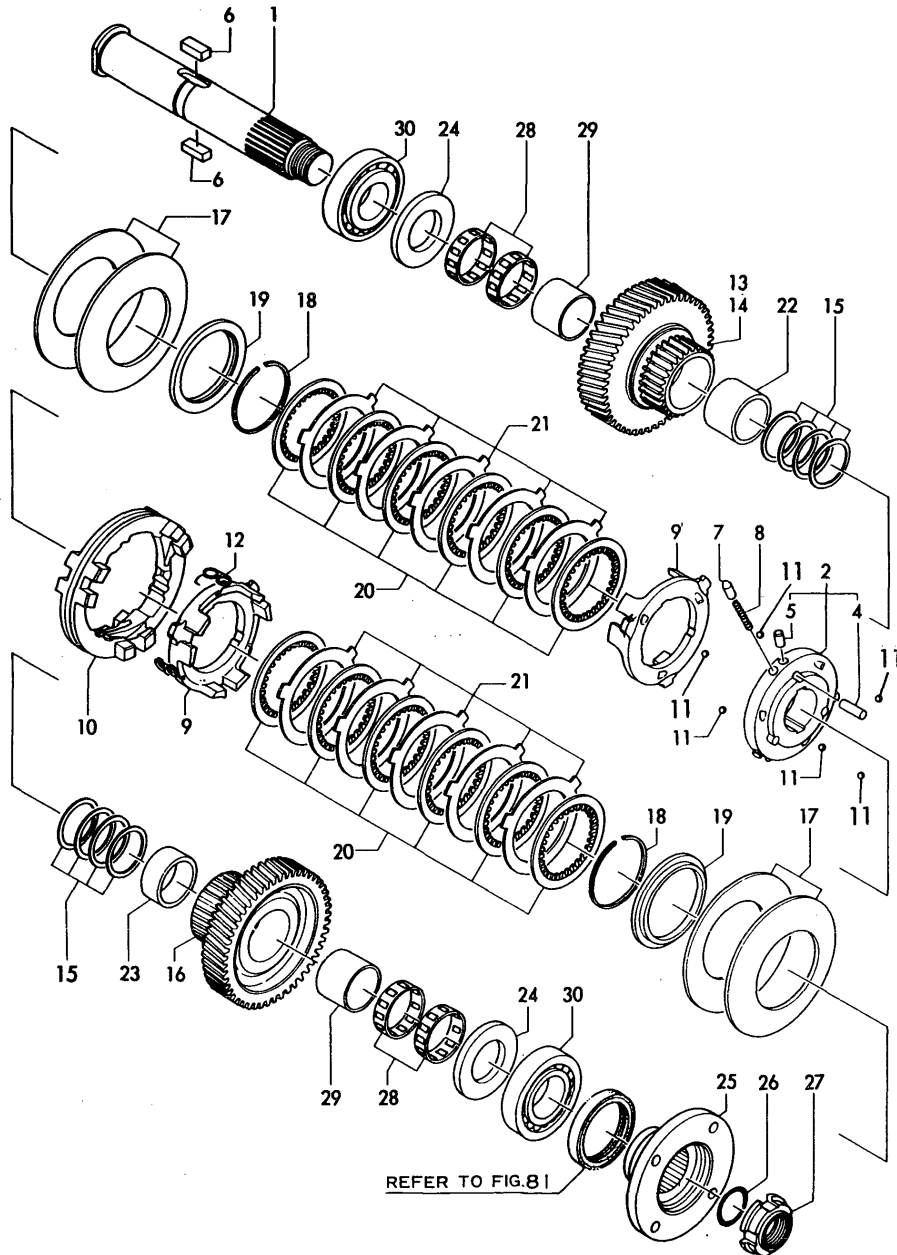
(A)=4JH2E (D)=4JH2-DTE  
(B)=4JH2-TE (E)=4JH2-UTE(B)  
(C)=4JH2-HTE (F)=

REF.	LEV.	PARTS NO.	DESCRIPTION	QTY						I	R	
				(A)	(B)	(C)	(D)	(E)	(F)			
1	1	777075-03021	SHAFT ASSY, COUNTER				1	1				
2	2	177075-03300	GEAR				1	1				
3	2	177075-03311	SHAFT				1	1				
4	2	24311-000180	O-RING 1A P-18.0				1	1				
5	2	177075-03320	WASHER				2	2				
6	2	22242-000220	CIRCLIP 22				1	1				
7	2	24161-222916	NEEDLE BEARING				2	2				

Fig.84.OUTPUT SHAFT

(A)=4JH2E (D)=4JH2-DTE  
 (B)=4JH2-TE (E)=4JH2-UTE(B)  
 (C)=4JH2-HTE (F)=

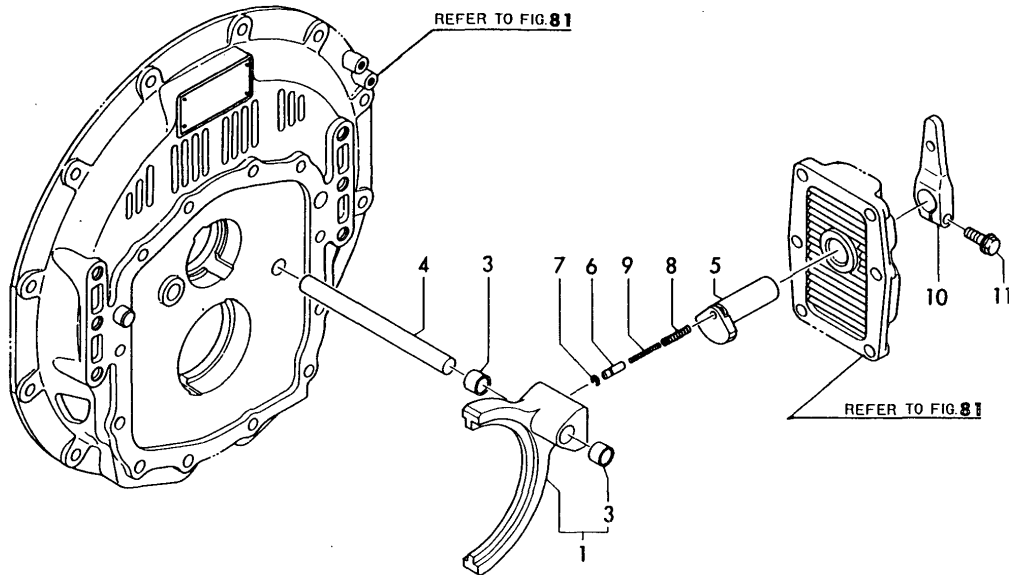
Fig.84 スイリヨクジク  
 OUTPUT SHAFT



REF.	LEV.	PARTS NO.	DESCRIPTION	QTY						I	R	
				(A)	(B)	(C)	(D)	(E)	(F)			
1	1	177075-03020	SHAFT, THRUST				1	1				
2	1	177075-03040	PLATE ASSY, DRIVING				1	1				
4	2	177095-03030	PARALLEL PIN				3	3				
5	2	177095-03040	PARALLEL PIN				3	3				
6	1	177090-03230	KEY				2	2				
7	1	177095-03190	PIN				3	3				
8	1	177095-03200	SPRING				3	3				
9	1	177075-03250	RETAINER				2	2				
10	1	177075-03220	RING				1	1				
11	1	24190-120000	BALL 3/8				6	6				
12	1	177095-03210	SPRING, RETURN				3	3				
13	1	177075-03640	GEAR Z52 I2.17				1	1				1
14	1	177075-03090	GEAR Z55 I2.62				1	1				2
15	1	177075-03800	SHIM				2	2				
16	1	177075-03110	GEAR				1	1				
17	1	177075-03960	SPRING				4	4				
18	1	177075-03280	CIRCLIP				2	2				
19	1	177075-03130	RETAINER				2	2				
20	1	177075-03880	DISK, FRICTION				12	12				
21	1	177020-03380	PLATE, STEEL				10	10				
22	1	177075-03160	SPACER				1	1				
23	1	177075-03170	SPACER				1	1				
24	1	177075-03270	COLLAR				2	2				
25	1	177075-03550	COUPLING				1	1				
26	1	24311-000350	O-RING 1A P-35.0				1	1				
27	1	177075-03540	NUT				1	1				
28	1	24161-455017	NEEDLE BEARING				4	4				
29	1	177075-03470	RACE, INNER				2	2				
30	1	24141-302080	ROLLER BEARING				2	2				

Fig.85.CONTROL DEVICE

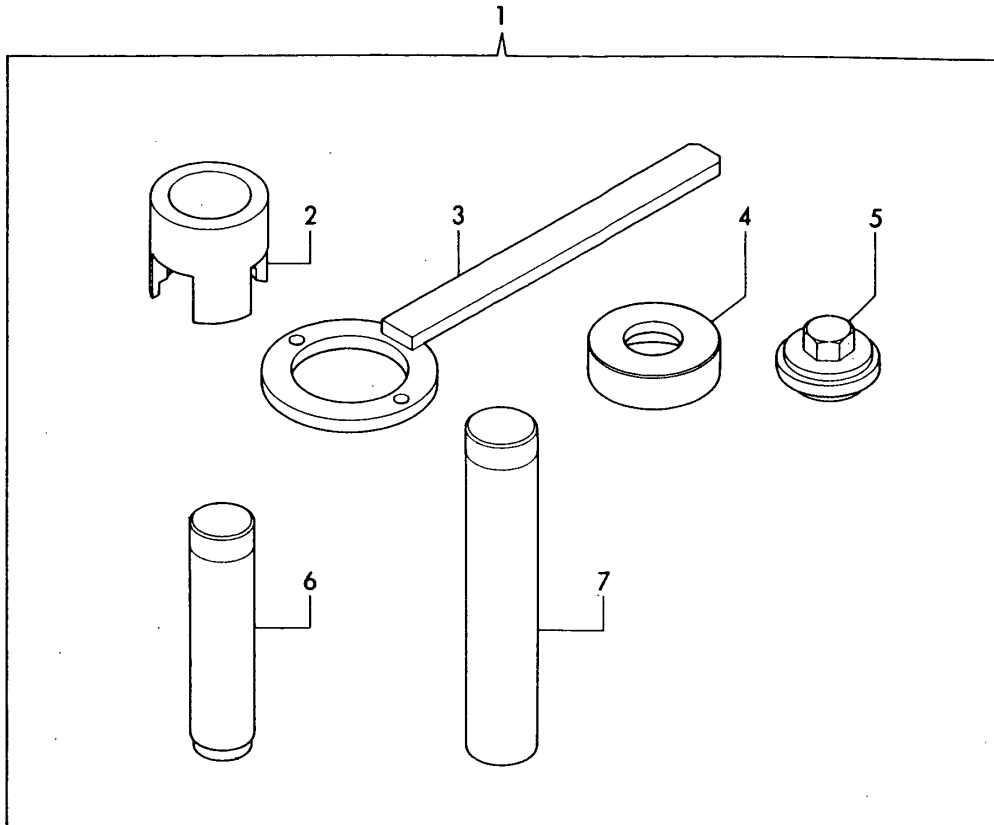
Fig.85 ソウジュウソウチ  
CONTROL DEVICE



(A)=4JH2E (D)=4JH2-DTE  
(B)=4JH2-TE (E)=4JH2-UTE(B)  
(C)=4JH2-HTE (F)=

REF.	LEV.	PARTS NO.	DESCRIPTION	QTY						I	R	
				(A)	(B)	(C)	(D)	(E)	(F)			
1	1	177075-06011	FORK ASSY, SHIFT				1	1				
3	2	177095-06070	BEARING, SHIFT FORK				2	2				
4	1	177075-06040	BAR, SHIFT				1	1				
5	1	177095-06030	CAM, SHIFT				1	1				
6	1	177095-06050	PIN				1	1				
7	1	177095-06140	CIRCLIP				1	1				
8	1	177095-03200	SPRING				1	1				
9	1	177095-06060	SPRING				1	1				
10	1	177075-06050	LEVER				1	1				
11	1	26106-080252	BOLT M 8X 25 PLATED				1	1				

Fig.86 ブンカイコウグ(オプション)  
 TOOL(OPTIONAL PART)

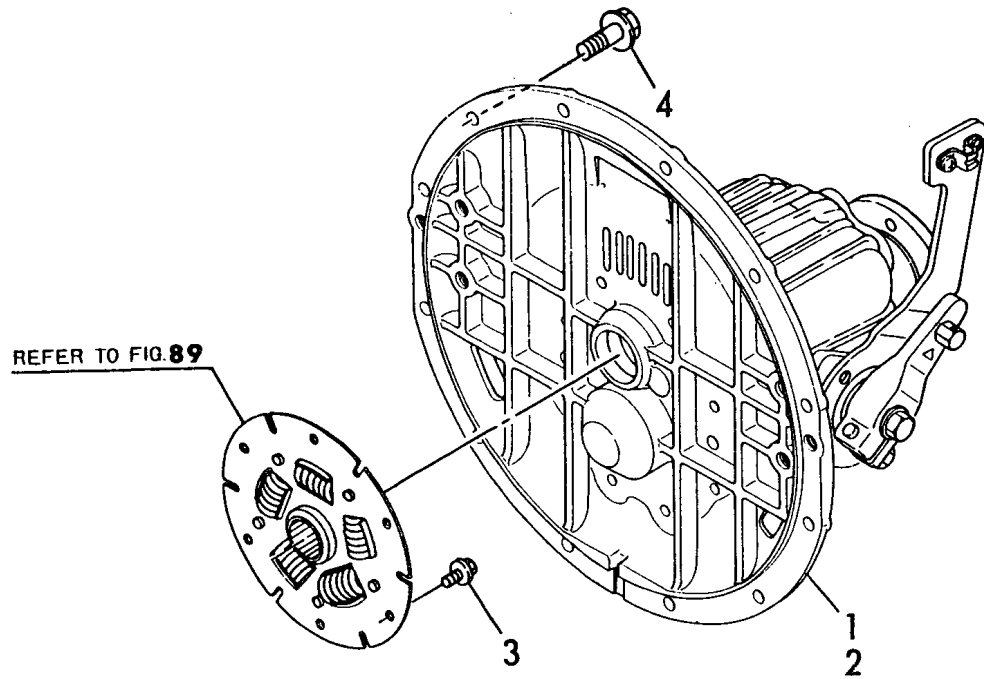


REF.	LEV.	PARTS NO.	DESCRIPTION	QTY						I	R	
				(A)	(B)	(C)	(D)	(E)	(F)			
1	1	777075-09500	TOOLS ASSY				1	1				
2	2	177095-09070	REPLACER				1	1				
3	2	177075-09050	CIRCLIP				1	1				
4	2	177075-09010	SPACER				1	1				
5	2	177075-09020	SOCKET				1	1				
6	2	177075-09030	TOOL				1	1				
7	2	177075-09040	TOOL				1	1				



Fig.87.CLUTCH ASSY(KM3P2)

Fig. **87** クラッチシクミ(KM3P2)  
CLUTCH ASSY

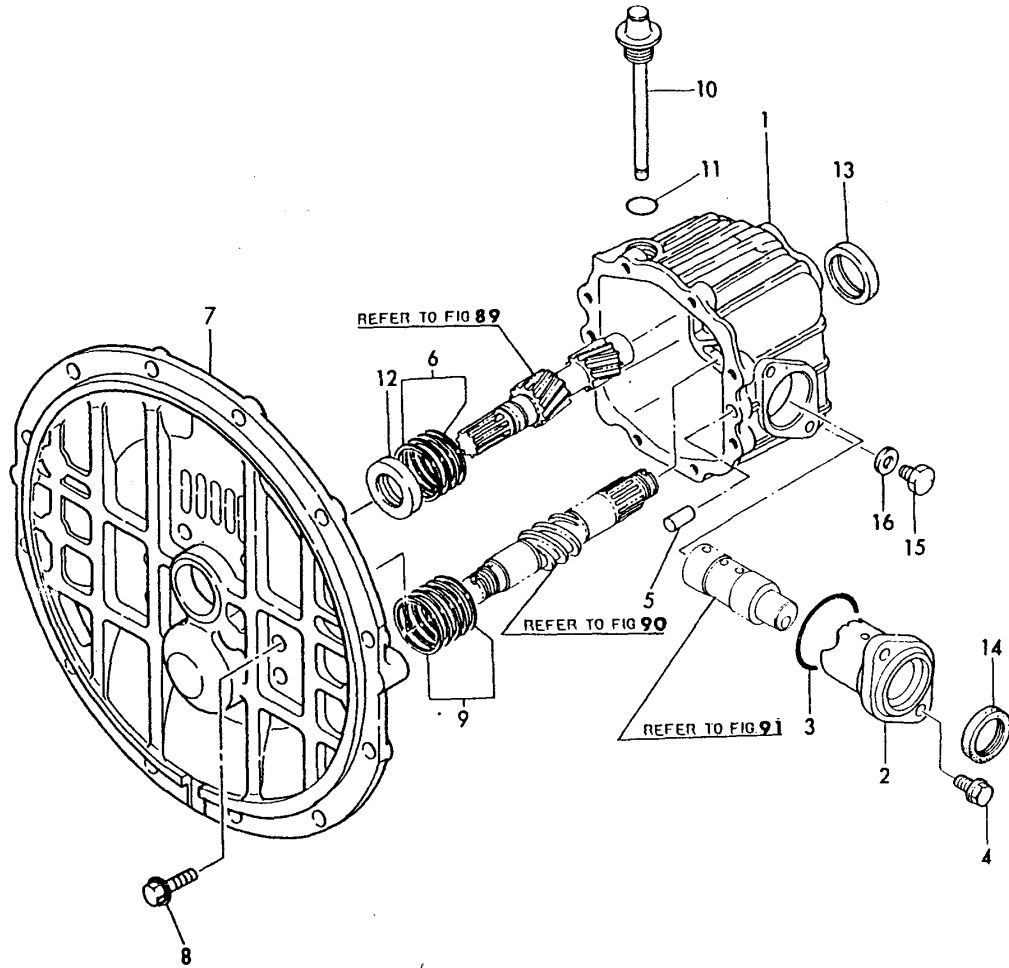


(A)=4JH2E (D)=4JH2-DTE  
(B)=4JH2-TE (E)=4JH2-UTE(B)  
(C)=4JH2-HTE (F)=

REF.	LEV.	PARTS NO.	DESCRIPTION	QTY						I	R
				(A)	(B)	(C)	(D)	(E)	(F)		
1	1	129570-81010	CLUTCH CMP	1							1
2	1	129570-81020	CLUTCH CMP	1							2
3	1	26106-080162	BOLT M 8X 16 PLATED	6							
4	1	26106-100302	BOLT M10X 30 PLATED	10							

Fig.88.CLUTCH HOUSING

Fig. **88** クラッチケース  
CLUTCH HOUSING



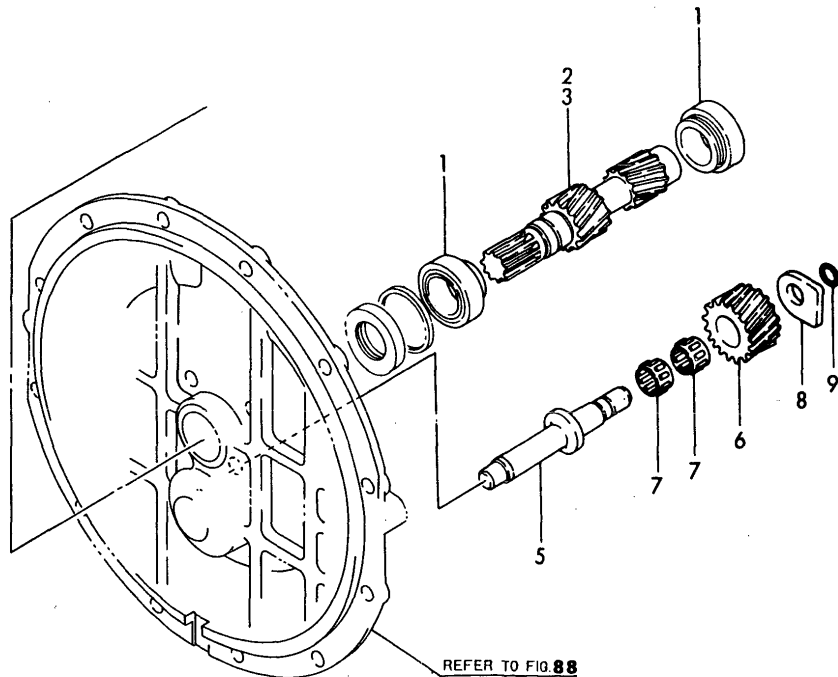
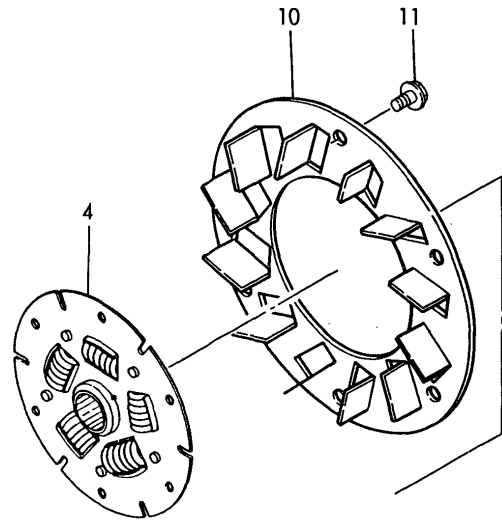
(A)=4JH2E (D)=4JH2-DTE  
(B)=4JH2-TE (E)=4JH2-UTE(B)  
(C)=4JH2-HTE (F)=

REF.	LEV.	PARTS NO.	DESCRIPTION	QTY						I	R
				(A)	(B)	(C)	(D)	(E)	(F)		
1	1	177070-02012	HOUSING, CLUTCH	1							
2	1	177088-02120	COVER, SIDE	1							
3	1	24321-000400	O-RING 1A G-40.0	1							
4	1	26016-080302	BOLT M 8X 30	2							
5	1	22312-100160	PARALLEL PIN 10X16	2							
6	1	177088-02350	SHIM SET	1							
7	1	177070-02080	FLANGE	1							
8	1	26016-080252	BOLT M 8X 25	8							
9	1	177088-02300	SHIM SET	1							
10	1	177088-02451	DIPSTICK, LUB. OIL	1							
11	1	24311-000180	O-RING 1A P-18.0	1							
12	1	177088-02950	SEAL SC25 40 8, OIL	1							
13	1	177088-02961	SEAL MHA34 44 8, OIL	1							
14	1	24421-284008	SEAL TC28 40 08, OIL	1							
15	1	23887-100002	PLUG 10	1							
16	1	23414-100000	GASKET 10, ROUND	1							

(A)=4JH2E (D)=4JH2-DTE  
 (B)=4JH2-TE (E)=4JH2-UTE(B)  
 (C)=4JH2-HTE (F)=

Fig.89.INPUT SHAFT & COUNTER SHAFT

Fig. **89** ニュウリョクジク&チュウカンジク  
 INPUT SHAFT & COUNTER SHAFT

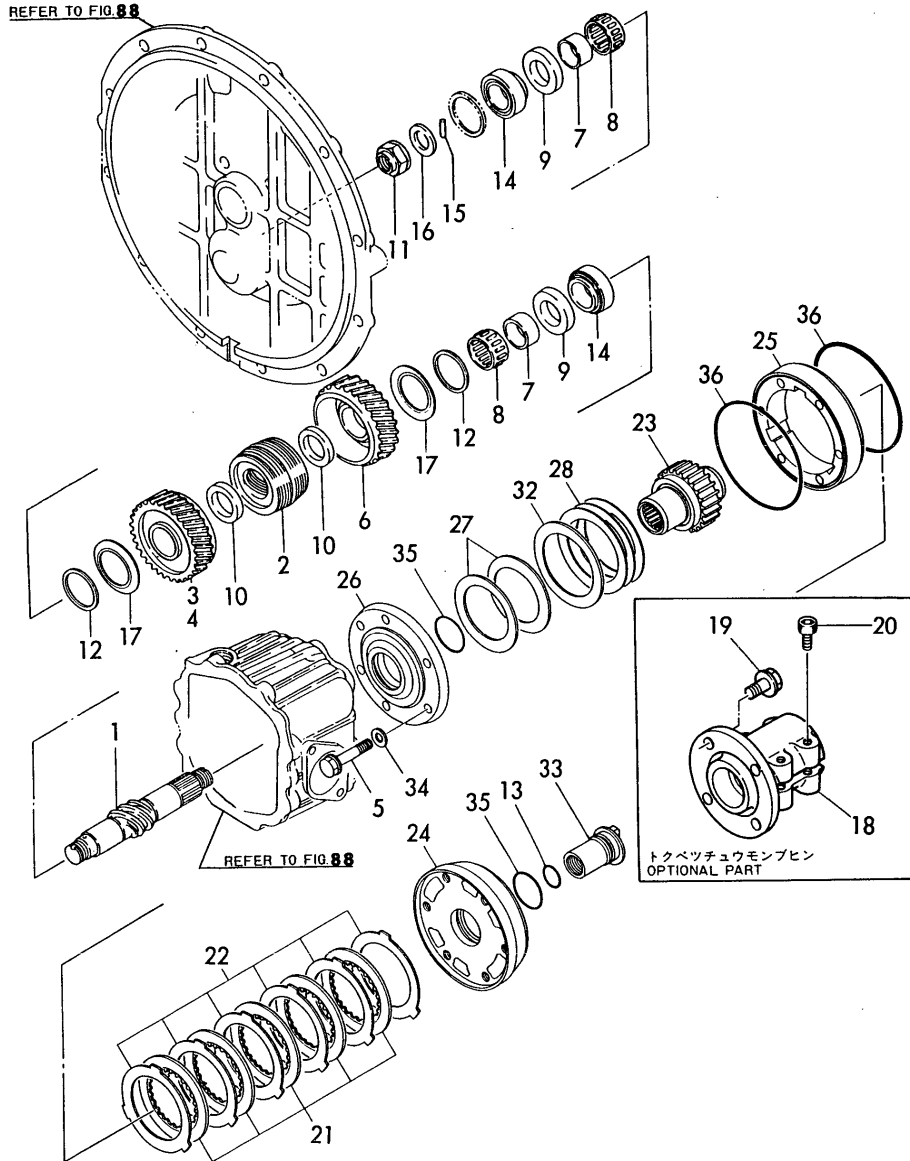


REF.	LEV.	PARTS NO.	DESCRIPTION	Q'TY						I	R
				(A)	(B)	(C)	(D)	(E)	(F)		
1	1	177088-03400	ROLLER BERING	2							
2	1	177070-03031	SHAFT, INPUT I=2.36	1							1
3	1	177070-03011	SHAFT, INPUT I=2.61	1							2
4	1	177070-03520	DISC, DAMPER	1							
5	1	177070-03302	SHAFT, IDLE GEAR	1							
6	1	177088-03311	GEAR (Z=26), IDLE	1							
7	1	177088-03331	NEEDLE BERG.#K162213	2							
8	1	177088-03341	WASHER, THRUST	1							
9	1	24341-000120	O-RING 1A S-12.0	1							
10	1	177073-03191	FAN	1							
11	1	26106-080162	BOLT M 8X 16 PLATED	6							

Fig.90.OUTPUT SHAFT

(A)=4JH2E (D)=4JH2-DTE  
 (B)=4JH2-TE (E)=4JH2-UTE(B)  
 (C)=4JH2-HTE (F)=

Fig.90 スイリョクジク  
 OUTPUT SHAFT

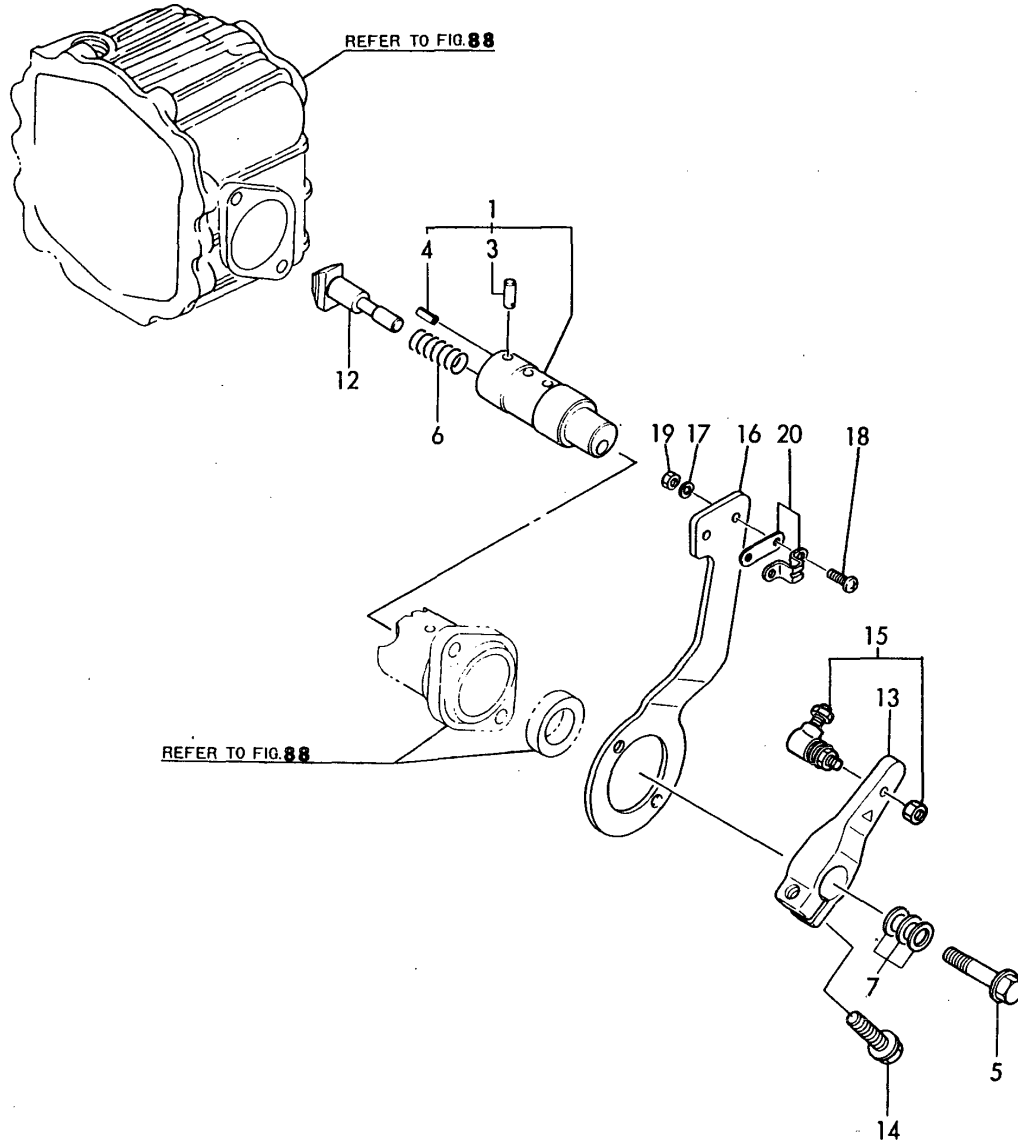


REF.	LEV.	PARTS NO.	DESCRIPTION	QTY						I	R
				(A)	(B)	(C)	(D)	(E)	(F)		
1	1	177070-03041	SHAFT,OUTPUT	1							
2	1	177070-03071	CONE,DRIVE	1							
3	1	177070-03131	GEAR,FORWARD 59	1							1
4	1	177070-03112	GEAR,FORWARD 60	1							2
5	1	26106-080452	BOLT M 8X 45 PLATED	6							
6	1	177070-03112	GEAR,FORWARD 60	1							
7	1	177070-03190	RACE, BEARING INNER	2							
8	1	177070-03200	NEEDLE BEARING	2							
9	1	177070-03231	COLLAR (A), THRUST	2							
10	1	177070-03250	COLLAR (B), THRUST	2							
11	1	177088-03272	NUT	1							
12	1	177073-03340	RETAINER	2							
13	1	24311-000210	O-RING 1A P-21.0	1							
14	1	24141-302050	ROLLER BEARING	2							
15	1	177088-03290	PIN 4D-22L	1							
16	1	177088-03280	COLLAR 32D-45T	1							
17	1	177088-03540	SPRING	2							
18	1	104214-83980	COUPLING (20), SLIT	1							3
19	1	26106-100222	BOLT M10X 22 PLATED	4							3
20	1	26450-080302	BOLT M 8X 30	4							3
21	1	177040-03080	DISC, FRICTION	5							
22	1	177090-03090	PLATE, STEEL	6							
23	1	177070-03651	HOLDER	1							
24	1	177070-03660	COUPLING	1							
25	1	177070-03670	HOUSING	1							
26	1	177070-03681	COVER	1							
27	1	177070-03691	SPRING	2							
28	1	177070-03700	SHIM SET	1							
32	1	177070-03741	SPACER	1							
33	1	177070-03750	LOCK NUT	1							
34	1	22190-080000	SEAL WASHER 8(BOLT)	6							
35	1	24311-000340	O-RING 1A P-34.0	2							
36	1	24341-001050	O-RING 1A S-105.0	2							

Remarks  
 3) OPTIONAL PART

Fig.91.CONTROL DEVICE

Fig.91 ソウジュウソウチ  
CONTROL DEVICE



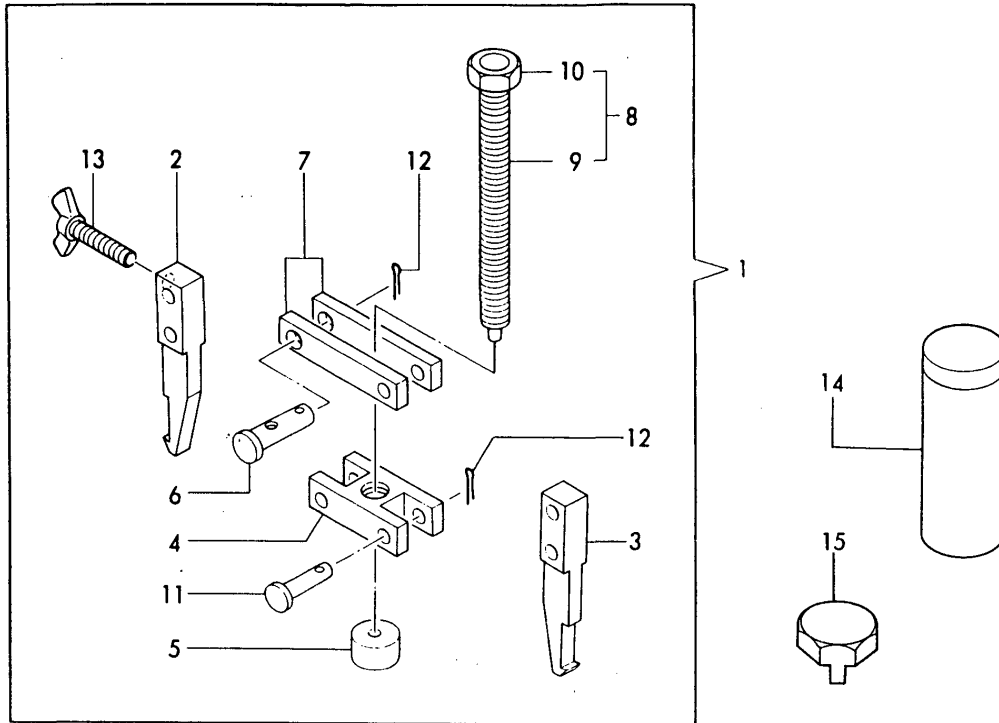
(A)=4JH2E (D)=4JH2-DTE  
(B)=4JH2-TE (E)=4JH2-UTE(B)  
(C)=4JH2-HTE (F)=

REF.	LEV.	PARTS NO.	DESCRIPTION	QTY						I	R
				(A)	(B)	(C)	(D)	(E)	(F)		
1	1	177088-06340	SHAFT ASSY	1							
3	2	196322-06610	PIN 5X18	1							
4	2	22351-020012	SPRING PIN 2X 12	1							
5	1	177088-06360	BOLT	1							
6	1	177088-06370	SPRING	1							
7	1	177088-06380	SHIM SET	1							
12	1	177088-06390	SHIFTER	1							
13	1	177088-06400	LEVER	1							
14	1	26106-080252	BOLT M 8X 25 PLATED	1							
15	1	41710-001300	JOINT	1							
16	1	177070-06610	STAY	1							
17	1	22217-050000	SPRING WASHER 5	2							
18	1	26557-050162	SCREW M 5X 16	2							
19	1	26716-050002	NUT M 5	2							
20	1	41710-000410	CLAMP	1							

(A)=4JH2E (D)=4JH2-DTE  
 (B)=4JH2-TE (E)=4JH2-UTE(B)  
 (C)=4JH2-HTE (F)=

Fig.92.TOOL(OPTIONAL)

Fig.92 ブンカイコウグ(オプション)  
 TOOL(OPTIONAL PART)



REF.	LEV.	PARTS NO.	DESCRIPTION	QTY						I	R	
				(A)	(B)	(C)	(D)	(E)	(F)			
1	1	177088-09010	TOOLS ASSY	1								
2	2	177088-09020	TOOL A	1								
3	2	177088-09030	TOOL B	1								
4	2	177088-09040	BRACKET	1								
5	2	177088-09050	RETAINER	1								
6	2	177088-09060	PIN	1								
7	2	177088-09070	PLATE	2								
8	2	177088-09080	BOLT ASSY	1								
9	3	177088-09090	BOLT	1								
10	3	26736-100002	NUT M10	1								
11	2	22487-060240	PIN 6X 24	3								
12	2	22417-160120	COTTER PIN 1.6X12	4								
13	2	26646-040352	WING BOLT	1								
14	1	177088-09150	TOOL, DRIVE	1								
15	1	177070-09030	SOCKET	1								