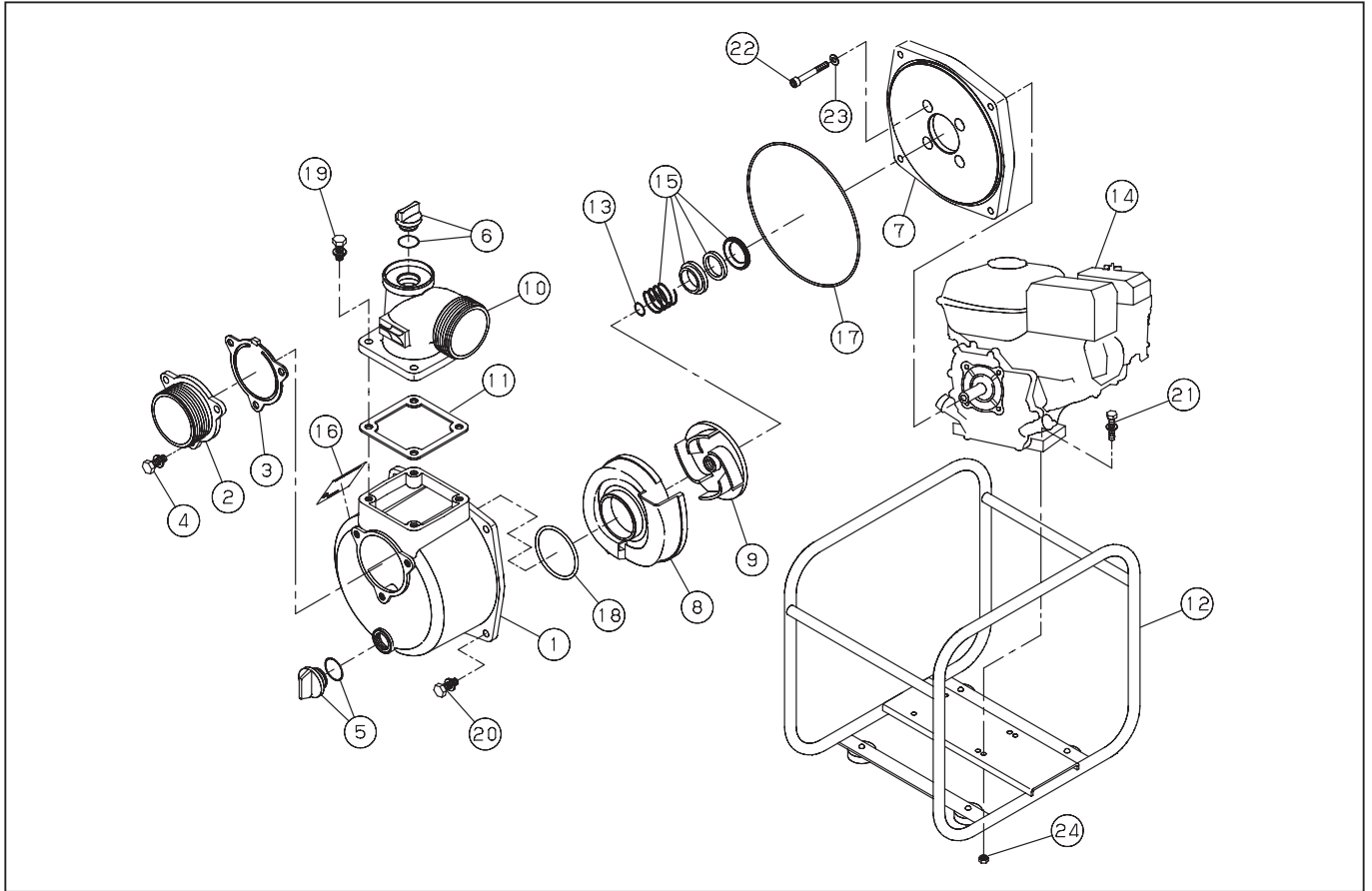


SERH-50B



DWG No. 011951510 MODEL:SERH-50B FORM:SERH-50B-BAA-0

No.	PARTS CODE	PARTS NAME	QTY	MATERIAL	SIZE	REMARKS
1	011418402	PUMP CASING	1	ADC		
2	011432402	SUCTION FLANGE	1	ADC		
3	011279901	CHECK VALVE	1	NBR		
4	743119061	HEXAGON BOLT	3	SWRM	M10X25	
5	011807802	20A PLUG SET	1			
6	011807901	25A PLUG SET	1			
7	011056802	FLANGE BRACKET	1	ADC		
8	011281803	VOLUTE CASING	1	FC-20		
9	011286101	IMPELLER	1	FC-20		
10	011328901	DELIVERY FLANGE	1			
11	011058402	FLANGE PACKING	1	CR		
12	011701601	BASE SET	1		NO.240	
13	011008101	IMPELLER ADJUSTING WASHER	3		T0.3	
14	011430302	ENGINE	1	HONDA GX160U1WKT2	CE · USA	WITH OIL ALERT
15	011086302	MECHANICAL SEAL	1	HG9A-MN (H)	φ 20	
16	011430803	NAME PLATE	1			
17	011501601	O-RING	1	NBR	1517-51.5	
18	011398901	O-RING	1	NBR	P74	
19	743119078	HEXAGON BOLT	4	SWRM	M12X30	
20	743119063	HEXAGON BOLT	4	SWRM	M10X30	
21	743119053	HEXAGON BOLT	4	SWRM	M8X40	
22	734532076	HEXAGON SOCKET BOLT	4	SCM	M8X60	
23	854255008	SEAL WASHER	4		φ 8	
24	827419008	HEXAGON NUT	4	SWRM	M8	
	011130612	SER OPERATION MANUAL	1			
	011430904	OUTER CARTON	1			

◆ Bare engine can not be supplied