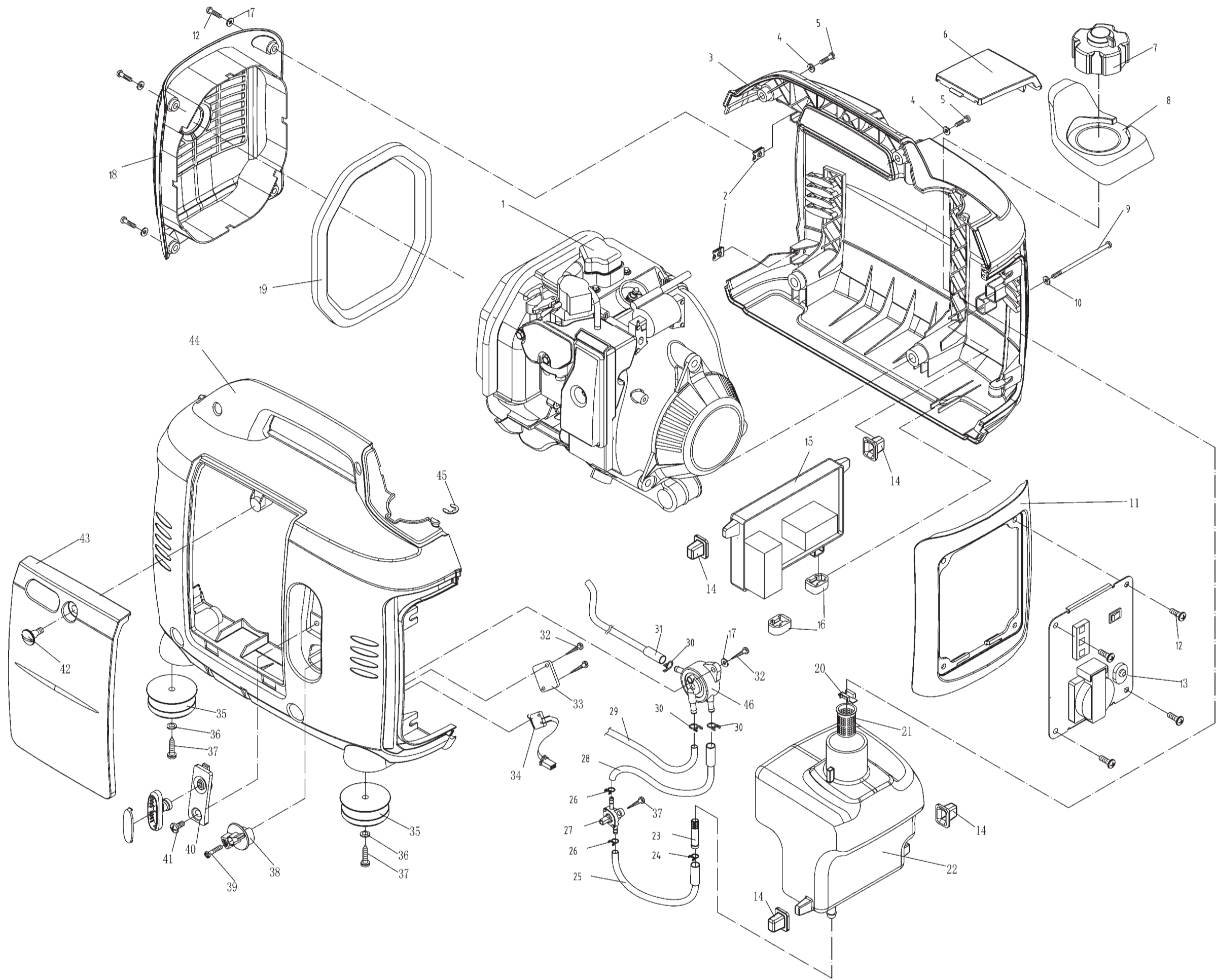


ASSEMBLY AND PARTS ALBUM

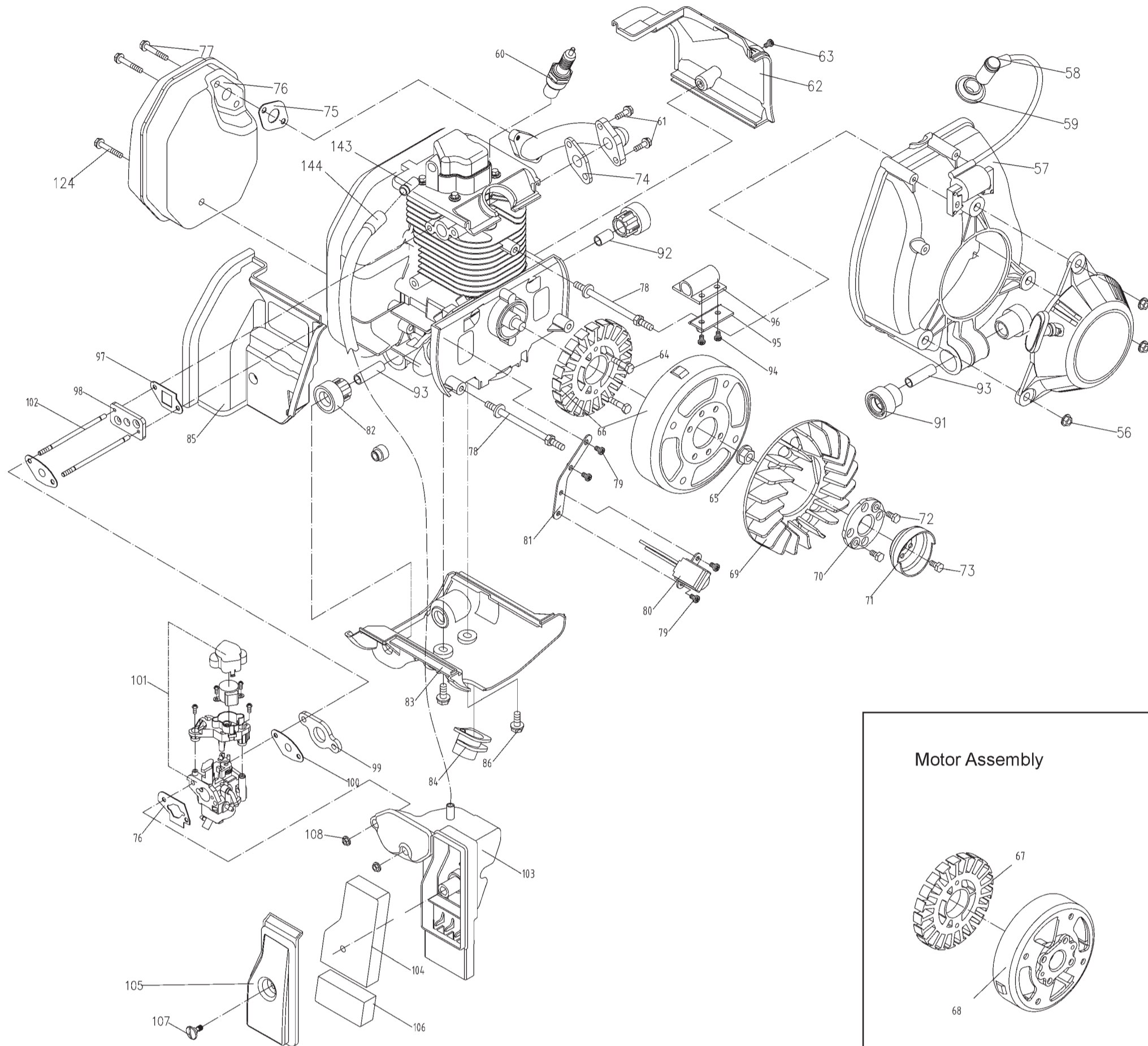
CG720(1)



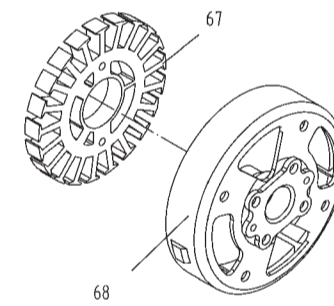
No.	Code.	Description	Qty.	No.	Code.	Description	Qty.	No.	Code.	Description	Qty.	No.	Code.	Description	Qty.
1	KG40-00000	Engine Assembly	1	15	VFS-07-22T	Module	1	29	KG40-07001	Ventilating Pipe	1	43	KGE980Tc-03014	Beside door	1
2	KGE1000Ti-06115	Inserter	8	16	KGE1000Ti-00008	Module Shock Pad	2	30	KGE1000Ti-07007	Clip × 9	3	44	KGE980Tc-03400	Left Case and Inlay Piece	1
3	KGE980Tc-03300	Right Case and Inlay Piece	1	17	GB/T97.1-2002	washer 5	6	31	KGE980Tc-11006	Fuel Pipe III (Vacuum Pump-Carbureter)	1	45	GB/T896-1986	Hatch Retaining Ring	1
4	GB97.1-2002	Gasket 6	2	18	KGE980Tc-03200	Rear Casing and Inlay Piece	1	32	GB/T845-1985	Screw ST3.8×16	4	46	KGE1000Ti-07100	Fuel Vacuum Pump Assembly	1
5	GB/T818-2000	Bolt M6×20	2	19	KGE980Tc-03001	Rear Cap Sealing Strip	1	33	KGE980Tc-03016	Miscoswitch Baffle	1				
6	KGE980Tc-03015	Roof Door	1	20	KGE1000Ti-07013	Oil gage	1	34	KGE980Tc-03011	Miscoswitch	1				
7	KGE1000Ti-07200	Fuel Tank Cap Assembly	1	21	KGE1000Ti-07011	Filler Bowl	1	35	KGE2000Ti-03004	Base Gasket	4				
8	KGE980Tc-11001	Fuel Tank Port Gasket	1	22	KGE980Tc-11003	Fuel Tank	1	36	GB97.1-2002	Washer 6	4				
9	KGE1000Ti-00007	Bolt M6×105	2	23	KGE1000Ti-07004	Strainer	1	37	GB/T845-1985	Bolt ST5.5×19	5				
10	GB/T97.1-2002	Washer	2	24	KGE1000Ti-07012	Clip × 10	1	38	KGE1000Ti-07008	Fuel Switch Handle	1				
11	KGE980Tc-03013	Front Casing	1	25	KGE980Tc-11004	Fuel Pipe I (Fuel Switch - Fuel Tank)	1	39	KGE1000Ti-07304	Screw	1				
12	GB/T818-2000	Screw M5×15	8	26	KGE1000Ti-07006	Clip × 7	2	40	KGE1000Ti-06102	Handle Fixing Base	1				
13	KGE980Tc-13000	Control Panel Assembly	1	27	KGE1000Ti-07300	Fuel Switch Assembly	1	41	GB/T818-2000	Screw M5×12	1				
14	KGE1000Ti-00004	Rubber Squareness Fender Bracket	4	28	KGE1000Ti-07002	Fuel Pipe II (Fuel Switch - Pump)	1	42	KGE1000Ti-00006	Screw M6	1				

ASSEMBLY AND PARTS ALBUM

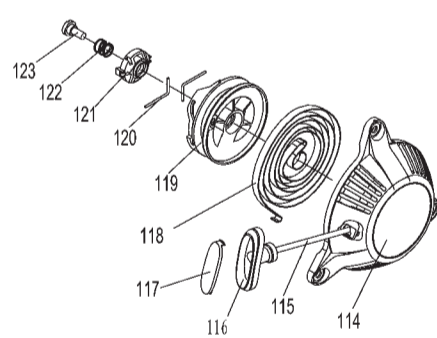
CG720(2)



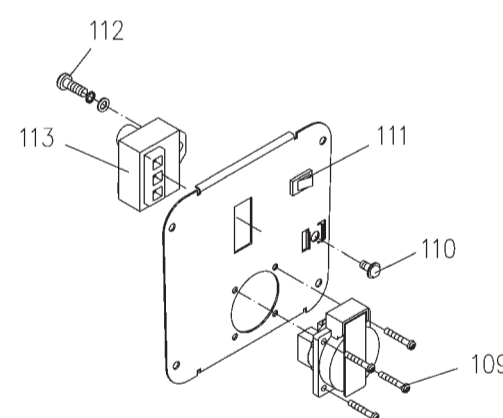
Motor Assembly



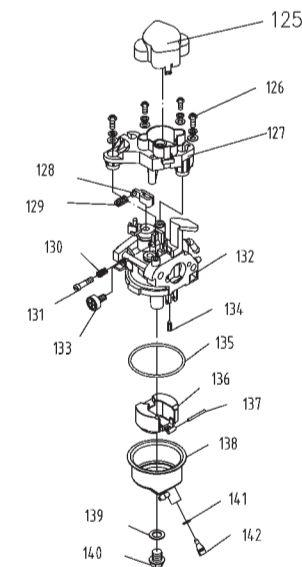
Starter Reel Assembly



Control Panel



Carburetor Assembly



No.	Code.	Description	Qty.	No.	Code.	Description	Qty.	No.	Code.	Description	Qty.	No.	Code.	Description	Qty.
55				78	KG40-01016	Wood Scooper	3	101	KG40-10000a	Carbucater Assembly	1	124	GB/T5789-1986	Hexagon Bolt M5×70	1
56	GB/T5789-1986	Hexagonal Nut M5	3	79	GB/T818-2000	Cross Recess Pan Head Screw M3×8	4	102	KG55-01104	Gasket	1	125	KG55-10002	Motor Bracket Cover	1
57	KG40-12001	Wood Scooper	1	80	KGE980Tc-13601	Trigger Point	1	103	KG40-07111a	Air Filter Case	1	126	GB/T818-2000	Screw M4×10	2
58	KG40-14100	Ignition Coil	1	81	KGE980Tc-03012	Trigger Point Fixed Plate	1	104	KG40-07104a	Rough Filter Core	1	127	KG55-10001	Motor Bracket Cover	1
59	KG40-14001	Damping Sheath	1	82	KGE2000Ti-12101	Cushion	2	105	KG40-07101a	Cover of Air Cleaner	1	128	KGE2800Xi-13402	Positioning Fork Rod	1
60	QC/T430-1999	Spark Plug A7RTC	1	83	KGE980Tc-04300	Down Comer Baffle	1	106	KG40-07103a	Fine Filter Core	1	129	KGE2800Xi-13403	Positioning Spring	1
61	GB/T5789-1986	Hexagonal Bolt M6×20	2	84	KGE2000Ti-04400	Motor Tread Exit Gasket	1	107	KG40-07102a	Locking Bolt	1	130	KG105-10101	Idle Adjusting Spring	1
62	KGE980Tc-04200	Outlet Side Baffle	1	85	KGE980Tc-04200	Intake Baffle	1	108	GB/T6177-2000	Hexagon Flange Nut M5	1	131	KG105-10102	Idle Adjusting Screw	1
63	GB/T818-2000	Cross Recess Pan Head Screw M5×12	1	86	GB/T5789-1986	Hexagonal Point Bolt M5×12	2	109	GB/T818-2000	Cross slotted pan head screw M4×16	1	132	KG105-10201	Carbucater	1
64	GB/T5789-1985	Bolt M5×25	2	87			2	110	GB/T818-2000	Screw M5×12	1	133	KG105-10103	Negative Pressure Screw	1
65	KG55-05004	Flywheel Nut	1	88			2	111	RF-1003-BB2	Rocker Switch	1	134	KG105-10202	Needle Valve	1
66	KD09-00000	Motor Assembly	1	89			1	112	GB/T818-2000	Cross slotted pan head screw M5×16	1	135	KG105-10203	Seal Ring	1
67	KD09-01000	Stator Assembly	1	90			1	113	DHQ-07	Trinity Igniter	1	136	KG105-10204	Floater	1
68	KD09-02000	Rotor Assembly	1	91			1	114	KG55-12001a	Bottom Shell of Manual Starting Reel	1	137	KG105-10205	Floater Fixing Shaft	1
69	KGE980Tc-05001	Fan	2	92	KGE1000Ti-04203	Down Axes Sheath	1	115	KG55-12005a	Rope for Pulling	1	138	KG105-10206	Chamber Shell of Floater	1
70	KG40-05005	Start Claw Pan Bracket	8	93	KGE980Tc-12004	Down Hollow Axes	2	116	KGE1000Ti-06002	Starting Handle	1	139	KG105-10207	Seal Ring	1
71	KG40-05006	Start Claw Pan	1	94	GB/T818-2000	Cross Recess Pan Head Screw M3×8	2	117	KGE1000Ti-06003	Starting Handle Cap	1	140	KG105-10209	Fixed Bolt	1
72	GB/T5789-1985	Bolt M6×12	2	95	KGE980Tc-03009	Fixed Plate of Resistance	1	118	KG55-12003	Flat Spiral Spring	1	141	KG105-10211	Seal Ring	1
73	GB/T5789-1985	Bolt M6×12	1	96	25W10RJ	Resistance	1	119	KG55-12002	Handle panel	1	142	KG105-10208	Oil Drain Screw	1
74	KG40-01028	Vent-Pipe Washer	1	97	KG40-01022	Gasket of Air Inlet Pipe	2	120	KG55-12006	Gear Lever	2	143	KG55-01032	Pipe joint	1
75	KGE980Tc-10001	Muffler Washer	1	98	KG40-01036	Connecting Board of Carburetor	1	121	KG55-12007	Gear Lever Set	2	144	KG40-07001	Air pipe	1
76	KGE980Tc-10100	Muffler weldment	1	99	KG40-01037	Insulated Piece (I) of Carburetor	1	122	KG55-12004	Compression Spring	1				
77	GB/T5789-1986	Hexagonal Bolt M5×50	2	100	KG55-10004	Gasket (A) of Carburetor	1	123	KG55-12008	Screw	1				

WUXI KIPOR POWER CO., LTD.

Beside Jingyi Rd, Third-stage Development Section of Wangzhuang Industry Area, Wuxi High & New Technology Industry Development Zone. TEL: 0086-510-85200888 FAX: 0086-510-85200999