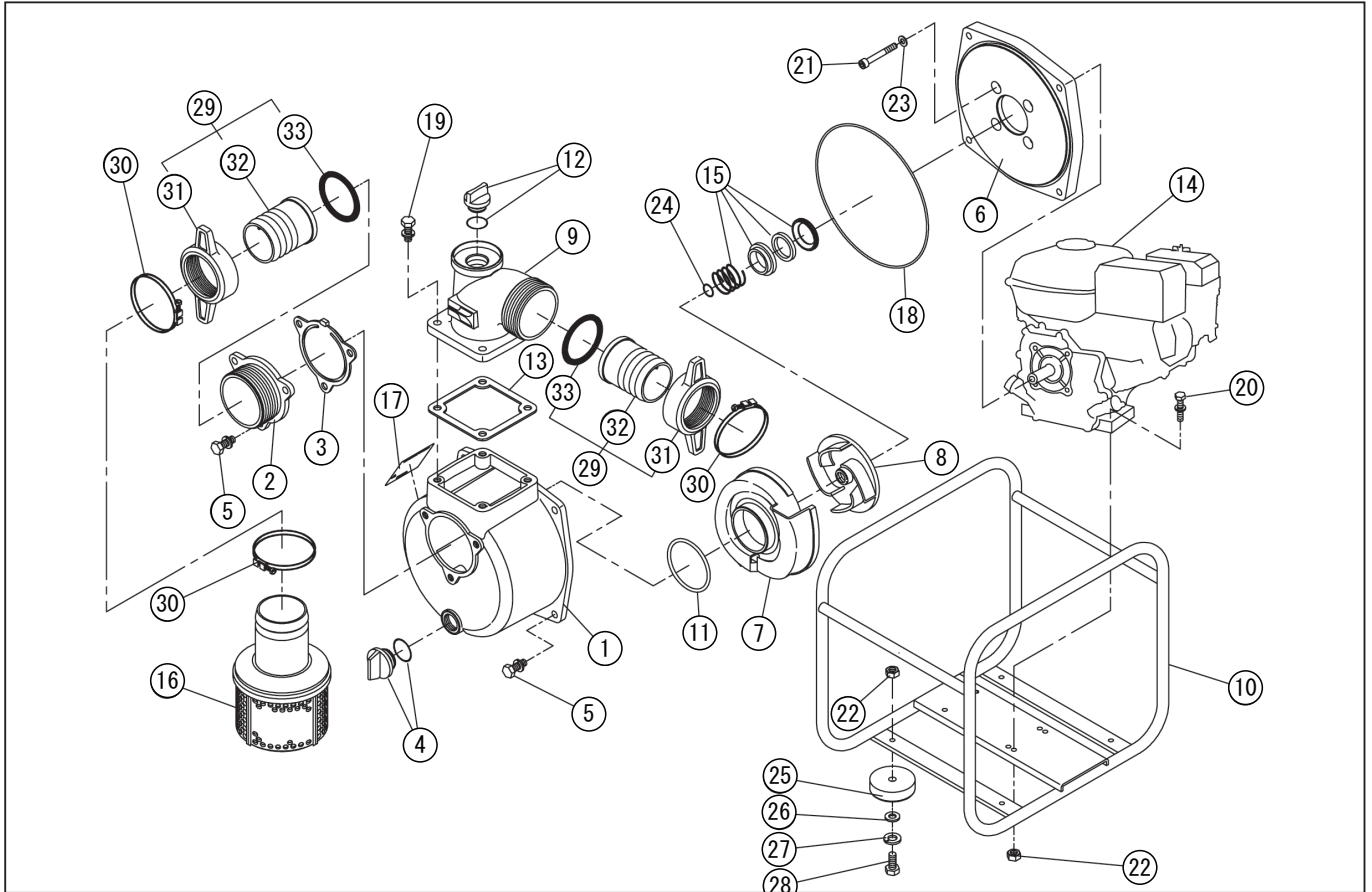


DWG No.011960018 MODEL : SEH-80X FORM : SEH-80X-BAS-7

No.	PARTS CODE	PARTS NAME	QTY	MATERIAL/SIZE	REMARKS
1	012019602	PUMP CASING	1	ADC	
2	011279701	SUCTION FLANGE	1	ADC	
3	011279901	CHECK VALVE	1	NBR	
4	011807802	20A PLUG SET	1		
5	743119061	HEXAGON BOLT	7	M10×25 SWRM	
6	011279601	FLANGE BRACKET	1	ADC	
7	012104702	VOLUTE CASING	1	FC	
8	012104602	IMPELLER	1	FC	
9	011057005	DELIVERY FLANGE	1	ADC	
10	012833501	BASE SET	1		
11	011398901	O-RING	1	P74 NBR	
12	011807902	25A PLUG SET	1		
13	011058402	DELIVERY FLANGE PACKING	1	CR	
14	011430304	ENGINE	1	HONDA GX160UT2WKT2	
15	011066402	MECHANICAL SEAL	1	φ 20	
16	011819501	STRAINER SET	1	PP	
17	011483408	NAME PLATE	1		
18	011501501	O-RING	1	1517-46.5 NBR	
19	743119063	HEXAGON BOLT	4	M10×30 SWRM	
20	743119053	HEXAGON BOLT	4	M8×40 SWRM	
21	734532076	HEXAGON SOCKET BOLT	4	M8×60 SCM CS	
22	827419008	HEXAGON NUT	8	M8 SWRM	
23	854255008	SEAL WASHER	4	φ 8	
24	011049102	IMPELLER ADJUSTING WASHER	3	BSP	
25	011051502	CUSHION RUBBER	4	F-23	
26	846007008	WASHER	4	φ 8	
27	843822008	SPRING WASHER	4	φ 8	
28	735719148	HEXAGON BOLT	4	M8×20	
29	011902802	COUPLING SET	2	ABS	
30	940019090	HOSE BAND	3	φ 90	

◆ Bare engine can not be supplied



DWG No.011960018 MODEL : SEH-80X FORM : SEH-80X-BAS-7

No.	PARTS CODE	PARTS NAME	QTY	MATERIAL/SIZE	REMARKS
31	011437503	COUPLING	2	ABS	
32	011030105	HOSE NIPPLE	2	ABS	
33	011437801	COUPLING PACKING	2	NBR	
	011459608	PACKING CASE	1		

◆ Bare engine can not be supplied