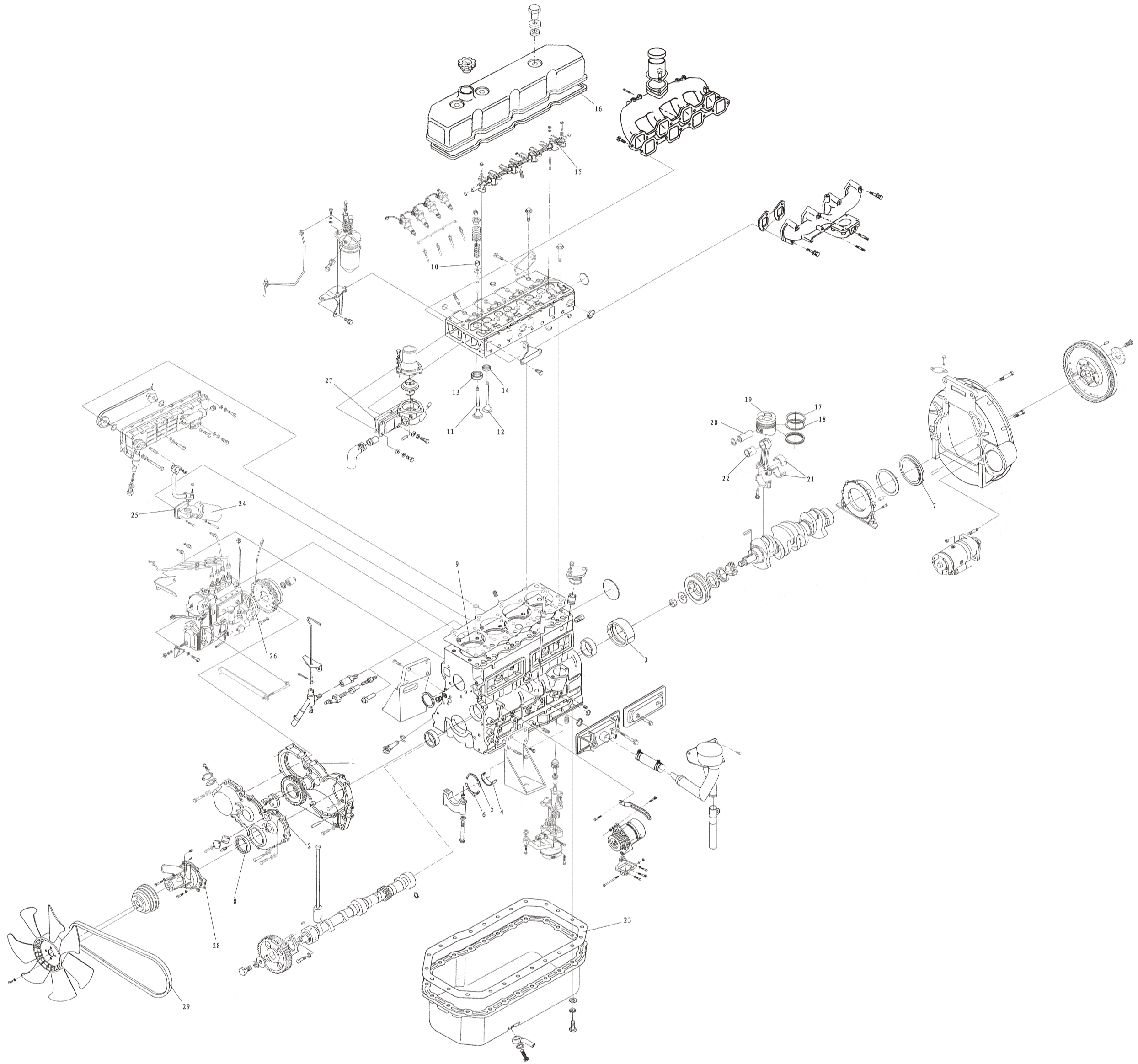


ASSEMBLY AND PARTS DRAWING

4105



EASY WEARING PART

Ref.No	Part.No	Description	Qty.	Mounted to
1	KD6105-1002002	Gear Box Gasket	1	Cylinder Block Assembly
2	KD6105-1002003	Gear Box Cover Gasket	1	Cylinder Block Assembly
3	KD6105-1002006	Main Bush(I)	13	Cylinder Block Assembly
4	KD6105-1002007	Main Bush(II)	1	Cylinder Block Assembly
5	KD6105-1002008	Crankshaft Upper Thrust	2	Cylinder Block Assembly
6	KD6105-1002009	Crankshaft Lower Thrust	2	Cylinder Block Assembly
7	KD4105-1002011	Crankshaft Rear Oil Seal	1	Cylinder Block Assembly
8	KD4105-1002012	Crankshaft Front Oil Seal	1	Cylinder Block Assembly
9	KD6105-1002102	Cylinder Cover	6	Cylinder Block Assembly
10	KD4105-1003006	Valve Pipe Oil Seal	12	Cylinder Block Assembly
11	KD6105-1003007	Inlet Valve	6	Cylinder Cover Assembly
12	KD6105-1003008	Exhaust Valve	6	Cylinder Cover Assembly
13	KD6105-1003103	Inlet Valve Seat	6	Cylinder Cover Assembly
14	KD6105-1003104	Exhaust Valve Seat	6	Cylinder Cover Assembly
15	KD6105-1003222	Rocker Arm Bushing	12	Cylinder Cover Assembly

Ref.No	Part.No	Description	Qty.	Mounted to
16	KD6105-1003301	Rubber Seal Ring	1	Cylinder Cover Assembly
17	KD4105-1004001	The 1st Air Ring(Rectangle)	6	Piston Connection Rod Assembly
18	KD4105-1004002	The 2nd Air Ring	6	Piston Connection Rod Assembly
19	KD4105-1004003	Piston(Square Combustion Chamber)	6	Piston Connection Rod Assembly
20	KD4105-1004004	Piston Pin	6	Piston Connection Rod Assembly
21	KD6105-1004004	Connection Rod Bush	12	Piston Connection Rod Assembly
22	KD6105-1004201	Connection Rod Bushing	6	Piston Connection Rod Assembly
23	KD4105-1009001	Crankcase Oil Tray Gasket	1	Crankcase Oil Tray Assembly
24	KD4105-1013100	Oil Filter(Filter Element)	1	Oil Filter Assembly
25	KD4105-1013001	Oil Filter Seal Gasket	1	Oil Filter Assembly
26	KD6105-1111004	Oil Pump Flange Gasket	1	Fuel Injection Pump Assembly
27	KD4105-1306005	Thermostat Seat Gasket	1	Thermostat Assembly
28	KD4105-1307001	Water Pump Seat Gasket	1	Water Pump Assembly
29	KD4105-1308002	Jugged Fan Belt	1	Fan Assembly

TIGHTEN TORQUE FOR MAIN BOLT AND NUT

No.	Description	Qty.
①	Cylinder Cover Bolt	108-118
②	Main Bearing Bolt	216-235
③	Connection Rod Bolt	118-127
④	Flywheel Bolt	216-235
⑤	Flywheel Case Bolt	127-147
⑥	Camshaft Gear Tighten Bolt	108-118
⑦	Crankshaft Front End Bolt	588-637
⑧	Pressure Maintaining Valve of Main Oil Duct	29-39

WUXI KIPOR POWER CO., LTD.

Beside Jingyi Rd, Third-stage Development Section of Wangzhuang Industry Area, Wuxi High & New Technology Industry Development Zone. TEL: 0086-510-85200888 FAX: 0086-510-85200999

KD4105-1308000 Fan Assembly

Ref.No	Part.No	Description	Qty.
1	KD4105-1308002	Jugged Fan Belt	1
2	KD4105-1308001	Fan Gasket	1
3	KD4105-1308100	Fan Part(F500-42-64-7)	1
4	GB/T9074.15-1988	Assembling Bolt M10X20	4

KD4105-1104000 Oil Supplying Pipe Duct Assembly

Ref.No	Part.No	Description	Qty.
1	KD6105-1104900	Inverted Valve Part(Fuel Injection Pump)	1
2	KD6105-1104170	High Pressure Oil Pipe Clip Subassembly	3
3	KD4105-1104400	The 4th Cylinder High Pressure Oil Pipe Part	1
4	KD4105-1104300	The 3rd Cylinder High Pressure Oil Pipe Part	1
5	KD4105-1104200	The 2nd Cylinder High Pressure Oil Pipe Part	1
6	KD4105-1104100	The 1st Cylinder High Pressure Oil Pipe Part	1
7	KD4105-1104500	Oil Returning Pipe Part of Fuel Injector	1

KD4105-1111000 Fuel Injection Pump Assembly

Ref.No	Part.No	Description	Qty.
1	KD4105-1111013	Bracket	1
2	KD4105-1111008	Oil Inlet Pipe Screw	1
3	KD4105-1111100	Fuel Injection Pump Part	1
4	KD4105-1111003	Oil Pump Flange	1
5	KD6105-1111004	Oil Pump Flange Gasket	1
6	KD4105-1111001	Fuel Injection Pump Gear1	1
7	KD4105-1111005	Connection Panel	1
8	KD4105-1111002	Fixed Screw Cap of Fuel Injection Pump	1
9	KD4105-1111006	Semicircular Key	1
10	KD4105-1111011	Oil Outlet Pipe Screw of Fuel Supplying Pump	1
11	KD4105-1111009	Seal Washer	6
12	KD4105-1111012	Oil Inlet Pipe Screw of Fuel Supplying Pump	1
13	GB/T91-2000	Pin 2X25	1
14	KD4105-1111202	Pulling Rod of Fuel Injection Pump	1
15	GB/T6177.1-2000	Nut M8	2
16	KD4105-1111201	Pulling Rod Bracket of Fuel Injection Pump	1
17	GB/T9074.15-1988	Bolt Assembly M10X20	4
18	KD4105-1111007	Rear Bracket of High Pressure Oil Pump	1
19	GB/T97.1-85	Washer 10	2
20	GB/T6171-2000	Nut M10X1.25	1

KD4105-1105000 Fuel Filter Assembly

Ref.No	Part.No	Description	Qty.
1	KD4105-1105400	Oil Inlet Pipe Part of Oil Supplying Pump	1
2	KD4105-1105700	Oil Return Pipe Part of Oil Injection Pump	1
3	KD4105-1105600	Oil Inlet Pipe Part of Oil Injection Pump	1
4	KD4105-1105500	Oil Outlet Pipe Part of Oil Supplying Pump	1
5	GB/T5789-1986	Hexagonal Flange Face M10X30	2
6	KD6105-1002027	Seal Washer	2
7	KD6105-1105002	Oil Return Screw	1
8	KD4105-1105300	Inverted Valve Part	1
9	KD6105-1105001	Hollow Screw (Big)	2
10	KD4105-1105003	Seal Washer	6
11	KD4105-1105100	Fuel Filter Part	1
12	KD4105-1105200	Fuel Filter Welding Bracket	1
13	GB/T5789-1986	Hexagonal Flange Face M10X25	1
14	GB/T5789-1986	Hexagonal Flange Face M10X20	1

KD4105-3708000 Starter Assembly

Ref.No	Part.No	Description	Qty.
1	KD4105-3708001	Earth Wire	1
2	GB/T6177.1-2000	Nut M12	2
3	KD4105-3708100	Starter Part	1
4	GB/T898-1988	Stud M12X35	2

KD4105-3770000 Glow Plug Assembly

Ref.No	Part.No	Description	Qty.
1	KD4105-3770100	Glow Plug Part	4
2	GB/T6177.1-2000	Nut M4	4
3	KD4105-3770001	Glow Plug Connection Plate	1

KD4105-1013000 Oil Filter Assembly

Ref.No	Part.No	Description	Qty.
1	KD4105-1013000	Oil Filter Part	1
2	GB/T9074.17-1988	Bolt Assembly M10X100	1
3	GB/T9074.15-1988	Bolt Assembly M10X35	3
4	KD4105-1013200	Oil Filter Seal Subassembly	1
5	KD4105-1013001	Oil Filter Seal Gasket	1

KD4105-1307000 Water Pump Assembly

Ref.No	Part.No	Description	Qty.
1	GB/T9074.15-1988	Assembling Bolt M10X40	1
2	KD4105-1307001	Water Pump Belt Pulley	1
3	GB/T9074.15-1988	Assembling Bolt M10X75	2
4	KD4105-1307100	Water Pump Part	1
5	KD4105-1307002	Water Pump Seal Gasket	1
6	GB/T9074.15-1988	Assembling Bolt M10X50	1

KD4105-1003000 Cylinder Cover Assembly

Ref.No	Part.No	Description	Qty.
1	KD4105-1003301	Rubber Seal Ring	1
2	KD4105-1003302	Cylinder Cover	1
3	KD6105-1003308	Rubber Ring	3
4	KD6105-1003307	Washer	3
5	KD6105-1003306	Nut	3
6	KD4105-1003307	Index Plate	1
7	KD6105-1003304	Oil Filler Plug	1
8	KD4105-1003308	Kipor Label	1
9	KD6105-1003201	Bowled Plug	2
10	KD4105-1003202	Front Rocker Arm Shaft	1
11	KD6105-1003203	Front Rocker Arm Seat	1
12	KD6105-1003015	Front Rocker Arm Seat Copper Cushion	1
13	KD6105-1003014	Front Rocker Arm Seat Bolt	1
14	KD6105-1003206	Rocker Arm Spring	3
15	KD6105-1003205	Middle Rocker Arm Seat	4
16	GB/T6171-2000	Nut M8	8
17	KD6105-1003222	Rocker Arm Bushing	8
18	GB/T6170-2000	Nut M8	3
19	GB/T93-1987	Spring Washer	8
20	GB/T9074.17-1988	Bolt Assembly M8X68	6
21	KD6105-1003207	Rear Rocker Arm Seat	1
22	KD6105-1003220	Rocker Arm	8
23	KD4105-1003016	Double-head Stud of Rocker Arm Seat	3
24	KD6105-1003204	Valve Adjusting Screw	8

KD4105-1306000 Thermostat Assembly

Ref.No	Part.No	Description	Qty.
1	KD4105-1306006	Thermostat Cover	1
2	KD4105-1306007	Thermostat Cover Washer	1
3	KD4105-1306100	Thermostat Part	1
4	KD4105-1306002	Pipe Plug	2
5	GB/T9074.17-1988	Assembling Bolt M10X30	2
6	GB/T9074.17-1988	Assembling Bolt M10X25	4
7	ZBT32005.1-88	Double Steel Wire Hoop 35 2	2
8	KD4105-1306009	Water Outlet Hose	1
9	KD4105-1306008	Connection Pipe	1
10	KD4105-1306001	Thermostat Seat	1
11	KD4105-1306005	Thermostat Seat Cushion	1
12	GB/T9074.17-1988	Assembling Bolt M8X25	3

KD4105-1004000 Piston Connection Rod Assembly

Ref.No	Part.No	Description	Qty.
1	KD4105-1004003	Piston (Square)	4
1-1	KD6105z-1004003	Piston	4
2	KD4105-1004004	Piston Pin	4
3	GB/T893.1-1986	Hole Elastic Retaining Ring-A	8
4	KD6105-1004201	Connection Rod Bushing	4
4-1	KD6105z-1004201	Connection Rod Bushing	4
5	KD6105-1004203	Connection Rod (Small Head Rectangle)	4
5-1	KD6105z-1004203	Connection Rod	4
6	KD6105-1004204	Connection Rod Cover	4
6-1	KD6105z-1004204	Connection Rod Cover	4
7	KD6105-1004202	Connection Rod Bolt	8
7-1	KD6105z-1004202	Connection Rod Bolt	8
8	KD6105-1004005	Connection Rod Bush	4
9	KD4105-1004100	Oil Ring Part	4
9-1	KD6105-1004100	Oil Ring Part	4
10	KD4105-1004002	The 2nd Air Ring	4
10-1	KD6105z-1004002	The 2nd Air Ring	4
11	KD4105-1004001	The 1st Air Ring (Rectangle)	4
11-1	KD6105z-1004001	The 1st Air Ring	4

KD4105z-1004000 Piston Connection Rod Assembly

Ref.No	Part.No	Description	Qty.
1	KD6105z-1004003	The 3rd Air Ring	4

KD4105-1012000 Oil Cooler Assembly

Ref.No	Part.No	Description	Qty.
1	KD4105-1012101	Oil Cooler Cover	1
2	KD4105-1012001	Oil Cooler Cove Gasket	1
3	KD4105-1012002	O Seal Ring	2
4	KD4105-1012200	Oil Cooler Part	1
5	KD6105-1012102	Bypass Valve Spring Seat	1
6	KD6105-1012103	Seal Ring	1
7	KD6105-1012104	Adjusting Gasket	1
8	KD6105-1012105	Pressure Adjusting Spring	1
9	KD6105-1012106	Slide Valve	1
10	GB/T9074.15-1988	Assembling Bolt M8X70	1
11	GB/T899-1988	Stud M8X30	2
12	GB/T9074.15-1988	Assembling Bolt M8X50	2
13	GB/T9074.15-1988	Assembling Bolt M8X45	6
14	KD6105-1002027	Assembling Seal Washer	4
15	GB/T9074.15-1988	Assembling Bolt M8X30	16
16	GB/T9074.15-1988	Assembling Bolt M8X20	2
17	KD6105-1012107	Screw Plug	1

KD4105-1011000 Oil Filter and Oil Pump Assembly

Ref.No	Part.No	Description	Qty.
1	GB/T9074.15-1988	Bolt Assembly M8X20	2
2	KD6105-1011004	Upper Shaft Sleeve Cover of Oil Pump	1
3	KD6105-1011005	Upper Shaft Sleeve Cover Seal Ring of Oil Pump	1
4	KD6105-1011001	Driving Gear Shaft	1
5	KD6105-1011002	Adjusting Gasket	1
6	KD6105-1011003	Spline Cover	1
7	KD4105-1011100	Oil Pump Part	1
8	GB/T9074.15-1988	Bolt Assembly M10X25	2

KD4105-1103000 Lube Oil Pipe Duct Assembly

Ref.No	Part.No	Description	Qty.
1	KD4105-1103400	Lube Oil Pipe Part of Fuel Injection Pump	1
2	KD4105-1103200	Oil Outlet Curved Pipe Part of Oil Pump	1
3	GB/T9074.15-1988	Bolt Assembly M8X40	4
4	KD6105-1011006	Curved Pipe Gasket of Oil Pump	2
5	KD4105-1103300	Oil Filter Pipe Assembly	1
6	KD6105-1013002	O Seal Ring	2
7	GB/T859-1987	Washer 8	2
8	GB/T6170-2000	Nut M8	2
9	GB/T9074.15-1988	Bolt Assembly M8X40	2
10	KD4105-1103100	Tie-in Assembly	1
11	KD4105-1103101	Connection Stud	1
12	KD4105-1103102	Assembling Seal Ring	2
13	KD4105-1103103	Nut	1

KD4105-1007000 Inlet/Exhaust Manifold Assembly

Ref.No	Part.No	Description	Qty.
1	GB/T5789-1986	Bolt M8X25	4
2	KD4105-1007001	Inlet Manifold	1
3	GB/T899-1988	Double-head Stud AM8X25	4
4	KD4105-1007005	Inlet Connection Pipe Gasket	1
5	GB/T5789-1986	Bolt M10X25	2
6	KD4105-1007007	Inlet Straight Pipe	1
7	KD4105-1007006	Inlet Manifold Dustproof Cover	1
8	KD4105-1007002	Inlet Manifold Gasket	1
9	KD4105-1007003	Exhaust Manifold	1
10	GB/T5789-1986	Bolt M8X6	2
10-1	GB/T5789-1986	Bolt M8X6 (Stainless Steel)	2
11	GB/T899-1988	Double-head Stud AM8X6 (I)	2
11-1	GB/T899-1988	Double-head Stud M8X6 (I) (Stainless Steel)	2
12	GB/T899-1988	Double-head Stud AM8X7 (I)	2
12-1	GB/T899-1988	Double-head Stud M8X7 (I) (Stainless Steel)	2
13	GB/T6177.1-2000	Nut M8	8
13-1	GB/T6177.1-2000	Nut M8 (Stainless Steel)	8
14	GB/T5789-1986	Bolt M8X70	2
14-1	GB/T5789-1986	Bolt M8X70 (Stainless Steel)	2
15	KD4105-1007004	Exhaust Manifold Gasket Subassembly	2

KD4105-1002000 Machine Case Assembly

Ref.No	Part.No	Description	Qty.
1	KD6105-1002201	Gear Box Cover	1
2	KD6150-1002203	Inspection Hole Cover Gasket	2
3	KD6105-1002202	Inspection Hole Cover	2
4	GB/T9074.15-1988	Bolt Assembly M6X12	4
5	KD4105-1002204	Timing Pointer	1
6	KD4105-1002012	Crankshaft Front Oil Seal	1
7	GB/T9074.17-1988	Bolt Assembly M8X55	5
8	GB/T9074.17-1988	Bolt Assembly M8X25	7
9	KD6105-1002003	Gear Box Cover Gasket	1
10	KD6105-1002302	Idle Gear Bushing	1
11	KD6105-1002301	Idle Gear	1
12	GB/T1192-2000	Pin 10X55 InHl	1
13	GB/T9074.15-1988	Bolt Assembly M8X45	2
14	GB/T9074.15-1988	Bolt Assembly M8X20	4
15	KD4105-1002001	Gear Box	1