

# ***GENERAL PURPOSE ENGINE***

**GX390T1  
GX390T2**

**PARTS CATALOGUE**

**3**



(PX TYPE)

GX390T1



(QBH TYPE)

---

FOREWORD INDEX

**1**

---

ENGINE GROUP

**2**

---

PART NUMBER INDEX

**3**

---

PART NAME INDEX

**4**

---



**Instruction for use of parts catalogue**

- **This parts catalogue was prepared based on the latest information available as of March 20, 2010.**
- See the parts catalogue news for any revision that is made after March 20, 2010.
- **Always specify the part number when ordering a part.**
- Check the model, type, serial numbers, color, maker, and the size as needed before ordering a part.
- Note that the illustrations (part drawings) can differ from the actual parts in shape. They are given just to help you to refer to the parts.
- **When modifications or additions to this parts catalogue are made, a revised edition will be issued at an appropriate time, with successively progressing revision numbers on the cover. We recommend obtaining such revisions in order to keep your parts catalogue up-to-date at all times. To check whether a parts catalogue revision has been issued, please contact your Honda distributor.**

Initial version issue date **November 10, 2003**  
**Honda Motor Co., Ltd.**

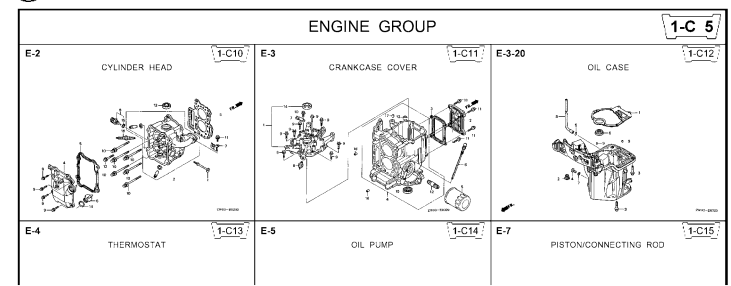
**CONTENTS**

	Page	Address No.	
● Instruction for use of parts catalogue .....	1	B 1	<b>1</b>
● How to refer to the part information .....	2	B 2	
● Part catalogue structure .....	3	B 3	
● When the parts were revised .....	4	B 4	
● Abbreviations used in the parts catalogue .....	4	B 4	
● How to check the part block and serial numbers .....	5	B 5	
● Models, parts catalogue codes and applicable serial numbers .....	6	B 6	
● Features of each type .....	11	B11	
● Fuel hose, general purpose hoses and vinyl hose .....	21	C 5	
● FLAT RATE SERVICE TIME .....	22	C 6	
● Illustrated index .....	27	C11	
● ENGINE GROUP .....	32	D 1	<b>2</b>
● PART NO. INDEX .....	103	I 1	<b>3</b>
● PART NAME INDEX .....	107	J 1	<b>4</b>

How to refer to the part information

1

A Reference with "Illustrated index"



B Reference with "Part number index"

PART NO. INDEX

Part Number	Address	Page	Ref.	Part Number	Address	Page
06000				15212-ZW9-000	1-C14	3C
06316-ZW9-000	1-69	88	1	15220-ZW9-003	1-C14	3C
11000				15332-ZW9-000	1-E8	55
11300-ZW9-405	1-C11	27	1	15332-ZW9-A30	1-E11	5E
11300-ZW9-406	1-C11	27	1	15400-PFB-004	1-C11	27
11340-ZW9-000	1-C11	27	2	15422-ZW9-000	1-C14	3C
11342-ZW9-000	1-C11	27	3	15473-881-000	1-C14	3C
11381-ZW9-003	1-C12	28	1	15474-ZW9-000	1-C14	3C
				15611-921-000	1-C10	2E
				15655-ZW9-000	1-C11	27
				16000		
12000				16010-ZV4-005	1-D4	3E
12000-ZW9-405ZA	1-C11	27	4	16011-ZV4-005	1-D4	3E
12155-ZV4-A00	1-C13	29	1	16013-ZW9-003	1-D4	3E
12166-ZW9-000	1-C10	26	1	16016-ZW9-003	1-D4	3E
12209-GB4-681	1-C16	32	1	16016-ZW9-721	1-D4	3E
12210-ZW9-405ZA	1-C10	26	2	16023-ZW9-003	1-D4	3E
12216-ZE2-300	1-E8	55	1	16024-ZV4-650	1-D4	3E
	1-E11	58	1	16028-ZV4-650	1-D4	3E

Address No. 1-C10

Block No. E-2 CYLINDER HEAD

Ref No.

Ref. No.	Part No.	Description	Reqd. QTY						Serial No.	Parts catalogue code
			99D1	99D1	1001	1001	1001	1001		
1	12166-ZW9-000	STOPPER, ENGINE SIDE	2	2	2	2	2	2		
2	12210-ZW9-000ZA	HEAD COMP., CYLINDER	1	1	1	1	1	1		
3	12251-ZW9-003	GASKET, CYLINDER HEAD	1	1	1	1	1	1		
4	12310-ZW9-000	COVER COMP., HEAD	1	1	1	1	1	1		
5	12312-ZW9-000	PACKING, HEAD COVER	1	1	1	1	1	1		
6	15611-921-000	CAP, OIL (NO GAUGE)	1	1	1	1	1	1		
7	16617-ZW9-000	HOLDER, CABLE	1	1	1	1	1	1	SC,SG	
	16617-ZW9-010		1	1	1	1	1	1	1001800 LHC,LHD	
			1	1	1	1	1	1	1001801 LHC,LHD	
8	35675-ZW5-003	SENSOR ASSY., WATER	1	1	1	1	1	1		
9	90003-ZW9-000	BOLT, FLANGE, 6X22	1	1	1	1	1	1		
10	90007-ZW9-003	BOLT, FLANGE, 8X83	6	6	6	6	6	6		
11	90011-ZW9-000	BOLT, FLANGE, 6X14(CT200)	1	1	1	1	1	1		
12	90020-ZW9-000	BOLT, FLANGE, 8X40	2	2	2	2	2	2		
13	91202-KJ9-003	OIL SEAL, 20X32X6	1	1	1	1	1	1		
14	91301-805-000	O-RING, 26X2.7	1	1	1	1	1	1		
15	91307-PK2-005	O-RING, 9.5X1.5(HONDA KIKAKI)	1	1	1	1	1	1		
16	98059-55916	PLUG, SPARK (CR5EH-9)	2	2	2	2	2	2		
	98059-55926	PLUG, SPARK (U16FER9)	2	2	2	2	2	2		

Service item F.R.T.

O-RING, 26X2.7	0.1
PLUG, SPARK	0.2
O-RING, 9.5X1.5	0.2
SENSOR ASSY., WATER	0.3
COVER COMP., HEAD	0.3
PACKING, HEAD COVER	1.8
GASKET, CYLINDER HEAD	2.4
OIL SEAL, 20X32X6	2.4
HEAD COMP., CYLINDER	3.1

ZW83-ED200

Page No.

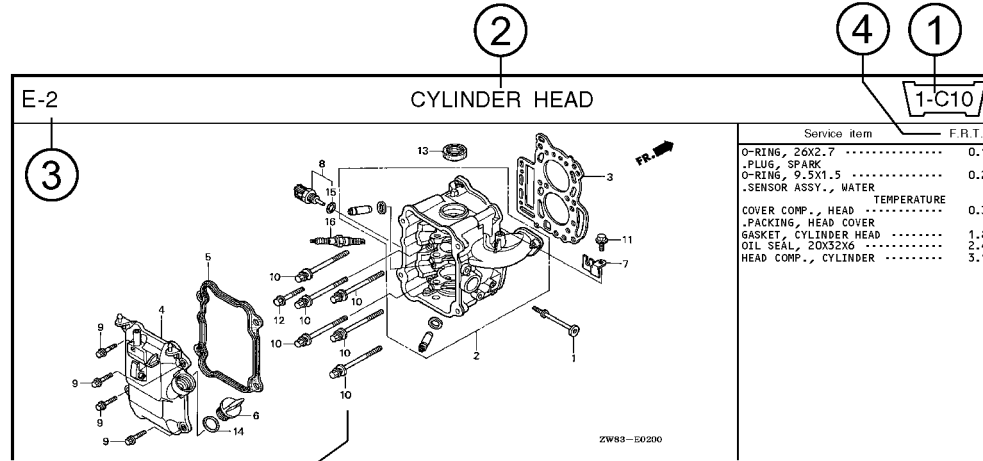
2000.09.20 E

C Reference with "Part name index"

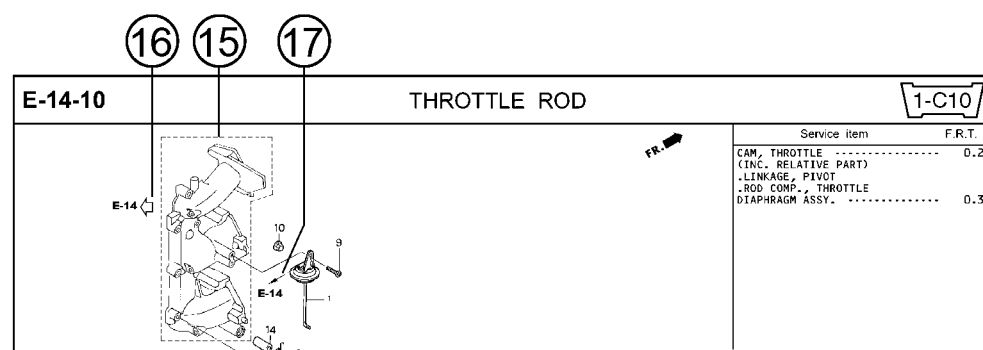
PART NAME INDEX

Part name	Address	Page	Ref.
[ A ]			
ABSORBER , FUEL	1-E15	62	5
ARMATURE COMP.	1-D11	43	7
ARM COMP. , LINK JOINT	1-G6	85	18
ARM COMP. , SHIFT LINK	1-G6	85	14
ARM COMP. , TILT	1-F15	79	20
ARM , FUEL PUMP ROCKER	1-C16	32	4
ARM , REVERSE LOCK	1-F15	79	18
ARM , SHIFT LINK	1-F11	74	7
ARM , STOPPER	1-D1	33	12
ARM , THROTTLE REMOTE	1-F11	74	6
ARM , VALVE ROCKER	1-C16	32	3
[ B ]			
BAG , TOOL , 160MM	1-G5	84	10
BAND	1-G6	86	37
BAND B1 , WIRE	1-F6	69	1
BAND , CORD	1-F3	67	18
BAND , TUBE CLIP , 11MM	1-E15	63	20
BAND , TUBE CLIP , 12.5MM	1-E15	63	19

**Part catalogue structure**



Ref. No.	Part No.	Description	Reqd. QTY						Serial No.	Parts catalogue code
			BF 9/9D1	BFP 9/9D1	BF 10D1	BFP 10D1	BF 10B1	BFP 10B1		
1	12166-zw9-000	STOPPER, ENGINE SIDE	2	2	2	2	2	2		
2	12210-zw9-000ZA	HEAD COMP., CYLINDER *NHS* ..... DARK GRAY	1	1	1	1	1	1		
3	12251-zw9-003	GASKET, CYLINDER HEAD	1	1	1	1	1	1		
4	12310-zw9-000	COVER COMP., HEAD	1	1	1	1	1	1		
5	12312-zw9-000	PACKING, HEAD COVER	1	1	1	1	1	1		
6	15611-921-000	CAP, OIL (NO GAUGE)	1	1	1	1	1	1		
7	16617-zw9-000	HOLDER, CABLE	1	1	1	1	1	1	SC,SG	
	16617-zw9-010		1	1	1	1	1	1	1001800 LHC,LHD	



- ① **Address number**
  - Address No. is provided (in place of the page No.) to help you refer to the part with the part No. or part name.
- ② **Block title** ③ **Block number**
- ④ **Service item/Flat rate time**
- ⑤ **Reference number**
  - Title number marked with the parenthesis or parentheses indicates that it continues from the previous page.
- ⑥ **Part number** ⑦ **Honda color code**
- ⑧ **Description**
- ⑨ **Assemblies**
  - Sections framed with broken lines in the exploded view drawings are available as complete assemblies. (Their individual parts can also be obtained.)
- ⑩ **Color description**
- ⑪ **Note**
  - Notes are shown with the parentheses in the part name column.
- ⑫ **Required quantity**
  - Required QTY shown in the parenthesis or parentheses indicates the optional part.
  - Required QTY marked with "N" Indicates the optional part that should be selected as needed.
  - Required QTY indicates the number of the part used in the block.
- ⑬ **Serial number**
- ⑭ **Type**
  - When the type column is blank, it indicates that the part is applicable to all types.
  - As the type of the actual unit may differ from the "parts catalogue, type" please refer to "Models, types and applicable serial numbers" for confirmation.
- ⑮ **[Dotted line frame]**
  - Parts enclosed within a dotted line [ ] are covered in a different block.
- ⑯ **[Hollow arrow]**
  - A hollow arrow ↖ indicates the block No. for the parts enclosed within a dotted line [ ] .
- ⑰ **[Solid arrow]**
  - A solid arrow ← indicates the block No. the part in question is connected to.

**When the parts were revised**



Be sure to check the serial number!!



Ref. No.	Part No.	Description	Reqd. QTY						Serial No.
			BF 99D1	BFP 9.9D1	BF 10D1	BFP 10D1	BF 10B1	BFP 10B1	
1	12166-ZW9-000	STOPPER, ENGINE SIDE .....	2	2	2	2	2	2	
2	12210-ZW9-000ZA	HEAD COMP., CYLINDER *NHS* ..... DARK GRAY	1	1	1	1	1	1	
3	12251-ZW9-003	GASKET, CYLINDER HEAD .....	1	1	1	1	1	1	
4	12310-ZW9-000	COVER COMP., HEAD .....	1	1	1	1	1	1	
5	12312-ZW9-000	PACKING, HEAD COVER .....	1	1	1	1	1	1	
6	15611-921-000	CAP, OIL (NO GAUGE) .....	1	1	1	1	1	1	
7	16617-ZW9-000	HOLDER, CABLE (###) .....	1	1	1	1	1	1	SC, SG LHC, LHD LHC, LHD
	16617-ZW9-010	.....	1	1	1	1	1	1	

The number has been used from the initial model without revision. When shown at the left side, it is applicable to the models of No.1001801 and the subsequent numbers. When shown at the right side, it is applicable to the models up to No.1001800.

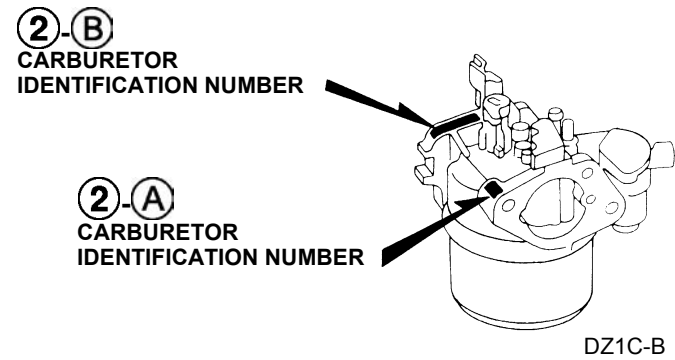
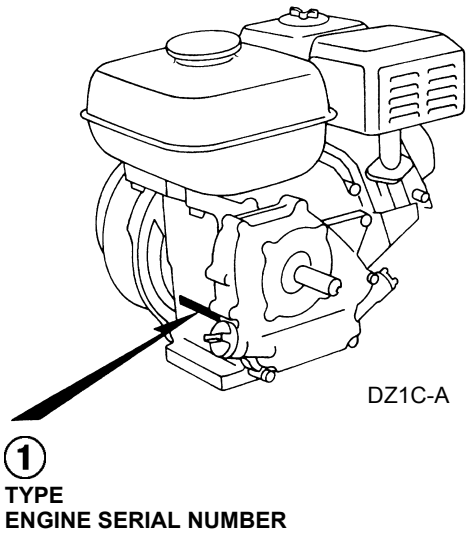
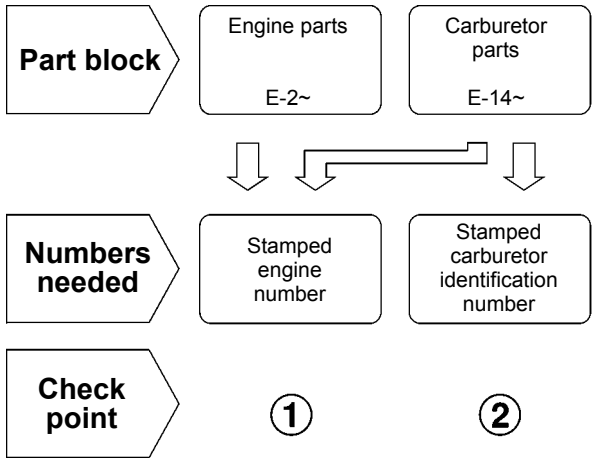
• The parts listed with "###" at the end of the parts name have limited supply period (parts not for sale).

**Abbreviations used in the parts catalogue**

• The following abbreviations are used in the parts name column.

- A ..... Ampere
- A.C. .... Alternating current
- ASSY. .... Assembly
- AT. .... Automatic transmission
- C.D.I. .... Capacitive discharge ignition
- COMP. ... Complete
- D.C. .... Direct current
- EX. .... Exhaust
- G.F.C.I ... Ground fault circuit interruptor
- HEX. .... Hexagonal
- H.S.T. .... Hydrostatic transmission
- FR. ....Front
- IN. ....Inlet
- L (100L) .Link (100 Links)
- L. ....Left
- MM .....Millimeter
- MT. ....Manual Transmission
- P.T.O. ....Power take off
- R. ....Right
- RR. ....Rear
- STD. ....Standard
- T (22T) ...Tooth (22 Teeth)
- V .....Volt
- W .....Watt

How to check the part block and serial numbers





### Models, parts catalogue codes and applicable serial numbers

- Models, parts catalogue codes and applicable serial Nos. given in this parts catalogue can be identified as follows.

Model	Type	Parts catalogue type	Applicable engine serial No.	Applicable carburetor identification No.	Model	Type	Parts catalogue type	Applicable engine serial No.	Applicable carburetor identification No.
GX390T1	ES2	ES2	GCAET-1000001~	BE87K A	GX390T1	PXE8	PXE8	GCAET-1000001~ 9999999	BE85K A
	ES3	ES3				PXU	PXU		
	LBHB	LBHB	GCBBT-1000001~	BE85W A		QAA2	QAA2		BE85Q A
	LH	LH	GCAET-1000001~	BE85K A		QAA6	QAA6		
	LHB5	LHB5				QAPW	QAPW		GCAET-1000001~
	LHP1	LHP1				QA2	QA2	GCAET-1000001~ 9999999	BE85Q A
	LH2	LH2				QA26	QA26		
	LP	LP				QBE1	QBE1	GCAET-1000001~	BE85N A
	LT	LT				QBH	QBH	GCBBT-1000001~	BE85W A
	LXE8	LXE8	QBHS	QBHS					
	LXE9	LXE9	GCAET-1000001~	BE85K A		QBLS	QBLS	GCAET-1000001~	BE85Y A
	LXU	LXU	GCAET-1000001~ 9999999			QBS	QBS		
	PX	PX	GCAET-1000001~			QH	QH		BE85K A

Model	Type	Parts catalogue type	Applicable engine serial No.	Applicable carburetor identification No.	Model	Type	Parts catalogue type	Applicable engine serial No.	Applicable carburetor identification No.
GX390T1	QHB1	QHB1	GCAET-1000001~	BE85N A	GX390T1	QXE8	QXE8	GCAET-1000001~ 9999999	BE85K A
	QHB3	QHB3		BE85K A		QXK	QXK	GCAET-1000001~	
	QHB5	QHB5				BE85Q A	QXQ4	QXQ4	GCAET-1000001~ 9999999
	QHP1	QHP1		BE85K A			QXU	QXU	GCAET-1000001~
	QMH	QMH				BE86N A	SH	SH	
	QN	QN		BE85N A			SHE	SHE	
	QP	QP				BE85N A	SN	SN	GCAET-1000001~
	QT	QT		BE85K A			SWE	SWE	
	QTD	QTD				BE85K A	SWE2	SWE2	
	QTN	QTN		BE85K A			SWX	SWX	
	QX	QX				BE85K A	SWX2	SWX2	
	QXE	QXE		BE85K A			SX	SX	
	QXEK	QXEK				BE85K A	SXC	SXC	

Model	Type	Parts catalogue type	Applicable engine serial No.	Applicable carburetor identification No.	Model	Type	Parts catalogue type	Applicable engine serial No.	Applicable carburetor identification No.
GX390T1	SXE	SXE	GCAET-1000001~	BE85K A	GX390T1	VXE	VXE	GCAET-1000001~	BE85M A
	SXE8	SXE8	GCAET-1000001~ 9999999			BE85Q A	VXE8	VXE8	
	SXQ4	SXQ4		GCAET-1000001~			VXK	VXK	
	VMQ3	VMQ3	VXU1			VXU1			
	VMT2	VMT2	GCAET-1000001~ 9999999			VX8	VX8		
	VMT3	VMT3			GCBDT-1000001~	BE87K A			
	VSB4	VSB4	BE85L A						
	VSB5	VSB5					BE87K A		
	VSP	VSP	BE85N A						
	VS4	VS4		BE85M A					
	VS6	VS6	BE88A A						
	VTE5	VTE5		BE88A A					
VX	VX	BE88A A							
GX390T2	ES2		ES2	GCBDT-1000001~	BE85K A				
	LH	LH							
	LHB5	LHB5							
	LHP1	LHP1							
	LH2	LH2							
	LXE9	LXE9							
	PX	PX							
	QAPW	QAPW							

Model	Type	Parts catalogue type	Applicable engine serial No.	Applicable carburetor identification No.	Model	Type	Parts catalogue type	Applicable engine serial No.	Applicable carburetor identification No.
GX390T2	QBE1	QBE1	GCBDT-1000001~	BE85N A	GX390T2	QXK	QXK	GCBDT-1000001~	BE85K A
	QH	QH		BE85K A		SH	SH		
	QHB1	QHB1		BE85N A		SWE2	SWE2		
	QHB3	QHB3		BE85K A		SWX	SWX		
	QHB5	QHB5				SWX2	SWX2		
	QHP1	QHP1		-		SX	SX		
	QMH	QMH		BE85K A		SXC	SXC		
	QN	QN		BE85N A		VMQ3	VMQ3		
	QP	QP				VMT	VMT		
	QTD	QTD		BE85K A		VMT2	VMT2		
	QX	QX				VMT3	VMT3		
	QXE	QXE				VSB3	VSB3		
	QXEK	QXEK				VSB4	VSB4		
									BE87L A

Model	Type	Parts catalogue type	Applicable engine serial No.	Applicable carburetor identification No.
GX390T2	VSP	VSP	GCBDT-1000001~	BE88F A
	VS4	VS4		BE87K A
	VS6	VS6		BE85N A
	VTE5	VTE5		BE85M A
	VX	VX		
	VXE	VXE		
	VXK	VXK		
	VXU1	VXU1		

\* Of carburetor identification numbers, only the portions underlined in the example below are used for registration.

BE 87K A KC ナ  
 (A) (B)

Features of each type

- See the following table for the features of each type. (Items in brackets are optional)

Specifications		Model	GX390T1										
		Type	ES2	ES3	LBHB	LH	LHB5	LHP1	LH2	LP	LT	LXE8	LXE9
Crankshaft	30mmØ Spline			●	●	●	●	●	●	●	●	●	●
	25.4mmØ Spline												
	25.4mmØ Straight												
	25mmØ Straight												
	5/16" Tapered												
	M10 Tapered	●	●										
Air cleaner	Silent				●	●	●	●			●	●	●
	Oil bath									●			
	Boat			●									
	Standard												
	Generator	●	●										
Muffler		●	●	●	●	●	●	●		●	●	●	●
Muffler cover													
Spark arrester												(●)	(●)
Fuel tank				●	●	●	●	●	●	●	●	●	●
Oil alert		●	●								●	●	●
Starter motor											●	●	
Control box											●	●	
Reduction				●	●	●	●	●	●	●	●	●	●

Specifications		Model	GX390T1											
		Type	PX	PXE8	PXU	QAA2	QAA6	QAPW	QA2	QA26	QBE1	QBH	QBHS	QBLS
Crankshaft	30mmØ Spline													
	25.4mmØ Spline	●	●	●										
	25.4mmØ Straight				●	●	●	●	●	●	●	●	●	●
	25mmØ Straight													
	5/16" Tapered													
	M10 Tapered													
Air cleaner	Silent	●	●	●	●	●		●	●					
	Oil bath									●				
	Boat										●	●	●	
	Standard							●						
	Generator													
Muffler		●	●	●	●	●	●	●	●	●	●	●	●	●
Muffler cover														
Spark arrester								(●)	●	●	(●)			
Fuel tank		●	●	●	●	●	●	●	●	●	●	●	●	●
Oil alert		●	●	●	●	●	●	●	●					●
Starter motor			●								●			
Control box			●								●			
Reduction														

Specifications		Model	GX390T1											
		Type	QBS	QH	QHB1	QHB3	QHB5	QHP1	QMH	QN	QP	QT	QTD	QTN
Crankshaft	30mmØ Spline													
	25.4mmØ Spline													
	25.4mmØ Straight	●	●	●	●	●	●	●	●	●	●	●	●	●
	25mmØ Straight													
	5/16" Tapered													
	M10 Tapered													
Air cleaner	Silent		●		●	●	●	●	●					
	Oil bath			●						●	●	●	●	
	Boat	●												
	Standard													
	Generator													
Muffler		●	●	●	●	●	●	●	●	●	●			●
Muffler cover				(●)										
Spark arrester				(●)										
Fuel tank		●	●	●	●	●	●	●	●	●	●	●	●	●
Oil alert		●												
Starter motor														
Control box														
Reduction														



Specifications		Model	GX390T1											
		Type	QX	QXE	QXEK	QXE8	QXK	QXQ4	QXU	SH	SHE	SN	SWE	SWE2
Crankshaft	30mmØ Spline													
	25.4mmØ Spline													
	25.4mmØ Straight	●	●	●	●	●	●	●						
	25mmØ Straight								●	●	●	●	●	
	5/16" Tapered													
	M10 Tapered													
Air cleaner	Silent	●	●	●	●	●	●	●	●	●	●			
	Oil bath											●	●	
	Boat													
	Standard													
	Generator													
Muffler	●	●	●	●	●	●	●	●	●	●	●	●	●	
Muffler cover							(●)							
Spark arrester														
Fuel tank	●	●	●	●	●	●	●	●	●	●	●	●	●	
Oil alert	●	●	●	●	●	●	●	●						
Starter motor		●	●	●						●		●	●	
Control box		●	●	●						●		●	●	
Reduction														

Specifications		Model	GX390T1											
		Type	SWX	SWX2	SX	SXC	SXE	SXE8	SXQ4	VMQ3	VMT2	VMT3	VSB4	VSB5
Crankshaft	30mmØ Spline													
	25.4mmØ Spline													
	25.4mmØ Straight													
	25mmØ Straight	●	●	●	●	●	●	●						
	5/16" Tapered								●			●	●	
	M10 Tapered									●	●			
Air cleaner	Silent			●	●	●	●	●						
	Oil bath	●	●											
	Boat													
	Standard													
	Generator								●	●	●	●	●	
Muffler		●	●	●	●	●	●	●	●	●	●	●	●	
Muffler cover								(●)						
Spark arrester														
Fuel tank		●	●	●	●	●	●	●						
Oil alert		●	●	●	●	●	●	●	●	●	●	●	●	
Starter motor						●	●			●	●		●	
Control box						●	●			●	●			
Reduction														

Specifications		Model	GX390T1									
		Type	VSP	VS4	VS6	VTE5	VX	VXE	VXE8	VXK	VXU1	VX8
Crankshaft	30mmØ Spline											
	25.4mmØ Spline											
	25.4mmØ Straight											
	25mmØ Straight											
	5/16" Tapered	●	●	●	●	●	●	●	●	●	●	
	M10 Tapered											
Air cleaner	Silent	●			●	●	●	●	●	●	●	
	Oil bath											
	Boat											
	Standard											
	Generator		●	●								
Muffler		●	●	●	●	●	●	●	●	●	●	
Muffler cover												
Spark arrester												
Fuel tank		●				●	●	●	●	●	●	
Oil alert		●	●	●	●	●	●	●	●	●	●	
Starter motor				●	●		●	●	●	●		
Control box					●		●	●	●	●		
Reduction												

Specifications		Model	GX390T2											
		Type	ES2	LH	LHB5	LHP1	LH2	LXE9	PX	QAPW	QBE1	QH	QHB1	QHB3
Crankshaft	30mmØ Spline		●	●	●	●	●							
	25.4mmØ Spline							●						
	25.4mmØ Straight								●	●	●	●	●	
	25mmØ Straight													
	5/16" Tapered													
	M10 Tapered	●												
Air cleaner	Silent		●	●	●	●	●	●	●		●		●	
	Oil bath									●		●		
	Boat													
	Standard													
	Generator	●												
Muffler		●	●	●	●	●	●	●	●	●	●	●	●	
Muffler cover												(●)		
Spark arrester							(●)		(●)	(●)		(●)		
Fuel tank		●	●	●	●	●	●	●	●	●	●	●	●	
Oil alert		●					●	●						
Starter motor							●			●				
Control box							●			●				
Reduction			●	●	●	●	●							

Specifications		Model	GX390T2											
		Type	QHB5	QHP1	QMH	QN	QP	QTD	QX	QXE	QXEK	QXK	SH	SWE2
Crankshaft	30mmØ Spline													
	25.4mmØ Spline													
	25.4mmØ Straight	●	●	●	●	●	●	●	●	●	●			
	25mmØ Straight											●	●	
	5/16" Tapered													
	M10 Tapered													
Air cleaner	Silent	●	●	●	●			●	●	●	●	●		
	Oil bath					●	●						●	
	Boat													
	Standard													
	Generator													
Muffler		●	●	●	●	●		●	●	●	●	●	●	
Muffler cover														
Spark arrester														
Fuel tank		●	●	●	●	●	●	●	●	●	●	●	●	
Oil alert								●	●	●	●			
Starter motor									●	●			●	
Control box									●	●			●	
Reduction														

Specifications		Model	GX390T2										
		Type	SWX	SWX2	SX	SXC	VMQ3	VMT	VMT2	VMT3	VSB3	VSB4	VSP
Crankshaft	30mmØ Spline												
	25.4mmØ Spline												
	25.4mmØ Straight												
	25mmØ Straight	●	●	●	●								
	5/16" Tapered					●				●	●	●	●
	M10 Tapered						●	●	●				
Air cleaner	Silent			●	●							●	
	Oil bath	●	●										
	Boat												
	Standard												
	Generator					●	●	●	●	●	●		●
Muffler	●	●	●	●	●	●	●	●	●	●	●	●	
Muffler cover													
Spark arrester													
Fuel tank	●	●	●	●								●	
Oil alert	●	●	●	●	●	●	●	●	●	●		●	
Starter motor						●	●	●	●				
Control box						●	●	●					
Reduction													

Specifications		Model	GX390T2					
		Type	VS6	VTE5	VX	VXE	VXK	VXU1
Crankshaft	30mmØ Spline							
	25.4mmØ Spline							
	25.4mmØ Straight							
	25mmØ Straight							
	5/16" Tapered	●	●	●	●	●	●	
	M10 Tapered							
Air cleaner	Silent		●	●	●	●	●	
	Oil bath							
	Boat							
	Standard							
	Generator	●						
Muffler		●	●	●	●	●	●	
Muffler cover								
Spark arrester								
Fuel tank				●	●	●	●	
Oil alert		●	●	●	●	●	●	
Starter motor		●	●		●	●	●	
Control box			●		●	●	●	
Reduction								

## Fuel hose, general purpose hoses and vinyl hose

- The standard part fuel hose, general purpose hose and vinyl hose may be substituted by the coiled bulk part.
- When ordering the standard part fuel hose, general purpose hose and vinyl hose use the bulk part number written in the parts catalog in brackets ( ) underneath the part name.
- When exchanging the hose, cut and use at the specified length as mentioned in the part name.  
(For the method of cutting the bulk part, and method of filling out orders etc., please refer to the instructions issued with the bulk part.)

### Bulk part number of fuel hose, general purpose hose and vinyl hose.

Example: 9 5 0 0 1 - 7 5 0 0 1 - 5 0 M

**Bulk part number:**  
Refers to the bulk part.

**Marking code (fuel hose and general purpose hose)**

**Change code (Vinyl hose)**

Indicates number mark or change sequence, however, the code for the bulk part must be strictly 0 (zero).

**Types of code:**

- |             |  |                |  |              |   |
|-------------|--|----------------|--|--------------|---|
| • Fuel hose | 2: Red outside braid<br>(3 mm inside dia. only)        | • General hose | 1: Ash gray<br>2: Ash gray<br>3: Black<br>5: Black | • Vinyl hose | 1: Clear<br>2: Black<br>3: Light red<br>6: Light red<br>7: Pale black |
|             | 5: Black inside braid                                  |                |  |              |   |
|             | 3: Red (3 mm inside dia. only)                         |                |  |              |   |
|             | 4: Ash gray with red stripe<br>(3 mm inside dia. only) |                |  |              |   |
|             | 6: Black   |                |  |              |   |

**Lengths:**

- 001: 1 m (standard)  
003: 3 m  
008: 8 m } Application or specification of some parts is not settled.

**I.D code: (fuel hose and general purpose hose)**

- |            |                    |                    |                             |                             |
|------------|--------------------|--------------------|-----------------------------|-----------------------------|
| 30: 3.0 mm | 50: 5.0 mm         | 70: 7.0 mm         | 11: 11 mm                   | 12: 12 (outside dia. 17) mm |
| 35: 3.5 mm | 55: 5.3 mm, 5.5 mm | 75: 7.3 mm, 7.5 mm | 91: 12 (outside dia. 15) mm | 14: 14 mm                   |
| 45: 4.5 mm | 65: 6.5 mm         | 80: 8.0 mm         | 92: 12 (outside dia. 16) mm | 17: 17 mm                   |

**ID./OD. code: (vinyl hose)**

- |                         |                          |                           |                           |                           |
|-------------------------|--------------------------|---------------------------|---------------------------|---------------------------|
| 01: ID. 2.9, OD. 6.8 mm | 12: ID. 5.0, OD. 7.0 mm  | 21: ID. 8.0, OD. 9.0 mm   | 37: ID. 11.0, OD. 15.0 mm | 50: ID. 16.0, OD. 19.0 mm |
| 03: ID. 3.0, OD. 6.0 mm | 10: ID. 5.0, OD. 8.0 mm  | 23: ID. 8.0, OD. 12.0 mm  | 38: ID. 12.0, OD. 13.0 mm | 55: ID. 17.5, OD. 20.5 mm |
| 05: ID. 3.5, OD. 6.5 mm | 11: ID. 5.0, OD. 9.0 mm  | 25: ID. 9.0, OD. 11.0 mm  | 39: ID. 12.0, OD. 14.0 mm | 60: ID. 22.0, OD. 27.0 mm |
| 07: ID. 4.0, OD. 7.0 mm | 14: ID. 6.0, OD. 9.0 mm  | 27: ID. 9.0, OD. 13.0 mm  | 40: ID. 12.0, OD. 16.0 mm |                           |
| 08: ID. 4.5, OD. 6.5 mm | 17: ID. 7.0, OD. 9.0 mm  | 33: ID. 10.0, OD. 14.0 mm | 43: ID. 13.0, OD. 15.0 mm |                           |
| 09: ID. 4.5, OD. 8.0 mm | 19: ID. 7.0, OD. 11.0 mm | 36: ID. 11.0, OD. 13.0 mm | 45: ID. 14.0, OD. 18.0 mm |                           |

**Hose type:**

- 1: Fuel hose  
3: Vinyl hose  
5: General hose

⊙ **CAUTION: It is DANGEROUS to confuse the fuel hose with the general purpose hose or vinyl hose.**

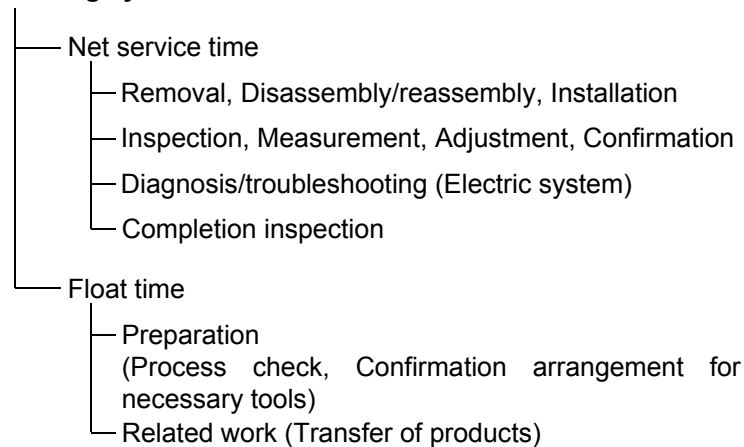
Never use a general purpose hose or vinyl hose in place of a fuel hose or vice versa. Always use the correct bulk part in the parts catalogue, according to the service manual or the instructions issued with the bulk part.



## FLAT RATE SERVICE TIME

Flat rate service time (FRT) means the standard time required to service a product, which is listed in this manual to help the dealers control the actual working process and calculate the service charge by using it as a guide.

### FRT setting system



\* Float time is set by multiplying the net service time by a given coefficient.

### Editorial style

The service items shown in the text are listed with the exchange work time for the repair sales parts as the subject. Other representative service items not using repair parts (removal/installation, adjustment, inspection/measuring, and other work) are listed collectively in the list in the preface, classified according to the work.

### FRT setting standard

- Decimal system (in unit of 0.1) is adopted to set FRT as it is convenient to calculate the wage.  
Example: (0.1) → 6 minutes, (0.2) → 12 minutes  
[Labor cost per hour] x [FRT] = [Wage]
- FRT is set with a hand tool.
- Service items and FRT can be subject to change depending on development of tools and service equipment and improvement in service procedure.

**Work procedure**

- As the work procedure is set with the work time according to the method in the separate Service Manual, refer to this Manual as required.
- Work methods permitting servicing in the shortest time still permitting assurance of safe work and product warranty are used for the setting of service items not listed in the Service Manual.
- Work basically is to be performed by one person, and when two or more people are required, setting is done as the total time for the number of people.
- The set value for the technological level of the workers uses a person with three years of experience in the repair of Honda products as the standard.
- Special tools and service equipment used to set FRT are those specified or recommended in Service Manual.

**Service item whose FRT is not presented**

- Accessories and service parts that are not listed to use in this manual.
  - Locations with little aging deterioration or breakage during normal use.
  - Service work that can be finished by one touch.
  - Service work that is seldom done (i.e. extremely small causes of trouble and service frequency).
  - Products and parts whose location for installation differs according to its status of use and application.
- \* When FRT is not presented, please calculate wages based on appropriate actual work time.

**Operation not included of FRT**

- Oil and coolant water draining, Waiting time for warming up operation and etc..
- Additional operation that involves removal/installation of standard exterior equipment.
- Indirect time spent for service by visiting the customer, trade-in, and delivery.
- Indirect time required for ordering and delivery of parts.
- Cost for grease, adhesive agent, etc. used for service work.

**Explanation of FRT by using an example  
(The example may differ from the actual presented items)**

Ref. No.	L.O.N.	(Relative ref. Number) Description	F.R.T.
①	1111L1	④ VALVE, INTAKE .....4.1	②
②		⑧ • NOTE: OHV type ⑥	⑦
③	1111L1A	⑤ • Includes: Engine removal and installation One head (intake all) add ..... 1.4	

- ① Reference No. of the illustration of part that shows location of the replacement work.
- ② FRT is an abbreviation of Flat Rate Time indicating the standard service time required for the replacement.
- ③ LON is an abbreviation of Labor Operation Number, and it is a classification of the service items by the work unit code.

The same operation code is used regardless of the models.

Standard operation is indicated with 6 digits code, and additional operation is indicated with 7 digits code.

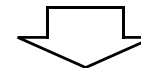
- ④ Indicating the intake valve replacement and FRT4.1.
- ⑤ Indicating FRT1.4 that will be added when additional operation (whole intake side of one cylinder head) is done in association with intake valve replacement.

- ⑥ Indicating work condition or application condition of the service item.
- ⑦ Indicating work contents that are included in the service item.
- ⑧ Indicating a reference No. whose operation and time are the same as FRT4.1 for the intake valve.

(The application range is limited to the service items without an LON setting within a same block.)

**How to refer to the service item by using the sample  
(intake valve replacement)**

Open to the page of the block where the intake valve's spare part illustration is shown.



Look for the intake valve illustration, and refer to the service item and FRT that agree with the reference No.

Indication mark for the listing of service items that continues to the following page

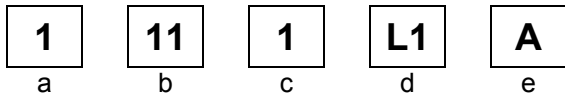
Ref. No.	L.O.N.	(Relative ref. Number) Description	F.R.T.
2	1111L1	VALVE, INTAKE .....	4.1
	.	.	.
	.	.	.

+  
Mark indicated at the last line.

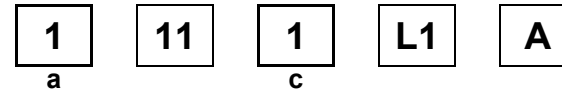
Indication of the block with no setting of FRT

Ref. No.	L.O.N.	(Relative ref. Number) Description	F.R.T.
NO INFORMATION .....			

• LON code system



- a) Category code..... Engine
- b) Location/function code ..... Engine upper
- c) Operation code..... Replace
- d) Operation sequence number (Unit code can be shown with alphabet)  
..... Intake valve  
(No regular rule of code)
- e) Additional code ..... One head (intake all)  
(No regular rule of code)



a) Category codes and classification

Code	Category
1	Engine
2	Power drive
3	Fuel & Exhaust
4	Frame & Body
5	Steering
6	Electrical
7	Axle & Brake
8	Control system
9	-
0	Attachments

c) Operation codes and classification

Code	Operation category
1	Replace, Removal/Installation, Change
2	Overhaul
3	Adjust, Rotation
4	(Paint-related work: Top-coat)
5	Test, Inspect/diagnose, Measurement
6	(Overhaul-related work: Rebore)
7	(Overhaul-related work: Reseal)
8	(Resurface)
9	(Paint-related work: Refinish)
0	Repair, Cleaning, Air bleeding

Major service items without using spare parts

- (1) Removal/Installation, (2) Adjustment,  
(3) Inspection/Masurement, (4) Overhaul, (5) Other work

E: Engine, T: Transmission, D: Drive system,  
B: Body and related parts

### (1) Removal/Installation

Set with the parts configuration in the status of being removed from the product.

	LON	DESCRIPTION	FRT
E	1111L3	CYLINDER HEAD ASSEMBLY-REMOVAL/INSTALLATION	0.5

### (2) Adjustment

	LON	DESCRIPTION	FRT
E	1113A1	VALVE CLEARANCE-ADJUSTMENT NOTE: For 1 product	0.3
	1163A0	CONTROL, THROTTLE/GOVERNOR-ADJUSTMENT	0.2
	3113A2	CARBURETOR IDLE-ADJUSTMENT	0.2

### (3) Inspection, Measurement, Cleaning

	LON	DESCRIPTION	FRT
E	1105A0	ENGINE OIL-INSPECTION	0.1
	3120A0	AIR CLEANER-CLEANING INCLUDES: Air cleaner-inspection	0.2
	3130A0	SPARK ARRESTER-CLEANING INCLUDES: Spark arrester-inspection	0.2
	6140A0	SPARK PLUG-ADJUSTMENT/CLEANING INCLUDES: Spark plug check NOTE: For 1 product	0.1

### (4) Overhaul

Work condition: The required Measurements, inspections, adjustments, and cleaning/washing of each part are performed, including the main body removal/installation work and the replacement of defective parts.

	LON	DESCRIPTION	FRT
E	3112A0	CARBURETOR-OVERHAUL INCLUDES: All necessary adjustment	0.6

### (5) Other work

	LON	DESCRIPTION	FRT
E	1101E1	ENGINE OIL-CHANGE INCLUDES: Engine oil-inspection	0.1

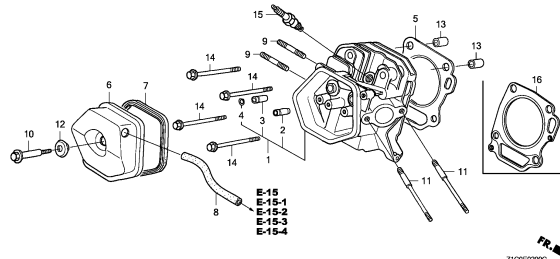
# ENGINE GROUP

**C11**

**E-2**

**CYLINDER HEAD**

**D 1**

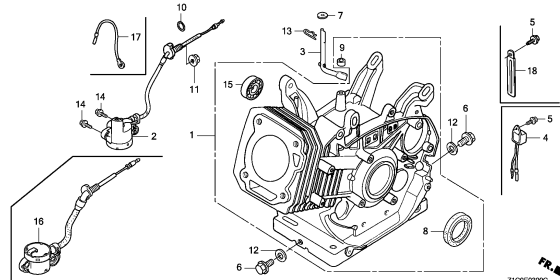


Z1COE000C

**E-3**

**CYLINDER BARREL**

**D 3**

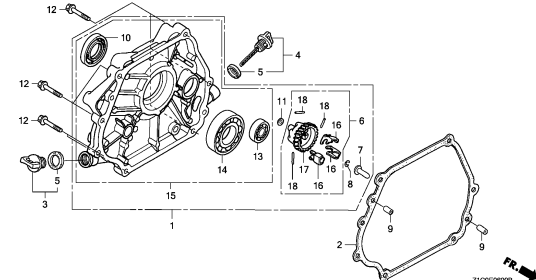


Z1COE000C

**E-6**

**CRANKCASE COVER(1)**

**D 5**

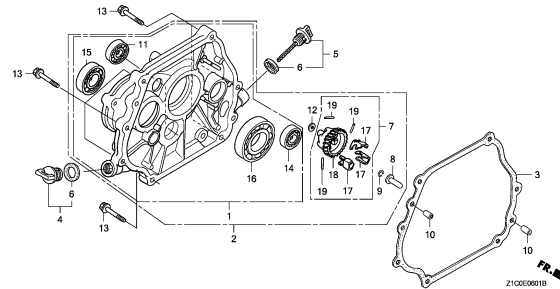


Z1COE000B

**E-6-1**

**CRANKCASE COVER(2)**

**D 7**

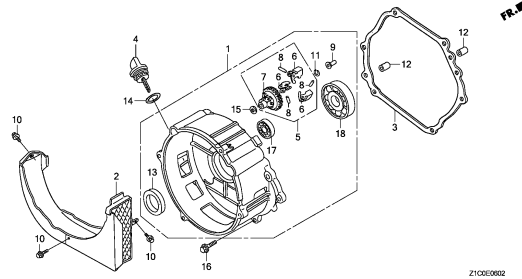


Z1COE001B

**E-6-2**

**CRANKCASE COVER(3)**

**D 8**

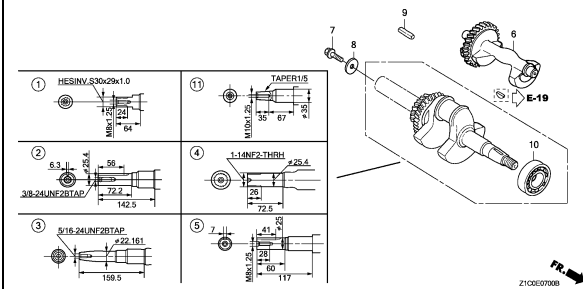


Z1COE002

**E-7**

**CRANKSHAFT**

**D 9**

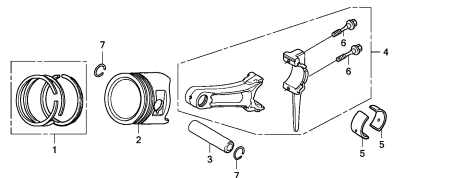


Z1COE0700

**E-8**

**PISTON**

**D11**

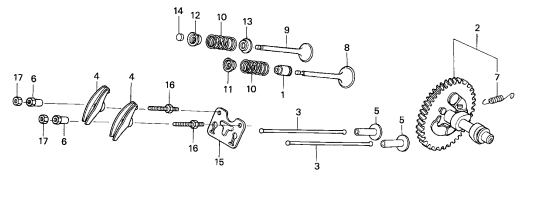


Z1COE080A

**E-9**

**CAMSHAFT**

**D15**

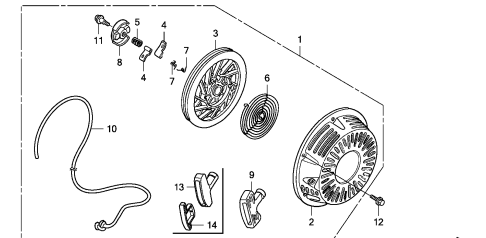


Z1CO-31900

**E-11**

**RECOIL STARTER**

**E 2**



Z1COE110A

**2**

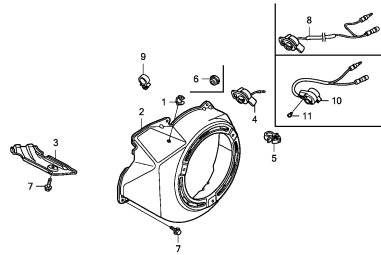
# ENGINE GROUP

**C12**

**E-12**

FAN COVER(1)

**E 4**

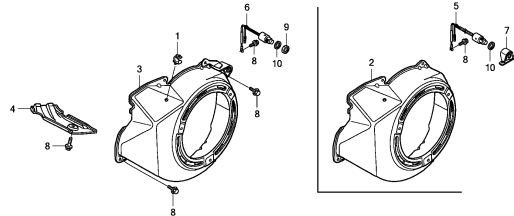


Z1COE12001

**E-12-1**

FAN COVER(2)

**E 6**

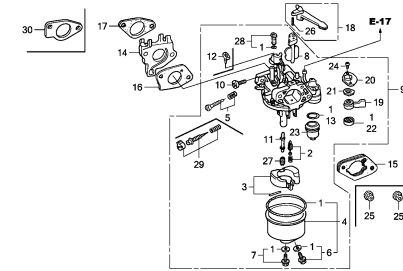


Z1COE12011

**E-14**

CARBURETOR(1)

**E 7**

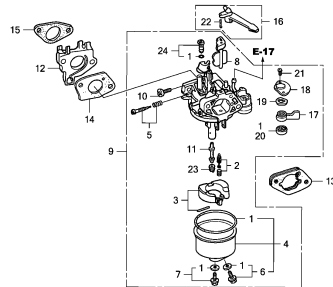


Z1COE1400E

**E-14-1**

CARBURETOR(2)

**E11**

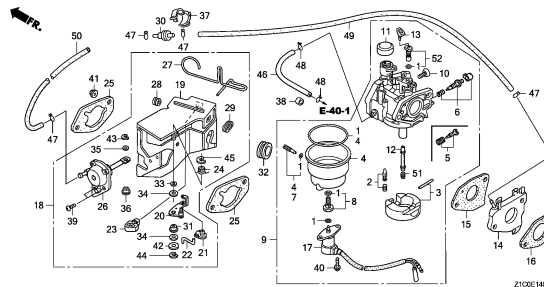


Z1COE1401A

**E-14-2**

CARBURETOR(3)

**E13**

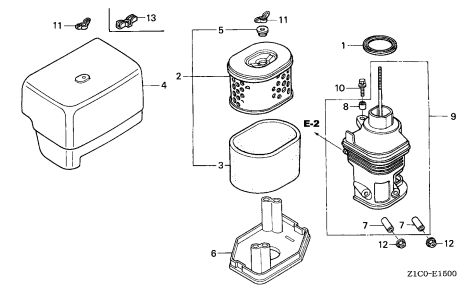


Z1COE1402A

**E-15**

AIR CLEANER(SILENT)(1)

**E15**

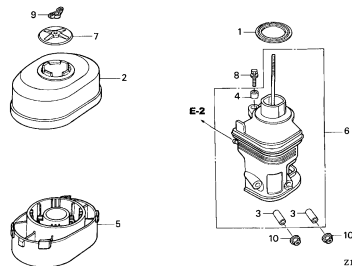


Z1CO-E1500A

**E-15-1**

AIR CLEANER(OIL BATH)

**F 1**

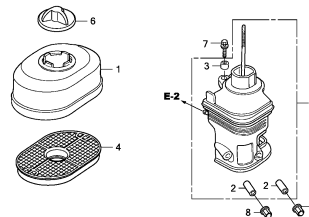


Z1CO-E1501A

**E-15-2**

AIR CLEANER(BOAT)

**F 2**

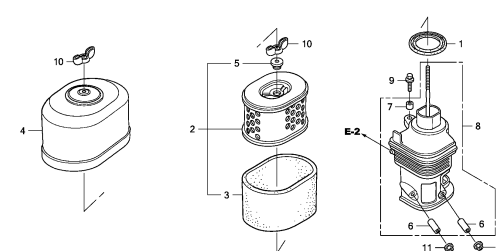


Z1COE1502

**E-15-3**

AIR CLEANER(STANDARD)

**F 3**



Z1COE1503

**2**

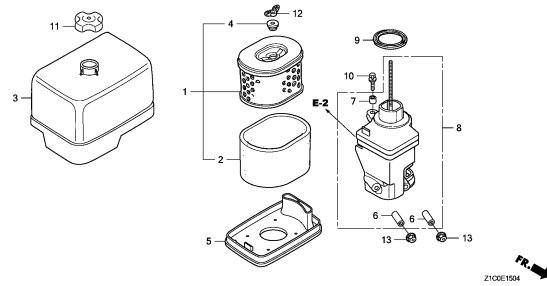
# ENGINE GROUP

**C13**

**E-15-4**

**AIR CLEANER(SILENT)(2)**

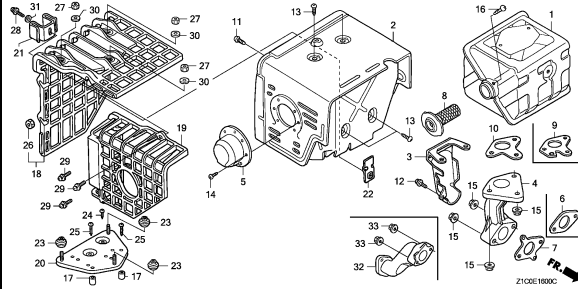
**F 4**



**E-16**

**MUFFLER(1)**

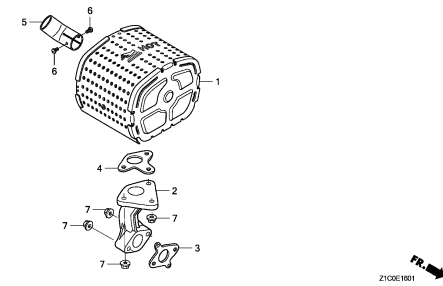
**F 5**



**E-16-1**

**MUFFLER(2)**

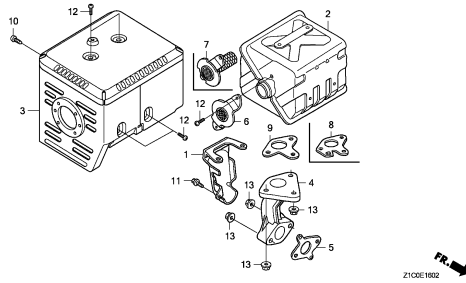
**F 8**



**E-16-2**

**MUFFLER(3)**

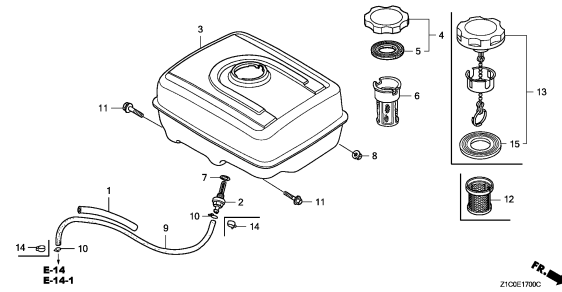
**F 9**



**E-17**

**FUEL TANK**

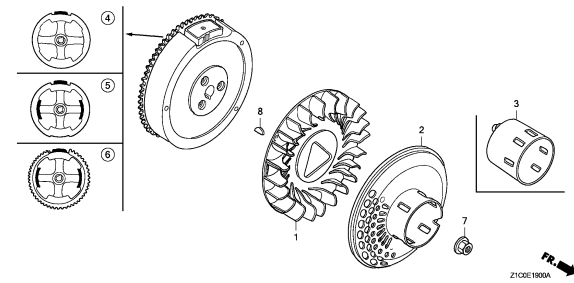
**F10**



**E-19**

**FLYWHEEL**

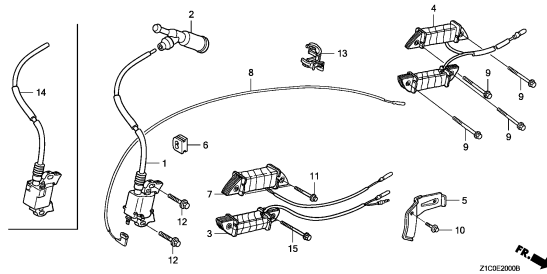
**F13**



**E-20**

**IGNITION COIL(1)**

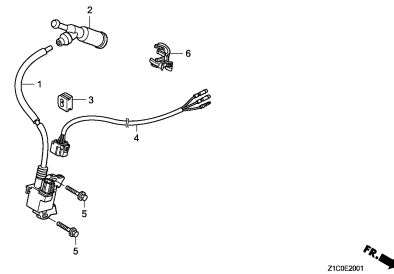
**F14**



**E-20-1**

**IGNITION COIL(2)**

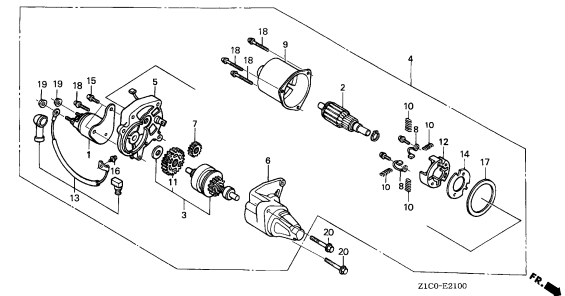
**G 1**



**E-21**

**STARTER MOTOR**

**G 2**



**2**



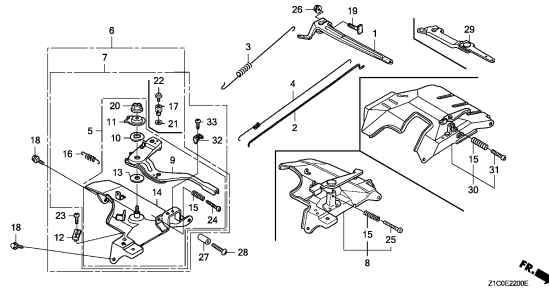
# ENGINE GROUP

**C14**

**E-22**

CONTROL(1)

**G 4**

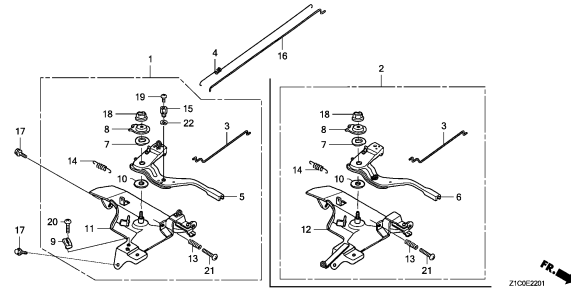


Z10CE2200E

**E-22-1**

CONTROL(2)

**G 8**

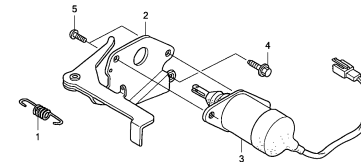


Z10CE2201

**E-22-20**

AUTO THROTTLE

**G 9**

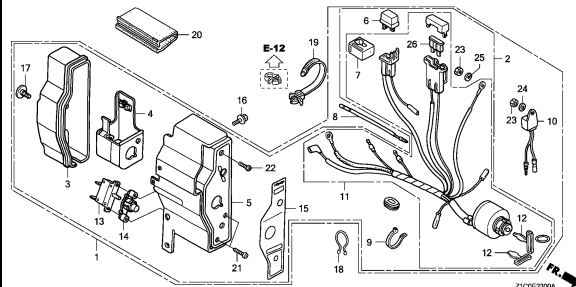


Z10CE2220

**E-23**

CONTROL BOX

**G10**

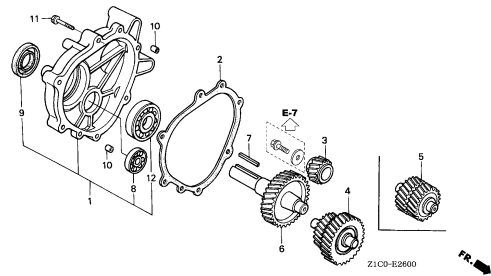


Z10CE2300A

**E-26**

REDUCTION

**G13**

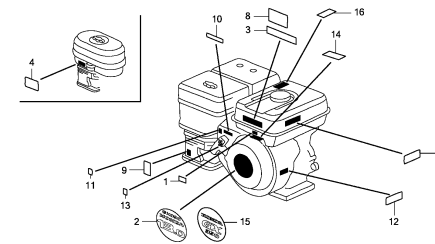


Z10CE2600

**E-28**

LABEL(1)

**G14**

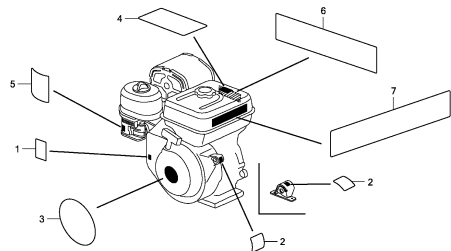


Z10CE2800

**E-28-1**

LABEL(2)

**G16**

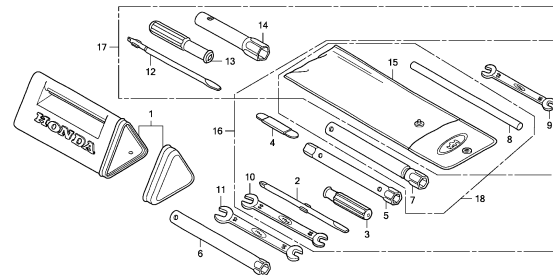


Z10CE2801

**E-29**

TOOL

**H 1**

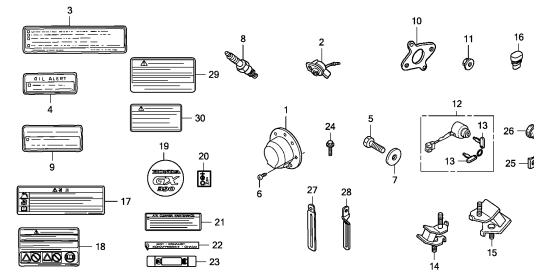


Z10CE2900

**E-40**

OTHER PARTS(1)

**H 2**



Z10CE4000

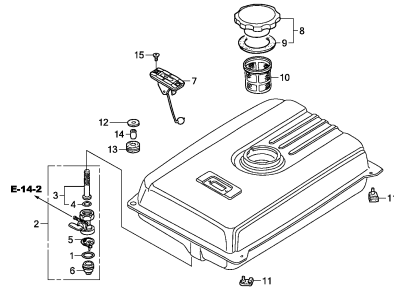
# ENGINE GROUP

C15

E-40-1

H 4

OTHER PARTS(2)(FUEL COCK)

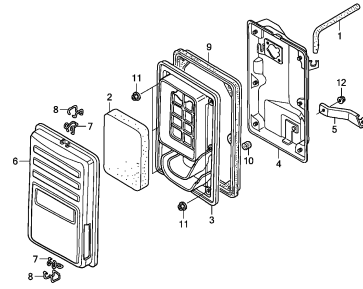


Z1C0E4001

E-40-2

H 5

OTHER PARTS(3)(AIR CLEANER)

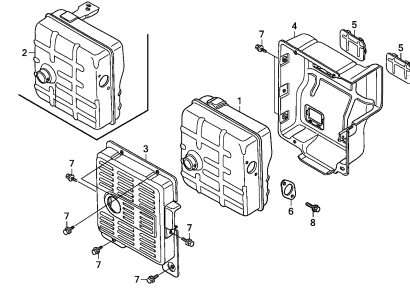


Z1C0E4002

E-40-3

H 6

OTHER PARTS(4)(MUFFLER)

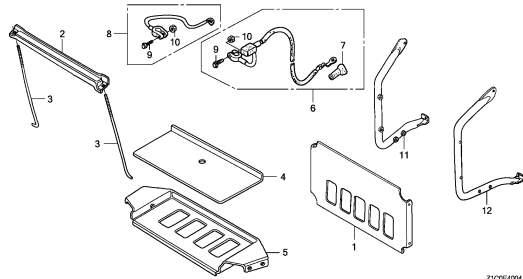


Z1C0E4003

E-40-4

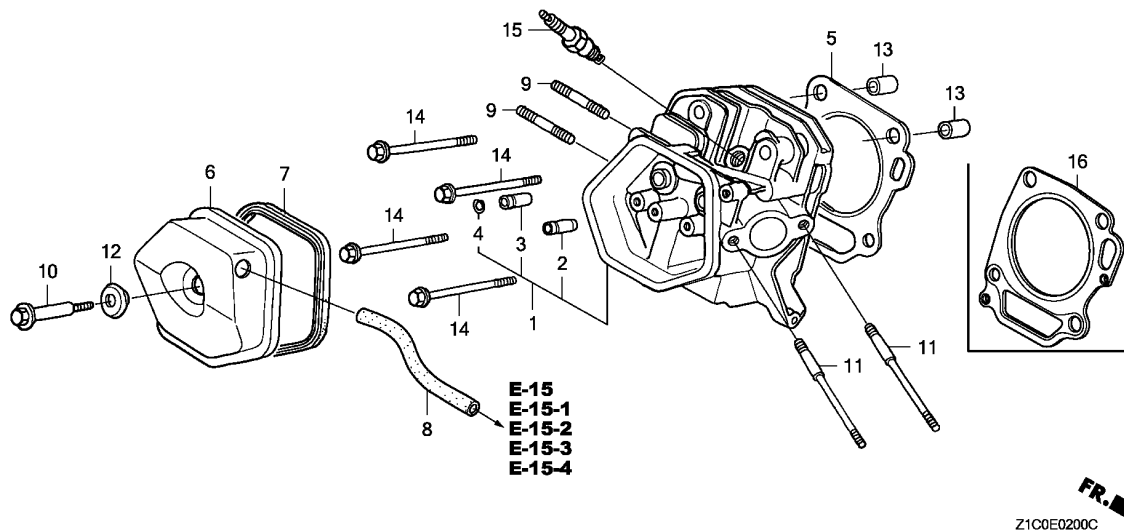
H 7

OTHER PARTS(5)(BATTERY TRAY)



Z1C0E4004

2



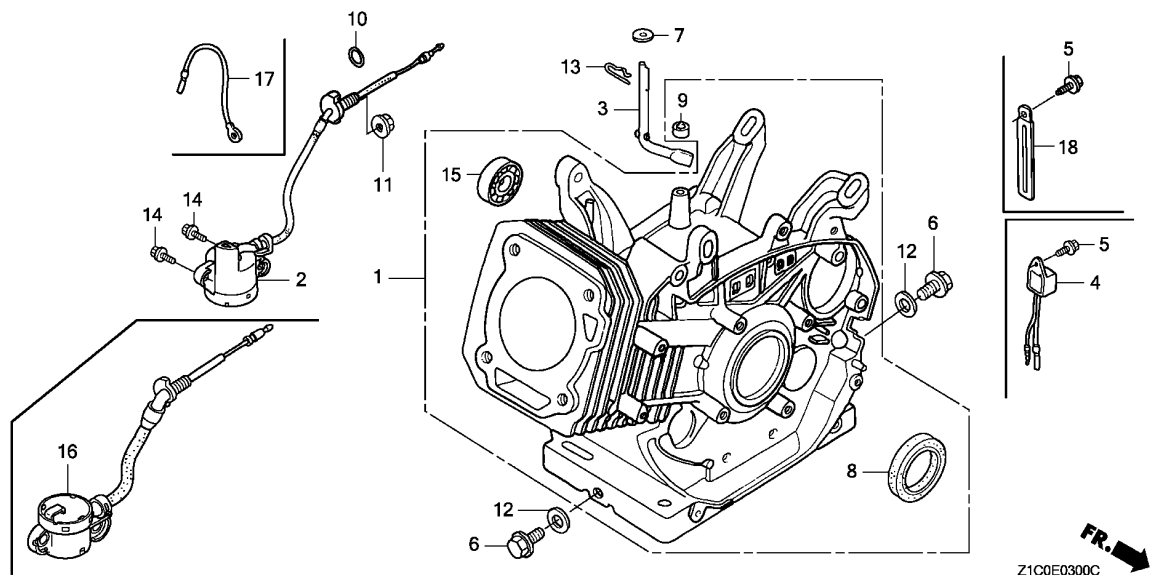
Ref. No.	L.O.N.	(Relative ref. Number) Description	F.R.T.
1	1111N3	HEAD, CYLINDER ..... .INCLUDES: Valve clearance adjustment and reface	0.9
2	1111E9	GUIDE, INTAKE VALVE ..... .INCLUDES: Valve clearance adjustment	0.8
	1111E9E	.Replace intake and exhaust all add .....	0.2
3	1111E8	GUIDE, EXHAUST VALVE ..... .INCLUDES: Valve clearance adjustment	0.8
	1111E8E	.Replace intake and exhaust all add .....	0.2
5		(16)	
	1111N4	GASKET, CYLINDER HEAD .....	0.5
6		(7)	
	1111D5	COVER, CYLINDER HEAD AND/OR PACKING, HEAD COVER .....	0.1
8	1111K5	TUBE, BREATHER .....	0.1
15	6141C1	PLUG, SPARK .....	0.1

Z1C0E0200C

Ref. No.	Part No.	Description	Reqd. QTY		Serial No.	Parts catalogue code
			GX 390 T1	GX 390 T2		
1	12200-Z1C-406	HEAD COMP., CYLINDER .....	1	-		
			-	1	-----	ES2,LH,LHB5,LHP1,LH2,LXE9,PX,QBE1,QH,QHB1,QHB3,QHB5,QMH,QN,QP,QTD,QX,QXE,QXEK,QXK,SH,SWE2,SWX,SWX2,SX,SXC,VMQ3,VMT,VMT2,VMT3,VS3,VS4,VS4,VS6,VTE5,VX,VXE,VXK,VXU1
	12210-Z5T-406	.....	-	1	-----	QAPW,QHP1,VSP
2	12204-ZE2-306	GUIDE, IN. VALVE (OS) .....	1	1		
3	12205-ZE2-305	GUIDE, EX. VALVE (OS) .....	1	1		
4	12216-ZE2-300	CLIP, VALVE GUIDE .....	1	1		
5	12251-ZF6-W00	GASKET, CYLINDER HEAD .....	1	-	-----	LXE8,LXE9,LXU,PXE8,PXU,QAA2,QAA6,QA2,QA26,QXEK,QXE8,QXK,QXQ4,QXU,SXE8,SXQ4,VXE8,VXK,VX8
			1	-	1337116	LH,LHB5,LHP1,LP,LT,PX,QH,QHB3,QHB5,QHP1,QMH,QP,QT,QX,QXE,SH,SHE,SN,SWE,SWX,SX,SXC,SXE,VTE5,VX,VXE,VXU1
	12251-Z1C-801	GASKET, CYLINDER HEAD (THAI LEAKLESS) .....	1	1	-----	ES2,ES3,LH2,QBE1,QBLS,QBS,QHB1,QN,QTD,QTN,SWE2,SWX2,VMQ3,VMT,VMT2,VMT3,VS3,VS4,VS4,VS5,VS4,VS6
			1	-	-----	QAPW,VSP
			1	-	1337117	LH,LHB5,LHP1,LP,LT,PX,QH,QHB3,QHB5,QHP1,QMH,QP,QT,QX,QXE,SH,SHE,SN,SWE,SWX,SX,SXC,SXE,VTE5,VX,VXE,VXU1
			-	1	-----	LH,LHB5,LHP1,PX,QH,QHB3,QHB5,QMH,QP,QX,QXE,SH,SWX,SX,SXC,VTE5,VX,VXE,VXU1
	12251-Z5T-003	GASKET, CYLINDER HEAD .....	-	1	-----	QAPW,QHP1,VSP
	12251-ZF6-W01	.....	-	1	-----	LXE9,QXEK,QXK,VXK
6	12310-ZE2-020	COVER COMP., HEAD .....	1	1	-----	ES2,ES3,LH,LHB5,LHP1,LH2,LP,LT,LXE8,LXE9,LXU,PX,PXE8,PXU,QAA2,QAA6,QA2,QA26,QBE1,QH,QHB1,QHB3,QHB5,QMH,QN,QP,QT,QTD,QTN,QX,QXE,QXEK,QXE8,QXK,QXQ4,QXU,SH,SHE,SN,SWE,SWE2,SWX,SWX2,SX,SXC,SXE,SXE8,SXQ4,VMQ3,VMT,VMT2,VMT3,VS3,VS4,VS4,VS5,VS4,VS6,VTE5,VX,VXE,VXE8,VXK,VXU1,VX8
			1	-	-----	QAPW,QHP1,VSP
	12310-Z1C-800	COVER, CYLINDER HEAD .....	1	-	-----	LBHB,QBH,QBHS,QBLS,QBS

Ref. No.	Part No.	Description	Reqd. QTY		Serial No.	Parts catalogue code
			GX 390 T1	GX 390 T2		
(6)	12310-Z5T-000	COVER, CYLINDER HEAD .....	-	1	-----	QAPW,QHP1,VSP
7	12391-ZE2-020	PACKING, HEAD COVER .....	1	1	-----	
8	15721-ZE3-H00	TUBE, BREATHER .....	1	-	-----	LP
	95005-11105-30	TUBE, 11X105(95005-11001-30M)	1	1	-----	LBHB,LH,LHB5,LHP1,LH2,LT,LXE8,LXE9,LXU,PX,PXE8,PXU,QAA2,QAA6,QA2,QA26,QBE1,QBH,QBHS,QBLS,QBS,QH,QHB1,QHB3,QHB5,QMH,QN,QP,QT,QTD,QTN,QX,QXE,QXEK,QXE8,QXK,QXQ4,QXU,SH,SHE,SN,SWE,SWE2,SWX,SWX2,SX,SXC,SXE,SXE8,SXQ4,VTE5,VX,VXE,VXE8,VXK,VXU1,VX8
	12357-Z5T-000	TUBE, BREATHER .....	1	-	-----	QAPW,QHP1,VSP
9	90012-KM9-000	BOLT, STUD, 8X34 .....	2	-	-----	QAPW,QHP1,VSP
	92900-08032-0E	BOLT, STUD, 8X32 .....	2	-	-----	LP
						ES2,ES3,LH,LHB5,LHP1,LH2,LT,LXE8,LXE9,LXU,PX,PXE8,PXU,QAA2,QAA6,QAPW,QA2,QA26,QBE1,QH,QHB1,QHB3,QHB5,QHP1,QMH,QN,QP,QT,QTD,QTN,QX,QXE,QXEK,QXE8,QXK,QXQ4,QXU,SH,SHE,SN,SWE,SWE2,SWX,SWX2,SX,SXC,SXE,SXE8,SXQ4,VMQ3,VMT2,VMT3,VS4,VS6,VTE5,VX,VXE,VXE8,VXK,VXU1,VX8
	92900-08050-0B	BOLT, STUD, 8X50 .....	-	2	-----	
10	90014-ZE2-000	BOLT, HEAD COVER .....	2	-	-----	LBHB,QBH,QBHS,QBLS,QBS
			1	1	-----	ES2,ES3,LH,LHB5,LHP1,LH2,LP,LT,LXE8,LXE9,LXU,PX,PXE8,PXU,QAA2,QAA6,QA2,QA26,QBE1,QH,QHB1,QHB3,QHB5,QHP1,QMH,QN,QP,QT,QTD,QTN,QX,QXE,QXEK,QXK,QXQ4,QXU,SH,SHE,SN,SWE,SWE2,SWX,SWX2,SX,SXC,SXE,SXE8,SXQ4,VMQ3,VMT,VMT2,VMT3,VS3,VS4,VS5,VS6,VTE5,VX,VXE,VXE8,VXK,VXU1,VX8
	90014-Z1C-800	.....	1	-	-----	QAPW,QHP1,VSP
	90014-Z5T-000	.....	-	1	-----	LBHB,QBH,QBHS,QBLS,QBS
						QAPW,QHP1,VSP
11	90042-ZE3-700	BOLT, STUD, 8X106 .....	2	2	-----	ES2,ES3,LP,VMQ3,VMT,VMT2,VMT3,VS3,VS4,VS5,VS4,VS6
	90042-ZE8-000	BOLT, STUD, 8X131.5 .....	2	2	-----	LBHB,LH,LHB5,LHP1,LH2,LT,LXE8,LXE9,LXU,PX,PXE8,PXU,QAA2,QAA6,QAPW,QA2,QA26,QBE1,QBH,QBHS,QBLS,QBS,QH,QHB1,QHB3,QHB5,QHP1,QMH,QN,QP,QT,QTD,QTN,QX,QXE,QXEK,QXE8,QXK,QXQ4,QXU,SH,SHE,SN,SWE,SWE2,SWX,SWX2,SX,SXC,SXE,SXE8,SXQ4,VMQ3,VMT,VMT2,VMT3,VS3,VS4,VS5,VS6,VTE5,VX,VXE,VXE8,VXK,VXU1,VX8
12	90441-ZE2-010	WASHER COMP., HEAD COVER ....	1	-	-----	ES2,ES3,LH,LHB5,LHP1,LH2,LP,LT,LXE8,LXE9,LXU,PX,PXE8,PXU,QAA2,QAA6,QAPW,QA2,QA26,QBE1,QH,QHB1,QHB3,QHB5,QHP1,QMH,QN,QP,QT,QTD,QTN,QX,QXE,QXEK,QXE8,QXK,QXQ4,QXU,SH,SHE,SN,SWE,SWE2,SWX,SWX2,SX,SXC,SXE,SXE8,SXQ4,VMQ3,VMT2,VMT3,VS4,VS5,VS6,VTE5,VX,VXE,VXE8,VXK,VXU1,VX8
	90441-Z1C-800	.....	-	1	-----	
13	94301-12200	DOWEL PIN, 12X20 .....	1	1	-----	LBHB,QBH,QBHS,QBLS,QBS
14	95701-10080-00	BOLT, FLANGE, 10X80 .....	2	2	-----	
			4	-	-----	ES2,ES3,LH,LHB5,LHP1,LH2,LP,LT,LXE8,LXE9,LXU,PX,PXE8,PXU,QAA2,QAA6,QAPW,QA2,QA26,QBE1,QH,QHB1,QHB3,QHB5,QHP1,QMH,QN,QP,QT,QTD,QTN,QX,QXE,QXEK,QXE8,QXK,QXQ4,QXU,SH,SHE,SN,SWE,SWE2,SWX,SWX2,SX,SXC,SXE,SXE8,SXQ4,VMQ3,VMT2,VMT3,VS4,VS5,VS6,VTE5,VX,VXE,VXE8,VXK,VXU1,VX8
	90102-Z1C-800	.....	-	4	-----	
15	98079-55841	PLUG, SPARK (BP5ES) (NGK) ....	4	-	-----	LBHB,QBH,QBHS,QBLS,QBS
	98079-55876	PLUG, SPARK (BPR5ES) .....	1	1	-----	VS3,VS4,VS5
			(1)	(1)	-----	LBHB,LP,LT,QBH,QBHS,QBLS,QBS,QN,QT,QTD,QTN
			1	1	-----	ES2,ES3,VMQ3,VMT,VMT2,VMT3,VS4,VS6
			(1)	(1)	-----	LH,LHB5,LHP1,LH2,LXE8,LXE9,LXU,PX,PXE8,PXU,QAA2,QAA6,QAPW,QA2,QA26,QBE1,QH,QHB1,QHB3,QHB5,QHP1,QMH,QP,QX,QXE,QXEK,QXE8,QXK,QXQ4,QXU,SH,SHE,SN,SWE,SWE2,SWX,SWX2,SX,SXC,SXE,SXE8,SXQ4,VSP,VTE5,VX,VXE,VXE8,VXK,VXU1,VX8
	98079-56871	PLUG, SPARK (BP6ES) .....	1	1	-----	LBHB,LP,LT,QBH,QBHS,QBLS,QBS,QN,QT,QTD,QTN,SN
	98079-56876	PLUG, SPARK (BPR6ES) .....	1	1	-----	LH,LHB5,LHP1,LH2,LXE8,LXE9,LXU,PX,PXE8,PXU,QAA2,QAA6,QAPW,QA2,QA26,QBE1,QH,QHB1,QHB3,QHB5,QHP1,QMH,QP,QX,QXE,QXEK,QXE8,QXK,QXQ4,QXU,SH,SHE,SN,SWE,SWE2,SWX,SWX2,SX,SXC,SXE,SXE8,SXQ4,VSP,VTE5,VX,VXE,VXE8,VXK,VXU1,VX8
	98079-55854	PLUG, SPARK (W16EP-U) (DENSO)	1	1	-----	VS3,VS4,VS5
	98079-55855	PLUG, SPARK (W16EPR-U) (DENSO)	1	1	-----	ES2,ES3,VMQ3,VMT,VMT2,VMT3,VS4,VS6
16	12251-Z1C-811	GASKET, CYLINDER HEAD .....	1	-	-----	LBHB,QBH,QBHS





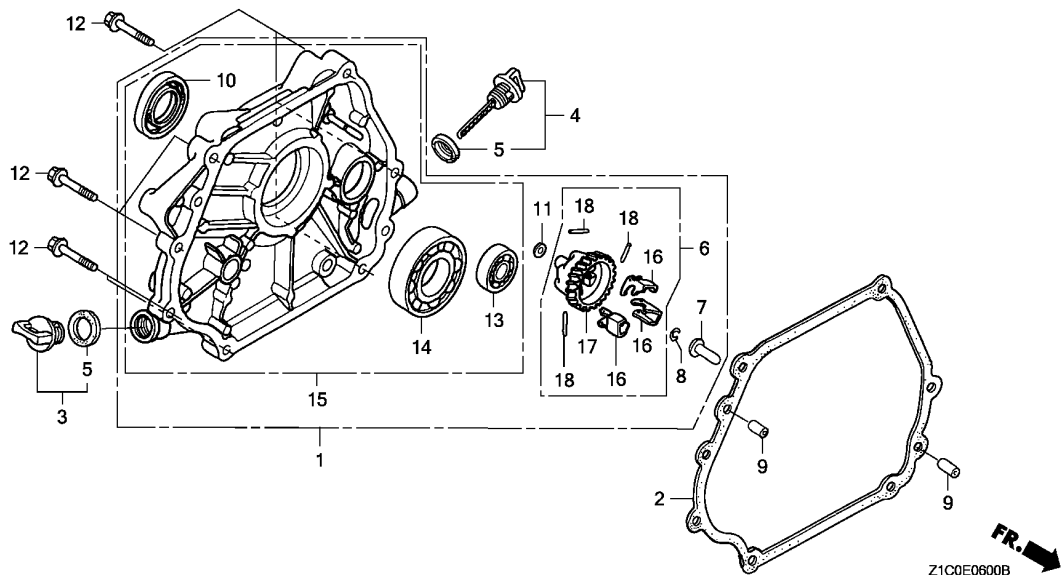
Ref. No.	L.O.N.	(Relative ref. Number) Description	F.R.T.
1	1101A0	BARREL, CYLINDER .....	1.8
2		(10,16)	
	6151E8	SWITCH, OIL LEVEL .....	0.5
	1161B4	SHAFT, GOVERNOR ARM .....	0.9
	6151A0	ALERT UNIT, ENGINE OIL .....	0.1
	1101E4	OIL SEAL, CRANKSHAFT :FRONT ..	1.2
	1101C4	OIL SEAL, GOVERNOR ARM SHAFT ..	0.9
	1101D5	WASHER, DRAIN PLUG .....	0.1
	1101F4	BEARING, BALANCER WEIGHT :FRONT .....	0.5
	6111E5	SUB HARNESS, OIL LEVEL SWITCH	0.1

Z1C0E0300C



Ref. No.	Part No.	Description	Reqd. QTY		Serial No.	Parts catalogue code
			GX 390 T1	GX 390 T2		
1	12000-Z1C-405	BARREL ASSY., CYLINDER .....	1	1	-----	LXE8,PXE8,QXE8,SXE,SXE8,VMT,VMT2,VMT3,VS3,VS5,VS6,VXE8
	12000-Z1C-406	.....	1	1	-----	LXE9,QXE,QXEK,VTE5,VXE,VXK,VXU1
	12000-Z1C-407	.....	1	1	-----	LH,LH2,LT,QBLS,QBS,QHB1,QHB5,QP,QT,QTD,QTN,SN
	12000-Z1C-408	.....	1	1	-----	LHB5,LHP1,QH,QHB3,QHP1,QMH,QN,SH
	12000-Z1C-409	.....	1	1	-----	ES2,ES3,LXU,PXU,QAA2,QAA6,QA2,QA26,QXK,QXQ4,QXU,SWX,SWX2,SXQ4,VMQ3
	12000-Z1C-305	.....	1	1	-----	VS4,VS4,VX8
	12000-Z5T-405	BARREL ASSY., CYLINDER (SELFSTARTER+ALERT)	-	1	-----	PX,QAPW,QX,SX,SXC,VSP,VX
	12000-Z5T-406	.....	-	1	-----	QBE1,SHE,SWE,SWE2
	12000-Z5T-407	.....	-	1	-----	LP
	12000-Z5T-405	.....	-	1	-----	LBHB,QBH,QBHS
2	15510-ZE2-043	SWITCH ASSY., OIL LEVEL .....	1	1	-----	QXE,QXEK,VTE5,VXE,VXK,VXU1
	15510-ZE2-053	.....	1	1	-----	LHB5,LHP1,QH,QHB3,QHP1,QMH,QN,SH
	16541-ZE3-010	SHAFT, GOVERNOR ARM .....	1	1	-----	PX,QAPW,QX,SX,SXC,VSP,VX
	34150-ZH7-003	ALERT UNIT, OIL .....	1	1	-----	LXE8,LXU,PXE8,PXU,QAA2,QAA6,QA2,QA26,QXE8,QXQ4,QXU,SXE8,SXQ4,VXE8,VX8
	34150-ZH7-013	.....	1	1	-----	1337116 PX,QX,QXE,SWX,SX,SXC,SXE,VTE5,VX,VXE,VXU1
			1	1	-----	1340607 LXE9,QXEK,QXK,VXK
			1	1	-----	VMT2,VMT3
			1	1	-----	ES2,ES3,LH,LHB5,LHP1,LH2,LT,LXE8,LXE9,LXU,PX,PXE8,PXU,QAA2,QAA6,QAPW
			1	1	-----	QA2,QA26,QBE1,QBLS,QBS,QH,QHB1,QHB3,QHB5,QHP1,QMH,QN,QP,QT,QTD,QTN,QX
			1	1	-----	QXE,QXEK,QXE8,QXK,QXQ4,QXU,SH,SHE,SN,SWE,SWE2,SWX,SWX2,SX,SXC,SXE
			1	1	-----	SXE8,SXQ4,VMQ3,VMT2,VMT3,VS4,VS5,VS6,VTE5,VX,VXE,VXE8,VXK
			1	1	-----	VXU1,VX8
			-	1	-----	
			1	1	-----	LXU,PX,PXU,QAA2,QAA6,QA2,QA26,QX,QXK,QXQ4,QXU,SWX,SX,SXC,SXQ4,VSP,VX
			1	1	-----	VX8
			1	1	-----	ES2,ES3,QBLS,QBS,SWX2,VMQ3,VS3,VS4,VS5,VS4,VS6
			1	1	-----	QAPW
			-	1	-----	PX,QX,QXK,SWX,SX,SXC,VX

Ref. No.	Part No.	Description	Reqd. QTY		Serial No.	Parts catalogue code
			GX 390 T1	GX 390 T2		
5	90013-883-000	BOLT, FLANGE, 6X12(CT200) ...	1	1	-----	ES2,ES3,LXU,PX,PXU,QAA2,QAA6,QA2,QA26,QX,QXK,QXQ4,QXU,SWX,SWX2,SX,SXC SXQ4,VMQ3,VS4,VS4,VX,VX8
			1	-	-----	QAPW,VSP
	90013-Z0T-810	.....	2	2	-----	VSB3,VSB5,VS6
			1	-	-----	QBLS,QBS
6	90131-883-000	BOLT, DRAIN PLUG, 12X15 .....	2	2	-----	
7	90446-KE1-000	WASHER, 8.2X17X0.8 .....	1	-	-----	ES2,ES3,LH,LHB5,LHP1,LH2,LT,LXE8,LXE9,LXU,PX,PXE8,PXU,QAA2,QAA6,QAPW QA2,QA26,QBE1,QBLS,QBS,QH,QHB1,QHB3,QHB5,QHP1,QMH,QN,QP,QT,QTD,QTN,QX QXE,QXEK,QXE8,QXK,QXQ4,QXU,SH,SHE,SN,SWE,SWE2,SWX,SWX2,SX,SXC,SXE SXE8,SXQ4,VMQ3,VMT2,VMT3,VS4,VS4,VS6,VTE5,VX,VXE,VXE8,VXK VXU1,VX8
8	91201-Z1C-003	OIL SEAL, 35X52X8 .....	-	1	-----	
			1	-	-----	ES2,LH,LHB5,LHP1,LH2,LXE9,PX,QAPW,QBE1,QH,QHB1,QHB3,QHB5,QHP1,QMH,QN QP,QTD,QX,QXE,QXEK,QXK,SH,SWE2,SWX,SWX2,SX,SXC,VMQ3,VS4,VSP,VS4,VTE5 VX,VXE,VXK,VXU1
	91201-ZE3-004	.....	-	1	-----	VMT,VMT2,VMT3,VS3,VS6
9	91203-952-771	OIL SEAL, 8X14X5 .....	1	-	-----	ES2,ES3,LH,LHB5,LHP1,LH2,LT,LXE8,LXE9,LXU,PX,PXE8,PXU,QAA2,QAA6,QAPW QA2,QA26,QBE1,QBLS,QBS,QH,QHB1,QHB3,QHB5,QHP1,QMH,QN,QP,QT,QTD,QTN,QX QXE,QXEK,QXE8,QXK,QXQ4,QXU,SH,SHE,SN,SWE,SWE2,SWX,SWX2,SX,SXC,SXE SXE8,SXQ4,VMQ3,VMT2,VMT3,VS4,VS4,VS6,VTE5,VX,VXE,VXE8,VXK VXU1,VX8
10	91353-671-004	O-RING, 14MM(NOK) .....	-	1	-----	
			1	1	-----	ES2,ES3,LXE8,LXE9,LXU,PX,PXE8,PXU,QAA2,QAA6,QAPW,QA2,QA26,QX,QXE,QXEK QXE8,QXK,QXQ4,QXU,SWX,SWX2,SX,SXC,SXE,SXE8,SXQ4,VMQ3,VMT,VMT2,VMT3 VSB3,VS4,VS5,VSP,VS4,VS6,VTE5,VX,VXE,VXE8,VXK,VXU1,VX8
11	94050-10000	NUT, FLANGE, 10MM .....	1	1	-----	ES2,ES3,LXE8,LXE9,LXU,PX,PXE8,PXU,QAA2,QAA6,QAPW,QA2,QA26,QX,QXE,QXEK QXE8,QXK,QXQ4,QXU,SWX,SWX2,SX,SXC,SXE,SXE8,SXQ4,VMQ3,VMT,VMT2,VMT3 VSB3,VS4,VS5,VSP,VS4,VS6,VTE5,VX,VXE,VXE8,VXK,VXU1,VX8
12	94109-12000	WASHER, DRAIN PLUG, 12MM .....	2	2	-----	
13	94251-10000	PIN, LOCK, 10MM .....	1	-	-----	ES2,ES3,LH,LHB5,LHP1,LH2,LT,LXE8,LXE9,LXU,PX,PXE8,PXU,QAA2,QAA6,QAPW QA2,QA26,QBE1,QBLS,QBS,QH,QHB1,QHB3,QHB5,QHP1,QMH,QN,QP,QT,QTD,QTN,QX QXE,QXEK,QXE8,QXK,QXQ4,QXU,SH,SHE,SN,SWE,SWE2,SWX,SWX2,SX,SXC,SXE SXE8,SXQ4,VMQ3,VMT2,VMT3,VS4,VS4,VS6,VTE5,VX,VXE,VXE8,VXK VXU1,VX8
14	95701-06012-00	BOLT, FLANGE, 6X12 .....	-	1	-----	
			2	2	-----	ES2,ES3,LXE8,LXE9,LXU,PX,PXE8,PXU,QAA2,QAA6,QAPW,QA2,QA26,QX,QXE,QXEK QXE8,QXK,QXQ4,QXU,SWX,SWX2,SX,SXC,SXE,SXE8,SXQ4,VMQ3,VMT,VMT2,VMT3 VSB3,VS4,VS5,VSP,VS4,VS6,VTE5,VX,VXE,VXE8,VXK,VXU1,VX8
15	96100-62020-00	BEARING, RADIAL BALL, 6202 ..	1	1	-----	
16	35480-ZF6-003	SWITCH ASSY., OIL LEVEL .....	1	1	-----	ES2,ES3,QAPW,SWX2,VMQ3,VMT,VS3,VS4,VS5,VSP,VS4,VS6
			1	-	1337117	PX,QX,QXE,SWX,SX,SXC,SXE,VTE5,VX,VXE,VXU1
			1	-	1340608	LXE9,QXEK,QXK,VXK
			-	1	-----	LXE9,PX,QX,QXE,QXEK,QXK,SWX,SX,SXC,VTE5,VX,VXE,VXK,VXU1
17	31161-ZE2-000	CORD, EARTH .....	1	1	-----	ES2,ES3,VS3,VS4,VS5,VS6
18	91406-166-000	CLIP, WIRE .....	1	1	-----	VS3,VS5,VS6



Ref. No.	L.O.N.	(Relative ref. Number) Description	F.R.T.
1	1101P6	COVER ASSEMBLY, CRANKCASE	0.2
2	1101E9	PACKING, CRANKCASE COVER	0.2
6	1161C4	GOVERNOR ASSEMBLY	0.3
7	1161B6	SLIDER, GOVERNOR	0.3
10	1101E5	OIL SEAL, CRANKSHAFT :REAR	0.3
13	1101F5	BEARING, BALANCER WEIGHT :REAR	0.3
14	1101A6	BEARING, CRANKSHAFT :REAR	0.3
15	1101F1	COVER, CRANKCASE	0.3
17		(16,18)	
	1161A7	HOLDER, GOVERNOR WEIGHT	0.3

Ref. No.	Part No.	Description	Reqd. QTY		Serial No.	Parts catalogue code
			GX 390 T1	GX 390 T2		
1	11300-Z1C-000	COVER ASSY., CRANKCASE	1	1	-----	SH,SHE,SN,SWE,SWE2,SWX,SWX2,SX,SXC,SXE,SXE8,SXQ4
	11300-Z1C-600	.....	1	1	-----	PX,PXE8,PXU,QAA2,QAA6,QAPW,QA2,QA26,QBE1,QBLS,QBS,QH,QHB1,QHB3,QHB5,QHP1,QMH,QN,QP,QT,QTD,QTN,QX,QXE,QXEK,QXE8,QXK,QXQ4,QXU,VMQ3,VSB3,VSB4,VSB5,VSP,VTE5,VX,VXE,VXE8,VXK,VXU1,VX8
	11300-Z8W-800	COVER ASSY., CRANKCASE (S-TYPE)	1	1	-----	VS4,VS6
2	11381-ZE3-801	PACKING, CASE COVER	1	1	-----	PX,PXE8,PXU,QAA2,QAA6,QA2,QA26,QBE1,QBH,QBHS,QBLS,QBS,QH,QHB1,QHB3,QHB5,QMH,QN,QP,QT,QTD,QTN,QX,QXE,QXEK,QXE8,QXK,QXQ4,QXU,SH,SHE,SN,SWE,SWE2,SWX,SWX2,SX,SXC,SXE,SXE8,SXQ4,VMQ3,VSB3,VSB4,VSB5,VS4,VS6,VTE5,VX,VXE,VXE8,VXK,VXU1,VX8
	11381-Z5T-000	PACKING, CRANKCASE COVER	1	-	-----	QAPW,QHP1,VSP
3	15600-Z0T-820	CAP ASSY., OIL FILLER	-	1	-----	QAPW,QHP1,VSP
	15600-Z1C-000	CAP ASSY., OIL FILLER	1	1	-----	PX,PXE8,PXU,QAA2,QAA6,QAPW,QA2,QA26,QBE1,QBH,QBHS,QBLS,QBS,QH,QHB1,QHB3,QHB5,QHP1,QMH,QN,QP,QT,QTD,QTN,QX,QXE,QXEK,QXE8,QXK,QXQ4,QXU,SH,SHE,SN,SWE,SWE2,SWX,SWX2,SX,SXC,SXE,SXE8,SXQ4,VMQ3,VSB3,VSB4,VSB5,VSP,VS4,VS6,VTE5,VX,VXE,VXE8,VXK,VXU1,VX8
	15625-Z0T-800	PACKING, OIL FILLER CAP	1	1	-----	PX,PXE8,PXU,QAA2,QAA6,QAPW,QA2,QA26,QBE1,QBH,QBHS,QBLS,QBS,QH,QHB1,QHB3,QHB5,QHP1,QMH,QN,QP,QT,QTD,QTN,QX,QXE,QXEK,QXE8,QXK,QXQ4,QXU,SH,SHE,SN,SWE,SWE2,SWX,SWX2,SX,SXC,SXE,SXE8,SXQ4,VMQ3,VSB3,VSB4,VSB5,VSP,VS4,VS6,VTE5,VX,VXE,VXE8,VXK,VXU1,VX8
	16510-ZE3-000	GOVERNOR ASSY.	1	1	-----	PX,PXE8,PXU,QAA2,QAA6,QAPW,QA2,QA26,QBE1,QBLS,QBS,QH,QHB1,QHB3,QHB5,QHP1,QMH,QN,QP,QT,QTD,QTN,QX,QXE,QXEK,QXE8,QXK,QXQ4,QXU,SH,SHE,SN,SWE,SWE2,SWX,SWX2,SX,SXC,SXE,SXE8,SXQ4,VMQ3,VSB3,VSB4,VSB5,VSP,VS4,VS6,VTE5,VX,VXE,VXE8,VXK,VXU1,VX8

Ref. No.	Part No.	Description	Reqd. QTY		Serial No.	Parts catalogue code
			GX 390 T1	GX 390 T2		
7	16531-Z0A-000	SLIDER, GOVERNOR .....	1	1	-----	PX,PXE8,PXU,AAA2,AAA6,QAPW,QA2,QA26,QBE1,QBLS,QBS,QH,QHB1,QHB3,QHB5,QHP1,QMH,QN,QP,QT,QTD,QTN,QX,QXE,QXEK,QXE8,QXK,QXQ4,QXU,SH,SHE,SN,SWE,SWE2,SWX,SWX2,SX,SXC,SXE,SXE8,SXQ4,VMQ3,VS3,VS4,VS5,VS6,VTE5,VX,VXE,VXE8,VXK,VXU1,VX8
8	90602-ZE1-000	CLIP, GOVERNOR HOLDER .....	1	1	-----	PX,PXE8,PXU,AAA2,AAA6,QAPW,QA2,QA26,QBE1,QBLS,QBS,QH,QHB1,QHB3,QHB5,QHP1,QMH,QN,QP,QT,QTD,QTN,QX,QXE,QXEK,QXE8,QXK,QXQ4,QXU,SH,SHE,SN,SWE,SWE2,SWX,SWX2,SX,SXC,SXE,SXE8,SXQ4,VMQ3,VS3,VS4,VS5,VS6,VTE5,VX,VXE,VXE8,VXK,VXU1,VX8
9	90701-HC4-000	DOWEL PIN, 8X12 .....	2	2	-----	PX,PXE8,PXU,AAA2,AAA6,QAPW,QA2,QA26,QBE1,QBH,QBHS,QBLS,QBS,QH,QHB1,QHB3,QHB5,QHP1,QMH,QN,QP,QT,QTD,QTN,QX,QXE,QXEK,QXE8,QXK,QXQ4,QXU,SH,SHE,SN,SWE,SWE2,SWX,SWX2,SX,SXC,SXE,SXE8,SXQ4,VMQ3,VS3,VS4,VS5,VS6,VTE5,VX,VXE,VXE8,VXK,VXU1,VX8
10	91201-Z1C-003	OIL SEAL, 35X52X8 .....	1	1	-----	PX,PXE8,PXU,AAA2,AAA6,QAPW,QA2,QA26,QBE1,QBH,QBHS,QBLS,QBS,QH,QHB1,QHB3,QHB5,QHP1,QMH,QN,QP,QT,QTD,QTN,QX,QXE,QXEK,QXE8,QXK,QXQ4,QXU,SH,SHE,SN,SWE,SWE2,SWX,SWX2,SX,SXC,SXE,SXE8,SXQ4,VMQ3,VS3,VS4,VS5,VS6,VTE5,VX,VXE,VXE8,VXK,VXU1,VX8
11	94101-06800	WASHER, PLAIN, 6MM .....	1	1	-----	PX,PXE8,PXU,AAA2,AAA6,QAPW,QA2,QA26,QBE1,QBLS,QBS,QH,QHB1,QHB3,QHB5,QHP1,QMH,QN,QP,QT,QTD,QTN,QX,QXE,QXEK,QXE8,QXK,QXQ4,QXU,SH,SHE,SN,SWE,SWE2,SWX,SWX2,SX,SXC,SXE,SXE8,SXQ4,VMQ3,VS3,VS4,VS5,VS6,VTE5,VX,VXE,VXE8,VXK,VXU1,VX8
12	95701-08040-00	BOLT, FLANGE, 8X40 .....	7	7	-----	PX,PXE8,PXU,AAA2,AAA6,QAPW,QA2,QA26,QBE1,QBH,QBHS,QBLS,QBS,QH,QHB1,QHB3,QHB5,QHP1,QMH,QN,QP,QT,QTD,QTN,QX,QXE,QXEK,QXE8,QXK,QXQ4,QXU,SH,SHE,SN,SWE,SWE2,SWX,SWX2,SX,SXC,SXE,SXE8,SXQ4,VMQ3,VS3,VS4,VS5,VS6,VTE5,VX,VXE,VXE8,VXK,VXU1,VX8
13	96100-62020-00	BEARING, RADIAL BALL, 6202 ..	1	1	-----	PX,PXE8,PXU,AAA2,AAA6,QAPW,QA2,QA26,QBE1,QBH,QBHS,QBLS,QBS,QH,QHB1,QHB3,QHB5,QHP1,QMH,QN,QP,QT,QTD,QTN,QX,QXE,QXEK,QXE8,QXK,QXQ4,QXU,SH,SHE,SN,SWE,SWE2,SWX,SWX2,SX,SXC,SXE,SXE8,SXQ4,VMQ3,VS3,VS4,VS5,VS6,VTE5,VX,VXE,VXE8,VXK,VXU1,VX8
14	96100-62070-00	BEARING, RADIAL BALL, 6207 ..	1	1	-----	PX,PXE8,PXU,AAA2,AAA6,QAPW,QA2,QA26,QBE1,QBH,QBHS,QBLS,QBS,QH,QHB1,QHB3,QHB5,QHP1,QMH,QN,QP,QT,QTD,QTN,QX,QXE,QXEK,QXE8,QXK,QXQ4,QXU,SH,SHE,SN,SWE,SWE2,SWX,SWX2,SX,SXC,SXE,SXE8,SXQ4,VMQ3,VS3,VS4,VS5,VS6,VTE5,VX,VXE,VXE8,VXK,VXU1,VX8
15	11300-Z1C-800	COVER ASSY., CRANKCASE .....	1	-	-----	QBH,QBHS
16	16511-ZE8-000	WEIGHT, GOVERNOR .....	3	3	-----	PX,PXE8,PXU,AAA2,AAA6,QAPW,QA2,QA26,QBE1,QBLS,QBS,QH,QHB1,QHB3,QHB5,QHP1,QMH,QN,QP,QT,QTD,QTN,QX,QXE,QXEK,QXE8,QXK,QXQ4,QXU,SH,SHE,SN,SWE,SWE2,SWX,SWX2,SX,SXC,SXE,SXE8,SXQ4,VMQ3,VS3,VS4,VS5,VS6,VTE5,VX,VXE,VXE8,VXK,VXU1,VX8
17	16512-ZE3-000	HOLDER, GOVERNOR WEIGHT .....	1	1	-----	PX,PXE8,PXU,AAA2,AAA6,QAPW,QA2,QA26,QBE1,QBLS,QBS,QH,QHB1,QHB3,QHB5,QHP1,QMH,QN,QP,QT,QTD,QTN,QX,QXE,QXEK,QXE8,QXK,QXQ4,QXU,SH,SHE,SN,SWE,SWE2,SWX,SWX2,SX,SXC,SXE,SXE8,SXQ4,VMQ3,VS3,VS4,VS5,VS6,VTE5,VX,VXE,VXE8,VXK,VXU1,VX8
18	16513-ZE2-000	PIN, GOVERNOR WEIGHT .....	3	3	-----	PX,PXE8,PXU,AAA2,AAA6,QAPW,QA2,QA26,QBE1,QBLS,QBS,QH,QHB1,QHB3,QHB5,QHP1,QMH,QN,QP,QT,QTD,QTN,QX,QXE,QXEK,QXE8,QXK,QXQ4,QXU,SH,SHE,SN,SWE,SWE2,SWX,SWX2,SX,SXC,SXE,SXE8,SXQ4,VMQ3,VS3,VS4,VS5,VS6,VTE5,VX,VXE,VXE8,VXK,VXU1,VX8

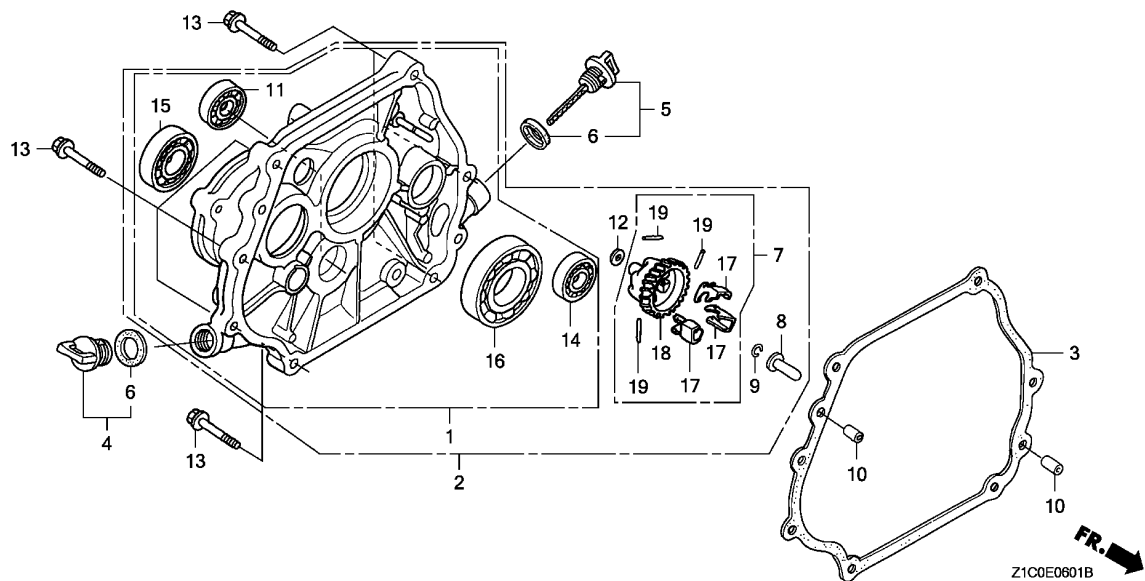




E-6-1

CRANKCASE COVER(2)

D 7



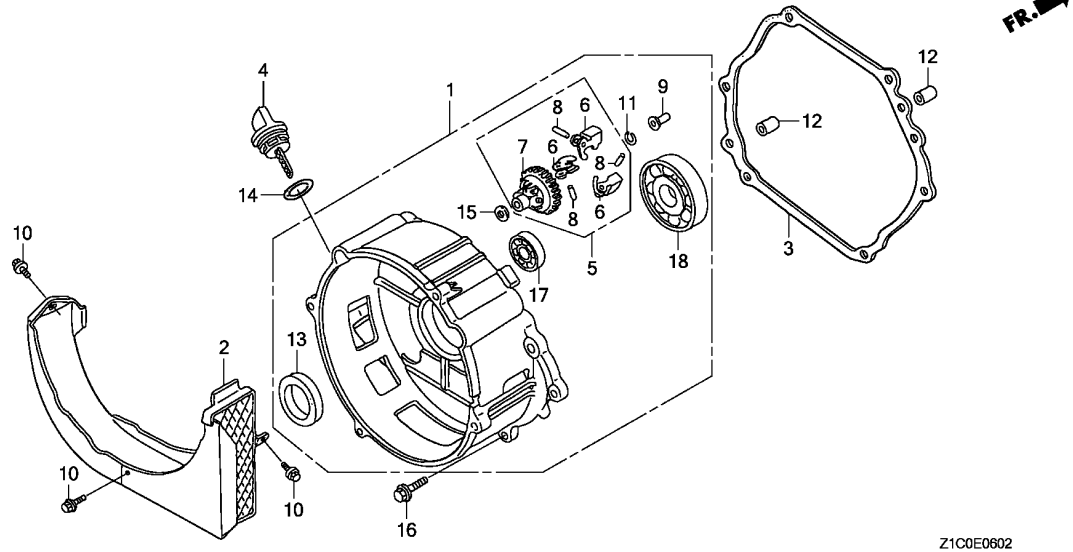
Ref. No.	L.O.N.	(Relative ref. Number) Description	F.R.T.
1	1101G1	COVER, CRANKCASE(B) .....	0.4
2	1101S2	COVER ASSEMBLY, CRANKCASE(A) ..	0.3
3	1101F9	PACKING, CRANKCASE COVER(A) ..	0.3
7	1161C4	GOVERNOR ASSEMBLY .....	0.3
8	1161B6	SLIDER, GOVERNOR .....	0.3
11	2101U3	BEARING, COUNTERSHAFT :FRONT ..	0.4
14	1101G5	BEARING, BALANCER WEIGHT(A) :REAR .....	0.4
15	2141A7	BEARING, POWER TAKE OFF SHAFT :FRONT .....	0.4
16	1101G4	BEARING, CRANKSHAFT(A) :REAR ..	0.4
18		(17,19)	
	1161A7	HOLDER, GOVERNOR WEIGHT .....	0.3

Ref. No.	Part No.	Description	Reqd. QTY		Serial No.	Parts catalogue code
			GX 390 T1	GX 390 T2		
1	11300-ZE3-W00	COVER ASSY., CRANKCASE .....	1	-	-----	LP
	11300-Z1C-810	.....	1	-	-----	LBHB
2	11300-ZE3-614	COVER ASSY., CRANKCASE .....	1	1	-----	LH,LHB5,LHP1,LH2,LT,LXE8,LXE9,LXU
3	11381-ZE3-801	PACKING, CASE COVER .....	1	1	-----	LBHB,LH,LHB5,LHP1,LH2,LP,LT,LXE8,LXE9,LXU
4	15600-Z0T-820	CAP ASSY., OIL FILLER .....	1	1	-----	LBHB,LH,LHB5,LHP1,LH2,LP,LT,LXE8,LXE9,LXU
5	15600-Z1C-000	CAP ASSY., OIL FILLER .....	1	1	-----	LBHB,LH,LHB5,LHP1,LH2,LP,LT,LXE8,LXE9,LXU
6	15625-Z0T-800	PACKING, OIL FILLER CAP .....	2	2	-----	LBHB,LH,LHB5,LHP1,LH2,LP,LT,LXE8,LXE9,LXU
7	16510-ZE3-000	GOVERNOR ASSY. ....	1	1	-----	LH,LHB5,LHP1,LH2,LT,LXE8,LXE9,LXU
8	16531-Z0A-000	SLIDER, GOVERNOR .....	1	1	-----	LH,LHB5,LHP1,LH2,LT,LXE8,LXE9,LXU
9	90602-ZE1-000	CLIP, GOVERNOR HOLDER .....	1	1	-----	LH,LHB5,LHP1,LH2,LT,LXE8,LXE9,LXU
10	90701-HC4-000	DOWEL PIN, 8X12 .....	2	2	-----	LBHB,LH,LHB5,LHP1,LH2,LP,LT,LXE8,LXE9,LXU
11	91009-KJ1-003	BEARING, RADIAL BALL, 6202 (NTN) .....	1	1	-----	LBHB,LH,LHB5,LHP1,LH2,LP,LT,LXE8,LXE9,LXU
12	94101-06800	WASHER, PLAIN, 6MM .....	1	1	-----	LH,LHB5,LHP1,LH2,LT,LXE8,LXE9,LXU
13	95701-08040-00	BOLT, FLANGE, 8X40 .....	7	7	-----	LBHB,LH,LHB5,LHP1,LH2,LP,LT,LXE8,LXE9,LXU
14	96100-62020-00	BEARING, RADIAL BALL, 6202 ..	1	1	-----	LBHB,LH,LHB5,LHP1,LH2,LP,LT,LXE8,LXE9,LXU
15	96100-62040-00	BEARING, RADIAL BALL, 6204 ..	1	1	-----	LBHB,LH,LHB5,LHP1,LH2,LP,LT,LXE8,LXE9,LXU
16	96100-62070-00	BEARING, RADIAL BALL, 6207 ..	1	1	-----	LBHB,LH,LHB5,LHP1,LH2,LP,LT,LXE8,LXE9,LXU
17	16511-ZE8-000	WEIGHT, GOVERNOR .....	3	3	-----	LH,LHB5,LHP1,LH2,LT,LXE8,LXE9,LXU
18	16512-ZE3-000	HOLDER, GOVERNOR WEIGHT .....	1	1	-----	LH,LHB5,LHP1,LH2,LT,LXE8,LXE9,LXU
19	16513-ZE2-000	PIN, GOVERNOR WEIGHT .....	3	3	-----	LH,LHB5,LHP1,LH2,LT,LXE8,LXE9,LXU

E-6-2

CRANKCASE COVER(3)

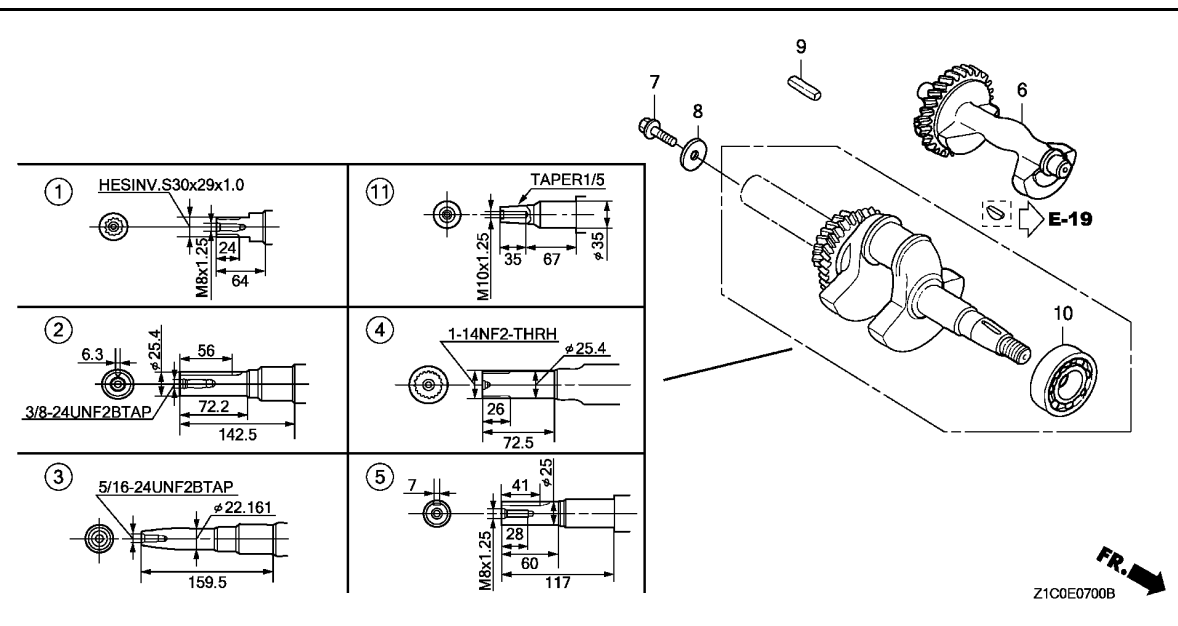
D 8



Ref. No.	L.O.N.	(Relative ref. Number) Description	F.R.T.
1	1101G0	COVER, CRANKCASE(A) .....	0.3
2	4141J5	COVER, DUCT .....	0.1
3	1101F9	PACKING, CRANKCASE COVER(A) ..	0.3
5	1161C4	GOVERNOR ASSEMBLY .....	0.3
7	1161C6	HOLDER, GOVERNOR WEIGHT(A) ...	0.3
9	1161B6	SLIDER, GOVERNOR .....	0.3
17	1101J5	BEARING, BALANCER WEIGHT(B) :REAR .....	0.4
18	1101G4	BEARING, CRANKSHAFT(A) :REAR ..	0.4

Ref. No.	Part No.	Description	Reqd. QTY		Serial No.	Parts catalogue code
			GX 390 T1	GX 390 T2		
1	11300-Z8T-700	COVER ASSY., CRANKCASE (E-TYPE)	1	1	-----	ES2,ES3,VMT,VMT2,VMT3
2	11315-ZE3-700	COVER, DUCT .....	1	1	-----	VMT,VMT2,VMT3
3	11381-ZE3-801	PACKING, CASE COVER .....	1	1	-----	ES2,ES3,VMT,VMT2,VMT3
4	15620-ZE2-700	CAP, OIL FILLER .....	1	1	-----	ES2,ES3,VMT,VMT2,VMT3
5	16510-ZE3-000	GOVERNOR ASSY. ....	1	1	-----	ES2,ES3,VMT,VMT2,VMT3
6	16511-ZE8-000	WEIGHT, GOVERNOR .....	3	3	-----	ES2,ES3,VMT,VMT2,VMT3
7	16512-ZE3-000	HOLDER, GOVERNOR WEIGHT .....	1	1	-----	ES2,ES3,VMT,VMT2,VMT3
8	16513-ZE2-000	PIN, GOVERNOR WEIGHT .....	3	3	-----	ES2,ES3,VMT,VMT2,VMT3
9	16531-Z0A-000	SLIDER, GOVERNOR .....	1	1	-----	ES2,ES3,VMT,VMT2,VMT3
10	90019-883-000	BOLT, FLANGE, 5X10 .....	3	3	-----	VMT,VMT2,VMT3
11	90602-ZE1-000	CLIP, GOVERNOR HOLDER .....	1	1	-----	ES2,ES3,VMT,VMT2,VMT3
12	90701-HC4-000	DOWEL PIN, 8X12 .....	2	2	-----	ES2,ES3,VMT,VMT2,VMT3
13	91201-Z1C-003	OIL SEAL, 35X52X8 .....	1	1	-----	ES2,ES3,VMT,VMT2,VMT3
14	91301-805-000	O-RING, 26X2.7 .....	1	1	-----	ES2,ES3,VMT,VMT2,VMT3
15	94101-06800	WASHER, PLAIN, 6MM .....	1	1	-----	ES2,ES3,VMT,VMT2,VMT3
16	95701-08040-00	BOLT, FLANGE, 8X40 .....	7	7	-----	ES2,ES3,VMT,VMT2,VMT3
17	96100-62020-00	BEARING, RADIAL BALL, 6202 ..	1	1	-----	ES2,ES3,VMT,VMT2,VMT3
18	96100-62070-00	BEARING, RADIAL BALL, 6207 ..	1	1	-----	ES2,ES3,VMT,VMT2,VMT3

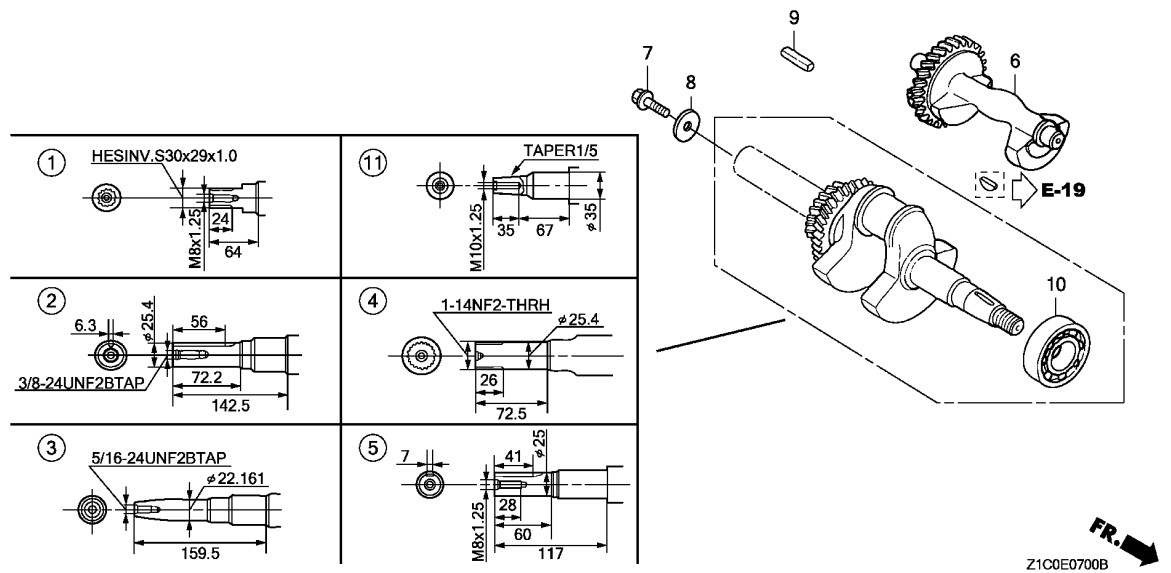
2



Ref. No.	L.O.N.	(Relative ref. Number) Description	F.R.T.
1		(2,3,4,5,11)	
1101F0		CRANKSHAFT .....	1.1
6	1101D8	WEIGHT, BALANCER .....	0.4
10	1101A4	BEARING, CRANKSHAFT :FRONT ...	1.3

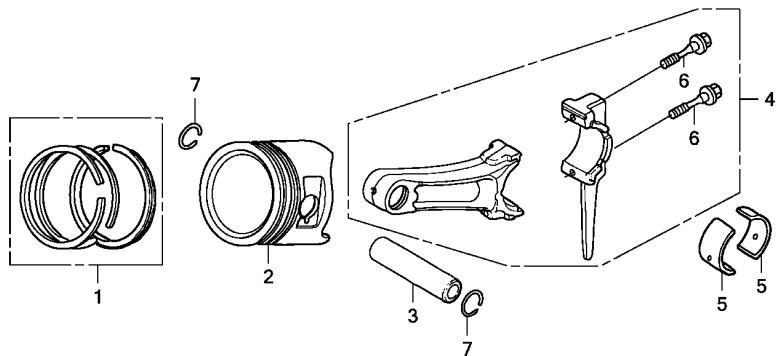
Z1C0E0700B

Ref. No.	Part No.	Description	Reqd. QTY		Serial No.	Parts catalogue code
			GX 390 T1	GX 390 T2		
1	13310-ZF6-W20	CRANKSHAFT COMP. ....	1	-	-----	LH,LHB5,LHP1,LT,LXE8,LXU
	13310-ZF6-Y30	.....	1	-	1234907	LP
	13310-ZF6-Y31	.....	1	-	1234908	1284384 LP
	13310-ZF6-W22	.....	1	1	-----	LBHB,LH2,LXE9
			-	1	-----	LH,LHB5,LHP1
	13310-ZF6-Y32	.....	1	-	1284385	LP
2	13310-Z1C-810	CRANKSHAFT COMP. ....	1	-	1183356	QAA2,QAA6,QA2,QA26,QH,QHB3,QHB5,QHP1,QMH,QP,QT,QX,QXE,QXE8,QXQ4,QXU
	13310-ZF6-W11	.....	1	-	1183357	1331623 QAA2,QAA6,QA2,QA26,QH,QHB3,QHB5,QHP1,QMH,QP,QT,QX,QXE,QXE8,QXQ4,QXU
	13310-ZF6-W12	.....	1	1	-----	QAPW,QBE1,QBH,QBHS,QBLS,QBS,QHB1,QN,QTD,QTN,QXEK,QXK
			1	-	1331624	QAA2,QAA6,QA2,QA26,QH,QHB3,QHB5,QHP1,QMH,QP,QT,QX,QXE,QXE8,QXQ4,QXU
			-	1	-----	QH,QHB3,QHB5,QHP1,QMH,QP,QX,QXE
3	13310-Z1C-840	CRANKSHAFT COMP. ....	1	-	1248887	VTE5,VX,VXE,VXE8,VXU1,VX8
	13310-ZF6-W41	.....	1	-	1248888	1337116 VTE5,VX,VXE,VXE8,VXU1,VX8
	13310-ZF6-W42	.....	1	1	-----	VMQ3,VSB3,VSB4,VSB5,VSP,VS4,VS6,VXK
			1	-	1337117	VTE5,VX,VXE,VXE8,VXU1,VX8
			-	1	-----	VTE5,VX,VXE,VXU1
4	13310-Z1C-860	CRANKSHAFT COMP. ....	1	-	-----	PX,PXE8,PXU
	13310-ZF6-W62	.....	-	1	-----	PX
5	13310-Z1C-870	CRANKSHAFT COMP. ....	1	-	-----	SH,SHE,SN,SWE,SWX,SX,SXC,SXE,SXE8,SXQ4
	13310-ZF6-W72	.....	1	1	-----	SWE2,SWX2
			-	1	-----	SH,SWX,SX,SXC
6	13351-ZE3-010	WEIGHT, BALANCER .....	1	1	-----	-----
7	90107-959-003	BOLT, HEX., 8X25 .....	1	1	-----	LBHB,LH,LHB5,LHP1,LH2,LP,LT,LXE8,LXE9,LXU
8	90473-ZE3-010	WASHER, 8MM .....	1	1	-----	LBHB,LH,LHB5,LHP1,LH2,LP,LT,LXE8,LXE9,LXU
9	90741-805-000	KEY, 7X7X33 .....	1	1	-----	SH,SHE,SN,SWE,SWE2,SWX,SWX2,SX,SXC,SXE,SXE8,SXQ4
	90741-889-810	KEY, 7X7X33(YELLOW)(O/S) .....	(1)	(1)	-----	QHB1,SH,SHE,SN,SWE,SWE2,SWX,SWX2,SX,SXC,SXE,SXE8,SXQ4
	90745-ZE2-600	KEY, 6.3X6.3X43 .....	1	1	-----	QAA2,QAA6,QAPW,QA2,QA26,QBH,QBHS,QBLS,QBS,QH,QHB3,QHB5,QHP1,QMH,QN,QP,QT,QTN,QX,QXE,QXEK,QXE8,QXK,QXQ4,QXU



Ref. No.	Part No.	Description	Reqd. QTY		Serial No.	Parts catalogue code
			GX 390 T1	GX 390 T2		
10	91001-ZF6-003	BEARING, RADIAL BALL, 6207S	1	-	-----	LH,LHB5,LHP1,LT,LXE8,LXU,PX,PXE8,PXU,SH,SHE,SN,SWE,SWX,SX,SXC,SXE SXE8,SXQ4
			1	-	1284384	LP
			1	-	1331623	QAA2,QAA6,QA2,QA26,QH,QHB3,QHB5,QHP1,QMH,QP,QT,QX,QXE,QXE8,QXQ4,QXU
			1	-	1337116	VTE5,VX,VXE,VXE8,VXU1,VX8
	91001-ZF6-013	BEARING, RADIAL BALL, 6207SH	1	-	-----	ES2,ES3,LBHB,LH2,LXE9,QAPW,QBE1,QBH,QBHS,QBLS,QBS,QHB1,QN,QTD,QTN QXEK,QXK,SWE2,SWX2,VMQ3,VMT2,VMT3,VSB4,VSB5,VSP,VS4,VS6,VXK
			1	-	1284385	LP
			1	-	1331624	QAA2,QAA6,QA2,QA26,QH,QHB3,QHB5,QHP1,QMH,QP,QT,QX,QXE,QXE8,QXQ4,QXU
			1	-	1337117	VTE5,VX,VXE,VXE8,VXU1,VX8
			-	1		
11	13310-ZF6-D42	CRANKSHAFT COMP. ....	1	1	-----	ES2,ES3,VMT,VMT2,VMT3

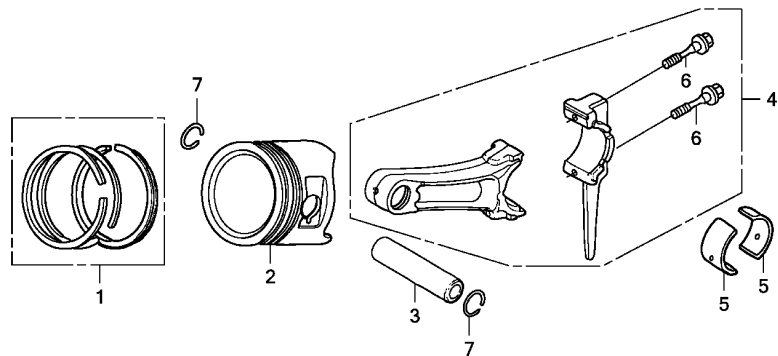




Ref. No.	L.O.N.	(Relative ref. Number) Description	F.R.T.
2		(1,3,4,5)	
1111R1		PISTON AND/OR RING SET AND/OR BEARING AND/OR ROD .....	1.2

Ref. No.	Part No.	Description	Reqd. QTY		Serial No.	Parts catalogue code
			GX 390 T1	GX 390 T2		
1	13010-Z1C-800	RING SET, PISTON (STD.)(RIKEN)	1	-	-----	LXE8,LXU,PXE8,PXU,QAA2,QAA6,QA2,QA26,QXE8,QXQ4,QXU,SXE8,SXQ4,VXE8,VX8
			1	-	1438369	LH,LHB5,LHP1,LP,LT,LXE9,PX,QH,QHB3,QHB5,QHP1,QMH,QX,QXE,QXEK,QXK,SH
			1	-	1450800	QN,QP,QT,QTD,SN
	13011-Z1C-800	RING SET, PISTON (0.25)(RIKEN)	(1)	-	-----	LXE8,LXU,PXE8,PXU,QAA2,QAA6,QA2,QA26,QXE8,QXQ4,QXU,SXE8,SXQ4,VXE8,VX8
			(1)	-	1438369	LH,LHB5,LHP1,LP,LT,LXE9,PX,QH,QHB3,QHB5,QHP1,QMH,QX,QXE,QXEK,QXK,SH
			(1)	-	1450800	QN,QP,QT,QTD,SN
	13012-Z1C-800	RING SET, PISTON (0.50)(RIKEN)	(1)	-	-----	LXE8,LXU,PXE8,PXU,QAA2,QAA6,QA2,QA26,QXE8,QXQ4,QXU,SXE8,SXQ4,VXE8,VX8
			(1)	-	1438369	LH,LHB5,LHP1,LP,LT,LXE9,PX,QH,QHB3,QHB5,QHP1,QMH,QX,QXE,QXEK,QXK,SH
			(1)	-	1450800	QN,QP,QT,QTD,SN
	13013-Z1C-800	RING SET, PISTON (0.75)(RIKEN)	(1)	-	-----	LXE8,LXU,PXE8,PXU,QAA2,QAA6,QA2,QA26,QXE8,QXQ4,QXU,SXE8,SXQ4,VXE8,VX8
			(1)	-	1438369	LH,LHB5,LHP1,LP,LT,LXE9,PX,QH,QHB3,QHB5,QHP1,QMH,QX,QXE,QXEK,QXK,SH
			(1)	-	1450800	QN,QP,QT,QTD,SN
	13010-Z5R-004	RING SET, PISTON (STD.) (TEIKOKU)	1	1	-----	ES3,LBHB,QAPW,QBE1,QBH,QBHS,QBLS,QBS,QHB1,QTN,VMQ3,VMT,VMT3,VSB3,VSB4
			1	-	-----	VSB5,VS4,VS6
			1	-	-----	LH2,SWE2,SWX2
			1	-	1438370	LH,LHB5,LHP1,LP,LT,LXE9,PX,QH,QHB3,QHB5,QHP1,QMH,QX,QXE,QXEK,QXK,SH
			1	-	-----	SHE,SWE,SWX,SX,SXC,SXE,VSP,VTE5,VX,VXE,VXK,VXU1
			1	-	1450801	QN,QP,QT,QTD,SN
			-	1	-----	LH,LHB5,LHP1,LXE9,PX,QH,QHB3,QHB5,QHP1,QMH,QN,QP,QTD,QX,QXE,QXEK,QXK
					-----	SH,SWX,SX,SXC,VSP,VTE5,VX,VXE,VXK,VXU1

Ref. No.	Part No.	Description	Reqd. QTY		Serial No.	Parts catalogue code
			GX 390 T1	GX 390 T2		
(1)	13010-Z5T-003	RING SET, PISTON (STD.) (RIKEN)	1	-	-----	ES2, ES3, LBHB, LH2, QAPW, QBE1, QBH, QBHS, QBL5, QBS, QHB1, QTN, SWE2, SWX2, VMQ3, VMT2, VMT3, VSB4, VSB5, VS4, VS6
			1	-	1438370	LH, LHB5, LHP1, LP, LT, LXE9, PX, QH, QHB3, QHB5, QHP1, QMH, QX, QXE, QXEK, QXK, SH, SHE, SWE, SWX, SX, SXC, SXE, VSP, VTE5, VX, VXE, VXX, VXU1
			1	-	1450801	QN, QP, QT, QTD, SN
13011-Z5R-004	RING SET, PISTON (0.25) (TEIKOKU)	(1)	(1)	-----	ES3, LBHB, QAPW, QBE1, QBH, QBHS, QBL5, QBS, QHB1, QTN, VMQ3, VMT, VMT3, VSB3, VSB4, VSB5, VS4, VS6	
		(1)	-	-----	LH2, SWE2, SWX2	
		(1)	-	1438370	LH, LHB5, LHP1, LP, LT, LXE9, PX, QH, QHB3, QHB5, QHP1, QMH, QX, QXE, QXEK, QXK, SH, SHE, SWE, SWX, SX, SXC, SXE, VSP, VTE5, VX, VXE, VXX, VXU1	
13011-Z5T-003	RING SET, PISTON (0.25) (RIKEN)	(1)	-	-----	QN, QP, QT, QTD, SN	
		(1)	-	1450801	LH, LHB5, LHP1, LXE9, PX, QH, QHB3, QHB5, QHP1, QMH, QN, QP, QTD, QX, QXE, QXEK, QXK, SH, SWX, SX, SXC, VSP, VTE5, VX, VXE, VXX, VXU1	
		(1)	-	1438370	ES2, ES3, LBHB, LH2, QAPW, QBE1, QBH, QBHS, QBL5, QBS, QHB1, QTN, SWE2, SWX2, VMQ3, VMT2, VMT3, VSB4, VSB5, VS4, VS6	
13012-Z5R-004	RING SET, PISTON (0.50) (TEIKOKU)	(1)	(1)	-----	LH, LHB5, LHP1, LP, LT, LXE9, PX, QH, QHB3, QHB5, QHP1, QMH, QX, QXE, QXEK, QXK, SH, SHE, SWE, SWX, SX, SXC, SXE, VSP, VTE5, VX, VXE, VXX, VXU1	
		(1)	-	-----	QN, QP, QT, QTD, SN	
		(1)	-	1438370	LH, LHB5, LHP1, LP, LT, LXE9, PX, QH, QHB3, QHB5, QHP1, QMH, QN, QP, QTD, QX, QXE, QXEK, QXK, SH, SWX, SX, SXC, VSP, VTE5, VX, VXE, VXX, VXU1	
13012-Z5T-003	RING SET, PISTON (0.50) (RIKEN)	(1)	-	-----	QN, QP, QT, QTD, SN	
		(1)	-	1438370	ES2, LBHB, LH2, QAPW, QBE1, QBH, QBHS, QBL5, QBS, QHB1, QTN, SWE2, SWX2, VMT2	
		(1)	-	1450801	LH, LHB5, LHP1, LP, LT, LXE9, PX, QH, QHB3, QHB5, QHP1, QMH, QX, QXE, QXEK, QXK, SH, SHE, SWE, SWX, SX, SXC, SXE, VSP, VTE5, VX, VXE, VXX, VXU1	
13013-Z5R-004	RING SET, PISTON (0.75) (TEIKOKU)	(1)	(1)	-----	QN, QP, QT, QTD, SN	
		(1)	-	-----	LH, LHB5, LHP1, LP, LT, LXE9, PX, QH, QHB3, QHB5, QHP1, QMH, QN, QP, QTD, QX, QXE, QXEK, QXK, SH, SWX, SX, SXC, VSP, VTE5, VX, VXE, VXX, VXU1	
		(1)	-	1438370	ES3, LBHB, QAPW, QBE1, QBH, QBHS, QBL5, QBS, QHB1, QTN, VMQ3, VMT, VMT3, VSB3, VSB4, VSB5, VS4, VS6	
13013-Z5T-003	RING SET, PISTON (0.75) (RIKEN)	(1)	-	-----	LH, LHB5, LHP1, LP, LT, LXE9, PX, QH, QHB3, QHB5, QHP1, QMH, QX, QXE, QXEK, QXK, SH, SHE, SWE, SWX, SX, SXC, SXE, VSP, VTE5, VX, VXE, VXX, VXU1	
		(1)	-	1438370	QN, QP, QT, QTD, SN	
		(1)	-	1450801	LH, LHB5, LHP1, LP, LT, LXE9, PX, QH, QHB3, QHB5, QHP1, QMH, QX, QXE, QXEK, QXK, SH, SHE, SWE, SWX, SX, SXC, SXE, VSP, VTE5, VX, VXE, VXX, VXU1	
2	13101-ZF6-W00	PISTON (STD.)	1	-	-----	LXE8, LXU, PXE8, PXU, QAA2, QAA6, QA2, QA26, QXE8, QXQ4, QXU, SXE8, SXQ4, VXE8, VX8
			1	-	1438369	LH, LHB5, LHP1, LP, LT, LXE9, PX, QH, QHB3, QHB5, QHP1, QMH, QX, QXE, QXEK, QXK, SH, SHE, SWE, SWX, SX, SXC, SXE, VSP, VTE5, VX, VXE, VXX, VXU1
	13101-ZF6-810	.....	1	-	-----	QN, QP, QT, QTD, SN
	13102-ZF6-W00	PISTON (0.25)	(1)	-	-----	LXE8, LXU, PXE8, PXU, QAA2, QAA6, QA2, QA26, QXE8, QXQ4, QXU, SXE8, SXQ4, VXE8, VX8
			(1)	-	1438369	LH, LHB5, LHP1, LP, LT, LXE9, PX, QH, QHB3, QHB5, QHP1, QMH, QX, QXE, QXEK, QXK, SH, SHE, SN, SWE, SWX, SX, SXC, SXE, VSP, VTE5, VX, VXE, VXX, VXU1
	13102-ZF6-810	.....	(1)	-	1450800	QN, QP, QT, QTD, SN



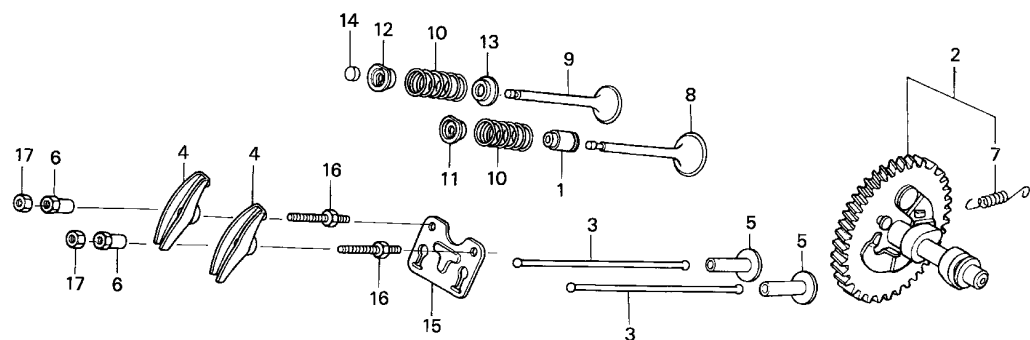
FR. Z1C0E0800A

Ref. No.	Part No.	Description	Reqd. QTY		Serial No.	Parts catalogue code
			GX 390 T1	GX 390 T2		
(2)	13103-ZF6-W00	PISTON (0.50)	(1)	-	----- LXE8,LXU,PXE8,PXU,QAA2,QAA6,QA2,QA26,QXE8,QXQ4,QXU,SXE8,SXQ4,VXE8,VX8	
			(1)	-	----- 1438369 LH,LHB5,LHP1,LP,LT,LXE9,PX,QH,QHB3,QHB5,QHP1,QMH,QX,QXE,QXEK,QXK,SH	
	13103-ZF6-810		(1)	-	----- 1450800 QN,QP,QT,QTD,SN	
	13104-ZF6-W00	PISTON (0.75)	(1)	-	----- LXE8,LXU,PXE8,PXU,QAA2,QAA6,QA2,QA26,QXE8,QXQ4,QXU,SXE8,SXQ4,VXE8,VX8	
			(1)	-	----- 1438369 LH,LHB5,LHP1,LP,LT,LXE9,PX,QH,QHB3,QHB5,QHP1,QMH,QX,QXE,QXEK,QXK,SH	
	13104-ZF6-810		(1)	-	----- 1450800 QN,QP,QT,QTD,SN	
	13101-ZF6-W01	PISTON (STD.)	1	-	----- ES2,ES3,LH2,SWE2,SWX2,VMQ3,VMT2,VMT3,VSB4,VSB5,VS4,VS6	
	13101-ZF6-811		1	-	----- QBLS	
			1	-	----- 1450801 QN,QP,QT,QTD,SN	
			-	1	----- QN,QP,QT	
	13102-ZF6-W01	PISTON (0.25)	(1)	-	----- ES2,ES3,LH2,SWE2,SWX2,VMQ3,VMT2,VMT3,VSB4,VSB5,VS4,VS6	
	13102-ZF6-811		(1)	-	----- QBLS	
			(1)	-	----- 1450801 QN,QP,QT,QTD,SN	
			-	(1)	----- QN,QP,QT	
	13103-ZF6-W01	PISTON (0.50)	(1)	-	----- ES2,ES3,LH2,SWE2,SWX2,VMQ3,VMT2,VMT3,VSB4,VSB5,VS4,VS6	
	13103-ZF6-811		(1)	-	----- QBLS	
			(1)	-	----- 1450801 QN,QP,QT,QTD,SN	
			-	(1)	----- QN,QP,QT	
	13104-ZF6-W01	PISTON (0.75)	(1)	-	----- ES2,ES3,LH2,SWE2,SWX2,VMQ3,VMT2,VMT3,VSB4,VSB5,VS4,VS6	
	13104-ZF6-811		(1)	-	----- QBLS	
			(1)	-	----- 1450801 QN,QP,QT,QTD,SN	
			-	(1)	----- QN,QP,QT	

Ref. No.	Part No.	Description	Reqd. QTY		Serial No.	Parts catalogue code	
			GX 390 T1	GX 390 T2			
(2)	13101-Z5T-000	PISTON (STD.)	1	1	-----	LBHB,QBE1,QBH,QBHS,QBS,QHB1,QTN,VMT, VSB3	
			1	-	-----	QAPW	
			1	-	1438370	-----	LH,LHB5,LHP1,LP,LT,LXE9,PX,QH,QHB3,QHB5,QHP1,QMH,QX,QXE,QXEK,QXK,SH SHE,SWE,SWX,SX,SXC,SXE,VSP,VTE5,VX,VXE,VXK,VXU1
			-	1	-----	-----	ES2,LH,LHB5,LHP1,LH2,LXE9,PX,QH,QHB3,QHB5,QMH,QX,QXE,QXEK,QXK,SH,SWE2 SWX,SWX2,SX,SXC,VMQ3,VMT3, VSB4,VS4,VS6,VTE5,VX,VXE,VXK,VXU1
	13102-Z5T-000	PISTON (0.25)	(1)	(1)	-----	LBHB,QAPW,QBE1,QBH,QBHS,QBS,QHB1,QTN,VMT, VSB3	
			(1)	-	1438370	-----	LH,LHB5,LHP1,LP,LT,LXE9,PX,QH,QHB3,QHB5,QHP1,QMH,QX,QXE,QXEK,QXK,SH SHE,SWE,SWX,SX,SXC,SXE,VSP,VTE5,VX,VXE,VXK,VXU1
			-	(1)	-----	-----	ES2,LH,LHB5,LHP1,LH2,LXE9,PX,QH,QHB3,QHB5,QHP1,QMH,QX,QXE,QXEK,QXK,SH SWE2,SWX,SWX2,SX,SXC,VMQ3,VMT2,VMT3, VSB4,VSP,VS4,VS6,VTE5,VX,VXE,VXK VXU1
	13103-Z5T-000	PISTON (0.50)	(1)	(1)	-----	LBHB,QAPW,QBE1,QBH,QBHS,QBS,QHB1,QTN,VMT, VSB3	
			(1)	-	1438370	-----	LH,LHB5,LHP1,LP,LT,LXE9,PX,QH,QHB3,QHB5,QHP1,QMH,QX,QXE,QXEK,QXK,SH SHE,SWE,SWX,SX,SXC,SXE,VSP,VTE5,VX,VXE,VXK,VXU1
			-	(1)	-----	-----	ES2,LH,LHB5,LHP1,LH2,LXE9,PX,QH,QHB3,QHB5,QHP1,QMH,QX,QXE,QXEK,QXK,SH SWE2,SWX,SWX2,SX,SXC,VMQ3,VMT2,VMT3, VSB4,VSP,VS4,VS6,VTE5,VX,VXE,VXK VXU1
	13104-Z5T-000	PISTON (0.75)	(1)	(1)	-----	LBHB,QAPW,QBE1,QBH,QBHS,QBS,QHB1,QTN,VMT, VSB3	
			(1)	-	1438370	-----	LH,LHB5,LHP1,LP,LT,LXE9,PX,QH,QHB3,QHB5,QHP1,QMH,QX,QXE,QXEK,QXK,SH SHE,SWE,SWX,SX,SXC,SXE,VSP,VTE5,VX,VXE,VXK,VXU1
			-	(1)	-----	-----	ES2,LH,LHB5,LHP1,LH2,LXE9,PX,QH,QHB3,QHB5,QHP1,QMH,QX,QXE,QXEK,QXK,SH SWE2,SWX,SWX2,SX,SXC,VMQ3,VMT2,VMT3, VSB4,VSP,VS4,VS6,VTE5,VX,VXE,VXK VXU1
	13101-Z5T-800	PISTON (STD.)	-	1	-----	QAPW,QHP1,VSP	
3	13111-ZF6-W00	PIN, PISTON	1	-	-----	-----	
			-	1	-----	-----	ES2,LH,LHB5,LHP1,LH2,LXE9,PX,QBE1,QH,QHB1,QHB3,QHB5,QMH,QN,QP, QTD,QX QXE,QXEK,QXK,SH,SWE2,SWX,SWX2,SX,SXC,VMQ3,VMT,VMT2,VMT3, VSB3, VSB4,VS4 VS6,VTE5,VX,VXE,VXK,VXU1
	13111-Z5T-000	.....	-	1	-----	QAPW,QHP1,VSP	
4	13200-Z1C-000	ROD ASSY., CONNECTING (STD.)	1	-	-----	-----	
			-	1	-----	-----	ES2,ES3,LBHB,LH,LHB5,LHP1,LH2,LT,LXE8,LXE9,LXU,PX,PXE8,PXU,QAA2,QAA6 QAPW,QA2,QA26,QBE1,QBH,QBHS,QBLS,QBS,QH,QHB1,QHB3,QHB5,QHP1,QMH,QN,QP QT,QTD,QTN,QX,QXE,QXEK,QXE8,QXK,QXQ4,QXU,SH,SHE,SN,SWE,SWE2,SWX,SWX2 SX,SXC,SXE,SXE8,SXQ4,VMQ3,VMT2,VMT3, VSB4, VSB5,VSP,VS4,VS6,VTE5,VX,VXE VXE8,VXK,VXU1,VX8
	13200-ZF6-000	ROD ASSY., CONNECTING	-	1	-----	LP	
	13200-Z1C-305	ROD ASSY., CONNECTING (0.25 UNDER SIZE)	(1)	(1)	-----	-----	LBHB,LH,LHB5,LHP1,LH2,LT,LXE8,LXE9,LXU,PX,PXE8,PXU,QAA2,QAA6,QAPW,QA2 QA26,QBE1,QBH,QBHS,QBLS,QBS,QH,QHB1,QHB3,QHB5,QHP1,QMH,QN,QP,QT,QTD QTN,QX,QXE,QXEK,QXE8,QXK,QXQ4,QXU,SH,SHE,SN,SWE,SWE2,SWX,SWX2,SX,SXC SXE,SXE8,SXQ4,VSP,VTE5,VX,VXE,VXE8,VXK,VXU1,VX8
	13200-ZE3-315	.....	(1)	(1)	-----	-----	ES2,ES3,VMQ3,VMT,VMT2,VMT3, VSB3, VSB4, VSB5,VS4,VS6
5	13215-ZF6-003	BEARING A, CONNECTING ROD (BLUE)	2	-	-----	LP	
	13216-ZF6-003	BEARING B, CONNECTING ROD (BLACK)	2	-	-----	LP	
	13217-ZF6-003	BEARING C, CONNECTING ROD (BROWN)	2	-	-----	LP	
	13218-ZF6-003	BEARING D, CONNECTING ROD (GREEN)	2	-	-----	LP	
6	90001-ZE8-000	BOLT, CONNECTING ROD	2	-	-----	-----	ES2,ES3,LBHB,LH,LHB5,LHP1,LH2,LT,LXE8,LXE9,LXU,PX,PXE8,PXU,QAA2,QAA6 QAPW,QA2,QA26,QBE1,QBH,QBHS,QBLS,QBS,QH,QHB1,QHB3,QHB5,QHP1,QMH,QN,QP QT,QTD,QTN,QX,QXE,QXEK,QXE8,QXK,QXQ4,QXU,SH,SHE,SN,SWE,SWE2,SWX,SWX2 SX,SXC,SXE,SXE8,SXQ4,VMQ3,VMT2,VMT3, VSB4, VSB5,VSP,VS4,VS6,VTE5,VX,VXE VXE8,VXK,VXU1,VX8
	90001-ZF6-003	.....	-	2	-----	LP	
7	90601-ZE3-000	CLIP, PISTON PIN, 20MM	2	2	-----	-----	



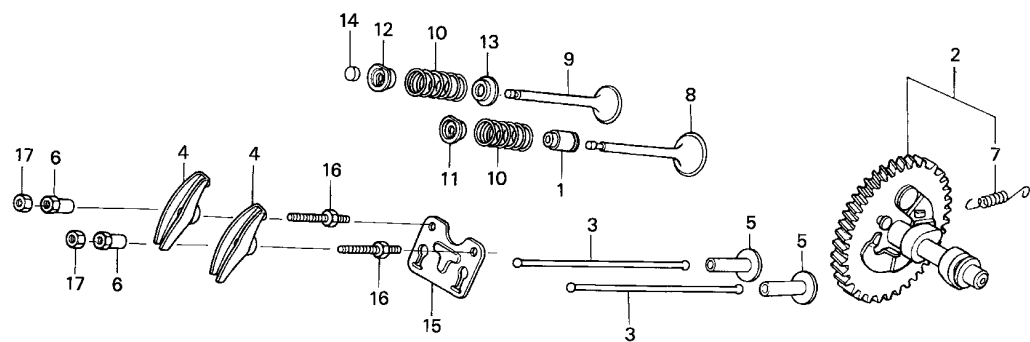




Z1C0-E0900

Ref. No.	L.O.N.	(Relative ref. Number) Description	F.R.T.
1	1111K2	SEAL, INTAKE VALVE STEM ..... .INCLUDES: Valve clearance adjustment	0.6
2	1111C2	CAMSHAFT .....	0.4
3	1111L6	ROD, PUSH :INTAKE .....	0.2
	1111L6A	.Replace exhaust push rod add	0.1
	1111L7	ROD, PUSH :EXHAUST .....	0.2
	1111L7A	.Replace intake push rod add	0.1
4	1111A2	ARM, ROCKER :INTAKE .....	0.2
	1111A2A	.Replace exhaust rocker arm add	0.1
	1111A1	ARM, ROCKER :EXHAUST .....	0.2
	1111A1A	.Replace intake rocker arm add	0.1
5	1111L9	LIFTER, VALVE :INTAKE .....	0.4
+ .NOTE: Same time for two units			

Ref. No.	Part No.	Description	Reqd. QTY		Serial No.	Parts catalogue code
			GX 390 T1	GX 390 T2		
1	12209-ZE8-003	SEAL, VALVE STEM .....	1	1		
2	14100-ZF6-L02 14100-ZF6-W01	CAMSHAFT ASSY. ....	1	1	LP	ES2,ES3,LH,LHB5,LHP1,LH2,LT,LXE8,LXE9,LXU,PX,PXE8,PXU,QAA2,QAA6,QA2,QA26,QBE1,QBLS,QBS,QH,QHB1,QHB3,QHB5,QMH,QN,QP,QT,QTD,QTN,QX,QXE,QXEK,QXE8,QXK,QXQ4,QXU,SH,SHE,SN,SWE,SWE2,SWX,SWX2,SX,SXC,SXE,SXE8,SXQ4,VMQ3,VMT,VMT2,VMT3,VS3,VS4,VS5,VS6,VTE5,VX,VXE,VXE8,VXK,VXU1,VX8
	14100-Z1C-800 14100-Z5T-810	.....	1	-	QAPW,QHP1,VSP	
	14100-Z1C-000	.....	1	-	LBHB,QBH,QBHS	
	14100-Z1C-000	.....	-	1	QAPW,QHP1,VSP	
3	14410-Z1C-000	ROD, PUSH .....	2	2		
4	14431-ZE2-010	ARM, VALVE ROCKER .....	2	2		
5	14441-ZE2-000	LIFTER, VALVE .....	2	2		
6	14451-ZE1-013	PIVOT, ROCKER ARM .....	2	2		
7	14568-ZE1-000	SPRING, WEIGHT RETURN .....	1	-	ES2,ES3,LH,LHB5,LHP1,LH2,LP,LT,LXE8,LXE9,LXU,PX,PXE8,PXU,QAA2,QAA6,QAPW,QA2,QA26,QBE1,QBLS,QBS,QH,QHB1,QHB3,QHB5,QHP1,QMH,QN,QP,QT,QTD,QTN,QX,QXE,QXEK,QXE8,QXK,QXQ4,QXU,SH,SHE,SN,SWE,SWE2,SWX,SWX2,SX,SXC,SXE,SXE8,SXQ4,VMQ3,VMT,VMT2,VMT3,VS3,VS4,VS5,VS6,VTE5,VX,VXE,VXE8,VXK,VXU1,VX8	
	14568-ZE3-790	.....	-	1	LP	
	14568-Z1C-800	.....	1	-	LBHB,QBH,QBHS	
8	14711-ZE3-000	VALVE, IN. ....	1	1	ES2,ES3,LH,LHB5,LHP1,LH2,LP,LT,LXE8,LXE9,LXU,PX,PXE8,PXU,QAA2,QAA6,QA2,QA26,QBE1,QBLS,QBS,QH,QHB1,QHB3,QHB5,QMH,QN,QP,QT,QTD,QTN,QX,QXE,QXEK,QXE8,QXK,QXQ4,QXU,SH,SHE,SN,SWE,SWE2,SWX,SWX2,SX,SXC,SXE,SXE8,SXQ4,VMQ3,VMT,VMT2,VMT3,VS3,VS4,VS5,VS6,VTE5,VX,VXE,VXE8,VXK,VXU1,VX8	
			1	-	QAPW,QHP1,VSP	

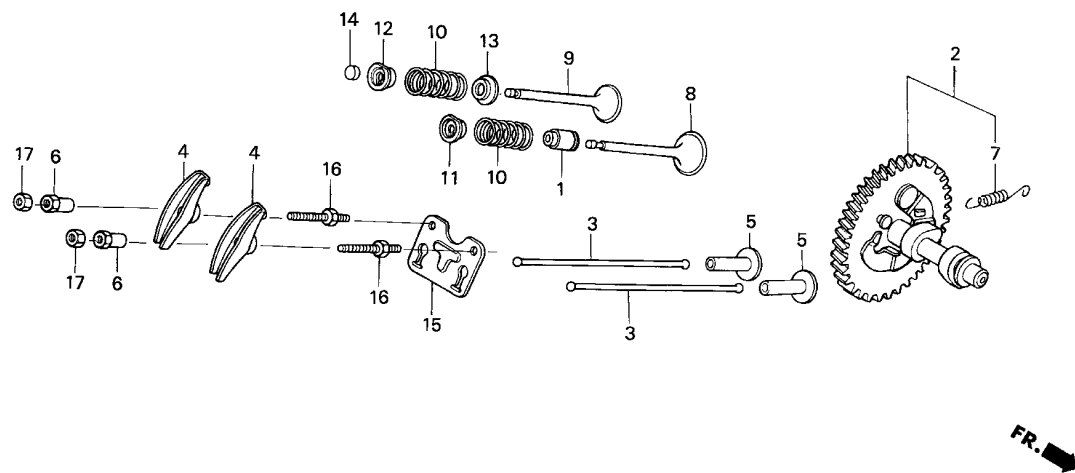


Z1C0-E0900

Ref. No.	L.O.N.	(Relative ref. Number) Description	F.R.T.
+ 5	1111M0	LIFTER, VALVE :EXHAUST ..... .NOTE: Same time for two units	0.4
8	1111L1	VALVE, INTAKE ..... .INCLUDES: Valve clearance adjustment and reface	0.7
	1111L1E	.Replace intake and exhaust all add .....	0.1
9	1111L0	VALVE, EXHAUST ..... .INCLUDES: Valve clearance adjustment and reface	0.7
	1111L0E	.Replace intake and exhaust all add .....	0.1
10	1111P3	SPRING, VALVE :INTAKE ..... .INCLUDES: Valve clearance adjustment	0.6
	1111P3A	.Replace intake and exhaust all add .....	0.1
	1111P4	SPRING, VALVE :EXHAUST ..... .INCLUDES: Valve clearance adjustment	0.6
	1111P4A	.Replace intake and exhaust all add .....	0.1
14	1111J7	ROTATOR, VALVE ..... .INCLUDES: Valve clearance adjustment	0.2

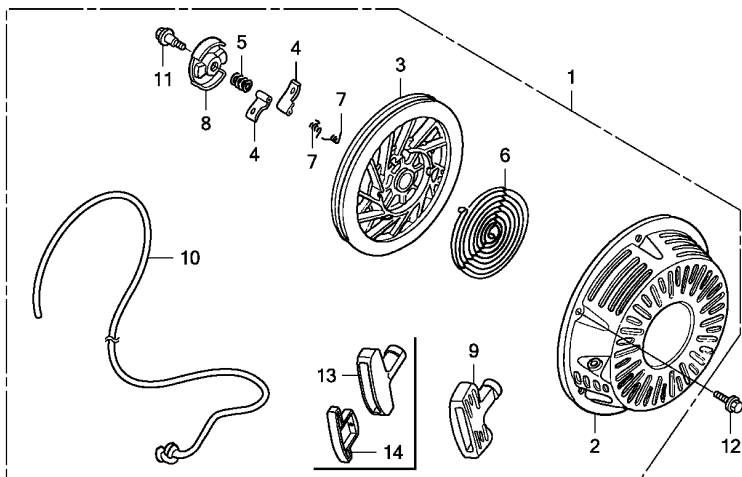
Ref. No.	Part No.	Description	Reqd. QTY		Serial No.	Parts catalogue code
			GX 390 T1	GX 390 T2		
(8)	14711-Z1C-800	VALVE, IN. ....	1	-	-----	LBHB,QBH,QBHS
	14711-Z5T-000	.....	-	1	-----	QAPW,QHP1,VSP
9	14721-ZE3-000	VALVE, EX. ....	1	1	-----	LBHB,LH,LHB5,LHP1,LH2,LT,LXE8,LXE9,LXU,PX,PXE8,PXU,QAA2,QAA6,QA2,QA26,QBE1,QBH,QBHS,QBLS,QBS,QH,QHB1,QHB3,QHB5,QMH,QN,QP,QT,QTD,QTN,QX,QXE,QXEK,QXE8,QXK,QXQ4,QXU,SH,SHE,SN,SWE,SWE2,SWX,SWX2,SX,SXC,SXE,SXE8,SXQ4,VTE5,VX,VXE,VXE8,VXK,VXU1,VX8
	14721-ZK6-800	.....	1	-	-----	QAPW,QHP1,VSP
	14721-ZE3-810	VALVE, EX. (STELLITE) .....	1	1	-----	LP
	14721-Z5T-000	VALVE, EX. ....	-	1	-----	ES2,ES3,VMQ3,VMT,VMT2,VMT3,VS3,VS4,VS5,VS6
10	14751-Z1C-000	SPRING, VALVE .....	2	2	-----	QAPW,QHP1,VSP
11	14771-ZE2-000	RETAINER, IN. VALVE SPRING ..	1	-	-----	LBHB,LH,LHB5,LHP1,LH2,LP,LT,LXE8,LXE9,LXU,PX,PXE8,PXU,QAA2,QAA6,QAPW,QA2,QA26,QBE1,QBH,QBHS,QBLS,QBS,QH,QHB1,QHB3,QHB5,QHP1,QMH,QN,QP,QT,QTD,QX,QXE,QXEK,QXE8,QXK,QXQ4,QXU,SH,SHE,SN,SWE,SWE2,SWX,SWX2,SX,SXC,SXE,SXE8,SXQ4,VSP,VTE5,VX,VXE,VXE8,VXK,VXU1,VX8
	14771-Z8S-000	.....	1	-	-----	ES2,ES3,VTN,VMQ3,VMT2,VMT3,VS4,VS5,VS6
12	14773-ZE2-000	RETAINER, EX. VALVE SPRING ..	1	-	-----	LBHB,LH,LHB5,LHP1,LH2,LP,LT,LXE8,LXE9,LXU,PX,PXE8,PXU,QAA2,QAA6,QAPW,QA2,QA26,QBE1,QBH,QBHS,QBLS,QBS,QH,QHB1,QHB3,QHB5,QHP1,QMH,QN,QP,QT,QTD,QX,QXE,QXEK,QXE8,QXK,QXQ4,QXU,SH,SHE,SN,SWE,SWE2,SWX,SWX2,SX,SXC,SXE,SXE8,SXQ4,VSP,VTE5,VX,VXE,VXE8,VXK,VXU1,VX8
	14773-Z8S-000	.....	1	1	-----	ES2,ES3,VTN,VMQ3,VMT,VMT2,VMT3,VS3,VS4,VS5,VS6
	14771-Z8S-000	RETAINER, IN. VALVE SPRING ..	-	1	-----	LH,LHB5,LHP1,LH2,LXE9,PX,QBE1,QH,QHB1,QHB3,QHB5,QMH,QN,QP,QTD,QX,QXE,QXEK,QXK,SH,SWE2,SWX,SWX2,SX,SXC,VTE5,VX,VXE,VXK,VXU1
13	14775-ZE2-010	SEAT, VALVE SPRING .....	1	1	-----	QAPW,QHP1,VSP





Z1C0-E0900

Ref. No.	Part No.	Description	Reqd. QTY		Serial No.	Parts catalogue code
			GX 390 T1	GX 390 T2		
14	14781-ZE2-000	ROTATOR, VALVE .....	1	-	-----	ES2,LH,LHB5,LHP1,LH2,LXE9,PX,QBE1,QH,QHB1,QHB3,QHB5,QMH,QN,QP,QTD,QX,QXE,QXEK,QXK,SH,SWE2,SWX,SWX2,SX,SXC,VMQ3,VMT,VMT2,VMT3,VS3,VS4,VS6,VTE5,VX,VXE,VXK,VXU1
15	14791-ZE2-010	GUIDE, PUSH ROD .....	1	-	-----	ES2,ES3,LBHB,LH,LHB5,LHP1,LH2,LP,LT,LXE8,LXE9,LXU,PX,PXE8,PXU,QAA2,QAA6,QA2,QA26,QBH,QBHS,QBLS,QBS,QH,QHB3,QHB5,QHP1,QMH,QN,QP,QT,QTD,QX,QXE,QXEK,QXE8,QXK,QXQ4,QXU,SH,SHE,SN,SWE,SWE2,SWX,SWX2,SX,SXC,SXE,SXE8,SXQ4,VMQ3,VMT2,VMT3,VS4,VS5,VSP,VS4,VS6,VTE5,VX,VXE,VXE8,VXK,VXU1,VX8
	14791-Z1D-000	.....	1	-	-----	QAPW,QBE1,QHB1,QTN
			-	1		
16	90012-ZE0-010	BOLT, PIVOT, 8MM .....	2	2		
17	90206-ZE1-000	NUT, PIVOT ADJUSTING .....	2	2		

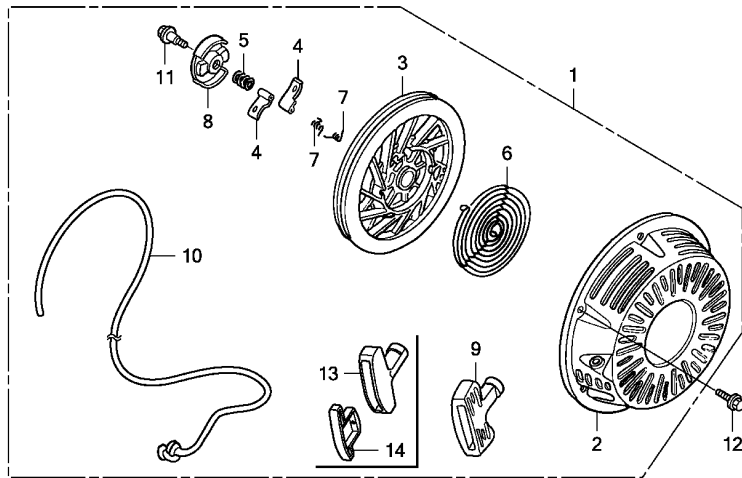


Z1C0E1100A  
FR. →

Ref. No.	L.O.N.	(Relative ref. Number) Description	F.R.T.
1	1121B9	STARTER, RECOIL .....	0.1
3	1121B1	REEL, RECOIL STARTER .....	0.3
4	1121B0	RATCHET, STARTER AND/OR SPRING, RATCHET .....	0.2
.NOTE: Same time for two units			
6	1121B7	SPRING, RECOIL STARTER RETURN (5)	0.3
8	1121B2	RETAINER, SPRING .....	0.2
10	1121B3	ROPE, RECOIL STARTER .....	0.3

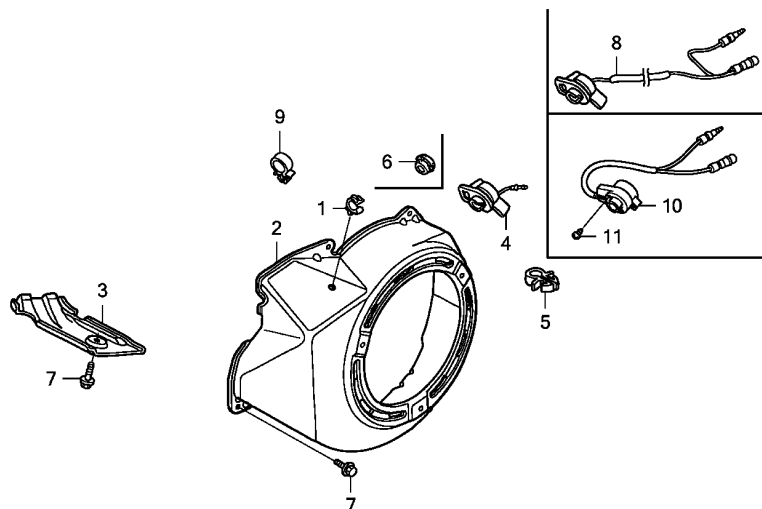
Ref. No.	Part No.	Description	Reqd. QTY		Serial No.	Parts catalogue code
			GX 390 T1	GX 390 T2		
1	28400-ZE3-W01ZB	STARTER ASSY., RECOIL	1	-	-----	ES2,ES3,QAA2,QAPW,QA2
	*NH1*	.....BLACK	1	-	-----	VS4,VS6
	28400-ZE3-W01ZH	*NH105*...MAT BLACK (#15-#20)	1	-	-----	ES2,ES3,LH,LHB5,LHP1,LH2,LP,LT,LXE8,LXE9,LXU,PX,PXE8,PXU,QAA2,QAA6
	28400-ZE3-W01ZP	*R280*.....POWER RED	1	-	-----	QAPW,QA2,QA26,QBE1,QH,QHB1,QHB3,QHB5,QHP1,QMH,QN,QP,QT,QTD,QTN,QX,QXE,QXEK,QXE8,QXK,QXQ4,QXU,SH,SHE,SN,SWE,SWE2,SWX,SWX2,SX,SXC,SXE,SXE8,SXQ4,VMQ3,VMT2,VMT3,VSB4,VSB5,VSP,VTE5,VX,VXE,VXE8,VXK,VXU1,VX8
	28400-ZE3-W02ZB	*NH1*.....BLACK	-	1	-----	ES2
	28400-ZE3-W02ZH	*NH105*...MAT BLACK (#15-#20)	-	1	-----	VS4,VS6
	28400-ZE3-W02ZP	*R280*.....POWER RED	-	1	-----	ES2,LH,LHB5,LHP1,LH2,LXE9,PX,QBE1,QH,QHB1,QHB3,QHB5,QMH,QN,QP,QTD,QX,QXE,QXEK,QXK,SH,SWE2,SWX,SWX2,SX,SXC,VMQ3,VMT,VMT2,VMT3,VSB3,VSB4,VTE5,VX,VXE,VXK,VXU1
	28400-Z1C-801ZA	*R280*.....POWER RED	1	-	-----	LBHB,QBH,QBHS,QBLS,QBS
	28400-Z5T-003ZA	*R280*.....POWER RED	-	1	-----	QAPW,QHP1,VSP
	28400-Z5T-003ZB	*NH1*.....BLACK	-	1	-----	QAPW
2	28410-ZE3-W01ZB	CASE COMP., RECOIL STARTER	1	1	-----	ES2,ES3,QAA2,QAPW,QA2
	*NH1*	.....BLACK	1	1	-----	VS4,VS6
	28410-ZE3-W01ZH	*NH105*...MAT BLACK (#15-#20)	1	1	-----	ES2,ES3,LH,LHB5,LHP1,LH2,LP,LT,LXE8,LXE9,LXU,PX,PXE8,PXU,QAA2,QAA6
	28410-ZE3-W01ZP	*R280*.....POWER RED	1	1	-----	QAPW,QA2,QA26,QBE1,QH,QHB1,QHB3,QHB5,QHP1,QMH,QN,QP,QT,QTD,QTN,QX,QXE,QXEK,QXE8,QXK,QXQ4,QXU,SH,SHE,SN,SWE,SWE2,SWX,SWX2,SX,SXC,SXE,SXE8,SXQ4,VMQ3,VMT,VMT2,VMT3,VSB3,VSB4,VSB5,VSP,VTE5,VX,VXE,VXE8,VXK,VXU1,VX8
	28410-Z1C-801	.....	1	-	-----	LBHB,QBH,QBHS,QBLS,QBS
3	28421-ZE3-W01	PULLEY, RECOIL STARTER .....	1	1		
4	28422-ZE2-W01	RATCHET, STARTER .....	2	2		
5	28441-ZE2-W01	SPRING, FRICTION .....	1	1		
6	28442-ZE2-W01	SPRING, STARTER RETURN .....	1	1		





FR. →  
Z1C0E1100A

Ref. No.	Part No.	Description	Reqd. QTY		Serial No.	Parts catalogue code
			GX 390 T1	GX 390 T2		
7	28443-ZE2-W01	SPRING, RATCHET .....	2	2		
8	28444-ZE2-W01	RETAINER, SPRING .....	1	1		
9	28461-ZE2-W02	GRIP, STARTER .....	1	-		
	28461-ZE2-W03	.....	-	1	-----	ES2, LH, LHB5, LHP1, LH2, LXE9, PX, QBE1, QH, QHB1, QHB3, QHB5, QMH, QN, QP, QTD, QX, QXE, QXEK, QXK, SH, SWE2, SWX, SWX2, SX, SXC, VMQ3, VMT, VMT2, VMT3, VSB3, VSB4, VS4, VS6, VTE5, VX, VXE, VXK, VXU1
10	28462-ZE3-W01	ROPE, RECOIL STARTER .....	1	-	-----	ES2, ES3, LH, LHB5, LHP1, LH2, LP, LT, LXE8, LXE9, LXU, PX, PXE8, PXU, QAA2, QAA6, QAPW, QA2, QA26, QBE1, QH, QHB1, QHB3, QHB5, QHP1, QMH, QN, QP, QT, QTD, QTN, QX, QXE, QXEK, QXE8, QXK, QXQ4, QXU, SH, SHE, SN, SWE, SWE2, SWX, SWX2, SX, SXC, SXE, SXE8, SXQ4, VMQ3, VMT2, VMT3, VSB4, VSB5, VSP, VS4, VS6, VTE5, VX, VXE, VXE8, VXK, VXU1, VX8
	28462-Z1C-801	.....	-	1	-----	LBHB, QBH, QBHS, QBLS, QBS
11	90004-ZE2-W01	SCREW, CENTER .....	1	1		
12	90008-ZE2-003	BOLT, FLANGE, 6X10 .....	3	-	-----	ES2, ES3, LH, LHB5, LHP1, LH2, LP, LT, LXE8, LXE9, LXU, PX, PXE8, PXU, QAA2, QAA6, QAPW, QA2, QA26, QBE1, QH, QHB1, QHB3, QHB5, QHP1, QMH, QN, QP, QT, QTD, QTN, QX, QXE, QXEK, QXE8, QXK, QXQ4, QXU, SH, SHE, SN, SWE, SWE2, SWX, SWX2, SX, SXC, SXE, SXE8, SXQ4, VMQ3, VMT2, VMT3, VSB4, VSB5, VSP, VS4, VS6, VTE5, VX, VXE, VXE8, VXK, VXU1, VX8
	90001-Z0T-800	.....	-	3	-----	LBHB, QBH, QBHS, QBLS, QBS
13	28461-Z5T-003	GRIP, STARTER .....	-	1	-----	QAPW, QHP1, VSP
14	28463-Z5T-003	GRIP, REINFORCEMENT .....	-	1	-----	QAPW, QHP1, VSP

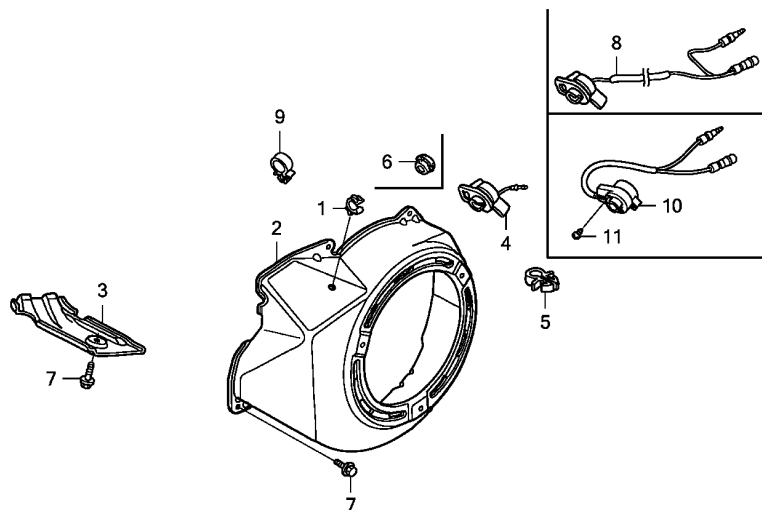


FR. Z1C0E1200B

Ref. No.	L.O.N.	(Relative ref. Number) Description	F.R.T.
2	1141G8	COVER, ENGINE COOLING FAN .... (8,10)	0.2
4	6151D9	SWITCH, ENGINE STOP .....	0.2

Ref. No.	Part No.	Description	Reqd. QTY		Serial No.	Parts catalogue code
			GX 390 T1	GX 390 T2		
1	16731-ZE2-003	CLIP, TUBE .....	1	1	-----	LH,LHB5,LHP1,LH2,LP,LT,LXE8,LXE9,LXU,PX,PXE8,PXU,QAA2,QAA6,QAPW,QA2,QA26,QBE1,QH,QHB1,QHB3,QHB5,QHP1,QMH,QN,QP,QT,QTD,QTN,QX,QXE,QXEK,QXE8,QXK,QXQ4,QXU,SH,SHE,SN,SWE,SWE2,SWX,SWX2,SX,SXC,SXE,SXE8,SXQ4,VSP,VTE5,VX,VXE,VXE8,VXK,VXU1,VX8
2	19610-ZE3-010ZB	COVER COMP., FAN *NH1*.....BLACK	1	-	-----	QAA2,QAPW,QA2
	19610-ZE3-010ZL	*R280*.....POWER RED	1	1	-----	LH,LHB5,LHP1,LH2,LP,LT,LXE8,LXE9,LXU,PX,PXE8,PXU,QAA2,QAA6,QA2,QA26,QBE1,QH,QHB1,QHB3,QHB5,QMH,QN,QP,QT,QTD,QTN,QX,QXE,QXEK,QXE8,QXK,QXQ4,QXU,SH,SHE,SN,SWE,SWE2,SWX,SWX2,SX,SXC,SXE,SXE8,SXQ4,VTE5,VX,VXE,VXE8,VXK,VXU1,VX8
	19610-ZE3-700ZB	*NH1*.....BLACK	1	-	-----	QAPW,QHP1,VSP
	19610-ZE3-700ZK	*R280*.....POWER RED	1	1	-----	ES2,ES3
	19610-ZE3-700ZL	*NH105*...MAT BLACK (#15-#20)	1	1	-----	ES2,ES3,VMQ3,VMT,VMT2,VMT3,VS3,VS4,VS5
	19610-Z5T-000ZA	*R280*.....POWER RED	-	1	-----	VS4,VS6
	19610-Z5T-000ZB	*NH1*.....BLACK	-	1	-----	QAPW,QHP1,VSP
3	19631-ZE3-W00	SHROUD .....	1	1	-----	QAPW
	19631-Z5T-000	.....	1	-	-----	ES2,ES3,LH,LHB5,LHP1,LH2,LP,LT,LXE8,LXE9,LXU,PX,PXE8,PXU,QAA2,QAA6,QA2,QA26,QBE1,QH,QHB1,QHB3,QHB5,QMH,QN,QP,QT,QTD,QTN,QX,QXE,QXEK,QXE8,QXK,QXQ4,QXU,SH,SHE,SN,SWE,SWE2,SWX,SWX2,SX,SXC,SXE,SXE8,SXQ4,VMQ3,VMT,VMT2,VMT3,VS3,VS4,VS5,VS6,VTE5,VX,VXE,VXE8,VXK,VXU1,VX8
	19631-Z5T-000	.....	-	1	-----	QAPW,QHP1,VSP
4	35120-Z0D-V81	SWITCH ASSY., ENGINE STOP ...	1	1	-----	QAPW,QHP1,VSP
			1	-	-----	LH,LHB5,LHP1,LH2,LT,QH,QHB3,QHB5,QMH,QN,QP,QT,QTD,QTN,SH,SN
			1	-	-----	QHP1
5	36103-ZE1-000	HOLDER, STOP SWITCH CORD ....	1	1	-----	ES2,ES3,LH,LHB5,LHP1,LH2,LP,LT,LXE8,LXE9,PXE8,QBE1,QH,QHB1,QHB3,QHB5,QMH,QN,QP,QT,QTD,QTN,QXE,QXEK,QXE8,SH,SHE,SN,SWE,SWE2,SXE,SXE8,VMQ3,VMT,VMT2,VMT3,VS4,VS6,VTE5,VXE,VXE8,VXK,VXU1
			1	-	-----	QHP1





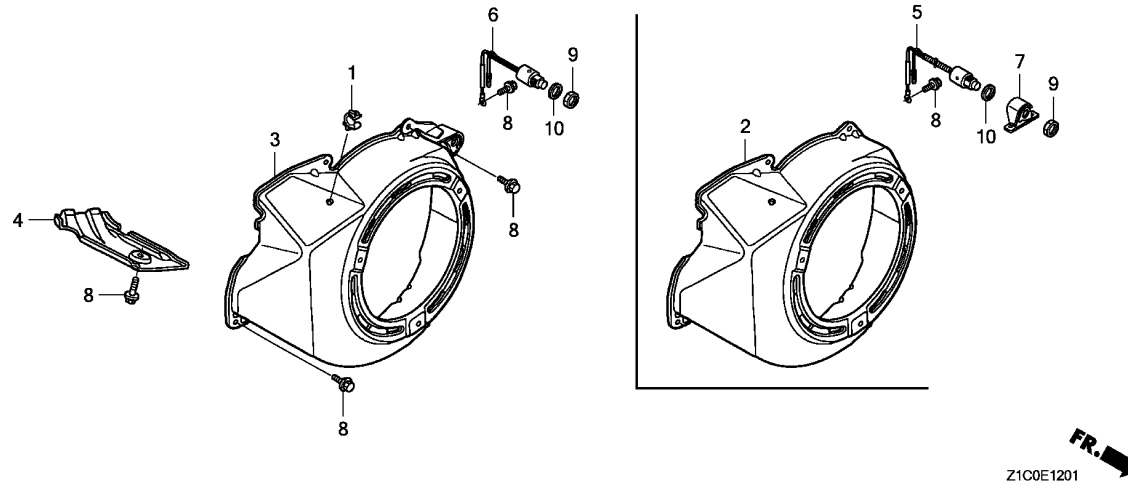
FR. Z1C0E1200B

Ref. No.	Part No.	Description	Reqd. QTY		Serial No.	Parts catalogue code
			GX 390 T1	GX 390 T2		
6	81329-567-020	GROMMET, DRAIN HOLE .....	1	1	-----	ES2,ES3,LP,LXE8,LXE9,PXE8,QBE1,QHB1,QXE,QXEK,QXE8,SHE,SWE,SWE2,SXE,SXE8,VMQ3,VMT,VMT2,VMT3,VS3,VS4,VS5,VS6,VTE5,VXE,VXE8,VXK,VXU1
7	90013-883-000	BOLT, FLANGE, 6X12(CT200) ...	6	-	-----	ES2,ES3,LH,LHB5,LHP1,LH2,LP,LT,LXE8,LXE9,LXU,PX,PXE8,PXU,QAA2,QAA6,QAPW,QA2,QA26,QBE1,QH,QHB1,QHB3,QHB5,QHP1,QMH,QN,QP,QT,QTd,QTn,QX,QXE,QXEK,QXE8,QXK,QXQ4,QXU,SH,SHE,SN,SWE,SWE2,SWX,SWX2,SX,SXC,SXE,SXE8,SXQ4,VMQ3,VMT2,VMT3,VS4,VS5,VSP,VS4,VS6,VTE5,VX,VXE,VXE8,VXK,VXU1,VX8
8	36100-ZF6-P81	SWITCH ASSY., ENGINE STOP ...	-	6	-----	LXU,PX,PXU,QAA2,QAA6,QA2,QA26,QX,QXK,QXQ4,QXU,SWX,SX,SXC,SXQ4,VSP,VX,VX8
	36100-ZF6-P82	.....	1	1	-----	SWX2
			1	-	-----	QAPW
			-	1	-----	PX,QX,QXK,SWX,SX,SXC,VX
9	90654-SA4-003	CLIP, WIRE HARNESS, 6MM(WHITE)	2	2	-----	ES2,ES3,VMQ3,VMT,VMT2,VMT3,VS3,VS4,VS5,VS6
10	35120-Z5T-003	SWITCH ASSY., ENGINE STOP ...	-	1	-----	QAPW,QHP1,VSP
11	90004-Z5T-000	SCREW, TAPPING, 3X6 .....	-	2	-----	QAPW,QHP1,VSP

E-12-1

FAN COVER(2)

E 6

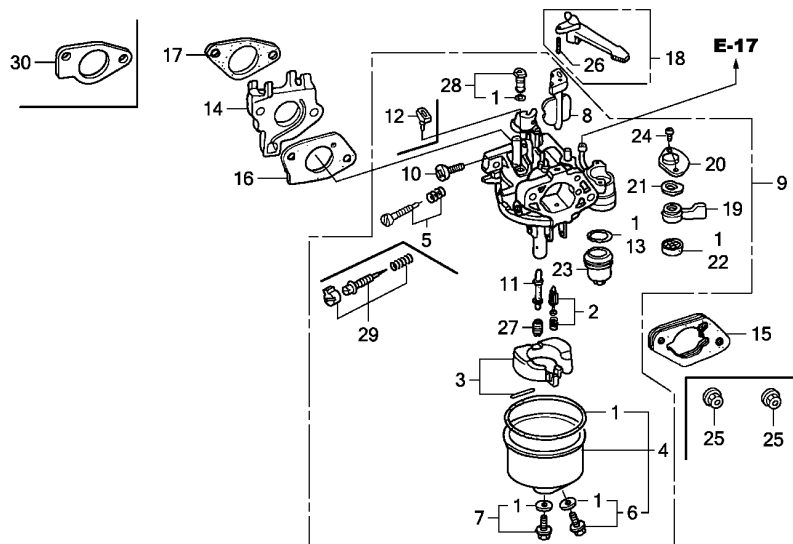


Ref. No.	L.O.N.	(Relative ref. Number) Description	F.R.T.
3	(2)		
1141G8	(2)	COVER, ENGINE COOLING FAN ....	0.2
6	(5)		
6151D9	(5)	SWITCH, ENGINE STOP .....	0.2

Ref. No.	Part No.	Description	Reqd. QTY		Serial No.	Parts catalogue code
			GX 390 T1	GX 390 T2		
1	16731-ZE2-003	CLIP, TUBE .....	1	-	-----	LBHB,QBH,QBHS,QBLS,QBS
2	19610-Z1C-800ZA	COVER COMP., FAN *R280*.....POWER RED	1	-	-----	LBHB
3	19610-Z1C-820ZA	COVER COMP., FAN *R280*.....POWER RED	1	-	-----	QBH,QBHS,QBLS,QBS
4	19631-Z1C-810	SHROUD .....	1	-	-----	LBHB,QBH,QBHS,QBLS,QBS
5	35120-Z0V-811	SWITCH ASSY., ENGINE STOP ...	1	-	-----	LBHB
6	35120-Z0V-821	SWITCH ASSY., ENGINE STOP ...	1	-	-----	QBH,QBHS,QBLS,QBS
7	35124-Z0T-810	BRACKET COMP., STOP SWITCH (BANKA)	1	-	-----	LBHB
8	90013-Z0T-810	BOLT, FLANGE, 6X12(CT200) ...	7	-	-----	LBHB,QBH,QBHS,QBLS,QBS
9	90302-921-000	NUT, HEX., 16MM .....	1	-	-----	LBHB,QBH,QBHS,QBLS,QBS
10	90401-Z0T-800	WASHER, 16MM .....	1	-	-----	LBHB,QBH,QBHS,QBLS,QBS

2





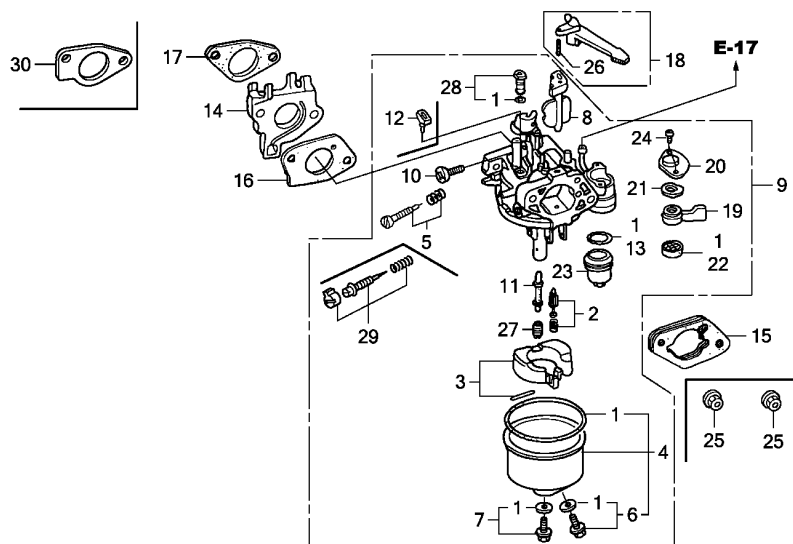
Ref. No.	L.O.N.	(Relative ref. Number) Description	F.R.T.
1	3111B1	GASKET SET, CARBURETOR (3)	0.3
2	3111E1	VALVE SET, FLOAT AND/OR FLOAT SET (29)	0.3
5	3111D7	SCREW SET, PILOT	0.2
9	3111F3	CARBURETOR (23)	0.2
13	3101L6	PACKING, FUEL STRAINER CUP (17,30)	0.2
14	3111C0	INSULATOR, CARBURETOR AND/OR PACKING, INSULATOR	0.2
16	3111C8	PACKING, CARBURETOR	0.2
18	8101F9	LEVER, CARBURETOR CHOKE (19,20,21)	0.2
22	3101C5	PACKING, FUEL COCK (11)	0.2
27	3111C3	JET, MAIN	0.3

Z1C0E1400E



Ref. No.	Part No.	Description	Reqd. QTY		Serial No.	Parts catalogue code
			GX 390 T1	GX 390 T2		
1	16010-ZE2-015	GASKET SET (EXCEPT 16173-001-004)	1	1	-----	LBHB,LT,QBE1,QBH,QBHS,QBLS,QBS,QHB1,QN,QP,QT,QTD,QTN,SWE,SWE2,SWX,SWX2,VTE5
	16010-ZE2-812	GASKET SET (INCLUDE 16173-001-004)	1	1	-----	LH,LHB5,LHP1,LH2,LP,LXE8,LXE9,LXU,PX,PXE8,PXU,QAA2,QAA6,QAPW,QA2,QA26,QH,QHB3,QHB5,QHP1,QMH,QX,QXE,QXEK,QXE8,QXK,QXQ4,QXU,SH,SHE,SX,SXC,SXE,SXE8,SXQ4,VSP,VX,VXE,VXE8,VXK,VXU1,VX8
2	16011-ZA0-931	VALVE SET, FLOAT	1	1	-----	LBHB,LH,LHB5,LHP1,LH2,LP,LT,LXE8,LXE9,LXU,PX,PXE8,PXU,QAA2,QAA6,QAPW,QA2,QA26,QBE1,QBH,QBHS,QBLS,QBS,QH,QHB1,QHB3,QHB5,QHP1,QMH,QN,QP,QT,QTD,QTN,QX,QXE,QXEK,QXE8,QXK,QXQ4,QXU,SH,SHE,SWE,SWE2,SWX,SWX2,SX,SXC,SXE,SXE8,SXQ4,VSP,VTE5,VX,VXE,VXE8,VXK,VXU1,VX8
3	16013-Z1C-003	FLOAT SET	1	1	-----	LBHB,LH,LHB5,LHP1,LH2,LP,LT,LXE8,LXE9,LXU,PX,PXE8,PXU,QAA2,QAA6,QAPW,QA2,QA26,QBE1,QBH,QBHS,QBLS,QBS,QH,QHB1,QHB3,QHB5,QHP1,QMH,QN,QP,QT,QTD,QTN,QX,QXE,QXEK,QXE8,QXK,QXQ4,QXU,SH,SHE,SWE,SWE2,SWX,SWX2,SX,SXC,SXE,SXE8,SXQ4,VSP,VTE5,VX,VXE,VXE8,VXK,VXU1,VX8
4	16015-ZE8-005	CHAMBER SET, FLOAT	1	1	-----	LH,LHB5,LHP1,LH2,LP,LT,LXE8,LXE9,LXU,PX,PXE8,PXU,QAA2,QAA6,QAPW,QA2,QA26,QBE1,QH,QHB1,QHB3,QHB5,QHP1,QMH,QN,QP,QT,QTD,QTN,QX,QXE,QXEK,QXE8,QXK,QXQ4,QXU,SH,SHE,SWE,SWE2,SWX,SWX2,SX,SXC,SXE,SXE8,SXQ4,VSP,VTE5,VX,VXE,VXE8,VXK,VXU1,VX8
	16015-Z1C-801	-----	1	-	-----	LBHB,QBH,QBHS,QBLS,QBS
5	16016-ZE0-005	SCREW SET, PILOT	1	1	-----	LP,LT,QBE1,QHB1,QN,QP,QT,QTD,QTN,SWE,SWE2,SWX,SWX2,VTE5
	16016-ZF6-005	SCREW SET	1	1	-----	LBHB,LH,LHB5,LHP1,LH2,LXE8,LXE9,LXU,PX,PXE8,PXU,QBH,QBHS,QBLS,QBS,QH,QHB3,QHB5,QHP1,QMH,QX,QXE,QXEK,QXE8,QXK,QXU,SH,SHE,SX,SXC,SXE,SXE8,VX,VXE,VXE8,VXK,VXU1,VX8
6	16024-ZE1-811	SCREW SET, DRAIN	1	1	-----	LH,LHB5,LHP1,LH2,LP,LT,LXE8,LXE9,LXU,PX,PXE8,PXU,QAA2,QAA6,QAPW,QA2,QA26,QBE1,QH,QHB1,QHB3,QHB5,QHP1,QMH,QN,QP,QT,QTD,QTN,QX,QXE,QXEK,QXE8,QXK,QXQ4,QXU,SH,SHE,SWE,SWE2,SWX,SWX2,SX,SXC,SXE,SXE8,SXQ4,VSP,VTE5,VX,VXE,VXE8,VXK,VXU1,VX8

Ref. No.	Part No.	Description	Reqd. QTY		Serial No.	Parts catalogue code
			GX 390 T1	GX 390 T2		
(6)	16024-Z0T-841	SCREW SET, DRAIN .....	1	-	-----	LBHB,QBH,QBHS,QBLS,QBS
7	16028-ZE0-005	SCREW SET .....	1	1	-----	LH,LHB5,LHP1,LH2,LP,LT,LXE8,LXE9,LXU,PX,PXE8,PXU,QAA2,QAA6,QAPW,QA2,QA26,QBE1,QH,QHB1,QHB3,QHB5,QHP1,QMH,QN,QP,QT,QTD,QTN,QX,QXE,QXEK,QXE8,QXK,QXQ4,QXU,SH,SHE,SWE,SWE2,SWX,SWX2,SX,SXC,SXE,SXE8, SXQ4,VSP,VTE5,VX,VXE,VXE8,VXK,VXU1,VX8
	16028-Z0T-841	.....	1	-	-----	LBHB,QBH,QBHS,QBLS,QBS
8	16044-ZE3-W20	CHOKE SET .....	1	1	-----	LBHB,LH,LHB5,LHP1,LH2,LP,LT,LXE8,LXE9,LXU,PX,PXE8,PXU,QAA2,QAA6,QAPW,QA2,QA26,QBE1,QBH,QBHS,QBLS,QBS,QH,QHB1,QHB3,QHB5,QHP1,QMH,QN,QP,QT,QTD,QTN,QX,QXE,QXEK,QXE8,QXK,QXQ4,QXU,SH,SHE,SWE,SWE2,SWX,SWX2,SX,SXC,SXE,SXE8, SXQ4,VSP,VTE5,VX,VXE,VXE8,VXK,VXU1,VX8
9	16100-Z1C-W31	CARBURETOR ASSY. (BE85N A) ..	1	1	-----	LT,QBE1,QHB1,QN,QP,QT,QTD,QTN,SWE,SWE2,SWX,SWX2,VTE5
	16100-Z1C-Y31	CARBURETOR ASSY. (BE85P A) ..	1	-	-----	LP
	16100-Z1C-601	CARBURETOR ASSY. (BE85K A) ..	1	1	-----	LH,LHB5,LHP1,LH2,LXE8,LXE9,LXU,PX,PXE8,PXU,QH,QHB3,QHB5,QMH,QX,QXE,QXEK,QXE8,QXK,QXU,SH,SHE,SX,SXC,SXE,SXE8
	16100-Z1C-651	CARBURETOR ASSY. (BE85M A) ..	1	-	-----	QHP1
	16100-Z1C-V01	CARBURETOR ASSY. (BE85Q A) ..	1	1	-----	VX,VXE,VXE8,VXK,VXU1,VX8
	16100-Z1C-V51	CARBURETOR ASSY. (BE85L A) ..	1	-	-----	QAA2,QAA6,QA2,QA26,QXQ4, SXQ4
	16100-Z1C-801	CARBURETOR ASSY. (BE85W A) ..	1	-	-----	VSP
	16100-Z1C-811	CARBURETOR ASSY. (BE85Y A) ..	1	-	-----	LBHB,QBH,QBHS
	16100-Z5T-801	CARBURETOR ASSY. (BE85Z A) ..	1	-	-----	QBLS,QBS
	16100-Z1C-901	CARBURETOR ASSY. ....	-	1	-----	QAPW
	16100-Z5T-901	CARBURETOR ASSY. (BE88A A) ..	-	1	-----	QHP1
	16100-Z5T-911	CARBURETOR ASSY. (BE88F A) ..	-	1	-----	QAPW
10	16124-ZE0-005	SCREW, THROTTLE STOP .....	1	1	-----	VSP
						LBHB,LH,LHB5,LHP1,LH2,LP,LT,LXE8,LXE9,LXU,PX,PXE8,PXU,QAA2,QAA6,QAPW,QA2,QA26,QBE1,QBH,QBHS,QBLS,QBS,QH,QHB1,QHB3,QHB5,QHP1,QMH,QN,QP,QT,QTD,QTN,QX,QXE,QXEK,QXE8,QXK,QXQ4,QXU,SH,SHE,SWE,SWE2,SWX,SWX2,SX,SXC,SXE,SXE8, SXQ4,VSP,VTE5,VX,VXE,VXE8,VXK,VXU1,VX8
11	16166-ZF6-V00	NOZZLE, MAIN .....	1	1	-----	LH,LHB5,LHP1,LH2,LXE8,LXE9,LXU,PX,PXE8,PXU,QAA2,QAA6,QA2,QA26,QH,QHB3,QHB5,QHP1,QMH,QX,QXE,QXEK,QXE8,QXK,QXQ4,QXU,SH,SHE,SX,SXC,SXE,SXE8, SXQ4,VSP,VX,VXE,VXE8,VXK,VXU1,VX8
	16166-ZF6-W20	.....	-	1	-----	QAPW
	16166-Z1C-801	.....	1	1	-----	LP,LT,QBE1,QBLS,QBS,QHB1,QN,QP,QT,QTD,QTN,SWE,SWE2,SWX,SWX2,VTE5
12	16172-ZE3-W10	COLLAR, SETTING .....	1	-	-----	QAPW
						LBHB,QBH,QBHS
13	16173-001-004	PACKING, FUEL STRAINER CUP ..	1	1	-----	LH,LHB5,LHP1,LH2,LXE8,LXE9,LXU,PX,PXE8,PXU,QAA2,QAA6,QA2,QA26,QH,QHB3,QHB5,QHP1,QMH,QX,QXE,QXEK,QXE8,QXK,QXQ4,QXU,SH,SHE,SWE,SWE2,SWX,SWX2,SX,SXC,SXE,SXE8, SXQ4,VSP,VTE5,VX,VXE,VXE8,VXK,VXU1,VX8
14	16211-ZF6-000	INSULATOR, CARBURETOR .....	1	1	-----	LBHB,LH,LHB5,LHP1,LH2,LP,LT,LXE8,LXE9,LXU,PX,PXE8,PXU,QAA2,QAA6,QA2,QA26,QBE1,QBH,QBHS,QBLS,QBS,QH,QHB1,QHB3,QHB5,QMH,QN,QP,QT,QTD,QTN,QX,QXE,QXEK,QXE8,QXK,QXQ4,QXU,SH,SHE,SWE,SWE2,SWX,SWX2,SX,SXC,SXE,SXE8, SXQ4,VSP,VTE5,VX,VXE,VXE8,VXK,VXU1,VX8
	16211-Z5T-000	.....	1	-	-----	QAPW,QHP1,VSP
15	16220-ZA0-702	SPACER COMP., CARBURETOR ....	1	1	-----	QAPW,QHP1,VSP
						LBHB,LH,LHB5,LHP1,LH2,LP,LT,LXE8,LXE9,LXU,PX,PXE8,PXU,QAA2,QAA6,QAPW,QA2,QA26,QBE1,QBH,QBHS,QBLS,QBS,QH,QHB1,QHB3,QHB5,QHP1,QMH,QN,QP,QT,QTD,QTN,QX,QXE,QXEK,QXE8,QXK,QXQ4,QXU,SH,SHE,SWE,SWE2,SWX,SWX2,SX,SXC,SXE,SXE8, SXQ4,VSP,VTE5,VX,VXE,VXE8,VXK,VXU1,VX8



FR.

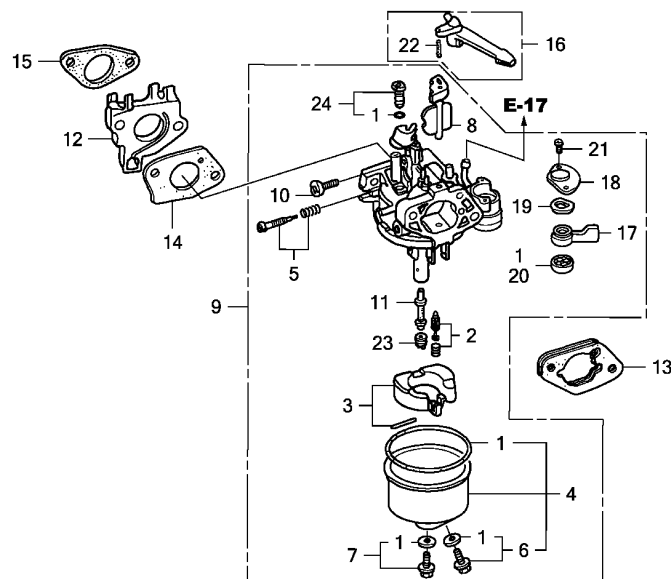
Z1C0E1400E

Ref. No.	Part No.	Description	Reqd. QTY		Serial No.	Parts catalogue code
			GX 390 T1	GX 390 T2		
16	16221-ZF6-800	PACKING, CARBURETOR .....	1	1	-----	LBHB,LH,LHB5,LHP1,LH2,LP,LT,LXE8,LXE9,LXU,PX,PXE8,PXU,QAA2,QAA6,QA2 QA26,QBE1,QBH,QBHS,QBLS,QBS,QH,QHB1,QHB3,QHB5,QMH,QN,QP,QT,QTD,QTN,QX QXE,QXEK,QXE8,QXK,QXQ4,QXU,SH,SHE,SWE,SWE2,SWX,SWX2,SX,SXC,SXE,SXE8 SXQ4,VTE5,VX,VXE,VXE8,VXK,VXU1,VX8 QAPW,QHP1,VSP
	16221-Z5T-000	.....	-	1	-----	QAPW,QHP1,VSP
17	16223-ZE3-W00	PACKING, INSULATOR .....	1	1	-----	LBHB,LH,LHB5,LHP1,LH2,LP,LT,LXE8,LXE9,LXU,PX,PXE8,PXU,QAA2,QAA6,QA2 QA26,QBE1,QBH,QBHS,QBLS,QBS,QH,QHB1,QHB3,QHB5,QMH,QN,QP,QT,QTD,QTN,QX QXE,QXEK,QXE8,QXK,QXQ4,QXU,SH,SHE,SWE,SWE2,SWX,SWX2,SX,SXC,SXE,SXE8 SXQ4,VTE5,VX,VXE,VXE8,VXK,VXU1,VX8 QAPW,QHP1,VSP
18	16610-ZE1-000	LEVER COMP., CHOKE (STD.) ...	1	1	-----	LBHB,LH,LHB5,LHP1,LH2,LP,LT,LXE8,LXE9,LXU,PX,PXE8,PXU,QAA2,QAA6,QAPW QA2,QA26,QBE1,QBH,QBHS,QBLS,QBS,QH,QHB1,QHB3,QHB5,QHP1,QMH,QN,QP,QT QTD,QTN,QX,QXE,QXEK,QXE8,QXK,QXQ4,QXU,SH,SHE,SWE,SWE2,SWX,SWX2,SX,SXC SXE,SXE8,SXQ4,VSP,VTE5,VX,VXE,VXE8,VXK,VXU1,VX8
19	16953-ZE1-812	LEVER, COCK .....	1	1	-----	LBHB,LH,LHB5,LHP1,LH2,LP,LT,LXE8,LXE9,LXU,PX,PXE8,PXU,QAA2,QAA6,QAPW QA2,QA26,QBE1,QBH,QBHS,QBLS,QBS,QH,QHB1,QHB3,QHB5,QHP1,QMH,QN,QP,QT QTD,QTN,QX,QXE,QXEK,QXE8,QXK,QXQ4,QXU,SH,SHE,SWE,SWE2,SWX,SWX2,SX,SXC SXE,SXE8,SXQ4,VSP,VTE5,VX,VXE,VXE8,VXK,VXU1,VX8
20	16954-ZE1-812	PLATE, LEVER SETTING .....	1	1	-----	LBHB,LH,LHB5,LHP1,LH2,LP,LT,LXE8,LXE9,LXU,PX,PXE8,PXU,QAA2,QAA6,QAPW QA2,QA26,QBE1,QBH,QBHS,QBLS,QBS,QH,QHB1,QHB3,QHB5,QHP1,QMH,QN,QP,QT QTD,QTN,QX,QXE,QXEK,QXE8,QXK,QXQ4,QXU,SH,SHE,SWE,SWE2,SWX,SWX2,SX,SXC SXE,SXE8,SXQ4,VSP,VTE5,VX,VXE,VXE8,VXK,VXU1,VX8
21	16956-ZE1-811	SPRING, COCK LEVER .....	1	1	-----	LBHB,LH,LHB5,LHP1,LH2,LP,LT,LXE8,LXE9,LXU,PX,PXE8,PXU,QAA2,QAA6,QAPW QA2,QA26,QBE1,QBH,QBHS,QBLS,QBS,QH,QHB1,QHB3,QHB5,QHP1,QMH,QN,QP,QT QTD,QTN,QX,QXE,QXEK,QXE8,QXK,QXQ4,QXU,SH,SHE,SWE,SWE2,SWX,SWX2,SX,SXC SXE,SXE8,SXQ4,VSP,VTE5,VX,VXE,VXE8,VXK,VXU1,VX8

Ref. No.	Part No.	Description	Reqd. QTY		Serial No.	Parts catalogue code
			GX 390 T1	GX 390 T2		
22	16957-ZE1-812	PACKING, FUEL COCK .....	1	1	-----	LBHB, LH, LHB5, LHP1, LH2, LP, LT, LXE8, LXE9, LXU, PX, PXE8, PXU, QAA2, QAA6, QAPW, QA2, QA26, QBE1, QBH, QBHS, QBL5, QBS, QH, QHB1, QHB3, QHB5, QHP1, QMH, QN, QP, QT, QTD, QTN, QX, QXE, QXEK, QXE8, QXK, QXQ4, QXU, SH, SHE, SWE, SWE2, SWX, SWX2, SX, SXC, SXE, SXE8, SXQ4, VSP, VTE5, VX, VXE, VXE8, VVK, VXU1, VX8
23	16967-ZE0-811	CUP, FUEL STRAINER .....	1	1	-----	LBHB, LH, LHB5, LHP1, LH2, LP, LT, LXE8, LXE9, LXU, PX, PXE8, PXU, QAA2, QAA6, QAPW, QA2, QA26, QBE1, QBH, QBHS, QBL5, QBS, QH, QHB1, QHB3, QHB5, QHP1, QMH, QN, QP, QT, QTD, QTN, QX, QXE, QXEK, QXE8, QXK, QXQ4, QXU, SH, SHE, SWE, SWE2, SWX, SWX2, SX, SXC, SXE, SXE8, SXQ4, VSP, VTE5, VX, VXE, VXE8, VVK, VXU1, VX8
24	93500-03006-1H	SCREW, PAN, 3X6 .....	2	2	-----	LBHB, LH, LHB5, LHP1, LH2, LP, LT, LXE8, LXE9, LXU, PX, PXE8, PXU, QAA2, QAA6, QAPW, QA2, QA26, QBE1, QBH, QBHS, QBL5, QBS, QH, QHB1, QHB3, QHB5, QHP1, QMH, QN, QP, QT, QTD, QTN, QX, QXE, QXEK, QXE8, QXK, QXQ4, QXU, SH, SHE, SWE, SWE2, SWX, SWX2, SX, SXC, SXE, SXE8, SXQ4, VSP, VTE5, VX, VXE, VXE8, VVK, VXU1, VX8
25	94050-06000	NUT, FLANGE, 6MM .....	2	-	-----	LP
26	94305-20122	PIN, SPRING, 2X12 .....	1	1	-----	LBHB, LH, LHB5, LHP1, LH2, LP, LT, LXE8, LXE9, LXU, PX, PXE8, PXU, QAA2, QAA6, QAPW, QA2, QA26, QBE1, QBH, QBHS, QBL5, QBS, QH, QHB1, QHB3, QHB5, QHP1, QMH, QN, QP, QT, QTD, QTN, QX, QXE, QXEK, QXE8, QXK, QXQ4, QXU, SH, SHE, SWE, SWE2, SWX, SWX2, SX, SXC, SXE, SXE8, SXQ4, VSP, VTE5, VX, VXE, VXE8, VVK, VXU1, VX8
27	99101-ZH8-0880	JET, MAIN, #88 .....	(1)	(1)	-----	LH, LHB5, LHP1, LH2, LXE8, LXE9, LXU, PX, PXE8, PXU, QAA2, QAA6, QA2, QA26, QH, QHB3, QHB5, QHP1, QMH, QX, QXE, QXEK, QXE8, QXK, QXQ4, QXU, SH, SHE, SX, SXC, SXE, SXE8, SXQ4
	99101-ZH8-0900	JET, MAIN, #90 .....	(1)	(1)	-----	LH, LHB5, LHP1, LH2, LXE8, LXE9, LXU, PX, PXE8, PXU, QAA2, QAA6, QA2, QA26, QH, QHB3, QHB5, QHP1, QMH, QX, QXE, QXEK, QXE8, QXK, QXQ4, QXU, SH, SHE, SX, SXC, SXE, SXE8, SXQ4, VX, VXE, VXE8, VVK, VXU1, VX8
	99101-ZH8-0920	JET, MAIN, #92 .....	(1)	-	-----	VSP
	99101-ZH8-0920	JET, MAIN, #92 .....	1	1	-----	LH, LHB5, LHP1, LH2, LXE8, LXE9, LXU, PX, PXE8, PXU, QAA2, QAA6, QA2, QA26, QH, QHB3, QHB5, QMH, QX, QXE, QXEK, QXE8, QXK, QXQ4, QXU, SH, SHE, SX, SXC, SXE, SXE8, SXQ4
			1	1	-----	QHP1
			(1)	(1)	-----	VX, VXE, VXE8, VVK, VXU1, VX8
			(1)	-	-----	VSP
	99101-ZH8-0950	JET, MAIN, #95 .....	1	1	-----	VX, VXE, VXE8, VVK, VXU1, VX8
			1	-	-----	VSP
			(1)	-	-----	QAPW
	99101-ZH8-0980	JET, MAIN, #98 .....	(1)	(1)	-----	QAPW
			-	(1)	-----	VSP
	99101-ZH8-1000	JET, MAIN, #100 .....	1	-	-----	QAPW
			(1)	(1)	-----	LT, QBE1, QBL5, QBS, QHB1, QN, QP, QT, QTD, QTN, SWE, SWE2, SWX, SWX2, VTE5
	99101-ZH8-1020	JET, MAIN, #102 .....	(1)	(1)	-----	LT, QBE1, QBL5, QBS, QHB1, QN, QP, QT, QTD, QTN, SWE, SWE2, SWX, SWX2, VTE5
			-	(1)	-----	QAPW, VSP
	99101-ZH8-1050	JET, MAIN, #105 .....	1	1	-----	LT, QBE1, QBL5, QBS, QHB1, QN, QP, QT, QTD, QTN, SWE, SWE2, SWX, SWX2, VTE5
			(1)	-	-----	LBHB, QBH, QBHS
			-	1	-----	QAPW, VSP
	99101-ZH8-1100	JET, MAIN, #110 .....	1	-	-----	LBHB, LP, QBH, QBHS
	99101-ZH8-1080	JET, MAIN, #108 .....	(1)	-	-----	LBHB, QBH, QBHS
28	99204-ZA0-0400	JET SET, PILOT, #40 .....	1	1	-----	LBHB, LP, LT, QBE1, QBH, QBHS, QBL5, QBS, QHB1, QN, QP, QT, QTD, QTN, SWE, SWE2, SWX, SWX2, VTE5
			1	-	-----	QAPW
	99204-ZA0-0450	JET SET, PILOT, #45 .....	1	1	-----	LH, LHB5, LHP1, LH2, LXE8, LXE9, LXU, PX, PXE8, PXU, QAA2, QAA6, QA2, QA26, QH, QHB3, QHB5, QHP1, QMH, QX, QXE, QXEK, QXE8, QXK, QXQ4, QXU, SH, SHE, SX, SXC, SXE, SXE8, SXQ4, VX, VXE, VXE8, VVK, VXU1, VX8
			1	-	-----	VSP
	99204-ZE0-0380	JET SET, PILOT, #38 .....	-	1	-----	QAPW, VSP
29	16016-ZH7-W01	SCREW SET, PILOT .....	1	1	-----	QAA2, QAA6, QAPW, QA2, QA26, QXQ4, SXQ4, VSP
30	16212-Z5T-000	PACKING, CARBURETOR INSULATOR	-	1	-----	QAPW, QHP1, VSP

# E-14-1

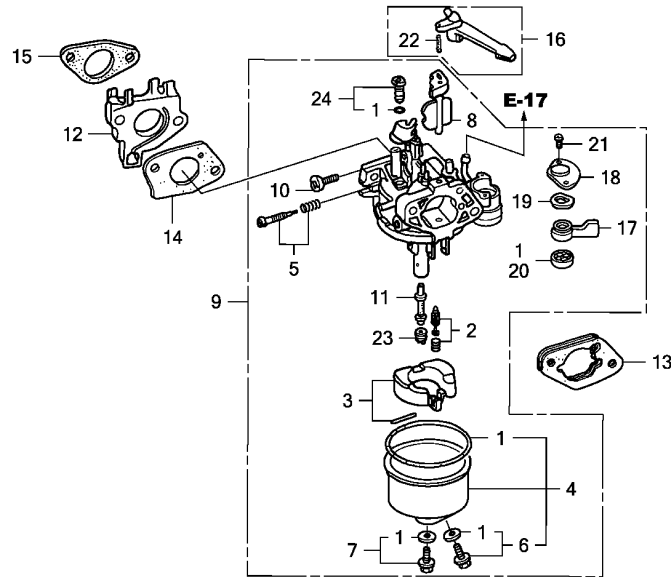
# CARBURETOR(2)



FR.   
Z1C0E1401A

Ref. No.	L.O.N.	(Relative ref. Number) Description	F.R.T.
1	3111B1	GASKET SET, CARBURETOR (3)	0.3
2	3111E1	VALVE SET, FLOAT AND/OR FLOAT SET	0.3
5	3111D7	SCREW SET, PILOT	0.2
9	3111F3	CARBURETOR (15)	0.2
12	3111C0	INSULATOR, CARBURETOR AND/OR PACKING, INSULATOR	0.2
14	3111C8	PACKING, CARBURETOR	0.2
16	8101F9	LEVER, CARBURETOR CHOKE (17,18,19)	0.2
20	3101C5	PACKING, FUEL COCK (11)	0.2
23	3111C3	JET, MAIN	0.3

Ref. No.	Part No.	Description	Reqd. QTY		Serial No.	Parts catalogue code
			GX 390 T1	GX 390 T2		
1	16010-ZE2-015	GASKET SET (EXCEPT 16173-001-004)	1	-	-----	SN
2	16011-ZA0-931	VALVE SET, FLOAT	1	-	-----	SN
3	16013-Z1C-003	FLOAT SET	1	-	-----	SN
4	16015-ZE8-005	CHAMBER SET, FLOAT	1	-	-----	SN
5	16016-ZE0-005	SCREW SET, PILOT	1	-	-----	SN
6	16024-ZE1-811	SCREW SET, DRAIN	1	-	-----	SN
7	16028-ZE0-005	SCREW SET	1	-	-----	SN
8	16044-ZE3-W20	CHOKE SET	1	-	-----	SN
9	16100-Z1C-W21	CARBURETOR ASSY. (BE86N A)	1	-	-----	SN
10	16124-ZE0-005	SCREW, THROTTLE STOP	1	-	-----	SN
11	16166-ZF6-W20	NOZZLE, MAIN	1	-	-----	SN
12	16211-ZF6-000	INSULATOR, CARBURETOR	1	-	-----	SN
13	16220-ZA0-702	SPACER COMP., CARBURETOR	1	-	-----	SN
14	16221-ZF6-800	PACKING, CARBURETOR	1	-	-----	SN
15	16223-ZE3-W00	PACKING, INSULATOR	1	-	-----	SN
16	16610-ZE1-000	LEVER COMP., CHOKE (STD.)	1	-	-----	SN
17	16953-ZE1-812	LEVER, COCK	1	-	-----	SN
18	16954-ZE1-812	PLATE, LEVER SETTING	1	-	-----	SN
19	16956-ZE1-811	SPRING, COCK LEVER	1	-	-----	SN
20	16957-ZE1-812	PACKING, FUEL COCK	1	-	-----	SN
21	93500-03006-1H	SCREW, PAN, 3X6	2	-	-----	SN
22	94305-20122	PIN, SPRING, 2X12	1	-	-----	SN
23	99101-ZH8-1000	JET, MAIN, #100	(1)	-	-----	SN
	99101-ZH8-1020	JET, MAIN, #102	(1)	-	-----	SN



Z1C0E1401A

2

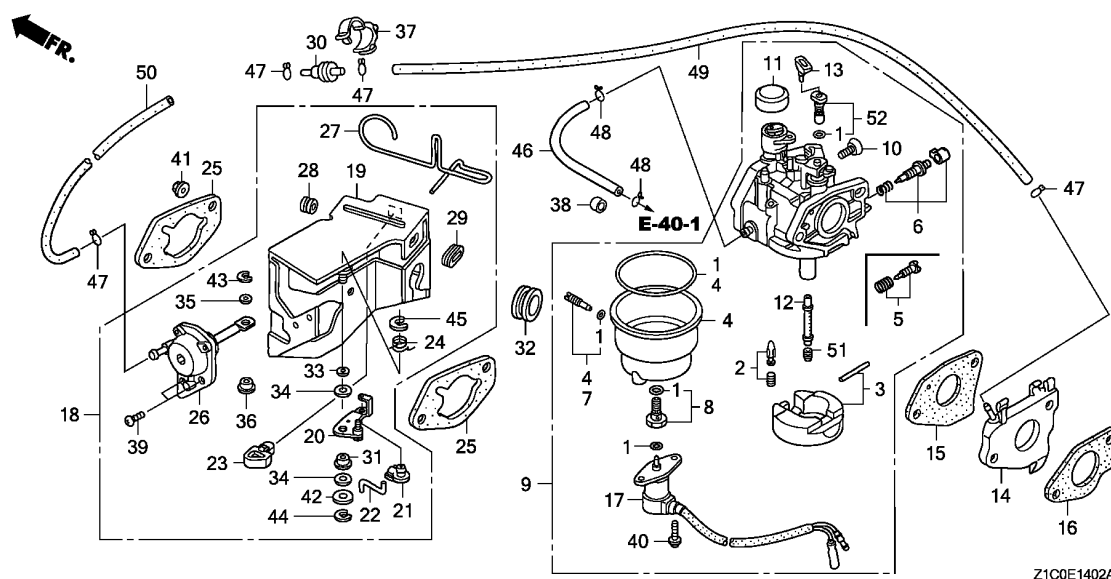
Ref. No.	Part No.	Description	Reqd. QTY		Serial No.	Parts catalogue code
			GX 390 T1	GX 390 T2		

23)	99101-ZH8-1050	JET, MAIN, #105 .....	1	-	-----	SN
24	99204-ZA0-0400	JET SET, PILOT, #40 .....	1	-	-----	SN

# E-14-2

# CARBURETOR(3)

# E13

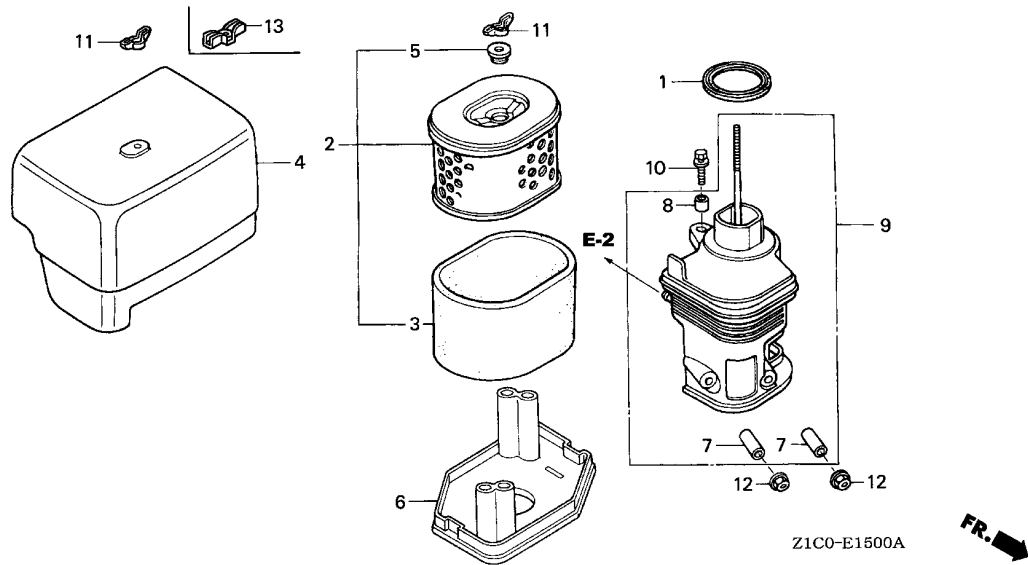


Ref. No.	L.O.N.	(Relative ref. Number) Description	F.R.T.
1	3111G1	GASKET SET, CARBURETOR(A) (3)	0.4
2	3111G6	VALVE SET, FLOAT AND/OR FLOAT SET(A)	0.4
4	3111A3	CHAMBER SET, FLOAT AND/OR GASKET, FLOAT CHAMBER (5)	0.4
6	3111D7	SCREW SET, PILOT	0.2
9	3111G7	CARBURETOR(A) (16)	0.3
14	3111G2	INSULATOR, CARBURETOR AND/OR PACKING, INSULATOR(A)	0.3
15	3111G5	PACKING, CARBURETOR(A)	0.3
17	6211C0	VALVE, CARBURETOR SOLENOID	0.2
18	8101R1	STAY, MANUAL CHOKE	0.3
25	3121D9	PACKING, AIR CLEANER	0.2
	3121D9A	.Replace carburetor side add	0.1
26	3111A7	DIAPHRAGM, CARBURETOR	0.3
27	8101Q2	ROD, CHOKE CONTROL	0.2
30	311175	VALVE, DASHPOT CHECK	0.1
46	3101F6	TUBE, FUEL (12)	0.1
51	3111G4	JET, MAIN(A)	0.4

Ref. No.	Part No.	Description	Reqd. QTY		Serial No.	Parts catalogue code
			GX 390 T1	GX 390 T2		
1	16010-ZE3-701	GASKET SET	1	1	ES2,ES3,VMQ3,VMT,VMT2,VMT3,VS3,VS4,VS5,VS6	
2	16011-ZA0-931	VALVE SET, FLOAT	1	1	ES2,ES3,VMQ3,VMT,VMT2,VMT3,VS3,VS4,VS5,VS6	
3	16013-Z1C-003	FLOAT SET	1	1	ES2,ES3,VMQ3,VMT,VMT2,VMT3,VS3,VS4,VS5,VS6	
4	16015-ZA0-931	CHAMBER SET, FLOAT	1	1	ES2,ES3,VMQ3,VMT,VMT2,VMT3,VS3,VS4,VS5,VS6	
5	16016-ZF6-D40	SCREW SET	1	1	VMQ3,VMT,VMT2,VMT3,VS3,VS4,VS5	
6	16016-ZH8-W01	SCREW SET	1	1	ES2,ES3,VS4,VS6	
7	16024-124-761	SCREW SET, DRAIN	1	1	ES2,ES3,VMQ3,VMT,VMT2,VMT3,VS3,VS4,VS5,VS6	
8	16028-ZA0-931	SCREW SET	1	1	ES2,ES3,VMQ3,VMT,VMT2,VMT3,VS3,VS4,VS5,VS6	
9	16100-Z1C-D41	CARBURETOR ASSY. (BE87L A)	1	1	VMQ3,VMT,VMT2,VMT3,VS3,VS4,VS5	
	16100-Z1C-741	CARBURETOR ASSY. (BE87K A)	1	1	ES2,ES3,VS4,VS6	
10	16124-ZE0-005	SCREW, THROTTLE STOP	1	1	ES2,ES3,VMQ3,VMT,VMT2,VMT3,VS3,VS4,VS5,VS6	
11	16148-141-881	CAP, CHOKE DUST	1	1	ES2,ES3,VMQ3,VMT,VMT2,VMT3,VS3,VS4,VS5,VS6	
12	16166-ZF6-005	NOZZLE, MAIN	1	1	ES2,ES3,VMQ3,VMT,VMT2,VMT3,VS3,VS4,VS5,VS6	
13	16172-ZE3-W10	COLLAR, SETTING	1	1	ES2,ES3,VMQ3,VMT,VMT2,VMT3,VS3,VS4,VS5,VS6	
14	16211-ZF6-D40	INSULATOR, CARBURETOR	1	1	ES2,ES3,VMQ3,VMT,VMT2,VMT3,VS3,VS4,VS5,VS6	
15	16221-ZF6-800	PACKING, CARBURETOR	1	1	ES2,ES3,VMQ3,VMT,VMT2,VMT3,VS3,VS4,VS5,VS6	
16	16223-ZE3-W00	PACKING, INSULATOR	1	1	ES2,ES3,VMQ3,VMT,VMT2,VMT3,VS3,VS4,VS5,VS6	
17	16230-ZE3-702	VALVE ASSY., SOLENOID	1	1	ES2,ES3,VMQ3,VMT,VMT2,VMT3,VS3,VS4,VS5,VS6	
18	16260-ZE2-723	STAY ASSY., MANUAL CHOKE	1	1	ES2,ES3,VMQ3,VMT,VMT2,VMT3,VS3,VS4,VS5,VS6	
19	16261-ZE2-702	STAY COMP., SOLENOID	1	1	ES2,ES3,VMQ3,VMT,VMT2,VMT3,VS3,VS4,VS5,VS6	
20	16262-ZE2-711	LEVER, CHOKE	1	1	ES2,ES3,VMQ3,VMT,VMT2,VMT3,VS3,VS4,VS5,VS6	
21	16263-ZA0-000	JOINT, ROD	1	1	ES2,ES3,VMQ3,VMT,VMT2,VMT3,VS3,VS4,VS5,VS6	
22	16264-ZE2-701	ROD, CHOKE	1	1	ES2,ES3,VMQ3,VMT,VMT2,VMT3,VS3,VS4,VS5,VS6	
23	16265-ZE2-721	STOPPER, CHOKE ROD	1	1	ES2,ES3,VMQ3,VMT,VMT2,VMT3,VS3,VS4,VS5,VS6	
24	16268-ZE2-721	SPRING, MANUAL CHOKE	1	1	ES2,ES3,VMQ3,VMT,VMT2,VMT3,VS3,VS4,VS5,VS6	

Ref. No.	Part No.	Description	Reqd. QTY		Serial No.	Parts catalogue code
			GX 390 T1	GX 390 T2		
25	16269-ZA0-800	PACKING, AIR CLEANER .....	2	2	-----	ES2,ES3,VMQ3,VMT,VMT2,VMT3,VS3,VS4,VS5,VS6
26	16400-ZE2-704	DIAPHRAGM ASSY. ....	1	1	-----	ES2,ES3,VMQ3,VMT,VMT2,VMT3,VS3,VS4,VS5,VS6
27	16611-ZE2-711	ROD, CHOKE CONTROL .....	1	1	-----	ES2,ES3,VMQ3,VMT,VMT2,VMT3,VS3,VS4,VS5,VS6
28	16613-893-000	GROMMET, CHOKE ROD .....	1	1	-----	ES2,ES3,VMQ3,VMT,VMT2,VMT3,VS3,VS4,VS5,VS6
29	16615-893-000	GUIDE, CHOKE ROD .....	1	1	-----	ES2,ES3,VMQ3,VMT,VMT2,VMT3,VS3,VS4,VS5,VS6
30	36135-ZF6-D41	VALVE, DASHPOT CHECK .....	1	1	-----	ES2,ES3,VMQ3,VMT,VMT2,VMT3,VS3,VS4,VS5,VS6
31	53149-964-003	BUSH, ARM PIVOT .....	1	1	-----	ES2,ES3,VMQ3,VMT,VMT2,VMT3,VS3,VS4,VS5,VS6
32	88911-MJ3-000	GROMMET, FENDER .....	1	1	-----	ES2,ES3,VMQ3,VMT,VMT2,VMT3,VS3,VS4,VS5,VS6
33	90431-ZE2-700	WASHER, CHOKE LEVER .....	1	1	-----	ES2,ES3,VMQ3,VMT,VMT2,VMT3,VS3,VS4,VS5,VS6
34	90432-ZE2-700	SEAL, CHOKE LEVER .....	2	2	-----	ES2,ES3,VMQ3,VMT,VMT2,VMT3,VS3,VS4,VS5,VS6
35	90433-ZE2-700	WASHER, THRUST, 2.7X8 .....	1	1	-----	ES2,ES3,VMQ3,VMT,VMT2,VMT3,VS3,VS4,VS5,VS6
36	90434-ZE2-700	COLLAR, LEVER .....	1	1	-----	ES2,ES3,VMQ3,VMT,VMT2,VMT3,VS3,VS4,VS5,VS6
37	90650-SD9-003	CLIP, WIRE HARNESS .....	1	1	-----	ES2,ES3,VMQ3,VMT,VMT2,VMT3,VS3,VS4,VS5,VS6
38	90854-ZB2-000	RUBBER, FUEL (9X15X10) .....	1	1	-----	ES2,ES3,VMQ3,VMT,VMT2,VMT3,VS3,VS4,VS5,VS6
39	93500-05012-0A	SCREW, PAN, 5X12 .....	2	2	-----	ES2,ES3,VMQ3,VMT,VMT2,VMT3,VS3,VS4,VS5,VS6
40	93892-05012-18	SCREW-WASHER, 5X12 .....	2	2	-----	ES2,ES3,VMQ3,VMT,VMT2,VMT3,VS3,VS4,VS5,VS6
41	94050-06000	NUT, FLANGE, 6MM .....	2	2	-----	ES2,ES3,VMQ3,VMT,VMT2,VMT3,VS3,VS4,VS5,VS6
42	94103-05000	WASHER, PLAIN, 5MM .....	1	1	-----	ES2,ES3,VMQ3,VMT,VMT2,VMT3,VS3,VS4,VS5,VS6
43	94540-02010	E-RING, 2MM .....	1	1	-----	ES2,ES3,VMQ3,VMT,VMT2,VMT3,VS3,VS4,VS5,VS6
44	94540-04010	E-RING, 4MM .....	1	1	-----	ES2,ES3,VMQ3,VMT,VMT2,VMT3,VS3,VS4,VS5,VS6
45	94540-07010	E-RING, 7MM .....	1	1	-----	ES2,ES3,VMQ3,VMT,VMT2,VMT3,VS3,VS4,VS5,VS6
46	95001-45150-40	TUBE, FUEL, 4.5X150 (95001-45001-60M)	1	1	-----	ES2,ES3,VS3,VS4,VS5,VS6
	95001-45250-40	TUBE, FUEL, 4.5X250 (95001-45001-60M)	1	1	-----	VMQ3,VMT,VMT2,VMT3
47	95002-02070	CLIP, TUBE (B7) .....	4	4	-----	ES2,ES3,VMQ3,VMT,VMT2,VMT3,VS3,VS4,VS5,VS6
48	95002-02080	CLIP, TUBE (B8) .....	2	2	-----	ES2,ES3,VMQ3,VMT,VMT2,VMT3,VS3,VS4,VS5,VS6
49	95005-35075-10	TUBE, 3.5X75(95005-35001-10M)	1	1	-----	ES2,ES3,VMQ3,VMT,VMT2,VMT3,VS3,VS4,VS5,VS6
50	95005-35130-10	TUBE, 3.5X130(95005-35001-10M)	1	1	-----	ES2,ES3,VMQ3,VMT,VMT2,VMT3,VS3,VS4,VS5,VS6
51	99101-ZH8-0980	JET, MAIN, #98 .....	(1)	(1)	-----	ES2,ES3,VMQ3,VMT,VMT2,VMT3,VS3,VS4,VS5,VS6
	99101-ZH8-1000	JET, MAIN, #100 .....	(1)	(1)	-----	ES2,ES3,VMQ3,VMT,VMT2,VMT3,VS3,VS4,VS5,VS6
	99101-ZH8-1020	JET, MAIN, #102 .....	1	1	-----	ES2,ES3,VMQ3,VMT,VMT2,VMT3,VS3,VS4,VS5,VS6
52	99204-ZA0-0450	JET SET, PILOT, #45 .....	1	1	-----	ES2,ES3,VMQ3,VMT,VMT2,VMT3,VS3,VS4,VS5,VS6





Ref. No.	L.O.N.	(Relative ref. Number) Description	F.R.T.
1	3121E1	PACKING, ELBOW .....	0.1
2	3121B8	ELEMENT, AIR CLEANER .....	0.1
		.INCLUDES: Air cleaner element -inspection	
3	3121C1	FILTER, OUTER .....	0.1
		.INCLUDES: Outer filter-inspection	
6	3121D6	NOSE, SILENCER .....	0.1
9	3121B4	ELBOW, AIR CLEANER .....	0.1

Ref. No.	Part No.	Description	Reqd. QTY		Serial No.	Parts catalogue code
			GX 390 T1	GX 390 T2		
1	16271-ZE2-010	PACKING, ELBOW .....	1	1	-----	LH,LHB5,LHP1,LH2,LXE8,LXE9,LXU,PX,PXE8,PXU,QAA2,QAA6,QA2,QA26,QH,QHB3,QHB5,QMH,QN,QX,QXE,QXEK,QXE8,QXK,QXQ4,QXU,SH,SHE,SN,SX,SXC,SXE,SXE8,SXQ4,VTE5,VX,VXE,VXE8,VXK,VXU1,VX8
			1	-	-----	QHP1,VSP
2	17210-ZE3-010	ELEMENT, AIR CLEANER .....	1	1	-----	LH,LHB5,LHP1,LH2,LXE8,LXE9,LXU,PX,PXE8,PXU,QAA2,QAA6,QA2,QA26,QH,QHB3,QHB5,QMH,QN,QX,QXE,QXEK,QXE8,QXK,QXQ4,QXU,SH,SHE,SN,SX,SXC,SXE,SXE8,SXQ4,VTE5,VX,VXE,VXE8,VXK,VXU1,VX8
			1	-	-----	QHP1,VSP
3	17218-ZE3-000	FILTER, OUTER .....	1	1	-----	LH,LHB5,LHP1,LH2,LXE8,LXE9,LXU,PX,PXE8,PXU,QAA2,QAA6,QA2,QA26,QH,QHB3,QHB5,QMH,QN,QX,QXE,QXEK,QXE8,QXK,QXQ4,QXU,SH,SHE,SN,SX,SXC,SXE,SXE8,SXQ4,VTE5,VX,VXE,VXE8,VXK,VXU1,VX8
			1	-	-----	QHP1,VSP
4	17231-ZE3-W01	COVER, AIR CLEANER .....	1	1	-----	LH,LHB5,LHP1,LH2,LXE8,LXE9,LXU,PX,PXE8,PXU,QAA2,QAA6,QA2,QA26,QH,QHB3,QHB5,QMH,QN,QX,QXE,QXEK,QXE8,QXK,QXQ4,QXU,SH,SHE,SN,SX,SXC,SXE,SXE8,SXQ4,VTE5,VX,VXE,VXE8,VXK,VXU1,VX8
			1	-	-----	QHP1,VSP
5	17232-891-000	GROMMET, AIR CLEANER .....	1	1	-----	LH,LHB5,LHP1,LH2,LXE8,LXE9,LXU,PX,PXE8,PXU,QAA2,QAA6,QA2,QA26,QH,QHB3,QHB5,QMH,QN,QX,QXE,QXEK,QXE8,QXK,QXQ4,QXU,SH,SHE,SN,SX,SXC,SXE,SXE8,SXQ4,VTE5,VX,VXE,VXE8,VXK,VXU1,VX8
			1	-	-----	QHP1,VSP
6	17235-ZH9-N00	NOSE, SILENCER .....	1	-	1248887	LH,LHB5,LHP1,LXE8,LXU,PX,PXE8,PXU,QAA2,QAA6,QA2,QA26,QH,QHB3,QHB5,QHP1,QMH,QX,QXE,QXE8,QXQ4,QXU,SH,SHE,SN,SX,SXC,SXE,SXE8,SXQ4,VTE5,VX,VXE,VXE8,VXU1,VX8

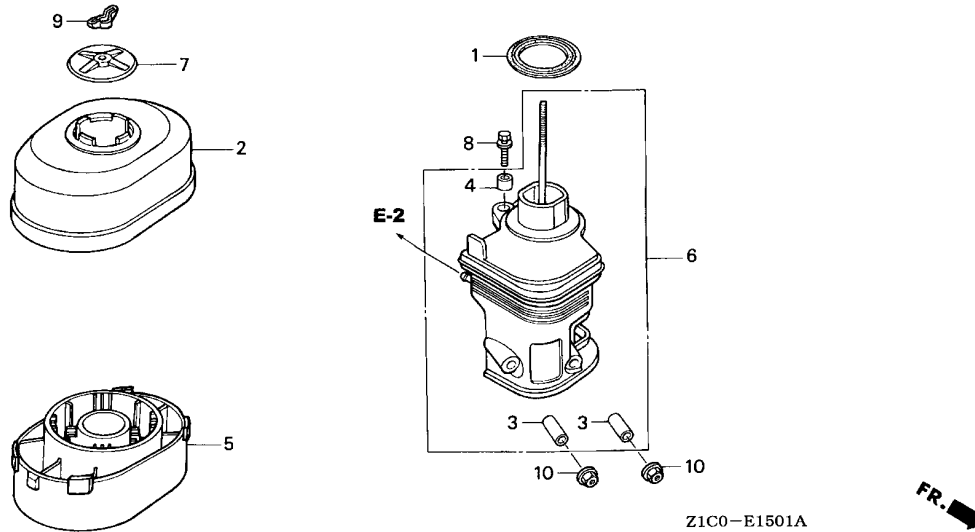
Ref. No.	Part No.	Description	Reqd. QTY		Serial No.	Parts catalogue code
			GX 390 T1	GX 390 T2		
(6)	17235-ZH9-N01	NOSE, SILENCER .....	1	1	-----	LH2,LXE9,QN,QXEK,QXK,VXK
			1	-	-----	VSP
			1	-	1248888	LH,LHB5,LHP1,LXE8,LXU,PX,PXE8,PXU,QAA2,QAA6,QA2,QA26,QH,QHB3,QHB5,QHP1,QMH,QX,QXE,QXE8,QXQ4,QXU,SH,SHE,SN,SX,SXC,SXE,SXE8,SXQ4,VTE5,VX,VXE,VXE8,VXU1,VX8
7	17238-ZE2-310	COLLAR, AIR CLEANER .....	-	1	-----	LH,LHB5,LHP1,PX,QH,QHB3,QHB5,QMH,QX,QXE,SH,SX,SXC,VTE5,VX,VXE,VXU1
			2	2	-----	LH,LHB5,LHP1,LH2,LXE8,LXE9,LXU,PX,PXE8,PXU,QAA2,QAA6,QA2,QA26,QH,QHB3,QHB5,QMH,QN,QX,QXE,QXEK,QXE8,QXK,QXQ4,QXU,SH,SHE,SN,SX,SXC,SXE,SXE8,SXQ4,VTE5,VX,VXE,VXE8,VXK,VXU1,VX8
8	17239-ZE1-000	COLLAR B, AIR CLEANER .....	2	-	-----	QHP1,VSP
			1	1	-----	LH,LHB5,LHP1,LH2,LXE8,LXE9,LXU,PX,PXE8,PXU,QAA2,QAA6,QA2,QA26,QH,QHB3,QHB5,QMH,QN,QX,QXE,QXEK,QXE8,QXK,QXQ4,QXU,SH,SHE,SN,SX,SXC,SXE,SXE8,SXQ4,VTE5,VX,VXE,VXE8,VXK,VXU1,VX8
9	17410-ZH9-N00	ELBOW COMP., AIR CLEANER ....	1	-	-----	QHP1,VSP
			1	1	-----	LH,LHB5,LHP1,LH2,LXE8,LXE9,LXU,PX,PXE8,PXU,QAA2,QAA6,QA2,QA26,QH,QHB3,QHB5,QMH,QN,QX,QXE,QXEK,QXE8,QXK,QXQ4,QXU,SH,SHE,SN,SX,SXC,SXE,SXE8,SXQ4,VTE5,VX,VXE,VXE8,VXK,VXU1,VX8
			1	-	-----	QHP1,VSP
10	90009-Z1C-000	BOLT-WASHER, 6X22 .....	1	1	-----	LH,LHB5,LHP1,LH2,LXE8,LXE9,LXU,PX,PXE8,PXU,QAA2,QAA6,QA2,QA26,QH,QHB3,QHB5,QMH,QN,QX,QXE,QXEK,QXE8,QXK,QXQ4,QXU,SH,SHE,SN,SX,SXC,SXE,SXE8,SXQ4,VTE5,VX,VXE,VXE8,VXK,VXU1,VX8
			1	-	-----	QHP1,VSP
11	90325-044-000	NUT, TOOL BOX SETTING .....	1	-	-----	QAA2,QAA6,QA2,QA26
			2	2	-----	LH,LHB5,LHP1,LH2,LXE8,LXE9,LXU,PX,PXE8,PXU,QH,QHB3,QHB5,QMH,QN,QX,QXE,QXEK,QXE8,QXK,QXQ4,QXU,SH,SHE,SN,SX,SXC,SXE,SXE8,SXQ4,VTE5,VX,VXE,VXE8,VXK,VXU1,VX8
			2	-	-----	QHP1,VSP
12	94050-06000	NUT, FLANGE, 6MM .....	2	2	-----	LH,LHB5,LHP1,LH2,LXE8,LXE9,LXU,PX,PXE8,PXU,QAA2,QAA6,QA2,QA26,QH,QHB3,QHB5,QMH,QN,QX,QXE,QXEK,QXE8,QXK,QXQ4,QXU,SH,SHE,SN,SX,SXC,SXE,SXE8,SXQ4,VTE5,VX,VXE,VXE8,VXK,VXU1,VX8
			2	-	-----	QHP1,VSP
13	90203-ZA0-800	NUT, WING, 6MM(BLACK) .....	1	-	-----	QAA2,QAA6,QA2,QA26



E-15-1

AIR CLEANER(OIL BATH)

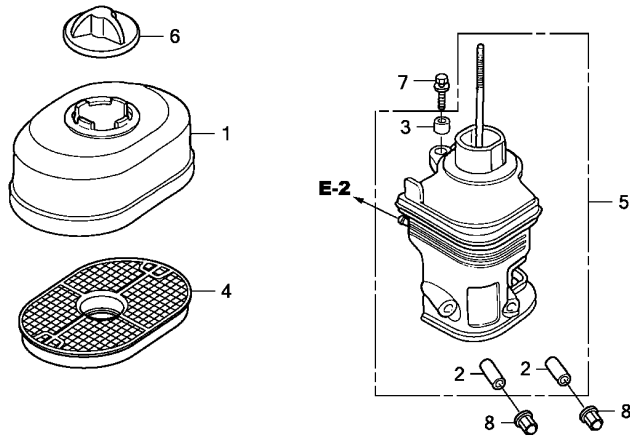
F 1



Ref. No.	L.O.N.	(Relative ref. Number) Description	F.R.T.
1	3121E1	PACKING, ELBOW .....	0.1
5	3121E5	PAN, AIR CLEANER OIL .....	0.1
6	3121B4	ELBOW, AIR CLEANER .....	0.1

2

Ref. No.	Part No.	Description	Reqd. QTY		Serial No.	Parts catalogue code
			GX 390 T1	GX 390 T2		
1	16271-ZE2-010	PACKING, ELBOW .....	1	1	-----	LT,QBE1,QHB1,QP,QT,QTD,QTN,SWE,SWE2,SWX,SWX2
2	17230-ZE3-811	COVER COMP., AIR CLEANER (OIL BATH)	1	1	-----	LT,QBE1,QHB1,QP,QT,QTD,QTN,SWE,SWE2,SWX,SWX2
3	17238-ZE2-310	COLLAR, AIR CLEANER .....	2	2	-----	LT,QBE1,QHB1,QP,QT,QTD,QTN,SWE,SWE2,SWX,SWX2
4	17239-ZE1-000	COLLAR B, AIR CLEANER .....	1	1	-----	LT,QBE1,QHB1,QP,QT,QTD,QTN,SWE,SWE2,SWX,SWX2
5	17402-ZE3-810	PAN, CLEANER OIL (OIL BATH)	1	1	-----	LT,QBE1,QHB1,QP,QT,QTD,QTN,SWE,SWE2,SWX,SWX2
6	17410-ZE3-010	ELBOW COMP., AIR CLEANER .....	1	1	-----	LT,QBE1,QHB1,QP,QT,QTD,QTN,SWE,SWE2,SWX,SWX2
7	17420-ZE3-810	CAP COMP., AIR CLEANER .....	1	1	-----	LT,QBE1,QHB1,QP,QT,QTD,QTN,SWE,SWE2,SWX,SWX2
8	90009-Z1C-000	BOLT-WASHER, 6X22 .....	1	1	-----	LT,QBE1,QHB1,QP,QT,QTD,QTN,SWE,SWE2,SWX,SWX2
9	90325-044-000	NUT, TOOL BOX SETTING .....	1	1	-----	LT,QBE1,QHB1,QP,QT,QTD,QTN,SWE,SWE2,SWX,SWX2
10	94050-06000	NUT, FLANGE, 6MM .....	2	2	-----	LT,QBE1,QHB1,QP,QT,QTD,QTN,SWE,SWE2,SWX,SWX2



FR. →  
Z1C0E1502

Ref. No.	L.O.N.	(Relative ref. Number) Description	F.R.T.
4	3121Q5	GRID, AIR CLEANER .....	0.1
5	3121B4	ELBOW, AIR CLEANER .....	0.1

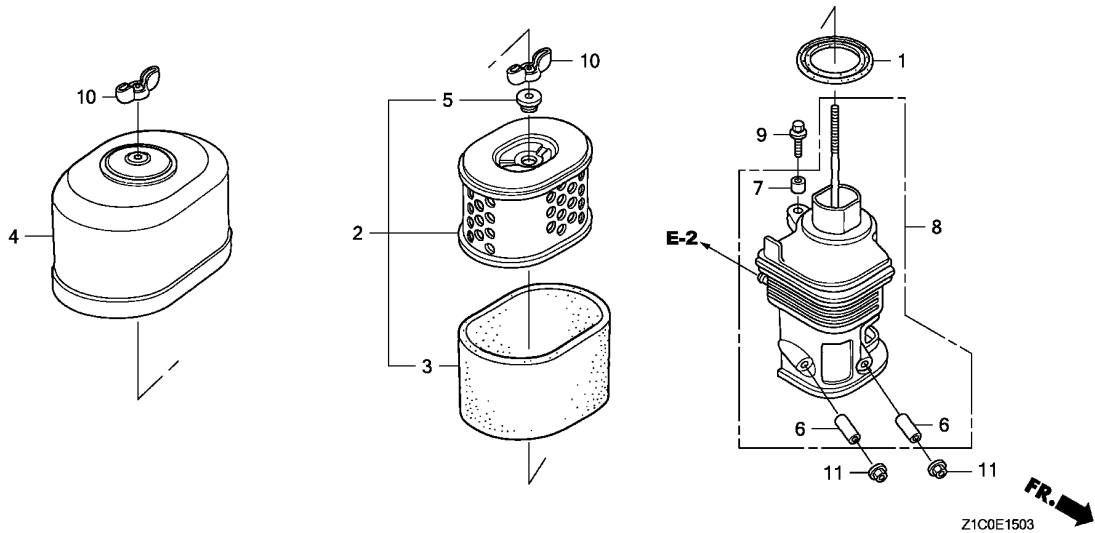
Ref. No.	Part No.	Description	Reqd. QTY		Serial No.	Parts catalogue code
			GX 390 T1	GX 390 T2		
1	17231-ZE2-000	COVER, AIR CLEANER (SEMI DRY)	1	-	-----	LBHB, QBH, QBHS, QBL S, QBS
2	17238-ZE2-310	COLLAR, AIR CLEANER .....	2	-	-----	LBHB, QBH, QBHS, QBL S, QBS
3	17239-ZE1-000	COLLAR B, AIR CLEANER .....	1	-	-----	LBHB, QBH, QBHS, QBL S, QBS
4	17250-Z1C-810	GRID, AIR CLEANER .....	1	-	-----	LBHB, QBH, QBHS, QBL S, QBS
5	17410-ZE2-020	ELBOW COMP., AIR CLEANER ....	1	-	-----	LBHB, QBH, QBHS, QBL S, QBS
6	17420-Z0T-800	CAP COMP., AIR CLEANER .....	1	-	-----	LBHB, QBH, QBHS, QBL S, QBS
7	90001-Z0V-800	BOLT, FLANGE, 6X18 .....	1	-	-----	LBHB, QBH, QBHS, QBL S, QBS
8	90304-438-000	NUT, CAP, 6MM .....	2	-	-----	LBHB, QBH, QBHS, QBL S, QBS



E-15-3

AIR CLEANER(STANDARD)

F 3



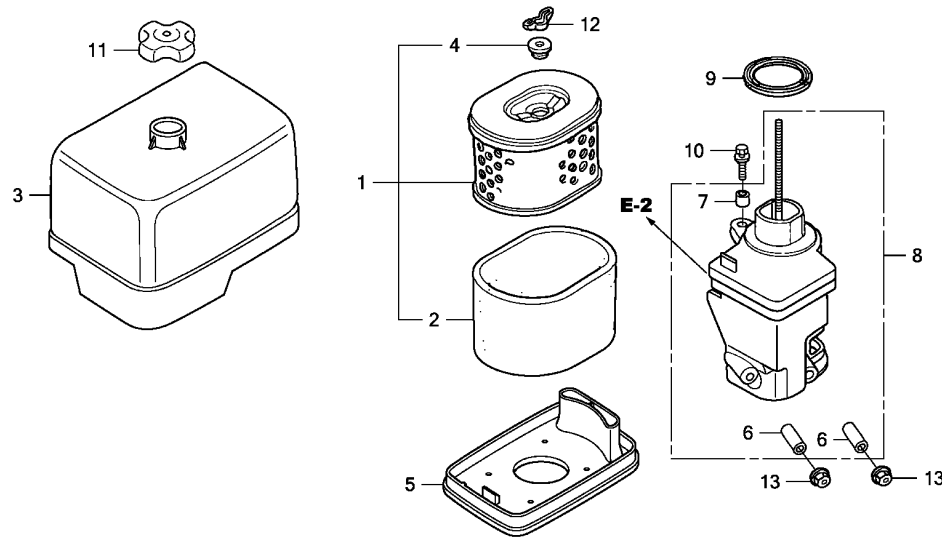
Ref. No.	L.O.N.	(Relative ref. Number) Description	F.R.T.
1	3121E1	PACKING, ELBOW .....	0.1
2	3121B8	ELEMENT, AIR CLEANER .....	0.1
		.INCLUDES: Air cleaner element -inspection	
3	3121C1	FILTER, OUTER .....	0.1
		.INCLUDES: Outer filter-inspection	
8	3121B4	ELBOW, AIR CLEANER .....	0.1

Ref. No.	Part No.	Description	Reqd. QTY		Serial No.	Parts catalogue code
			GX 390 T1	GX 390 T2		
1	16271-ZE2-010	PACKING, ELBOW .....	1	-	-----	QAPW
2	17210-ZE3-010	ELEMENT, AIR CLEANER .....	1	-	-----	QAPW
3	17218-ZE3-000	FILTER, OUTER .....	1	-	-----	QAPW
4	17230-ZE3-000	COVER, AIR CLEANER (STD.) ...	1	-	-----	QAPW
5	17232-891-000	GROMMET, AIR CLEANER .....	1	-	-----	QAPW
6	17238-ZE2-310	COLLAR, AIR CLEANER .....	2	-	-----	QAPW
7	17239-ZE1-000	COLLAR B, AIR CLEANER .....	1	-	-----	QAPW
8	17410-ZE3-010	ELBOW COMP., AIR CLEANER ...	1	-	-----	QAPW
9	90009-Z1C-000	BOLT-WASHER, 6X22 .....	1	-	-----	QAPW
10	90325-044-000	NUT, TOOL BOX SETTING .....	2	-	-----	QAPW
11	94050-06000	NUT, FLANGE, 6MM .....	2	-	-----	QAPW

E-15-4

AIR CLEANER(SILENT)(2)

F 4



Ref. No.	L.O.N.	(Relative ref. Number) Description	F.R.T.
1	3121B8	ELEMENT, AIR CLEANER ..... .INCLUDES: Air cleaner element -inspection	0.1
2	3121C1	FILTER, OUTER ..... .INCLUDES: Outer filter-inspection	0.1
8	3121B4	ELBOW, AIR CLEANER ..... 0.1	
9	3121R3	PACKING, AIR CLEANER CASE .... 0.1	

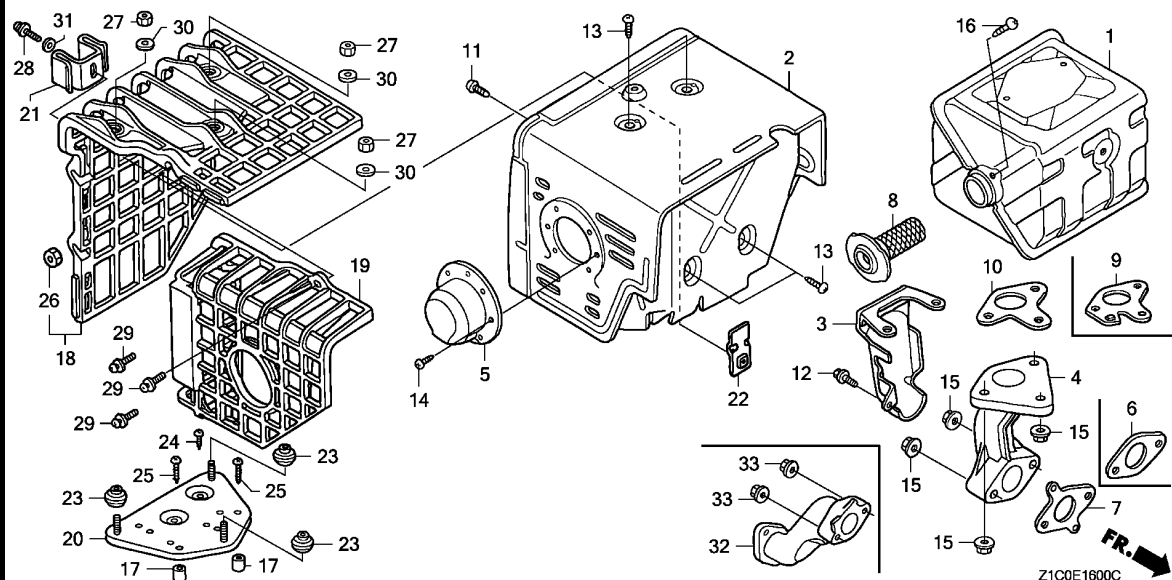
Ref. No.	Part No.	Description	Reqd. QTY		Serial No.	Parts catalogue code
			GX 390 T1	GX 390 T2		
1	17210-ZE3-010	ELEMENT, AIR CLEANER .....	-	1	-----	QAPW,QHP1,VSP
2	17218-ZE3-000	FILTER, OUTER .....	-	1	-----	QAPW,QHP1,VSP
3	17231-Z5T-000	COVER, AIR CLEANER CASE .....	-	1	-----	QAPW,QHP1,VSP
4	17232-891-000	GROMMET, AIR CLEANER .....	-	1	-----	QAPW,QHP1,VSP
5	17235-Z5T-000	NOSE, SILENCER .....	-	1	-----	QAPW,QHP1,VSP
6	17238-ZE2-310	COLLAR, AIR CLEANER .....	-	2	-----	QAPW,QHP1,VSP
7	17239-ZE1-000	COLLAR B, AIR CLEANER .....	-	1	-----	QAPW,QHP1,VSP
8	17410-Z5T-000	ELBOW COMP., AIR CLEANER .....	-	1	-----	QAPW,QHP1,VSP
9	17417-Z5T-000	PACKING, AIR CLEANER CASE .....	-	1	-----	QAPW,QHP1,VSP
10	90009-Z1C-000	BOLT-WASHER, 6X22 .....	-	1	-----	QAPW,QHP1,VSP
11	90202-Z2E-000	NUT, AIR CLEANER COVER .....	-	1	-----	QAPW,QHP1,VSP
12	90325-044-000	NUT, TOOL BOX SETTING .....	-	1	-----	QAPW,QHP1,VSP
13	94050-06000	NUT, FLANGE, 6MM .....	-	2	-----	QAPW,QHP1,VSP

2

E-16

MUFFLER(1)

F 5



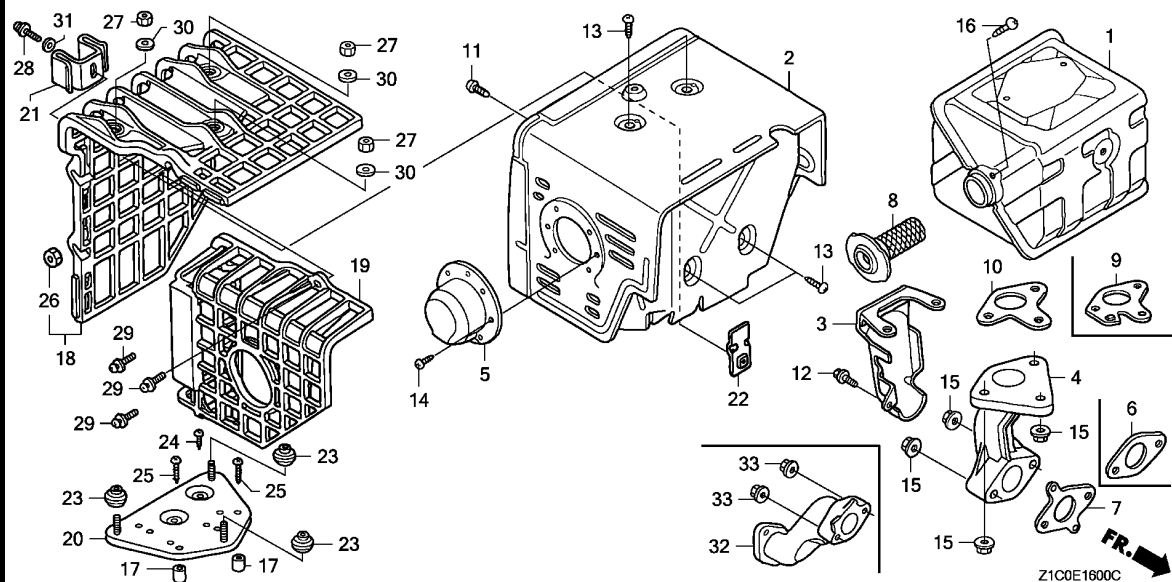
Ref. No.	L.O.N.	(Relative ref. Number) Description	F.R.T.
1	3131C5	MUFFLER, EXHAUST .....	0.2
2	3131D6	PROTECTOR, EXHAUST MUFFLER ... (32)	0.2
4	3131C9	PIPE, EXHAUST .....	0.2
7		(6)	
	3131B5	GASKET, EXHAUST PIPE .....	0.2
8	3131A1	ARRESTER, SPARK .....	0.2
10		(9)	
	3131B4	GASKET, EXHAUST MUFFLER .....	0.2
18	3131A7	COVER, EXHAUST MUFFLER .....	0.1
19	3131A6	COVER, EXHAUST MUFFLER :REAR ..	0.1
20	3131A2	BASE, EXHAUST MUFFLER COVER ..	0.2

Z1C0E1600C

Ref. No.	Part No.	Description	Reqd. QTY		Serial No.	Parts catalogue code
			GX 390 T1	GX 390 T2		
1	18310-ZE2-W61	MUFFLER COMP. (100DB) .....	1	1	-----	LH,LHB5,LHP1,LH2,LT,LXE8,LXE9,LXU,PX,PXE8,PXU,QAA2,QAA6,QA2,QA26,QBE1,QH,QHB1,QHB3,QHB5,QMH,QN,QP,QT,QTN,QX,QXE,QXEK,QXE8,QXK,QXQ4,QXU,SH,SHE,SN,SWE,SWE2,SWX,SWX2,SX,SXC,SXE,SXE8,SXQ4,VTE5,VX,VXE,VXE8,VXK,VXU1,VX8
2	18320-ZE2-W61	PROTECTOR COMP., MUFFLER ....	1	-	-----	QAPW,QHP1,VSP
	18320-ZE2-W62	.....	-	1	-----	LH,LHB5,LHP1,LH2,LXE9,PX,QBE1,QH,QHB1,QHB3,QHB5,QMH,QN,QP,QX,QXE,QXEK,QXK,SH,SWE2,SWX,SWX2,SX,SXC,SXE,SXE8,SXQ4,VSP,VTE5,VX,VXE,VXK,VXU1
3	18323-ZE3-W40	PROTECTOR, EX. PIPE .....	1	-	-----	LT,QAA2,QAA6,QAPW,QA2,QA26
4	18330-ZE2-W00	PIPE, EX. ....	1	1	-----	LH,LHB5,LHP1,LH2,LT,LXE8,LXE9,LXU,PX,PXE8,PXU,QAA2,QAA6,QA2,QA26,QBE1,QH,QHB1,QHB3,QHB5,QMH,QN,QP,QT,QTN,QX,QXE,QXEK,QXE8,QXK,QXQ4,QXU,SH,SHE,SN,SWE,SWE2,SWX,SWX2,SX,SXC,SXE,SXE8,SXQ4,VTE5,VX,VXE,VXE8,VXK,VXU1,VX8
5	18331-ZE3-810	CAP, MUFFLER .....	1	-	-----	QAPW,QHP1,VSP
			1	-	1443262	QA2,QA26
	18331-ZE3-811	.....	1	1	-----	LT,QMH,QP,QT,SWX
			1	-	1443263	QN,QTN,SWX2
			-	1	-----	LT,QMH,QP,QT,SWX
6	18333-ZE3-800	GASKET, EX. PIPE .....	1	-	1324128	LP
	18333-Z1C-801	.....	1	-	1324129	LP

Ref. No.	Part No.	Description	Reqd. QTY		Serial No.	Parts catalogue code
			GX 390 T1	GX 390 T2		
7	18333-ZF6-W01	GASKET, EX. PIPE .....	1	1	-----	ES2,ES3,LH,LHB5,LHP1,LH2,LT,LXE8,LXE9,LXU,PX,PXE8,PXU,QAA2,QAA6,QA2,QA26,QBE1,QH,QHB1,QHB3,QHB5,QMH,QN,QP,QT,QTN,QX,QXE,QXEK,QXE8,QXK,QXQ4,QXU,SH,SHE,SN,SWE,SWE2,SWX,SWX2,SX,SXC,SXE,SXE8, SXQ4,VMQ3,VMT VMT2,VMT3, VSB3, VSB4, VSB5, VS4, VS6, VTE5, VX, VXE, VXE8, VVK, VXU1, VX8
8	18355-ZE2-W00	ARRESTER, SPARK .....	1	-	-----	QAPW,QHP1,VSP
			(1)	(1)	-----	QA2,QA26
			(1)	-	-----	LXE9,LXU,QBE1,QHB1
			(1)	-	-----	QAPW
9	18381-ZE2-W10	GASKET, MUFFLER (ARRESTER) (NI PPON LEAKLE	1	-	-----	QA2,QA26
			(1)	(1)	-----	LXE9,LXU,QBE1,QHB1
			(1)	-	-----	QAPW
10	18381-ZE2-800	GASKET, MUFFLER (NIPPON LEAKLESS)	1	-	-----	LXE8,LXU,PXE8,PXU,QAA2,QAA6,QXE8,QXQ4,QXU,SXE8, SXQ4, VXE8, VX8
			1	-	1337116	LH,LHB5,LHP1,LT,PX,QH,QHB3,QHB5,QHP1,QMH,QP,QT,QX,QXE,SH,SHE,SN,SWE SWX,SX,SXC,SXE,VTE5,VX,VXE,VXU1
	18381-Z1C-801	GASKET, MUFFLER (THAI LEAKLESS)	1	1	-----	LH2,LXE9,QBE1,QHB1,QN,QTN,QXEK,QXK,SWE2,SWX2,VXK
			1	-	-----	QAPW,VSP
			1	-	1337117	LH,LHB5,LHP1,LT,PX,QH,QHB3,QHB5,QHP1,QMH,QP,QT,QX,QXE,SH,SHE,SN,SWE SWX,SX,SXC,SXE,VTE5,VX,VXE,VXU1
			-	1	-----	LH,LHB5,LHP1,PX,QH,QHB3,QHB5,QMH,QP,QX,QXE,SH,SWX,SX,SXC,VTE5,VX,VXE VXU1
11	90006-ZE2-000	SCREW, TAPPING, 6X10 .....	1	1	-----	LH,LHB5,LHP1,LH2,LT,LXE8,LXE9,LXU,PX,PXE8,PXU,QAA2,QAA6,QA2,QA26,QBE1 QH,QHB1,QHB3,QHB5,QMH,QN,QP,QT,QTN,QX,QXE,QXEK,QXE8,QXK,QXQ4,QXU,SH SHE,SN,SWE,SWE2,SWX,SWX2,SX,SXC,SXE,SXE8, SXQ4, VTE5, VX, VXE, VXE8, VVK VXU1, VX8
			1	-	-----	QAPW,QHP1,VSP
12	90013-883-000	BOLT, FLANGE, 6X12(CT200) ...	1	-	-----	LT,QAA2,QAA6,QAPW,QA2,QA26
13	90050-ZE1-000	SCREW, TAPPING, 5X8 .....	4	4	-----	LH,LHB5,LHP1,LH2,LT,LXE8,LXE9,LXU,PX,PXE8,PXU,QAA2,QAA6,QA2,QA26,QBE1 QH,QHB1,QHB3,QHB5,QMH,QN,QP,QT,QTN,QX,QXE,QXEK,QXE8,QXK,QXQ4,QXU,SH SHE,SN,SWE,SWE2,SWX,SWX2,SX,SXC,SXE,SXE8, SXQ4, VTE5, VX, VXE, VXE8, VVK VXU1, VX8
			4	-	-----	QAPW,QHP1,VSP
14	90055-ZE1-000	SCREW, TAPPING, 4X6 .....	3	3	-----	LT,QA2,QA26,QMH,QN,QP,QT,QTN,SWX,SWX2
15	94050-08000	NUT, FLANGE, 8MM .....	5	5	-----	LH,LHB5,LHP1,LH2,LT,LXE8,LXE9,LXU,PX,PXE8,PXU,QAA2,QAA6,QA2,QA26,QBE1 QH,QHB1,QHB3,QHB5,QMH,QN,QP,QT,QTN,QX,QXE,QXEK,QXE8,QXK,QXQ4,QXU,SH SHE,SN,SWE,SWE2,SWX,SWX2,SX,SXC,SXE,SXE8, SXQ4, VTE5, VX, VXE, VXE8, VVK VXU1, VX8
			5	-	-----	QAPW,QHP1,VSP
16	90050-ZE1-000	SCREW, TAPPING, 5X8 .....	1	-	-----	QA2,QA26
	90055-ZE1-000	SCREW, TAPPING, 4X6 .....	(1)	(1)	-----	LXE9,LXU,QBE1,QHB1
			(1)	-	-----	QAPW
17	17233-896-701	COLLAR, AIR CLEANER CASE ....	(2)	(2)	-----	QHB1,QXQ4, SXQ4
18	18433-ZF6-W40	COVER COMP., MUFFLER .....	(1)	(1)	-----	QHB1,QXQ4, SXQ4
19	18434-ZF6-W40	COVER COMP., RR. MUFFLER ....	(1)	(1)	-----	QHB1,QXQ4, SXQ4
20	18436-ZH8-W40	BASE COMP., MUFFLER COVER ...	(1)	(1)	-----	QHB1,QXQ4, SXQ4
21	18437-ZF6-W40	STAY, MUFFLER COVER .....	(1)	(1)	-----	ES2,ES3,QHB1,QXQ4, SXQ4, VSB4
22	18438-ZF6-W40	PLATE, SET .....	(1)	(1)	-----	ES2,ES3,QHB1,QXQ4, SXQ4, VSB4
23	18466-ZH8-W40	SPACER, MUFFLER COVER .....	(3)	(3)	-----	QHB1,QXQ4, SXQ4
24	90050-ZE1-000	SCREW, TAPPING, 5X8 .....	(1)	(1)	-----	QHB1,QXQ4, SXQ4
25	90050-ZH8-W40	SCREW, TAPPING, 5X25 .....	(2)	(2)	-----	QHB1,QXQ4, SXQ4
26	90301-782-000	NUT, U, 6MM .....	(3)	(3)	-----	QHB1,QXQ4, SXQ4
27	90302-KF9-900	NUT, HEX., 5MM .....	(3)	(3)	-----	QHB1,QXQ4, SXQ4



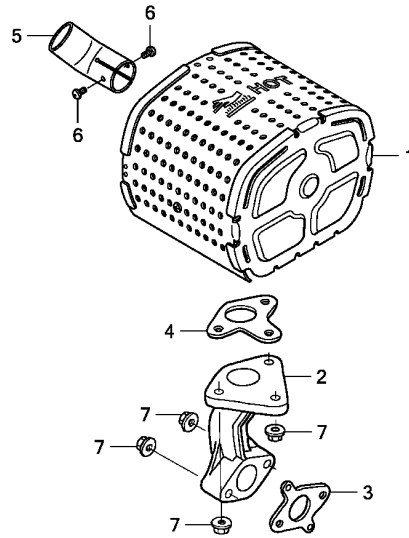


Ref. No.	Part No.	Description	Reqd. QTY		Serial No.	Parts catalogue code
			GX 390 T1	GX 390 T2		
28	93891-05012-00	SCREW-WASHER, 5X12	(1)	(1)	-----	ES2,ES3,QHB1,QXQ4,SXQ4,VSB4
29	93891-06020-07	SCREW-WASHER, 6X20	(3)	(3)	-----	QHB1,QXQ4,SXQ4
30	94103-05700	WASHER, PLAIN, 5MM	(3)	(3)	-----	QHB1,QXQ4,SXQ4
31	94111-05000	WASHER, SPRING, 5MM	(1)	(1)	-----	ES2,ES3,QHB1,QXQ4,SXQ4,VSB4
32	18330-ZE3-700	PIPE, EX.	1	1	-----	VMQ3
	18330-ZE3-710		1	1	-----	ES2,ES3,VMT,VMT2,VMT3,VS3,VS4,VS5,VS6
33	94050-08000	NUT, FLANGE, 8MM	2	2	-----	ES2,ES3,VMQ3,VMT,VMT2,VMT3,VS3,VS4,VS5,VS6

E-16-1

MUFFLER(2)

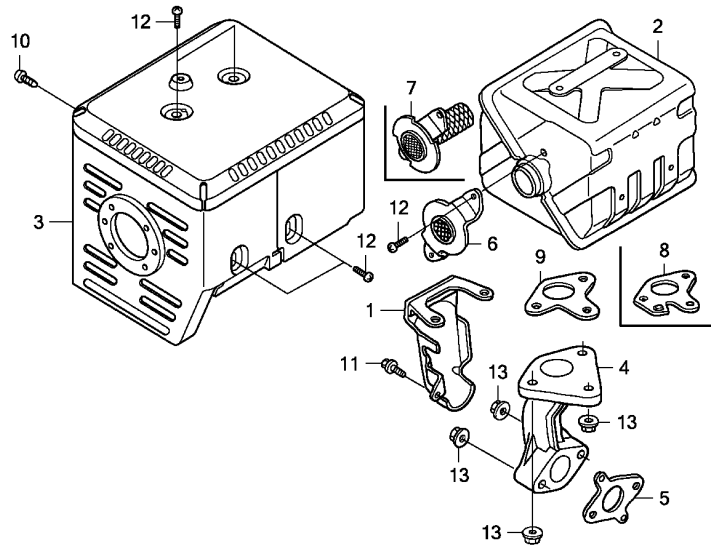
F 8



Ref. No.	L.O.N.	(Relative ref. Number) Description	F.R.T.
1	3131C5	MUFFLER, EXHAUST .....	0.2
2	3131C9	PIPE, EXHAUST .....	0.2
3	3131B5	GASKET, EXHAUST PIPE .....	0.2
4	3131B4	GASKET, EXHAUST MUFFLER .....	0.2
5	3131A8	DEFLECTOR, EXHAUST MUFFLER ...	0.1

Ref. No.	Part No.	Description	Reqd. QTY		Serial No.	Parts catalogue code
			GX 390 T1	GX 390 T2		
1	18310-Z1C-810	MUFFLER COMP. ....	1	-	-----	LBHB,QBH,QBHS,QBLS,QBS
2	18331-Z1C-800	PIPE, EX. ....	1	-	-----	LBHB,QBH,QBHS,QBLS,QBS
3	18333-ZF6-W01	GASKET, EX. PIPE .....	1	-	-----	LBHB,QBH,QBHS,QBLS,QBS
4	18381-Z1C-801	GASKET, MUFFLER (THAI LEAKLESS)	1	-	-----	LBHB,QBH,QBHS,QBLS,QBS
5	18431-Z0T-800	DEFLECTOR, MUFFLER .....	1	-	-----	LBHB,QBHS,QBLS
6	90055-ZE1-000	SCREW, TAPPING, 4X6 .....	2	-	-----	LBHB,QBHS,QBLS
7	94050-08000	NUT, FLANGE, 8MM .....	5	-	-----	LBHB,QBH,QBHS,QBLS,QBS

2

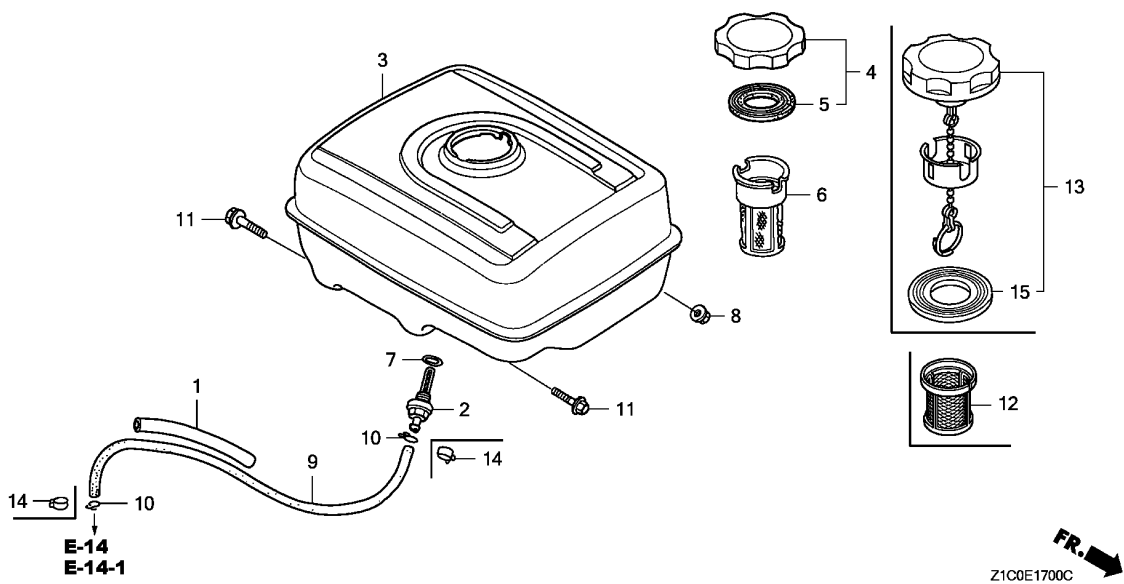


Z1C0E1602



Ref. No.	L.O.N.	(Relative ref. Number) Description	F.R.T.
2	3131C5	MUFFLER, EXHAUST .....	0.2
3	3131D6	PROTECTOR, EXHAUST MUFFLER ...	0.2
4	3131C9	PIPE, EXHAUST .....	0.2
5	3131B5	GASKET, EXHAUST PIPE .....	0.2
7	3131A1	ARRESTER, SPARK .....	0.2
9	3131B4	GASKET, EXHAUST MUFFLER .....	0.2

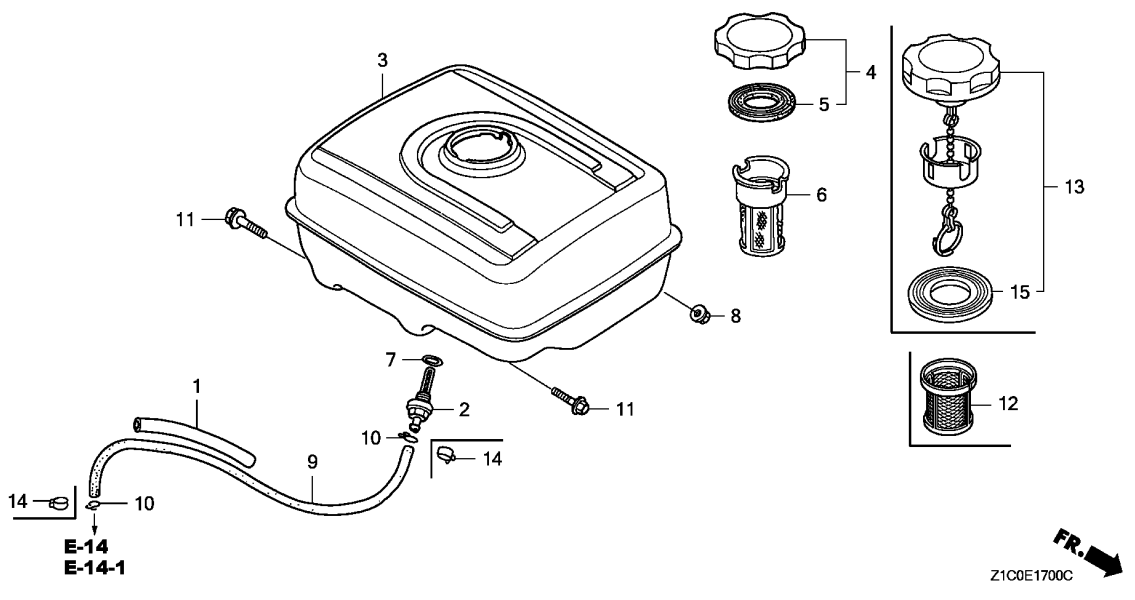
Ref. No.	Part No.	Description	Reqd. QTY		Serial No.	Parts catalogue code
			GX 390 T1	GX 390 T2		
1	18205-Z5T-000	PROTECTOR COMP., EX. PIPE ...	-	1	----- QAPW	
2	18310-Z5T-000	MUFFLER COMP. ....	-	1	----- QAPW,QHP1,VSP	
3	18320-Z5T-000	PROTECTOR COMP., MUFFLER ...	-	1	----- QAPW,QHP1,VSP	
4	18331-Z5T-000	PIPE, EX. ....	-	1	----- QAPW,QHP1,VSP	
5	18333-ZF6-W01	GASKET, EX. PIPE .....	-	1	----- QAPW,QHP1,VSP	
6	18336-ZE3-000	FLANGE COMP., BAFFLE .....	-	1	----- QAPW,QHP1,VSP	
7	18350-Z5T-800	ARRESTER COMP., SPARK .....	-	(1)	----- QAPW	
8	18381-ZE2-W10	GASKET, MUFFLER (ARRESTER) (NI PPON LEAKLE	-	(1)	----- QAPW	
9	18381-ZE2-800	GASKET, MUFFLER (NIPPON LEAKLESS)	-	1	----- QAPW,QHP1,VSP	
	18381-Z1C-801	GASKET, MUFFLER (THAI LEAKLESS)	-	1	----- QAPW,QHP1,VSP	
10	90006-ZE2-000	SCREW, TAPPING, 6X10 .....	-	1	----- QAPW,QHP1,VSP	
11	90013-883-000	BOLT, FLANGE, 6X12(CT200) ...	-	1	----- QAPW	
12	90050-ZE1-000	SCREW, TAPPING, 5X8 .....	-	6	----- QAPW,QHP1,VSP	
13	94050-08000	NUT, FLANGE, 8MM .....	-	5	----- QAPW,QHP1,VSP	



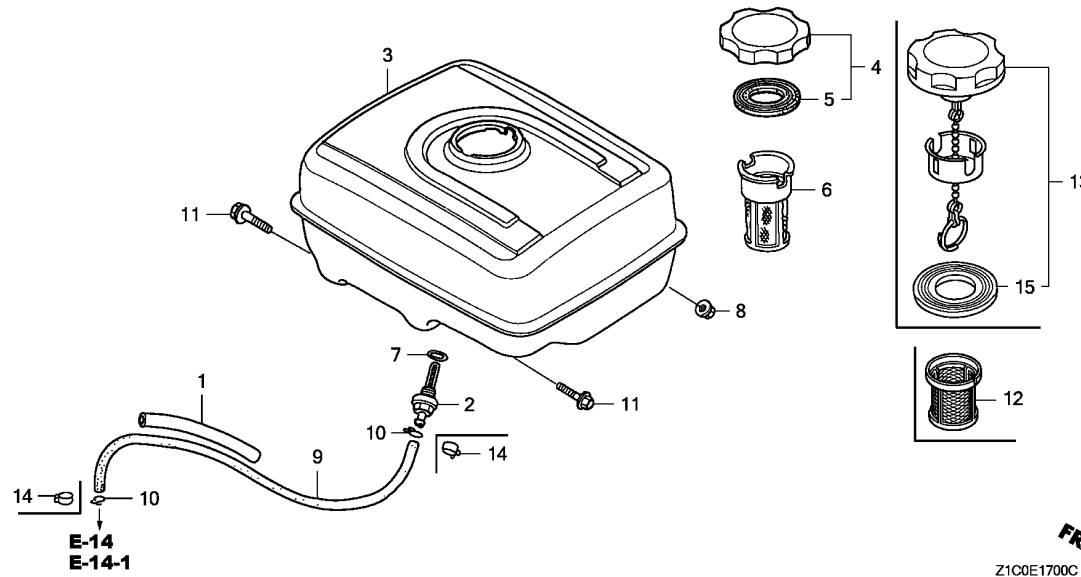
Ref. No.	L.O.N.	(Relative ref. Number) Description	F.R.T.
2	3101H6	(7) JOINT, FUEL STRAINER .....	0.2
3	3101H7	TANK, FUEL .....	0.2
6	3101A6	(12) FILTER, FUEL .....	0.1
9	3101F1	TUBE, FUEL TANK .....	0.2

Ref. No.	Part No.	Description	Reqd. QTY		Serial No.	Parts catalogue code
			GX 390 T1	GX 390 T2		
1	16854-ZH8-000	RUBBER, SUPPORTER (107MM) ...	1	1	-----	LBHB,LH,LHB5,LHP1,LH2,LP,LT,LXE8,LXE9,LXU,PX,PXE8,PXU,QAA2,QAA6,QAPW,QA2,QA26,QBE1,QBH,QBHS,QBLS,QBS,QH,QHB1,QHB3,QHB5,QHP1,QMH,QN,QP,QT,QTQ,QTN,QX,QXE,QXEK,QXE8,QXK,QXQ4,QXU,SH,SHE,SN,SWE,SWE2,SWX,SWX2,SX,SXC,SXE,SXE8,SXQ4,VSP,VX,VXE,VXE8,VXK,VXU1,VX8
2	16955-ZE1-000	JOINT, FUEL TANK .....	1	-	-----	LBHB,LH,LHB5,LHP1,LH2,LP,LT,LXE8,LXE9,LXU,PX,PXE8,PXU,QAA2,QAA6,QAPW,QA2,QA26,QBE1,QBH,QBHS,QBLS,QBS,QH,QHB1,QHB3,QHB5,QHP1,QMH,QN,QP,QT,QTQ,QTN,QX,QXE,QXEK,QXE8,QXK,QXQ4,QXU,SH,SHE,SN,SWE,SWE2,SWX,SWX2,SX,SXC,SXE,SXE8,SXQ4,VSP,VX,VXE,VXE8,VXK,VXU1,VX8
	16955-ZE1-010	.....	-	1	-----	LH,LHB5,LHP1,LH2,LXE9,PX,QAPW,QBE1,QH,QHB1,QHB3,QHB5,QHP1,QMH,QN,QP,QTQ,QX,QXE,QXEK,QXK,SH,SWE2,SWX,SWX2,SX,SXC,VSP,VX,VXE,VXK,VXU1
3	17510-ZE3-020ZA	TANK COMP., FUEL *NH31*.....MCKINLEY WHITE	1	-	-----	LXE8,LXU,PXE8,PXU,QAA2,QAA6,QA2,QA26,QXE8,QXQ4,QXU,SXE8,SXQ4,VXE8,VX8
	17510-ZE3-020ZB	*NH1*.....BLACK	1	-	1463865	LH,LHB5,LHP1,LP,LT,LXE9,PX,QH,QHB3,QHB5,QHP1,QMH,QN,QP,QT,QTQ,QX,QXE,QXEK,QXK,SH,SHE,SN,SWE,SWX,SX,SXC,SXE,VSP,VX,VXE,VXK,VXU1
	17510-ZE3-030ZA	*NH31*.....MCKINLEY WHITE	1	1	-----	LH2,QBE1,QHB1,QTN,SWE2,SWX2
			1	-	-----	QAPW
			1	-	1463866	LH,LHB5,LHP1,LP,LT,LXE9,PX,QH,QHB3,QHB5,QHP1,QMH,QN,QP,QT,QTQ,QX,QXE,QXEK,QXK,SH,SHE,SN,SWE,SWX,SX,SXC,SXE,VSP,VX,VXE,VXK,VXU1
			-	1	-----	LH,LHB5,LHP1,LXE9,PX,QH,QHB3,QHB5,QMH,QN,QP,QTQ,QX,QXE,QXEK,QXK,SH,SWX,SX,SXC,VX,VXE,VXK,VXU1
	17510-ZE3-030ZB	*NH1*.....BLACK	1	-	-----	QAPW
	17510-Z1C-810ZA	*NH31*.....MCKINLEY WHITE	1	-	-----	LBHB,QBH,QBHS,QBLS,QBS
	17510-Z5T-000ZA	*NH1*.....BLACK	-	1	-----	QAPW
	17510-Z5T-000ZB	*NH31*.....MCKINLEY WHITE	-	1	-----	QAPW,QHP1,VSP



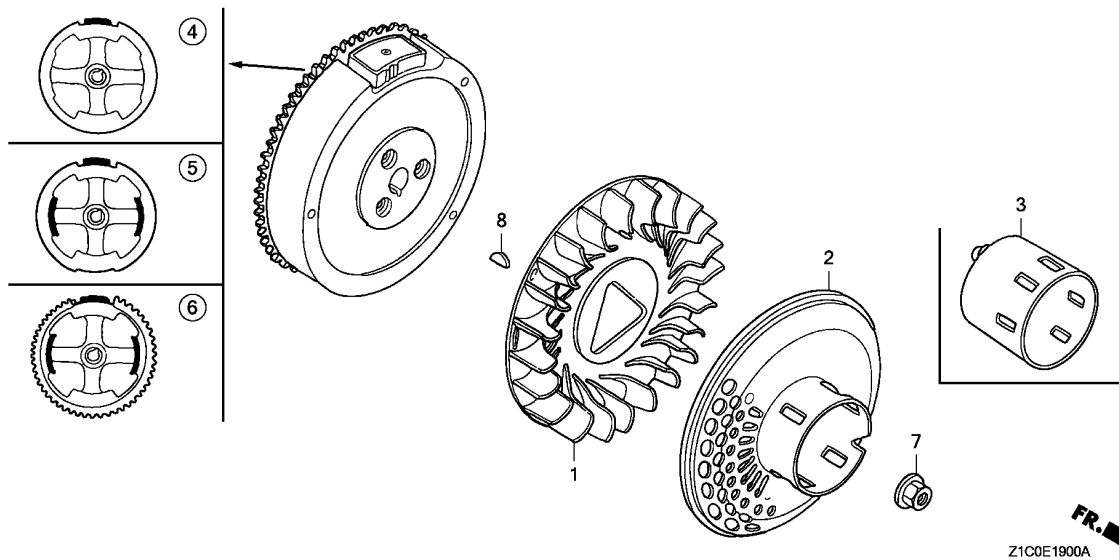


Ref. No.	Part No.	Description	Reqd. QTY		Serial No.	Parts catalogue code
			GX 390 T1	GX 390 T2		
4	17620-Z0T-813	CAP COMP., FUEL FILLER (CHROME PLATED) (RADICON)	1	1	-----	LH, LHB5, LHP1, LH2, LP, LT, LXE8, LXE9, LXU, PX, PXE8, PXU, QAA2, QAA6, QA2, QA26, QBE1, QH, QHB1, QHB3, QHB5, QHP1, QMH, QN, QP, QT, QTD, QTN, QX, QXE, QXEK, QXE8, QXK, QXQ4, QXU, SH, SHE, SN, SWE, SWE2, SWX, SWX2, SX, SXC, SXE, SXE8, SXQ4, VSP, VX, VXE, VXE8, VXK, VXU1, VX8
	17620-Z1T-800	CAP COMP., FUEL FILLER (CHROME PLATED) (TOUYOUSYA)	-	1	-----	LH, LHB5, LHP1, LH2, LXE9, PX, QBE1, QH, QHB1, QHB3, QHB5, QHP1, QMH, QN, QP, QTD, QX, QXE, QXEK, QXK, SH, SWE2, SWX, SWX2, SX, SXC, VSP, VX, VXE, VXK, VXU1
5	17631-Z0T-801	PACKING, FUEL FILLER CAP (39X62X3) (RADICON)	1	1	-----	LH, LHB5, LHP1, LH2, LP, LT, LXE8, LXE9, LXU, PX, PXE8, PXU, QAA2, QAA6, QA2, QA26, QBE1, QH, QHB1, QHB3, QHB5, QHP1, QMH, QN, QP, QT, QTD, QTN, QX, QXE, QXEK, QXE8, QXK, QXQ4, QXU, SH, SHE, SN, SWE, SWE2, SWX, SWX2, SX, SXC, SXE, SXE8, SXQ4, VSP, VX, VXE, VXE8, VXK, VXU1, VX8
	17631-Z1T-800	PACKING, FUEL FILLER CAP (39X62X3) (TOUYOUSYA)	-	1	-----	LH, LHB5, LHP1, LH2, LXE9, PX, QBE1, QH, QHB1, QHB3, QHB5, QHP1, QMH, QN, QP, QTD, QX, QXE, QXEK, QXK, SH, SWE2, SWX, SWX2, SX, SXC, VSP, VX, VXE, VXK, VXU1
6	17672-ZE2-W01	FILTER, FUEL .....	1	1	-----	LHB5, LT, QAA2, QAA6, QA2, QA26, QHB3, QHB5, QN, QP, QT, QTD, QTN, SWX, SWX2, SXC
7	91353-671-004	O-RING, 14MM(NOK) .....	1	1	-----	LBHB, LH, LHB5, LHP1, LH2, LP, LT, LXE8, LXE9, LXU, PX, PXE8, PXU, QAA2, QAA6, QAPW, QA2, QA26, QBE1, QBH, QBHS, QBLS, QBS, QH, QHB1, QHB3, QHB5, QHP1, QMH, QN, QP, QT, QTD, QTN, QX, QXE, QXEK, QXE8, QXK, QXQ4, QXU, SH, SHE, SN, SWE, SWE2, SWX, SWX2, SX, SXC, SXE, SXE8, SXQ4, VSP, VX, VXE, VXE8, VXK, VXU1, VX8
8	94050-08000	NUT, FLANGE, 8MM .....	2	2	-----	LBHB, LH, LHB5, LHP1, LH2, LP, LT, LXE8, LXE9, LXU, PX, PXE8, PXU, QAA2, QAA6, QAPW, QA2, QA26, QBE1, QBH, QBHS, QBLS, QBS, QH, QHB1, QHB3, QHB5, QHP1, QMH, QN, QP, QT, QTD, QTN, QX, QXE, QXEK, QXE8, QXK, QXQ4, QXU, SH, SHE, SN, SWE, SWE2, SWX, SWX2, SX, SXC, SXE, SXE8, SXQ4, VSP, VX, VXE, VXE8, VXK, VXU1, VX8



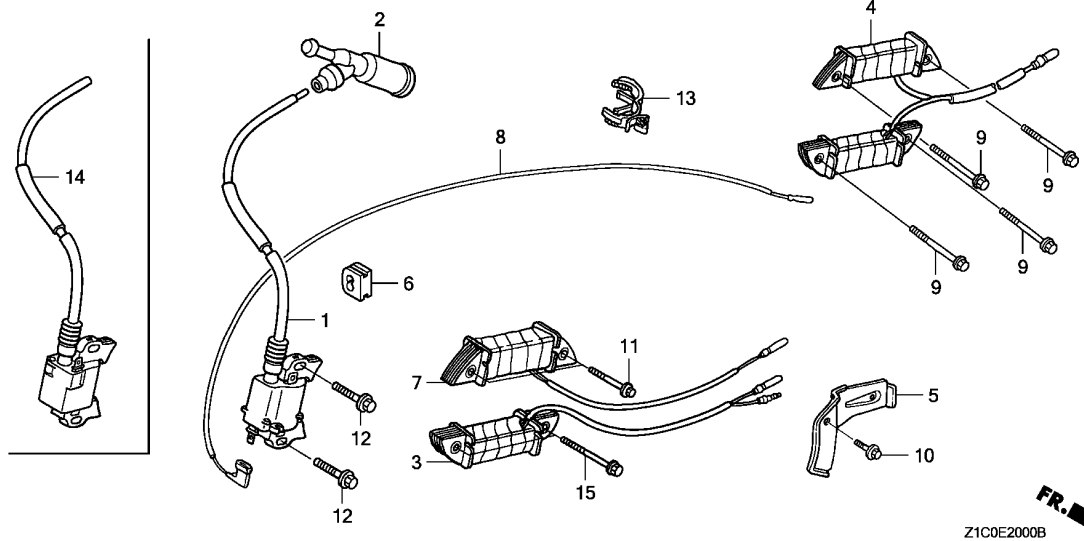
Ref. No.	Part No.	Description	Reqd. QTY		Serial No.	Parts catalogue code
			GX 390 T1	GX 390 T2		
9	95001-45235-40	TUBE, FUEL, 4.5X235 (95001-45001-60M)	1	1	-----	LBHB, LH, LHB5, LHP1, LH2, LP, LT, LXE8, LXE9, LXU, PX, PXE8, PXU, QAA2, QAA6, QA2, QA26, QBH, QBHS, QBL5, QBS, QH, QHB3, QHB5, QHP1, QMH, QN, QP, QT, QTD, QTN, QX, QXE, QXEK, QXE8, QXK, QXQ4, QXU, SH, SHE, SN, SWE, SWE2, SWX, SWX2, SX, SXC, SXE, SXE8, SXQ4, VSP, VX, VXE, VXE8, VXX, VXU1, VX8
	91424-Z5L-802	TUBE, FUEL, 4.5X235 (FKM)	----	1	-----	QBE1, QHB1
	91424-Z5T-003	-----	----	1	-----	QAPW
10	95002-02080	CLIP, TUBE (B8)	----	2	-----	QAPW
			----	2	-----	LBHB, LH, LHB5, LHP1, LH2, LP, LT, LXE8, LXE9, LXU, PX, PXE8, PXU, QAA2, QAA6, QA2, QA26, QBH, QBHS, QBL5, QBS, QH, QHB3, QHB5, QHP1, QMH, QN, QP, QT, QTD, QTN, QX, QXE, QXEK, QXE8, QXK, QXQ4, QXU, SH, SHE, SN, SWE, SWE2, SWX, SWX2, SX, SXC, SXE, SXE8, SXQ4, VSP, VX, VXE, VXE8, VXX, VXU1, VX8
11	95701-08025-00	BOLT, FLANGE, 8X25	----	2	-----	LBHB, LH, LHB5, LHP1, LH2, LP, LT, LXE8, LXE9, LXU, PX, PXE8, PXU, QAA2, QAA6, QAPW, QA2, QA26, QBE1, QBH, QBHS, QBL5, QBS, QH, QHB1, QHB3, QHB5, QHP1, QMH, QN, QP, QT, QTD, QTN, QX, QXE, QXEK, QXE8, QXK, QXQ4, QXU, SH, SHE, SN, SWE, SWE2, SWX, SWX2, SX, SXC, SXE, SXE8, SXQ4, VSP, VX, VXE, VXE8, VXX, VXU1, VX8
12	17672-Z4H-000	FILTER, FUEL	----	1	-----	LBHB, QAPW, QBH, QBHS, QBL5, QBS
13	17620-Z0T-820	CAP COMP., FUEL FILLER (CHROME PLATED)	----	1	-----	LBHB, QBH, QBHS, QBL5, QBS
	17620-Z4H-020	CAP COMP., FUEL FILLER	----	1	-----	QAPW
14	95002-40800-08	CLAMP, TUBE (D8)	----	2	-----	QAPW, QBE1, QHB1
15	17631-Z0T-801	PACKING, FUEL FILLER CAP (39X62X3) (RADICON)	----	1	-----	QAPW
	17631-Z1T-800	PACKING, FUEL FILLER CAP (39X62X3) (TOUYOUSYA)	----	1	-----	LBHB, QBH, QBHS, QBL5, QBS





Ref. No.	L.O.N.	(Relative ref. Number) Description	F.R.T.
1	1141G7	FAN, ENGINE COOLING (3)	0.2
2	1121A9	PULLEY, RECOIL STARTER (5,6)	0.2
4	2161B5	FLYWHEEL	0.3

Ref. No.	Part No.	Description	Reqd. QTY		Serial No.	Parts catalogue code
			GX 390 T1	GX 390 T2		
1	19511-ZE3-000	FAN, COOLING	1	1		
2	28450-ZE3-W11	PULLEY COMP., STARTER (SCREEN GRID)	1	1	-----	LH, LHB5, LHP1, LH2, LT, LXE8, LXE9, LXU, PX, PXE8, PXU, QAA2, QBE1, QH, QHB1, QHB3, QHB5, QHP1, QMH, QP, QX, QXE, QXEK, QXE8, QXK, QXU, SH, SHE, SWE, SWE2, SWX, SWX2, SX, SXC, SXE, SXE8, VSP, VTE5, VX, VXE, VXE8, VVK, VXU1, VX8
3	28451-ZE3-W01	PULLEY, STARTER	1	1	-----	ES2, ES3, LBHB, LP, QAA2, QAA6, QAPW, QA2, QBH, QBHS, QBL5, QBS, QN, QT, QTD, QTN, QXQ4, SN, SXQ4, VMQ3, VMT, VMT2, VMT3, VSB3, VSB4, VSB5, VS4, VS6
4	31100-ZE3-701	FLYWHEEL COMP.	1	1	-----	ES2, ES3, LH, LHB5, LH2, LXU, PX, PXU, QAA2, QAA6, QA2, QA26, QBL5, QBS, QH, QHB1, QHB3, QHB5, QMH, QN, QT, QTD, QTN, QX, QXK, QXQ4, QXU, SH, SN, SX, SXC, SXQ4, VSB4, VS4, VX, VX8
	31100-Z1C-800	.....	1	-	-----	QAPW, QHP1, VSP
	31110-Z5T-000	.....	-	1	-----	LBHB, QBH, QBHS
5	31100-ZE3-712	FLYWHEEL COMP. (LAMP)	1	1	-----	QAPW, QHP1, VSP
6	31100-ZE3-722	FLYWHEEL COMP. (SEL-LAMP)	1	1	-----	LHP1, LP, LT, QP, SWX, SWX2, VMQ3
7	90201-ZE3-V00	NUT, SPECIAL, 16MM	1	-	-----	LXE8, LXE9, PXE8, QBE1, QXE, QXEK, QXE8, SHE, SWE, SWE2, SXE, SXE8, VMT, VMT2, VMT3, VSB3, VSB5, VS6, VTE5, VXE, VXE8, VVK, VXU1
	90201-ZE3-790	.....	1	-	-----	LH, LHB5, LHP1, LP, LT, LXE8, LXE9, LXU, PX, PXE8, PXU, QAA2, QAA6, QA2, QA26, QH, QHB3, QHB5, QHP1, QMH, QP, QT, QTD, QX, QXE, QXEK, QXE8, QXK, QXQ4, QXU, SH, SHE, SN, SWE, SWX, SX, SXC, SXE, SXE8, SXQ4, VSP, VTE5, VX, VXE, VXE8, VVK, VXU1, VX8
8	90741-ZE2-000	KEY, SPECIAL WOODRUFF, 25X18	-	1	-----	ES2, ES3, LBHB, LH2, QAPW, QBE1, QBH, QBHS, QBL5, QBS, QHB1, QN, QTN, SWE2, SWX2, VMQ3, VMT2, VMT3, VSB4, VSB5, VS4, VS6
			1	1		

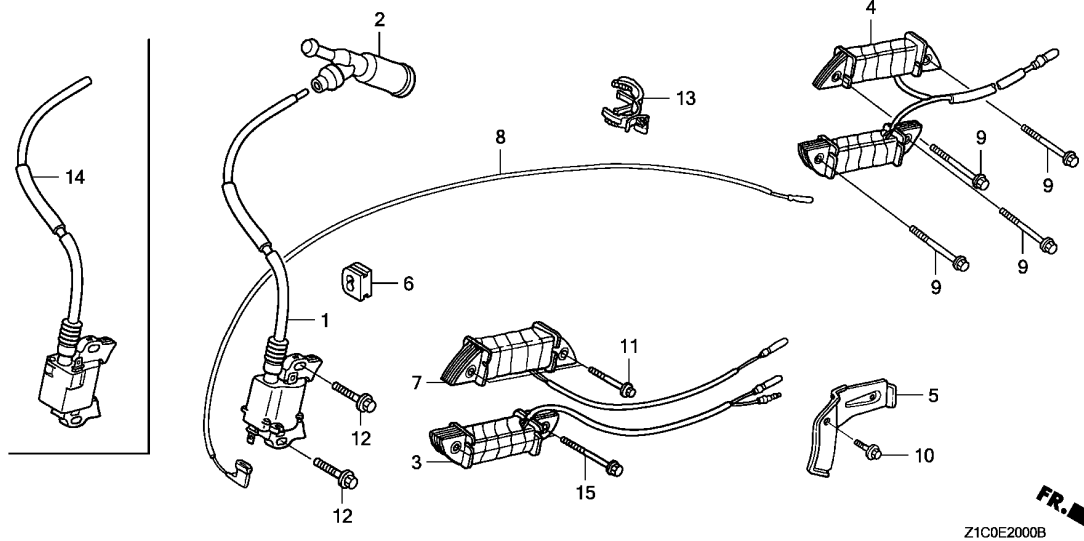


Ref. No.	L.O.N.	(Relative ref. Number) Description	F.R.T.
1		(14)	
6141A5		COIL, IGNITION(ONE) .....	0.2
6141B8		TERMINAL, HIGH TENSION .....	0.1
4		(3)	
6141A6		COIL, LAMP .....	0.4
6131C3		COIL, CHARGE .....	0.4
6111B3		CORD, STOP SWITCH .....	0.3

Ref. No.	Part No.	Description	Reqd. QTY		Serial No.	Parts catalogue code
			GX 390 T1	GX 390 T2		
1	30500-ZF6-W02	COIL ASSY., IGNITION .....	1	-	1253347	LH,LHB5,LHP1,LP,LT,LXE8,LXU,PX,PXE8,PXU,QAA2,QA2,QA26,QH,QHB3,QHB5,QHP1,QMH,QP,QT,QX,QXE,QXE8,QXQ4,QXU,SH,SHE,SN,SWE,SWX,SX,SXC,SXE,SXE8,SXQ4,VTE5,VX,VXE,VXE8,VXU1,VX8
	30500-Z1C-003	.....	1	-	1253348	QAA6
	30500-Z1C-013	.....	1	-	1337116	LXE9,QXEK,QXK,VXK
	30500-Z1C-023	.....	1	1	1253348	1337116 LH,LHB5,LHP1,LP,LT,PX,QH,QHB3,QHB5,QHP1,QMH,QP,QT,QX,QXE,SH,SHE,SN,SWE,SWX,SX,SXC,SXE,VTE5,VX,VXE,VXU1
			1	-		ES2,ES3,LH2,QBE1,QBLS,QBS,QHB1,QN,QTD,QTN,SWE2,SWX2,VMQ3,VMT,VMT2,VMT3,VSB3,VSB4,VSB5,VS4,VS6
			1	-		QAPW,VSP
			1	-	1337117	LH,LHB5,LHP1,LP,LT,LXE9,PX,QH,QHB3,QHB5,QHP1,QMH,QP,QT,QX,QXE,QXEK,QXK,SH,SHE,SN,SWE,SWX,SX,SXC,SXE,VTE5,VX,VXE,VXK,VXU1
			-	1		LH,LHB5,LHP1,LXE9,PX,QH,QHB3,QHB5,QMH,QP,QX,QXE,QXEK,QXK,SH,SWX,SX,SXC,VTE5,VX,VXE,VXK,VXU1
2	30600-ZE1-013	TERMINAL ASSY., HIGH TENSION (NICHIWA Y-EZ)	1	-		LP,LT,QT,SN
	30700-ZE1-013	CAP ASSY., NOISE SUPPRESSOR (NICHIWA Y-EZ RTFM256)	1	-		LH,LHB5,LHP1,LXE8,LXE9,LXU,PX,PXE8,PXU,QAA2,QA2,QA26,QH,QHB3,QHB5,QHP1,QMH,QP,QX,QXE,QXEK,QXE8,QXK,QXQ4,QXU,SH,SHE,SWE,SWX,SX,SXC,SXE,SXE8,SXQ4,VTE5,VX,VXE,VXE8,VXK,VXU1,VX8
	30700-Z1C-801	TERMINAL ASSY., HIGH TENSION (NGK Y-EZD)	1	1		LP,LT,QN,QT,QTD,QTN,SN,VSB3,VSB4,VSB5
	30700-Z1C-811	CAP ASSY., NOISE SUPPRESSOR (NGK Y-EZD)	1	1		ES2,ES3,LH,LHB5,LHP1,LH2,LXE8,LXE9,LXU,PX,PXE8,PXU,QAA2,QAA6,QA2,QA26,QBE1,QH,QHB1,QHB3,QHB5,QMH,QP,QX,QXE,QXEK,QXE8,QXK,QXQ4,QXU,SH,SHE,SWE,SWE2,SWX,SWX2,SX,SXC,SXE,SXE8,SXQ4,VMQ3,VMT,VMT2,VMT3,VS4,VS6,VTE5,VX,VXE,VXE8,VXK,VXU1,VX8
			1	-		QAPW,QHP1,VSP

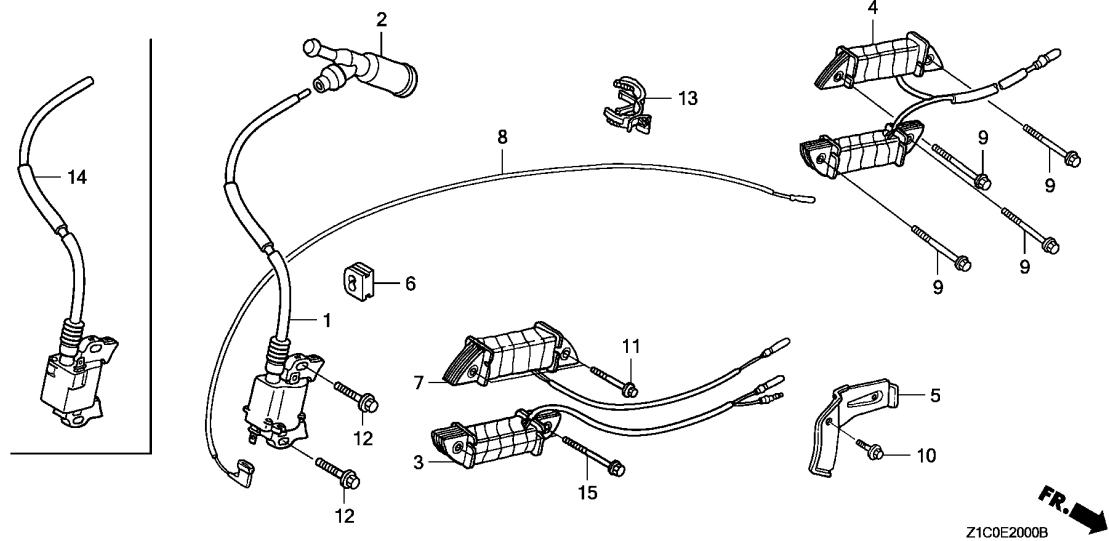






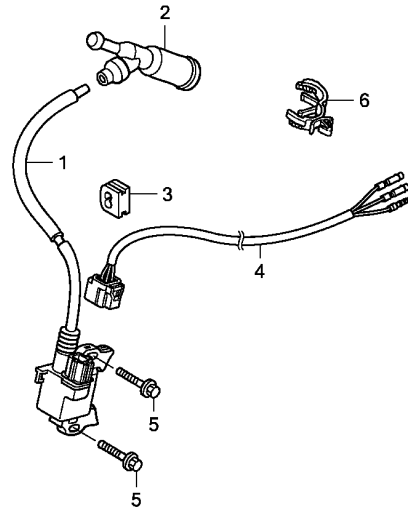
2

Ref. No.	Part No.	Description	Reqd. QTY		Serial No.	Parts catalogue code
			GX 390 T1	GX 390 T2		
(2)	30700-Z1C-821	TERMINAL ASSY., HIGH TENSION (NGK Y-EZD)	1	-	-----	LBHB,QBH,QBHS,QBLS,QBS
3	31510-ZE1-811	COIL ASSY., LAMP (12V/25W) ..	1	1	-----	LHP1
	31510-ZE1-003	COIL ASSY., LAMP (12V/15W) ..	1	1	-----	VMQ3,VMT3
4	31510-ZE2-811	COIL ASSY., LAMP (12V/50W) ..	1	1	-----	LP,LT,QP,SWX,SWX2
5	31511-ZE3-000	CLAMPER, CORD .....	1	1	-----	LHP1,LP,LT,LXE8,LXE9,PXE8,QBE1,QP,QXE,QXEK,QXE8,SHE,SWE,SWE2,SWX,SWX2 SXE,SXE8,VMQ3,VMT,VMT2,VMT3,VSB3,VSB5,VS6,VTE5,VXE,VXE8,VXK,VXU1
6	31512-ZE2-000	GROMMET, CORD .....	1	-	-----	ES2,LH,LHB5,LHP1,LH2,LXE9,PX,QBE1,QH,QHB1,QHB3,QHB5,QMH,QN,QP,QTD,QX QXE,QXEK,QXK,SH,SWE2,SWX,SWX2,SX,SXC,VMQ3,VMT,VMT2,VMT3,VSB3,VSB4,VS4 VS6,VTE5,VX,VXE,VXK,VXU1
7	31630-ZE1-003	COIL ASSY., CHARGE (1A) .....	1	-	-----	LXE8,PXE8,QXE8,SXE8,VXE8
	31630-ZE1-013	.....	1	1	-----	LXE9,QBE1,QXE,QXEK,SHE,SWE,SWE2,SXE,VMT,VMT2,VMT3,VSB3,VSB5,VS6,VTE5 VXE,VXK,VXU1
8	36101-ZE2-701	CORD, STOP SWITCH (430MM) ...	1	1	-----	LBHB,LH,LHB5,LHP1,LH2,LP,LT,LXE8,LXE9,LXU,PX,PXE8,PXU,QAA2,QAA6,QA2 QA26,QBE1,QBH,QBHS,QBLS,QBS,QH,QHB1,QHB3,QHB5,QMH,QN,QP,QT,QTD,QTN,QX QXE,QXEK,QXE8,QXK,QXQ4,QXU,SH,SHE,SN,SWE,SWE2,SWX,SWX2,SX,SXC,SXE SXE8,SXQ4,VMQ3,VMT,VMT2,VMT3,VTE5,VX,VXE,VXE8,VXK,VXU1,VX8
	36101-ZE3-800	CORD, STOP SWITCH (470MM) ...	1	-	-----	QAPW,QHP1,VSP
	90012-888-000	BOLT, FLANGE, 6X40(CT200) ...	1	1	-----	ES2,ES3,VSB3,VSB4,VSB5,VS4,VS6
9	90012-888-000	BOLT, FLANGE, 6X40(CT200) ...	4	4	-----	LP,LT,QP,SWX,SWX2
10	90013-883-000	BOLT, FLANGE, 6X12(CT200) ...	1	1	-----	LHP1,LP,LT,LXE8,LXE9,PXE8,QBE1,QP,QXE,QXEK,QXE8,SHE,SWE,SWE2,SWX,SWX2 SXE,SXE8,VMQ3,VMT,VMT2,VMT3,VSB3,VSB5,VS6,VTE5,VXE,VXE8,VXK,VXU1
11	90014-ZE6-000	BOLT, FLANGE, 6X35(CT200) ...	2	2	-----	LXE8,LXE9,PXE8,QBE1,QXE,QXEK,QXE8,SHE,SWE,SWE2,SXE,SXE8,VMT,VMT2,VMT3 VSB3,VSB5,VS6,VTE5,VXE,VXE8,VXK,VXU1



Ref. No.	Part No.	Description	Reqd. QTY		Serial No.	Parts catalogue code
			GX 390 T1	GX 390 T2		
12	90015-883-000	BOLT, FLANGE, 6X28(CT200) ...	2	-		
			-	2	-----	ES2,LH,LHB5,LHP1,LH2,LXE9,PX,QBE1,QH,QHB1,QHB3,QHB5,QMH,QN,QP,QTD,QX,QXE,QXEK,QXK,SH,SWE2,SWX,SWX2,SX,SXC,VMQ3,VMT,VMT2,VMT3,VSB3,VSB4,VS4,VS6,VTE5,VX,VXE,VXK,VXU1
13	90684-ZA0-601	CLIP, HARNESS .....	1	1	-----	LBHB,LXU,PX,PXU,QAA2,QAA6,QA2,QA26,QBH,QBHS,QBLS,QBS,QX,QXK,QXQ4,QXU,SWX,SWX2,SX,SXC,SXQ4,VX,VX8
			1	-	-----	QAPW,VSP
14	30500-Z1C-801	COIL ASSY., IGNITION .....	1	-	-----	LBHB,QBH,QBHS
15	90012-888-000	BOLT, FLANGE, 6X40(CT200) ...	2	2	-----	LHP1
	90017-883-000	BOLT, FLANGE, 6X32 .....	2	2	-----	VMQ3,VMT3



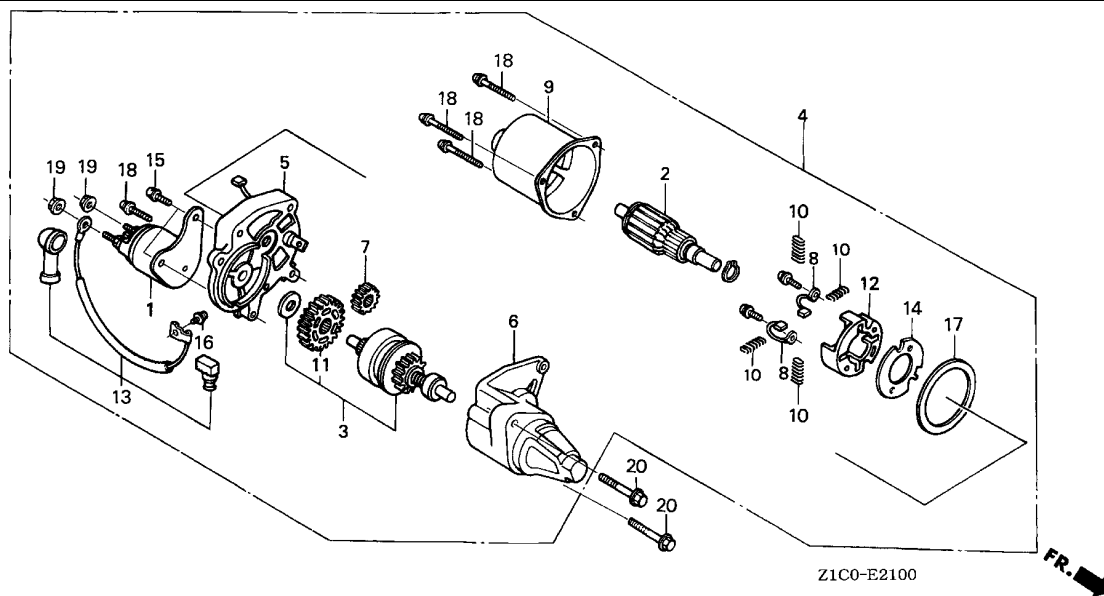


Z1C0E2001



Ref. No.	L.O.N.	(Relative ref. Number) Description	F.R.T.
1	6141A5	COIL, IGNITION(ONE)	0.2
2	6141B8	TERMINAL, HIGH TENSION	0.1

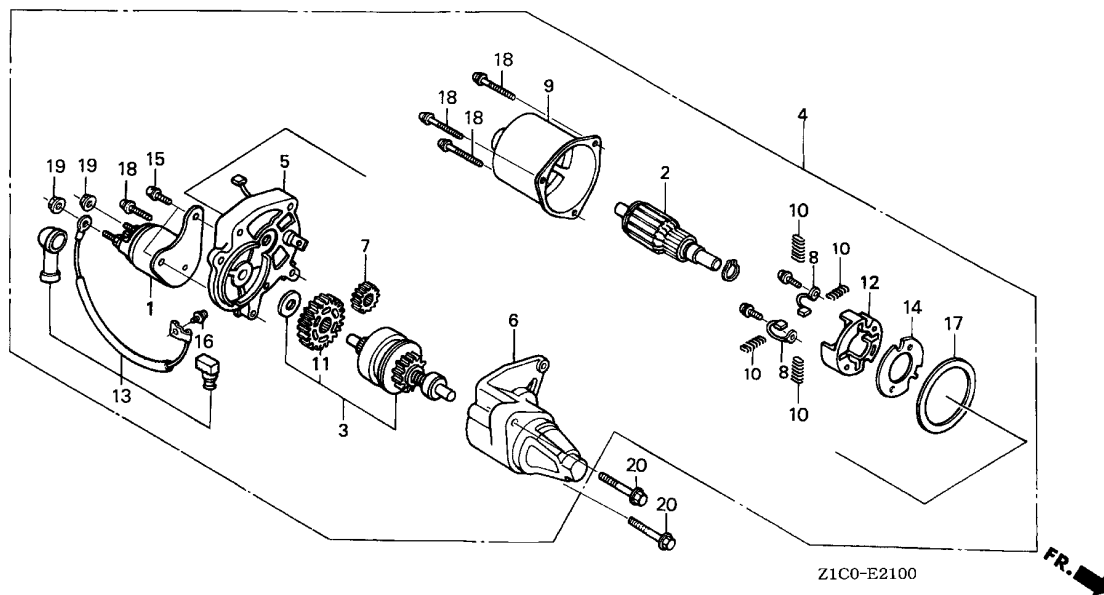
Ref. No.	Part No.	Description	Reqd. QTY		Serial No.	Parts catalogue code
			GX 390 T1	GX 390 T2		
1	30500-Z5T-003	COIL ASSY., IGNITION	-	1	-----	QAPW,QHP1,VSP
2	30700-Z1C-811	CAP ASSY., NOISE SUPPRESSOR (NGK Y-EZD)	-	1	-----	QAPW,QHP1,VSP
3	31512-ZE2-000	GROMMET, CORD	-	1	-----	QAPW,QHP1,VSP
4	32110-Z5T-000	HARNESS ASSY., ENGINE WIRE	-	1	-----	QAPW,VSP
	32110-Z5T-800		-	1	-----	QHP1
5	90015-883-000	BOLT, FLANGE, 6X28(CT200)	-	2	-----	QAPW,QHP1,VSP
6	90684-ZA0-601	CLIP, HARNESS	-	1	-----	QAPW,QHP1,VSP



Ref. No.	L.O.N.	(Relative ref. Number) Description	F.R.T.
1	6121E5	CONTACTOR, STARTER .....	0.2
2	6121A0	ARMATURE, STARTER .....	0.4
3	6121B0	CLUTCH, OVERRUNNING .....	0.4
4	6121D5	MOTOR, STARTER .....	0.2
5	6121C3	BRACKET, STARTER :CENTER .....	0.4
6	6121D2	BRACKET, STARTER :FRONT .....	0.3
8	6121A9	BRUSH, STARTER .....	0.4

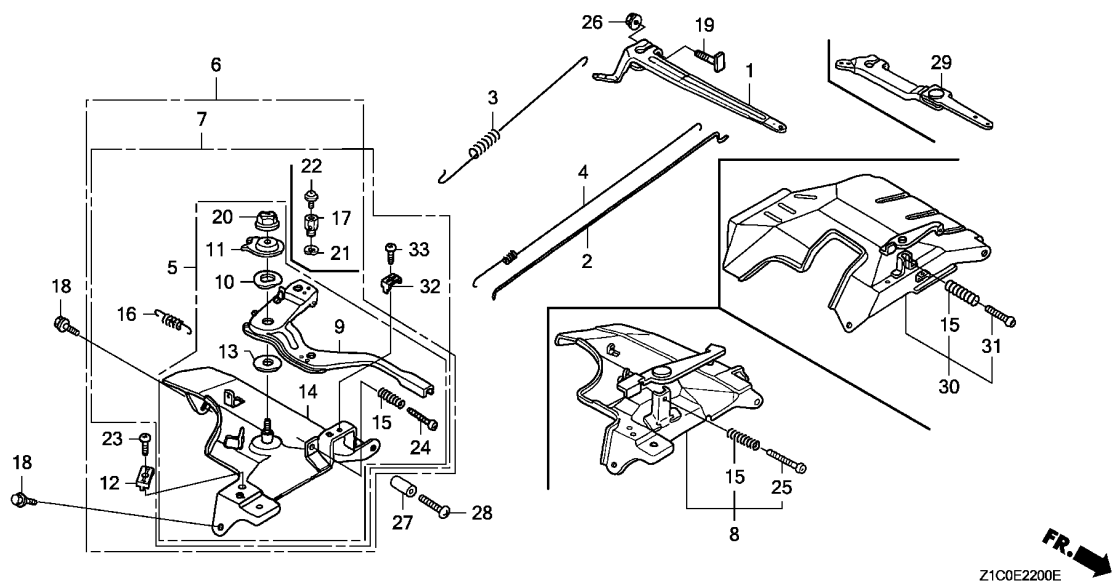
Ref. No.	Part No.	Description	Reqd. QTY		Serial No.	Parts catalogue code
			GX 390 T1	GX 390 T2		
1	31204-ZA0-003	CONTACTOR ASSY. ....	1	1	-----	LXE8,LXE9,PXE8,QBE1,QXE,QXEK,QXE8,SHE,SWE,SWE2,SXE,SXE8,VMT,VMT2,VMT3, VSB3,VSB5,VS6,VTE5,VXE,VXE8,VXK,VXU1
2	31206-ZE3-003	ARMATURE COMP. ....	1	1	-----	LXE8,LXE9,PXE8,QBE1,QXE,QXEK,QXE8,SHE,SWE,SWE2,SXE,SXE8,VMT,VMT2,VMT3, VSB3,VSB5,VS6,VTE5,VXE,VXE8,VXK,VXU1
3	31207-ZE3-003	CLUTCH COMP., OVERRUNNING ...	1	1	-----	LXE8,LXE9,PXE8,QBE1,QXE,QXEK,QXE8,SHE,SWE,SWE2,SXE,SXE8,VMT,VMT2,VMT3, VSB3,VSB5,VS6,VTE5,VXE,VXE8,VXK,VXU1
4	31210-ZE3-013	MOTOR UNIT, STARTER .....	1	-	-----	LXE8,PXE8,QXE8,SXE8,VXE8
	31210-ZE3-023	.....	1	-	1446390	LXE9,QXE,QXEK,SHE,SWE,SXE,VTE5,VXE,VXK,VXU1
			1	1	-----	QBE1,SWE2,VMT,VMT2,VMT3,VSB3,VSB5,VS6
			1	-	1446391	LXE9,QXE,QXEK,SHE,SWE,SXE,VTE5,VXE,VXK,VXU1
5	31211-ZE2-003	BRACKET, CENTER .....	1	1	-----	LXE9,QXE,QXEK,VTE5,VXE,VXK,VXU1
			1	1	-----	LXE8,LXE9,PXE8,QBE1,QXE,QXEK,QXE8,SHE,SWE,SWE2,SXE,SXE8,VMT,VMT2,VMT3, VSB3,VSB5,VS6,VTE5,VXE,VXE8,VXK,VXU1
6	31212-ZE3-003	BRACKET, FR. ....	1	1	-----	LXE8,LXE9,PXE8,QBE1,QXE,QXEK,QXE8,SHE,SWE,SWE2,SXE,SXE8,VMT,VMT2,VMT3, VSB3,VSB5,VS6,VTE5,VXE,VXE8,VXK,VXU1
7	31213-ZE2-003	GEAR, DRIVE PINION .....	1	1	-----	LXE8,LXE9,PXE8,QBE1,QXE,QXEK,QXE8,SHE,SWE,SWE2,SXE,SXE8,VMT,VMT2,VMT3, VSB3,VSB5,VS6,VTE5,VXE,VXE8,VXK,VXU1
8	31215-ZE2-003	BRUSH .....	2	2	-----	LXE8,LXE9,PXE8,QBE1,QXE,QXEK,QXE8,SHE,SWE,SWE2,SXE,SXE8,VMT,VMT2,VMT3, VSB3,VSB5,VS6,VTE5,VXE,VXE8,VXK,VXU1
9	31218-ZE3-003	YOKE COMP. ....	1	1	-----	LXE8,LXE9,PXE8,QBE1,QXE,QXEK,QXE8,SHE,SWE,SWE2,SXE,SXE8,VMT,VMT2,VMT3, VSB3,VSB5,VS6,VTE5,VXE,VXE8,VXK,VXU1
10	31219-ZE2-003	SPRING, BRUSH RETURN .....	4	4	-----	LXE8,LXE9,PXE8,QBE1,QXE,QXEK,QXE8,SHE,SWE,SWE2,SXE,SXE8,VMT,VMT2,VMT3, VSB3,VSB5,VS6,VTE5,VXE,VXE8,VXK,VXU1
11	31222-ZE3-791	GEAR, REDUCTION .....	1	1	-----	LXE8,LXE9,PXE8,QBE1,QXE,QXEK,QXE8,SHE,SWE,SWE2,SXE,SXE8,VMT,VMT2,VMT3, VSB3,VSB5,VS6,VTE5,VXE,VXE8,VXK,VXU1
12	31231-ZE2-003	HOLDER, BRUSH .....	1	1	-----	LXE8,LXE9,PXE8,QBE1,QXE,QXEK,QXE8,SHE,SWE,SWE2,SXE,SXE8,VMT,VMT2,VMT3, VSB3,VSB5,VS6,VTE5,VXE,VXE8,VXK,VXU1





2

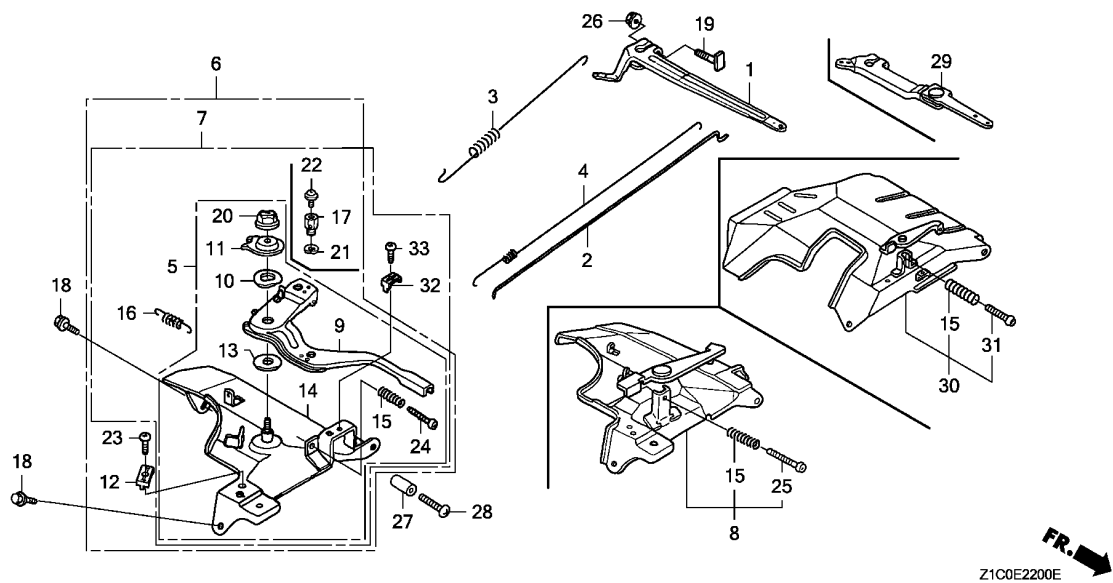
Ref. No.	Part No.	Description	Reqd. QTY		Serial No.	Parts catalogue code
			GX 390 T1	GX 390 T2		
13	31232-ZE3-003	WIRE, WATER COVER .....	1	1	-----	LXE8,LXE9,PXE8,QBE1,QXE,QXEK,QXE8,SHE,SWE,SWE2,SXE,SXE8,VMT,VMT2,VMT3 VSB3,VSB5,VS6,VTE5,VXE,VXE8,VXK,VXU1
14	31233-ZE2-003	INSULATOR .....	1	1	-----	LXE8,LXE9,PXE8,QBE1,QXE,QXEK,QXE8,SHE,SWE,SWE2,SXE,SXE8,VMT,VMT2,VMT3 VSB3,VSB5,VS6,VTE5,VXE,VXE8,VXK,VXU1
15	90007-ZE2-003	BOLT-WASHER, 5X14 .....	2	2	-----	LXE8,LXE9,PXE8,QBE1,QXE,QXEK,QXE8,SHE,SWE,SWE2,SXE,SXE8,VMT,VMT2,VMT3 VSB3,VSB5,VS6,VTE5,VXE,VXE8,VXK,VXU1
16	90110-ZE2-003	SCREW-WASHER, 4X6 .....	1	1	-----	LXE8,LXE9,PXE8,QBE1,QXE,QXEK,QXE8,SHE,SWE,SWE2,SXE,SXE8,VMT,VMT2,VMT3 VSB3,VSB5,VS6,VTE5,VXE,VXE8,VXK,VXU1
17	91601-ZE2-003	PACKING .....	1	1	-----	LXE8,LXE9,PXE8,QBE1,QXE,QXEK,QXE8,SHE,SWE,SWE2,SXE,SXE8,VMT,VMT2,VMT3 VSB3,VSB5,VS6,VTE5,VXE,VXE8,VXK,VXU1
18	93892-05032-18	SCREW-WASHER, 5X32 .....	4	4	-----	LXE8,LXE9,PXE8,QBE1,QXE,QXEK,QXE8,SHE,SWE,SWE2,SXE,SXE8,VMT,VMT2,VMT3 VSB3,VSB5,VS6,VTE5,VXE,VXE8,VXK,VXU1
19	94070-06080	NUT-WASHER, 6MM .....	2	2	-----	LXE8,LXE9,PXE8,QBE1,QXE,QXEK,QXE8,SHE,SWE,SWE2,SXE,SXE8,VMT,VMT2,VMT3 VSB3,VSB5,VS6,VTE5,VXE,VXE8,VXK,VXU1
20	95701-08035-08	BOLT, FLANGE, 8X35 .....	2	2	-----	LXE8,LXE9,PXE8,QBE1,QXE,QXEK,QXE8,SHE,SWE,SWE2,SXE,SXE8,VMT,VMT2,VMT3 VSB3,VSB5,VS6,VTE5,VXE,VXE8,VXK,VXU1



Ref. No.	L.O.N.	(Relative ref. Number) Description	F.R.T.
1		(29)	
1	1161A0	ARM, GOVERNOR .....	0.2
2	1161B1	ROD, GOVERNOR .....	0.3
3	1161C5	SPRING, GOVERNOR .....	0.2
4	1161C2	SPRING, THROTTLE RETURN .....	0.3
6		(5,7)	
	1161A5	CONTROL, THROTTLE/GOVERNOR ...	0.2
9	1161A8	LEVER, CONTROL .....	0.3
14	1161A2	BASE, CONTROL .....	0.3

Ref. No.	Part No.	Description	Reqd. QTY		Serial No.	Parts catalogue code
			GX 390 T1	GX 390 T2		
1	16551-ZE3-000	ARM, GOVERNOR .....	1	1	-----	LH,LHB5,LHP1,LH2,LT,LXE8,LXE9,LXU,PX,PXE8,PXU,QAA2,QAA6,QAPW,QA2,QA26,QBE1,QH,QHB1,QHB3,QHB5,QHP1,QMH,QN,QP,QT,QTD,QTN,QX,QXE,QXEK,QXE8,QXK,QXQ4,QXU,SH,SHE,SN,SWE,SWE2,SWX,SWX2,SX,SXC,SXE,SXE8,SXQ4,VSP,VTE5,VX,VXE,VXE8,VXK,VXU1,VX8
	16551-Z1C-800	.....	1	-	-----	QBLS,QBS
2	16555-ZE3-000	ROD, GOVERNOR .....	1	-	-----	ES2,ES3,LH,LHB5,LHP1,LH2,LT,LXE8,LXE9,LXU,PX,PXE8,PXU,QAA2,QAA6,QAPW,QA2,QA26,QBE1,QBLS,QBS,QH,QHB1,QHB3,QHB5,QHP1,QMH,QN,QP,QT,QTD,QTN,QX,QXE,QXEK,QXE8,QXK,QXQ4,QXU,SH,SHE,SN,SWE,SWE2,SWX,SWX2,SX,SXC,SXE,SXE8,SXQ4,VMQ3,VMT2,VMT3,VS3,VS4,VS5,VS6,VTE5,VX,VXE,VXE8,VXK,VXU1,VX8
3	16561-ZE3-000	SPRING, GOVERNOR (L=137.5MM)	-	1	-----	ES2,ES3,LH,LHB5,LHP1,LH2,LT,LXE8,LXE9,LXU,PX,PXE8,PXU,QAA2,QAA6,QAPW,QA2,QA26,QBE1,QH,QHB1,QHB3,QHB5,QHP1,QMH,QN,QP,QT,QTD,QTN,QX,QXE,QXEK,QXE8,QXK,QXQ4,QXU,SH,SHE,SN,SWE,SWE2,SWX,SWX2,SX,SXC,SXE,SXE8,SXQ4,VMQ3,VMT,VMT2,VMT3,VS3,VS4,VS5,VS6,VTE5,VSP,VXE8,VXK,VXU1,VX8
	16561-ZF6-T21	SPRING, GOVERNOR .....	1	1	-----	VX,VXE
	16561-ZF6-W31	.....	1	-	1363842	VX,VXE
	16561-ZF6-W32	.....	1	-	1363843	VX,VXE
	16561-Z1C-800	.....	1	-	-----	QBLS,QBS
4	16562-ZE3-000	SPRING, THROTTLE RETURN .....	1	1	-----	LH,LHB5,LHP1,LH2,LT,LXE8,LXE9,LXU,PX,PXE8,PXU,QAA2,QAA6,QAPW,QA2,QA26,QBE1,QBLS,QBS,QH,QHB1,QHB3,QHB5,QHP1,QMH,QN,QP,QT,QTD,QTN,QX,QXE,QXEK,QXE8,QXK,QXQ4,QXU,SH,SHE,SN,SWE,SWE2,SWX,SWX2,SX,SXC,SXE,SXE8,SXQ4,VSP,VTE5,VX,VXE,VXE8,VXK,VXU1,VX8
	16562-ZE3-700	.....	1	1	-----	ES2,ES3,VMQ3,VMT,VMT2,VMT3,VS3,VS4,VS5,VS6
5	16570-ZE3-W00	CONTROL ASSY. (STD.) .....	1	1	-----	SN,VTE5,VX,VXE
6	16500-Z1C-800	CONTROL ASSY. (LONG-TAILED BOAT)	1	-	-----	QBLS,QBS



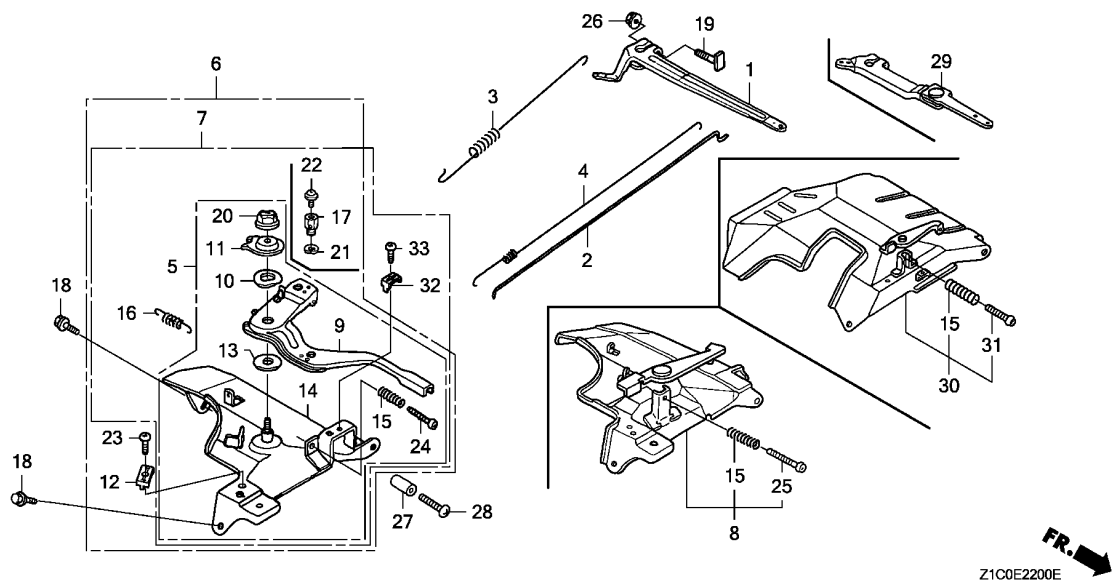


Ref. No.	Part No.	Description	Reqd. QTY		Serial No.	Parts catalogue code
			GX 390 T1	GX 390 T2		
7	16570-ZE3-W20	CONTROL ASSY. (REMOTE)	1	1	-----	LH,LHB5,LHP1,LH2,LXE8,LXE9,LXU,PX,PXE8,PXU,QAA2,QAA6,QA2,QA26,QH,QHB3,QHB5,QMH,QN,QP,QT,QTN,QX,QXE,QXEK,QXE8,QXK,QXQ4,QXU,SH,SHE,SWE,SWE2,SWX,SWX2,SX,SXC,SXE,SXE8,SXQ4
	16570-ZE3-W10	.....	1	-	-----	QAPW,QHP1
	16500-Z5T-810	CONTROL ASSY.	-	1	-----	LT,QBE1,QHB1,QTD
8	16570-ZE3-721	CONTROL ASSY.	1	1	-----	QAPW,QHP1
	16500-Z5T-870	.....	1	-	-----	VXE8,VXK,VXU1,VX8
	16571-ZE3-W00	LEVER, CONTROL	1	1	-----	VSP
	16571-Z1C-800	.....	1	-	-----	VSP
10	16574-ZE1-000	SPRING, LEVER	1	1	-----	LH,LHB5,LHP1,LH2,LT,LXE8,LXE9,LXU,PX,PXE8,PXU,QAA2,QAA6,QAPW,QA2,QA26,QBE1,QH,QHB1,QHB3,QHB5,QHP1,QMH,QN,QP,QT,QTD,QTN,QX,QXE,QXEK,QXE8,QXK,QXQ4,QXU,SH,SHE,SN,SWE,SWE2,SWX,SWX2,SX,SXC,SXE,SXE8,SXQ4,VTE5,VX,VXE
	16575-ZE2-W00	WASHER, CONTROL LEVER	1	1	-----	QBLE, QBS
	16575-Z1C-810	.....	1	-	-----	LH,LHB5,LHP1,LH2,LT,LXE8,LXE9,LXU,PX,PXE8,PXU,QAA2,QAA6,QAPW,QA2,QA26,QBE1,QH,QHB1,QHB3,QHB5,QHP1,QMH,QN,QP,QT,QTD,QTN,QX,QXE,QXEK,QXE8,QXK,QXQ4,QXU,SH,SHE,SN,SWE,SWE2,SWX,SWX2,SX,SXC,SXE,SXE8,SXQ4,VTE5,VX,VXE
12	16576-891-000	HOLDER, CABLE	1	-	-----	QBLE, QBS
13	16578-ZE1-000	SPACER, CONTROL LEVER	1	1	-----	LH,LHB5,LHP1,LH2,LT,LXE8,LXE9,LXU,PX,PXE8,PXU,QAA2,QAA6,QAPW,QA2,QA26,QBE1,QBLE,QBS,QH,QHB1,QHB3,QHB5,QHP1,QMH,QN,QP,QT,QTD,QTN,QX,QXE,QXEK,QXE8,QXK,QXQ4,QXU,SH,SHE,SN,SWE,SWE2,SWX,SWX2,SX,SXC,SXE,SXE8,SXQ4,VTE5,VX,VXE

Ref. No.	Part No.	Description	Reqd. QTY		Serial No.	Parts catalogue code
			GX 390 T1	GX 390 T2		
14	16581-ZE3-W00	BASE COMP., CONTROL (###) ...	1	1	-----	LH,LHB5,LHP1,LH2,LP,LT,LXE8,LXE9,LXU,PX,PXE8,PXU,QAA2,QAA6,QA2,QA26,QBE1,QH,QHB1,QHB3,QHB5,QMH,QN,QP,QT,QTD,QTN,QX,QXE,QXEK,QXE8,QXK,QXQ4,QXU,SH,SHE,SN,SWE,SWE2,SWX,SWX2,SX,SXC,SXE,SXE8,SXQ4,VTE5,VX,VXE QAPW,QHP1
	16580-Z1C-800	BASE COMP., CONTROL .....	1	-	-----	QBLS,QBS
	16580-Z5T-000	.....	-	1	-----	QAPW,QHP1
15	16584-883-300	SPRING, CONTROL ADJUSTING ...	1	-	-----	ES2,ES3,LH,LHB5,LHP1,LH2,LT,LXE8,LXE9,LXU,PX,PXE8,PXU,QAA2,QAA6,QAPW,QA2,QA26,QBE1,QBLS,QBS,QH,QHB1,QHB3,QHB5,QHP1,QMH,QN,QP,QT,QTD,QTN,QX,QXE,QXEK,QXE8,QXK,QXQ4,QXU,SH,SHE,SN,SWE,SWE2,SWX,SWX2,SX,SXC,SXE,SXE8,SXQ4,VMQ3,VMT2,VMT3,VSB4,VSB5,VSP,VS4,VS6,VTE5,VX,VXE,VXE8,VXK,VXU1,VX8
			-	1		
16	16592-883-310	SPRING, CABLE RETURN .....	1	1	-----	LH,LHB5,LHP1,LH2,LT,LXE8,LXE9,LXU,PX,PXE8,PXU,QAA2,QAA6,QAPW,QA2,QA26,QBE1,QH,QHB1,QHB3,QHB5,QHP1,QMH,QN,QP,QT,QTD,QTN,QX,QXE,QXEK,QXE8,QXK,QXQ4,QXU,SH,SHE,SN,SWE,SWE2,SWX,SWX2,SX,SXC,SXE,SXE8,SXQ4
	16592-Z1C-810	.....	1	-	-----	QBLS,QBS
17	16594-883-010	HOLDER, WIRE .....	1	1	-----	LT,QBE1,QBLS,QBS,QHB1,QTD
18	90013-883-000	BOLT, FLANGE, 6X12(CT200) ...	2	-	-----	ES2,ES3,LH,LHB5,LHP1,LH2,LP,LT,LXE8,LXE9,LXU,PX,PXE8,PXU,QAA2,QAA6,QAPW,QA2,QA26,QBE1,QH,QHB1,QHB3,QHB5,QHP1,QMH,QN,QP,QT,QTD,QTN,QX,QXE,QXEK,QXE8,QXK,QXQ4,QXU,SH,SHE,SN,SWE,SWE2,SWX,SWX2,SX,SXC,SXE,SXE8,SXQ4,VMQ3,VMT2,VMT3,VSB4,VSB5,VSP,VS4,VS6,VTE5,VX,VXE,VXE8,VXK,VXU1,VX8
	90013-Z0T-810	.....	-	2		
			2	-	-----	QBLS,QBS
19	90015-ZE5-010	BOLT, GOVERNOR ARM .....	1	1	-----	ES2,ES3,LH,LHB5,LHP1,LH2,LT,LXE8,LXE9,LXU,PX,PXE8,PXU,QAA2,QAA6,QA2,QA26,QBE1,QBLS,QBS,QH,QHB1,QHB3,QHB5,QMH,QN,QP,QT,QTD,QTN,QX,QXE,QXEK,QXE8,QXK,QXQ4,QXU,SH,SHE,SN,SWE,SWE2,SWX,SWX2,SX,SXC,SXE,SXE8,SXQ4,VMQ3,VMT,VMT2,VMT3,VSB3,VSB4,VSB5,VS4,VS6,VTE5,VX,VXE,VXE8,VXK,VXU1,VX8
	90015-Z5T-000	.....	1	-	-----	QAPW,QHP1,VSP
20	90114-SA0-000	NUT, SELF-LOCK, 6MM .....	1	1	-----	QAPW,QHP1,VSP LH,LHB5,LHP1,LH2,LT,LXE8,LXE9,LXU,PX,PXE8,PXU,QAA2,QAA6,QAPW,QA2,QA26,QBE1,QBLS,QBS,QH,QHB1,QHB3,QHB5,QHP1,QMH,QN,QP,QT,QTD,QTN,QX,QXE,QXEK,QXE8,QXK,QXQ4,QXU,SH,SHE,SN,SWE,SWE2,SWX,SWX2,SX,SXC,SXE,SXE8,SXQ4,VTE5,VX,VXE
21	90605-230-000	CIRCLIP, 5MM .....	1	1	-----	LT,QBE1,QHB1,QTD
	94540-05018	E-RING, 5MM .....	1	-	-----	QBLS,QBS
22	93500-04006-OH	SCREW, PAN, 4X6 .....	1	1	-----	LT,QBE1,QBLS,QBS,QHB1,QTD
23	93500-05016-OA	SCREW, PAN, 5X16 .....	1	-	-----	QBLS,QBS
24	93500-05032-OA	SCREW, PAN, 5X32 .....	1	1	-----	LH,LHB5,LHP1,LH2,LT,LXE8,LXE9,LXU,PX,PXE8,PXU,QAA2,QAA6,QAPW,QA2,QA26,QBE1,QH,QHB1,QHB3,QHB5,QHP1,QMH,QN,QP,QT,QTD,QTN,QX,QXE,QXEK,QXE8,QXK,QXQ4,QXU,SH,SHE,SN,SWE,SWE2,SWX,SWX2,SX,SXC,SXE,SXE8,SXQ4,VTE5,VX,VXE
	93500-05025-OH	SCREW, PAN, 5X25 .....	1	-	-----	QBLS,QBS
25	93500-05045-OA	SCREW, PAN, 5X45 .....	1	1	-----	VSP,VXE8,VXK,VXU1,VX8
26	94050-06000	NUT, FLANGE, 6MM .....	1	-	-----	ES2,ES3,LH,LHB5,LHP1,LH2,LT,LXE8,LXE9,LXU,PX,PXE8,PXU,QAA2,QAA6,QAPW,QA2,QA26,QBE1,QBLS,QBS,QH,QHB1,QHB3,QHB5,QHP1,QMH,QN,QP,QT,QTD,QTN,QX,QXE,QXEK,QXE8,QXK,QXQ4,QXU,SH,SHE,SN,SWE,SWE2,SWX,SWX2,SX,SXC,SXE,SXE8,SXQ4,VMQ3,VMT2,VMT3,VSB4,VSB5,VSP,VS4,VS6,VTE5,VX,VXE,VXE8,VXK,VXU1,VX8
			-	1		
27	16599-ZG1-M10	COLLAR, STOPPER .....	(1)	(1)	-----	QHB1,QXQ4,SXQ4
28	90016-ZG9-N30	SCREW, RECESSED, 5X25 .....	(1)	(1)	-----	QHB1,QXQ4,SXQ4
29	16550-ZE3-700	ARM COMP., GOVERNOR .....	1	1	-----	ES2,ES3,VMQ3,VMT,VMT2,VMT3,VSB3,VSB4,VSB5,VS4,VS6
30	16570-ZE3-710	CONTROL ASSY. ....	1	1	-----	ES2,ES3,VMQ3,VMT,VMT2,VMT3,VSB3,VSB4,VSB5,VS4,VS6





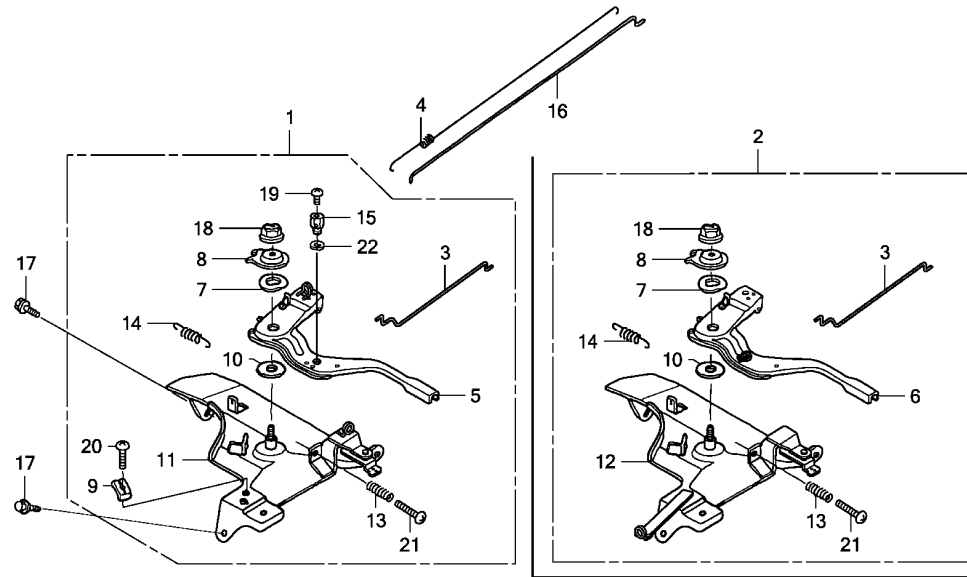


Ref. No.	Part No.	Description	Reqd. QTY		Serial No.	Parts catalogue code
			GX 390 T1	GX 390 T2		
31	93500-05035-0A	SCREW, PAN, 5X35 .....	1	1	-----	ES2,ES3,VMQ3,VMT,VMT2,VMT3,USB3,USB4,USB5,VS4,VS6
32	16576-891-000	HOLDER, CABLE .....	1	1	-----	LH,LHB5,LHP1,LH2,LT,LXE8,LXE9,LXU,PX,PXE8,PXU,QAA2,QAA6,QAPW,QA2,QA26 QBE1,QH,QHB1,QHB3,QHB5,QHP1,QMH,QN,QP,QT,QTD,QTN,QX,QXE,QXEK,QXE8,QXK QXQ4,QXU,SH,SHE,SWE,SWE2,SWX,SWX2,SX,SXC,SXE,SXE8,SXQ4
33	93500-05016-0A	SCREW, PAN, 5X16 .....	1	1	-----	LH,LHB5,LHP1,LH2,LT,LXE8,LXE9,LXU,PX,PXE8,PXU,QAA2,QAA6,QAPW,QA2,QA26 QBE1,QH,QHB1,QHB3,QHB5,QHP1,QMH,QN,QP,QT,QTD,QTN,QX,QXE,QXEK,QXE8,QXK QXQ4,QXU,SH,SHE,SWE,SWE2,SWX,SWX2,SX,SXC,SXE,SXE8,SXQ4

# E-22-1

# CONTROL(2)

G 8

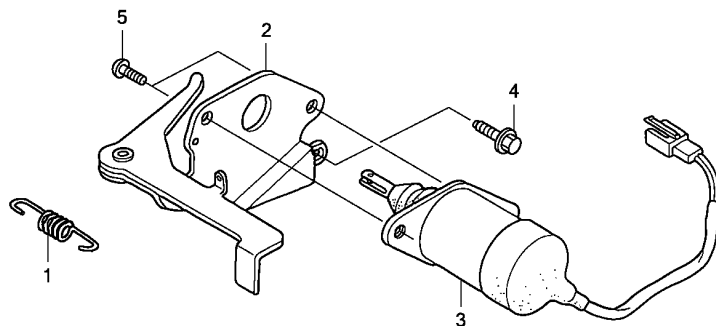


Z1C0E2201

Ref. No.	L.O.N.	(Relative ref. Number) Description	F.R.T.
1	1161A5	CONTROL, THROTTLE/GOVERNOR ...	0.2
4	1161C2	SPRING, THROTTLE RETURN .....	0.3
5		(6)	
	1161A8	LEVER, CONTROL .....	0.3
11		(12)	
	1161A2	BASE, CONTROL .....	0.3
16	8101R4	ROD, THROTTLE .....	0.3

Ref. No.	Part No.	Description	Reqd. QTY		Serial No.	Parts catalogue code
			GX 390 T1	GX 390 T2		
1	16500-Z1C-810	CONTROL ASSY. (LONG-TAILED BOAT)	1	-	-----	QBH, QBHS
2	16500-Z1C-820	CONTROL ASSY. (BANKA) .....	1	-	-----	LBHB
3	16556-Z1C-810	ROD, CONTROL .....	1	-	-----	LBHB, QBH, QBHS
4	16562-Z1C-810	SPRING, THROTTLE RETURN .....	1	-	-----	LBHB, QBH, QBHS
5	16570-Z1C-810	LEVER COMP., CONTROL .....	1	-	-----	QBH, QBHS
6	16570-Z1C-820	LEVER COMP., CONTROL .....	1	-	-----	LBHB
7	16574-ZE1-000	SPRING, LEVER .....	1	-	-----	LBHB, QBH, QBHS
8	16575-Z1C-810	WASHER, CONTROL LEVER .....	1	-	-----	LBHB, QBH, QBHS
9	16576-891-000	HOLDER, CABLE .....	1	-	-----	QBH, QBHS
10	16578-ZE1-000	SPACER, CONTROL LEVER .....	1	-	-----	LBHB, QBH, QBHS
11	16580-Z1C-810	BASE COMP., CONTROL .....	1	-	-----	QBH, QBHS
12	16580-Z1C-820	BASE COMP., CONTROL .....	1	-	-----	LBHB
13	16584-883-300	SPRING, CONTROL ADJUSTING ...	1	-	-----	LBHB, QBH, QBHS
14	16592-Z1C-810	SPRING, CABLE RETURN .....	1	-	-----	LBHB, QBH, QBHS
15	16594-883-010	HOLDER, WIRE .....	1	-	-----	QBH, QBHS
16	17841-Z1C-810	ROD, THROTTLE .....	1	-	-----	LBHB, QBH, QBHS
17	90013-ZOT-810	BOLT, FLANGE, 6X12(CT200) ...	2	-	-----	LBHB, QBH, QBHS
18	90114-SAO-000	NUT, SELF-LOCK, 6MM .....	1	-	-----	LBHB, QBH, QBHS
19	93500-04006-OH	SCREW, PAN, 4X6 .....	1	-	-----	QBH, QBHS
20	93500-05016-OA	SCREW, PAN, 5X16 .....	1	-	-----	QBH, QBHS
21	93500-05025-OH	SCREW, PAN, 5X25 .....	1	-	-----	LBHB, QBH, QBHS
22	94540-05018	E-RING, 5MM .....	1	-	-----	QBH, QBHS

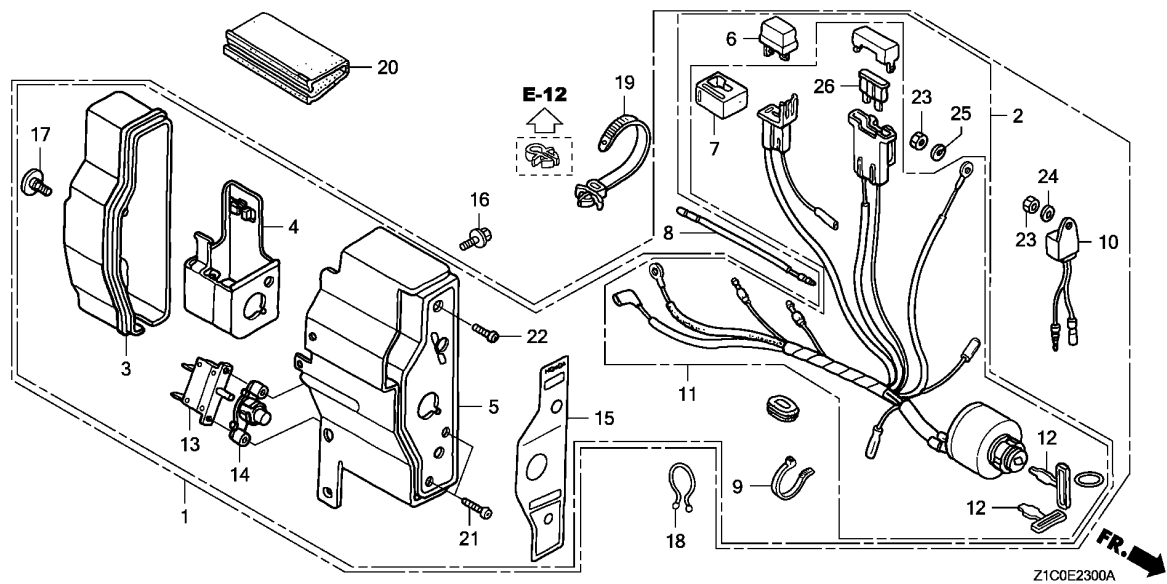
2



FR. Z1C0E2220

Ref. No.	L.O.N.	(Relative ref. Number) Description	F.R.T.
2	8101H1	LEVER, THROTTLE .....	0.2
3	6211C5	SOLENOID, AUTO THROTTLE .....	0.3

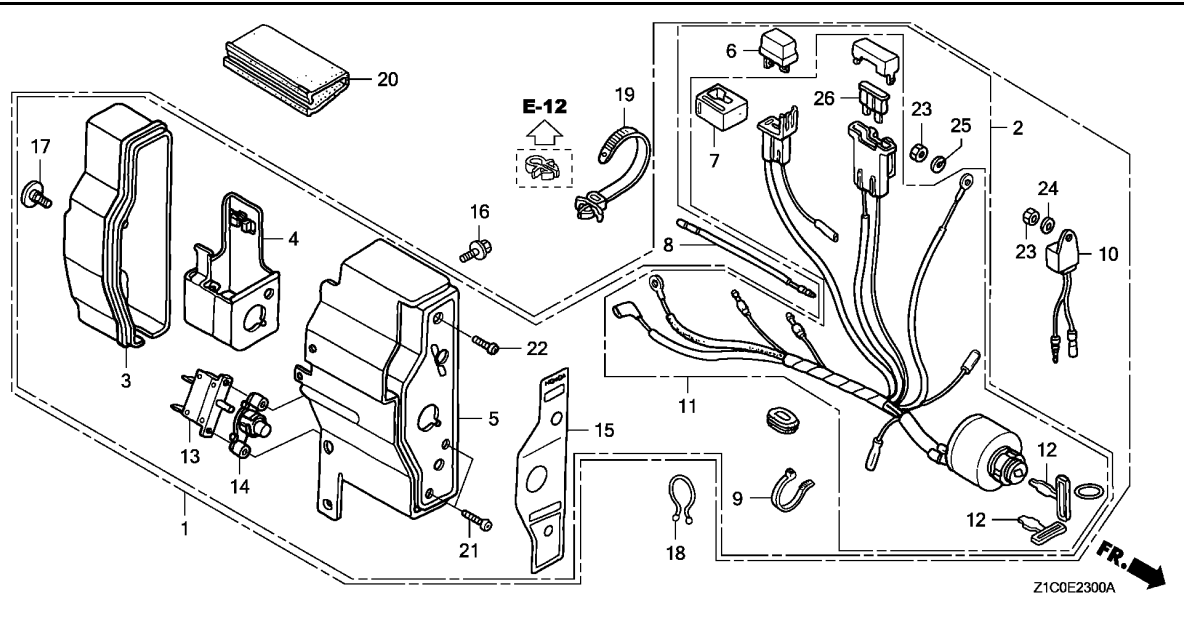
Ref. No.	Part No.	Description	Reqd. QTY		Serial No.	Parts catalogue code
			GX 390 T1	GX 390 T2		
1	16268-893-000	SPRING, CHOKE RETURN .....	1	1	-----	VMQ3,VMT,VMT2,VMT3
2	17850-ZD1-E30	LEVER COMP., THROTTLE .....	1	1	-----	VMQ3,VMT,VMT2,VMT3
3	36160-ZB4-013	SOLENOID ASSY. ....	1	1	-----	VMQ3,VMT,VMT2,VMT3
4	90013-883-000	BOLT, FLANGE, 6X12(CT200) ...	1	1	-----	VMQ3,VMT,VMT2,VMT3
5	93500-05008-0A	SCREW, PAN, 5X8 .....	2	2	-----	VMQ3,VMT,VMT2,VMT3



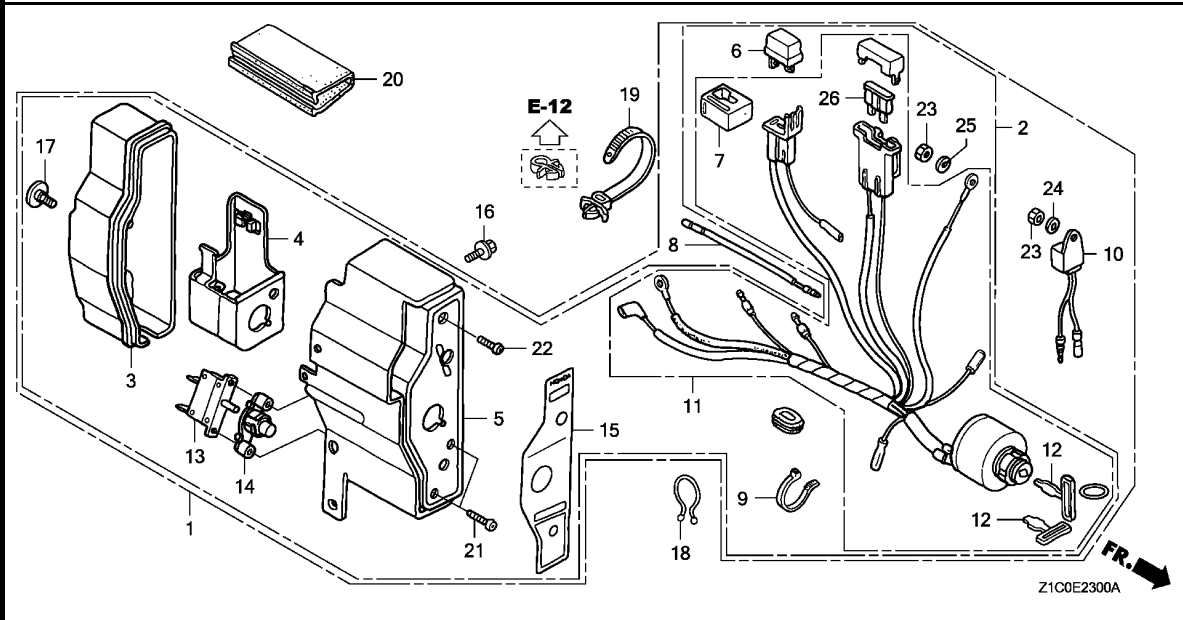
Ref. No.	L.O.N.	(Relative ref. Number) Description	F.R.T.
1		(2)	
6221N7		BOX, ENGINE CONTROL .....	0.1
6221P7		PANEL, ENGINE CONTROL .....	0.2
6131B8		RECTIFIER, SILICON .....	0.2
6151K4		ALERT UNIT, ENGINE CONTROL OIL .....	0.2
6151E1		SWITCH, COMBINATION .....	0.2
6221D4		PROTECTOR, CIRCUIT .....	0.2
8121A7		FUSE, BLADE .....	0.1

Ref. No.	Part No.	Description	Reqd. QTY		Serial No.	Parts catalogue code
			GX 390 T1	GX 390 T2		
1	31610-ZE3-W13ZE	BOX ASSY., CONTROL	1	1	-----	LXE8,PXE8,QXE,QXEK,QXE8,SXE,SXE8,VMT,VMT2,VMT3,VTE5,VXE,VXE8,VXK,VXU1
	31610-Z5T-801ZA	BOX ASSY., CONTROL (EXP-ALERT)	1	-	1395131	LXE9
	31610-Z5T-802ZA	BOX ASSY., CONTROL (EXP-ALERT)	1	-	1395132	LXE9
		*R280*.....POWER RED	-	1	-----	LXE9
2	31610-ZE3-812ZD	BOX ASSY., CONTROL	1	1	-----	QBE1,SHE,SWE,SWE2
3	31612-ZE2-003	CASE, CONTROL	1	1	-----	LXE8,LXE9,PXE8,QBE1,QXE,QXEK,QXE8,SHE,SWE,SWE2,SXE,SXE8,VMT,VMT2,VMT3,VTE5,VXE,VXE8,VXK,VXU1
4	31614-ZE2-003	BRACKET, CASE MOUNTING	1	1	-----	LXE8,LXE9,PXE8,QBE1,QXE,QXEK,QXE8,SHE,SWE,SWE2,SXE,SXE8,VMT,VMT2,VMT3,VTE5,VXE,VXE8,VXK,VXU1
5	31615-ZE3-003ZE	PANEL COMP., CONTROL	1	1	-----	LXE8,LXE9,PXE8,QBE1,QXE,QXEK,QXE8,SHE,SWE,SWE2,SXE,SXE8,VMT,VMT2,VMT3,VTE5,VXE,VXE8,VXK,VXU1
6	31700-124-008	RECTIFIER ASSY., SILICON (SHINDENGEN)	1	1	-----	LXE8,LXE9,PXE8,QBE1,QXE,QXEK,QXE8,SHE,SWE,SWE2,SXE,SXE8,VMT,VMT2,VMT3,VTE5,VXE,VXE8,VXK,VXU1
7	32127-738-700	SUSPENSION, COUPLER	1	1	-----	LXE8,LXE9,PXE8,QBE1,QXE,QXEK,QXE8,SHE,SWE,SWE2,SXE,SXE8,VMT,VMT2,VMT3,VTE5,VXE,VXE8,VXK,VXU1
8	32197-ZE1-003	HARNESS, SUB WIRE	1	1	-----	LXE8,LXE9,PXE8,QXE,QXEK,QXE8,SXE,SXE8,VMT,VMT2,VMT3,VTE5,VXE,VXE8,VXK,VXU1
9	32902-892-003	BAND	1	1	-----	LXE8,LXE9,PXE8,QBE1,QXE,QXEK,QXE8,SHE,SWE,SWE2,SXE,SXE8,VMT,VMT2,VMT3,VTE5,VXE,VXE8,VXK,VXU1
10	34150-ZH7-003	ALERT UNIT, OIL	1	-	-----	LXE8,LXE9,PXE8,QXE,QXEK,QXE8,SXE,SXE8,VTE5,VXE,VXE8,VXK,VXU1
	34150-ZH7-013	ALERT UNIT, OIL	1	1	-----	VMT,VMT2,VMT3
			-	1	-----	LXE9,QXE,QXEK,VTE5,VXE,VXK,VXU1



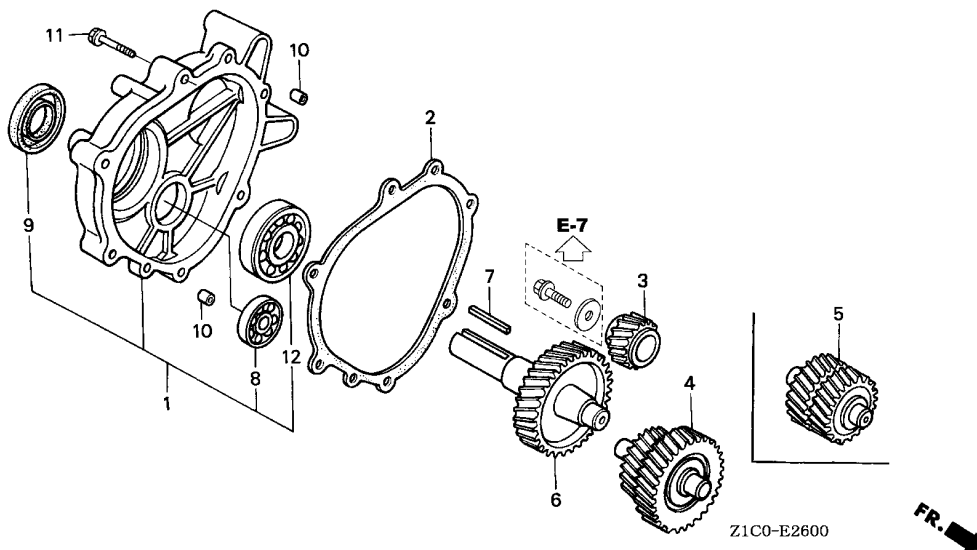


Ref. No.	Part No.	Description	Reqd. QTY		Serial No.	Parts catalogue code
			GX 390 T1	GX 390 T2		
11	35100-ZE2-023	SWITCH ASSY., COMBINATION ...	1	-	----- LXE8,PXE8,QXE8,SXE8,VXE8	
	35100-ZE2-033	.....	1	-	----- 1395131 LXE9,QXE,QXEK,SHE,SWE,SXE,VTE5,VXE,VXK,VXU1	
		.....	1	1	----- QBE1,SWE2,VMT,VMT2,VMT3	
		.....	1	-	----- 1395132 LXE9,QXE,QXEK,SHE,SWE,SXE,VTE5,VXE,VXK,VXU1	
		.....	-	1	----- LXE9,QXE,QXEK,VTE5,VXE,VXK,VXU1	
12	35111-880-013	KEY COMP. ....	2	2	----- LXE8,LXE9,PXE8,QBE1,QXE,QXEK,QXE8,SHE,SWE,SWE2,SXE,SXE8,VMT,VMT2,VMT3	
		.....			----- VTE5,VXE,VXE8,VXK,VXU1	
13	38240-VA3-900	PROTECTOR, CIRCUIT (1.0A) ...	1	1	----- LXE8,LXE9,PXE8,QBE1,QXE,QXEK,QXE8,SHE,SWE,SWE2,SXE,SXE8,VMT,VMT2,VMT3	
		.....			----- VTE5,VXE,VXE8,VXK,VXU1	
14	38250-ZA8-701	LENS ASSY., PROTECTOR .....	1	1	----- LXE8,LXE9,PXE8,QBE1,QXE,QXEK,QXE8,SHE,SWE,SWE2,SXE,SXE8,VMT,VMT2,VMT3	
		.....			----- VTE5,VXE,VXE8,VXK,VXU1	
15	87529-ZE2-812	MARK, CONTROL BOX (EXP) .....	1	1	----- LXE8,PXE8,QBE1,QXE,QXEK,QXE8,SHE,SWE,SWE2,SXE,SXE8,VMT,VMT2,VMT3,VTE5	
	87529-Z4T-840	MARK, CONTROL BOX (EXTERNAL)	1	1	----- VXE,VXE8,VXK,VXU1	
		.....			----- LXE9	
16	90013-883-000	BOLT, FLANGE, 6X12(CT200) ...	2	2	----- LXE8,LXE9,PXE8,QBE1,QXE,QXEK,QXE8,SHE,SWE,SWE2,SXE,SXE8,VMT,VMT2,VMT3	
		.....			----- VTE5,VXE,VXE8,VXK,VXU1	
17	90380-MA6-010	SCREW, SPECIAL, 6X12 .....	1	1	----- LXE8,LXE9,PXE8,QBE1,QXE,QXEK,QXE8,SHE,SWE,SWE2,SXE,SXE8,VMT,VMT2,VMT3	
		.....			----- VTE5,VXE,VXE8,VXK,VXU1	
18	90630-751-000	CLIP, PURSE LOCK .....	1	1	----- LXE8,LXE9,PXE8,QBE1,QXE,QXEK,QXE8,SHE,SWE,SWE2,SXE,SXE8,VMT,VMT2,VMT3	
		.....			----- VTE5,VXE,VXE8,VXK,VXU1	
19	90672-SA0-003	STRAP, CABLE, 118MM(BLACK) ..	1	1	----- LXE8,LXE9,PXE8,QBE1,QXE,QXEK,QXE8,SHE,SWE,SWE2,SXE,SXE8,VMT,VMT2,VMT3	
		.....			----- VTE5,VXE,VXE8,VXK,VXU1	
20	91406-ZE2-003	TUBE, FASTENER, 30MM .....	1	1	----- LXE8,LXE9,PXE8,QBE1,QXE,QXEK,QXE8,SHE,SWE,SWE2,SXE,SXE8,VMT,VMT2,VMT3	
		.....			----- VTE5,VXE,VXE8,VXK,VXU1	
21	93500-03012-0H	SCREW, PAN, 3X12 .....	2	2	----- LXE8,LXE9,PXE8,QBE1,QXE,QXEK,QXE8,SHE,SWE,SWE2,SXE,SXE8,VMT,VMT2,VMT3	
		.....			----- VTE5,VXE,VXE8,VXK,VXU1	



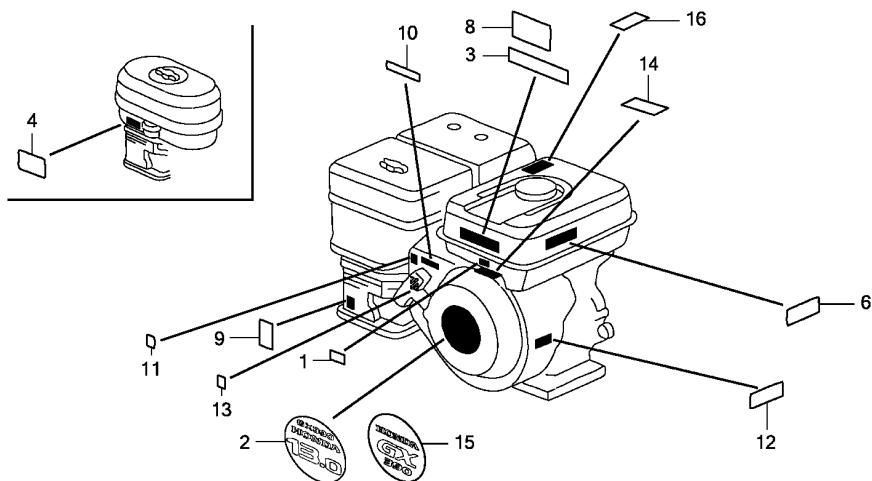
Ref. No.	Part No.	Description	Reqd. QTY		Serial No.	Parts catalogue code
			GX 390 T1	GX 390 T2		
22	93500-04012-0H	SCREW, PAN, 4X12	1	1	-----	LXE8,LXE9,PXE8,QBE1,QXE,QXEK,QXE8,SHE,SWE,SWE2,SXE,SXE8,VMT,VMT2,VMT3,VTE5,VXE,VXE8,VXK,VXU1
23	94001-04390-0S	NUT, HEX., 4MM	1	1	-----	QBE1,SHE,SWE,SWE2
			2	2	-----	LXE8,LXE9,PXE8,QXE,QXEK,QXE8,SXE,SXE8,VMT,VMT2,VMT3,VTE5,VXE,VXE8,VXK,VXU1
24	94101-04800	WASHER, PLAIN, 4MM	1	1	-----	LXE8,LXE9,PXE8,QXE,QXEK,QXE8,SXE,SXE8,VMT,VMT2,VMT3,VTE5,VXE,VXE8,VXK,VXU1
25	94111-04800	WASHER, SPRING, 4MM	1	1	-----	LXE8,LXE9,PXE8,QBE1,QXE,QXEK,QXE8,SHE,SWE,SWE2,SXE,SXE8,VMT,VMT2,VMT3,VTE5,VXE,VXE8,VXK,VXU1
26	98200-30500	FUSE, BLADE (5A)	1	1	-----	LXE8,LXE9,PXE8,QBE1,QXE,QXEK,QXE8,SHE,SWE,SWE2,SXE,SXE8,VMT,VMT2,VMT3,VTE5,VXE,VXE8,VXK,VXU1





Ref. No.	L.O.N.	(Relative ref. Number) Description	F.R.T.
1	2141L1	COVER, REDUCTION GEAR CASE ...	0.2
2	2141Q0	PACKING, REDUCTION CASE .....	0.2
3	2141L2	GEAR, PRIMARY DRIVE .....	0.2
4		(5)	
	2091A2	COUNTERSHAFT .....	0.2
6	2141H4	SHAFT, POWER TAKE OFF .....	0.2
8	2101B0	BEARING, COUNTERSHAFT .....	0.3
9	2141F2	OIL SEAL, POWER TAKE OFF SHAFT	0.3
12	2141A8	BEARING, POWER TAKE OFF SHAFT	0.3

Ref. No.	Part No.	Description	Reqd. QTY		Serial No.	Parts catalogue code
			GX 390 T1	GX 390 T2		
1	11500-ZE3-611	COVER ASSY., GEAR CASE .....	1	-	-----	LBHB,LH,LHB5,LHP1,LH2,LP,LXE8,LXE9,LXU
	11500-ZK3-800	.....	1	-	-----	LT
	11500-Z8T-610	.....	-	1	-----	LH,LHB5,LHP1,LH2,LXE9
2	11521-ZE2-800	PACKING, CHAIN CASE COVER ...	1	1	-----	LBHB,LH,LHB5,LHP1,LH2,LP,LT,LXE8,LXE9,LXU
3	22103-ZE3-W00	GEAR, PRIMARY DRIVE (BANKA)				
	(27T)		1	1	-----	LBHB,LHP1,LP
	22103-ZE3-610	GEAR, PRIMARY DRIVE (22T) ...	1	1	-----	LH,LHB5,LH2,LT,LXE8,LXE9,LXU
4	23220-ZE3-610	COUNTERSHAFT COMP. (21T/27T)	1	1	-----	LH,LHB5,LH2,LT,LXE8,LXE9,LXU
5	23222-ZE3-W00	GEAR, COUNTER (BANKA) (21T) ..	1	1	-----	LBHB,LHP1,LP
6	23710-ZE3-610	SHAFT, P.T.O. (33T) .....	1	1	-----	LBHB,LH,LHB5,LH2,LP,LXE8,LXE9,LXU
	23710-ZF6-Y30	SHAFT, P.T.O. (HPI) (33T) .....	1	1	-----	LHP1
	23710-ZK3-800	SHAFT, P.T.O. (33T) .....	1	-	-----	LT
7	90745-ZK2-800	KEY, 6.3X6.3X33 .....	1	-	-----	LT
	90741-805-000	KEY, 7X7X33 .....	1	1	-----	LBHB,LH,LHB5,LHP1,LH2,LP,LXE8,LXE9,LXU
	90741-889-810	KEY, 7X7X33(YELLOW) (O/S) .....	(1)	(1)	-----	LBHB,LH,LHB5,LHP1,LH2,LP,LXE8,LXE9,LXU
8	91009-KJ1-003	BEARING, RADIAL BALL, 6202				
	(NTN)		1	1	-----	LBHB,LH,LHB5,LHP1,LH2,LP,LT,LXE8,LXE9,LXU
9	91201-890-003	OIL SEAL, 30X46X8 .....	1	-	-----	LBHB,LH,LHB5,LHP1,LH2,LP,LT,LXE8,LXE9,LXU
	91201-Z1D-003	.....	-	1	-----	LH,LHB5,LHP1,LH2,LXE9
10	94301-08140	DOWEL PIN, 8X14 .....	2	2	-----	LBHB,LH,LHB5,LHP1,LH2,LP,LT,LXE8,LXE9,LXU
11	95701-08040-00	BOLT, FLANGE, 8X40 .....	6	6	-----	LBHB,LH,LHB5,LHP1,LH2,LP,LT,LXE8,LXE9,LXU
12	96100-62060-00	BEARING, RADIAL BALL, 6206 ..	1	1	-----	LBHB,LH,LHB5,LHP1,LH2,LP,LT,LXE8,LXE9,LXU



Z1C0E2800J

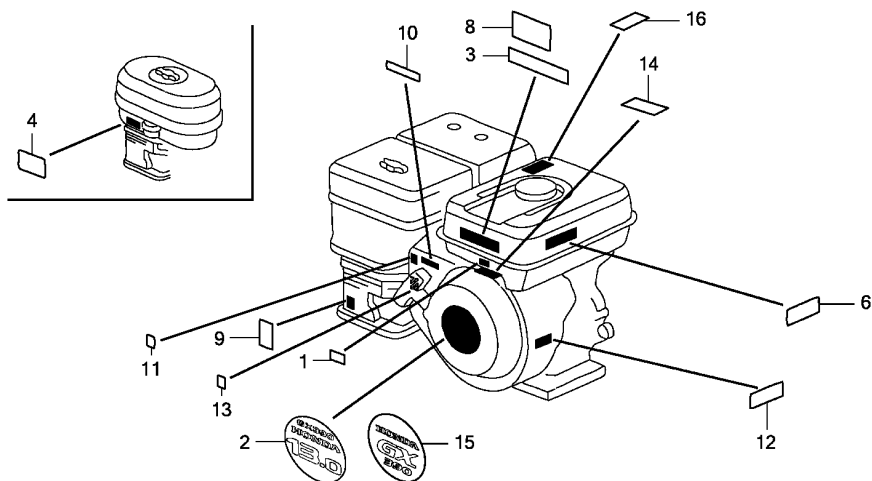
Ref. L.O.N. (Relative ref. Number) F.R.T.  
No. Description

NO INFORMATION .....

Ref. No.	Part No.	Description	Reqd. QTY		Serial No.	Parts catalogue code
			GX 390 T1	GX 390 T2		
1	87135-ZE2-020	LABEL, E-SPEC (15.5X27.5) ...	1	-	-----	LH,LHB5,LHP1,LP,LT,LXE8,LXU,PX,PXE8,PXU,QH,QHB3,QHB5,QHP1,QMH,QP,QT,QX,QXE,QXE8,QXQ4,QXU,SH,SHE,SN,SWE,SWX,SX,SXC,SXE,SXE8,SXQ4,VX,VXE,VXE8,VXU1,VX8
2	87521-ZF6-W03	EMBLEM (GX390 HONDA 13.0) ...	1	-	-----	LXE8,LXU,PXE8,PXU,QAA2,QAA6,QA2,QA26,QXE8,QXQ4,QXU,SXE8,SXQ4,VXE8,VX8
3	87522-Z0T-800	LABEL, CAUTION .....	1	1	-----	LH,LHB5,LT,LXE9,PX,QH,QHB3,QHB5,QHP1,QMH,QP,QT,QTD,QX,QXE,QXEK,QXK,SH,SHE,SN,SWE,SWX,SX,SXC,SXE,VSP,VTE5,VX,VXE,VXK,VXU1
	87522-Z0T-810	LABEL, CAUTION (THAI) .....	1	1	-----	LH,LHB5,LHP1,LP,LXE8,LXU,PX,PXE8,PXU,QAA2,QAA6,QA2,QA26,QH,QHB3,QHB5,QHP1,QMH,QN,QP,QX,QXE,QXE8,QXU,SH,SHE,SN,SWE,SWX,SX,SXC,SXE,SXE8,VX,VXE,VXE8,VXU1,VX8
	87516-Z0S-800	MARK, OPERATOR CAUTION .....	1	1	-----	LT,QT,QTD,QTN
4	87524-Z0T-800	MARK, AIR CLEANER CAUTION (COIL BATH)	1	1	-----	LXE9,QXEK,QXK,VXK
	87524-Z0S-800	.....	1	-	-----	LT,QP,QT,QTD,QTN,SWX
	87524-Z0S-801	.....	1	-	1473299	LH2,SWE2,SWX2
		.....	-	1	1473300	SWE2,SWX2
		.....	-	1	-----	SWE2,SWX2
6	87532-ZH8-810	MARK, OIL ALERT (ENGLISH) ...	1	1	-----	LXE8,LXU,PX,PXE8,PXU,QAA2,QAA6,QA2,QA26,QX,QXE,QXEK,QXE8,QXK,QXU,SWX,SWX2,SX,SXC,SXE,SXE8,VX,VXE,VXE8,VXK,VXU1,VX8
	87532-ZB4-H50	MARK, OIL ALERT (FRENCH) ....	1	-	-----	QA26
8	87516-Z0T-800	MARK, OPERATOR CAUTION .....	1	-	-----	QBE1,QHB1,QXQ4,SXQ4,VSP
	87516-Z4H-000	MARK, OPERATOR CAUTION (ENGLISH)(MADE IN THAI)	1	-	-----	QAPW
	87516-Z4H-810	MARK, OPERATOR CAUTION (PICTOGRAPH)(MADE IN THAI)	(1)	-	-----	QAPW,QBE1,QHB1
	87519-Z4H-000	MARK, OPERATOR CAUTION (PICTOGRAPH)	-	1	-----	QBE1,QHB1,VSP
	87516-Z4H-010	MARK, OPERATOR CAUTION (ENGLISH)(MADE IN THAI)	-	1	-----	QAPW



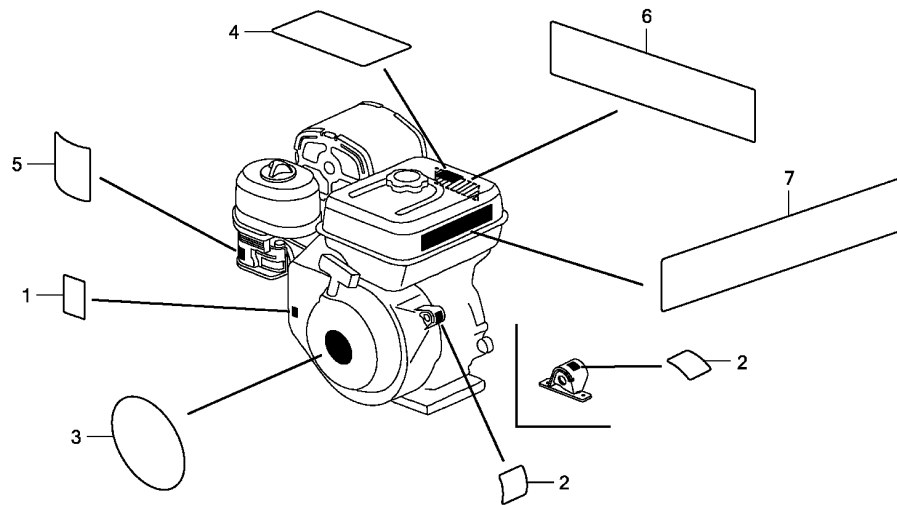




Z1C0E2800J



Ref. No.	Part No.	Description	Reqd. QTY		Serial No.	Parts catalogue code
			GX 390 T1	GX 390 T2		
9	87528-ZE2-810	MARK, CHOKE (ORANGE) .....	1	1	-----	LH,LHB5,LHP1,LH2,LXE8,LXU,PX,PXE8,PXU,QAA2,QAA6,QA2,QA26,QH,QHB3,QHB5,QMH,QN,QP,QX,QXE,QXEK,QXE8,QXK,QXU,SH,SHE,SN,SWE,SWE2,SWX,SWX2,SX,SXC,SXE,SXE8,VTE5,VX,VXE,VXE8,VXK,VXU1,VX8
	87528-ZF6-W40	MARK, CHOKE (BLACK) .....	1	-	-----	QHP1
	87528-ZH7-000	MARK, CHOKE (GRAY) .....	1	1	-----	QXQ4,SXQ4
	87528-Z0T-800	MARK, CHOKE (THAI) .....	1	1	-----	LXE9,QBE1,QHB1
	87528-Z5T-000	MARK, CHOKE .....	1	-	-----	QAPW,VSP
10	87532-ZH8-W40	MARK, THROTTLE INDICATION .....	1	-	-----	LT,QT,QTD,QTN
	87532-ZH7-000	.....	1	1	-----	QAPW,QHP1,VSP
		.....	1	1	-----	QXQ4,SXQ4
11	87135-ZE2-020	LABEL, E-SPEC (15.5X27.5) ...	1	-	-----	LXE9,QAPW,QBE1,QHB1
12	87532-ZH8-810	MARK, OIL ALERT (ENGLISH) ...	1	-	-----	VTE5
13	87114-ZH7-000	LABEL, WARNING (NOT CERTIFIED FOR SALE)	1	1	-----	VTE5
		.....	-	1	-----	ES2,ES3,LH2,LXE9,QN,QTD,QTN,QXEK,QXK,SWE2,SWX2,VMQ3,VMT,VMT2,VMT3
		.....	-	1	-----	VSB3,VSB4,VSB5,VS4,VS6,VXK
		.....	-	1	-----	LH,LHB5,LHP1,PX,QH,QHB3,QHB5,QHP1,QMH,QP,QX,QXE,SH,SWX,SX,SXC,VTE5,VX
		.....	-	1	-----	VXE,VXU1
	87114-ZH7-840	.....	1	1	-----	QBE1,QHB1,VSP
	87114-ZH7-821	.....	1	1	-----	QAPW
14	87516-Z0S-810	MARK, OPERATOR CAUTION .....	1	1	-----	ES2,LH2,SWE2,SWX2,VMT2
15	87521-ZF6-W04	EMBLEM (HONDA GX390) .....	1	1	-----	LH2,QBE1,QHB1,QN,QTN,SWE2,SWX2,VMQ3,VMT,VMT2,VMT3
		.....	1	-	-----	QAPW
		.....	1	-	1363843	LH,LHB5,LT,LXE9,PX,QH,QHB3,QHB5,QHP1,QMH,QP,QT,QTD,QX,QXE,QXEK,QXK,SH
		.....	-	1	-----	SHE,SN,SWE,SWX,SX,SXC,SXE,VSP,VTE5,VX,VXE,VXK,VXU1
		.....	-	1	-----	LH,LHB5,LXE9,PX,QH,QHB3,QHB5,QMH,QP,QTD,QX,QXE,QXEK,QXK,SH,SWX,SX,SXC
		.....	-	1	-----	VTE5,VX,VXE,VXK,VXU1
	87521-Z5T-000	EMBLEM .....	-	1	-----	QAPW,QHP1,VSP
16	87539-Z0J-000	MARK, EX. CAUTION (ENGLISH) .....	-	1	-----	QAPW



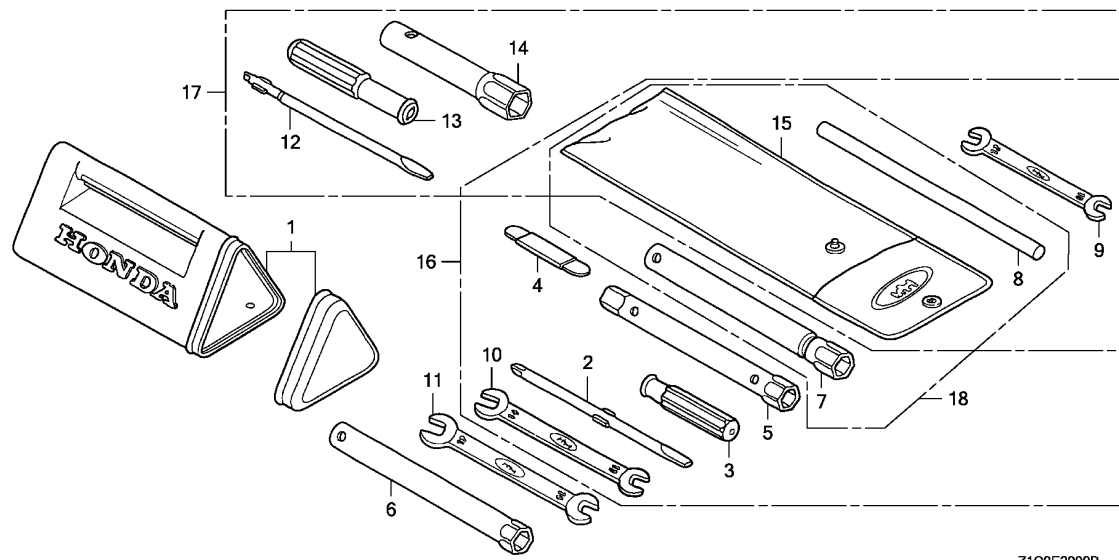
Z1C0E2801

Ref. L.O.N. (Relative ref. Number) F.R.T.  
No. Description

NO INFORMATION .....

Ref. No.	Part No.	Description	Reqd. QTY		Serial No.	Parts catalogue code
			GX 390 T1	GX 390 T2		
1	87114-ZH7-000	LABEL, WARNING (NOT CERTIFIED FOR SALE)	1	-	-----	LBHB, QBH, QBHS, QBLS, QBS
2	87124-ZOT-800	MARK, STOP SWITCH .....	1	-	-----	LBHB, QBH, QBHS, QBLS, QBS
3	87521-Z1C-810	EMBLEM .....	1	-	-----	QBLS, QBS
	87521-Z1C-820	.....	1	-	-----	LBHB, QBH, QBHS
4	87522-ZOT-820	LABEL, CAUTION .....	1	-	-----	LBHB, QBH, QBHS, QBLS, QBS
5	87528-ZE2-810	MARK, CHOKE (ORANGE) .....	1	-	-----	LBHB, QBH, QBHS, QBLS, QBS
6	87531-ZOT-800	MARK, HONDA .....	1	-	-----	LBHB, QBH, QBHS, QBLS, QBS
7	87602-ZOT-800	MARK, SALES POINT .....	1	-	-----	LBHB, QBH, QBHS



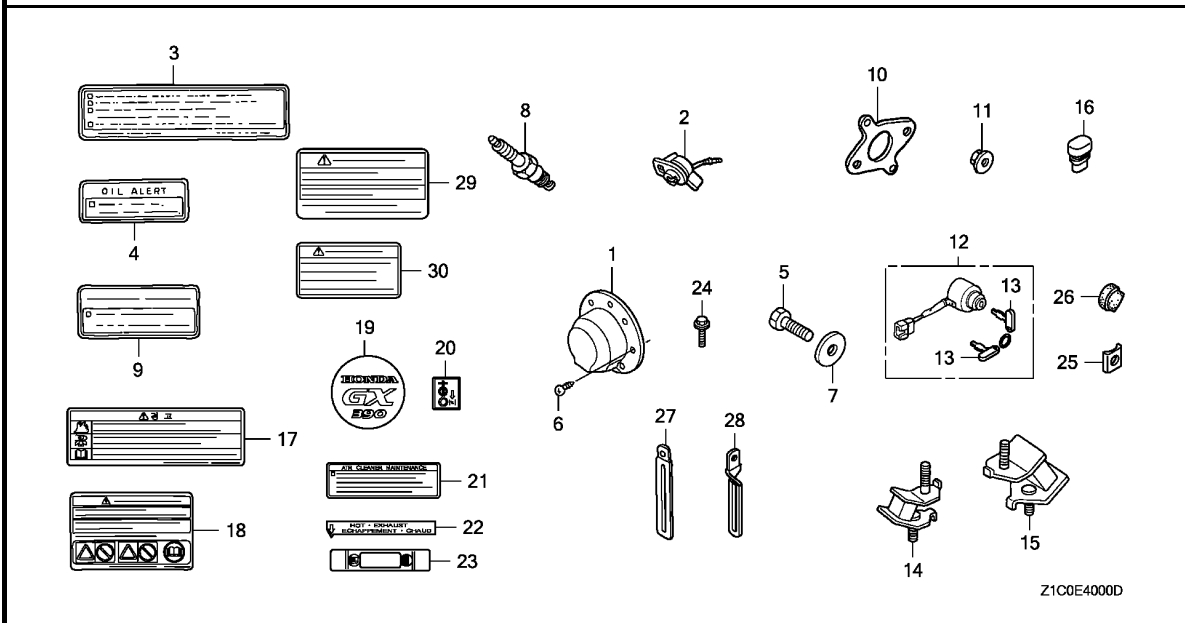


Z1C0E2900B

Ref. L.O.N. (Relative ref. Number) F.R.T.  
No. Description

NO INFORMATION .....

Ref. No.	Part No.	Description	Reqd. QTY		Serial No.	Parts catalogue code
			GX 390 T1	GX 390 T2		
1	83501-ZF1-000	BOX, TOOL .....	1	1	-----	LT,QHB3,QN,QT,QTD,SWX,SWX2,VSB3,VSB4,VSB5
2	89102-538-000	DRIVER, SCREW (NO.2 + -) .....	1	1	-----	LT,QHB3,QN,QT,QTD,SWX,SWX2,VSB3,VSB4,VSB5
3	89103-538-000	GRIP .....	1	1	-----	LT,QHB3,QN,QT,QTD,SWX,SWX2,VSB3,VSB4,VSB5
4	89210-ZF1-000	GAUGE ASSY., THICKNESS .....	1	1	-----	LT,QHB3,QN,QT,QTD,SWX,SWX2,VSB3,VSB4,VSB5
5	89216-ZF1-000	WRENCH, BOX .....	1	1	-----	LT,QHB3,QN,QT,QTD,SWX,SWX2,VSB3,VSB4,VSB5
6	89216-Z0T-800	WRENCH, SPARK PLUG .....	1	1	-----	LBHB,LHP1,LT,QAA2,QAA6,QAPW,QA2,QA26,QBH,QBHS,QBLS,QBS,QHB3,QHP1,QMH,QN,QP,QT,QTD,QTN,SWX,SWX2
	89216-ZB4-000	WRENCH, PLUG .....	(1)	-	-----	LP
7	89218-ZE1-000	WRENCH COMP., SPARK PLUG .....	1	1	-----	ES2,ES3,VMQ3,VMT,VMT2,VMT3,VS4,VS6
8	89219-805-000	HANDLE, BOX WRENCH .....	1	1	-----	SN,VSB3,VSB4,VSB5
	99005-01000	BAR A, HANDLE .....	1	1	-----	LBHB,LHP1,LT,QBH,QBHS,QBLS,QBS,QHB3,QHP1,QMH,QN,QP,QT,QTD,QTN,SN,SWX,SWX2,VSB3,VSB4,VSB5
9	99001-10120	SPANNER, 10X12 .....	1	1	-----	LHB5,QHB5
	99001-10140	SPANNER, 10X14 .....	1	1	-----	LBHB,LHB5,LHP1,LT,QBH,QBHS,QBLS,QBS,QHB3,QHB5,QHP1,QMH,QN,QP,QT,QTD,QTN,SWX,SWX2,VSB3,VSB4,VSB5
10	99001-10140	SPANNER, 10X14 .....	1	1	-----	LT,QHB3,QN,QT,QTD,SWX,SWX2,VSB3,VSB4,VSB5
11	99001-14170	SPANNER, 14X17 .....	1	1	-----	LHP1,QHP1,QMH,QP
12	99003-30000	DRIVER MINUS SCREW 3,(NO.2) .....	1	1	-----	LHB5,QHB5
13	99003-50000	GRIP, SCREW DRIVER .....	1	1	-----	LHB5,QHB5
14	99004-21003	WRENCH, BOX (P21) .....	1	1	-----	LHB5,QHB5
15	99008-02000	BAG, TOOL, 200MM .....	1	1	-----	LHB5,QHB5
	99008-02300	BAG, TOOL, 230MM .....	1	1	-----	LBHB,LHP1,LT,QBH,QBHS,QBLS,QBS,QHB3,QHP1,QMH,QN,QP,QT,QTD,QTN,SN,SWX,SWX2,VSB3,VSB4,VSB5
16	89001-ZF1-000	BAG SET, TOOL .....	1	1	-----	VSB3,VSB4,VSB5
17	89000-ZB6-000	TOOL KIT .....	1	1	-----	LHB5,QHB5
18	89000-ZH7-T00	TOOL KIT .....	1	-	-----	SN

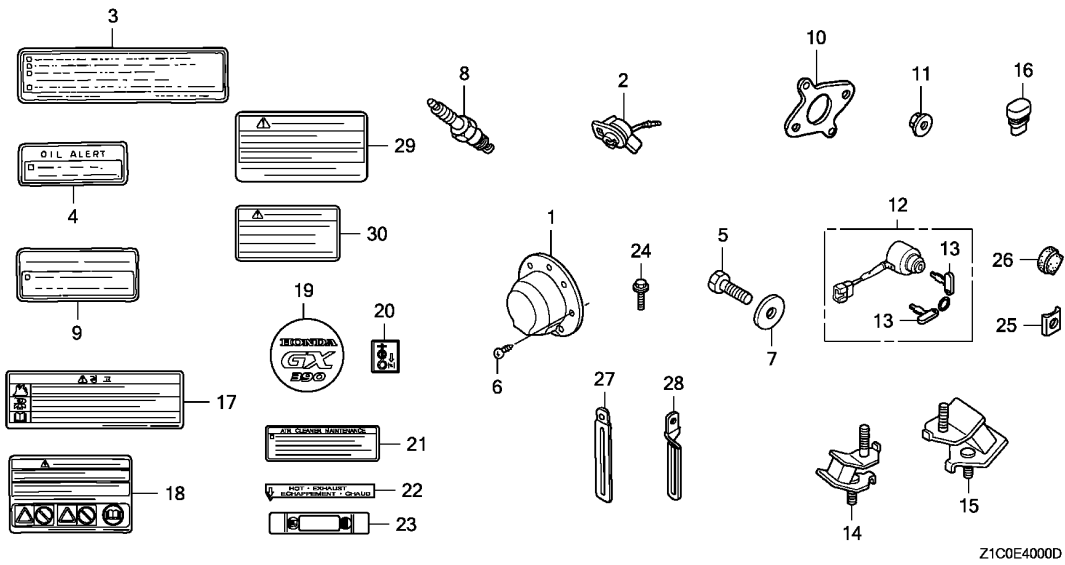


Ref. No.	L.O.N.	(Relative ref. Number) Description	F.R.T.
----------	--------	------------------------------------	--------

NO INFORMATION .....

Ref. No.	Part No.	Description	Reqd. QTY		Serial No.	Parts catalogue code
			GX 390 T1	GX 390 T2		
1	18331-ZE3-810	CAP, MUFFLER .....	1	-	1443262	LHP1,QHP1
	18331-ZE3-811	.....	1	-	1443263	LHP1,QHP1
2	35120-Z0D-V81	SWITCH ASSY., ENGINE STOP ...	1	-	-----	LHP1,QHP1
3	87522-Z0T-800	LABEL, CAUTION .....	1	1	-----	LP
4	87532-ZH8-810	MARK, OIL ALERT (ENGLISH) ...	1	1	-----	VTE5
5	90003-ZE3-600	BOLT, HEX., 3/8-24UNF (25MM) ..	1	-	-----	VTE5
6	90055-ZE1-000	SCREW, TAPPING, 4X6 .....	3	3	-----	LT
7	90471-ZE3-000	WASHER, 10.5X40X4 .....	1	-	-----	LHP1,QHP1
8	98079-56876	PLUG, SPARK (BPR6ES) .....	1	1	-----	LT
	98079-55846	PLUG, SPARK (BPR5ES)(NGK) ...	1	1	-----	LHB5,QHB3,QHB5,SWX,SWX2
9	87532-ZB4-H50	MARK, OIL ALERT (FRENCH) .....	1	-	-----	ES2,ES3,VS4,VS6
10	18333-ZF6-W01	GASKET, EX. PIPE .....	1	1	-----	QAA6
11	94050-08000	NUT, FLANGE, 8MM .....	2	2	-----	QTD
12	35100-ZB4-023	SWITCH ASSY., COMBINATION ...	1	1	-----	VS3,VS5,VS6
13	35111-880-013	KEY COMP. ....	2	2	-----	VS3,VS5,VS6
14	68325-ZC2-000	RUBBER, BOTTOM .....	2	2	-----	ES2,ES3,VS3,VS4,VS5,VS6
15	68325-899-000	RUBBER, BOTTOM .....	2	2	-----	ES2,ES3,VS3,VS4,VS5,VS6
16	76122-952-000	STOPPER, DISCHARGE GUARD ....	4	4	-----	VS4,VS6
17	87516-Z0S-800	MARK, OPERATOR CAUTION .....	1	1	-----	VS4,VS6
18	87516-Z4H-800	MARK, OPERATOR CAUTION (FRENCH)(MADE IN THAI)	1	-	-----	VS4,VS6
19	87521-ZF6-W04	EMBLEM (HONDA GX390) .....	1	1	-----	QAPW
20	87528-898-620	MARK, CHOKE .....	1	1	-----	ES2,ES3,VS3,VS4,VS5,VS6
			1	1	-----	ES2,ES3,VMQ3,VMT,VMT2,VMT3,VS3,VS4,VS5,VS6
21	87533-ZC0-630	MARK, AIR CLEANER .....	1	1	-----	ES2,ES3,VMQ3,VMT,VMT2,VMT3,VS3,VS4,VS5,VS6



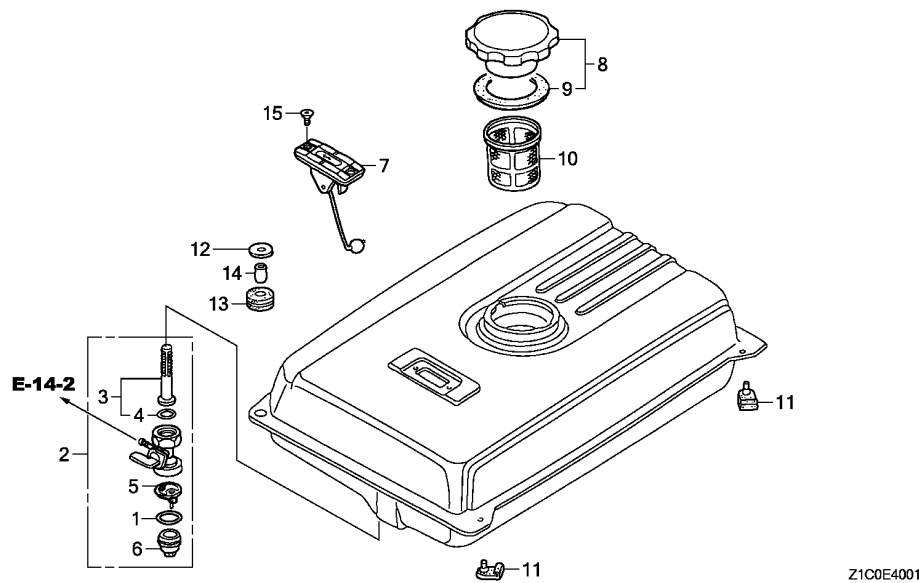


Ref. No.	Part No.	Description	Reqd. QTY		Serial No.	Parts catalogue code
			GX 390 T1	GX 390 T2		
22	87539-898-620	MARK, EX. CAUTION (ENGLISH/FRENCH)	1	1	-----	ES2,ES3,VMQ3,VMT,VMT2,VMT3, VSB3,VSB4,VSB5,VS4,VS6
23	87565-ZB4-A00	PLATE, FUEL INDICATION .....	1	1	-----	VMQ3,VMT,VMT2,VMT3
24	90013-883-000	BOLT, FLANGE, 6X12(CT200) ...	1	1	-----	VMT,VMT2,VMT3
25	90501-898-000	WASHER, FRAME JOINT .....	8	8	-----	VS6
26	90855-ZB4-000	GROMMET, CRANKCASE .....	1	1	-----	VMQ3,VMT,VMT2,VMT3
27	91406-166-000	CLIP, WIRE .....	1	1	-----	VMT,VMT2,VMT3
28	91406-729-000	CLIP, HEAD .....	1	1	-----	VSB3,VSB5
29	87516-Z4H-801	MARK, OPERATOR CAUTION (FRENCH)(MADE IN THAI)	-	1	-----	QAPW
30	87539-Z0J-810	MARK, EX. CAUTION (FRENCH) ..	-	1	-----	QAPW

E-40-1

OTHER PARTS(2)(FUEL COCK)

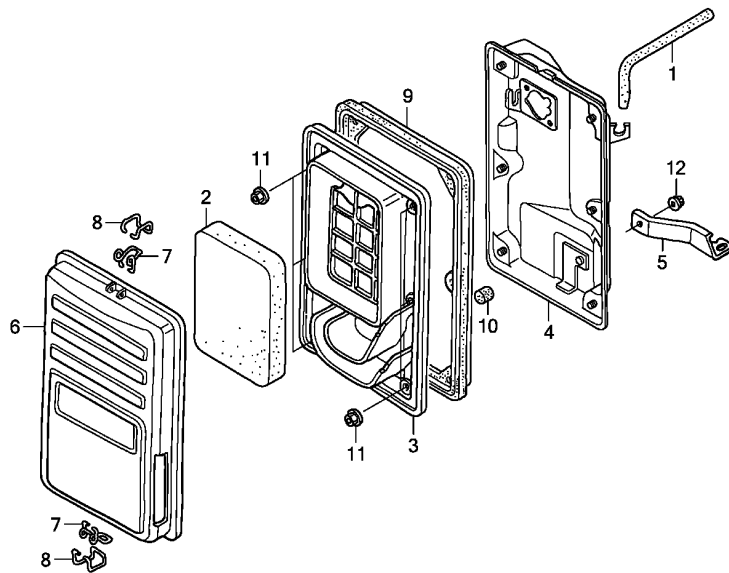
H 4



Ref. No.	L.O.N.	(Relative ref. Number) Description	F.R.T.
2	3101A3	COCK, FUEL .....	0.2
3		(4)	
	3101D5	SCREEN, FUEL STRAINER .....	0.2
5	3101A7	FILTER, FUEL TANK CUP .....	0.2
7	6171A1	METER/GAUGE UNIT, FUEL .....	0.1
10	3101A6	FILTER, FUEL .....	0.1

Ref. No.	Part No.	Description	Reqd. QTY		Serial No.	Parts catalogue code
			GX 390 T1	GX 390 T2		
1	16173-001-004	PACKING, FUEL STRAINER CUP ..	1	1	-----	ES2,ES3,VMQ3,VMT,VMT2,VMT3,VSB3,VSB4,VSB5,VS4,VS6
2	16950-ZB4-015	COCK ASSY., FUEL .....	1	1	-----	ES2,ES3,VMQ3,VMT,VMT2,VMT3,VSB3,VSB4,VSB5,VS4,VS6
3	16952-ZB4-005	SCREEN SET, FUEL STRAINER ...	1	1	-----	ES2,ES3,VMQ3,VMT,VMT2,VMT3,VSB3,VSB4,VSB5,VS4,VS6
4	16958-397-771	O-RING, 9.0X1.3 .....	1	1	-----	ES2,ES3,VMQ3,VMT,VMT2,VMT3,VSB3,VSB4,VSB5,VS4,VS6
5	16959-471-831	FILTER, CUP .....	1	1	-----	ES2,ES3,VMQ3,VMT,VMT2,VMT3,VSB3,VSB4,VSB5,VS4,VS6
6	16967-GA6-671	CUP, FUEL STRAINER .....	1	1	-----	ES2,ES3,VMQ3,VMT,VMT2,VMT3,VSB3,VSB4,VSB5,VS4,VS6
7	17505-ZB2-003	METER ASSY., FUEL .....	1	1	-----	ES2,ES3,VMQ3,VMT,VMT2,VMT3,VSB3,VSB4,VSB5,VS4,VS6
8	17620-899-013	CAP COMP., FUEL FILLER .....	1	-	-----	ES2,ES3,VMQ3,VMT2,VMT3,VSB4,VSB5,VS4,VS6
	17620-899-800	.....	-	1	-----	ES2,VMQ3,VMT,VMT2,VMT3,VSB3,VSB4,VS4,VS6
9	17631-899-000	PACKING, FUEL FILLER CAP .....	1	1	-----	ES2,ES3,VMQ3,VMT,VMT2,VMT3,VSB3,VSB4,VSB5,VS4,VS6
10	17670-899-000	FILTER COMP., FUEL .....	1	1	-----	ES2,ES3,VSB3,VSB4,VSB5,VS4,VS6
	17672-899-000	FILTER, FUEL .....	1	1	-----	VMQ3,VMT,VMT2,VMT3
11	50319-ZB2-000	RUBBER, TANK MOUNTING .....	2	2	-----	ES2,ES3,VMQ3,VMT,VMT2,VMT3,VSB3,VSB4,VSB5
12	90503-898-000	WASHER, TANK CUSHION .....	2	2	-----	ES2,ES3,VSB3,VSB4,VSB5
			4	4	-----	VS4,VS6
13	90851-898-000	RUBBER, TANK CUSHION .....	2	2	-----	ES2,ES3,VMQ3,VMT,VMT2,VMT3,VSB3,VSB4,VSB5
			4	4	-----	VS4,VS6
14	91551-898-000	COLLAR, TANK CUSHION .....	2	2	-----	ES2,ES3,VMQ3,VMT,VMT2,VMT3,VSB3,VSB4,VSB5
			4	4	-----	VS4,VS6
15	93600-05010-0A	SCREW, FLAT, 5X10 .....	2	2	-----	VMQ3,VMT,VMT2,VMT3

2



Z1C0E4002

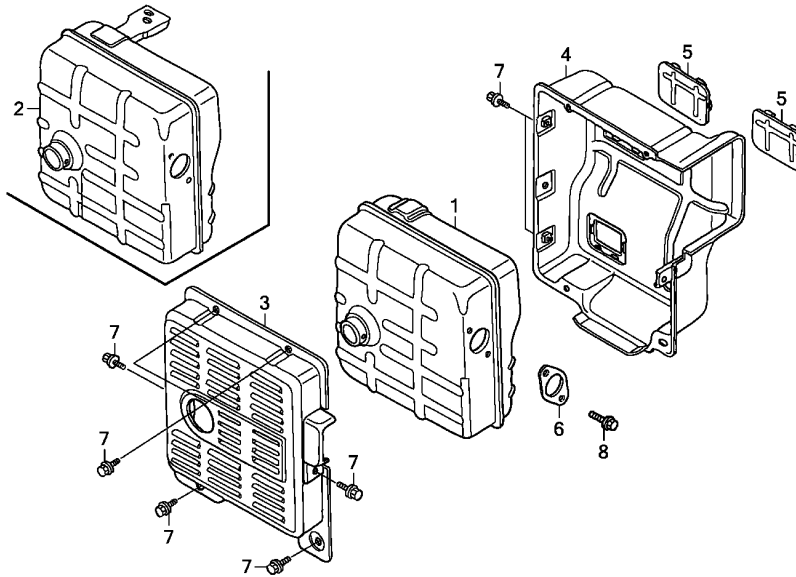
Ref. No.	L.O.N.	(Relative ref. Number) Description	F.R.T.
2	3121B8	ELEMENT, AIR CLEANER ..... .INCLUDES: Air cleaner element -inspection	0.1
3	3121F0	SEPARATOR, AIR CLEANER .....	0.1
4	3121A5	CASE, AIR CLEANER .....	0.2
9	3121E8	SEAL, AIR CLEANER CASE .....	0.1

Ref. No.	Part No.	Description	Reqd. QTY		Serial No.	Parts catalogue code
			GX 390 T1	GX 390 T2		
1	15721-ZB4-000	TUBE, BREATHER .....	1	1	-----	ES2,ES3,VMQ3,VMT,VMT2,VMT3,VS3,VS4,VS5,VS6
2	17211-899-000	ELEMENT, AIR CLEANER .....	1	1	-----	ES2,ES3,VMQ3,VMT,VMT2,VMT3,VS3,VS4,VS5,VS6
3	17212-ZB4-003	SEPARATOR, AIR CLEANER .....	1	1	-----	ES2,ES3,VMQ3,VMT,VMT2,VMT3,VS3,VS4,VS5,VS6
4	17220-ZB4-003	CASE COMP., AIR CLEANER .....	1	1	-----	ES2,ES3,VMQ3,VMT,VMT2,VMT3,VS3,VS4,VS5,VS6
5	17222-ZC2-000	STAY, AIR CLEANER .....	1	1	-----	ES2,ES3,VMQ3,VMT,VMT2,VMT3,VS3,VS4,VS5,VS6
6	17231-899-000	COVER COMP., AIR CLEANER .....	1	1	-----	ES2,ES3,VMQ3,VMT,VMT2,VMT3,VS3,VS4,VS5,VS6
7	17235-899-000	CLIP A, AIR CLEANER WIRE .....	2	2	-----	ES2,ES3,VMQ3,VMT,VMT2,VMT3,VS3,VS4,VS5,VS6
8	17236-899-000	CLIP B, AIR CLEANER WIRE .....	2	2	-----	ES2,ES3,VMQ3,VMT,VMT2,VMT3,VS3,VS4,VS5,VS6
9	17252-899-000	SEAL, AIR CLEANER .....	1	1	-----	ES2,ES3,VMQ3,VMT,VMT2,VMT3,VS3,VS4,VS5,VS6
10	17367-413-690	FILTER, DRAIN TUBE .....	1	1	-----	ES2,ES3,VMQ3,VMT,VMT2,VMT3,VS3,VS4,VS5,VS6
11	94050-05000	NUT, FLANGE, 5MM .....	6	6	-----	ES2,ES3,VMQ3,VMT,VMT2,VMT3,VS3,VS4,VS5,VS6
12	94050-06000	NUT, FLANGE, 6MM .....	1	1	-----	VMQ3,VMT,VMT2,VMT3

E-40-3

OTHER PARTS(4)(MUFFLER)

H 6



Z1C0E4003

Ref. No.	L.O.N.	(Relative ref. Number) Description	F.R.T.
1		(2)	
3131C5		MUFFLER, EXHAUST .....	0.2
3131D9		PROTECTOR, EXHAUST MUFFLER : OUTER .....	0.1
3131D8		PROTECTOR, EXHAUST MUFFLER : INNER .....	0.2
3131B5		GASKET, EXHAUST PIPE .....	0.2

Ref. No.	Part No.	Description	Reqd. QTY		Serial No.	Parts catalogue code
			GX 390 T1	GX 390 T2		
1	18310-ZE2-V61	MUFFLER COMP. (TSURUMI) .....	1	1	----- VS4,VS6	
2	18310-Z1C-840	MUFFLER COMP. ....	1	1	----- ES2,ES3,VMQ3,VMT,VMT2,VMT3, VSB3,VSB4,VSB5	
3	18320-ZC2-000	PROTECTOR, MUFFLER OUTER ....	1	1	----- ES2,ES3,VMQ3,VMT,VMT2,VMT3, VSB3,VSB4,VSB5,VS4,VS6	
4	18325-ZB4-000	PROTECTOR, MUFFLER INNER ....	1	1	----- ES2,ES3,VMQ3,VMT,VMT2,VMT3, VSB3,VSB4,VSB5,VS4,VS6	
5	18329-ZB4-000	SEAL, MUFFLER PROTECTOR .....	2	2	----- ES2,ES3,VMQ3,VMT,VMT2,VMT3, VSB3,VSB4,VSB5,VS4,VS6	
6	18333-ZB4-800	GASKET, EX. PIPE .....	1	1	----- ES2,ES3,VMQ3,VMT,VMT2,VMT3, VSB3,VSB4,VSB5,VS4,VS6	
7	95701-06010-00	BOLT, FLANGE, 6X10 .....	8	8	----- VMQ3,VMT,VMT2,VMT3	
8	95701-08020-00	BOLT, FLANGE, 8X20 .....	2	2	----- VMQ3,VMT,VMT2,VMT3	

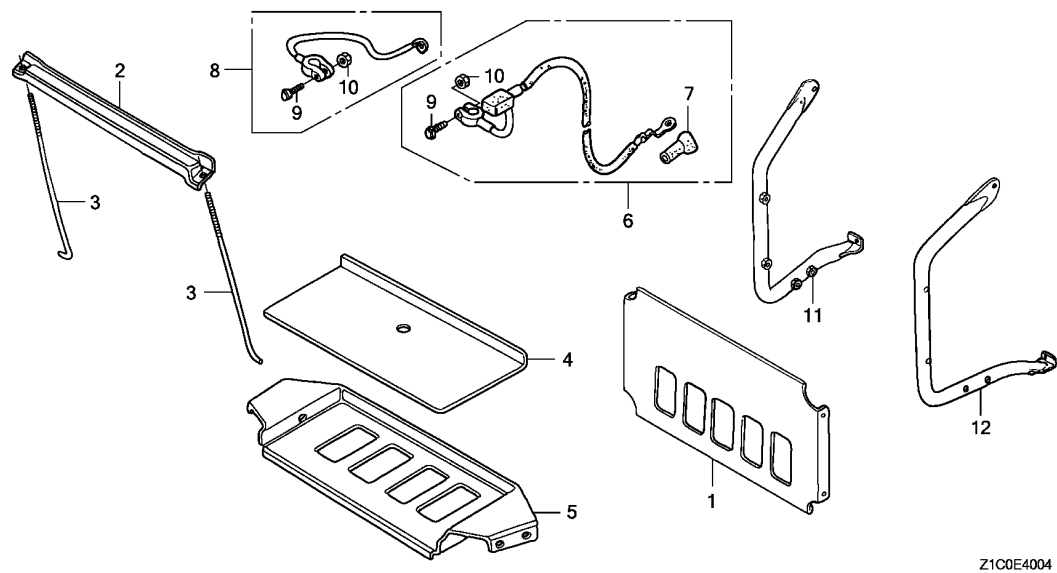
2



E-40-4

OTHER PARTS(5)(BATTERY TRAY)

H 7



Z1C0E4004

Ref. No. L.O.N. (Relative ref. Number) Description F.R.T.

NO INFORMATION .....

Ref. No.	Part No.	Description	Reqd. QTY		Serial No.	Parts catalogue code
			GX 390 T1	GX 390 T2		
1	31511-ZB4-000	PLATE, BATTERY GUARD .....	1	1	----- VSB3,VSB5,VS6	
2	31512-880-810	PLATE, BATTERY SETTING .....	1	1	----- VSB3,VSB5,VS6	
3	31513-634-000	BOLT, BATTERY SETTING, 220MM	2	2	----- VSB3,VSB5,VS6	
4	31521-880-000	PLATE, BATTERY .....	1	1	----- VSB3,VSB5,VS6	
5	31550-899-000	BASE, BATTERY TRAY .....	1	1	----- VSB3,VSB5,VS6	
6	32410-ZB4-620	CABLE ASSY., STARTING .....	1	1	----- VSB3,VSB5,VS6	
7	32411-253-000	COVER, STARTER MOTOR TERMINAL	1	1	----- VSB3,VSB5,VS6	
8	32430-ZB4-620	CABLE ASSY., EARTH .....	1	1	----- VSB3,VSB5,VS6	
9	32601-SK7-900	BOLT, BATTERY TERMINAL .....	2	2	----- VSB3,VSB5,VS6	
10	32602-SK7-900	NUT, BATTERY TERMINAL .....	2	2	----- VSB3,VSB5,VS6	
11	50365-ZD1-E30ZA	GUARD, FR. BATTERY *NH105*...MAT BLACK (#15-#20)	1	1	----- VSB3,VSB5	
12	50375-ZD1-E30ZA	GUARD, RR. BATTERY *NH105*...MAT BLACK (#15-#20)	1	1	----- VSB3,VSB5	

2



# PART NO. INDEX

Part Number	Address	Page	Ref.	Part Number	Address	Page	Ref.	Part Number	Address	Page	Ref.	Part Number	Address	Page	Ref.	Part Number	Address	Page	Ref.
16578-ZE1-000	G5	84	13		F3	66	5	18310-Z1C-810	F8	71	1	19631-Z5T-000	E4	51	3	30700-ZE1-013	F14	77	2
	G8	87	10		F4	67	4	18310-Z1C-840	H6	101	2	19631-ZE3-W00	E4	51	3				
16580-Z1C-800	G6	85	14	17233-896-701	F6	69	17	18310-Z5T-000	F9	72	2					31000			
16580-Z1C-810	G8	87	11	17235-899-000	H5	100	7	18310-ZE2-V61	H6	101	1	22000							
16580-Z1C-820	G8	87	12	17235-Z5T-000	F4	67	5	18310-ZE2-W61	F5	68	1					31100-Z1C-800	F13	76	4
16580-Z5T-000	G6	85	14	17235-ZH9-N00	E15	62	6	18320-Z5T-000	F9	72	3	22103-ZE3-610	G13	92	3	31100-ZE3-701	F13	76	4
16581-ZE3-W00	G6	85	14	17235-ZH9-N01	E16	63	6	18320-ZC2-000	H6	101	3	22103-ZE3-W00	G13	92	3	31100-ZE3-712	F13	76	5
16584-883-300	G6	85	15	17236-899-000	H5	100	8	18320-ZE2-W61	F5	68	2					31100-ZE3-722	F13	76	6
	G8	87	13	17238-ZE2-310	E16	63	7	18320-ZE2-W62	F5	68	2	23000				31110-Z5T-000	F13	76	4
16592-883-310	G6	85	16		F1	64	3	18323-ZE3-W40	F5	68	3					31161-ZE2-000	D4	35	17
16592-Z1C-810	G6	85	16		F2	65	2	18325-ZB4-000	H6	101	4	23220-ZE3-610	G13	92	4	31204-ZA0-003	G2	81	1
	G8	87	14		F3	66	6	18329-ZB4-000	H6	101	5	23222-ZE3-W00	G13	92	5	31206-ZE3-003	G2	81	2
16594-883-010	G6	85	17		F4	67	6	18330-ZE2-W00	F5	68	4	23710-ZE3-610	G13	92	6	31207-ZE3-003	G2	81	3
	G8	87	15	17239-ZE1-000	E16	63	8	18330-ZE3-700	F7	70	32	23710-ZF6-Y30	G13	92	6	31210-ZE3-013	G2	81	4
16599-ZG1-M10	G6	85	27		F1	64	4	18330-ZE3-710	F7	70	32	23710-ZK3-800	G13	92	6	31210-ZE3-023	G2	81	4
16610-ZE1-000	E9	56	18		F2	65	3	18331-Z1C-800	F8	71	2					31211-ZE2-003	G2	81	5
	E11	58	16		F3	66	7	18331-Z5T-000	F9	72	4	28000				31212-ZE3-003	G2	81	6
16611-ZE2-711	E14	61	27		F4	67	7	18331-ZE3-810	F5	68	5					31213-ZE2-003	G2	81	7
16613-893-000	E14	61	28	17250-Z1C-810	F2	65	4		H2	97	1	28400-Z1C-801ZA	E2	49	1	31215-ZE2-003	G2	81	8
16615-893-000	E14	61	29	17252-899-000	H5	100	9	18331-ZE3-811	F5	68	5	28400-Z5T-003ZA	E2	49	1	31218-ZE3-003	G2	81	9
16731-ZE2-003	E4	51	1	17367-413-690	H5	100	10		H2	97	1	28400-Z5T-003ZB	E2	49	1	31219-ZE2-003	G2	81	10
	E6	53	1	17402-ZE3-810	F1	64	5	18333-Z1C-801	F5	68	6	28400-ZE3-W01ZB	E2	49	1	31222-ZE3-791	G2	81	11
16854-ZH8-000	F10	73	1	17410-Z5T-000	F4	67	8	18333-ZB4-800	H6	101	6	28400-ZE3-W01ZH	E2	49	1	31231-ZE2-003	G2	81	12
16950-ZB4-015	H4	99	2	17410-ZE2-020	F2	65	5	18333-ZE3-800	F5	68	6	28400-ZE3-W01ZP	E2	49	1	31232-ZE3-003	G3	82	13
16952-ZB4-005	H4	99	3	17410-ZE3-010	F1	64	6	18333-ZF6-W01	F6	69	7	28400-ZE3-W02ZB	E2	49	1	31233-ZE2-003	G3	82	14
16953-ZE1-812	E9	56	19		F3	66	8		F8	71	3	28400-ZE3-W02ZH	E2	49	1	31510-ZE1-003	F15	78	3
	E11	58	17	17410-ZH9-N00	E16	63	9		F9	72	5	28400-ZE3-W02ZP	E2	49	1	31510-ZE1-811	F15	78	3
16954-ZE1-812	E9	56	20	17417-Z5T-000	F4	67	9		H2	97	10	28410-Z1C-801	E2	49	2	31510-ZE2-811	F15	78	4
	E11	58	18	17420-Z0T-800	F2	65	6	18336-ZE3-000	F9	72	6	28410-ZE3-W01ZB	E2	49	2	31511-ZB4-000	H7	102	1
16955-ZE1-000	F10	73	2	17420-ZE3-810	F1	64	7	18350-Z5T-800	F9	72	7	28410-ZE3-W01ZH	E2	49	2	31511-ZE3-000	F15	78	5
16955-ZE1-010	F10	73	2	17505-ZB2-003	H4	99	7	18355-ZE2-W00	F6	69	8	28410-ZE3-W01ZP	E2	49	2	31512-880-810	H7	102	2
16956-ZE1-811	E9	56	21	17510-Z1C-810ZA	F10	73	3	18381-Z1C-801	F6	69	10	28421-ZE3-W01	E2	49	3	31512-ZE2-000	F15	78	6
	E11	58	19	17510-Z5T-000ZA	F10	73	3		F8	71	4	28422-ZE2-W01	E2	49	4		G1	80	3
16957-ZE1-812	E10	57	22	17510-Z5T-000ZB	F10	73	3		F9	72	9	28441-ZE2-W01	E2	49	5	31513-634-000	H7	102	3
	E11	58	20	17510-ZE3-020ZA	F10	73	3	18381-ZE2-800	F6	69	10	28442-ZE2-W01	E2	49	6	31521-880-000	H7	102	4
16958-397-771	H4	99	4	17510-ZE3-020ZB	F10	73	3		F9	72	9	28443-ZE2-W01	E3	50	7	31550-899-000	H7	102	5
16959-471-831	H4	99	5	17510-ZE3-030ZA	F10	73	3	18381-ZE2-W10	F6	69	9	28444-ZE2-W01	E3	50	8	31610-Z5T-801ZA	G10	89	1
16967-GA6-671	H4	99	6	17510-ZE3-030ZB	F10	73	3		F9	72	8	28450-ZE3-W11	F13	76	2	31610-Z5T-802ZA	G10	89	1
16967-ZE0-811	E10	57	23	17620-899-013	H4	99	8	18431-Z0T-800	F8	71	5	28451-ZE3-W01	F13	76	3	31610-ZE3-812ZD	G10	89	2
				17620-899-800	H4	99	8	18433-ZF6-W40	F6	69	18	28461-Z5T-003	E3	50	13	31610-ZE3-W13ZE	G10	89	1
17000				17620-Z0T-813	F11	74	4	18434-ZF6-W40	F6	69	19	28461-ZE2-W02	E3	50	9	31612-ZE2-003	G10	89	3
				17620-Z0T-820	F12	75	13	18436-ZH8-W40	F6	69	20	28461-ZE2-W03	E3	50	9	31614-ZE2-003	G10	89	4
17210-ZE3-010	E15	62	2	17620-Z1T-800	F11	74	4	18437-ZF6-W40	F6	69	21	28462-Z1C-801	E3	50	10	31615-ZE3-003ZE	G10	89	5
	F3	66	2	17620-Z4H-020	F12	75	13	18438-ZF6-W40	F6	69	22	28462-ZE3-W01	E3	50	10	31630-ZE1-003	F15	78	7
	F4	67	1	17631-899-000	H4	99	9	18466-ZH8-W40	F6	69	23	28463-Z5T-003	E3	50	14	31630-ZE1-013	F15	78	7
17211-899-000	H5	100	2	17631-Z0T-801	F11	74	5									31700-124-008	G10	89	6
17212-ZB4-003	H5	100	3		F12	75	15	19000				30000							
17218-ZE3-000	E15	62	3	17631-Z1T-800	F11	74	5									32000			
	F3	66	3		F12	75	15	19511-ZE3-000	F13	76	1	30500-Z1C-003	F14	77	1				
	F4	67	2	17670-899-000	H4	99	10	19610-Z1C-800ZA	E6	53	2	30500-Z1C-013	F14	77	1	32110-Z5T-000	G1	80	4
17220-ZB4-003	H5	100	4	17672-899-000	H4	99	10	19610-Z1C-820ZA	E6	53	3	30500-Z1C-023	F14	77	1	32110-Z5T-800	G1	80	4
17222-ZC2-000	H5	100	5	17672-Z4H-000	F12	75	12	19610-Z5T-000ZA	E4	51	2	30500-Z1C-801	F16	79	14	32127-738-700	G10	89	7
17230-ZE3-000	F3	66	4	17672-ZE2-W01	F11	74	6	19610-Z5T-000ZB	E4	51	2	30500-Z5T-003	G1	80	1	32197-ZE1-003	G10	89	8
17230-ZE3-811	F1	64	2	17841-Z1C-810	G8	87	16	19610-ZE3-010ZB	E4	51	2	30500-ZF6-W02	F14	77	1	32410-ZB4-620	H7	102	6
17231-899-000	H5	100	6	17850-ZD1-E30	G9	88	2	19610-ZE3-010ZL	E4	51	2	30600-ZE1-013	F14	77	2	32411-253-000	H7	102	7
17231-Z5T-000	F4	67	3					19610-ZE3-700ZB	E4	51	2	30700-Z1C-801	F14	77	2	32430-ZB4-620	H7	102	8
17231-ZE2-000	F2	65	1	18000				19610-ZE3-700ZK	E4	51	2	30700-Z1C-811	F14	77	2	32601-SK7-900	H7	102	9
17231-ZE3-W01	E15	62	4					19610-ZE3-700ZL	E4	51	2		G1	80	2	32602-SK7-900	H7	102	10
17232-891-000	E15	62	5	18205-Z5T-000	F9	72	1	19631-Z1C-810	E6	53	4	30700-Z1C-821	F15	78	2	32902-892-003	G10	89	9

# PART NO. INDEX

Part Number				Address				Page				Ref.			
Part Number	Address	Page	Ref.	Part Number	Address	Page	Ref.	Part Number	Address	Page	Ref.	Part Number	Address	Page	Ref.
<b>34000</b>				<b>83000</b>				<b>88000</b>				90015-ZE5-010 G6 85 19			
34150-ZH7-003 D3 34 4				83501-ZF1-000 H1 96 1				88911-MJ3-000 E14 61 32				90016-ZG9-N30 G6 85 28			
34150-ZH7-013 D3 34 4				<b>87000</b>				<b>89000</b>				90017-883-000 F16 79 15			
G10 89 10				87114-ZH7-000 G15 94 13				89000-ZB6-000 H1 96 17				90019-883-000 D8 39 10			
G10 89 10				87114-ZH7-821 G15 94 13				89001-ZF1-000 H1 96 16				90042-ZE3-700 D2 33 11			
<b>35000</b>				87114-ZH7-840 G15 94 13				89000-ZH7-T00 H1 96 18				90042-ZE8-000 D2 33 11			
35100-ZB4-023 H2 97 12				87124-Z0T-800 G16 95 2				89102-538-000 H1 96 2				90050-ZE1-000 F6 69 13			
35100-ZE2-023 G11 90 11				87135-ZE2-020 G14 93 1				89103-538-000 H1 96 3				90741-805-000 D9 40 9			
35100-ZE2-033 G11 90 11				87516-Z0S-800 G14 93 3				89210-ZF1-000 H1 96 4				90741-889-810 D9 40 9			
35111-880-013 G11 90 12				87516-Z0S-810 G15 94 14				89216-Z0T-800 H1 96 6				90741-ZE2-000 F13 76 8			
35120-Z0D-V81 H2 97 13				87516-Z0T-800 G14 93 8				89216-ZB4-000 H1 96 6				90745-ZE2-600 D9 40 9			
E4 51 4				87516-Z4H-000 G14 93 8				89216-ZF1-000 H1 96 5				90745-ZK2-800 G13 92 7			
H2 97 2				87516-Z4H-810 G14 93 8				89218-ZE1-000 H1 96 7				90851-898-000 H4 99 13			
35120-Z0V-811 E6 53 5				87516-Z4H-801 H3 98 29				89219-805-000 H1 96 8				90854-ZB2-000 E14 61 38			
35120-Z0V-821 E6 53 6				87516-Z4H-810 G14 93 8				<b>90000</b>				90855-ZB4-000 H3 98 26			
35120-Z5T-003 E5 52 10				87519-Z4H-000 G14 93 8				90001-Z0T-800 E3 50 12				<b>91000</b>			
35124-Z0T-810 E6 53 7				87521-Z1C-820 G16 95 3				90001-Z0V-800 F2 65 7				91001-ZF6-003 D10 41 10			
35480-ZF6-003 D4 35 16				87521-Z1C-810 G16 95 3				90001-ZE8-000 D14 45 6				91001-ZF6-013 D10 41 10			
<b>36000</b>				87521-Z1C-820 G16 95 3				90001-ZF6-003 D14 45 6				91009-KJ1-003 D7 38 11			
36100-ZF6-P81 E5 52 8				87521-Z5T-000 G15 94 15				90003-ZE3-600 H2 97 5				G13 92 8			
36100-ZF6-P82 E5 52 8				87521-Z5T-000 G15 94 15				90004-Z5T-000 E5 52 11				91201-890-003 G13 92 9			
36101-ZE2-701 F15 78 8				87521-ZF6-W03 G14 93 2				90004-ZE2-W01 E3 50 11				91201-Z1D-003 G13 92 9			
36101-ZE3-800 F15 78 8				87521-ZF6-W04 G15 94 15				90006-ZE2-000 F6 69 11				91201-ZE3-004 D4 35 8			
36103-ZE1-000 E4 51 5				87522-Z0T-800 G14 93 3				90201-ZE3-V00 F13 76 7				91203-952-771 D4 35 9			
36135-ZF6-D41 E14 61 30				87522-Z0T-810 G14 93 3				90202-ZE2-000 F4 67 11				91301-805-000 D8 39 14			
36160-ZB4-013 G9 88 3				87522-Z0T-820 G16 95 4				90203-ZA0-800 E16 63 13				91353-671-004 D4 35 10			
<b>38000</b>				87524-Z0S-800 G14 93 4				90206-ZE1-000 E1 48 17				F11 74 7			
38240-VA3-900 G11 90 13				87524-Z0S-801 G14 93 4				90301-782-000 F6 69 26				91406-166-000 D4 35 18			
38250-ZA8-701 G11 90 14				87524-Z0T-800 G14 93 4				90302-921-000 E6 53 9				91406-729-000 H3 98 27			
<b>50000</b>				87528-898-620 H2 97 20				90302-KF9-900 F6 69 27				91406-ZE2-003 G11 90 20			
50319-ZB2-000 H4 99 11				87528-Z0T-800 G15 94 9				90304-438-000 F2 65 8				91424-Z5L-802 F12 75 9			
50365-ZD1-E30ZA H7 102 11				87528-Z5T-000 G15 94 9				90325-044-000 E16 63 11				91424-Z5T-003 F12 75 9			
50375-ZD1-E30ZA H7 102 12				87528-ZE2-810 G15 94 9				90401-Z0T-800 E6 53 10				91551-898-000 H4 99 14			
<b>53000</b>				87528-ZF6-W40 G15 94 9				90431-ZE2-700 E14 61 33				91601-ZE2-003 G3 82 17			
53149-964-003 E14 61 31				87529-Z4T-840 G11 90 15				90432-ZE2-700 E14 61 34				<b>92000</b>			
<b>68000</b>				87529-ZE2-812 G11 90 15				90433-ZE2-700 E14 61 35				92900-08032-OE D2 33 9			
68325-899-000 H2 97 15				87531-Z0T-800 G16 95 6				90441-ZE2-010 D2 33 12				92900-08050-OB D2 33 9			
68325-ZC2-000 H2 97 14				87532-ZB4-H50 G14 93 6				90441-ZE2-010 D2 33 12				<b>93000</b>			
<b>76000</b>				87532-ZH7-000 G15 94 10				90446-KE1-000 D4 35 7				93500-03006-1H E10 57 24			
76122-952-000 H2 97 16				87532-ZH8-810 G14 93 6				90471-ZE3-000 H2 97 7				E11 58 21			
<b>81000</b>				87533-ZC0-630 H2 97 21				90473-ZE3-010 D9 40 8				E12 59 22			
81329-567-020 E5 52 6				87533-ZH8-W40 G15 94 10				90501-898-000 H3 98 25				E14 61 37			
				87533-ZC0-630 H2 97 21				90503-898-000 H4 99 12				G11 90 21			
				87539-898-620 H3 98 22				90601-ZE3-000 D14 45 7				G12 91 22			
				87539-Z0J-000 G15 94 16				90602-ZE1-000 D6 37 8				G12 91 22			
				87539-Z0J-810 H3 98 30				90605-230-000 G6 85 21				G12 91 22			
				87565-ZB4-A00 H3 98 23				90630-751-000 G11 90 18				G12 91 22			
				87602-Z0T-800 G16 95 7				90650-SD9-003 E14 61 37				G12 91 22			
								90654-SA4-003 E5 52 9				G12 91 22			
								90672-SA0-003 G11 90 19				G12 91 22			
								90684-ZA0-601 F16 79 13				G12 91 22			
								G1 80 6				G12 91 22			
								90701-HC4-000 D6 37 9				G12 91 22			



# PART NO. INDEX

Part Number	Address	Page	Ref.	Part Number	Address	Page	Ref.	Part Number	Address	Page	Ref.	Part Number	Address	Page	Ref.
93500-05035-0A	G7	86	31	95005-35130-10	E14	61	50	99101-ZH8-1050	E10	57	27				
93500-05045-0A	G6	85	25	95701-06010-00	H6	101	7		E12	59	23				
93600-05010-0A	H4	99	15	95701-06012-00	D4	35	14	99101-ZH8-1080	E10	57	27				
93891-05012-00	F7	70	28	95701-08020-00	H6	101	8	99101-ZH8-1100	E10	57	27				
93891-06020-07	F7	70	29	95701-08025-00	F12	75	11	99204-ZA0-0400	E10	57	28				
93892-05012-18	E14	61	40	95701-08035-08	G3	82	20		E12	59	24				
93892-05032-18	G3	82	18	95701-08040-00	D6	37	12	99204-ZA0-0450	E10	57	28				
					D7	38	13		E14	61	52				
94000					D8	39	16	99204-ZE0-0380	E10	57	28				
					G13	92	11								
94001-04390-0S	G12	91	23	95701-10080-00	D2	33	14								
94050-05000	H5	100	11												
94050-06000	E10	57	25	96000											
	E14	61	41												
	E16	63	12	96100-62020-00	D4	35	15								
	F1	64	10		D6	37	13								
	F3	66	11		D7	38	14								
	F4	67	13		D8	39	17								
	G6	85	26	96100-62040-00	D7	38	15								
	H5	100	12	96100-62060-00	G13	92	12								
94050-08000	F6	69	15	96100-62070-00	D6	37	14								
	F7	70	33		D7	38	16								
	F8	71	7		D8	39	18								
	F9	72	13												
	F11	74	8	98000											
	H2	97	11												
94050-10000	D4	35	11	98079-55841	D2	33	15								
94070-06080	G3	82	19	98079-55846	H2	97	8								
94101-04800	G12	91	24	98079-55854	D2	33	15								
94101-06800	D6	37	11	98079-55855	D2	33	15								
	D7	38	12	98079-55876	D2	33	15								
	D8	39	15	98079-56871	D2	33	15								
94103-05000	E14	61	42	98079-56876	D2	33	15								
94103-05700	F7	70	30		H2	97	8								
94109-12000	D4	35	12	98200-30500	G12	91	26								
94111-04800	G12	91	25												
94111-05000	F7	70	31	99000											
94251-10000	D4	35	13												
94301-08140	G13	92	10	99001-10120	H1	96	9								
94301-12200	D2	33	13	99001-10140	H1	96	10								
94305-20122	E10	57	26	99001-14170	H1	96	11								
	E11	58	22	99003-30000	H1	96	12								
94540-02010	E14	61	43	99003-50000	H1	96	13								
94540-04010	E14	61	44	99004-21003	H1	96	14								
94540-05018	G6	85	21	99005-01000	H1	96	8								
	G8	87	22	99008-02000	H1	96	15								
94540-07010	E14	61	45	99008-02300	H1	96	15								
				99101-ZH8-0880	E10	57	27								
95000				99101-ZH8-0900	E10	57	27								
				99101-ZH8-0920	E10	57	27								
95001-45150-40	E14	61	46	99101-ZH8-0950	E10	57	27								
95001-45235-40	F12	75	9	99101-ZH8-0980	E10	57	27								
95001-45250-40	E14	61	46		E14	61	51								
95002-02070	E14	61	47	99101-ZH8-1000	E10	57	27								
95002-02080	E14	61	48		E11	58	23								
	F12	75	10		E14	61	51								
95002-40800-08	F12	75	14	99101-ZH8-1020	E10	57	27								
95005-11105-30	D2	33	8		E11	58	23								
95005-35075-10	E14	61	49		E14	61	51								

3

# PART NAME INDEX

Part name	Address	Page	Ref.	Part name	Address	Page	Ref.	Part name	Address	Page	Ref.
<b>[ A ]</b>											
ALERT UNIT, OIL .....	D3	34	4	BOLT, FLANGE, 6X12 .....	F9	72	11	CAP, MUFFLER.....	H2	97	1
	G10	89	10		F15	78	10	CAP, OIL FILLER.....	D8	39	4
ARMATURE COMP. ....	G2	81	2		G6	85	18	CARBURETOR ASSY.....	E8	55	9
ARM COMP., GOVERNOR .....	G6	85	29		G8	87	17		E11	58	9
ARM, GOVERNOR .....	G4	83	1		G9	88	4		E13	60	9
ARM, VALVE ROCKER .....	D15	46	4		G11	90	16	CASE COMP., AIR CLEANER.....	H5	100	4
ARRESTER COMP., SPARK .....	F9	72	7	BOLT, FLANGE, 6X18 .....	H3	98	24	CASE COMP., RECOIL STARTER .....	E2	49	2
ARRESTER, SPARK .....	F6	69	8	BOLT, FLANGE, 6X28 .....	F2	65	7	CASE, CONTROL.....	G10	89	3
				BOLT, FLANGE, 6X28 .....	F16	79	12	CHAMBER SET, FLOAT.....	E7	54	4
					G1	80	5		E11	58	4
					F16	79	15		E13	60	4
				BOLT, FLANGE, 6X32 .....	F16	79	15	CHOKE SET.....	E8	55	8
				BOLT, FLANGE, 6X35 .....	F15	78	11		E11	58	8
				BOLT, FLANGE, 6X40 .....	F15	78	9		G6	85	21
					F16	79	15	CIRCLIP, 5MM.....	G6	85	21
				BOLT, FLANGE, 8X20 .....	H6	101	8	CLAMPER, CORD.....	F15	78	5
BAG SET, TOOL .....	H1	96	16	BOLT, FLANGE, 8X25 .....	F12	75	11	CLAMP, TUBE.....	F12	75	14
BAG, TOOL, 200MM .....	H1	96	15	BOLT, FLANGE, 8X35 .....	G3	82	20	CLIP A, AIR CLEANER WIRE.....	H5	100	7
BAG, TOOL, 230MM .....	H1	96	15	BOLT, FLANGE, 8X35 .....	G3	82	20	CLIP B, AIR CLEANER WIRE.....	H5	100	8
BAND .....	G10	89	9	BOLT, FLANGE, 8X40 .....	D6	37	12	CLIP, GOVERNOR HOLDER.....	D6	37	8
BARREL ASSY., CYLINDER .....	D3	34	1		D7	38	13		D7	38	9
BAR A, HANDLE .....	H1	96	8		D8	39	16		D8	39	11
BASE COMP., CONTROL .....	G6	85	14		G13	92	11	CLIP, HARNESS.....	F16	79	13
	G8	87	11		G6	85	19		G1	80	6
				BOLT, GOVERNOR ARM .....	D2	33	10	CLIP, HEAD.....	H3	98	28
BASE COMP., MUFFLER COVER .....	F6	69	20	BOLT, HEAD COVER .....	H2	97	5	CLIP, PISTON PIN, 20MM.....	D14	45	7
BASE, BATTERY TRAY .....	H7	102	5	BOLT, HEX., 3/8-24UNF .....	H2	97	5	CLIP, PURSE LOCK.....	G11	90	18
BEARING A, CONNECTING ROD .....	D14	45	5	BOLT, HEX., 8X25 .....	D9	40	7	CLIP, TUBE.....	E4	51	1
BEARING B, CONNECTING ROD .....	D14	45	5	BOLT, PIVOT, 8MM .....	E1	48	16		E6	53	1
BEARING C, CONNECTING ROD .....	D14	45	5	BOLT, STUD, 8X106 .....	D2	33	11		E14	61	47
BEARING D, CONNECTING ROD .....	D14	45	5	BOLT, STUD, 8X131.5 .....	D2	33	11				48
BEARING, RADIAL BALL, 6202 .....	D4	35	15	BOLT, STUD, 8X32 .....	D2	33	9		F12	75	10
	D6	37	13	BOLT, STUD, 8X34 .....	D2	33	9	CLIP, VALVE GUIDE.....	D1	32	4
	D7	38	11	BOLT, STUD, 8X50 .....	D2	33	9	CLIP, WIRE.....	D4	35	18
				BOX ASSY., CONTROL .....	G10	89	1		H3	98	27
	D8	39	17		H1	96	1	CLIP, WIRE HARNESS.....	E14	61	37
	G13	92	8	BOX, TOOL.....	H1	96	1	CLIP, WIRE HARNESS, 6MM.....	E5	52	9
BEARING, RADIAL BALL, 6204 .....	D7	38	15	BRACKET COMP., STOP SWITCH .....	E6	53	7	CLUTCH COMP., OVERRUNNING.....	G2	81	3
BEARING, RADIAL BALL, 6206 .....	G13	92	12	BRACKET, CASE MOUNTING .....	G10	89	4	COCK ASSY., FUEL.....	H4	99	2
BEARING, RADIAL BALL, 6207 .....	D6	37	14	BRACKET, CENTER .....	G2	81	5	COIL ASSY., CHARGE .....	F15	78	7
	D7	38	16	BRACKET, FR.....	G2	81	6	COIL ASSY., IGNITION.....	F14	77	1
	D8	39	18	BRUSH .....	G2	81	8		F16	79	14
BEARING, RADIAL BALL, 6207S .....	D10	41	10	BUSH, ARM PIVOT.....	E14	61	31		G1	80	1
BEARING, RADIAL BALL, 6207SH .....	D10	41	10					COIL ASSY., LAMP.....	F15	78	3
BOLT-WASHER, 5X14 .....	G3	82	15								4
BOLT-WASHER, 6X22 .....	E16	63	10					COLLAR B, AIR CLEANER.....	E16	63	8
	F1	64	8						F1	64	4
	F3	66	9	CABLE ASSY., EARTH .....	H7	102	8		F2	65	3
	F4	67	10	CABLE ASSY., STARTING .....	H7	102	6		F3	66	7
BOLT, BATTERY SETTING, 220MM .....	H7	102	3	CAMSHAFT ASSY. ....	D15	46	2		F4	67	7
BOLT, BATTERY TERMINAL .....	H7	102	9	CAP ASSY., NOISE SUPPRESSOR .....	F14	77	2		F4	67	7
BOLT, CONNECTING ROD .....	D14	45	6		G1	80	2		F4	67	7
BOLT, DRAIN PLUG, 12X15 .....	D4	35	6	CAP ASSY., OIL FILLER.....	D5	36	3	COLLAR, AIR CLEANER.....	E16	63	7
BOLT, FLANGE, 10X80 .....	D2	33	14						F1	64	3
BOLT, FLANGE, 5X10 .....	D8	39	10		D7	38	4		F2	65	2
BOLT, FLANGE, 6X10 .....	E3	50	12						F3	66	6
	H6	101	7	CAP COMP., AIR CLEANER .....	F1	64	7		F4	67	6
BOLT, FLANGE, 6X12 .....	D4	35	5		F2	65	6		F4	67	6
				CAP COMP., FUEL FILLER .....	F11	74	4	COLLAR, AIR CLEANER CASE.....	F6	69	17
					F12	75	13	COLLAR, LEVER.....	E14	61	36
	E5	52	7		H4	99	8	COLLAR, SETTING.....	E8	55	12
	E6	53	8	CAP, CHOKE DUST .....	E13	60	11		E13	60	13
	F6	69	12	CAP, MUFFLER .....	F5	68	5	COLLAR, STOPPER.....	G6	85	27

# PART NAME INDEX

J 2

Part name	Address	Page	Ref.	Part name	Address	Page	Ref.	Part name	Address	Page	Ref.
COLLAR, TANK CUSHION .....	H4	99	14	ELBOW COMP., AIR CLEANER .....	F2	65	5	GEAR, PRIMARY DRIVE .....	G13	92	3
CONTACTOR ASSY. ....	G2	81	1		F3	66	8	GEAR, REDUCTION .....	G2	81	11
CONTROL ASSY. ....	G4	83	5		F4	67	8	GOVERNOR ASSY. ....	D5	36	6
				ELEMENT, AIR CLEANER .....	E15	62	2		D7	38	7
	G5	84	7		F3	66	2		D8	39	5
					F4	67	1	GRID, AIR CLEANER .....	F2	65	4
	G6	85	30		H5	100	2	GRIP .....	H1	96	3
	G8	87	1	EMBLEM .....	G14	93	2	GRIP, REINFORCEMENT .....	E3	50	14
					G15	94	15	GRIP, SCREW DRIVER .....	H1	96	13
CORD, EARTH .....	D4	35	17		G16	95	3	GRIP, STARTER .....	E3	50	9
CORD, STOP SWITCH .....	F15	78	8		H2	97	19				
COUNTERSHAFT COMP. ....	G13	92	4	E-RING, 2MM .....	E14	61	43	GROMMET, AIR CLEANER .....	E15	62	5
COVER ASSY., CRANKCASE .....	D5	36	1	E-RING, 4MM .....	E14	61	44		F3	66	5
	D6	37	15	E-RING, 5MM .....	G6	85	21		F4	67	4
	D7	38	1		G8	87	22	GROMMET, CHOKE ROD .....	E14	61	28
				E-RING, 7MM .....	E14	61	45	GROMMET, CORD .....	F15	78	6
	D8	39	1						G1	80	3
COVER ASSY., GEAR CASE .....	G13	92	1	[ F ]				GROMMET, CRANKCASE .....	H3	98	26
COVER COMP., AIR CLEANER .....	F1	64	2	FAN, COOLING .....	F13	76	1	GROMMET, DRAIN HOLE .....	E5	52	6
	H5	100	6	FILTER COMP., FUEL .....	H4	99	10	GROMMET, FENDER .....	E14	61	32
COVER COMP., FAN .....	E4	51	2	FILTER, CUP .....	H4	99	5	GUARD, FR. BATTERY .....	H7	102	11
	E6	53	2	FILTER, DRAIN TUBE .....	H5	100	10	GUARD, RR. BATTERY .....	H7	102	12
				FILTER, FUEL .....	F11	74	6	GUIDE, CHOKE ROD .....	E14	61	29
COVER COMP., HEAD .....	D1	32	6		F12	75	12	GUIDE, EX. VALVE .....	D1	32	3
COVER COMP., MUFFLER .....	F6	69	18	FILTER, OUTER .....	E15	62	3	GUIDE, IN. VALVE .....	D1	32	2
COVER COMP., RR. MUFFLER .....	F6	69	19		F3	66	3	GUIDE, PUSH ROD .....	E1	48	15
COVER, AIR CLEANER .....	E15	62	4	FLANGE COMP., BAFFLE .....	F9	72	6	[ H ]			
	F2	65	1	FLOAT SET .....	E7	54	3	HANDLE, BOX WRENCH .....	H1	96	8
	F3	66	4		E11	58	3	HARNESS ASSY., ENGINE WIRE .....	G1	80	4
COVER, AIR CLEANER CASE .....	F4	67	3	FLYWHEEL COMP. ....	E13	60	3	HARNESS, SUB WIRE .....	G10	89	8
COVER, CYLINDER HEAD .....	D1	32	6		E13	60	3	HEAD COMP., CYLINDER .....	D1	32	1
	D2	33	6	FUSE, BLADE .....	G12	91	26	HOLDER, BRUSH .....	G2	81	12
COVER, DUCT .....	D8	39	2					HOLDER, CABLE .....	G5	84	12
COVER, STARTER MOTOR TERMINAL	H7	102	7	[ G ]					G7	86	32
CRANKSHAFT COMP. ....	D9	40	1	GASKET SET .....	E7	54	1		G8	87	9
					E11	58	1	HOLDER, GOVERNOR WEIGHT .....	D6	37	17
				GASKET, CYLINDER HEAD .....	D1	32	5		D7	38	18
				GASKET, EX. PIPE .....	F5	68	6	HOLDER, STOP SWITCH CORD .....	E4	51	5
					F6	69	7	HOLDER, WIRE .....	G6	85	17
					F8	71	3		G8	87	15
					F9	72	5	[ I ]			
					H2	97	10	INSULATOR .....	G3	82	14
					H6	101	6	INSULATOR, CARBURETOR .....	E8	55	14
				GASKET, MUFFLER .....	F6	69	9		E11	58	12
									E13	60	14
								[ J ]			
								JET SET, PILOT, .....	E10	57	28
									E12	59	24
									E14	61	52
								JET, MAIN, .....	E10	57	27
				GAUGE ASSY., THICKNESS .....	H1	96	4		E11	58	23
ELBOW COMP., AIR CLEANER .....	E16	63	9	GEAR, COUNTER .....	G13	92	5		E12	59	23
	F1	64	6	GEAR, DRIVE PINION .....	G2	81	7				

# PART NAME INDEX

J 3

Part name	Address	Page	Ref.	Part name	Address	Page	Ref.	Part name	Address	Page	Ref.
JET, MAIN, .....	E14	61	51	MARK, THROTTLE INDICATION .....	G15	94	10	O-RING, 14MM .....	F11	74	7
JOINT, FUEL TANK .....	F10	73	2	METER ASSY., FUEL .....	H4	99	7	O-RING, 26X2.7 .....	D8	39	14
JOINT, ROD .....	E13	60	21	MOTOR UNIT, STARTER .....	G2	81	4	O-RING, 9.0X1.3 .....	H4	99	4
[ K ]				MUFFLER COMP. ....	F5	68	1	[ P ]			
KEY COMP. ....	G11	90	12		F8	71	1	PACKING .....	G3	82	17
	H2	97	13		F9	72	2	PACKING, AIR CLEANER .....	E14	61	25
KEY, 6.3X6.3X33 .....	G13	92	7		H6	101	1	PACKING, AIR CLEANER CASE .....	F4	67	9
KEY, 6.3X6.3X43 .....	D9	40	9	[ N ]				PACKING, CARBURETOR .....	E9	56	16
KEY, 7X7X33 .....	D9	40	9	NOSE, SILENCER .....	E15	62	6		E11	58	14
	G13	92	7		E16	63	6	PACKING, CARBURETOR INSULATOR ..	E10	57	30
KEY, SPECIAL WOODRUFF, 25X18 ..	F13	76	8		F4	67	5	PACKING, CASE COVER .....	D5	36	2
[ L ]				NOZZLE, MAIN .....	E8	55	11		D7	38	3
LABEL, CAUTION .....	G14	93	3		E11	58	11		D8	39	3
	H2	97	3	NUT-WASHER, 6MM .....	E13	60	12	PACKING, CHAIN CASE COVER .....	G13	92	2
LABEL, E-SPEC .....	G14	93	1	NUT, AIR CLEANER COVER .....	G3	82	19	PACKING, CRANKCASE COVER .....	D5	36	2
	G15	94	11	NUT, BATTERY TERMINAL .....	F4	67	11	PACKING, ELBOW .....	E15	62	1
LABEL, WARNING .....	G15	94	13	NUT, CAP, 6MM .....	H7	102	10		F1	64	1
	G16	95	1	NUT, FLANGE, 10MM .....	F2	65	8	PACKING, FUEL COCK .....	F3	66	1
LENS ASSY., PROTECTOR .....	G11	90	14	NUT, FLANGE, 5MM .....	D4	35	11	PACKING, FUEL FILLER CAP .....	E10	57	22
LEVER COMP., CHOKE .....	E9	56	18	NUT, FLANGE, 6MM .....	H5	100	11		E11	58	20
	E11	58	16		E10	57	25	PACKING, FUEL FILLER CAP .....	F11	74	5
LEVER COMP., CONTROL .....	G8	87	5		E14	61	41		F12	75	15
	G9	88	2	NUT, FLANGE, 8MM .....	E16	63	12		H4	99	9
LEVER COMP., THROTTLE .....	G9	88	2		F1	64	10	PACKING, FUEL STRAINER CUP .....	E8	55	13
LEVER, CHOKE .....	E13	60	20		F3	66	11		H4	99	1
LEVER, COCK .....	E9	56	19		F4	67	13	PACKING, HEAD COVER .....	D2	33	7
	E11	58	17		G6	85	26	PACKING, INSULATOR .....	E9	56	17
LEVER, CONTROL .....	G5	84	9		H5	100	12		E11	58	15
LIFTER, VALVE .....	D15	46	5		F6	69	15		E13	60	16
[ M ]					F7	70	33	PACKING, OIL FILLER CAP .....	D5	36	5
MARK, AIR CLEANER .....	H2	97	21		F8	71	7		D7	38	6
MARK, AIR CLEANER CAUTION .....	G14	93	4	NUT, HEX., 16MM .....	F9	72	13	PANEL COMP., CONTROL .....	G10	89	5
MARK, CHOKE .....	G15	94	9		F11	74	8	PAN, CLEANER OIL .....	F1	64	5
	G16	95	5	NUT, HEX., 4MM .....	H2	97	11	PIN, GOVERNOR WEIGHT .....	D6	37	18
	H2	97	20	NUT, HEX., 5MM .....	E6	53	9		D7	38	19
MARK, CONTROL BOX .....	G11	90	15	NUT, SPECIAL, 16MM .....	G12	91	23	PIN, LOCK, 10MM .....	D8	39	8
MARK, EX. CAUTION .....	G15	94	16	NUT, TOOL BOX SETTING .....	F6	69	27	PIN, PISTON .....	D4	35	13
	H3	98	22		E1	48	17	PIN, SPRING, 2X12 .....	D14	45	3
			30		G6	85	20		E10	57	26
MARK, HONDA .....	G16	95	6		G8	87	18	PIPE, EX. ....	E11	58	22
MARK, OIL ALERT .....	G14	93	6	NUT, U, 6MM .....	F13	76	7		F5	68	4
	G15	94	12	NUT, WING, 6MM .....	E16	63	11		F7	70	32
	H2	97	4	[ O ]					F8	71	2
			9	OIL SEAL, 30X46X8 .....	F1	64	9	PISTON .....	F9	72	4
MARK, OPERATOR CAUTION .....	G14	93	3		F3	66	10		F4	67	12
			8		F4	67	12		F6	69	26
	G15	94	14		F6	69	26	PISTON .....	D12	43	2
	H2	97	17	OIL SEAL, 35X52X8 .....	E16	63	11		D13	44	2
			18		F1	64	9		D14	45	2
			18		F3	66	10	PIVOT, ROCKER ARM .....	D15	46	6
	H3	98	29		F4	67	12	PLATE, BATTERY .....	H7	102	4
MARK, SALES POINT .....	G16	95	7		F6	69	26	PLATE, BATTERY GUARD .....	H7	102	1
MARK, STOP SWITCH .....	G16	95	2		E16	63	13	PLATE, BATTERY SETTING .....	H7	102	2
				OIL SEAL, 8X14X5 .....	F1	64	9	PLATE, FUEL INDICATION .....	H3	98	23
				O-RING, 14MM .....	D4	35	10	PLATE, LEVER SETTING .....	E9	56	20
					D6	37	10		E11	58	18
					D8	39	13	PLATE, SET .....	F6	69	22
					D4	35	9	PLUG, SPARK .....	D2	33	15
					D4	35	10				



# PART NAME INDEX

J 4

Part name	Address	Page	Ref.	Part name	Address	Page	Ref.	Part name	Address	Page	Ref.
PLUG, SPARK .....	H2	97	8	SCREW, CENTER .....	E3	50	11	SPRING, CABLE RETURN .....	G8	87	14
PROTECTOR COMP., EX. PIPE .....	F9	72	1	SCREW, FLAT, 5X10 .....	H4	99	15	SPRING, CHOKE RETURN .....	G9	88	1
PROTECTOR COMP., MUFFLER .....	F5	68	2	SCREW, PAN, 3X12 .....	G11	90	21	SPRING, COCK LEVER .....	E9	56	21
	F9	72	3	SCREW, PAN, 3X6 .....	E10	57	24		E11	58	19
PROTECTOR, CIRCUIT .....	G11	90	13		E11	58	21	SPRING, CONTROL ADJUSTING .....	G6	85	15
PROTECTOR, EX. PIPE .....	F5	68	3	SCREW, PAN, 4X12 .....	G12	91	22		G8	87	13
PROTECTOR, MUFFLER INNER .....	H6	101	4	SCREW, PAN, 4X6 .....	G6	85	22	SPRING, FRICTION .....	E2	49	5
PROTECTOR, MUFFLER OUTER .....	H6	101	3		G8	87	19	SPRING, GOVERNOR .....	G4	83	3
PULLEY COMP., STARTER .....	F13	76	2	SCREW, PAN, 5X12 .....	E14	61	39	SPRING, LEVER .....	G5	84	10
PULLEY, RECOIL STARTER .....	E2	49	3	SCREW, PAN, 5X16 .....	G6	85	23		G8	87	7
PULLEY, STARTER .....	F13	76	3		G7	86	33	SPRING, MANUAL CHOKE .....	E13	60	24
					G8	87	20	SPRING, RATCHET .....	E3	50	7
[ R ]				SCREW, PAN, 5X25 .....	G6	85	24	SPRING, STARTER RETURN .....	E2	49	6
RATCHET, STARTER .....	E2	49	4		G8	87	21	SPRING, THROTTLE RETURN .....	G4	83	4
RECTIFIER ASSY., SILICON .....	G10	89	6	SCREW, PAN, 5X32 .....	G6	85	24		G8	87	4
RETAINER, EX. VALVE SPRING .....	D16	47	12	SCREW, PAN, 5X35 .....	G7	86	31	SPRING, VALVE .....	D16	47	10
RETAINER, IN. VALVE SPRING .....	D16	47	11	SCREW, PAN, 5X45 .....	G6	85	25	SPRING, WEIGHT RETURN .....	D15	46	7
				SCREW, PAN, 5X8 .....	G9	88	5	STARTER ASSY., RECOIL .....	E2	49	1
RETAINER, SPRING .....	E3	50	8	SCREW, RECESSED, 5X25 .....	G6	85	28	STAY ASSY., MANUAL CHOKE .....	E13	60	18
RING SET, PISTON .....	D11	42	1	SCREW, SPECIAL, 6X12 .....	G11	90	17	STAY COMP., SOLENOID .....	E13	60	19
	D12	43	1	SCREW, TAPPING, 3X6 .....	E5	52	11	STAY, AIR CLEANER .....	H5	100	5
ROD ASSY., CONNECTING .....	D14	45	4	SCREW, TAPPING, 4X6 .....	F6	69	14	STAY, MUFFLER COVER .....	F6	69	21
ROD, CHOKE .....	E13	60	22					STOPPER, CHOKE ROD .....	E13	60	23
ROD, CHOKE CONTROL .....	E14	61	27		F8	71	6	STOPPER, DISCHARGE GUARD .....	H2	97	16
ROD, CONTROL .....	G8	87	3	SCREW, TAPPING, 5X25 .....	F6	69	25	STRAP, CABLE, 118MM .....	G11	90	19
ROD, GOVERNOR .....	G4	83	2	SCREW, TAPPING, 5X8 .....	F6	69	13	SUSPENSION, COUPLER .....	G10	89	7
ROD, PUSH .....	D15	46	3					SWITCH ASSY., COMBINATION .....	G11	90	11
ROD, THROTTLE .....	G8	87	16						H2	97	12
ROPE, RECOIL STARTER .....	E3	50	10		F9	72	12	SWITCH ASSY., ENGINE STOP .....	E4	51	4
ROTATOR, VALVE .....	E1	48	14	SCREW, TAPPING, 6X10 .....	F6	69	11		E5	52	8
RUBBER, BOTTOM .....	H2	97	14		F9	72	10		E6	53	5
				SCREW, THROTTLE STOP .....	E8	55	10				
RUBBER, FUEL .....	E14	61	38		E11	58	10		H2	97	2
RUBBER, SUPPORTER .....	F10	73	1		E13	60	10	SWITCH ASSY., OIL LEVEL .....	D3	34	2
RUBBER, TANK CUSHION .....	H4	99	13	SEAL, AIR CLEANER .....	H5	100	9		D4	35	16
RUBBER, TANK MOUNTING .....	H4	99	11	SEAL, CHOKE LEVER .....	E14	61	34	[ T ]			
				SEAL, MUFFLER PROTECTOR .....	H6	101	5	TANK COMP., FUEL .....	F10	73	3
[ S ]				SEAL, VALVE STEM .....	D15	46	1	TERMINAL ASSY., HIGH TENSION .....	F14	77	2
SCREEN SET, FUEL STRAINER .....	H4	99	3	SEAT, VALVE SPRING .....	D16	47	13		F15	78	2
SCREW-WASHER, 4X6 .....	G3	82	16	SEPARATOR, AIR CLEANER .....	H5	100	3	TOOL KIT .....	H1	96	17
SCREW-WASHER, 5X12 .....	E14	61	40	SHAFT, GOVERNOR ARM .....	D3	34	3				
	F7	70	28	SHAFT, P.T.O. .....	G13	92	6	TUBE, 11X105 .....	D2	33	8
SCREW-WASHER, 5X32 .....	G3	82	18	SHROUD .....	E4	51	3	TUBE, 3.5X130 .....	E14	61	50
SCREW-WASHER, 6X20 .....	F7	70	29		E6	53	4	TUBE, 3.5X75 .....	E14	61	49
SCREW SET .....	E7	54	5	SLIDER, GOVERNOR .....	D6	37	7	TUBE, BREATHER .....	D2	33	8
	E8	55	7		D7	38	8		H5	100	1
	E11	58	7	SOLENOID ASSY. ....	D8	39	9	TUBE, FASTENER, 30MM .....	G11	90	20
	E13	60	5	SPACER COMP., CARBURETOR .....	E8	55	15	TUBE, FUEL, 4.5X150 .....	E14	61	46
					E11	58	13	TUBE, FUEL, 4.5X235 .....	F12	75	9
SCREW SET, DRAIN .....	E7	54	6	SPACER, CONTROL LEVER .....	G5	84	13	TUBE, FUEL, 4.5X250 .....	E14	61	46
	E8	55	6		G8	87	10				
	E11	58	6	SPACER, MUFFLER COVER .....	F6	69	23	[ V ]			
	E13	60	7	SPANNER, 10X12 .....	H1	96	9	VALVE ASSY., SOLENOID .....	E13	60	17
SCREW SET, PILOT .....	E7	54	5	SPANNER, 10X14 .....	H1	96	10	VALVE SET, FLOAT .....	E7	54	2
	E10	57	29	SPANNER, 14X17 .....	H1	96	11		E11	58	2
	E11	58	5	SPRING, BRUSH RETURN .....	G2	81	10				
				SPRING, CABLE RETURN .....	G6	85	16				

# PART NAME INDEX

Part name	Address	Page	Ref.	Part name	Address	Page	Ref.	Part name	Address	Page	Ref.
VALVE SET, FLOAT .....	E13	60	2								
VALVE, DASHPOT CHECK .....	E14	61	30								
VALVE, EX. ....	D16	47	9								
VALVE, IN. ....	D15	46	8								
	D16	47	8								
[ W ]											
WASHER COMP., HEAD COVER .....	D2	33	12								
WASHER, 10.5X40X4 .....	H2	97	7								
WASHER, 16MM .....	E6	53	10								
WASHER, 8MM .....	D9	40	8								
WASHER, 8.2X17X0.8 .....	D4	35	7								
WASHER, CHOKE LEVER .....	E14	61	33								
WASHER, CONTROL LEVER .....	G5	84	11								
	G8	87	8								
WASHER, DRAIN PLUG, 12MM .....	D4	35	12								
WASHER, FRAME JOINT .....	H3	98	25								
WASHER, PLAIN, 4MM .....	G12	91	24								
WASHER, PLAIN, 5MM .....	E14	61	42								
	F7	70	30								
WASHER, PLAIN, 6MM .....	D6	37	11								
	D7	38	12								
	D8	39	15								
WASHER, SPRING, 4MM .....	G12	91	25								
WASHER, SPRING, 5MM .....	F7	70	31								
WASHER, TANK CUSHION .....	H4	99	12								
WASHER, THRUST, 2.7X8 .....	E14	61	35								
WEIGHT, BALANCER .....	D9	40	6								
WEIGHT, GOVERNOR .....	D6	37	16								
	D7	38	17								
	D8	39	6								
WIRE, WATER COVER .....	G3	82	13								
WRENCH COMP., SPARK PLUG .....	H1	96	7								
WRENCH, BOX .....	H1	96	5								
			14								
WRENCH, PLUG .....	H1	96	6								
WRENCH, SPARK PLUG .....	H1	96	6								
[ Y ]											
YOKE COMP. ....	G2	81	9								

---

**1**

**FOREWORD INDEX**

---

**2**

**ENGINE GROUP**

---

**3**

**PART NUMBER INDEX**

---

**4**

**PART NAME INDEX**

---

**HONDA**  
The Power of Dreams



# PARTS CATALOGUE NEWS

Honda Motor Co., Ltd. Service Division

## PARTS CATALOGUE - CORRECTED

Printed in Japan

CODE NO.	13Z1C403
PARTS CATALOGUE NEWS	GX390T1 GX390T2
NEWS NO.	001

(THAILAND-KD)

Block No.	Ref. No.	Note	Part No.	Description	Reqd. QTY		Serial No.	Parts catalogue code	
					GX 390 T1	GX 390 T2			
E-2	1	T	12200-Z1C-406	HEAD COMP., CYLINDER .....	1	-			
			12210-Z5T-406	.....	-	1			
	5	E	12251-ZF6-W01	*PARTS NO. DELETION					
			T	12251-Z1C-801	GASKET, CYLINDER HEAD (THAI LEAKLESS)	1	-	-----	ES2, ES3, LH2, QAPW, QBE1, QBLS, QBS, QHB1, QN, QTD, QTN, SWE2, SWX2, VMQ3, VMT2, VMT3, VSB4, VSB5, VSP, VS4, VS6
		T		12251-Z5T-003	GASKET, CYLINDER HEAD (NIPPON)	L	-	1337117	LH, LHB5, LHP1, LP, LT, PX, QH, QHB3, QHB5, QHP1, QMH, QP, QT, QX, QXE, SH, SHE, SN, SWE, SWX, SX, SXC, SXE, VTE5, VX, VXE, VXU1
	6	T	12310-ZE2-020	COVER COMP., HEAD .....	1	-	-----	ES2, ES3, LH, LHB5, LHP1, LH2, LP, LT, LXE8, LXE9, LXU, PX, PXE8, PXU, QAA2, QAA6, QAPW, QA2, QA26, QBE1, QH, QHB1, QHB3, QHB5, QHP1, QMH, QN, QP, QT, QTD, QTN, QX, QXE, QXEK, QXE8, QXK, QXQ4, QXU, SH, SHE, SN, SWE, SWE2, SWX, SWX2, SX, SXC, SXE, SXE8, SXQ4, VMQ3, VMT2, VMT3, VSB4, VSB5, VSP, VS4, VS6, VTE5, VX, VXE, VXE8, VVK, VXU1, VX8	
			T	12310-Z5T-000	COVER, CYLINDER HEAD .....	-	1		
	8	T	95005-11105-30	TUBE, 11X105 (95005-11001-30M)	1	-	-----	LBHB, LH, LHB5, LHP1, LH2, LT, LXE8, LXE9, LXU, PX, PXE8, PXU, QAA2, QAA6, QAPW, QA2, QA26, QBE1, QBH, QBHS, QBLS, QBS, QH, QHB1, QHB3, QHB5, QHP1, QMH, QN, QP, QT, QTD, QTN, QX, QXE, QXEK, QXE8, QXK, QXQ4, QXU, SH, SHE, SN, SWE, SWE2, SWX, SWX2, SX, SXC, SXE, SXE8, SXQ4, VSP, VTE5, VX, VXE, VXE8, VVK, VXU1, VX8	

NOTE A:PART NO. CHANGE D:NEWLY PROVIDED E:PART NO. DELETION K:REQUIRED NO. CORRECTION L:APPLICATION SERIAL NO. CORRECTION  
T:APPLICATION CORRECTION Z:REMARKS CHANGE

PARTS CATALOGUE NEWS

BOOKNo. : 13Z1C403

Block No.	Ref. No.	Note	Part No.	Description	Reqd. QTY		Serial No.		Parts catalogue code
					GX 390 T1	GX 390 T2			
		T	12357-Z5T-000	TUBE, BREATHER .....	-	1	-----	-----	LH, LHB5, LHP1, LH2, LXE9, PX, QAPW, QBE1, QH, QHB1, QHB3, QHB5, QHP1, QMH, QN, QP, QTD, QX, QXE, QXEK, QXK, SH, SWE2, SWX, SWX2, SX, SXC, VSP, VTE5, VX, VXE, VXK, VXU1
E-6	2	T	11381-ZE3-801	PACKING, CASE COVER .....	1	-	-----	-----	PX, PXE8, PXU, QAA2, QAA6, QAPW, QA2, QA26, QBE1, QBH, QBHS, QBLS, QBS, QH, QHB1, QHB3, QHB5, QHP1, QMH, QN, QP, QT, QTD, QTN, QX, QXE, QXEK, QXE8, QXK, QXQ4, QXU, SH, SHE, SN, SWE, SWE2, SWX, SWX2, SX, SXC, SXE, SXE8, SXQ4, VMQ3, VSB4, VSB5, VSP, VS4, VS6, VTE5, VX, VXE, VXE8, VXK, VXU1, VX8
		T	11381-Z5T-000	PACKING, CRANKCASE COVER .....	-	1	-----	-----	PX, QAPW, QBE1, QH, QHB1, QHB3, QHB5, QHP1, QMH, QN, QP, QTD, QX, QXE, QXEK, QXK, SH, SWE2, SWX, SWX2, SX, SXC, VMQ3, VSB3, VSB4, VSP, VS4, VS6, VTE5, VX, VXE, VXK, VXU1
E-6-1	3	T	11381-ZE3-801	PACKING, CASE COVER .....	1	-	-----	-----	LBHB, LH, LHB5, LHP1, LH2, LP, LT, LXE8, LXE9, LXU
		A	11381-Z5T-000	PACKING, CRANKCASE COVER .....	-	1	-----	-----	LH, LHB5, LHP1, LH2, LXE9
E-6-2	3	T	11381-ZE3-801	PACKING, CASE COVER .....	1	-	-----	-----	ES2, ES3, VMT2, VMT3
		A	11381-Z5T-000	PACKING, CRANKCASE COVER .....	-	1	-----	-----	ES2, VMT, VMT2, VMT3
E-8	1	T	13010-Z5R-004	RING SET, PISTON (STD.) (TEIKOKU)	1	-	-----	-----	ES3, LBHB, LH2, QAPW, QBE1, QBH, QBHS, QBLS, QBS, QHB1, QTN, SWE2, SWX2, VMQ3, VMT3, VSB4, VSB5, VS4, VS6
					1	-	1438370	-----	LH, LHB5, LHP1, LP, LT, LXE9, PX, QH, QHB3, QHB5, QHP1, QMH, QX, QXE, QXEK, QXK, SH, SHE, SWE, SWX, SX, SXC, SXE, VSP, VTE5, VX, VXE, VXK, VXU1
					1	-	1450801	-----	QN, QP, QT, QTD, SN
					-	1			
		T	13011-Z5R-004	RING SET, PISTON (0.25) (TEIKOKU)	(1)	-	-----	-----	ES3, LBHB, LH2, QAPW, QBE1, QBH, QBHS, QBLS, QBS, QHB1, QTN, SWE2, SWX2, VMQ3, VMT3, VSB4, VSB5, VS4, VS6
					(1)	-	1438370	-----	LH, LHB5, LHP1, LP, LT, LXE9, PX, QH, QHB3, QHB5, QHP1, QMH, QX, QXE, QXEK, QXK, SH, SHE, SWE, SWX, SX, SXC, SXE, VSP, VTE5, VX, VXE, VXK, VXU1
					(1)	-	1450801	-----	QN, QP, QT, QTD, SN
					-	(1)			

NOTE A:PART NO. CHANGE D:NEWLY PROVIDED E:PART NO. DELETION K:REQUIRED NO. CORRECTION L:APPLICATION SERIAL NO. CORRECTION  
T:APPLICATION CORRECTION Z:REMARKS CHANGE

PARTS CATALOGUE NEWS

BOOKNo. : 13Z1C403

Block No.	Ref. No.	Note	Part No.	Description	Reqd. QTY		Serial No.	Parts catalogue code
					GX 390 T1	GX 390 T2		
		T	13012-Z5R-004	RING SET, PISTON (0.50) (TEIKOKU)	(1)	-	-----	ES3, LBHB, LH2, QAPW, QBE1, QBH, QBHS, QBLS, QBS, QHB1, QTN, SWE2 SWX2, VMQ3, VMT3, VSB4, VSB5, VS4, VS6
					(1)	-	1438370	LH, LHB5, LHP1, LP, LT, LXE9, PX, QH, QHB3, QHB5, QHP1, QMH, QX, QXE QXEK, QXK, SH, SHE, SWE, SWX, SX, SXC, SXE, VSP, VTE5, VX, VXE, VXK VXU1
					(1)	-	1450801	QN, QP, QT, QTD, SN
					-	(1)		
		T	13013-Z5R-004	RING SET, PISTON (0.75) (TEIKOKU)	(1)	-	-----	ES3, LBHB, LH2, QAPW, QBE1, QBH, QBHS, QBLS, QBS, QHB1, QTN, SWE2 SWX2, VMQ3, VMT3, VSB4, VSB5, VS4, VS6
					(1)	-	1438370	LH, LHB5, LHP1, LP, LT, LXE9, PX, QH, QHB3, QHB5, QHP1, QMH, QX, QXE QXEK, QXK, SH, SHE, SWE, SWX, SX, SXC, SXE, VSP, VTE5, VX, VXE, VXK VXU1
					(1)	-	1450801	QN, QP, QT, QTD, SN
					-	(1)		
2		T	13101-ZF6-811	PISTON (STD.)	1	-	-----	QBLS
					1	-	1450801	QN, QP, QT, QTD, SN
		T	13102-ZF6-811	PISTON (0.25)	(1)	-	-----	QBLS
					(1)	-	1450801	QN, QP, QT, QTD, SN
		T	13103-ZF6-811	PISTON (0.50)	(1)	-	-----	QBLS
					(1)	-	1450801	QN, QP, QT, QTD, SN
		T	13104-ZF6-811	PISTON (0.75)	(1)	-	-----	QBLS
					(1)	-	1450801	QN, QP, QT, QTD, SN
		T	13101-Z5T-000	PISTON (STD.)	1	-	-----	LBHB, QAPW, QBE1, QBH, QBHS, QBS, QHB1, QTN
					1	-	1438370	LH, LHB5, LHP1, LP, LT, LXE9, PX, QH, QHB3, QHB5, QHP1, QMH, QX, QXE QXEK, QXK, SH, SHE, SWE, SWX, SX, SXC, SXE, VSP, VTE5, VX, VXE, VXK VXU1
		T	13102-Z5T-000	PISTON (0.25)	(1)	-	-----	LBHB, QAPW, QBE1, QBH, QBHS, QBS, QHB1, QTN

NOTE A:PART NO. CHANGE D:NEWLY PROVIDED E:PART NO.DELETION K:REQUIRED NO. CORRECTION L:APPLICATION SERIAL NO. CORRECTION  
T:APPLICATION CORRECTION Z:REMARKS CHANGE

PARTS CATALOGUE NEWS

BOOKNo. : 13Z1C403

Block No.	Ref. No.	Note	Part No.	Description	Reqd. QTY		Serial No.	Parts catalogue code
					GX 390 T1	GX 390 T2		
					(1)	-	1438370	LH, LHB5, LHP1, LP, LT, LXE9, PX, QH, QHB3, QHB5, QHP1, QMH, QX, QXE QXEK, QXK, SH, SHE, SWE, SWX, SX, SXC, SXE, VSP, VTE5, VX, VXE, VXK VXU1
		T	13103-Z5T-000	PISTON (0.50) .....	(1)	-	-----	LBHB, QAPW, QBE1, QBH, QBHS, QBS, QHB1, QTN
					(1)	-	1438370	LH, LHB5, LHP1, LP, LT, LXE9, PX, QH, QHB3, QHB5, QHP1, QMH, QX, QXE QXEK, QXK, SH, SHE, SWE, SWX, SX, SXC, SXE, VSP, VTE5, VX, VXE, VXK VXU1
		T	13104-Z5T-000	PISTON (0.75) .....	(1)	-	-----	LBHB, QAPW, QBE1, QBH, QBHS, QBS, QHB1, QTN
					(1)	-	1438370	LH, LHB5, LHP1, LP, LT, LXE9, PX, QH, QHB3, QHB5, QHP1, QMH, QX, QXE QXEK, QXK, SH, SHE, SWE, SWX, SX, SXC, SXE, VSP, VTE5, VX, VXE, VXK VXU1
		T	13101-Z5T-800	PISTON (STD.) .....	-	1		
		A	13102-Z5T-800	PISTON (0.25) .....	-	(1)		
		A	13103-Z5T-800	PISTON (0.50) .....	-	(1)		
		A	13104-Z5T-800	PISTON (0.75) .....	-	(1)		
	3	T	13111-ZF6-W00	PIN, PISTON .....	1	-		
		T	13111-Z5T-000	.....	-	1		
	4	T	13200-ZE3-315	ROD ASSY., CONNECTING (0.25 UNDER SIZE)	(1)	-	-----	ES2, ES3, VMQ3, VMT2, VMT3, VSB4, VSB5, VS4, VS6
		T	13200-Z1C-305	.....	(1)	-	-----	LBHB, LH, LHB5, LHP1, LH2, LT, LXE8, LXE9, LXU, PX, PXE8, PXU, QAA2 QAA6, QAPW, QA2, QA26, QBE1, QBH, QBHS, QBL5, QBS, QH, QHB1, QHB3 QHB5, QHP1, QMH, QN, QP, QT, QTD, QTN, QX, QXE, QXEK, QXE8, QXK, QXQ4 QXU, SH, SHE, SN, SWE, SWE2, SWX, SWX2, SX, SXC, SXE, SXE8, SXQ4, VSP VTE5, VX, VXE, VXE8, VXK, VXU1, VX8
					-	(1)		
E-9	2	T	14100-ZF6-W01	CAMSHAFT ASSY. ....	1	-	-----	ES2, ES3, LH, LHB5, LHP1, LH2, LT, LXE8, LXE9, LXU, PX, PXE8, PXU QAA2, QAA6, QAPW, QA2, QA26, QBE1, QBL5, QBS, QH, QHB1, QHB3, QHB5 QHP1, QMH, QN, QP, QT, QTD, QTN, QX, QXE, QXEK, QXE8, QXK, QXQ4, QXU SH, SHE, SN, SWE, SWE2, SWX, SWX2, SX, SXC, SXE, SXE8, SXQ4, VMQ3 VMT2, VMT3, VSB4, VSB5, VSP, VS4, VS6, VTE5, VX, VXE, VXE8, VXK, VXU1 VX8
		A	14100-Z5T-810	.....	-	1		

NOTE A:PART NO. CHANGE D:NEWLY PROVIDED E:PART NO.DELETION K:REQUIRED NO. CORRECTION L:APPLICATION SERIAL NO. CORRECTION  
T:APPLICATION CORRECTION Z:REMARKS CHANGE



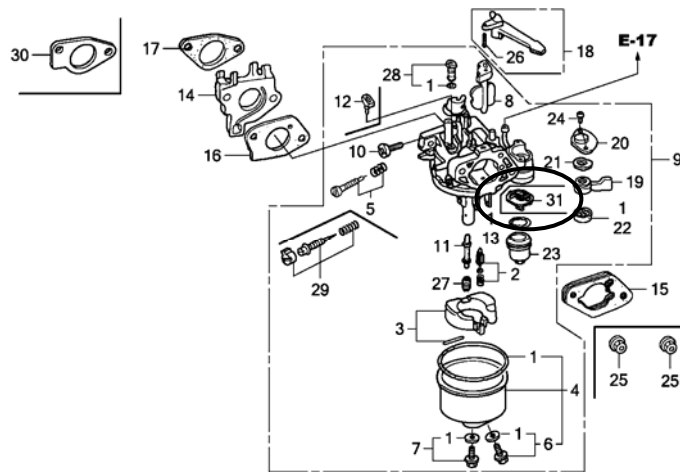
PARTS CATALOGUE NEWS

BOOKNo. : 13Z1C403

Block No.	Ref. No.	Note	Part No.	Description	Reqd. QTY		Serial No.	Parts catalogue code
					GX 390 T1	GX 390 T2		
		E	14100-Z5T-810	*PARTS NO. DELETION				
	8	T	14711-ZE3-000	VALVE, IN. ....	1	-	-----	ES2, ES3, LH, LHB5, LHP1, LH2, LP, LT, LXE8, LXE9, LXU, PX, PXE8, PXU, QAA2, QAA6, QAPW, QA2, QA26, QBE1, QBLS, QBS, QH, QHB1, QHB3, QHB5, QHP1, QMH, QN, QP, QT, QTD, QTN, QX, QXE, QXEK, QXE8, QXK, QXQ4, QXU, SH, SHE, SN, SWE, SWE2, SWX, SWX2, SX, SXC, SXE, SXE8, SXQ4, VMQ3, VMT2, VMT3, VSB4, VSB5, VSP, VS4, VS6, VTE5, VX, VXE, VXE8, VXX, VXU1, VX8
		A	14711-Z5T-000	.....	-	1		
		E	14711-Z5T-000	*PARTS NO. DELETION				
	9	T	14721-ZE3-000	VALVE, EX. ....	1	-	-----	LBHB, LH, LHB5, LHP1, LH2, LT, LXE8, LXE9, LXU, PX, PXE8, PXU, QAA2, QAA6, QAPW, QA2, QA26, QBE1, QBH, QBHS, QBLS, QBS, QH, QHB1, QHB3, QHB5, QHP1, QMH, QN, QP, QT, QTD, QTN, QX, QXE, QXEK, QXE8, QXK, QXQ4, QXU, SH, SHE, SN, SWE, SWE2, SWX, SWX2, SX, SXC, SXE, SXE8, SXQ4, VSP, VTE5, VX, VXE, VXE8, VXX, VXU1, VX8
		T	14721-ZE3-810	VALVE, EX. (STELLITE) .....	1	-	-----	ES2, ES3, VMQ3, VMT2, VMT3, VSB4, VSB5, VS4, VS6
		A	14721-Z5T-000	VALVE, EX. ....	-	1		

E-14 CARBURETOR (1)

Ref. No.	(Relative ref. Number)	Description	FRT
13	(23, 31)	3101L6 PACKING, FUEL STRAINER CUP ...	0.2



FR. Z1C0E1400F

NOTE A:PART NO. CHANGE D:NEWLY PROVIDED E:PART NO.DELETION K:REQUIRED NO. CORRECTION L:APPLICATION SERIAL NO. CORRECTION T:APPLICATION CORRECTION Z:REMARKS CHANGE

## PARTS CATALOGUE NEWS

BOOKNo. : 13Z1C403

Block No.	Ref. No.	Note	Part No.	Description	Reqd. QTY		Serial No.	Parts catalogue code
					GX 390 T1	GX 390 T2		
E-14	1	T	16010-ZE2-015	GASKET SET (EXCEPT 16173-001-004)	1	1	-----	LBHB, LT, QBE1, QBH, QBHS, QBLS, QBS, QHB1, QP, QT, QTD, QTN, SWE SWE2, SWX, SWX2
					1	-	-----	QN, VTE5
		T	16010-ZE2-812	GASKET SET (INCLUDE 16173-001-004)	1	1	-----	LH, LH2, LP, LXE8, LXE9, LXU, PXE8, PXU, QAA2, QAA6, QAPW, QA2, QA26 QHB5, QHP1, QXE8, QXK, QXQ4, QXU, SHE, SXE, SXE8, SXQ4, VSP, VXE8, VX8
					1	-	-----	LHB5, LHP1, PX, QH, QHB3, QMH, QX, QXE, QXEK, SH, SX, SXC, VX, VXE, VVK VXU1
	2	T	16011-ZA0-931	VALVE SET, FLOAT .....	1	1	-----	LBHB, LH, LH2, LP, LT, LXE8, LXE9, LXU, PXE8, PXU, QAA2, QAA6, QAPW QA2, QA26, QBE1, QBH, QBHS, QBLS, QBS, QHB1, QHB5, QHP1, QP, QT, QTD QTN, QXE8, QXK, QXQ4, QXU, SHE, SWE, SWE2, SWX, SWX2, SXE, SXE8, SXQ4 VSP, VXE8, VX8
					1	-	-----	LHB5, LHP1, PX, QH, QHB3, QMH, QN, QX, QXE, QXEK, SH, SX, SXC, VTE5, VX VXE, VVK, VXU1
	3	T	16013-Z1C-003	FLOAT SET .....	1	1	-----	LBHB, LH, LH2, LP, LT, LXE8, LXE9, LXU, PXE8, PXU, QAA2, QAA6, QAPW QA2, QA26, QBE1, QBH, QBHS, QBLS, QBS, QHB1, QHB5, QHP1, QP, QT, QTD QTN, QXE8, QXK, QXQ4, QXU, SHE, SWE, SWE2, SWX, SWX2, SXE, SXE8, SXQ4 VSP, VXE8, VX8
					1	-	-----	LHB5, LHP1, PX, QH, QHB3, QMH, QN, QX, QXE, QXEK, SH, SX, SXC, VTE5, VX VXE, VVK, VXU1
	4	T	16015-ZE8-005	CHAMBER SET, FLOAT .....	1	1	-----	LH, LH2, LP, LT, LXE8, LXE9, LXU, PXE8, PXU, QAA2, QAA6, QA2, QA26 QBE1, QHB1, QHB5, QHP1, QN, QP, QT, QTD, QTN, QXE8, QXK, QXQ4, QXU SHE, SWE, SWE2, SWX, SWX2, SXE, SXE8, SXQ4, VTE5, VXE8, VX8
					1	-	-----	LHB5, LHP1, PX, QAPW, QH, QHB3, QMH, QX, QXE, QXEK, SH, SX, SXC, VSP VX, VXE, VVK, VXU1
		D	16015-Z5T-901	.....	-	1	-----	QAPW, VSP
	5	T	16016-ZE0-005	SCREW SET, PILOT .....	1	1	-----	LP, LT, QBE1, QHB1, QP, QT, QTD, QTN, SWE, SWE2, SWX, SWX2
1					-	-----	QN, VTE5	
	T	16016-ZF6-005	.....	1	1	-----	LBHB, LH, LH2, LXE8, LXE9, LXU, PXE8, PXU, QBH, QBHS, QBLS, QBS, QHB5 QHP1, QXE8, QXK, QXU, SHE, SXE, SXE8, VXE8, VX8	
1				-	-----	LHB5, LHP1, PX, QH, QHB3, QMH, QX, QXE, QXEK, SH, SX, SXC, VX, VXE, VVK VXU1		

NOTE A:PART NO. CHANGE D:NEWLY PROVIDED E:PART NO. DELETION K:REQUIRED NO. CORRECTION L:APPLICATION SERIAL NO. CORRECTION  
T:APPLICATION CORRECTION Z:REMARKS CHANGE

PARTS CATALOGUE NEWS

BOOKNo. : 13Z1C403

Block No.	Ref. No.	Note	Part No.	Description	Reqd. QTY		Serial No.	Parts catalogue code
					GX 390 T1	GX 390 T2		
	6	T	16024-ZE1-811	SCREW SET, DRAIN .....	1	1	-----	LH, LH2, LP, LT, LXE8, LXE9, LXU, PXE8, PXU, QAA2, QAA6, QA2, QA26 QBE1, QHB1, QHB5, QHP1, QP, QT, QTD, QTN, QXE8, QXK, QXQ4, QXU, SHE SWE, SWE2, SWX, SWX2, SXE, SXE8, SXQ4, VXE8, VX8
					1	-	-----	LHB5, LHP1, PX, QAPW, QH, QHB3, QMH, QN, QX, QXE, QXEK, SH, SX, SXC VSP, VTE5, VX, VXE, VXK, VXU1
		D	16024-Z5T-901	.....	-	1	-----	QAPW, VSP
	7	T	16028-ZE0-005	SCREW SET .....	1	1	-----	LH, LH2, LP, LT, LXE8, LXE9, LXU, PXE8, PXU, QAA2, QAA6, QA2, QA26 QBE1, QHB1, QHB5, QHP1, QP, QT, QTD, QTN, QXE8, QXK, QXQ4, QXU, SHE SWE, SWE2, SWX, SWX2, SXE, SXE8, SXQ4, VXE8, VX8
					1	-	-----	LHB5, LHP1, PX, QAPW, QH, QHB3, QMH, QN, QX, QXE, QXEK, SH, SX, SXC VSP, VTE5, VX, VXE, VXK, VXU1
		D	16028-Z5T-901	.....	-	1	-----	QAPW, VSP
	8	T	16044-ZE3-W20	CHOKE SET .....	1	1	-----	LBHB, LH, LH2, LP, LT, LXE8, LXE9, LXU, PXE8, PXU, QAA2, QAA6, QA2 QA26, QBE1, QBH, QBHS, QBLS, QBS, QHB1, QHB5, QHP1, QP, QT, QTD, QTN QXE8, QXK, QXQ4, QXU, SHE, SWE, SWE2, SWX, SWX2, SXE, SXE8, SXQ4 VXE8, VX8
					1	-	-----	LHB5, LHP1, PX, QAPW, QH, QHB3, QMH, QN, QX, QXE, QXEK, SH, SX, SXC VSP, VTE5, VX, VXE, VXK, VXU1
		D	16044-Z5T-901	.....	-	1	-----	QAPW, VSP
	9	T	16100-Z1C-W31	CARBURETOR ASSY. (BE85N A) ...	1	1	-----	LT, QBE1, QHB1, QP, QT, QTD, QTN, SWE, SWE2, SWX, SWX2
					1	-	-----	QN, VTE5
		T	16100-Z1C-601	CARBURETOR ASSY. (BE85K A) ...	1	1	-----	LH, LH2, LXE8, LXE9, LXU, PXE8, PXU, QHB5, QXE8, QXK, QXU, SHE, SXE SXE8
					1	-	-----	LHB5, LHP1, PX, QH, QHB3, QHP1, QMH, QX, QXE, QXEK, SH, SX, SXC
		T	16100-Z1C-651	CARBURETOR ASSY. (BE85M A) ...	1	-	-----	VX, VXE, VXE8, VXK, VXU1, VX8
		D	16100-Z1C-911	CARBURETOR ASSY. ....	-	1	-----	VX, VXE, VXK, VXU1
		D	16100-Z1C-931	.....	-	1	-----	QN, VTE5
		T	16100-Z1C-901	.....	-	1	-----	LHB5, LHP1, PX, QH, QHB3, QHP1, QMH, QX, QXE, QXEK, SH, SX, SXC

NOTE A:PART NO. CHANGE D:NEWLY PROVIDED E:PART NO.DELETION K:REQUIRED NO. CORRECTION L:APPLICATION SERIAL NO. CORRECTION  
T:APPLICATION CORRECTION Z:REMARKS CHANGE

PARTS CATALOGUE NEWS

BOOKNo. : 13Z1C403

Block No.	Ref. No.	Note	Part No.	Description	Reqd. QTY		Serial No.	Parts catalogue code
					GX 390 T1	GX 390 T2		
	10	T	16124-ZE0-005	SCREW, THROTTLE STOP .....	1	1	-----	LBHB, LH, LH2, LP, LT, LXE8, LXE9, LXU, PXE8, PXU, QAA2, QAA6, QAPW, QA2, QA26, QBE1, QBH, QBHS, QBL5, QBS, QHB1, QHB5, QHP1, QP, QT, QTD, QTN, QXE8, QXK, QXQ4, QXU, SHE, SWE, SWE2, SWX, SWX2, SXE, SXE8, SXQ4, VSP, VXE8, VX8
					1	-	-----	LHB5, LHP1, PX, QH, QHB3, QMH, QN, QX, QXE, QXEK, SH, SX, SXC, VTE5, VX, VXE, VXK, VXU1
	11	T	16166-ZF6-V00	NOZZLE, MAIN .....	1	1	-----	LH, LH2, LXE8, LXE9, LXU, PXE8, PXU, QAA2, QAA6, QA2, QA26, QHB5, QHP1, QXE8, QXK, QXQ4, QXU, SHE, SXE, SXE8, SXQ4, VXE8, VX8
					1	-	-----	LHB5, LHP1, PX, QH, QHB3, QMH, QX, QXE, QXEK, SH, SX, SXC, VSP, VX, VXE, VXK, VXU1
		D	16166-Z5T-901	.....	-	1	-----	QAPW, VSP
	12	T	16172-ZE3-W10	COLLAR, SETTING .....	1	1	-----	LH, LH2, LXE8, LXE9, LXU, PXE8, PXU, QAA2, QAA6, QA2, QA26, QHB5, QHP1, QXE8, QXK, QXQ4, QXU, SHE, SXE, SXE8, SXQ4, VSP, VXE8, VX8
					1	-	-----	LHB5, LHP1, PX, QH, QHB3, QMH, QX, QXE, QXEK, SH, SX, SXC, VX, VXE, VXK, VXU1
					-	1	-----	QAPW
	13	T	16173-001-004	PACKING, FUEL STRAINER CUP ...	1	1	-----	LBHB, LH, LH2, LP, LT, LXE8, LXE9, LXU, PXE8, PXU, QAA2, QAA6, QAPW, QA2, QA26, QBE1, QBH, QBHS, QBL5, QBS, QHB1, QHB5, QHP1, QP, QT, QTD, QTN, QXE8, QXK, QXQ4, QXU, SHE, SWE, SWE2, SWX, SWX2, SXE, SXE8, SXQ4, VSP, VXE8, VX8
					1	-	-----	LHB5, LHP1, PX, QH, QHB3, QMH, QN, QX, QXE, QXEK, SH, SX, SXC, VTE5, VX, VXE, VXK, VXU1
	14	T	16211-ZF6-000	INSULATOR, CARBURETOR .....	1	-	-----	LBHB, LH, LHB5, LHP1, LH2, LP, LT, LXE8, LXE9, LXU, PX, PXE8, PXU, QAA2, QAA6, QAPW, QA2, QA26, QBE1, QBH, QBHS, QBL5, QBS, QH, QHB1, QHB3, QHB5, QHP1, QMH, QN, QP, QT, QTD, QTN, QX, QXE, QXEK, QXE8, QXK, QXQ4, QXU, SH, SHE, SWE, SWE2, SWX, SWX2, SX, SXC, SXE, SXE8, SXQ4, VSP, VTE5, VX, VXE, VXE8, VXK, VXU1, VX8
		T	16211-Z5T-000	.....	-	1	-----	LH, LHB5, LHP1, LH2, LXE9, PX, QAPW, QBE1, QH, QHB1, QHB3, QHB5, QHP1, QMH, QN, QP, QTD, QX, QXE, QXEK, QXK, SH, SWE2, SWX, SWX2, SX, SXC, VSP, VTE5, VX, VXE, VXK, VXU1
	16	T	16221-ZF6-800	PACKING, CARBURETOR .....	1	-	-----	LBHB, LH, LHB5, LHP1, LH2, LP, LT, LXE8, LXE9, LXU, PX, PXE8, PXU, QAA2, QAA6, QAPW, QA2, QA26, QBE1, QBH, QBHS, QBL5, QBS, QH, QHB1, QHB3, QHB5, QHP1, QMH, QN, QP, QT, QTD, QTN, QX, QXE, QXEK, QXE8, QXK, QXQ4, QXU, SH, SHE, SWE, SWE2, SWX, SWX2, SX, SXC, SXE, SXE8, SXQ4, VSP, VTE5, VX, VXE, VXE8, VXK, VXU1, VX8

NOTE A:PART NO. CHANGE D:NEWLY PROVIDED E:PART NO.DELETION K:REQUIRED NO. CORRECTION L:APPLICATION SERIAL NO. CORRECTION  
T:APPLICATION CORRECTION Z:REMARKS CHANGE

PARTS CATALOGUE NEWS

BOOKNo. : 13Z1C403

Block No.	Ref. No.	Note	Part No.	Description	Reqd. QTY		Serial No.	Parts catalogue code	
					GX 390 T1	GX 390 T2			
		T	16221-Z5T-000	.....	-	1	-----	-----	LH, LHB5, LHP1, LH2, LXE9, PX, QAPW, QBE1, QH, QHB1, QHB3, QHB5, QHP1, QMH, QN, QP, QTD, QX, QXE, QXEK, QXK, SH, SWE2, SWX, SWX2, SX, SXC, VSP, VTE5, VX, VXE, VXK, VXU1
	17	T	16223-ZE3-W00	PACKING, INSULATOR .....	1	-	-----	-----	LBHB, LH, LHB5, LHP1, LH2, LP, LT, LXE8, LXE9, LXU, PX, PXE8, PXU, QAA2, QAA6, QAPW, QA2, QA26, QBE1, QBH, QBHS, QBL5, QBS, QH, QHB1, QHB3, QHB5, QHP1, QMH, QN, QP, QT, QTD, QTN, QX, QXE, QXEK, QXE8, QXK, QXQ4, QXU, SH, SHE, SWE, SWE2, SWX, SWX2, SX, SXC, SXE, SXE8, SXQ4, VSP, VTE5, VX, VXE, VXE8, VXK, VXU1, VX8
	19	T	16953-ZE1-812	LEVER, COCK .....	1	1	-----	-----	LBHB, LH, LH2, LP, LT, LXE8, LXE9, LXU, PXE8, PXU, QAA2, QAA6, QAPW, QA2, QA26, QBE1, QBH, QBHS, QBL5, QBS, QHB1, QHB5, QHP1, QP, QT, QTD, QTN, QXE8, QXK, QXQ4, QXU, SHE, SWE, SWE2, SWX, SWX2, SXE, SXE8, SXQ4, VSP, VXE8, VX8
					1	-	-----	-----	LHB5, LHP1, PX, QH, QHB3, QMH, QN, QX, QXE, QXEK, SH, SX, SXC, VTE5, VX, VXE, VXK, VXU1
	20	T	16954-ZE1-812	PLATE, LEVER SETTING .....	1	1	-----	-----	LBHB, LH, LH2, LP, LT, LXE8, LXE9, LXU, PXE8, PXU, QAA2, QAA6, QAPW, QA2, QA26, QBE1, QBH, QBHS, QBL5, QBS, QHB1, QHB5, QHP1, QP, QT, QTD, QTN, QXE8, QXK, QXQ4, QXU, SHE, SWE, SWE2, SWX, SWX2, SXE, SXE8, SXQ4, VSP, VXE8, VX8
					1	-	-----	-----	LHB5, LHP1, PX, QH, QHB3, QMH, QN, QX, QXE, QXEK, SH, SX, SXC, VTE5, VX, VXE, VXK, VXU1
	21	T	16956-ZE1-811	SPRING, COCK LEVER .....	1	1	-----	-----	LBHB, LH, LH2, LP, LT, LXE8, LXE9, LXU, PXE8, PXU, QAA2, QAA6, QAPW, QA2, QA26, QBE1, QBH, QBHS, QBL5, QBS, QHB1, QHB5, QHP1, QP, QT, QTD, QTN, QXE8, QXK, QXQ4, QXU, SHE, SWE, SWE2, SWX, SWX2, SXE, SXE8, SXQ4, VSP, VXE8, VX8
					1	-	-----	-----	LHB5, LHP1, PX, QH, QHB3, QMH, QN, QX, QXE, QXEK, SH, SX, SXC, VTE5, VX, VXE, VXK, VXU1
	22	T	16957-ZE1-812	PACKING, FUEL COCK .....	1	1	-----	-----	LBHB, LH, LH2, LP, LT, LXE8, LXE9, LXU, PXE8, PXU, QAA2, QAA6, QAPW, QA2, QA26, QBE1, QBH, QBHS, QBL5, QBS, QHB1, QHB5, QHP1, QP, QT, QTD, QTN, QXE8, QXK, QXQ4, QXU, SHE, SWE, SWE2, SWX, SWX2, SXE, SXE8, SXQ4, VSP, VXE8, VX8
					1	-	-----	-----	LHB5, LHP1, PX, QH, QHB3, QMH, QN, QX, QXE, QXEK, SH, SX, SXC, VTE5, VX, VXE, VXK, VXU1
	23	T	16967-ZE0-811	CUP, FUEL STRAINER .....	1	1	-----	-----	LBHB, LH, LH2, LP, LT, LXE8, LXE9, LXU, PXE8, PXU, QAA2, QAA6, QAPW, QA2, QA26, QBE1, QBH, QBHS, QBL5, QBS, QHB1, QHB5, QHP1, QP, QT, QTD, QTN, QXE8, QXK, QXQ4, QXU, SHE, SWE, SWE2, SWX, SWX2, SXE, SXE8, SXQ4, VSP, VXE8, VX8

NOTE A:PART NO. CHANGE D:NEWLY PROVIDED E:PART NO.DELETION K:REQUIRED NO. CORRECTION L:APPLICATION SERIAL NO. CORRECTION  
T:APPLICATION CORRECTION Z:REMARKS CHANGE

PARTS CATALOGUE NEWS

BOOKNo. : 13Z1C403

Block No.	Ref. No.	Note	Part No.	Description	Reqd. QTY		Serial No.	Parts catalogue code
					GX 390 T1	GX 390 T2		
					1	-	-----	LHB5, LHP1, PX, QH, QHB3, QMH, QN, QX, QXE, QXEK, SH, SX, SXC, VTE5, VX VXE, VXK, VXU1
	24	T	93500-03006-1H	SCREW, PAN, 3X6 .....	2	2	-----	LHB5, LHP1, PX, QH, QHB3, QMH, QN, QX, QXE, QXEK, SH, SX, SXC, VTE5, VX VXE, VXK, VXU1
					2	-	-----	LHB5, LHP1, PX, QH, QHB3, QMH, QN, QX, QXE, QXEK, SH, SX, SXC, VTE5, VX VXE, VXK, VXU1
	27	T	99101-ZH8-0880	JET, MAIN, #88 .....	(1)	(1)	-----	LH, LH2, LXE8, LXE9, LXU, PXE8, PXU, QAA2, QAA6, QA2, QA26, QHB5 QXE8, QXK, QXQ4, QXU, SHE, SXE, SXE8, SXQ4
					(1)	-	-----	LHB5, LHP1, PX, QH, QHB3, QHP1, QMH, QX, QXE, QXEK, SH, SX, SXC
		T	99101-ZH8-0900	JET, MAIN, #90 .....	(1)	(1)	-----	LH, LH2, LXE8, LXE9, LXU, PXE8, PXU, QAA2, QAA6, QA2, QA26, QHB5 QXE8, QXK, QXQ4, QXU, SHE, SXE, SXE8, SXQ4, VXE8, VX8
					(1)	-	-----	LHB5, LHP1, PX, QH, QHB3, QHP1, QMH, QX, QXE, QXEK, SH, SX, SXC, VSP VX, VXE, VXK, VXU1
		T	99101-ZH8-0920	JET, MAIN, #92 .....	1	1	-----	LH, LH2, LXE8, LXE9, LXU, PXE8, PXU, QAA2, QAA6, QA2, QA26, QHB5 QXE8, QXK, QXQ4, QXU, SHE, SXE, SXE8, SXQ4
					1	-	-----	LHB5, LHP1, PX, QH, QHB3, QHP1, QMH, QX, QXE, QXEK, SH, SX, SXC
					(1)	(1)	-----	VX, VXE, VXE8, VXK, VXU1, VX8
					(1)	-	-----	VSP
	28	T	99204-ZA0-0450	JET SET, PILOT, #45 .....	1	1	-----	LH, LH2, LXE8, LXE9, LXU, PXE8, PXU, QAA2, QAA6, QA2, QA26, QHB5 QHP1, QXE8, QXK, QXQ4, QXU, SHE, SXE, SXE8, SXQ4, VXE8, VX8
					1	-	-----	LHB5, LHP1, PX, QH, QHB3, QMH, QX, QXE, QXEK, SH, SX, SXC, VSP, VX, VXE VXK, VXU1
	30	T	16212-Z5T-000	PACKING, CARBURETOR INSULATOR	-	1	-----	LH, LHB5, LHP1, LH2, LXE9, PX, QAPW, QBE1, QH, QHB1, QHB3, QHB5, QHP1 QMH, QN, QP, QTD, QX, QXE, QXEK, QXK, SH, SWE2, SWX, SWX2, SX, SXC, VSP VTE5, VX, VXE, VXK, VXU1
	31	D	16959-Z5T-901	FILTER, CUP .....	-	1	-----	QAPW, VSP
E-22	5	T	16570-ZE3-W00	CONTROL ASSY. (STD.) .....	1	-	-----	SN, VTE5, VX, VXE
		A	16500-Z5T-000	.....	-	1	-----	VTE5, VX, VXE

NOTE A:PART NO. CHANGE D:NEWLY PROVIDED E:PART NO. DELETION K:REQUIRED NO. CORRECTION L:APPLICATION SERIAL NO. CORRECTION  
T:APPLICATION CORRECTION Z:REMARKS CHANGE

PARTS CATALOGUE NEWS

BOOKNo. : 13Z1C403

Block No.	Ref. No.	Note	Part No.	Description	Reqd. QTY		Serial No.		Parts catalogue code
					GX 390 T1	GX 390 T2			
	7	T	16570-ZE3-W20	CONTROL ASSY. (REMOTE) .....	1	1	-----	-----	LH, LH2, LXE8, LXU, PXE8, PXU, QAA2, QAA6, QA2, QA26, QP, QT, QTN, QXE8, QXQ4, QXU, SHE, SWE, SWE2, SWX, SWX2, SXE, SXE8, SXQ4
					1	-	-----	-----	LHB5, LHP1, LXE9, PX, QAPW, QH, QHB3, QHB5, QHP1, QMH, QN, QX, QXE, QXEK, QXK, SH, SX, SXC
		T	16500-Z5T-810	CONTROL ASSY. (REMOTE) (ROD) ..	-	1	-----	-----	LHB5, LHP1, LXE9, PX, QAPW, QH, QHB3, QHB5, QHP1, QMH, QN, QX, QXE, QXEK, QXK, SH, SX, SXC
	8	T	16570-ZE3-721	CONTROL ASSY. ....	1	-	-----	-----	VSP, VXE8, VXK, VXU1, VX8
		T	16500-Z5T-870	.....	-	1	-----	-----	VSP, VXK, VXU1
	14	T	16581-ZE3-W00	BASE COMP., CONTROL (###) ....	1	1	-----	-----	LH, LH2, LP, LT, LXE8, LXU, PXE8, PXU, QAA2, QAA6, QA2, QA26, QBE1, QHB1, QP, QT, QTD, QTN, QXE8, QXQ4, QXU, SHE, SN, SWE, SWE2, SWX, SWX2, SXE, SXE8, SXQ4
					1	-	-----	-----	LHB5, LHP1, LXE9, PX, QAPW, QH, QHB3, QHB5, QHP1, QMH, QN, QX, QXE, QXEK, QXK, SH, SX, SXC, VTE5, VX, VXE
		A	16580-Z5T-000	BASE COMP., CONTROL .....	-	1	-----	-----	LHB5, LHP1, LXE9, PX, QAPW, QH, QHB3, QHB5, QHP1, QMH, QN, QX, QXE, QXEK, QXK, SH, SX, SXC, VTE5, VX, VXE
		E	16580-Z5T-000	*PARTS NO. DELETION					

NOTE A:PART NO. CHANGE D:NEWLY PROVIDED E:PART NO.DELETION K:REQUIRED NO. CORRECTION L:APPLICATION SERIAL NO. CORRECTION  
T:APPLICATION CORRECTION Z:REMARKS CHANGE