

PARTS MANUAL

Model

**RGX7800
GENERATOR**

PUB-GP6801
Rev. 07/09

Robin America, Inc.

905 Telser Road • Lake Zurich, IL 60047 • Phone: 847-540-7300 • Fax: 847-438-5012
e-mail: sales@robinamerica.com • www.subarupower.com

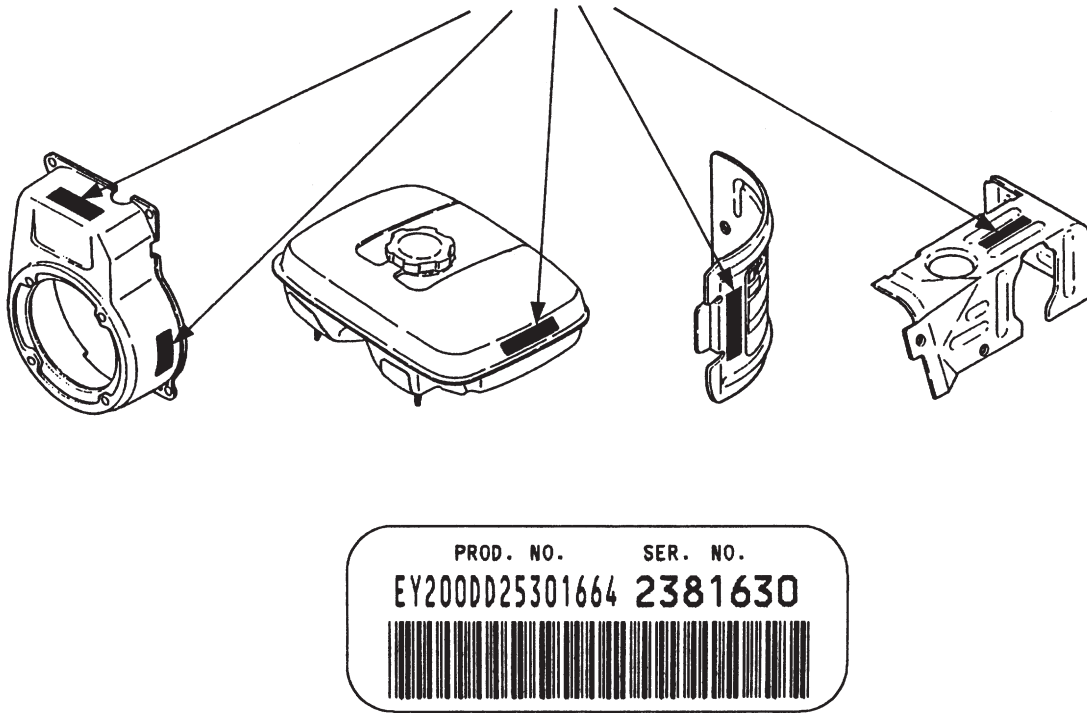
© Copyright 2009 Robin America, Inc.

HOW TO USE THIS MANUAL

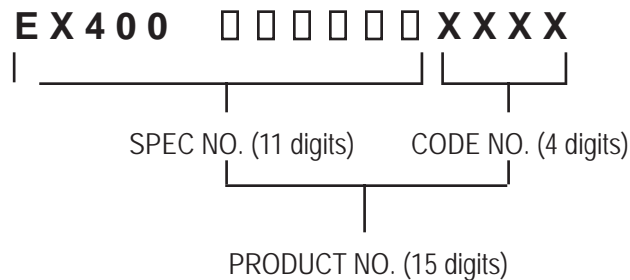
Robin engines are identified by MODEL, SPECIFICATION, and CODE NUMBER. For each model there may be many different versions called specifications. Each specification will be unique in some way. The difference may only be the paint color or it may have a different type of PTO or some other significant difference.

In order to identify the correct service part number, it is important to confirm the specification and code numbers for your engine. The specification and code number together are known as the PRODUCT NUMBER.

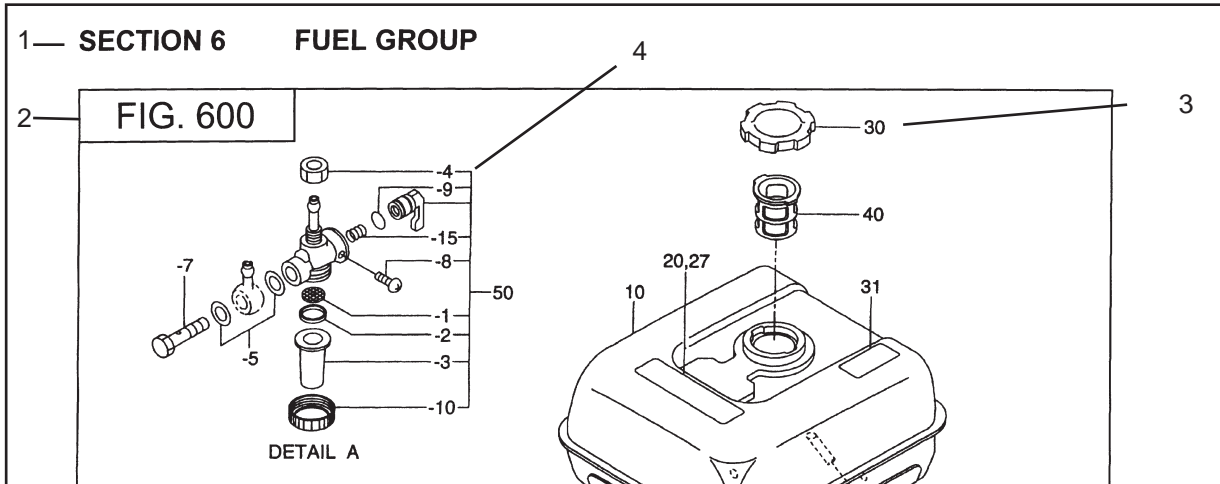
All Robin 4 cycle engines have a Product Number label similar to the label illustrated below.



The Product Number Label has a 15 digit alphanumeric string that consists of the SPECIFICATION (SPEC) number (11 digits) and the CODE number (4 digits). Please note the illustration below:



MANUAL LAYOUT



REF.	PART NO.	DESCRIPTION	QTY.	REMARKS	FROM-TO	FIG.
10	267-60103-01	FUEL TANK CP	1	YD, YS TYPE, BLACK		600
	267-60101-01	FUEL TANK CP	1	YELLOW		600
27	073-20039-00	LABEL, WARNING	1	YD, YS TYPE		600
30	043-04300-15	FUEL TANK CAP CP	1			600
31	267-95201-03	LABEL, EMISSION	1	YD, YS TYPE		600
40	064-13600-10	FUEL FILTER	1			600
50	064-20021-01	FUEL STRAINER AY	1			600
-1	064-20002-20	FILTER	1			600
-2	064-20002-30	GASKET	1			600
-3	064-20019-10	CUP	1			600

1. SECTION NAME Parts are broadly classified according to their functions. Refer to the Group Index (table of contents) for respective section name.
2. FIG. No. The FIG. number indexes the reference and part numbers to the illustration. Figure numbers that vary only in the tens place (i.e.: 700 and 710) are in a group of the same section (i.e.: Electrical Device Group).
3. REF. No. The Reference number identifies the part illustration with the corresponding part number in the part list.
4. SUBASSEMBLY SUBASSEMBLY parts of part assembly are listed below the assembly part. The subassembly part reference number is indicated by the number led by "-" such as "-1", "-2".
5. PART NUMBER It is the number assigned for sales unit. Use the PART No. when making an order.
6. DESCRIPTION It is designation of the part.
7. QTY. Quantity of each part used for each product.
8. REMARKS This gives a distinctive feature and/or a supplementary comment for the type, the specification, and the part concerned. It also shows part number(s) interchangeable for the part.
9. FROM-TO This section shows the CODE No. to indicate the history of progress in which improved parts have been introduced in the product. The FROM-TO CODE No. helps to identify PART No. being employed in the product concerned. See the examples below:
 - The part is used in the product irrespective of CODE No.
 - 2101- The part is used in the products with CODE No. of 2101 and after this number.
 - 2100 The part is used in the products with CODE No. of 2100 and before this number.

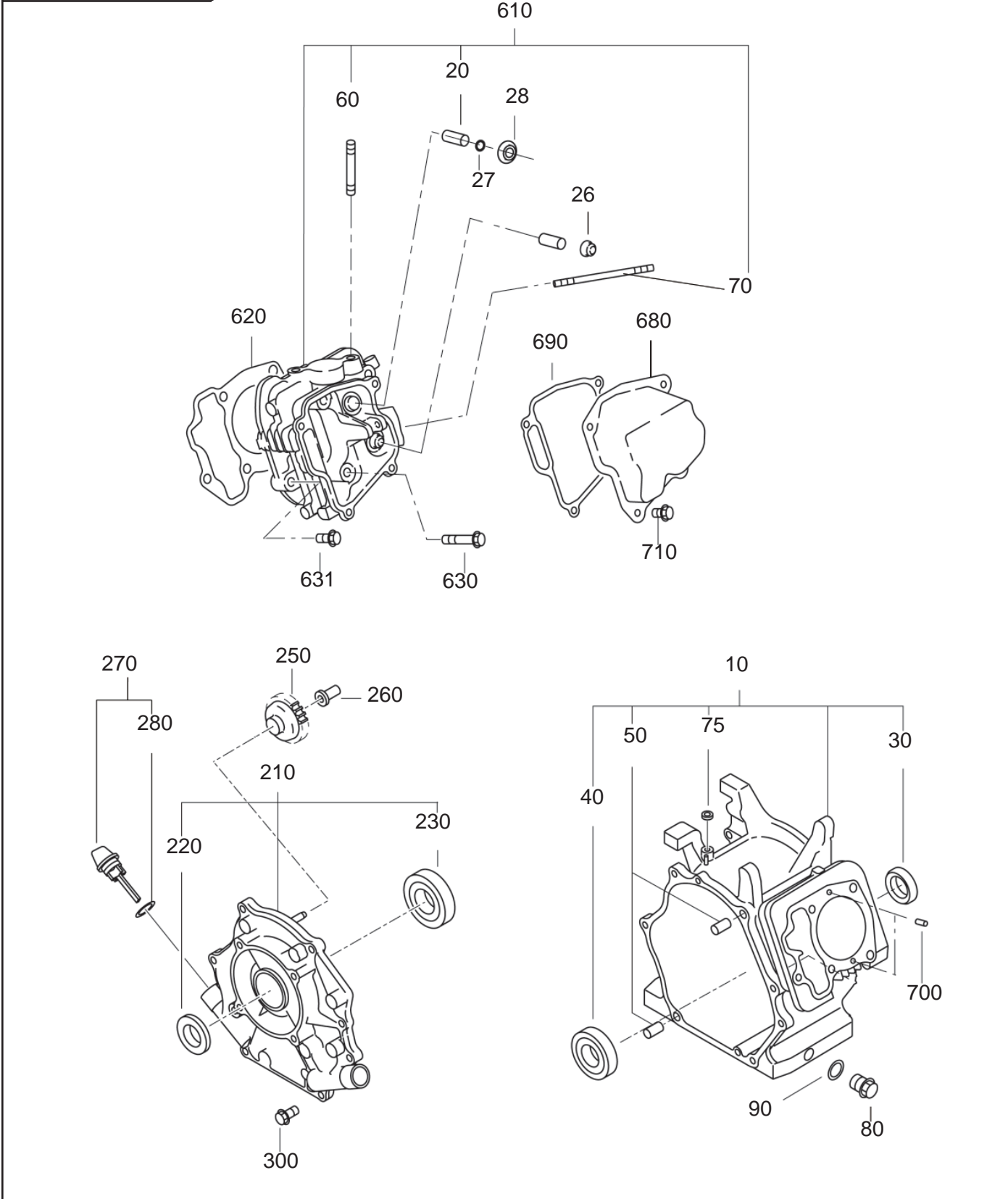
GROUP INDEX

Group Name	Page
CRANKCASE GROUP	6
CRANKSHAFT GROUP	8
INTAKE and EXHAUST GROUP	10
GOVERNOR GROUP	14
COOLING and STARTING GROUP	16
FUEL, LUBRICANT GROUP	18
CARBURETOR GROUP	20
ELECTRIC DEVICE GROUP	22
GENERATOR GROUP	30

INDEX OF DESCRIPTION SYMBOLS			
SYMBOL	DESCRIPTION	SYMBOL	DESCRIPTION
AY	ASSEMBLY	P=	PITCH (in mm)
CP	COMPLETE	P.T.O. (PTO)	POWER TAKE OFF
EX	EXPORT (from Japan)	REF	REFERENCE
FIG	FIGURE	R.H. (RH)	RIGHT HAND SIDE
FR	FRONT	RR	REAR
"	INCH	STD.	STANDARD
INCL.	INCLUDE	SW	SWITCH
-L	LITER	T=	THICKNESS (in mm)
L=	LENGTH (in. mm)	UN	UNIT
L.H. (LH)	LEFT-HAND SIDE	U.S.	UNDER SIZE
MECH	MECHANICAL	~V	VOLTAGE
NO (NON)	NONE	~W	WATT
OPT	OPTIONAL	W/	WITH
O.S.	OVER SIZE	W/O	WITHOUT

SECTION 1 CRANKCASE GROUP

FIG. 100

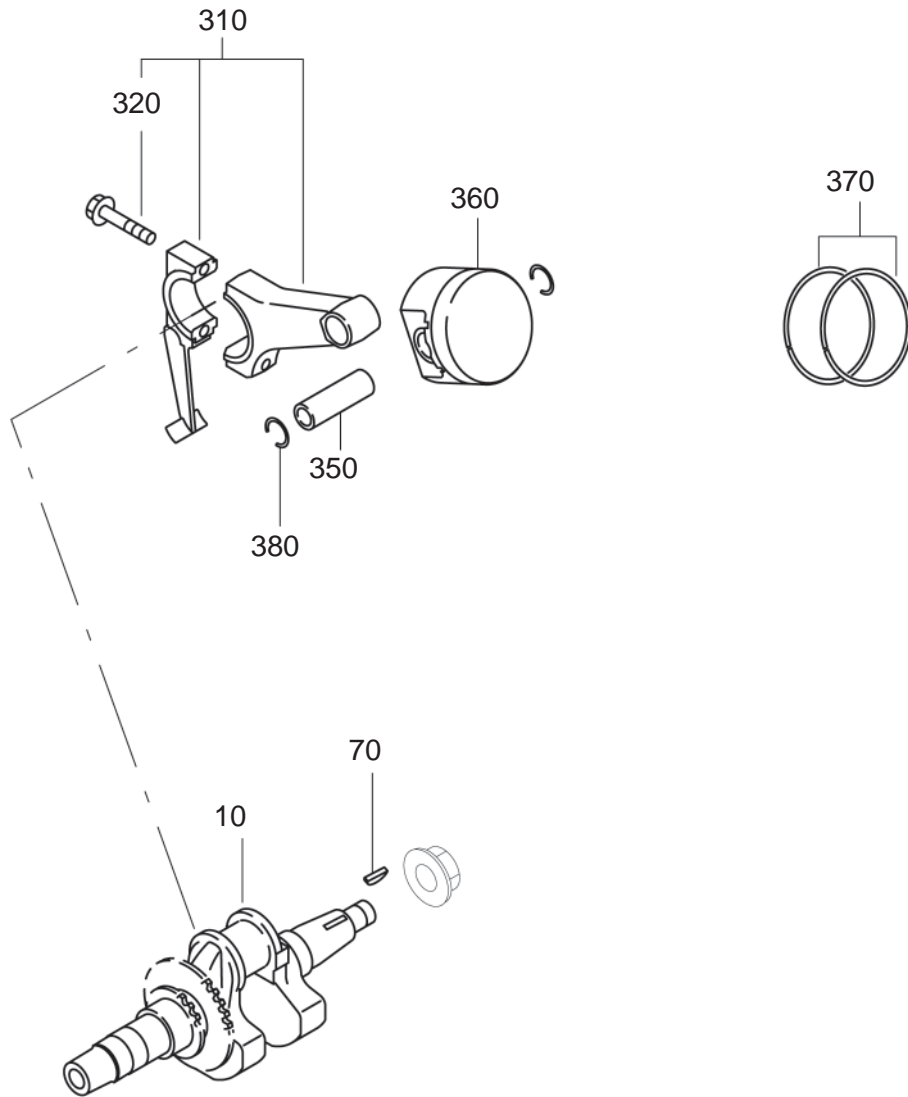


SECTION 1 CRANKCASE GROUP

REF.	PART NO.	DESCRIPTION	QTY.	REMARKS	FROM-TO	FIG.
10	20B-10104-31	Crankcase Cp	1			100
20	20B-14202-03	Valve Guide	2			100
26	132-11AA1-10	Seal, intake valve	1			100
27	056-51000-50	Clip	1			100
28	263-35341-03	Retainer Plate	1			100
30	044-03500-90	Oil Seal	1			100
40	060-03502-40	Ball Bearing	1			100
50	277-15001-03	Pipe Knock	2			100
60	010-50802-90	Stud	2			100
70	010-50603-51	Stud	2			100
75	044-00800-10	Oil Seal	1			100
80	040-11400-30	Plug	1			100
90	021-11400-20	Gasket	1			100
210	20B-11004-11	Mainbearing Cover Cp	1			100
220	044-03500-90	Oil Seal	1			100
230	060-03502-40	Ball Bearing	1			100
250	20B-45003-01	Governor Gear Cp	1			100
260	277-41901-03	Governor Sleeve	1			100
270	279-63601-30	Oil Gauge Ay	2			100
280	279-63601-08	Gasket	2			100
300	011-00803-40	Flange Bolt	8			100
610	20B-13001-01	Cylinder Head Cp	1			100
620	20B-15001-03	Gasket, head	1			100
630	011-01000-40	Flange Bolt	4			100
631	001-04083-50	Flange Bolt	2			100
680	20B-15501-01	Rocker Cover Cp	1			100
690	20B-16001-03	Gasket, rocker cover	1			100
700	031-00600-10	Dowel Pin	2			100
710	011-00600-20	Flange Bolt	4			100
960	20B-99001-07	Gasket Set	1			100

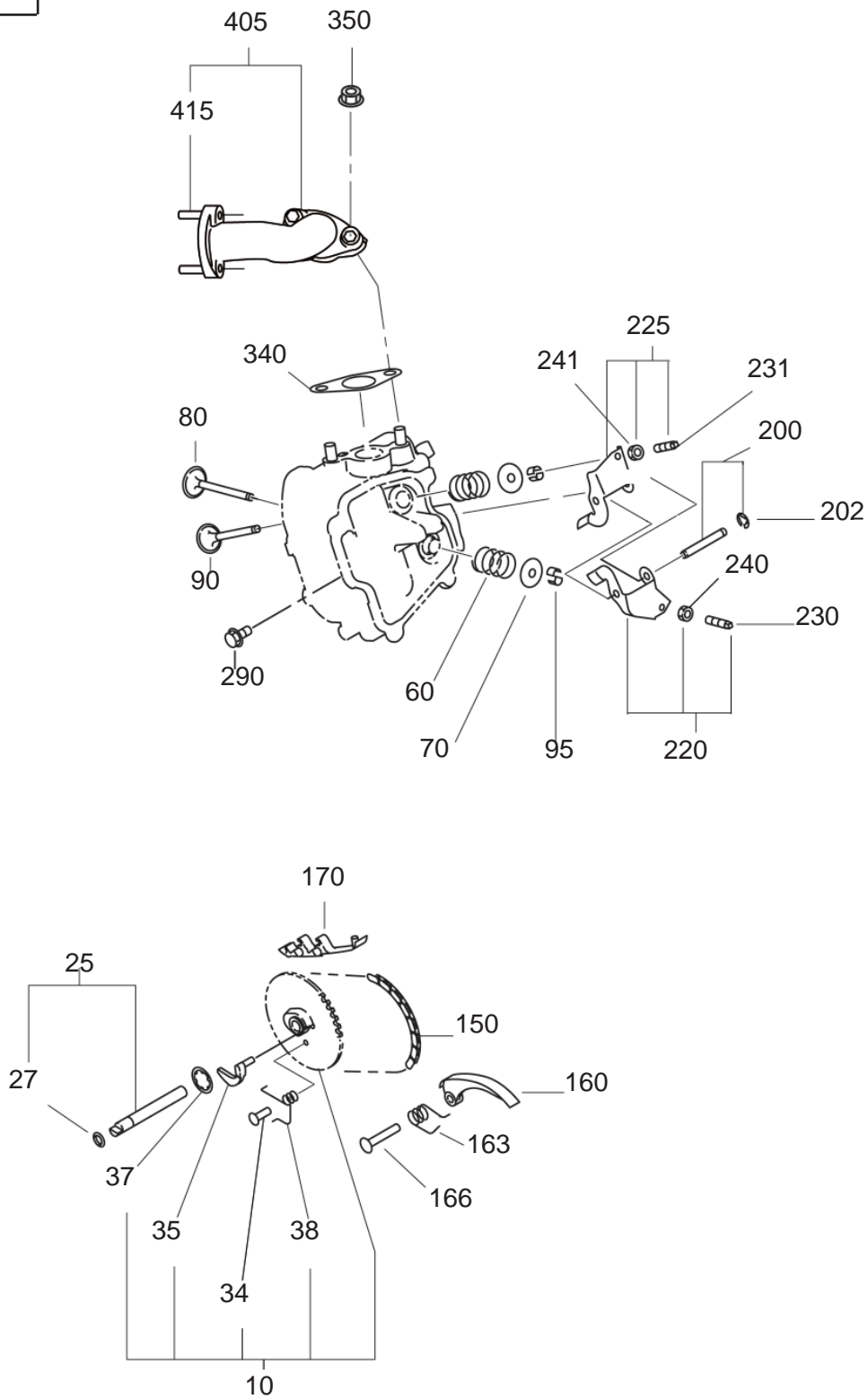
SECTION 2 CRANKSHAFT GROUP

FIG. 200



SECTION 3 INTAKE and EXHAUST GROUP

FIG. 300

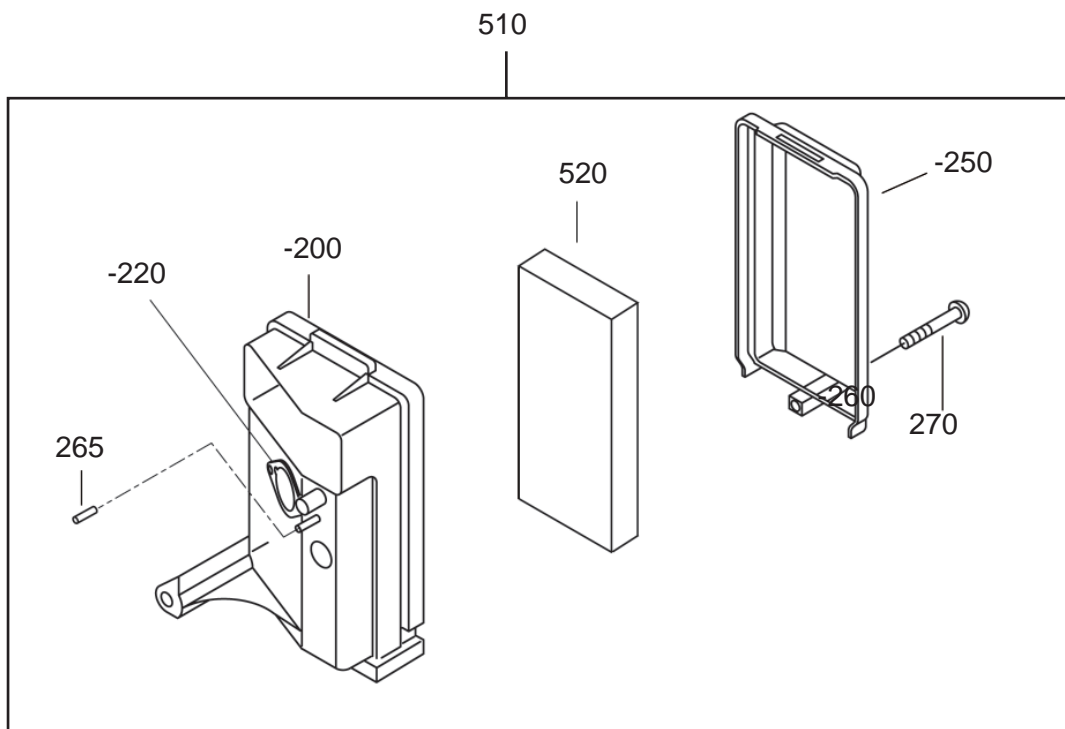
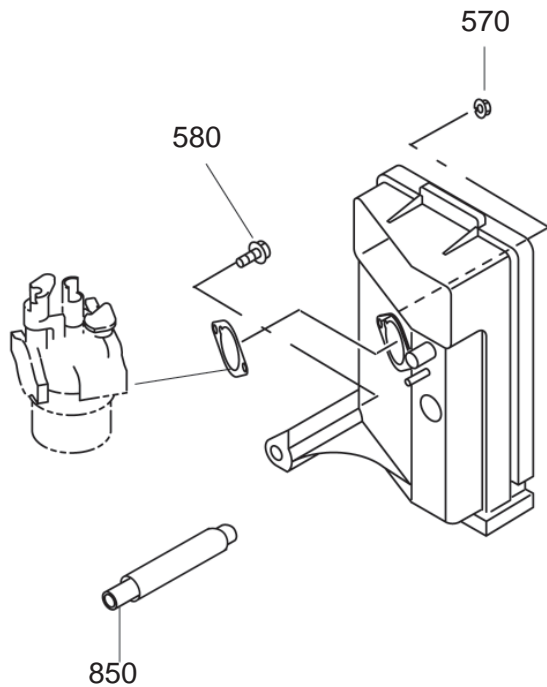


SECTION 3 INTAKE and EXHAUST GROUP

REF.	PART NO.	DESCRIPTION	QTY.	REMARKS	FROM-TO	FIG.
10	20B-31602-00	Camshaft Cp	1			300
25	20B-35101-11	Pin Cp, camshaft	1			300
27	024-00700-20	O Ring	1			300
34	005-19041-00	Spring Pin	2			300
35	277-36401-03	Release Lever	1			300
37	20B-36501-03	Clip	1			300
38	20B-38701-03	Return Spring	1			300
60	246-33611-03	Valve Spring	2			300
70	246-33711-13	Spring Retainer	2			300
80	20B-33401-H3	Intake Valve	1			300
90	20B-33501-H3	Exhaust Valve	1			300
95	246-35501-03	Collet Valve	4			300
150	20B-35601-H1	Timing Chain Cp	1			300
160	277-36911-03	Tentioner	1			300
163	277-37101-03	Spring, tentioner	1			300
166	277-36902-03	Pin, tentioner	1			300
170	277-36913-13	Chain Guide	1			300
200	20B-35001-01	Pin Cp, rocker	1			300
202	003-13060-00	Clip	1			300
220	20B-36101-00	Rocker Arm Ay, intake	1			300
225	20B-36102-10	Rocker Arm Ay, exhaust	1			300
230	014-90500-20	Adjust Screw	1			300
231	014-90500-20	Adjust Screw	1			300
240	017-00500-30	Nut	1			300
241	017-00500-30	Nut	1			300
290	011-00600-10	Flange Bolt	1			300
340	20B-35201-03	Gasket, muffler	1			300
350	980-20082-80	Flange Nut	2			300
405	20B-34001-01	Exhaust Pipe Cp	1			300
415	010-50802-90	Stud	2			300

SECTION 3 INTAKE and EXHAUST GROUP

FIG. 330

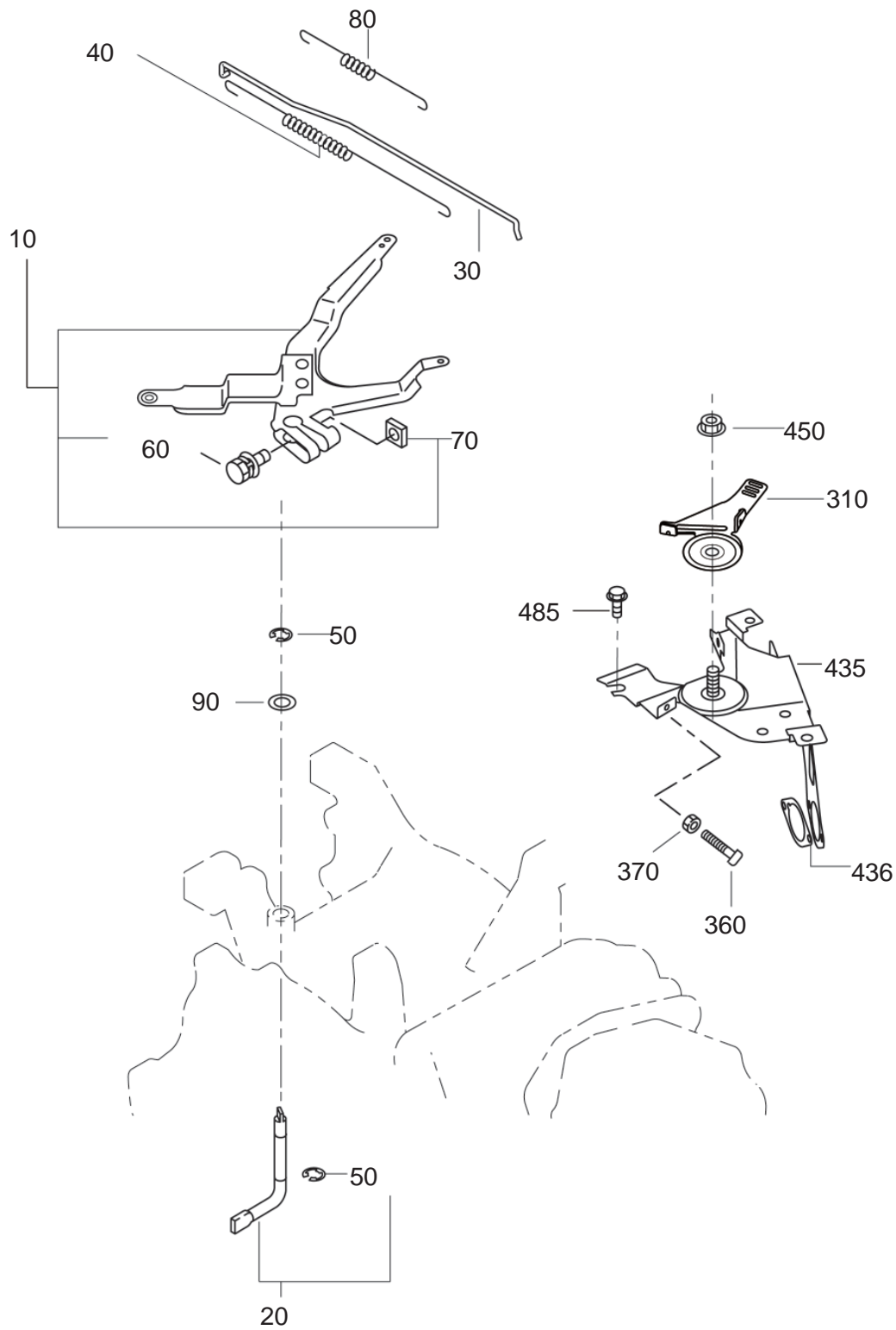


SECTION 3 INTAKE and EXHAUST GROUP

REF.	PART NO.	DESCRIPTION	QTY.	REMARKS	FROM-TO	FIG.
265	20B-32850-H8	Cap	1			330
270	20B-32650-H8	Bolt	1			330
510	20B-32622-H0	Air Cleaner Ay	1			330
-200	20B-32630-H8	Body Cp	1			330
-220	20B-32720-H8	Packing	1			330
-250	20B-32640-H8	Cover Cp	1			330
520	20B-32611-H8	Element	1			330
570	002-38060-00	Flange Nut	2			330
580	001-04061-60	Flange Bolt	1			330
850	X85-11001-70	Rubber Pipe	1			330

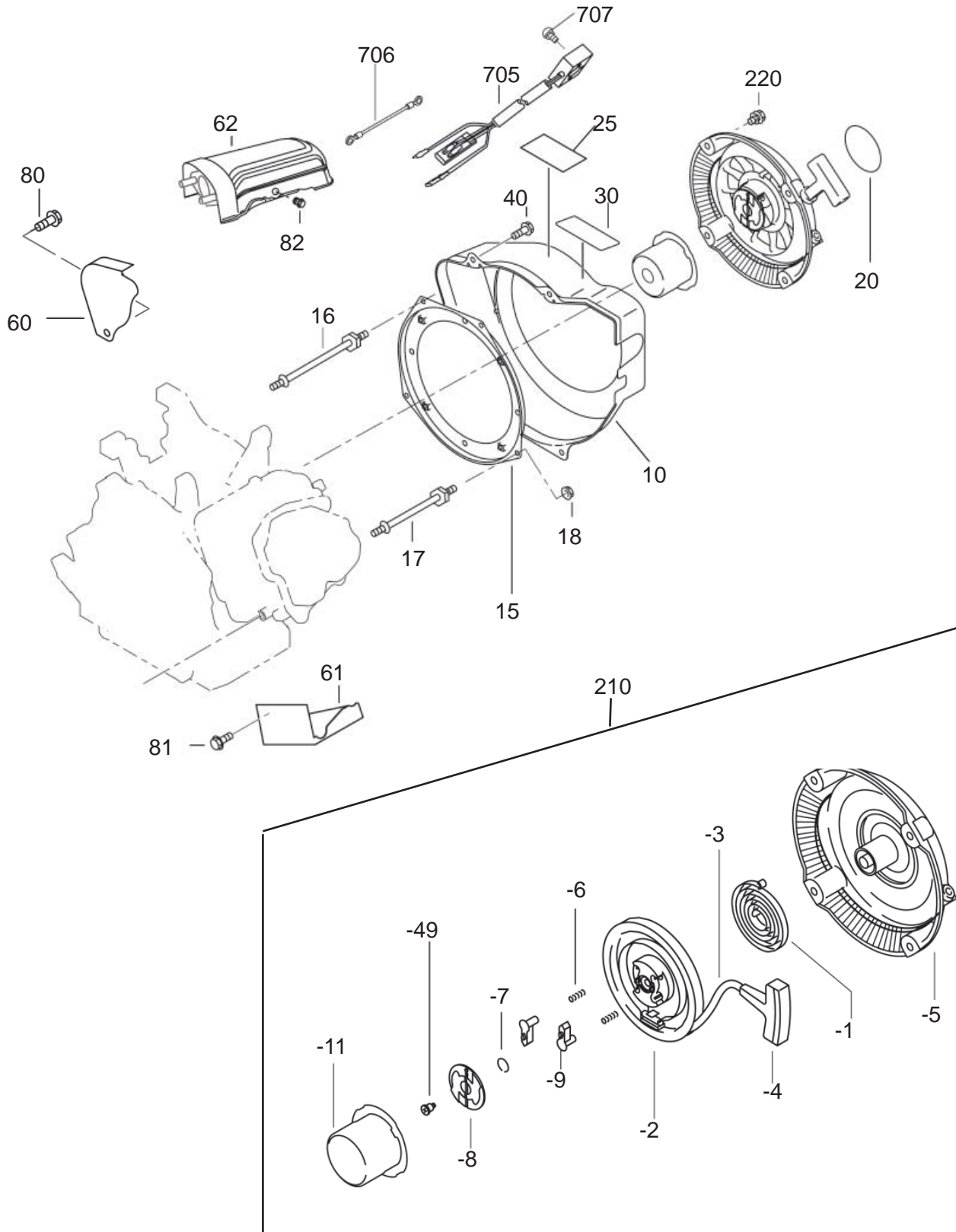
SECTION 4 GOVERNOR GROUP

FIG. 400



SECTION 5 COOLING and STARTING GROUP

FIG. 500

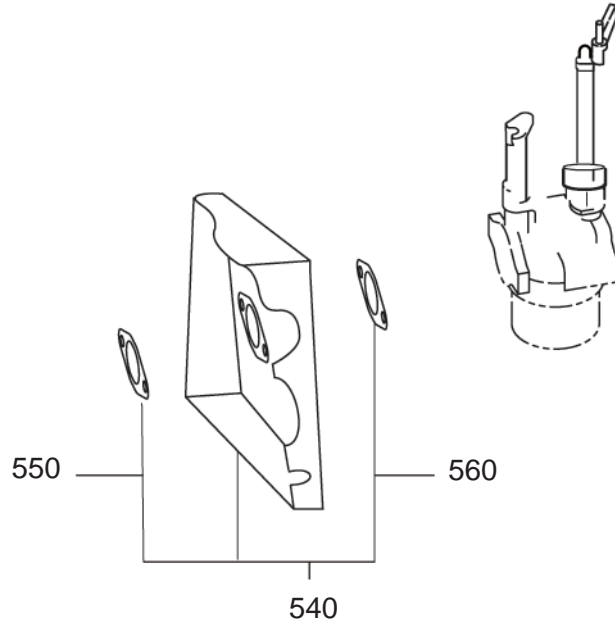


SECTION 5 COOLING and STARTING GROUP

REF.	PART NO.	DESCRIPTION	QTY.	REMARKS	FROM-TO	FIG.
10	20B-51201-H1	Blower Housing Cp	1			500
15	20B-55101-02	Recoil Bracket Un	1			500
16	010-00804-40	Bolt	2			500
17	010-00804-50	Bolt	2			500
18	002-38060-00	Flange Nut	4			500
20	073-20054-70	Label, trademark	1			500
25	073-20055-70	Label, caution	1			500
30	073-20051-81	Label, warning	1			500
40	001-04061-60	Flange Bolt	5			500
60	279-52711-11	Baffle 1 Cp, case	1			500
61	20B-52702-H1	Baffle 2 Cp, head	1			500
62	20B-55001-03	Duct, case	1			500
80	001-65081-20	Bolt	1			500
81	011-00600-20	Flange Bolt	3			500
82	011-00600-20	Flange Bolt	3			500
210	20B-50301-00	Recoil Starter Ay	1			500
-1	277-50155-08	Spiral Spring	1			500
-2	20B-50120-08	Reel	1			500
-3	20B-50110-08	Starter Rope	1			500
-4	261-50100-08	Starter Knob	1			500
-5	20B-50150-08	Starter Case Cp	1			500
-6	227-50135-08	Return Spring	2			500
-7	227-50131-08	Friction Spring	1			500
-8	161-50150-08	Ratchet Guide	1			500
-9	161-50125-08	Ratchet	2			500
-11	20B-50145-08	Starter Pulley	1			500
-49	20B-50101-08	Set Screw	1			500
220	013-00602-81	Bolt and Washer Ay	4			500
705	KU3-11076-01	Float C/U Cp10	1			500
706	20B-73102-01	Wire 2 Cp	1			500
707	004-36041-20	Screw and Washer Ay	2			500

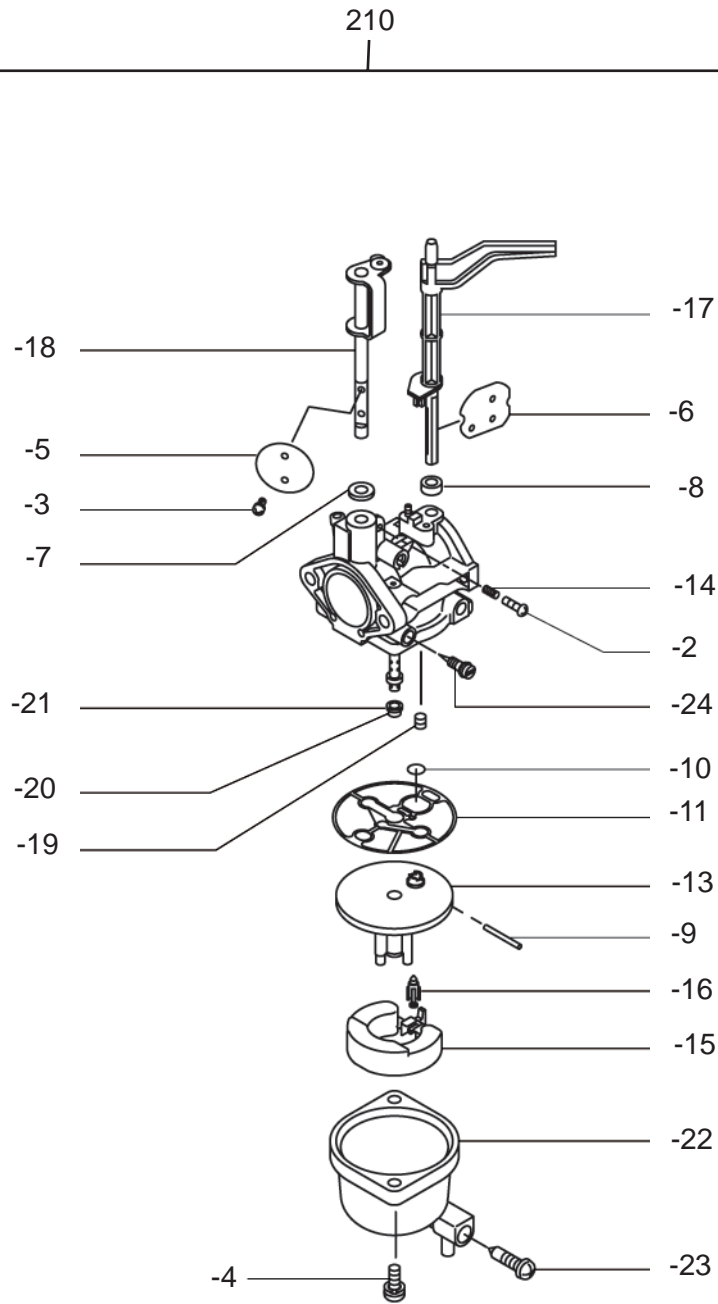
SECTION 6 FUEL, LUBRICATION GROUP

FIG. 600



SECTION 6 FUEL, LUBRICATION GROUP

FIG. 640

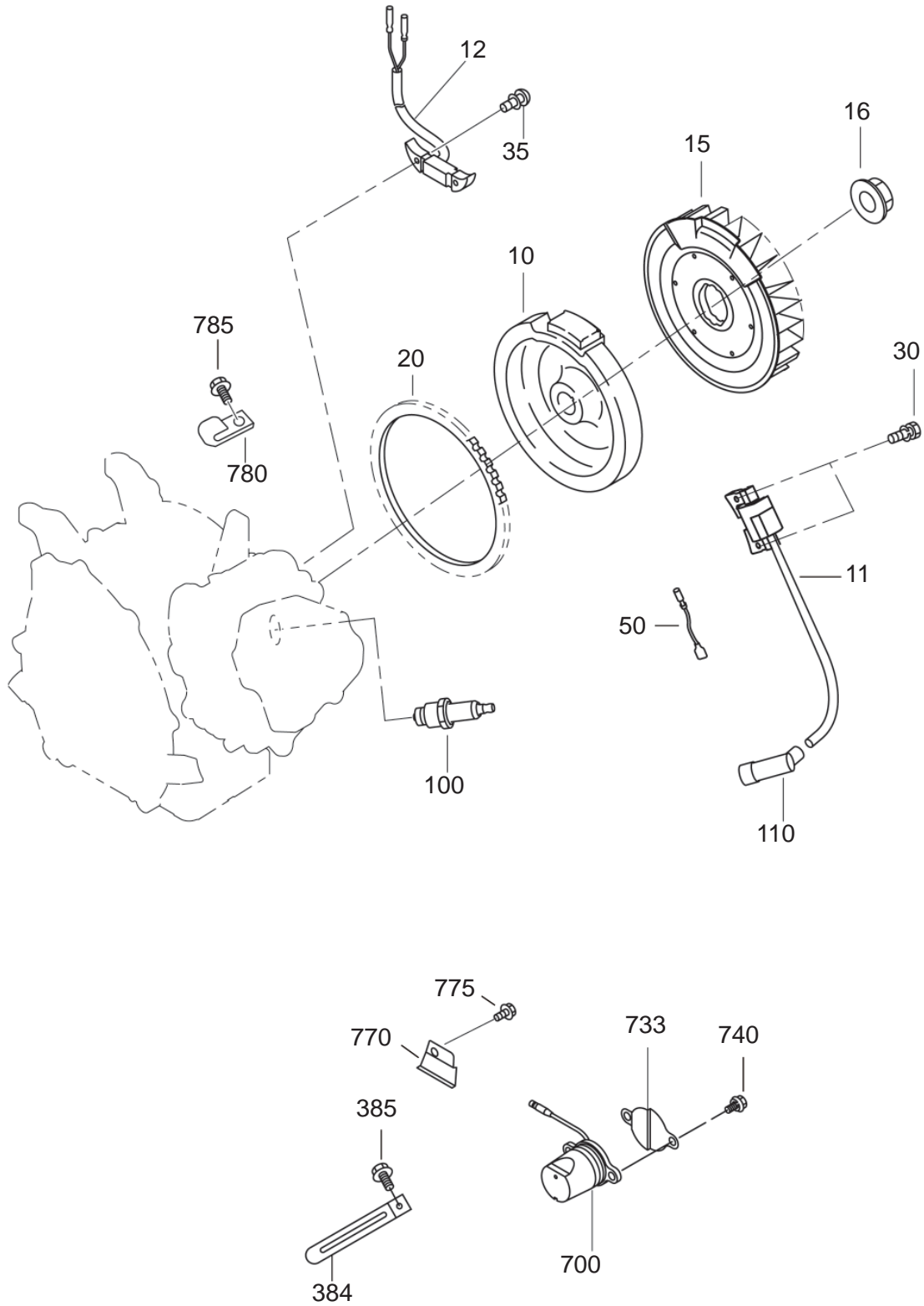


SECTION 6 FUEL, LUBRICATION GROUP

REF.	PART NO.	DESCRIPTION	QTY.	REMARKS	FROM-TO	FIG.
210	20B-32901-J1	Carburetor Ay	1			640
-2	20B-35901-H3	Screw, throttle adjust	1			640
-3	20B-35902-H3	Screw, valve set	2			640
-4	20B-62453-08	Screw	2			640
-5	20B-62535-08	Throttle Valve	1			640
-6	20B-62526-08	Choke Valve	1			640
-7	226-62580-08	Air Filter	1			640
-8	258-62554-08	Filter, choke shaft	1			640
-9	263-62515-08	Pin, float	1			640
-10	20B-62541-08	O ring	1			640
-11	20B-62540-08	Spacer	1			640
-13	20B-62520-08	Spacer	1			640
-14	20B-62445-08	Spring, throttle adjust	1			640
-15	20B-62505-08	Float Ay	1			640
-16	20B-62500-08	Valve Ay, float	1			640
-17	20B-62527-18	Choke Shaft	1			640
-18	20B-62530-08	Throttle Shaft Ay	1			640
-19	20B-62422-08	Slow Jet	1			640
-20	20B-62403-08	Main Jet	1			640
-21	20B-62542-08	O ring	1			640
-22	20B-62550-08	Chamber Cp, float	1			640
-23	20B-62354-08	Screw, drain	1			640
-24	20B-62357-08	Needle Cp, idle adjust	1			640

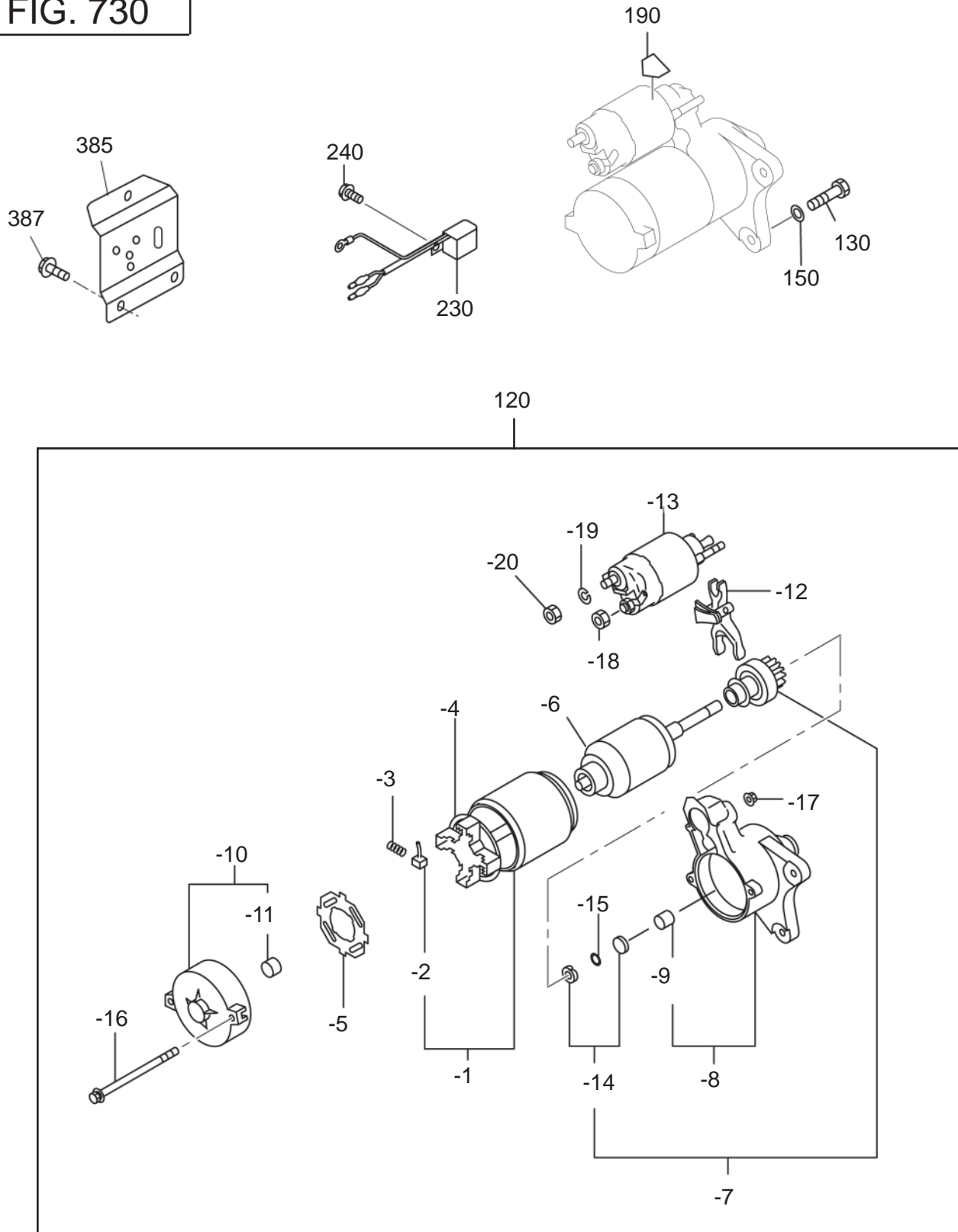
SECTION 7 ELECTRIC DEVICE GROUP

FIG. 700



SECTION 7 ELECTRIC DEVICE GROUP

FIG. 730

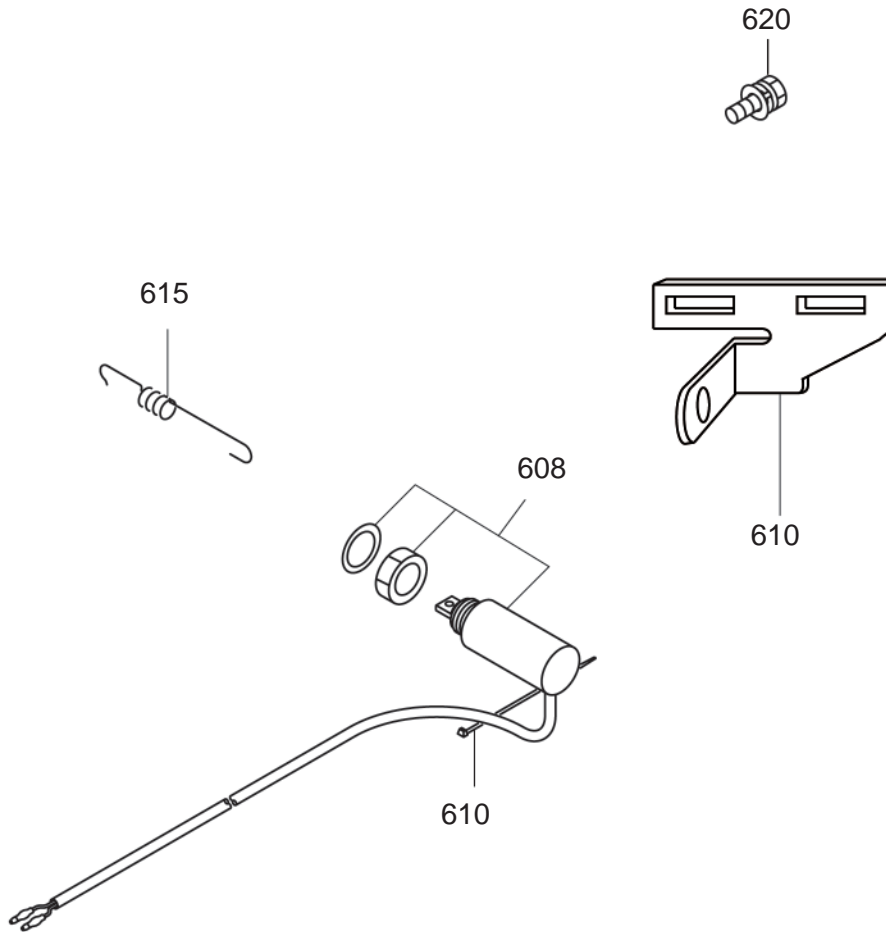


SECTION 7 ELECTRIC DEVICE GROUP

REF.	PART NO.	DESCRIPTION	QTY.	REMARKS	FROM-TO	FIG.
120	279-70502-00	Starting Motor Ay	1			730
-1	209-70550-08	Yoke Cp	1			730
-2	209-70551-08	Brush	4			730
-3	209-70545-08	Brush Spring	4			730
-4	209-70530-08	Brush Holder	1			730
-5	209-70552-08	Insulator	1			730
-6	209-70554-08	Armature Ay	1			730
-7	209-70521-08	Over Running Clutch Cp	1			730
-8	279-70550-08	Housing Cp	1			730
-9	209-70511-08	Bush	1			730
-10	209-70505-18	Frame Cp	1			730
-11	209-70510-08	Bush	1			730
-12	209-70525-08	Lever	1			730
-13	279-70515-18	Magnet Switch Cp	1			730
-14	234-70555-08	Pinion Stopper	1			730
-15	209-70557-18	Snap Ring	1			730
-16	209-70558-08	Through Bolt	2			730
-17	949-29970-02	Nut	2			730
-18	209-70560-08	Nut	1			730
-19	107-70652-08	Spring Washer	1			730
-20	211-70584-08	Nut	1			730
130	214-79007-01	Bolt, starter	2			730
150	003-10080-00	Washer	2			730
190	073-20044-80	Label, battery	1			730
385	20B-76511-01	Bracket Cp, sel	1			730
230	277-71401-01	Diode Rectifier Cp	1			730
240	004-35061-00	Screw and Washer Ay	1			730
387	011-00600-20	Flange Bolt	3			730

SECTION 7 ELECTRIC DEVICE GROUP

FIG. 740

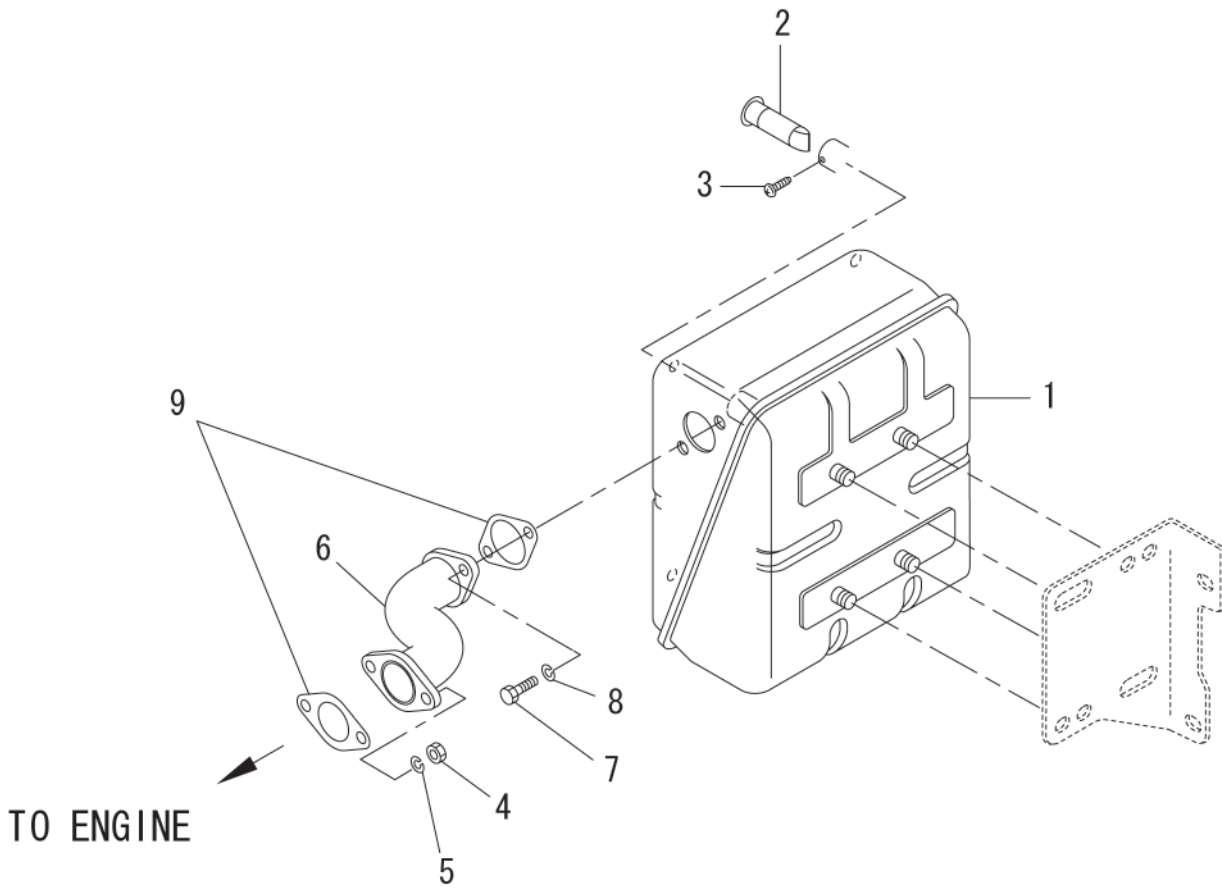


SECTION 7 ELECTRIC DEVICE GROUP

Table with 7 columns: REF., PART NO., DESCRIPTION, QTY., REMARKS, FROM-TO, FIG. Rows include items like Bracket Cp, solenoid, Solenoid Ay, Wire Band, Spring, solenoid, Bolt and Washer Ay.

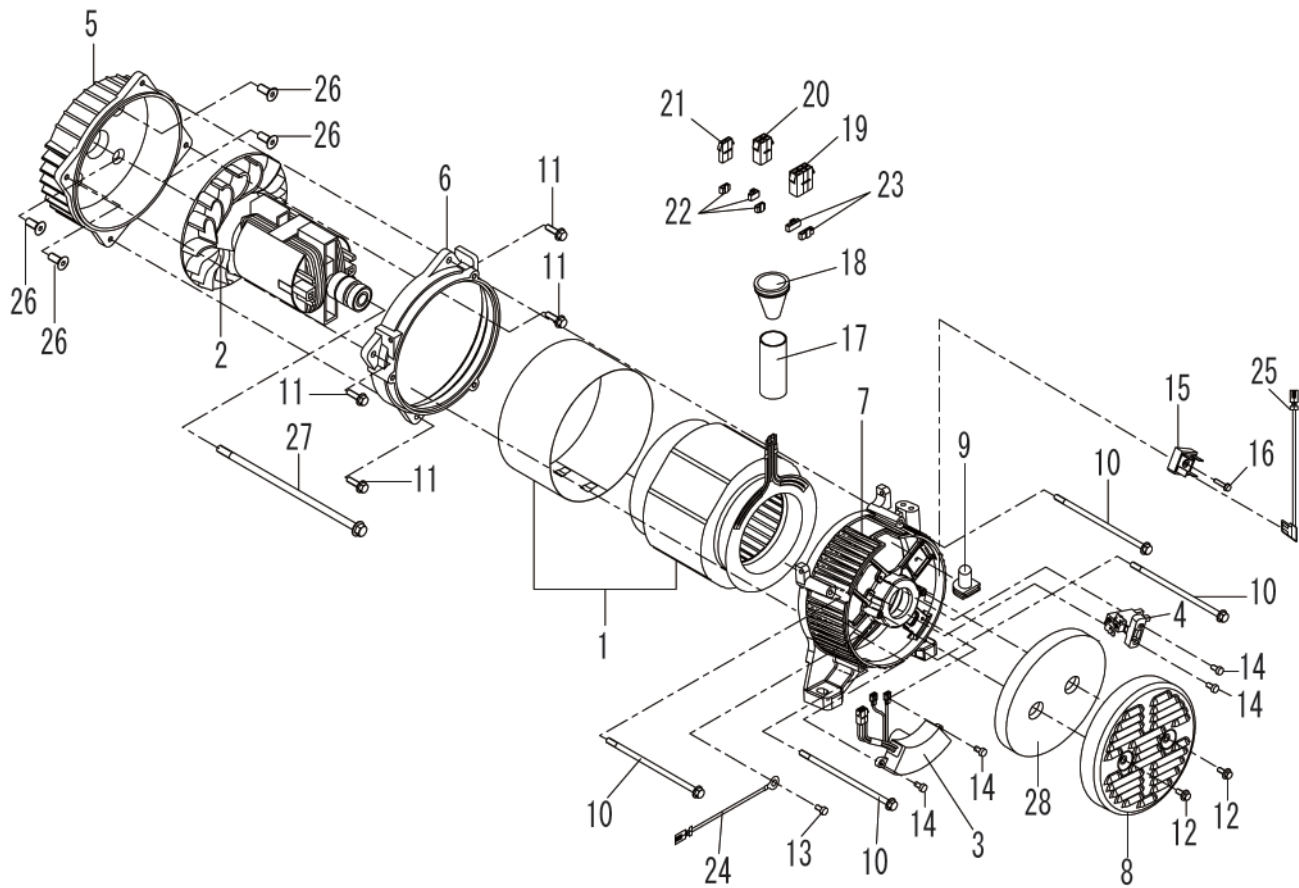
SECTION 21 ENGINE GROUP

FIG. 2130



SECTION 22 GENERATOR GROUP

FIG. 2200

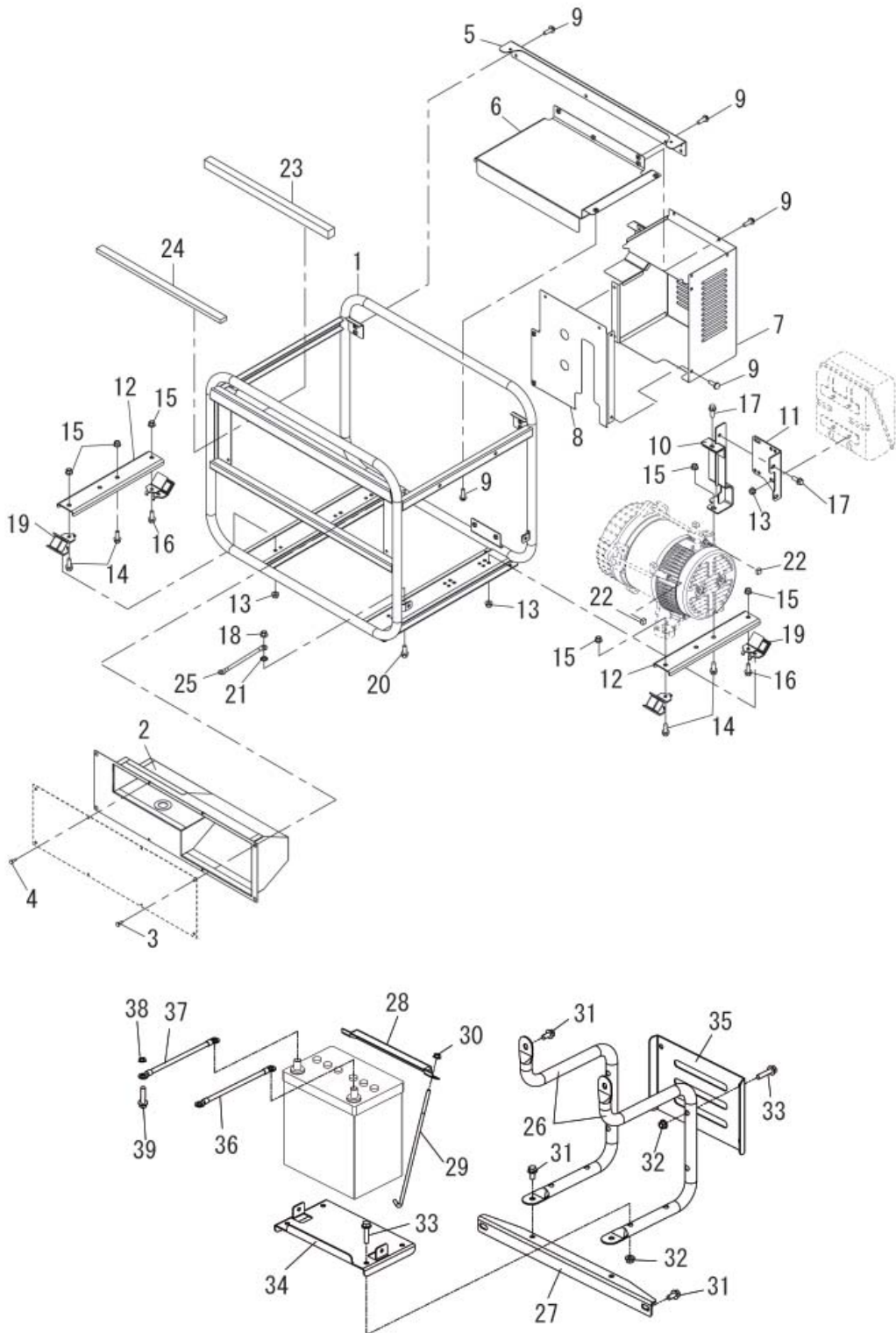


SECTION 22 GENERATOR GROUP

REF.	PART NO.	DESCRIPTION	QTY.	REMARKS	FROM-TO	FIG.
1	36E-20002-08	Stator Cp	1			2200
2	36E-20102-08	Rotor Cp	1			2200
3	36E-20202-08	AVR Cp	1			2200
4	36A-20300-08	Brush Cp	1			2200
5	36A-22000-08	Gen Bracket 1	1			2200
6	36A-22100-08	Gen Bracket N	1			2200
7	36C-22200-08	Gen Bracket 2	1			2200
8	36C-23000-08	Bracket Cover	1			2200
9	36A-25000-08	Bushing	1			2200
10	36E-21001-08	Stator Bolt	4			2200
11	36A-80005-08	Flange Bolt	4			2200
12	36A-80001-08	Flange Bolt	2			2200
13	36A-80100-08	Screw and Washer Ay	1			2200
14	36A-80002-08	Flange Bolt	4			2200
15	36A-25001-08	Diode Cp	1			2200
16	36A-80101-08	Screw and Washer Ay	1			2200
17	36C-25002-08	Tube	1			2200
18	36A-25003-08	Grommet	1			2200
19	36A-70000-08	Connector	1	6 P		2200
20	36A-70004-08	Connector	1	4 P		2200
21	36A-70002-08	Connector	1	2 P		2200
22	36A-70101-08	Retainer	1	2 P		2200
23	36A-70100-08	Retainer	3	3 P		2200
24	36A-71013-08	Wire	2	green		2200
25	36A-71001-08	Wire	1	white		2200
26	36A-80200-08	Screw	1			2200
27	36E-21101-08	Rotor Bolt	4			2200
28	36C-25004-08	Sponge, filter	1			2200
			1			2200

SECTION 23 BASE, FRAME GROUP

FIG. 2300

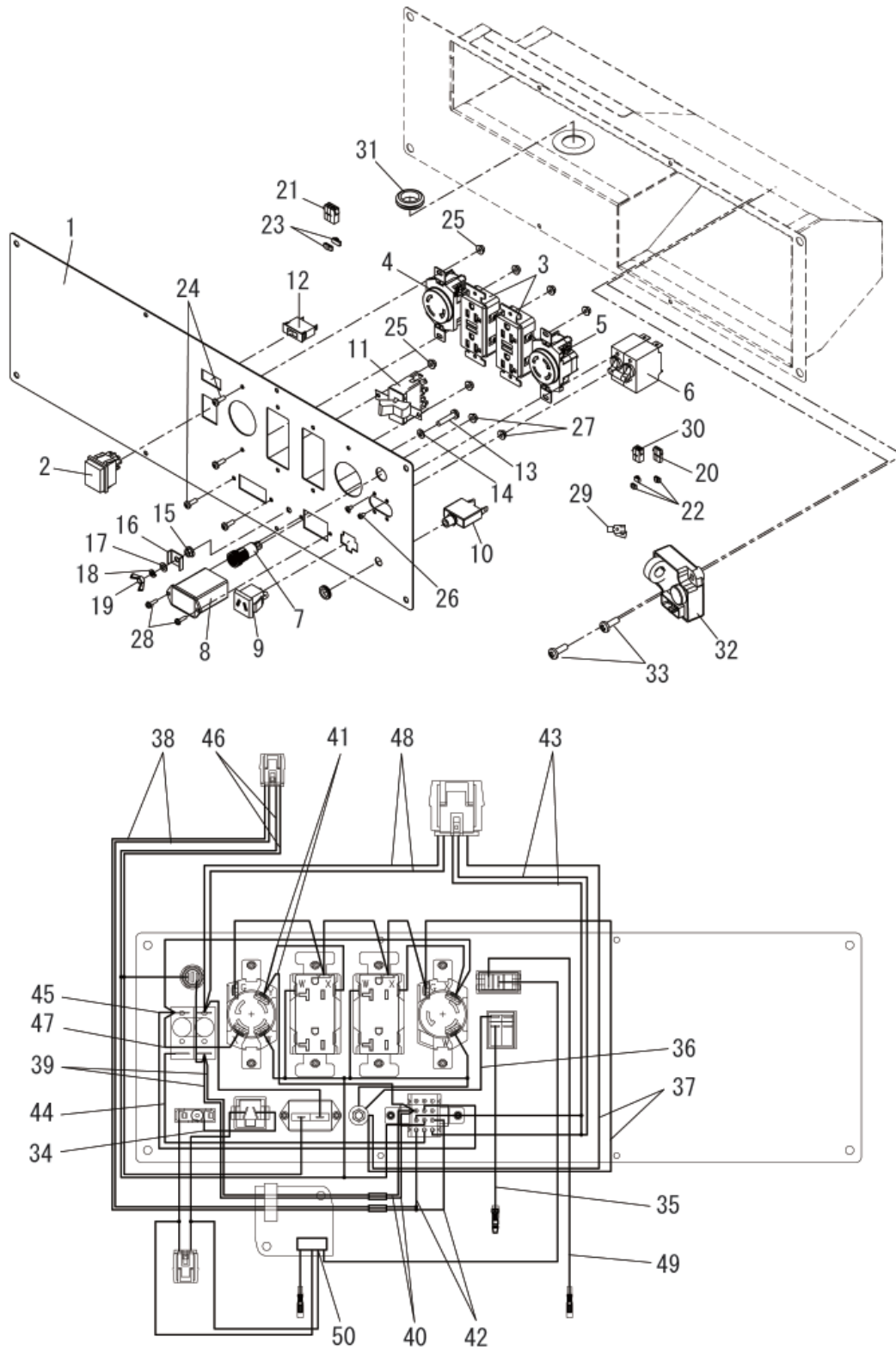


SECTION 23 BASE, FRAME GROUP

REF.	PART NO.	DESCRIPTION	QTY.	REMARKS	FROM-TO	FIG.
1	36D-30000-08	Pipe Frame Cp	1			2300
2	36C-40001-08	Control Box Cp	1			2300
3	36A-80104-08	Screw and Washer Ay	4			2300
4	36A-80105-08	Screw and Washer Ay	4			2300
5	36D-34000-08	Bracket Cp, tank	1			2300
6	36D-34100-08	Guide Plate Cp	1			2300
7	36D-32000-08	Muffler Cover Cp, rear	1			2300
8	36D-32100-08	Muffler Cover Cp, front	1			2300
9	36A-80300-08	Bolt and Washer Ay	21			2300
10	36D-32500-08	Muffler Bracket 1 Cp	1			2300
11	36D-32600-08	Muffler Bracket 2 Cp	1			2300
12	36D-33000-08	Mount Base Cp	2			2300
13	36A-81002-08	Flange Nut	8			2300
14	36A-80006-08	Flange Bolt	4			2300
15	36A-81003-08	Flange nut	6			2300
16	36A-80007-08	Flange Bolt	2			2300
17	36A-80008-08	Flange Bolt	3			2300
18	36A-81004-08	Flange Nut	1			2300
19	36D-37000-08	Mount Cp	4			2300
20	36A-80004-08	Flange Bolt	1			2300
21	36A-82001-08	Lock Washer	1			2300
22	36A-25005-08	Sponge, gen	2			2300
23	36D-35000-08	Sponge, tank	1			2300
24	36C-35001-08	Sponge, panel	1			2300
25	36A-71019-08	Wire, green/yellow	1			2300
26	36C-39001-08	Battery Frame 1 Cp	2	Electric Start		2300
27	36C-39002-08	Battery Frame 2 Cp	1	Electric Start		2300
28	36C-39003-08	Setting Plate Cp	1	Electric Start		2300
29	36C-39004-08	Setting Bolt	2	Electric Start		2300
30	36A-81004-08	Flange Nut	1	Electric Start		2300
31	36A-80009-08	Flange Bolt	6	Electric Start		2300
32	36A-81006-08	Flange Nut	8	Electric Start		2300
33	36A-80010-08	Flange Bolt	8	Electric Start		2300
34	36C-39005-08	Battery Plate Cp	1	Electric Start		2300
35	36C-39006-08	Protection Plate	1	Electric Start		2300
36	36C-39007-08	Starter Cable, red	1	Electric Start		2300
37	36C-39008-08	Earth Cable, black	1	Electric Start		2300
38	36A-81003-08	Flange Nut	1	Electric Start		2300
39	36A-80006-08	Flange Bolt	1	Electric Start		2300

SECTION 24 CONTROL GROUP - RECOIL

FIG.2400

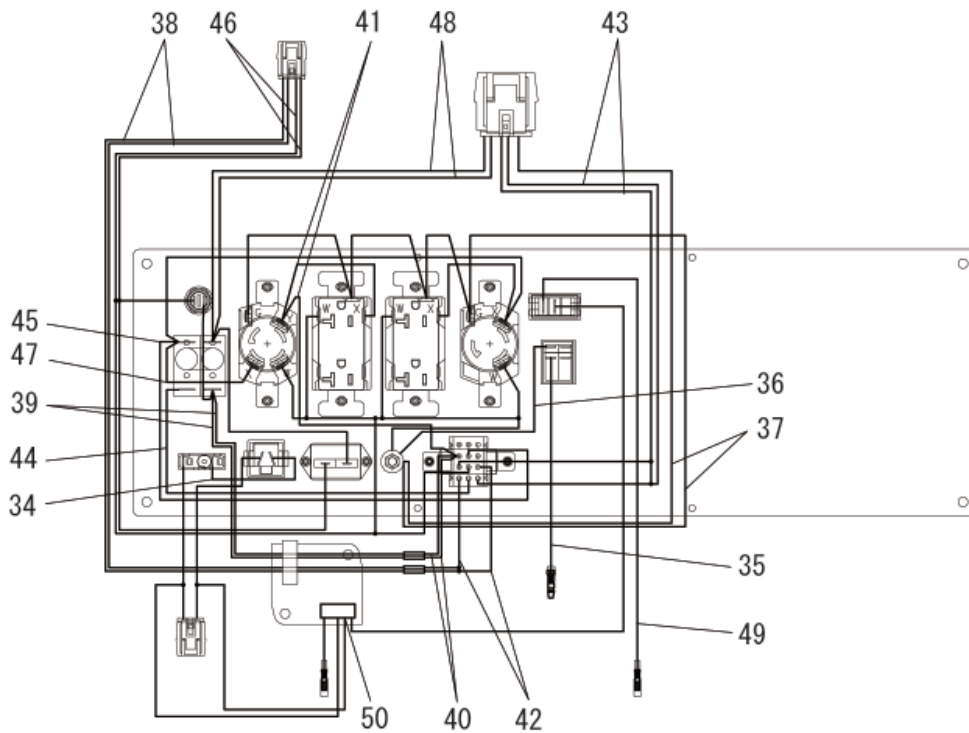
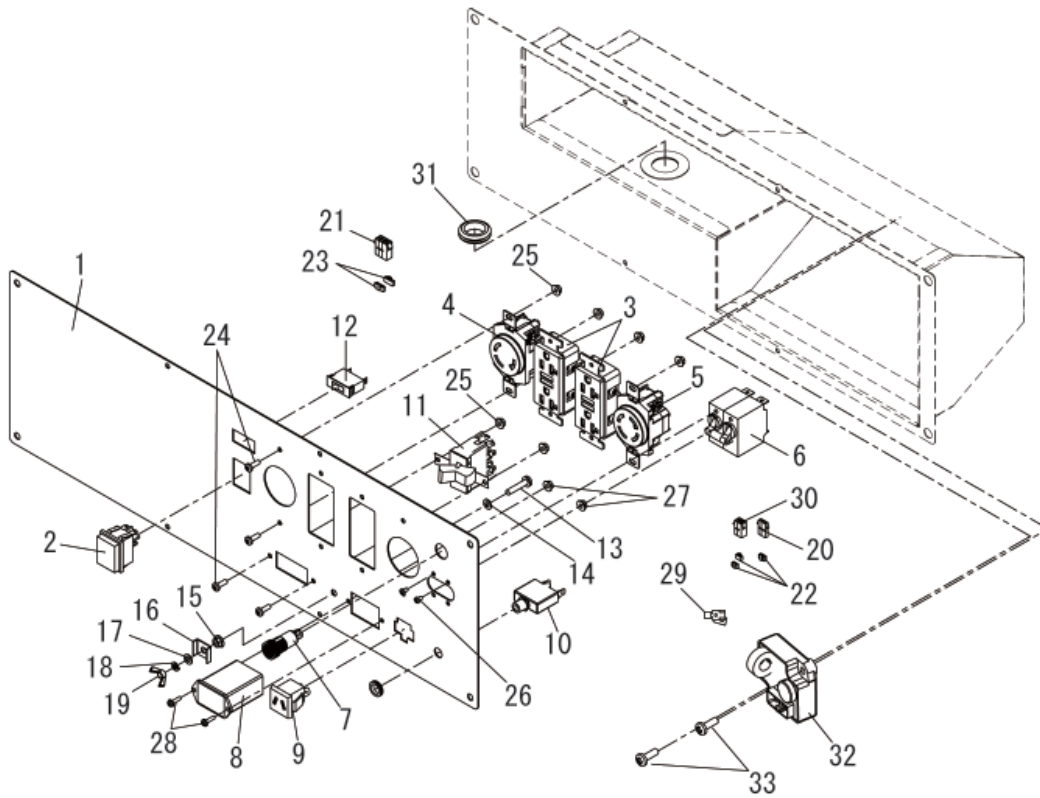


SECTION 24 CONTROL GROUP - RECOIL

REF.	PART NO.	DESCRIPTION	QTY.	REMARKS	FROM-TO	FIG.
1	36E-41002-08	Control Panel CP	1			2400
2	36A-49000-08	Switch, engine	1			2400
3	36A-47002-08	AC Concent	2	GFCI		2400
4	36B-47000-08	AC Concent	1	L5-30		2400
5	36B-47001-08	AC Concent	1	L14-30		2400
6	36E-48000-08	Circuit Breaker	1	28A		2400
7	36A-49003-08	Pilot Lamp	1			2400
8	36A-49002-08	Hour Meter	1			2400
9	36A-47101-08	DC Concent	1			2400
10	36A-48001-08	Circuit Breaker	1	10A		2400
11	36B-49000-08	Switch, v select	1			2400
12	36B-49001-08	Switch, i/c	1			2400
13	36A-80102-08	Screw and Washer Ay	1			2400
14	36A-82000-08	Lock Washer	1			2400
15	36A-81000-08	Flange Nut	1			2400
16	36A-82100-08	Cap Washer	1			2400
17	36A-82200-08	Washer	1			2400
18	36A-82300-08	Spring Washer	1			2400
19	36A-81100-08	Wing Nut	1			2400
20	36A-70003-08	Connector	1	2 P		2400
21	36A-70001-08	Connector	1	6 P		2400
22	36A-70101-08	Retainer	3	2 P		2400
23	36A-70100-08	Retainer	2	3 P		2400
24	36A-80202-08	Screw	10			2400
25	36A-81001-08	Flange Nut	10			2400
26	36A-80103-08	Screw and Washer Ay	4			2400
27	36A-81005-08	Flange Nut	2			2400
28	36A-80203-08	Screw	2			2400
29	36A-70300-08	Terminal	1			2400
30	36A-70007-08	Connector	1	4 P		2400
31	36C-49900-08	Grommet	1			2400
32	KU3-11015-01	Idle C/U Cp	1	150V		2400
33	36A-80204-08	Screw	2			2400
34	36A-71003-08	Wire	1	white		2400
35	36A-71006-08	Wire	1	black		2400
36	36A-71036-08	Wire	1	green		2400
37	36A-71037-08	Wire	1	green		2400
38	36A-71029-08	Wire	2	orange		2400
39	36A-71038-08	Wire	1	red		2400
40	36A-71039-08	Wire	1	red		2400
41	36A-71040-08	Wire	1	red		2400
42	36A-71041-08	Wire	1	orange		2400
43	36A-71042-08	Wire	1	blue		2400
44	36A-71043-08	Wire	1	blue		2400
45	36A-71044-08	Wire	1	blue		2400
46	36A-71045-08	Wire	1	gray		2400
47	36A-71046-08	Wire	1	blue		2400

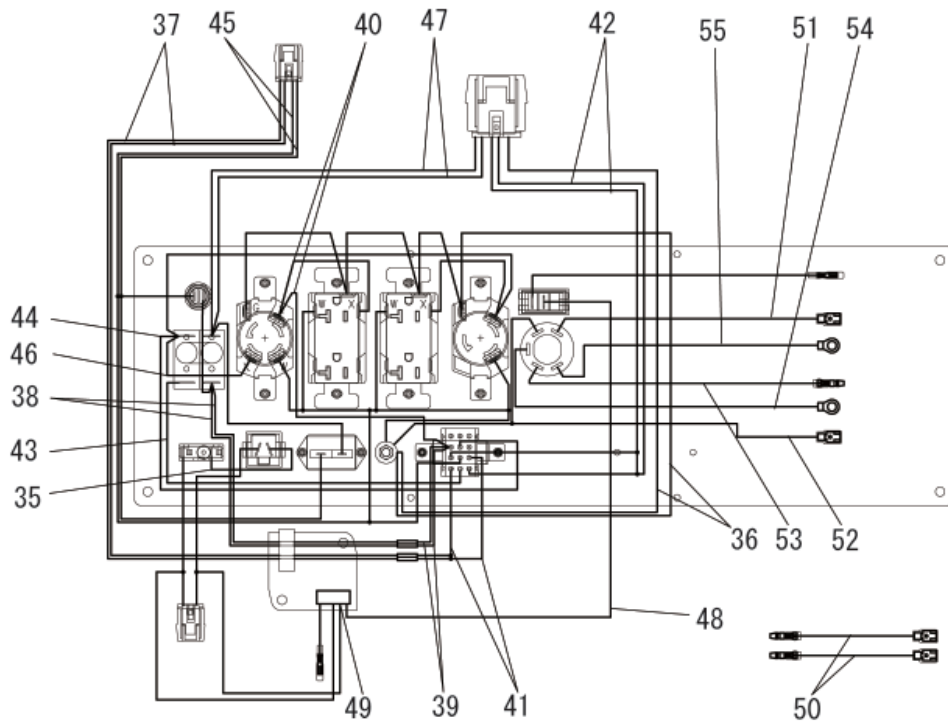
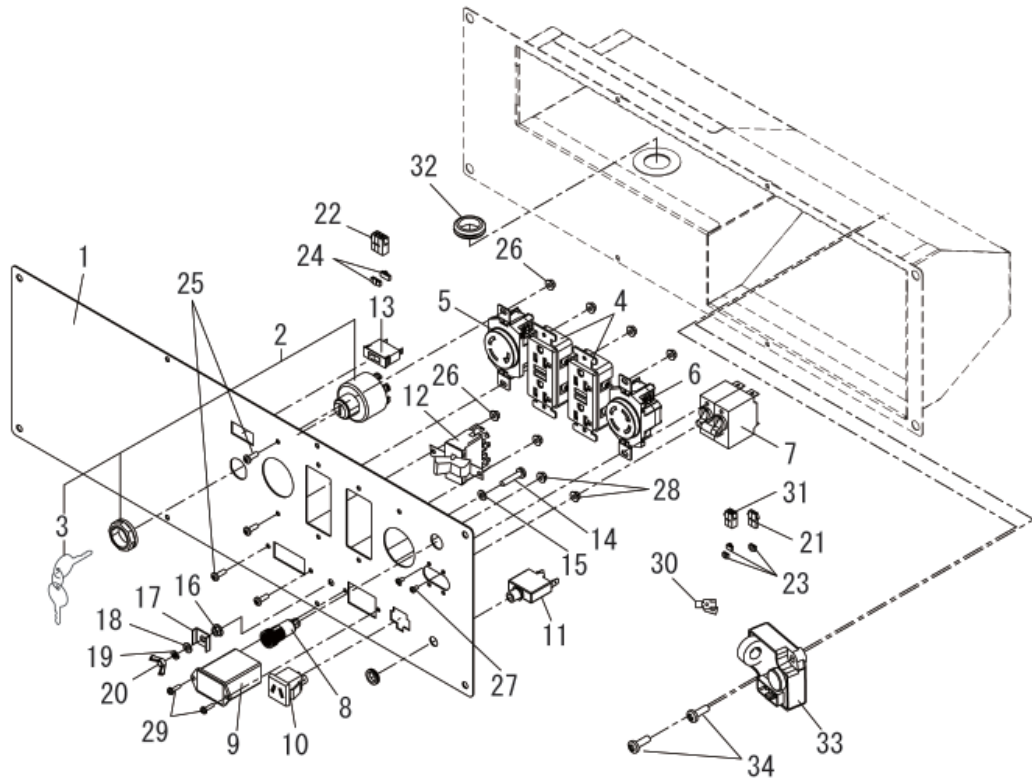
SECTION 24 CONTROL GROUP - RECOIL

FIG.2400



SECTION 24 CONTROL GROUP - ELECTRIC START

FIG.2400

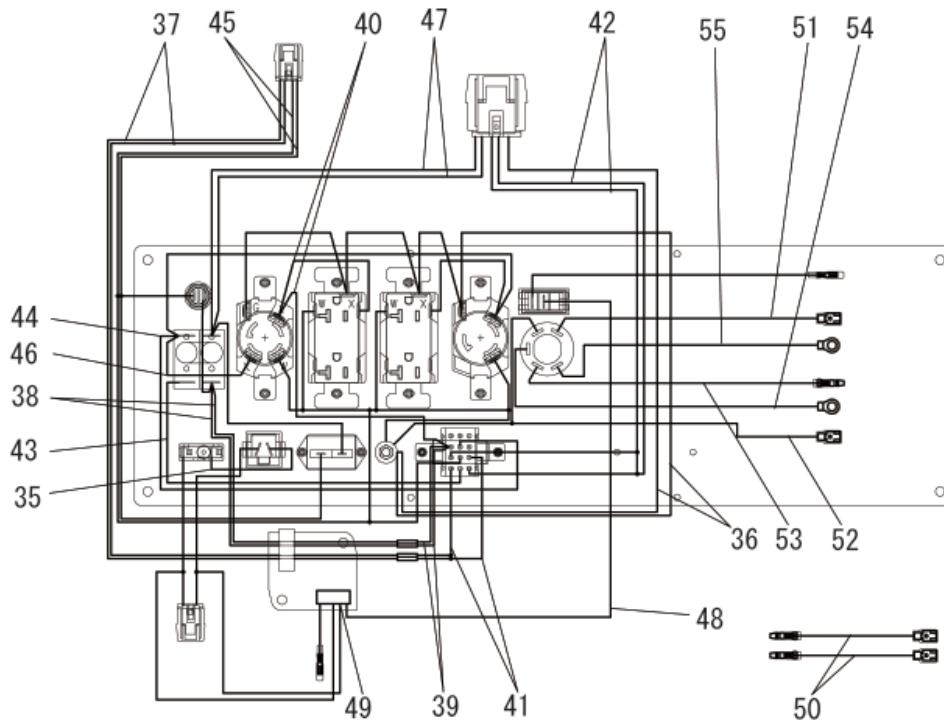
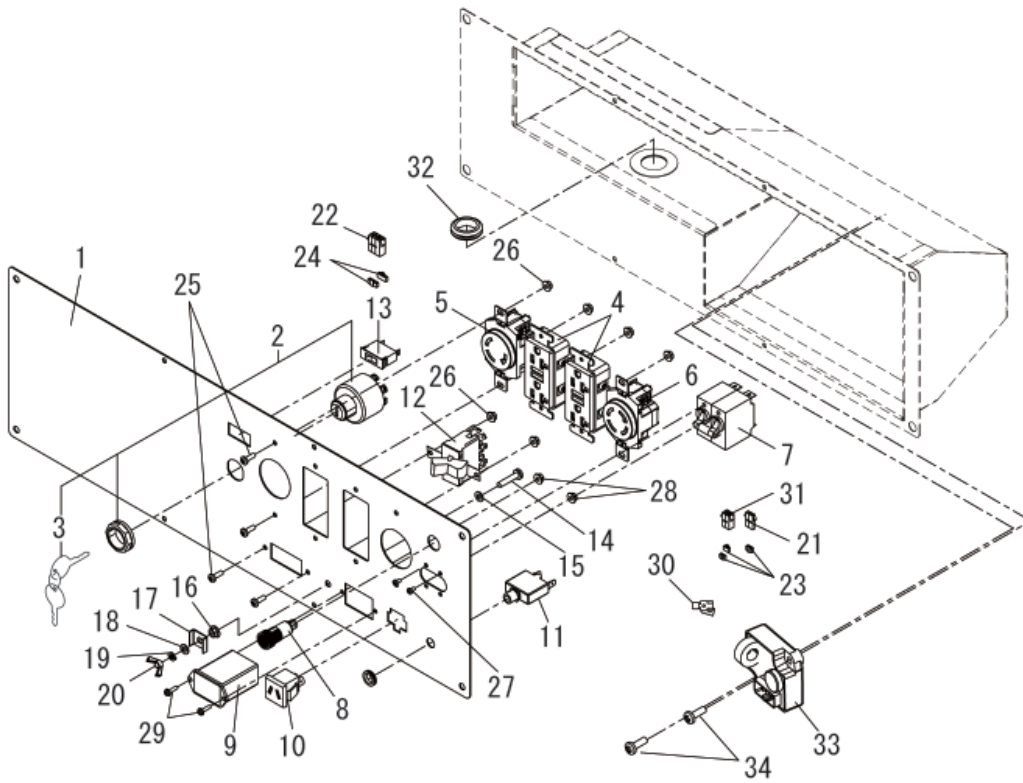


SECTION 24 CONTROL GROUP - ELECTRIC START

REF.	PART NO.	DESCRIPTION	QTY.	REMARKS	FROM-TO	FIG.
1	36E-41003-08	Control Panel Cp	1			2400
2	066-00003-30	Switch, engine	1			2400
3	066-00099-80	Key, switch	2			2400
4	36A-47002-08	AC Concent	2	GFCI		2400
5	36B-47000-08	AC Concent	1	L5-30		2400
6	36B-47001-08	AC Concent	1	L14-30		2400
7	36E-48000-08	Circuit Breaker	1	28A		2400
8	36A-49003-08	Pilot Lamp	1			2400
9	36A-49002-08	Hour Meter	1			2400
10	36A-47101-08	DC Concent	1			2400
11	36A-48001-08	Circuit Breaker	1	10A		2400
12	36B-49000-08	Switch, v select	1			2400
13	36B-49001-08	Switch, i/c	1			2400
14	36A-80102-08	Screw and Washer Ay	1			2400
15	36A-82000-08	Lock Washer	1			2400
16	36A-81000-08	Flange Nut	1			2400
17	36A-82100-08	Cap Washer	1			2400
18	36A-82200-08	Washer	1			2400
19	36A-82300-08	Spring Washer	1			2400
20	36A-81100-08	Wing Nut	1			2400
21	36A-70003-08	Connector	1	2 P		2400
22	36A-70001-08	Connector	1	6 P		2400
23	36A-70101-08	Retainer	3	2 P		2400
24	36A-70100-08	Retainer	2	3 P		2400
25	36A-80202-08	Screw	10			2400
26	36A-81001-08	Flange Nut	10			2400
27	36A-80103-08	Screw and Washer Ay	4			2400
28	36A-81005-08	Flange Nut	2			2400
29	36A-80203-08	Screw	2			2400
30	36A-70300-08	Terminal	1			2400
31	36A-70007-08	Connector	1	4 P		2400
32	36C-49900-08	Grommet	1			2400
33	KU3-11015-01	Idle C/U CP	1	150V		2400
34	36A-80204-08	Screw	2			2400
35	36A-71003-08	Wire	1	white		2400
36	36A-71037-08	Wire	1	green		2400
37	36A-71029-08	Wire	2	orange		2400
38	36A-71038-08	Wire	1	red		2400
39	36A-71039-08	Wire	1	red		2400
40	36A-71040-08	Wire	1	red		2400
41	36A-71041-08	Wire	1	orange		2400
42	36A-71042-08	Wire	1	blue		2400
43	36A-71043-08	Wire	1	blue		2400
44	36A-71044-08	Wire	1	blue		2400
45	36A-71045-08	Wire	1	gray		2400
46	36A-71046-08	Wire	1	blue		2400

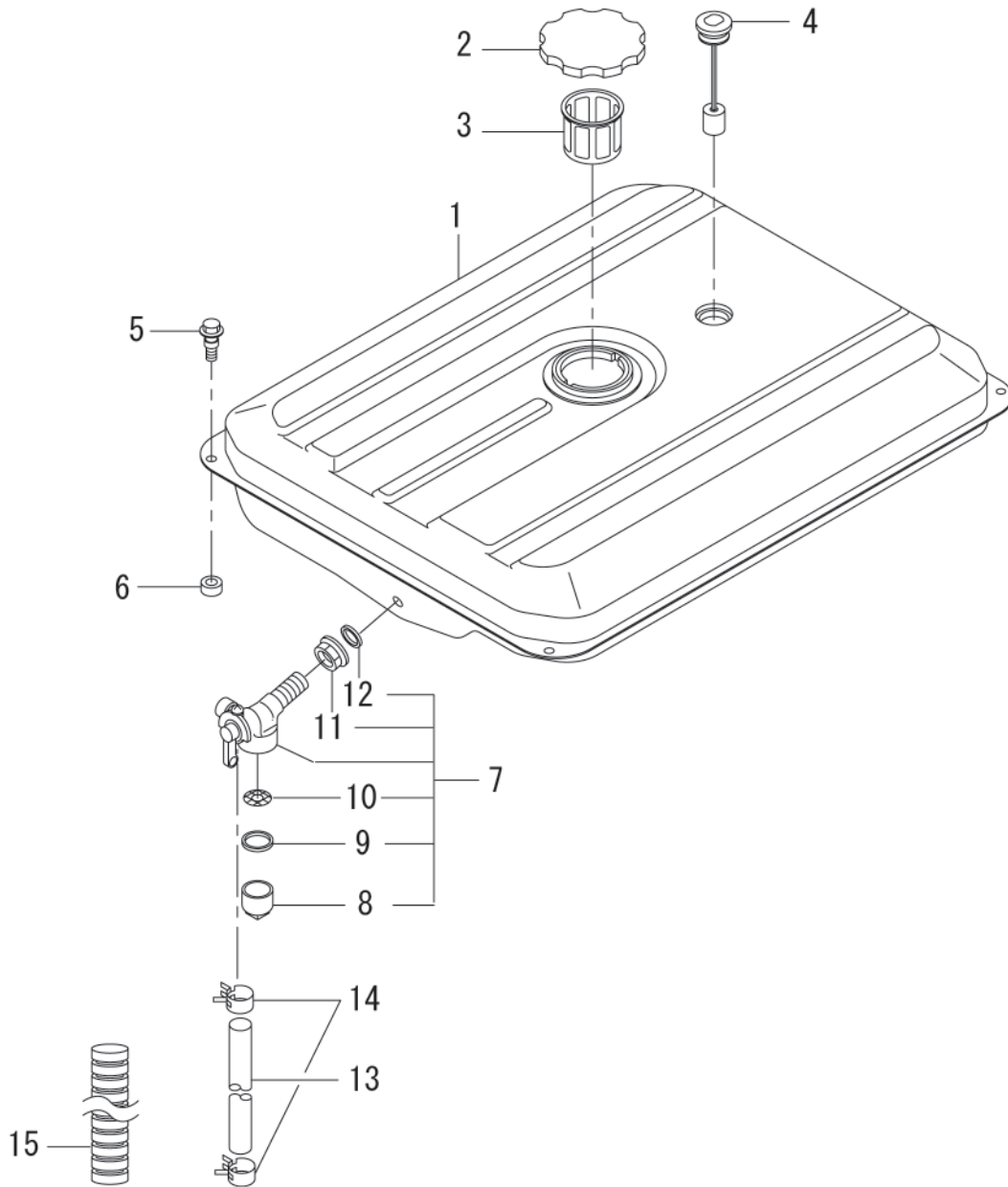
SECTION 24 CONTROL GROUP - ELECTRIC START

FIG.2400



SECTION 26 FUEL TANK GROUP

FIG.2600

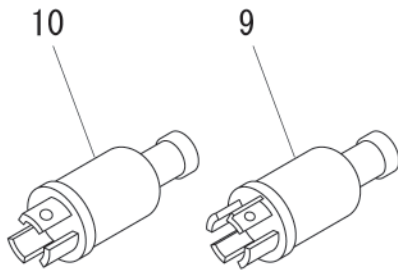
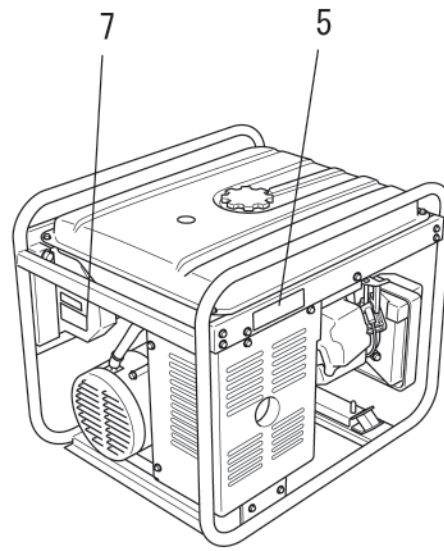
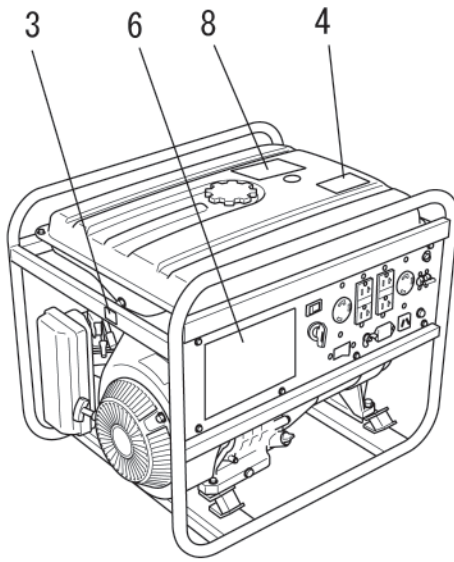
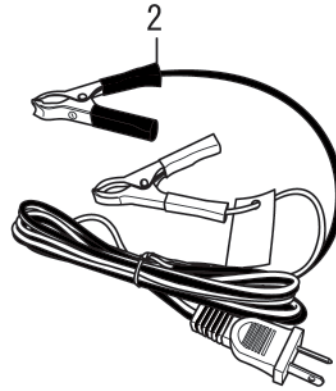
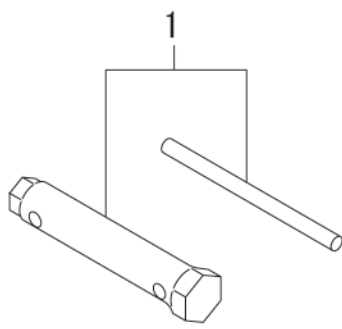


SECTION 26 FUEL TANK GROUP

REF.	PART NO.	DESCRIPTION	QTY.	REMARKS	FROM-TO	FIG.
1	31H-36007-01	Fuel Tank Cp	1			2600
2	043-05900-11	Fuel Tank Cap Ay	1			2600
3	064-15400-11	Fuel Filter	1			2600
4	064-80015-00	Fuel Gauge Cp	1			2600
5	011-00602-20	Flange Bolt, tank	4			2600
6	391-39000-13	Rubber, tank	4			2600
7	064-20064-00	Fuel Strainer Ay	1			2600
8	064-20042-10	Cup	1			2600
9	064-20064-10	Packing	1			2600
10	064-20064-20	Filter	1			2600
11	064-20064-30	Nut	1			2600
12	064-20064-40	Packing	1			2600
13	085-10618-60	Rubber Pipe	1			2600
14	056-11000-30	Hose Clamp	2			2600
15	36D-60001-08	Corrugated Tube	1			2600

SECTION 29 ACCESSORY GROUP

FIG.2900



PRINTED IN THE USA