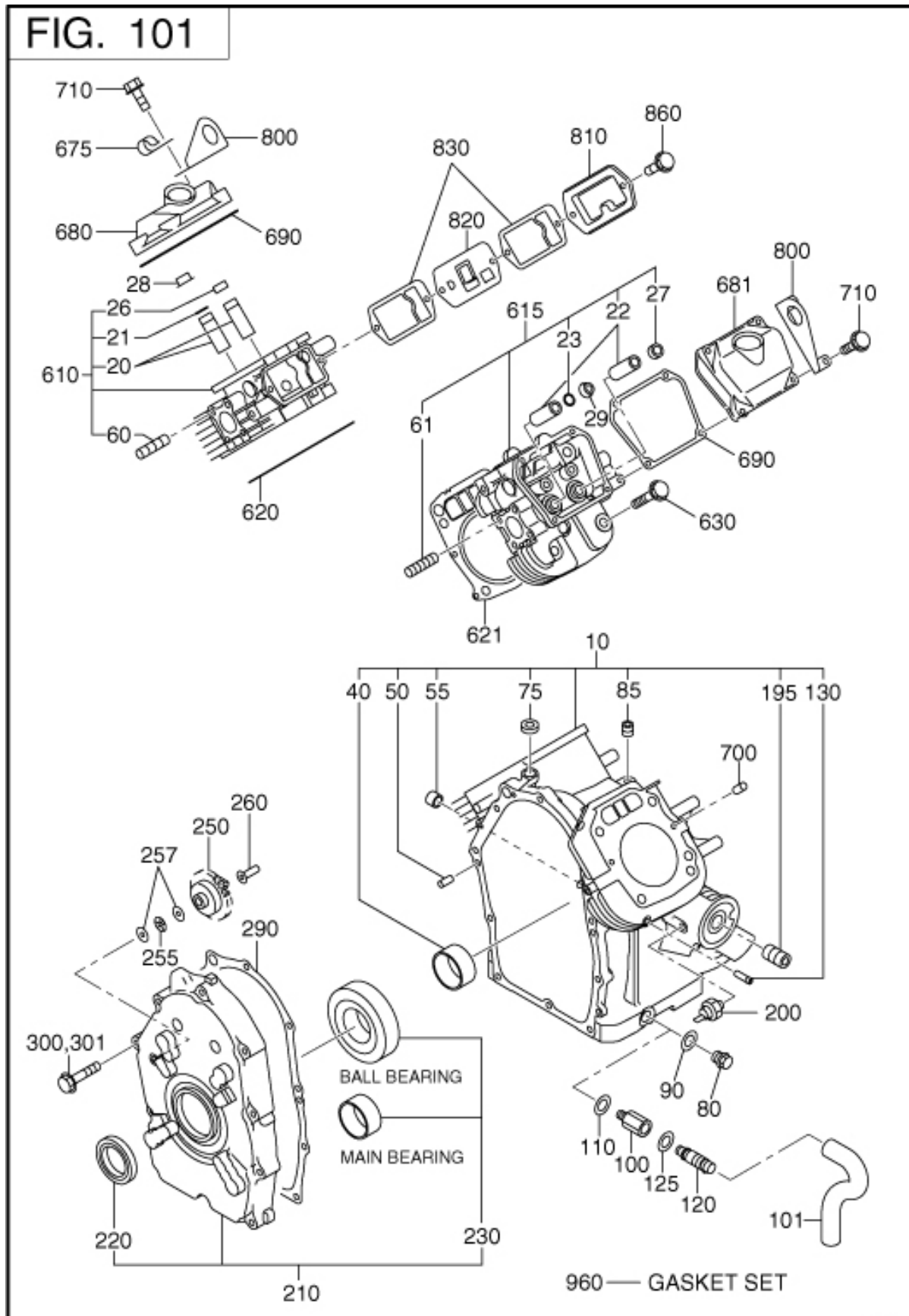


1 CRANK CASE GROUP



REF.	PART NUMBER	PART NAME	CODE NO.	QTY	REMARKS	INTERCHANGE
10	263-10112-B1	CRANK CASE CP	-	1		263-10112-C1
20	263-14211-03	VALVE GUIDE	-	2	6DX11DX32. 5L	
21	056-51000-50	CLIP	-	1	10. 7DX0. 9D	
22	263-14211-03	VALVE GUIDE	-	2	6DX11DX32. 5L	
23	056-51000-50	CLIP	-	1	10. 7DX0. 9D	
26	132-11AA1-10	SEAL-EXH VALVE	8127-	1		
	132-07AA0-50	SEAL-INT VALVE	-8126	1		
27	132-11AA1-10	SEAL-EXH VALVE	8127-	1		
	132-07AA0-50	SEAL-INT VALVE	-8126	1		
28	263-35341-03	RETAINER PLATE	-	1	11DX17. 3DX27DX4. 7H	
29	263-35341-03	RETAINER PLATE	-	1	11DX17. 3DX27DX4. 7H	
40	263-15802-03	MAIN BEARING	-	1	45DX50DX23B W/STOPER	263-15805-03
50	X31-00800-80	DOWEL PIN	-	2	8DX18L	
55	263-55601-03	PIPE	-	2	11DX8. 8DX8L	
60	010-50802-90	STUD	-	4	M8X1. 25X30L	
61	010-50802-90	STUD	-	4	M8X1. 25X30L	
75	044-00800-10	OIL SEAL	-	1	8DX14DX4B	
80	X40-11400-30	PLUG	-	1	M14X1. 5X20DX12L	040-11400-30
85	212-15008-13	BLIND PLUG	-	1	PT1/8X9L	
90	021-11400-20	GASKET	-	2	14. 1DX19DX2. 3T	
101	263-68101-B0	OIL DRAIN HOSE AY	-	1		
120	263-65005-A3	OIL DRAIN VALVE	-	1		
130	263-15701-01	PIPE	-	1		
195	263-15901-03	UNION	-	1	3/4X16UNFX30L	
200	263-76001-A1	SWITCH OIL PRESSURE	-	1		
210	263-11103-F1	MAIN BEARING COVER CP	8188-	1		263-11107-A1
	263-11103-E1	MAIN BEARING COVER CP	-8187	1		263-11103-21
220	044-04200-30	OIL SEAL	-	1	42DX60DX9B	
230	263-15802-03	MAIN BEARING	-	1	45DX50DX23B W/STOPER	263-15805-03
250	263-45001-C1	GOVERNOR GEAR CP	-	1	52DX26T N=25	263-45003-01
255	263-46215-A3	THRUST BEARING	-	1		
257	263-46214-A3	WASHER	-	2		263-46214-03
260	277-41901-03	GOVERNOR SLEEVE	-	1		277-41902-01
290	263-16002-A3	GASKET (M.B COVER)	-	1	T=0. 5	
300	X11-00802-20	FLANGE BOLT	-	10	M8X1. 25X17DX45L	011-00802-20

REF.	PART NUMBER	PART NAME	CODE NO.	QTY	REMARKS	INTERCHANGE
610	263-13213-A1	CYLINDER HEAD 1 CP	-	1		
615	263-13313-A1	CYLINDER HEAD 2 CP	-	1		263-13313-01
620	263-15021-31	GASKET 1 (CYL HEAD)	8127-	1		263-15021-41
	263-15021-21	GASKET 1 (CYL HEAD)	-8126	1	T=0.4	263-15021-31
621	263-15121-21	GASKET 2 (CYL HEAD)	8127-	1		263-15121-31
	263-15121-11	GASKET 2 (CYL HEAD)	-8126	1	T=0.4	263-15121-21
630	X11-01000-70	FLANGE BOLT	-	8	M10X1.25X19DX65L	
680	263-15501-A3	ROCKER COVER	-	1		263-15503-03
681	263-15502-A3	ROCKER COVER	-	1		
690	263-16101-A3	GASKET(ROCKER COVER)	-	2	T=0.4	263-16111-03
700	X31-00600-20	DOWEL PIN	-	4		031-00600-20
710	X11-00601-01	FLANGE BOLT	-	8	M6X1.0X13DX28L	011-00601-01
800	280-19001-A3	HOOK	-	2		280-19001-03
810	263-14301-03	BREATHER COVER	-	1		263-14302-03
820	280-14401-A1	BREATHER PLATE CP	-	1		280-14411-01
830	263-16006-03	GASKET(BREATHERPLATE	-	2	T=1.5	263-16007-03
860	X11-00600-30	FLANGE BOLT	-	2	M6X1.0X14DX14L	011-00600-30
960	263-99001-37	GASKET SET	-	1		

