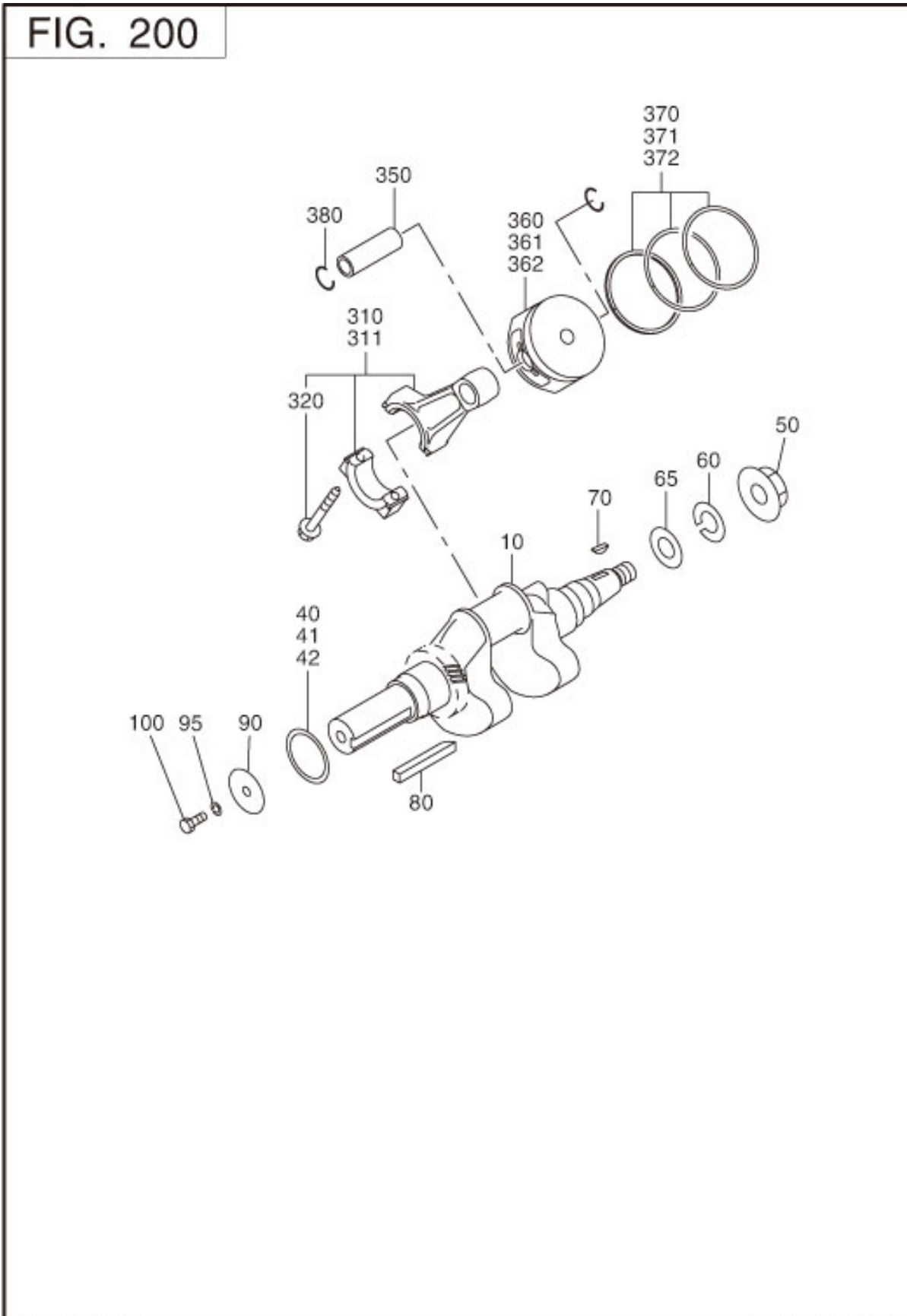


2 CRANK,PISTON GROUP



REF.	PART NUMBER	PART NAME	CODE NO.	QTY	REMARKS	INTERCHANGE
10	263-21311-B1	CRANK SHAFT CP	8310-	1		
	263-21301-D1	CRANK SHAFT CP	-8309	1		263-21311-B1
40	263-25012-A3	SPACER	-	1	45. 3DX58DX0. 8T	263-25022-03
41	263-25013-A3	SPACER	-	1	45. 3DX58DX1. 0T	263-25023-03
42	263-25014-A3	SPACER	-	1	45. 3DX58DX1. 2T	263-25024-03
50	X18-01800-10	FLANGE NUT	-	1	M18X1. 5X31DX14H	
65	003-10180-00	WASHER	-	1	19DX32DX2. 6T	
70	005-32054-01	WOODRUFF KEY	-	1	5BX7. 5HX19D	
310	263-22601-10	CONNECTING ROD AY	-	2	117CDX30B 39D-21D	263-22601-20
311	263-22602-00	CONNECTING ROD AY	-	2	0. 25 U. S.	263-22602-10
320	001-05084-00	FLANGE BOLT	-	4	M8X1. 25X16DX40L	
350	263-23301-33	PISTON PIN	-	2	21DX15DX64. 2L	
360	263-23421-J3	PISTON	7853-	2		
	263-23421-H3	PISTON	-7852	2		263-23401-03
361	263-23422-J3	PISTON	7853-	2		
	263-23422-H3	PISTON	-7852	2		263-23402-03
362	263-23423-J3	PISTON	7853-	2		
	263-23423-H3	PISTON	-7852	2		263-23403-03
370	263-23501-17	PISTON RING SET	-	2	STD (80D)	263-23501-27
371	263-23502-17	PISTON RING SET	-	2	0. 25 O. S. (80D)	263-23502-27
372	263-23503-17	PISTON RING SET	-	2	0. 50 O. S. (80D)	263-23503-27
380	056-52100-20	CLIP	-	4	22. 1DX1. 4D	