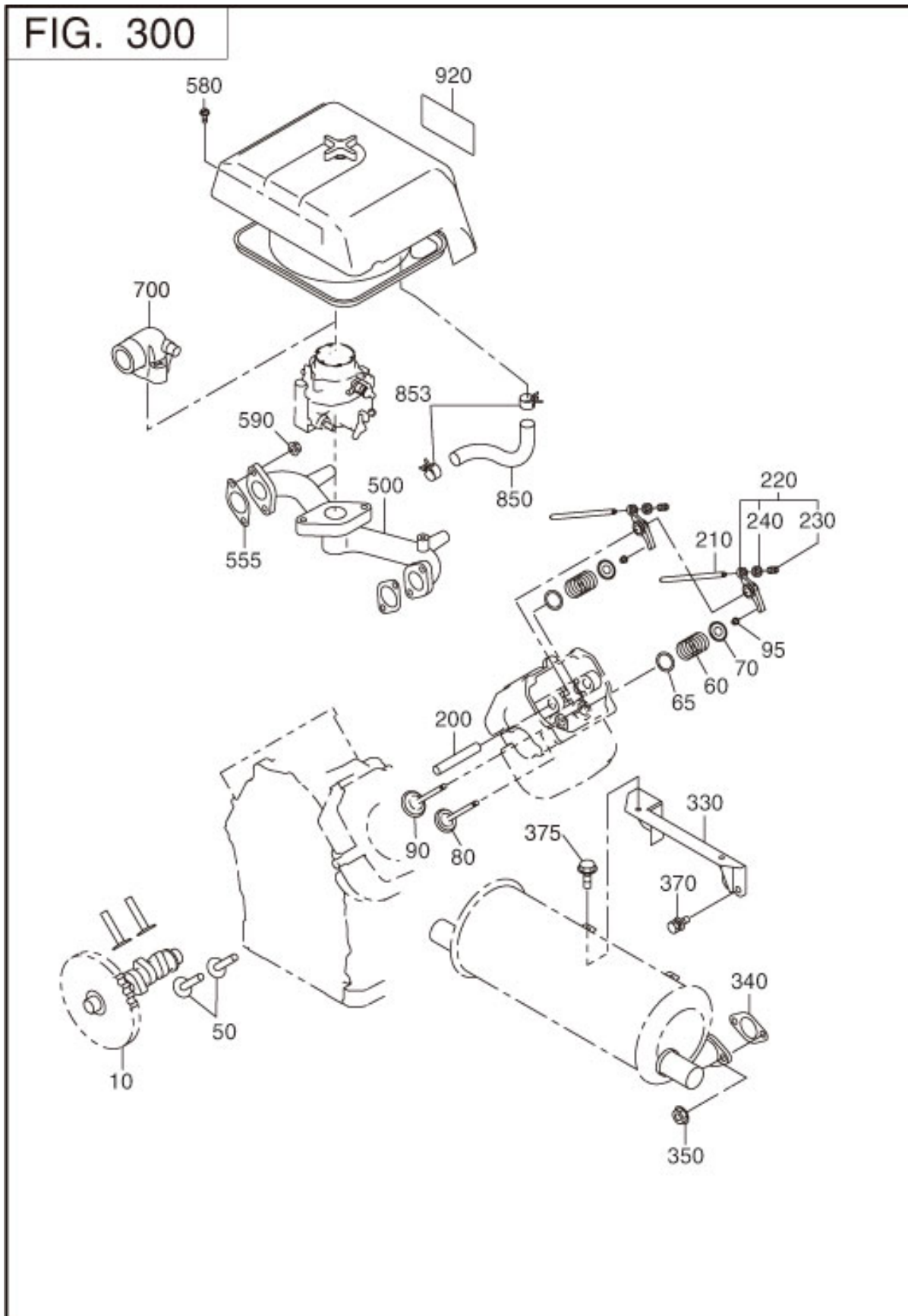


3 INTAKE,EXHAUST GROUP



REF.	PART NUMBER	PART NAME	CODE NO.	QTY	REMARKS	INTERCHANGE
10	263-31701-13	CAM SHAFT	-	1	L=169 133DX12B N=66	
50	263-33301-A3	TAPPET	-	4	27DX9DX48L	
60	246-33611-03	VALVE SPRING	-	4	22. 2DX2. 9DX37L N=6. 5	
70	246-33711-13	SPRING RETAINER	-	4	7. 6DX26DX8T	
80	263-33401-03	INTAKE VALVE	-	2	35DX6DX79. 8L	263-33401-H3
90	263-33502-13	EXHAUST VALVE	6149-	2	31DX6DX80. 3L	263-33502-H3
	263-33502-03	EXHAUST VALVE	-6148	2	31DX6DX80. 3L	263-33502-13
95	246-35501-03	COLLET-VALVE	-	8		
200	239-35001-03	ROCKER SHAFT	-	2	12DX75L	
210	263-35311-01	PUSH ROD CP	-	4	8DX135. 5L	
220	246-36101-10	ROCKER ARM AY	-	4		
230	014-90800-21	ADJUSTING SCREW	-	1	M8X0. 75X13. 4L	
240	017-00800-90	NUT	-	1	M8X0. 75X5. 1H	
330	263-37001-A1	BRACKET MUFFLER	-	1		263-37001-H1
340	263-35201-A1	GASKET EXHAUST	-	2	T=1. 6 28D 8. 5DX52P	270-35201-01
350	018-00800-10	FLANGE NUT	-	4	M8X1. 25X17DX7. 5H	
370	001-14082-00	BOLT AND WASHER AY	-	2	M8X1. 25X20L W/W, SW	
375	011-00600-30	FLANGE BOLT	-	4	M6X1. 0X14DX14L	
500	263-33001-03	INTAKE MANIFOLD	-	1		
555	263-35503-A3	GASKET(IN MANIFOLD)	-	2	T=0. 4 31D 8. 5DX52P	263-35513-03
580	X10-10500-10	FLANGE BOLT	-	3		
590	002-38080-00	FLANGE NUT	-	4	M8X1. 25X17DX7. 5H	
850	263-18003-03	RUBBER PIPE	6331-	1	14. 5DX20. 5D FORMED	
	263-18001-A3	RUBBER PIPE	-6330	1	14. 5DX20. 5D FORMED	263-18003-03
853	056-12000-20	HOSE CLAMP	-	2	20DX10BX1T	
920	263-91710-03	LABEL(TRADE MARK)	-	1	50X95 ENGLISH	263-91721-03