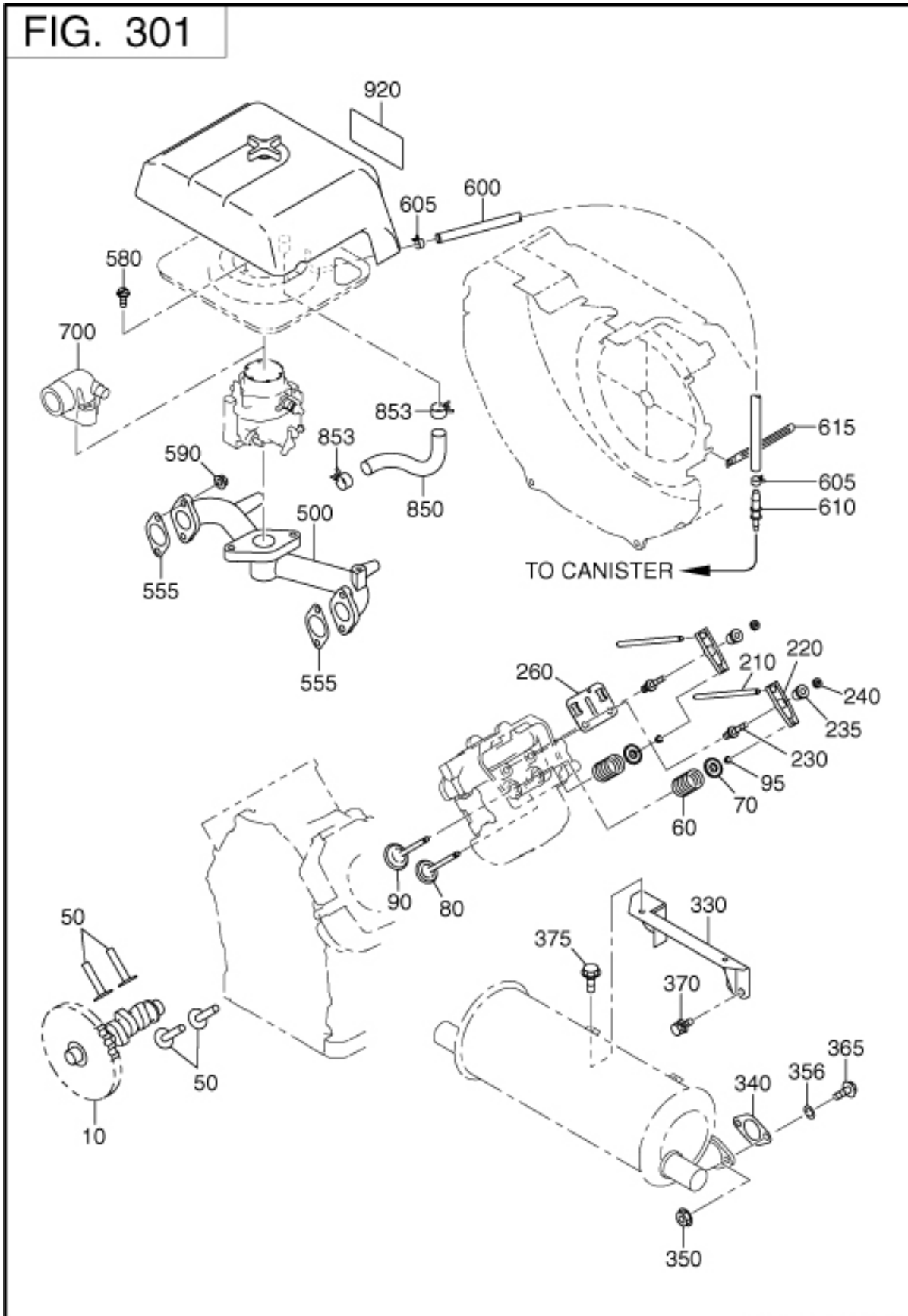


3 INTAKE,EXHAUST GROUP



REF.	PART NUMBER	PART NAME	CODE NO.	QTY	REMARKS	INTERCHANGE
10	280-31801-03	CAM SHAFT	-	1		
50	263-33301-A3	TAPPET	-	4	27DX9DX48L	
60	246-33611-03	VALVE SPRING	-	4	22. 2DX2. 9DX37L N=6. 5	
70	246-33711-13	SPRING RETAINER	-	4	7. 6DX26DX8T	
80	263-33401-03	INTAKE VALVE	-	2	35DX6DX79. 8L	263-33401-H3
90	263-33502-13	EXHAUST VALVE	-	2	31DX6DX80. 3L	263-33502-H3
95	246-35501-03	COLLET-VALVE	-	8		
210	263-35322-A1	PUSH ROD CP	8310-	4		263-35331-01
	263-35321-B1	PUSH ROD CP	-8309	4	8DX138. 5L	263-35322-A1
220	267-36102-03	ROCKER ARM	-	4		
230	263-35801-03	BOLT(PIVOT)	-	4		
235	267-35701-03	PIVOT	-	4		
240	X17-00601-10	NUT	-	4	M6X0. 75X3. 6H	017-00601-10
260	263-37002-A3	GUIDE PLATE	-	2		
340	270-35201-01	GASKET CP (MUFFLER)	-	2	T=0. 4 30D 8. 5DX52P	
350	002-38080-00	FLANGE NUT	-	4	M8X1. 25X17DX7. 5H	
500	280-33001-J3	INTAKE MANIFOLD	-	1		
555	263-35503-A3	GASKET(IN MANIFOLD)	-	2	T=0. 4 31D 8. 5DX52P	263-35513-03
580	X11-00600-20	FLANGE BOLT	-	3	M6X1. 0X14DX12L	011-00600-20
590	002-38080-00	FLANGE NUT	-	4	M8X1. 25X17DX7. 5H	
850	263-18003-03	RUBBER PIPE	-	1	14. 5DX20. 5D FORMED	
853	263-68512-A3	HOSE CLAMP	-	2		
920	263-91724-A3	LABEL(TRADE MARK)	-	1		