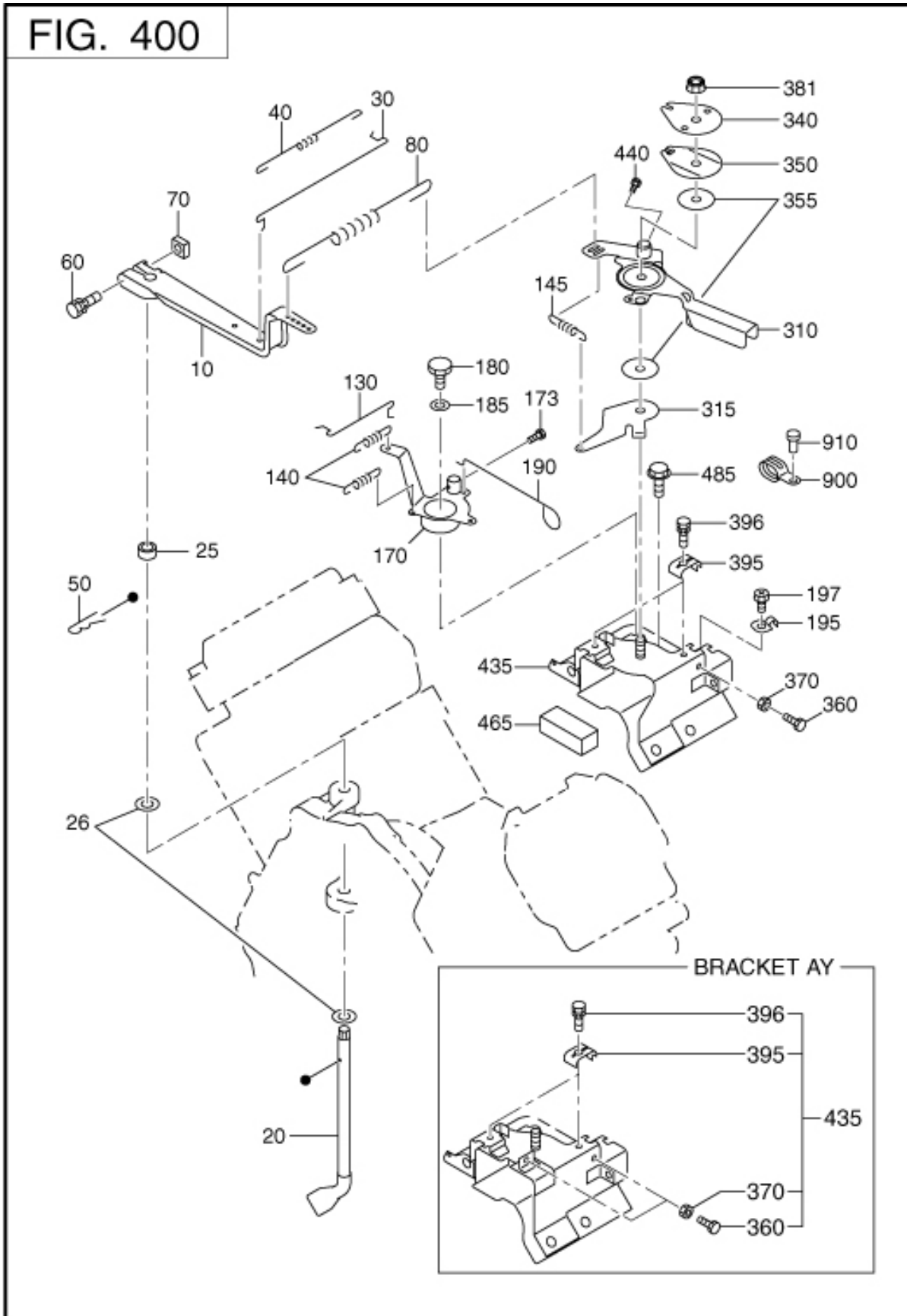


4 GOVERNOR GROUP



REF.	PART NUMBER	PART NAME	CODE NO.	QTY	REMARKS	INTERCHANGE
10	263-42301-B3	GOVERNOR LEVER	-	1		
20	263-42201-A3	GOVERNOR SHAFT	-	1		
25	X23-00801-50	SPACER	-	1	8. 3DX11. 9DX6. 4T	
26	003-10080-00	WASHER	-	2	8. 5DX16DX1. 2T	
30	263-42701-A3	GOVERNOR ROD	-	1		263-42701-13
40	263-42801-03	ROD SPRING	-	1	6DX0. 5DX102L N=29	263-42801-13
50	005-11060-01	SNAP PIN	-	1		
60	001-14063-00	BOLT AND WASHER AY	-	1	M6X1. 0X30L W/W, SW	
70	X18-60600-20	NUT	-	1	M6X1. 0X4. 9H SQUARE	018-60600-20
80	263-42509-A3	GOVERNOR SPRING	-	1		263-42509-03
130	263-46011-A3	CHOKE CONTROL ROD	-	1		263-46011-01
140	261-45201-03	RETURN SPRING	-	1	6. 8DX0. 7DX35L N=15	261-45201-13
170	263-46021-B3	CHOKE LEVER	-	1		
180	226-43101-A1	LINK PIVOT	-	1		
195	X56-60800-40	CLAMP EH650	-	1		
310	263-43311-A3	SPEED CONTROL LEVER	-	1		
360	X11-50500-20	BOLT	-	1	M5X0. 8X35L	011-50500-20
370	002-27050-00	NUT	-	1		
381	002-38060-00	FLANGE NUT	-	1	M6X1. 0X13DX6H	
395	261-43901-03	CLAMP	-	1		
396	001-17052-00	BOLT & WASHER AY	-	1		
435	263-45021-A2	BRACKET(SPD CONTROL)	-	1		
465	X84-14320-00	RUBBER FOAM	-	1		
485	X11-00600-20	FLANGE BOLT	-	2	M6X1. 0X14DX12L	011-00600-20