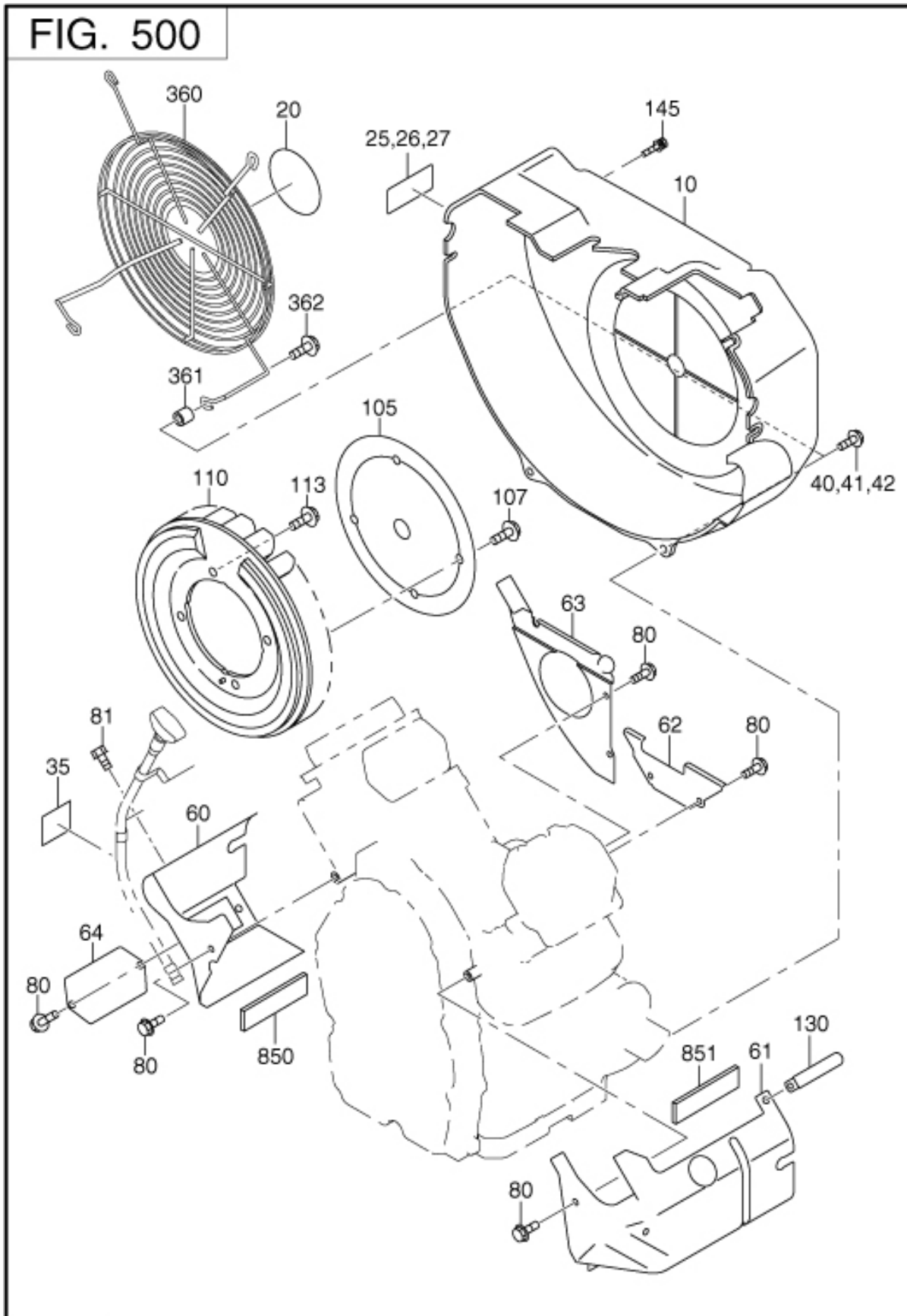


5 COOLING,STARTING GR



| REF. | PART NUMBER  | PART NAME            | CODE NO. | QTY | REMARKS            | INTERCHANGE  |
|------|--------------|----------------------|----------|-----|--------------------|--------------|
| 10   | 263-51121-B2 | BLOWER HOUSING UN    | -        | 1   |                    | 263-51121-H2 |
| 25   | 263-92001-03 | LABEL(WARNING)       | -        | 1   | 38X80 ENGLISH      |              |
| 40   | X11-00600-30 | FLANGE BOLT          | -8005    | 4   | M6X1.0X14DX14L     | 011-00600-30 |
|      | X11-00600-30 | FLANGE BOLT          | 8006-    | 6   | M6X1.0X14DX14L     | 011-00600-30 |
| 41   | X11-00601-40 | FLANGE BOLT          | -8005    | 2   | M6X1.0X14DX18L     | 011-00601-40 |
| 60   | 263-52612-A1 | CYLINDER BAFFLE 1 CP | -        | 1   |                    |              |
| 61   | 263-52704-A1 | CYLINDER BAFFLE 2 CP | -        | 1   |                    |              |
| 62   | 263-52802-A3 | CYLINDER BAFFLE 3    | 7976-    | 1   |                    | 263-52812-03 |
|      | 263-52801-03 | CYLINDER BAFFLE 3    | -7975    | 1   |                    |              |
| 63   | 263-52912-A2 | CYLINDER BAFFLE 4 UN | -        | 1   |                    |              |
| 80   | X11-00600-20 | FLANGE BOLT          | -        | 6   | M6X1.0X14DX12L     | 011-00600-20 |
| 110  | 263-54101-A2 | COOLING BLOWER UN    | -        | 1   |                    | 263-54101-H2 |
| 113  | 001-14061-60 | BOLT AND WASHER AY   | -        | 4   | M6X1.0X16L W/W. SW |              |
| 145  | X11-00600-10 | FLANGE BOLT          | -        | 2   | M6X1.0X14DX8L      | 011-00600-10 |