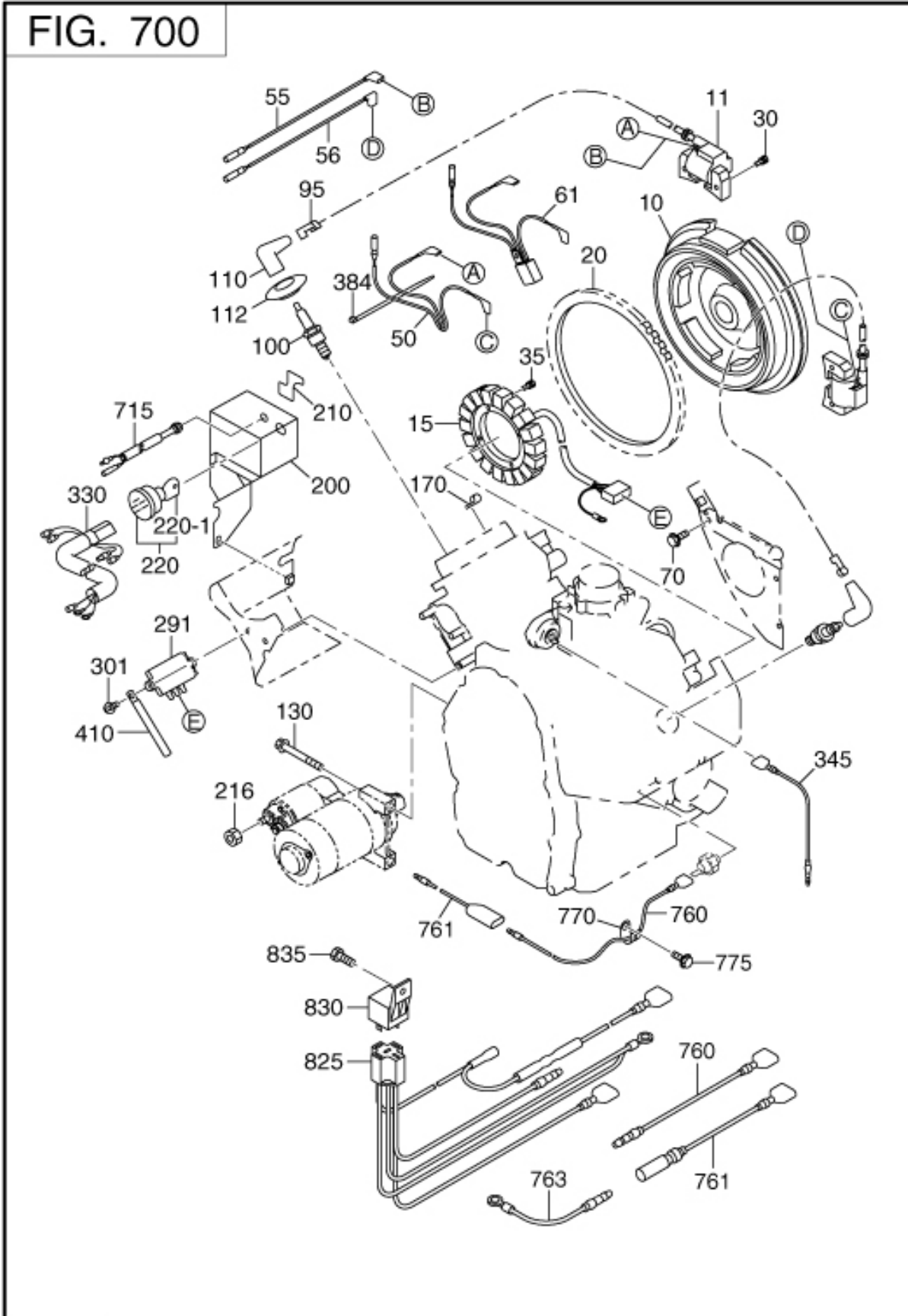


7 ELECTRIC DEVICE GR



| REF. | PART NUMBER | PART NAME | CODE NO. | QTY | REMARKS | INTERCHANGE |
|------|--------------|--------------------|----------|-----|----------------------|--------------|
| 10 | 263-77202-11 | FLYWHEEL CP | - | 1 | | 263-77206-01 |
| 11 | 263-78203-01 | IGNITION COIL CP | - | 2 | MARK AK | 263-78203-11 |
| 15 | 263-79411-A1 | CHARGE COIL CP | - | 1 | | |
| 20 | 263-71002-03 | RING GEAR | - | 1 | 202DX233DX8. 7B N=90 | 263-71002-H3 |
| 30 | 001-14062-50 | BOLT AND WASHER AY | - | 4 | M6X1. 0X25L W/W. SW | |
| 35 | 001-16052-00 | BOLT AND WASHER AY | - | 4 | | |
| 50 | 263-73126-H1 | WIRE CP(IG.COIL) | - | 1 | BLACK | 263-73133-01 |
| 95 | X65-91000-10 | PLUG TERMINAL | - | 2 | | |
| 100 | X65-01407-30 | SPARK PLUG | - | 2 | NGK BPR4EY | 065-01407-30 |
| 110 | X65-51000-10 | SPARK PLUG CAP | - | 2 | | |
| 112 | 279-55201-03 | GROMMET(PLUG CAP) | - | 1 | | |
| 130 | X11-00801-00 | FLANGE BOLT | - | 2 | M8X1. 25X17DX65L | 011-00801-00 |
| 170 | X56-60800-30 | CLAMP EH65RMI | - | 2 | | 206-75501-01 |
| 216 | 002-38080-00 | FLANGE NUT | - | 1 | M8X1. 25X17DX7. 5H | |
| 291 | 263-71903-A1 | REGULATOR CP | 7853- | 1 | | |
| | 263-71901-01 | REGULATOR CP | -7852 | 1 | | 263-71903-A1 |
| 301 | X11-00601-40 | FLANGE BOLT | - | 2 | M6X1. 0X14DX18L | 011-00601-40 |
| 330 | 263-73118-C1 | WIRING HARNESS CP | - | 1 | | |
| 384 | X56-30000-80 | WIRE BAND | - | 4 | 4. 8BX1. 2TX190L | |
| 770 | 206-75501-A1 | CLAMP CP | - | 1 | | |