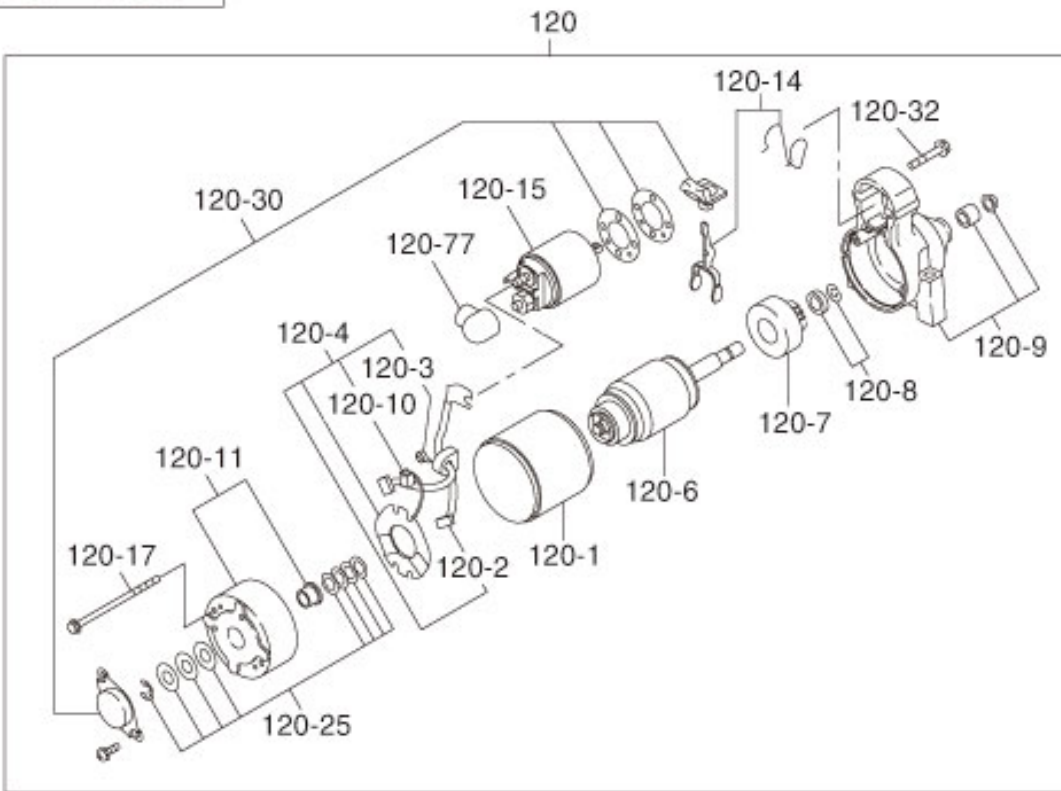


7 ELECTRIC DEVICE GR

FIG. 730



REF.	PART NUMBER	PART NAME	CODE NO.	QTY	REMARKS	INTERCHANGE
120	263-70502-A0	STARTING MOTOR AY	-8309	1		263-70504-J0
- 1	255-70580-08	YOKE AY	-8309	1		
- 2	255-70551-08	BRUSH SET	-8309	1		
- 3	228-70516-08	BRUSH SPRING	-8309	4		
- 4	255-70531-08	BRUSH HOLDER AY	-8309	1		
- 6	263-70510-08	ARMATURE ASS'Y	-8309	1		
- 7	255-70521-08	PINION AY	-8309	1		
- 8	210-70534-08	PINION STOPPER SET	-8309	1		
- 9	263-70500-08	GEAR CASE ASS'Y	-8309	1		
- 10	228-70514-08	BRUSH (-)	-8309	2		
- 11	263-70505-08	REAR COVER ASS'Y	-8309	1		
- 14	243-70525-08	SHIFT LEVER KIT	-8309	1		
- 15	263-70515-08	MAGNETIC SWITCH AY	-8309	1		
- 17	207-70524-08	THROUGH BOLT	-8309	2		
- 25	263-70550-08	THRUST WASHER KIT	-8309	1		
- 30	255-70570-08	DUST COVER KIT	-8309	1		
- 32	263-70551-08	06 BOLT(M6X37)	-8309	2		
- 77	207-70526-08	RUBBER CAP BS	-8309	1		