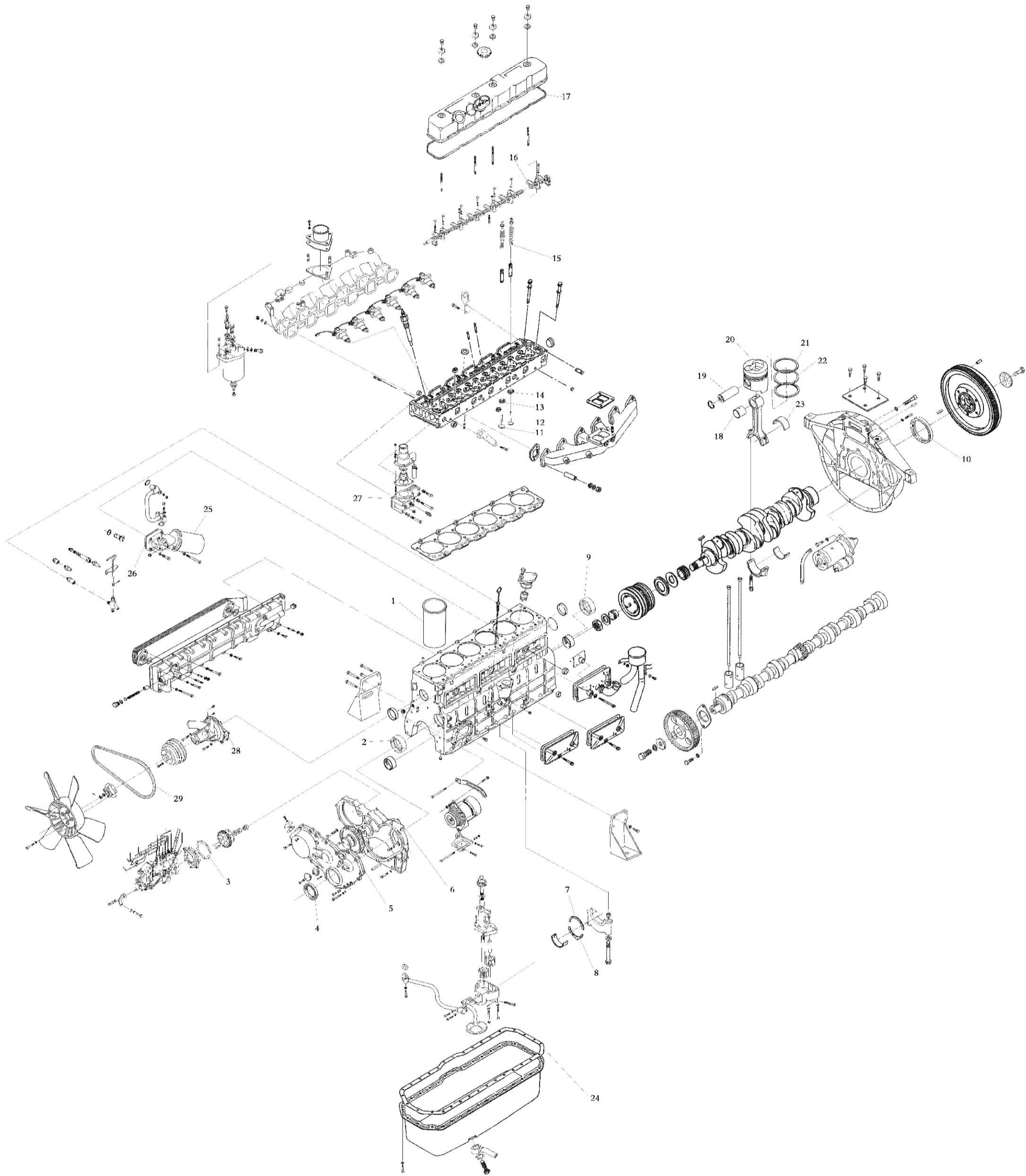


ASSEMBLY AND PARTS DRAWING

KD6105



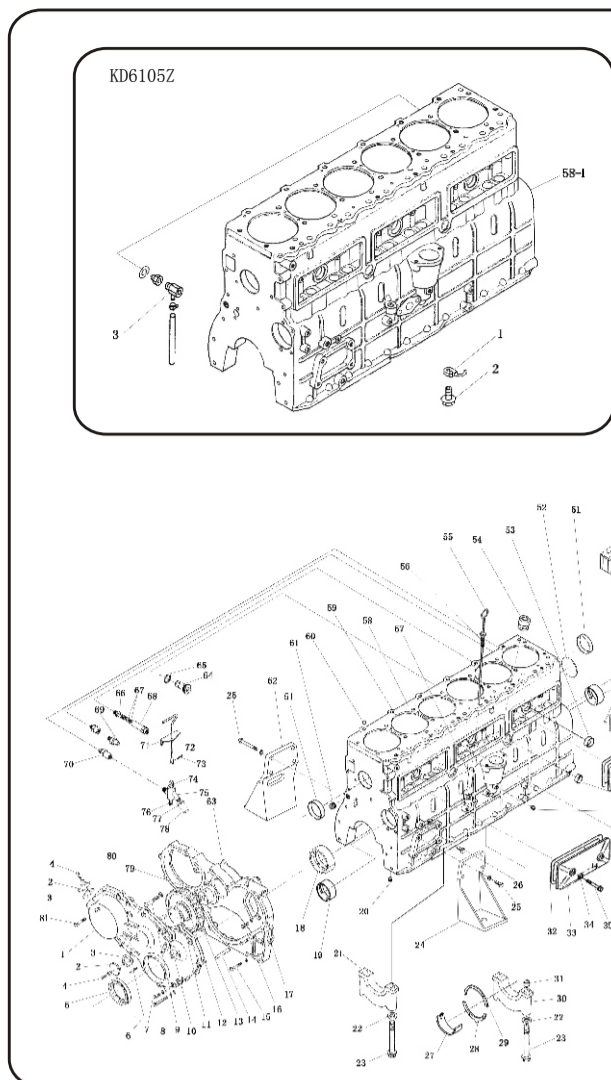
Easy Wearing Part

No.	Part No.	Description	Qty.	Mounted To
1	KD 6105-1002102	Cylinder Cover	6	Cylinder Block Assembly
2	KD 6105-1002006	Main Bushing	13	Cylinder Block Assembly
3	KD 6105-1111004	Flange Gasket of Oil Pump	1	Fuel Injection Pump Assembly
4	KD 6105-1002012	Front Oil Seal of Crankshaft	1	Cylinder Block Assembly
5	KD 6105-1002003	Gear Box Cover Gasket	1	Cylinder Block Assembly
6	KD 6105-1002002	Gear Box Gasket	1	Cylinder Block Assembly
7	KD 6105-1002008	Crankshaft Upper Thrust	2	Cylinder Block Assembly
8	KD 6105-1002009	Crankshaft Lower Thrust	2	Cylinder Block Assembly
9	KD 6105-1002007	Main Bushing	1	Cylinder Block Assembly
10	KD 6105-1002011	Rear Oil Seal of Crankshaft	1	Cylinder Block Assembly
11	KD 6105-1003008	Exhaust Valve	6	Cylinder Cover Assembly
12	KD 6105-1003007	Inlet Valve	6	Cylinder Cover Assembly
13	KD 6105-1003104	Exhaust Valve Seat	6	Cylinder Cover Assembly
14	KD 6105-1003103	Inlet Valve Seat	6	Cylinder Cover Assembly
15	KD 6105-1003006	Valve Pipe Oil Seal	12	Cylinder Cover Assembly

No.	Part No.	Description	Qty.	Mounted To
16	KD 6105-1003222	Rocker Bushing	12	Cylinder Cover Assembly
17	KD 6105-1003301	Rubber Seal Ring	1	Cylinder Cover Assembly
18	KD 6105-1004201	Connection Rod Bushing	6	Piston Connection Rod Assembly
19	KD 6105-1004004	Piston Pin	6	Piston Connection Rod Assembly
20	KD 6105-1004003	Piston (Square Combustion Chamber)	6	Piston Connection Rod Assembly
21	KD 6105-1004001	The 1st Air Ring	6	Piston Connection Rod Assembly
22	KD 6105-1004002	The 2nd Air Ring	6	Piston Connection Rod Assembly
23	KD 6105-1004004	Connection Rod Bush	12	Piston Connection Rod Assembly
24	KD 6105-1009001	Oil Sump Gasket	1	Oil Sump Assembly
25	KD 6105-1013100	Oil Filter Element	1	Oil Filter Assembly
26	KD 6105-1013001	Seal Gasket of Oil Filter	1	Oil Filter Assembly
27	KD 6105-1306005	Front-end Gasket of Cylinder Cover	1	Thermostat Assembly
28	KD 6105-1307001	Water Pump Seat Gasket	1	Water Pump Assembly
29	KD 6105-1308002	Fan Belt	1	Fan Assembly

Tighten Torque for Main Bolts and Nuts (Unit:N.m)

No.	Name	Qty.
①	Cylinder Cover Bolt	108-118N · m
②	Main Bearing Bolt	216-235N · m
③	Connection Rod Bolt	118-127N · m
④	Flywheel Bolt	216-235N · m
⑤	Flywheel Shell Bolt	127-147N · m
⑥	Tighten Bolt of Camshaft Gear	108-118N · m
⑦	Front-end Nut of Crankshaft	588-637N · m
⑧	Pressure Stabilizing Valve of Main Oil Duct	29-39N · m

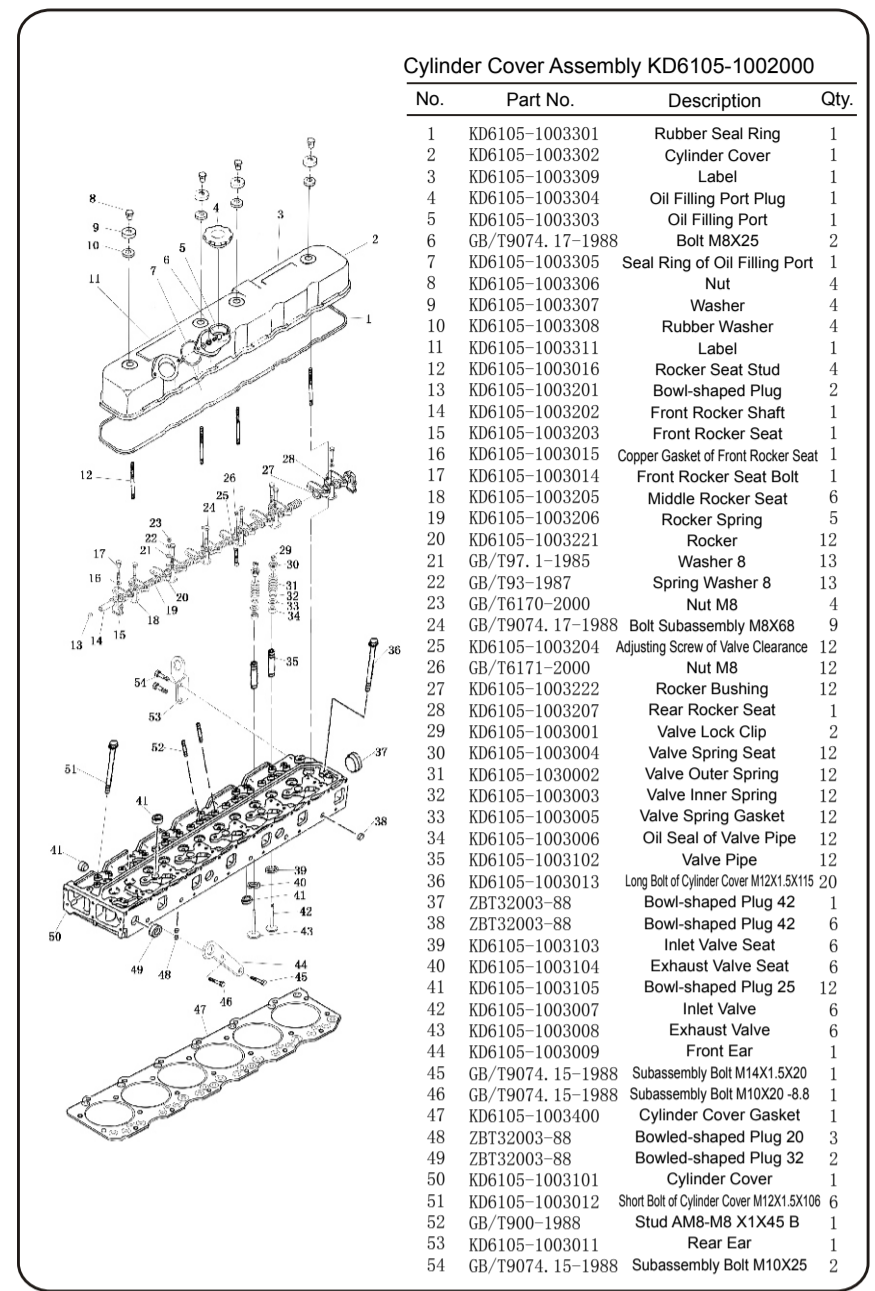


Cylinder Block Assembly KD6105-1002000

No.	Part No.	Description	Qty.	No.	Part No.	Description	Qty.
1	KD6105-1002201	Gear Box Cover	1	45	KD6105-1002011	Rear Oil Seal of Crankshaft	1
2	KD6105-1002202	Inspection Hole Cover	2	46	GB/T9074.15-1988	Bolt Subassembly M8X25	7
3	KD6105-1002203	Inspection Hole Cover Gasket	2	47	GB/T119.2-2000	Pin 10X25	2
4	GB/T9074.15-1988	Bolt Subassembly M6X12	4	48	GB/T9074.15-1988	Bolt Subassembly M14X50	8
5	KD6105-1002012	Crankshaft Front Oil Seal	1	49	KD6105-1002072	Inspection Hole Cover	1
6	KD6105-1002204	Timing Finger	1	50	GB/T9074.14-1988	Bolt Subassembly M8X16	4
7	GB/T9074.17-1988	Bolt Subassembly M8X25	7	51	KD6105-1002103	Front/Rear Bowl-shaped Plug	2
8	GB/T9074.17-1988	Bolt Subassembly M8X50	5	52	KD6105-1002105	Rear Plug of Camshaft	1
9	GB/T9074.15-1988	Bolt Subassembly M10X55	2	53	KD6105-1002114	Bowl-shaped Plug 32	3
10	GB/T119.2-2000	Pin 10X30	1	54	KD6105-1002111	Driving Bushing of Oil Pump	1
11	KD6105-1002004	Idle Wheel Plate	1	55	KD6105-1002800	Oil Ruler	1
12	KD6105-1002301	Idle Gear Bushing	1	56	GB/T3452.1-1994	O-Seal Ring 11.5X2.65	1
13	KD6105-1002301	Idle Gear	1	57	KD6105-1002024	Cylinder Block	1
14	GB/T119.2-2000	Pin 10X55	1	58	KD6105-1002101	Mechanical Processing Parts of Cylinder Block	1
15	GB/T9074.15-1988	Bolt Subassembly M8X45	2	58-1	KD6105Z-1002100	Cylinder Cover	6
16	GB/T9074.15-1988	Bolt Subassembly M8X20	4	59	KD6105-1002102	Location Sleeve of Cylinder Cover	2
17	KD6105-1002001	Gear Box	1	60	KD6105-1002019	Screw Plug of Main Oil Duct	2
18	KD6105-1002006	Main Bushing	13	61	KD6105-1002022	Right Bracket	1
19	KD6105-1002109	Camshaft Front Bush	1	62	KD6105-1002015	Right Bracket	1
20	KD6105-1002021	Lower Screw Plug of Main Oil Duct	1	63	KD6105-1002002	Gear Box Gasket	1
21	KD6105-1002106	Main Bushing	6	64	KD6105-1002400	Pressure Stabilized Valve of Main Oil Duct	1
22	KD6105-1002113	Flat Washer	14	65	GB/T3452.1-1992	O-Seal Ring 26.5X2.65	1
23	KD6105-1002112	Main Bearing Bolt M6X1.5X11	14	66	KD6105-1002032	Lube Oil Duct Seal	1
24	KD6105-1002014	Left Bracket	1	67	KD6105-1002031	Seal Gasket	2
25	GB/T9074.15-1988	Bolt Subassembly M12X25	8	68	KD6105-1002029	Lube Oil Duct Adaptor	1
26	KD6105-1002028	Screw Plug M14X1.5X9	1	69	KD6105-1002900	Oil Pressure Alarm Sensor	1
27	KD6105-1002007	Main Bushing	1	70	KD6105-1002503	Water Outlet Valve Adaptor	1
28	KD6105-1002009	Camshaft Lower Thrust	2	71	KD6105-1002501	Water Outlet Valve Bracket	1
29	KD6105-1002008	Camshaft Upper Thrust	2	72	KD6105-1002502	Water Outlet Valve Plate	1
30	KD6105-1002107	Main Bearing Cover	1	73	GB/T91-2000	Split Pin 2.5X20	2
31	KD6105-1002104	Location Sleeve of Main Bearing Cover	2	74	KD6105-1002511	Water Outlet Valve	1
32	KD6105-1002017	Seal Gasket of Pushing Rod Chamber Cover	3	75	KD6105-1002512	Water Outlet Valve Seat	1
33	KD6105-1002016	Rear Pushing Rod Chamber Cover	2	76	KD6105-1002401	Pressure Stabilizing Valve Seat	1
34	KD6105-1002027	Seal Washer	6	77	KD6105-1002402	Pressure Stabilizing Valve	1
35	KD6105-1002026	Hexagonal Flange Bolt (Short)	2	78	KD6105-1002504	Water Outlet Pipe	1
36	KD6105-1002116	Circular Screw Plug (Z1/8")	7	79	KD6105-1002005	Idle Gear Shaft	1
37	KD6105-1002115	Bowl-shaped Plug 28	2	80	KD6105-1002003	Gear Box Cover Gasket	1
38	KD6105-1002025	Hexagonal Flange Bolt (Long)	4	81	GB/T9074.17-1988	Bolt Subassembly M8X60	7
39	KD6105-1002601	Front Pushing Rod Chamber Cover	1				
40	KD6105-1002603	Breather Pipe Connector	1				
41	KD6105-1002602	Breather Retainer	1				
42	GB/T109-1986	Rivet 2.5X5	3				
43	KD6105-1002108	Camshaft Bush	5				
44	KD6105-1002701	Flywheel Shell	1				

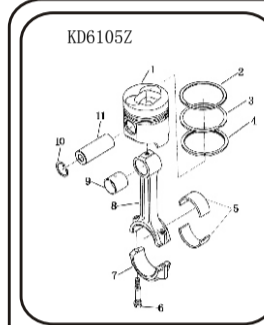
KD6105Z-1002000 Cylinder Block Assembly

1	KD6105Z-1002400	Fuel Injection Pipe	1
2	KD6105Z-1002500	Pressure Valve of Fuel Injection Pipe	1
3	KD6105Z-1002600	Water Outlet Valve	1



Cylinder Cover Assembly KD6105-1002000

No.	Part No.	Description	Qty.
1	KD6105-1003301	Rubber Seal Ring	1
2	KD6105-1003302	Cylinder Cover	1
3	KD6105-1003309	Label	1
4	KD6105-1003304	Oil Filling Port Plug	1
5	KD6105-1003303	Oil Filling Port	1
6	GB/T9074.17-1988	Bolt M8X25	2
7	KD6105-1003305	Seal Ring of Oil Filling Port	1
8	KD6105-1003306	Nut	4
9	KD6105-1003307	Washer	4
10	KD6105-1003308	Rubber Washer	4
11	KD6105-1003311	Label	1
12	KD6105-1003016	Rocker Seat Stud	4
13	KD6105-1003201	Bowl-shaped Plug	2
14	KD6105-1003202	Front Rocker Shaft	1
15	KD6105-1003203	Front Rocker Seat	1
16	KD6105-1003015	Copper Gasket of Front Rocker Seat	1
17	KD6105-1003014	Front Rocker Seat Bolt	1
18	KD6105-1003205	Middle Rocker Seat	6
19	KD6105-1003206	Rocker Spring	5
20	KD6105-1003221	Rocker	12
21	GB/T97.1-1985	Washer 8	13
22	GB/T93-1987	Spring Washer 8	13
23	GB/T6170-2000	Nut M8	4
24	GB/T9074.17-1988	Bolt Subassembly M8X68	9
25	KD6105-1003204	Adjusting Screw of Valve Clearance	12
26	GB/T6171-2000	Nut M8	12
27	KD6105-1003222	Rocker Bushing	12
28	KD6105-1003207	Rear Rocker Seat	1
29	KD6105-1003001	Valve Lock Clip	2
30	KD6105-1003004	Valve Spring Seat	12
31	KD6105-1003002	Valve Outer Spring	12
32	KD6105-1003003	Valve Inner Spring	12
33	KD6105-1003005	Valve Spring Gasket	12
34	KD6105-1003006	Oil Seal of Valve Pipe	12
35	KD6105-1003102	Valve Pipe	12
36	KD6105-1003013	Long Bolt of Cylinder Cover M12X1.5X115	20
37	ZBT32003-88	Bowl-shaped Plug 42	1
38	ZBT32003-88	Bowl-shaped Plug 42	6
39	KD6105-1003103	Inlet Valve Seat	6
40	KD6105-1003104	Exhaust Valve Seat	6
41	KD6105-1003105	Bowl-shaped Plug 25	12
42	KD6105-1003007	Inlet Valve	6
43	KD6105-1003008	Exhaust Valve	6
44	KD6105-1003009	Front Ear	1
45	GB/T9074.15-1988	Subassembly Bolt M14X1.5X20	1
46	GB/T9074.15-1988	Subassembly Bolt M10X20-8.8	1
47	KD6105-1003400	Cylinder Cover Gasket	1
48	ZBT32003-88	Bowl-shaped Plug 20	3
49	ZBT32003-88	Bowl-shaped Plug 32	2
50	KD6105-1003101	Cylinder Cover	1
51	KD6105-1003012	Short Bolt of Cylinder Cover M12X1.5X106	6
52	GB/T900-1988	Stud AM8-48 X14X5	1
53	KD6105-1003011	Rear Ear	1
54	GB/T9074.15-1988	Subassembly Bolt M10X25	2

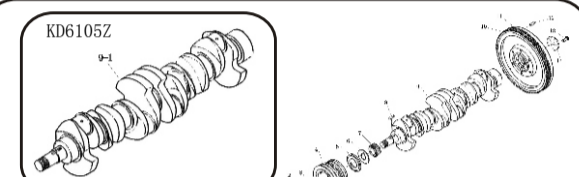


Piston Connection Rod Assembly KD6105-1004000

No.	Part No.	Description	Qty.
1	KD6105-1004003	Piston	6
1-1	KD6105Z-1004004	Piston	6
2	KD6105-1004001	The 1st Air Ring	6
2-1	KD6105Z-1004001	The 1st Air Ring	6
3	KD6105-1004002	The 2nd Air Ring	6
3-1	KD6105Z-1004002	The 2nd Air Ring	6
4	KD6105-1004100	Scraping Ring	6
4-1	KD6105Z-1004100	Scraping Ring	6
5	KD6105-1004005	Connection Rod Bushing	12
6	KD6105-1004202	Connection Rod Bolt	12
6-1	KD6105Z-1004202	Connection Rod Bolt	12
7	KD6105-1004204	Connection Rod Cover	6
7-1	KD6105Z-1004204	Connection Rod Cover	6
8	KD6105-1004203	Connection Rod	6
8-1	KD6105Z-1004203	Connection Rod	6
9	KD6105-1004201	Connection Rod Bush	6
9-1	KD6105Z-1004201	Connection Rod Bush	6
10	GB/T893.1-1986	Retainer Ring-A	12
11	KD6105-1004004	Piston Pin	6

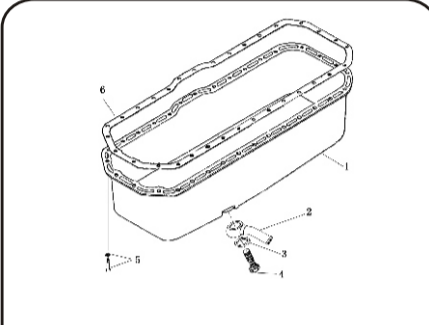
Piston Connection Rod Assembly KD6105Z-1004000

1	KD6105Z-1004003	The 3rd Air Ring	6
---	-----------------	------------------	---



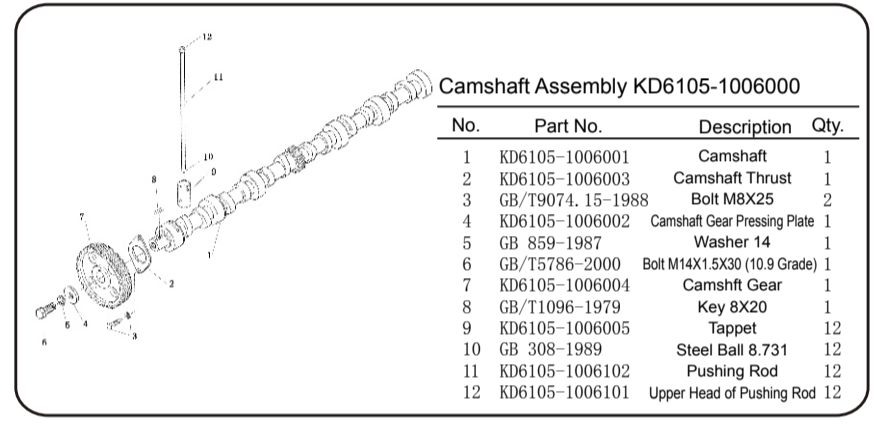
Crankshaft Flywheel Assembly KD6105-1005000

No.	Part No.	Description	Qty.
1	KD6105-1005001	Crankshaft Nut	1
2	KD6105-1005002	Gasket	1
3	KD6105-1005003	Taper Sleeve	1
4	KD6105-1005100	Belt Pulley Part	1
5	KD6105-1005011	Oil Retaining Disk	1
6	KD6105-1005009	Oil Splashing Disk	1
7	KD6105-1005006	Crankshaft Timing Gear	1
8	KD6105-1005004	Crankshaft Key	1
9	KD6105-1005005	Crankshaft	1
9-1	KD6105Z-1005005	Crankshaft	1
10	KD6105-1005202	Flywheel Gear Ring	1
11	KD6105-1005201	Flywheel	1
12	GB/T119.2-2000	Pin 12X30	1
13	KD6105-1005008	Flywheel Bolt (M16X1.5X45)	6
14	KD6105-1005007	Lock Sheet	1



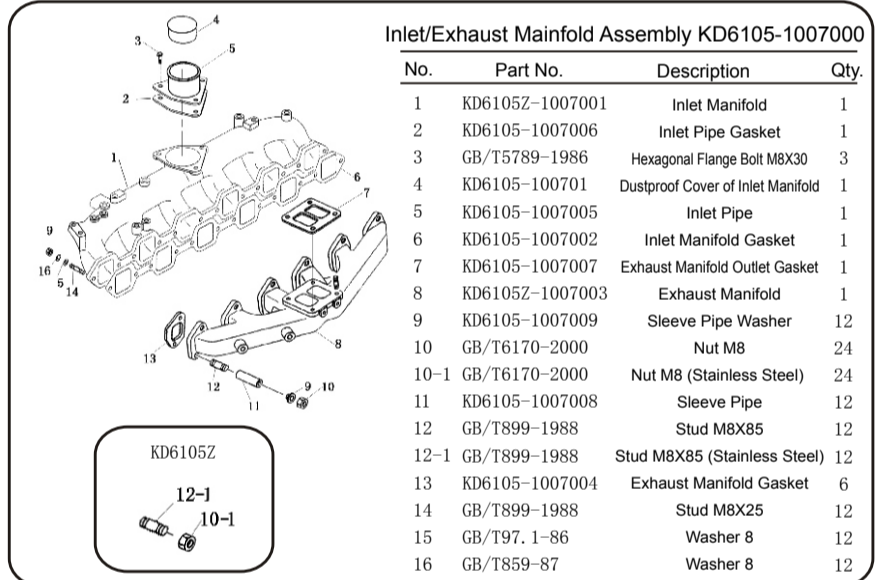
Oil Sump Assembly KD6105-1009000

No.	Part No.	Description	Qty.
1	KD6105-1009100	Oil Sump Weldment	1
2	KD6105-1009200	Oil Draining Ring	1
3	KD6105-1009003	Seal Gasket	1
4	KD6105-1009002	Oil Draining Bolt	1
5	GB/T9074.14-1988	Bolt Assembly M8X16	32
6	KD6105-1009001	Oil Sump Gasket	1



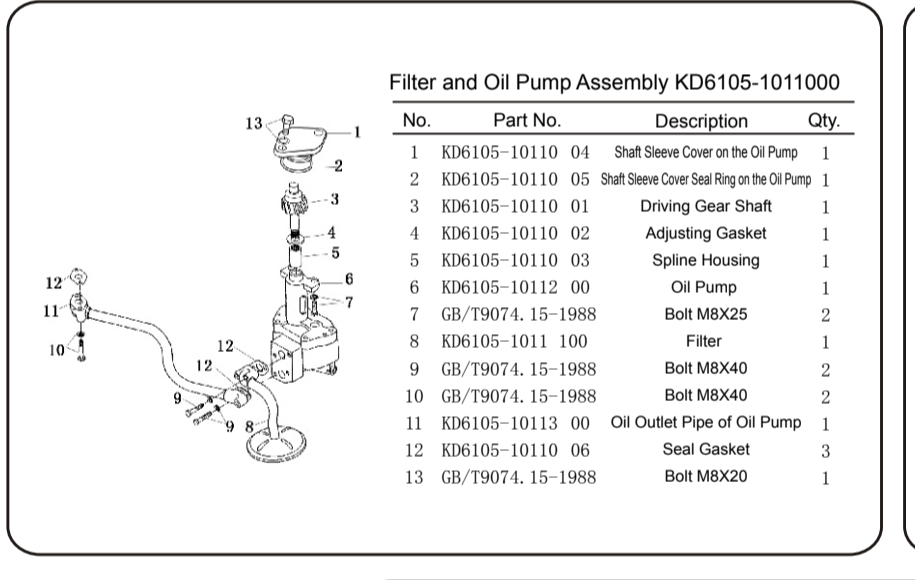
Camshaft Assembly KD6105-1006000

No.	Part No.	Description	Qty.
1	KD6105-1006001	Camshaft	1
2	KD6105-1006003	Camshaft Thrust	1
3	GB/T9074.15-1988	Bolt M8X25	2
4	KD6105-1006002	Camshaft Gear Pressing Plate	1
5	GB 859-1987	Washer 14	1
6	GB/T5786-2000	Bolt M14X1.5X30 (10.9 Grade)	1
7	KD6105-1006004	Camshaft Gear	1
8	GB/T1096-1979	Key 8X20	1
9	KD6105-1006005	Tappet	12
10	GB 308-1989	Steel Ball 8 731	12
11	KD6105-1006102	Pushing Rod	12
12	KD6105-1006101	Upper Head of Pushing Rod	12



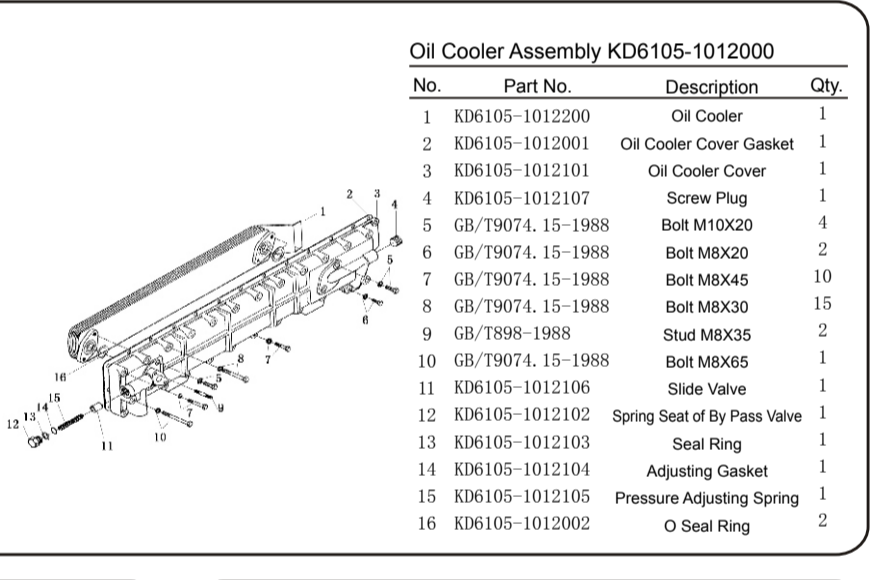
Inlet/Exhaust Manifold Assembly KD6105-1007000

No.	Part No.	Description	Qty.
1	KD6105Z-1007001	Inlet Manifold	1
2	KD6105-1007006	Inlet Pipe Gasket	1
3	GB/T5789-1986	Hexagonal Flange Bolt M8X30	3
4	KD6105-1007001	Dustproof Cover of Inlet Manifold	1
5	KD6105-1007005	Inlet Pipe	1
6	KD6105-1007002	Inlet Manifold Gasket	1
7	KD6105-1007007	Exhaust Manifold Outlet Gasket	1
8	KD6105Z-1007003	Exhaust Manifold	1
9	KD6105-1007009	Sleeve Pipe Washer	12
10	GB/T6170-2000	Nut M8	24
10-1	GB/T6170-2000	Nut M8 (Stainless Steel)	24
11	KD6105-1007008	Sleeve Pipe	12
12	GB/T899-1988	Stud M8X85	12
12-1	GB/T899-1988	Stud M8X85 (Stainless Steel)	12
13	KD6105-1007004	Exhaust Manifold Gasket	6
14	GB/T899-1988	Stud M8X25	12
15	GB/T97.1-86	Washer 8	12
16	GB/T859-87	Washer 8	12



Filter and Oil Pump Assembly KD6105-1011000

No.	Part No.	Description	Qty.
1	KD6105-10110 04	Shaft Sleeve Cover on the Oil Pump	1
2	KD6105-10110 05	Shaft Sleeve Cover Seal Ring on the Oil Pump	1
3	KD6105-10110 01	Driving Gear Shaft	1
4	KD6105-10110 02	Adjusting Gasket	1
5	KD6105-10110 03	Spline Housing	1
6	KD6105-10112 00	Oil Pump	1
7	GB/T9074.15-1988	Bolt M8X25	2
8	KD6105-1011 100	Filter	1
9	GB/T9074.15-1988	Bolt M8X40	2
10	GB/T9074.15-1988	Bolt M8X40	2
11	KD6105-10113 00	Oil Outlet Pipe of Oil Pump	1
12	KD6105-10110 06	Seal Gasket	3
13	GB/T9074.15-1988	Bolt M8X20	1



Oil Cooler Assembly KD6105-1012000

No.	Part No.	Description	Qty.
1	KD6105-1012200	Oil Cooler	1
2	KD6105-1012001	Oil Cooler Cover Gasket	1
3	KD6105-1012101	Oil Cooler Cover	1
4	KD6105-1012107	S	